

7700 Series


**product
guide**

features

- 22 ton (19.9 mt) capacity 360° on outriggers @ 8.5 ft. (2.6m) radius
- 15 ton (13.6 mt) deck carrying capacity
- 15 ton (13.6 mt) on rubber capacity
- 43 ft. (13.1m) 3-section boom or 67 ft. (20.43m) 5-section boom
- 17 ft. (5.18m) offsettable swingaway extension
- 130 bhp (97.0 kW) Cummins QSB4.5L (Tier III) diesel engine



contents

Features

2

Specifications

3

7755

Dimensions

5

7755

Working Range

6

Load Chart

7

7755

Range Diagram

8

Load Chart

9

features

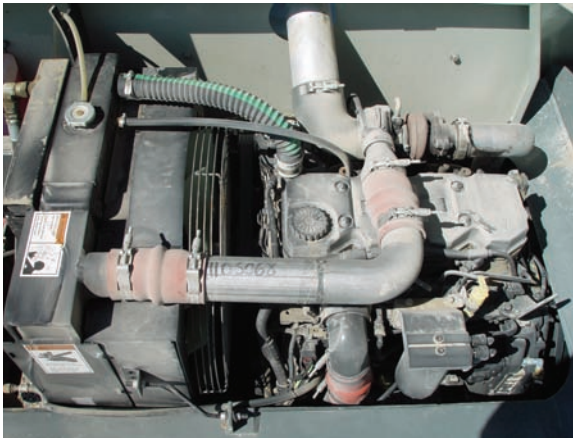
2



- Two position beam – jack style outriggers
- All beams or jacks can be extended or retracted at the same time



- Standard:** Open air cab shell w/overhead safety glass
- Optional:** Closed cab with hinged door, heater, defroster, and glass



- Standard:**
- Water-cooled Cummins QSB4.5L Turbo-charged diesel engine rated @ 130 BHP (97.0kW)
- Variable displacement piston pump w/piggyback gear pump.



- Standard:** 4-wheel drive and 4-wheel steer and crab steer with electronic self-alignment
- Standard:** 17.5 X 25 bias ply tires

7700 Series



- 43 ft. (13.1m) 3-section main boom or 67 ft. (20.42m) 5-section main boom
- 4-position pivoting boom head for low head room clearance
- Quick reeve boom head and hookblock

specifications

3

Superstructure

Boom

3-section: 19 ft. 6 in. – 43 ft. 0 in. (5.9m – 13.1m) three-section full power boom.

Maximum tip height: 51 ft. 8 in. (15.7m)

5-section : 19 ft. 6 in. – 67 ft. 0 in. (5.9m – 20.4m) five-section full power boom.

Maximum tip height: 75 ft. 0 in. (22.8m)

Boom angle indicator mounted on both sides of base section.



*Boom Extension

17 ft. (5.18m) fixed boom extension, offsettable to 30° and 60° via pivoting boom nose.

Maximum tip height: 92 ft. 0 in. (28.0m)



Boom Nose

2 sheave, 4-position (0°, + 30°, + 60°, + 80°) pivoting boom nose for minimizing head space requirements. Lowers head height 23.9 in. (0.60m) when nose is pivoted fully forward.



Boom Elevation

Two double acting hydraulic cylinders with integral holding valve.

Elevation: 0° to 80°



Anti-Two Block Device

Standard anti-two block device, when activated, provides an audible warning to the crane operator and disengages all crane functions whose movement can cause two-blocking.



Load Indicator (wireless LSI)

A simple effective and easy to use load indicating system used in conjunction with the anti-two block system to assist the operator in efficient operation of the unit within the limits of the load chart. The display panel displays the hook load and warns the operator when a preset load capacity is exceeded. The warning is by a flashing light on the display panel. In conjunction with the load display panel (receiver), there is a wireless transmitter and load sensing pin attached to the boom head that transmits the hook load to the display panel.



*Rated Capacity Limiter (wireless RCL)

Similar to the Load Indicator, but stops the telescope out and boom lift down function when a load limit is exceeded. Uses a similar display panel with the addition of displaying boom angle and boom length read outs on the panel.



*Load Moment Indicator (hardwired LMI)

Digital display of boom angle, boom length, boom radius, capacity, and allows for operator input to set the limits based on load chart. Displays color coded light bar and audible alarm with function cutout if load exceeds entered parameters.



Swing

Ball bearing swing circle with 360° continuous rotation.

Planetary swing.

Maximum speed: 2.5 rpm



Hydraulic System

Variable displacement piston pump and piggyback gear pump.

Combined flow: 74.0 gpm (280.0 Lpm)

Maximum system operating pressure: 3600 p.s.i.

Six section valve bank, chassis mounted, operated via dash mounted, pilot pressure hydraulic joysticks.

Return line filter with full flow by-pass protection and service indicator.

60.0 gallon (227 L) hydraulic reservoir with sight level gauge and steel side plating to guard against side impact damage.



Hoist Specifications

Piston motor drive with spring applied / hyd. released brake.

Two speed power up and down.

Maximum Single Line Pull: 13,800 lb. (6260kg)

Maximum Single Line Speed: 320 fpm (97.5m/min)

Maximum Permissible Single Line Pull: 11,000 lb (4990kg)
(5/8" [16.0mm] XIPS)

Rope Length (Std): 375 ft. (114.3m)

*Denotes optional equipment

7700 Series

specifications

4

Carrier

Frame

High strength alloy steel constructed with integral outrigger housings; front and rear tie-down lugs. 60 ft.² carrydeck size with 30,000 lb (13 608kg) deck only carrying capacity & 20,000 lb (9 072kg) combined with boom load. Deck coated with anti-skid treatment.

Outriggers

2- stage hydraulic telescoping beam with vertical jack at the four corners provides extended and down and retracted and down lifting capacities. Integral holding valves on both beam and jack.

Outrigger Controls

Three switch operation mounted on dash panel. One 3- position rocker switch to select all beams / jacks, left beams / jacks only, or right beams / jacks only. Separate 4- way toggle switch to activate beams out / in and jacks down / up. Level bubble indicator located inside operators compartment.

Outrigger pad size: 11.5 in. x 11.5 in. (29.2cmx29.2cm)

*Independent outrigger controls available as an option.

Std. Engine

Cummins QSB 4.5L turbo-charged diesel rated @ 130 bhp (97kW) @ 2500 rpm with engine block heater.

Operators Control Station

Frame mounted, open air style control station with cab shell includes all crane functions, driving controls, and overhead safety glass. Other standard equipment includes a durable weather resistant seat with seat belt, hourmeter, sight level bubble, and fire extinguisher. The dash panel includes engine oil pressure gauge, engine water temperature gauge, fuel gauge, transmission low oil and high temperature warning lights, low battery warning light, and brake system low pressure warning light. The LSI (load indicator) receiver is mounted to the top of the dash.

*Operators Control Station Enclosed

Includes the standard cab shell with the addition of front, right and rear glass. Hinged full door with sliding glass.

Front windshield wiper, heater and defroster are included.

Fuel Tank Capacity

50 gallon (189 L) all steel construction with steel side plate to guard against side impact. Fuel gauge located on dash panel in operators station.

Electrical System

One 12V maintenance free battery, 820CCA @ 0°.
63 amp alternator.

Drive

4 x 4 – Front and rear axle drive with planetary hubs and limited slip differential.

Steer

Standard: 3-steering modes:

Front 2-wheel, 4-wheel coordinated, and crab steer w/ electronic self alignment. Rotary switch select on dash panel.

Transmission

Clark powershift 4-speeds forward and reverse. Stalk mounted shifter on left side of steering column.

Tires

17.5 x 25 Bias (std.)

*17.5 R 25 radial

Brakes

Hydraulic actuated internal wet-disc service brakes acting on all four wheels. A dash mounted toggle switch activates the dry disc parking brake on the transmission output yoke with a dash warning light.

Suspension

Front: Rigid mounted to frame.

Rear: Provides 3.5° oscillation for use on semi-rough terrain.

Axle lock-out switch, on dash panel, to engage / disengage the axle lock-out. Axle lock-out must be engaged (locked) whenever picking on rubber and when traveling in the crab steer mode. A warning light indicates when the axle lock-outs are engaged.

Lights

Recessed mounted, includes head, tail, rear work, stop, and turn signals.

Maximum Speed

19.5 MPH (31.3km/h)

Gradeability**

63%....no load

38%....30,000lb (13 608kg) load

G.V.W.

7755: 41,270 lb. (18 720kg)

Miscellaneous Standard Equipment

Two sheaves, "Quick Reeve" style 22T (19.9m) hookblock

Back-up alarm

Dual rearview mirrors

Outrigger motion alarm

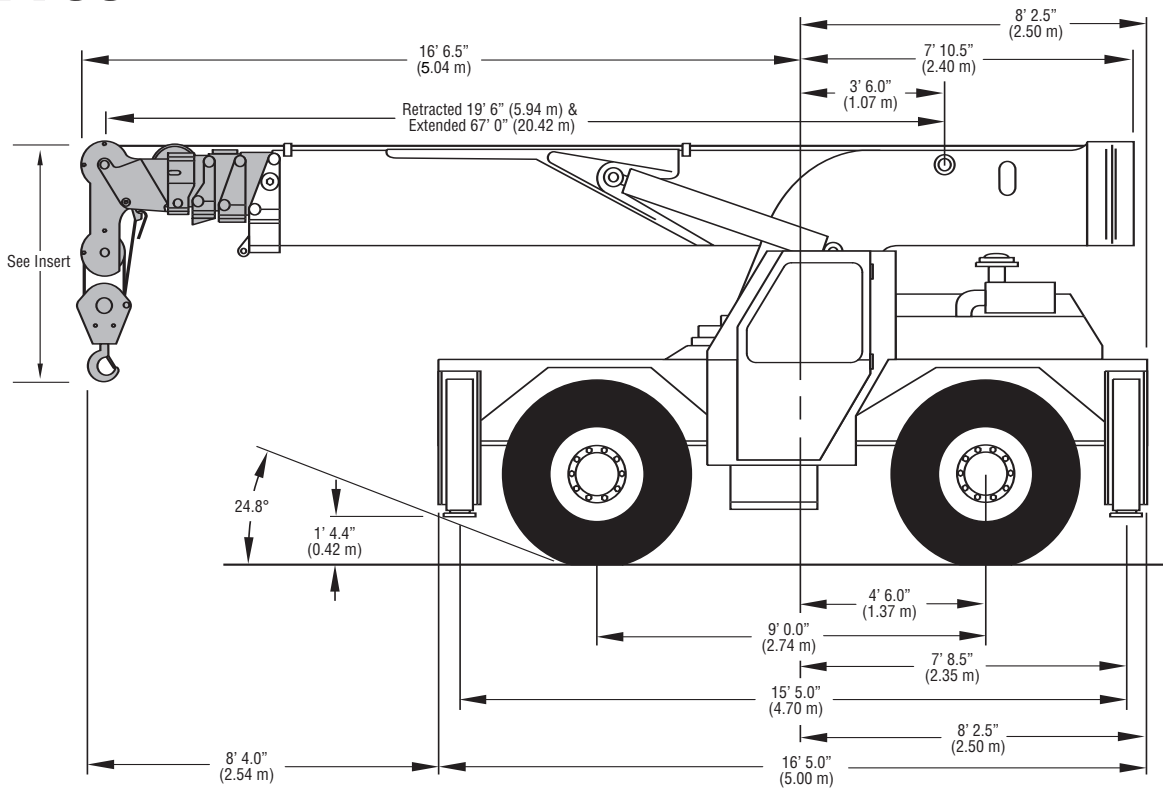
Lifting and tie down lugs

*Denotes optional equipment

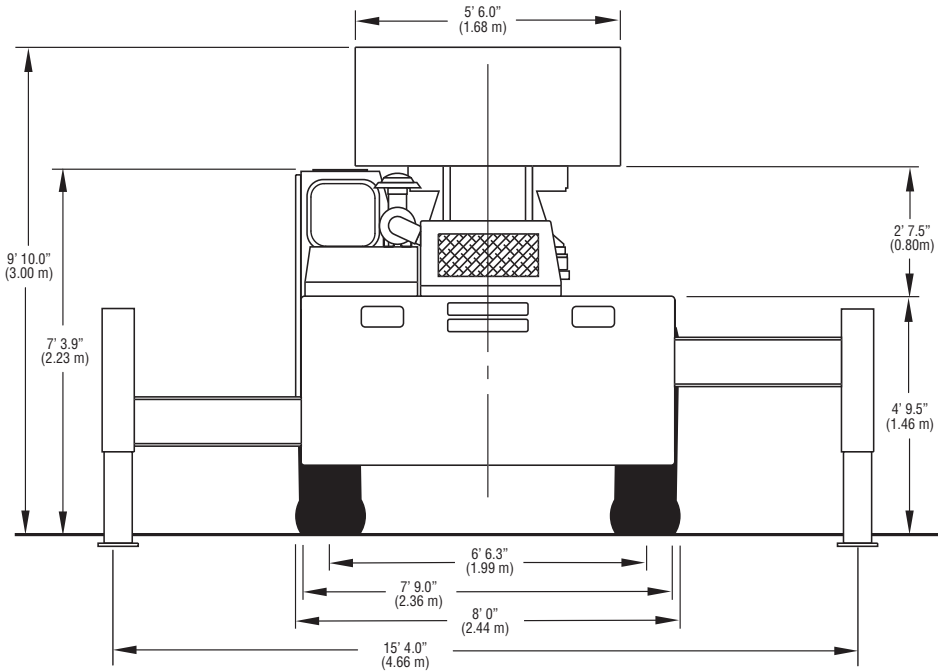
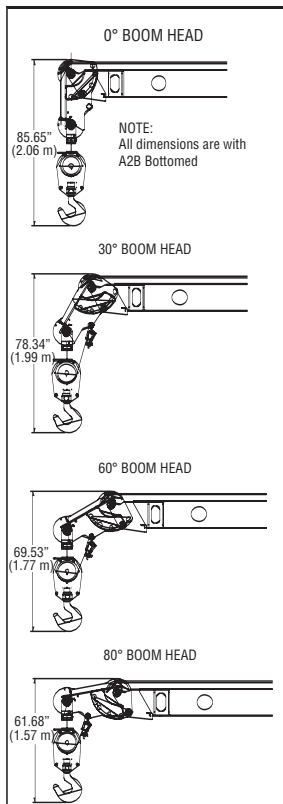
**Theoretical

dimensions

7755



5

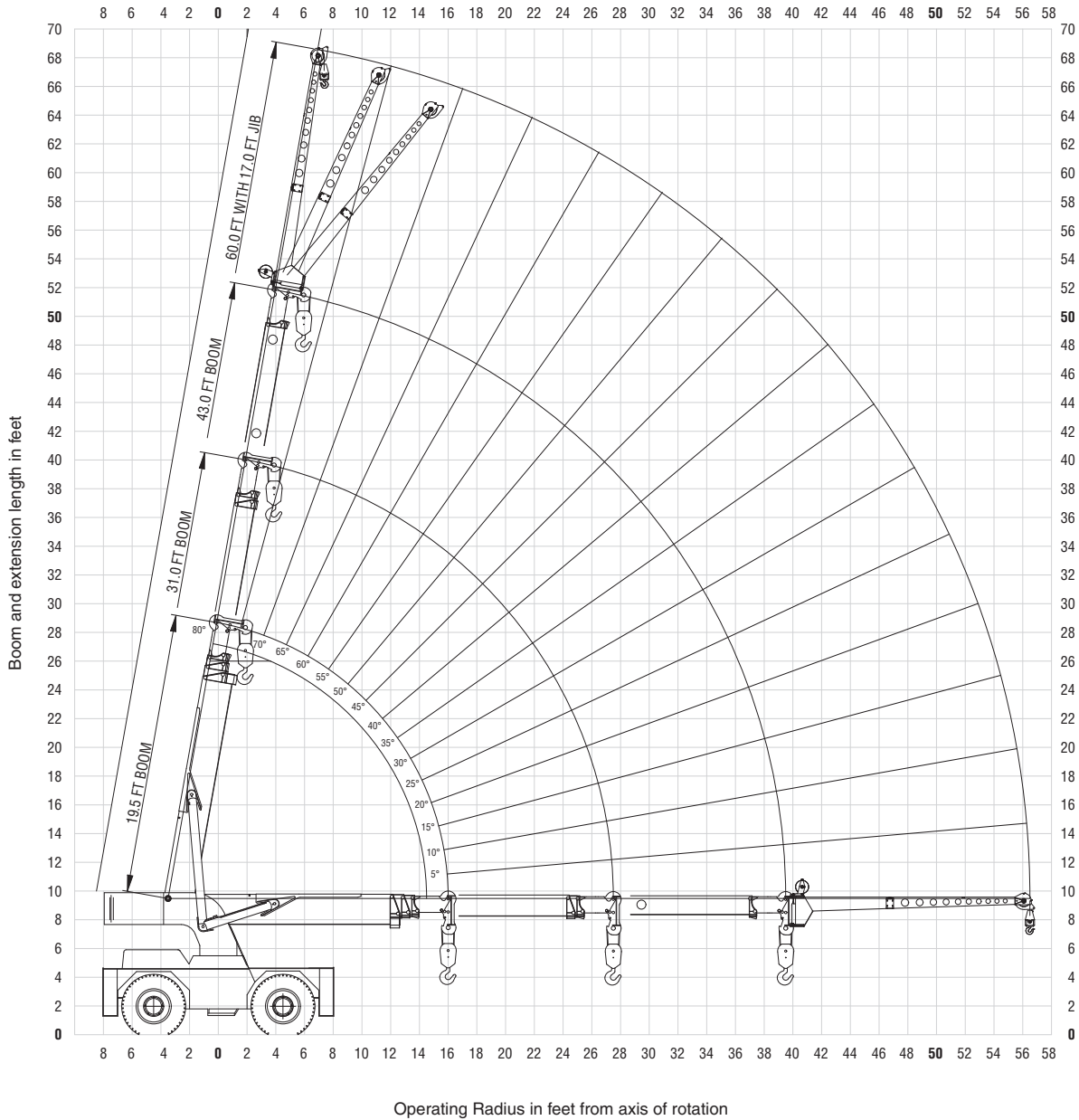


7700 Series

range diagram

7755 (3-section boom)

6



7700 Series

THIS CHART IS ONLY A GUIDE AND SHOULD NOT BE USED TO OPERATE THE CRANE. The individual crane's load chart, operating instructions and other instructional plates must be read and understood prior to operating the crane.

load chart

7755 (3-section boom)

7

MAIN BOOM LOAD RATINGS ON OUTRIGGERS Extended and Down 360° or Retracted and Down Front/Rear								MAIN BOOM LOAD RATINGS ON OUTRIGGERS Retracted and Down 360°													
Radius (ft)	19.5 ft Boom		20.5-30 ft Boom		31 ft Boom		32-42 ft Boom		43 ft Boom		Radius (ft)	19.5 ft Boom		20.5-30 ft Boom		31 ft Boom		32-42 ft Boom		43 ft Boom	
	Boom Angle (deg)	Rated Load (lbs)	Rated Load (lbs)	Rated Load (lbs)	Rated Load (lbs)	Rated Load (lbs)	Rated Load (lbs)	Rated Load (lbs)	Rated Load (lbs)	Rated Load (lbs)		Boom Angle (deg)	Rated Load (lbs)	Rated Load (lbs)	Rated Load (lbs)	Rated Load (lbs)	Rated Load (lbs)	Rated Load (lbs)	Rated Load (lbs)	Rated Load (lbs)	Rated Load (lbs)
8.5	58	44000	26500	71	26500	25400	76	25400	8.5	58	31000	26500	71	26500	25400	76	25400				
10	52	40000	31600	68	31600	28000	74	28000	10	52	24000	22300	68	22300	22000	74	22000				
12	44	33800	30500	64	30500	25000	72	25000	12	44	17200	16300	64	16300	16300	72	17000				
14	33	28500	28500	59	28500	22600	69	22600	14	33	13300	12500	59	12500	12500	69	13600				
16	0	24900	24900	55	25700	20000	66	20000	16	0	10200	9800	55	9800	9800	66	11100				
18	-	-	22800	50	22800	17900	63	17900	18	-	-	7900	50	7900	7900	63	9100				
20	-	-	20200	45	20200	16100	60	16100	20	-	-	6500	45	6500	6500	60	7500				
22	-	-	17800	39	17800	14600	56	14600	22	-	-	5300	39	5300	5300	56	6200				
24	-	-	-	31	15360	13300	53	13300	24	-	-	4300	31	4300	4300	53	5200				
26	-	-	-	22	13250	12300	49	12300	26	-	-	3500	22	3500	3500	49	4400				
27.5	-	-	11600	0	11600	11600	47	11600	27.5	-	-	2900	0	2900	2900	47	3900				
30	-	-	-	-	-	9900	42	10500	30	-	-	-	-	-	2600	42	3200				
32	-	-	-	-	-	8800	37	9800	32	-	-	-	-	-	2300	37	2700				
34	-	-	-	-	-	7800	32	8700	34	-	-	-	-	-	1900	32	2300				
36	-	-	-	-	-	7100	26	7800	36	-	-	-	-	-	1750	26	1900				
39.5	-	-	-	-	-	6400	0	6400	39.5	-	-	-	-	-	1400	0	1400				

Radius (ft)	MAIN BOOM ON RUBBER	
	Any Boom Length	
	Front Rating (lbs)	360° Rating (lbs)
6	30000	21000
8	28000	17900
10	25000	15000
12	19600	12400
14	15600	9900
16	12700	7700
18	10300	6300
20	8300	4900
22	6800	3900
24	5800	3100
26	4900	2500
28	4200	2100
30	3700	1800
32	3300	1550
34	3000	1300
36	2700	1100
38	2500	950
40	2200	800

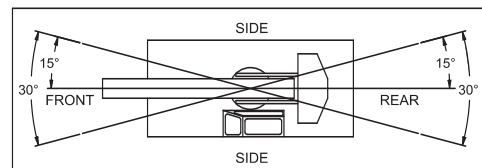
Main Boom Angle (deg)	17 FT JIB CAP. ON EXT. OUTRIGGERS (lbs)		
	Jib Offset Angle		
	0 deg	15 deg	30 deg
80	-	5000	3500
75	7500	4400	3100
70	6100	3900	2800
65	5000	3500	2550
60	4300	3150	2350
55	3800	2850	2200
50	3400	2600	2100
45	3050	2400	2000
40	2800	2250	1950
35	2600	2150	1900
30	2400	2080	1830
25	2300	2050	-
20	2200	2000	-
15	2100	1950	-
10	2050	-	-
5	2020	-	-
0	2000	-	-

SHADED AREAS ARE GOVERNED BY STRUCTURAL STRENGTH, DO NOT RELY ON TIPPING.

OPERATION OF THIS EQUIPMENT IN EXCESS OF RATING CHARTS AND DISREGARD OF INSTRUCTIONS IS DANGEROUS AND VOIDS WARRANTY.

MAXIMUM PERMISSIBLE SINGLE LINE PULL = 11,000 lbs

HOIST ROPE: 5/8" diameter
6 x 19 XIPS IWRC BRIGHT
Min. req'd breaking strength = 38,500 lbs



- The rated loads are the maximum lifting capacities as determined by operating radius, boom length, and boom angle. The operating radius is the horizontal distance from a projection of the axis of rotation to the supporting surface, before loading, to the center of vertical hoist line or tackle with load applied.
- Rated load columns for discrete boom lengths apply when actual boom length is within +/- 1.0 ft of discrete length. For other boom lengths, use appropriate intermediate boom length column.
- For operating radius not shown, use load rating of next larger radius.
- The rated loads shown on outriggers do not exceed 85% of actual tipping. The rated loads shown on rubber do not exceed 75% of actual tipping. These ratings are based on freely suspended loads with the crane leveled, standing on a firm, uniform supporting surface. Practical working loads depend on supporting surface, operating radius and other factors affecting stability. Hazardous surroundings, climatic conditions, experience of personnel and proper handling must all be taken into account by the operator.
- The weights of all load handling devices such as hooks, hook blocks, slings, etc., except the hoist rope, shall be considered as part of the load. See reduction chart.
- Ratings on outriggers are for either outriggers fully extended and down or fully retracted and down. Ratings for outriggers fully retracted and down will apply for any intermediate outrigger setting.
- Ratings on rubber depend on tire capacity, condition of tires and proper inflation pressure (110 psi). Loads on rubber may be transported at a maximum speed of 2.5 mph on a smooth hard level surface with boom retracted to the shortest length possible and centered over front. For 360° ratings on rubber, rear axle oscillation locks must be in place. Do not use jib with crane on rubber.
- The maximum combined total boom and deck load is 20,000 lbs. The maximum deck load only is 30,000 lbs.
- Do not induce any external side loads to boom or jib.

	RATING REDUCTIONS FOR LOAD HANDLING DEVICES INSTALLED (lbs)	
	FROM MAIN BOOM	FROM JIB
MAIN BLOCK	400	N/A
HOOK & BALL	100	100
JIB STOWED	0	N/A
JIB DEPLOYED	500	0

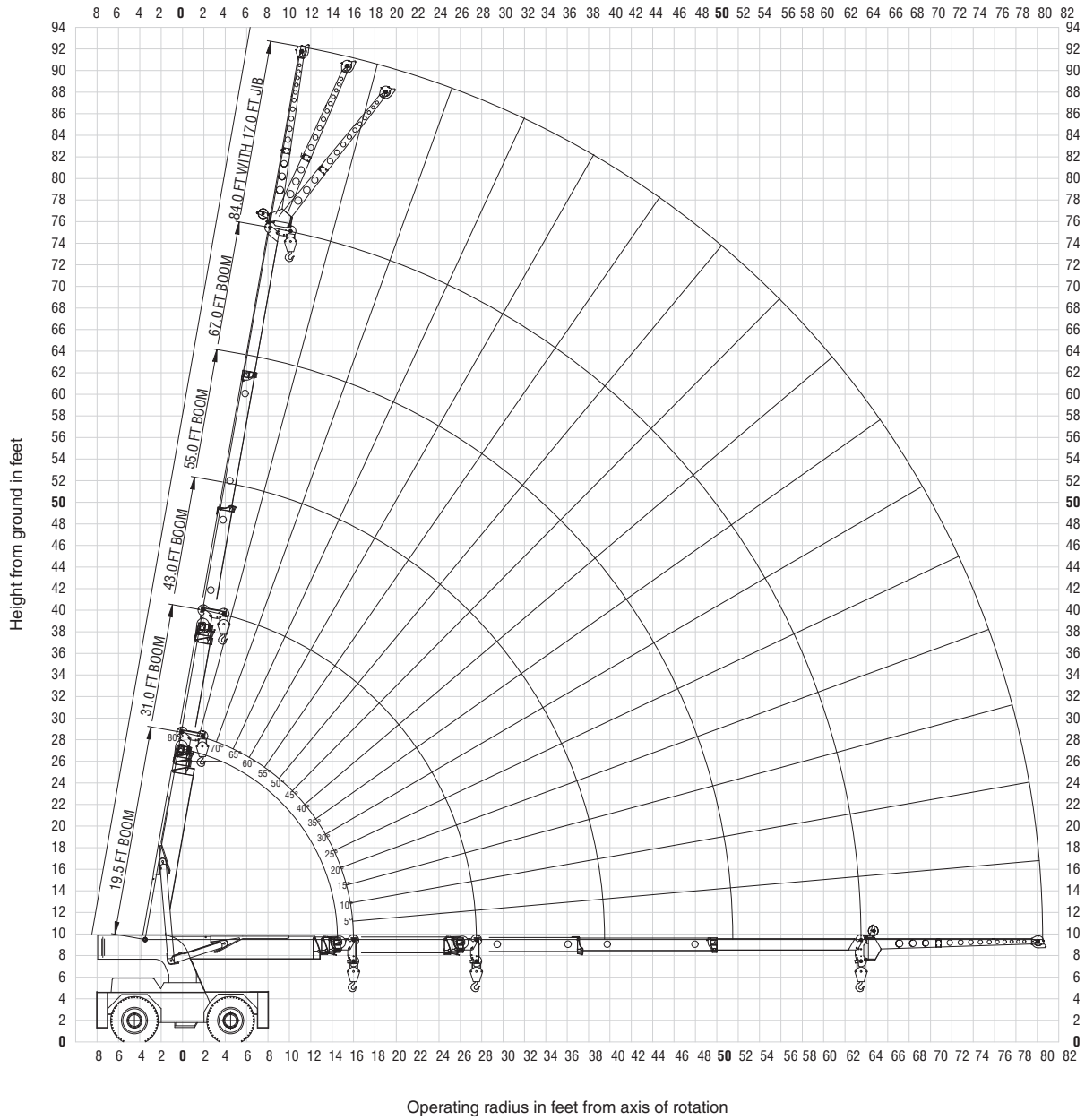
THIS CHART IS ONLY A GUIDE AND SHOULD NOT BE USED TO OPERATE THE CRANE. The individual crane's load chart, operating instructions and other instructional plates must be read and understood prior to operating the crane.

7700 Series

range diagram

7755 (5-section boom)

8



7700 Series

THIS CHART IS ONLY A GUIDE AND SHOULD NOT BE USED TO OPERATE THE CRANE. The individual crane's load chart, operating instructions and other instructional plates must be read and understood prior to operating the crane.

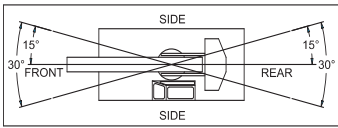
load chart

7755 (5-section boom)

9

MAIN BOOM LOAD RATINGS ON OUTRIGGERS Extended and Down 360° or Retracted and Down Front/Rear													
Radius (ft)	Boom Angle (deg)	19.5 ft Boom	20.5-30 ft Boom	31 ft Boom	32-42 ft Boom	43 ft Boom	44-54 ft Boom	55 ft Boom	56-66 ft Boom	67 ft Boom			
		Rated Load (lbs)	Rated Load (lbs)	Rated Load (lbs)	Rated Load (lbs)	Rated Load (lbs)	Rated Load (lbs)	Rated Load (lbs)	Rated Load (lbs)	Rated Load (lbs)	Rated Load (lbs)	Rated Load (lbs)	Rated Load (lbs)
8.5	58	44000	26500	-	25400	76	25400	19500	79	19500	-	-	-
10	52	40000	26500	68	26500	25400	74	25400	78	19500	-	-	-
12	44	38000	26300	64	24200	24200	72	24200	76	17600	-	-	-
14	33	28500	22900	59	22900	22600	69	22600	74	16100	14500	78	14500
16	0	23700	20900	55	20900	20000	66	20000	71	14800	12200	75	12200
18	-	-	19300	50	19300	17900	63	17900	69	13700	11200	73	11200
20	-	-	17800	45	17800	16100	60	16100	67	12800	10400	71	10400
22	-	-	16400	39	16400	14600	56	14600	64	12000	9700	69	9700
24	-	-	14700	31	14700	13300	53	13300	62	11200	9100	67	9100
26	-	-	13200	22	13200	12300	49	12300	60	10600	8600	66	8600
27.5	-	-	11600	0	11600	11600	47	11600	58	10200	8200	64	8200
30	-	-	-	-	-	9500	42	10500	55	9400	7700	62	7700
32	-	-	-	-	-	8800	37	9800	52	8700	7300	60	7300
34	-	-	-	-	-	7800	32	8700	49	8100	6900	58	6900
36	-	-	-	-	-	7100	26	7800	46	7600	6600	56	6600
38	-	-	-	-	-	6500	18	7000	43	7100	6300	53	6300
39.5	-	-	-	-	-	6400	0	6400	41	6800	6100	52	6100
42	-	-	-	-	-	-	-	5700	36	6300	5800	49	5800
44	-	-	-	-	-	-	-	5300	32	5800	5500	47	5500
46	-	-	-	-	-	-	-	4900	28	5300	5300	44	5300
48	-	-	-	-	-	-	-	4600	23	4800	4900	42	5000
50	-	-	-	-	-	-	-	4400	16	4400	4400	39	4700
51.5	-	-	-	-	-	-	-	4000	0	4000	4000	37	4600
54	-	-	-	-	-	-	-	-	-	-	3800	33	4200
56	-	-	-	-	-	-	-	-	-	-	3600	29	3900
58	-	-	-	-	-	-	-	-	-	-	3400	25	3600
60	-	-	-	-	-	-	-	-	-	-	3200	20	3300
62	-	-	-	-	-	-	-	-	-	-	3000	14	3000
63.5	-	-	-	-	-	-	-	-	-	-	2800	0	2800

RATING REDUCTIONS FOR LOAD HANDLING DEVICES INSTALLED (lbs)		
	FROM MAIN BOOM	FROM JIB
MAIN BLOCK	400	N/A
HOOK & BALL	100	100
JIB STOWED	0	N/A
JIB DEPLOYED	500	0



1) The rated loads are the maximum lifting capacities as determined by operating radius, boom length, and boom angle. The operating radius is the horizontal distance from a projection of the axis of rotation to the supporting surface, before loading, to the center of vertical hoist line or tackle with load applied.

2) Rated load columns for discrete boom lengths apply when actual boom length is within +/- 1.0 ft. of discrete length. For other boom lengths, use appropriate intermediate boom length column.

3) For operating radius not shown, use load rating of next larger radius.

4) The rated loads shown on outriggers do not exceed 85% of actual tipping. The rated loads shown on rubber do not exceed 75% of actual tipping. These ratings are based on freely suspended loads with the crane leveled, standing on a firm, uniform supporting surface. Practical working loads depend on supporting surface, operating radius and other factors affecting stability. Hazardous surroundings, climatic conditions, experience of personnel and proper handling must all be taken into account by the operator.

5) The weights of all load handling devices such as hooks, hook blocks, slings, etc., except for the hoist rope, shall be considered as part of the load. See reduction chart.

6) Ratings on outriggers are for either outriggers fully extended and down or fully retracted and down. Ratings for outriggers fully retracted and down will apply for any intermediate outrigger setting.

7) Ratings on rubber depend on tire capacity, condition of tires and proper inflation pressure (110 psi). Loads on rubber may be transported at a maximum speed of 2.5 mph on a smooth hard level surface with boom retracted to the shortest length possible and centered over front. For 360° ratings on rubber, rear axle oscillation locks must be in place. Do not use jib with crane on rubber.

8) The maximum combined total boom and deck load is 20,000 lbs. The maximum deck load only is 30,000 lbs.

9) Do not induce any external side loads to boom or jib.

MAIN BOOM LOAD RATINGS ON OUTRIGGERS Retracted and Down 360°														
Radius (ft)	Boom Angle (deg)	19.5 ft Boom	20.5-30 ft Boom	31 ft Boom	32-42 ft Boom	43 ft Boom	44-54 ft Boom	55 ft Boom	56-66 ft Boom	67 ft Boom				
		Rated Load (lbs)	Rated Load (lbs)	Rated Load (lbs)	Rated Load (lbs)	Rated Load (lbs)	Rated Load (lbs)	Rated Load (lbs)	Rated Load (lbs)	Rated Load (lbs)	Rated Load (lbs)	Rated Load (lbs)	Rated Load (lbs)	Rated Load (lbs)
8.5	58	31000	26500	71	26500	25400	76	25400	19500	79	19500x	-	-	
10	52	24000	22300	68	22300	22000	74	22000	17600	78	19500	-	-	
12	44	17200	16300	64	16300	16300	72	17000	17000	76	17100	14500	78	14500
14	33	13300	12500	59	12500	12500	69	13600	13600	74	14000	13200	77	13200
16	0	10200	9800	55	9800	9800	66	11100	11100	71	11200	11200	75	11500
18	-	-	7900	50	7900	7900	63	9100	9100	69	9300	9300	73	9400
20	-	-	6500	45	6500	6500	60	7500	7500	67	7800	7700	71	7700
22	-	-	5300	39	5300	5300	56	6200	6200	64	6600	6500	69	6500
24	-	-	4300	31	4300	4300	53	5200	5200	62	5600	5600	67	5600
26	-	-	3500	22	3500	3500	49	4400	4400	60	4800	4800	66	5000
27.5	-	-	2900	0	2900	2900	47	3900	3900	58	4300	4300	64	4600
30	-	-	-	-	-	2600	42	3200	3200	55	3600	3600	62	3900
32	-	-	-	-	-	2300	37	2700	2700	52	3100	3100	60	3400
34	-	-	-	-	-	1900	32	2300	2300	49	2700	2700	58	2900
36	-	-	-	-	-	1750	26	1900	1900	46	2300	2300	56	2500
38	-	-	-	-	-	1500	18	1600	1600	43	2000	2000	53	2100
39.5	-	-	-	-	-	1400	0	1400	1400	41	1750	1750	52	1850
42	-	-	-	-	-	-	-	1150	36	1450	1450	49	1500	
44	-	-	-	-	-	-	-	1000	32	1200	1200	47	1300	
46	-	-	-	-	-	-	-	850	28	1000	1000	44	1100	
48	-	-	-	-	-	-	-	750	23	850	850	42	950	
50	-	-	-	-	-	-	-	650	16	700	700	39	800	
51.5	-	-	-	-	-	-	-	600	0	600	600	37	700	
54	-	-	-	-	-	-	-	-	-	-	450	33	500	
56	-	-	-	-	-	-	-	-	-	-	350	29	350	
58	-	-	-	-	-	-	-	-	-	-	250	25	250	
60	-	-	-	-	-	-	-	-	-	-	150	20	150	
62	-	-	-	-	-	-	-	-	-	-	50	14	50	
63.5	-	-	-	-	-	-	-	-	-	-	-	0	-	

Radius (ft)	MAIN BOOM ON RUBBER	
	Any Boom Length	
	Front Rating (lbs)	360° Rating (lbs)
6	30000	21000
8	28000	17900
10	25000	15000
12	19800	12400
14	15500	9500
16	12400	7400
18	9900	6000
20	8100	4800
22	6800	3700
24	5700	3000
26	4900	2350
28	4200	2100
30	3700	1800
32	3300	1550
34	3000	1300
36	2700	1100
38	2500	950
40	2200	800
42	2000	675
44	1800	550
46	1650	450
48	1400	350
50	1300	250
52	1150	200
54	1050	150
56	950	75
58	875	25
60	800	-
62	700	-
63.5	600	-

SHADED AREAS ARE GOVERNED BY STRUCTURAL STRENGTH, DO NOT RELY ON TIPPING.

OPERATION OF THIS EQUIPMENT IN EXCESS OF RATING CHARTS AND DISREGARD OF INSTRUCTIONS IS DANGEROUS AND VOIDS WARRANTY.

MAXIMUM PERMISSIBLE SINGLE LINE PULL = 11,000 lbs

WIRE ROPE: 5/8 inch dia. 6 x 19 XIPS IWRC BRIGHT
Min. req'd breaking strength = 38,500 lbs

17 FT JIB CAPACITIES ON EXTENDED OUTRIGGERS					
Main Boom Angle (deg)	Jib Offset Angle				
	0 deg		15 deg		30 deg
	To 55.0 ft Main Boom	To 67.0 ft Main Boom	To 55.0 ft Main Boom	To 67.0 ft Main Boom	Any Boom Length
80	-	-	5000	5000	3500
75	7500	-	4400	4400	3100
70	6100	-	3900	3900	2800
65	5000	4600	3500	3500	2550
60	4300	3800	3150	3150	2350
55	3800	3300	2850	2850	2200
50	3400	2900	2600	2600	2100
45	3050	2600	2400	2400	2000
40	2800	2400	2250	2250	1950
35	2600	2150	2150	2150	1900
30	2400	1930	2080	1850	1830
25	2300	1750	2050	1720	-
20	2200	1600	2000	1590	-
15	2100	1500	1950	1520	-
10	2050	1460	-	-	-
5	2020	1450	-	-	-
0	2000	1440	-	-	-

THIS CHART IS ONLY A GUIDE AND SHOULD NOT BE USED TO OPERATE THE CRANE. The individual crane's load chart, operating instructions and other instructional plates must be read and understood prior to operating the crane.

Regional Headquarters

Americas

Manitowoc, Wisconsin, USA

Tel: +1 920 684 6621

Fax: +1 920 683 6278

Shady Grove, Pennsylvania, USA

Tel: +1 717 597 8121

Fax: +1 717 597 4062

Regional Offices

Americas

Brazil

Alphaville

Tel: +55 11 3103 0200

Fax: +55 11 4688 2013

Mexico

Monterrey

Tel: +52 81 8124 0128

Fax: +52 81 8124 0129

Europe, Middle East, Africa

Algeria

Hydra

Tel: +21 3 21 48 1173

Fax: +21 3 21 48 1454

Czech Republic

Netvorice

Tel: +420 317 78 9313

Fax: +420 317 78 9314

France

Baudemont

Tel: +33 385 28 2589

Fax: +33 385 28 0430

Cergy

Tel: +33 130 31 3150

Fax: +33 130 38 6085

Decines

Tel: +33 472 81 5000

Fax: +33 472 81 5010

Germany

Langenfeld

Tel: +49 21 73 8909-0

Fax: +49 21 73 8909 30

Hungary

Budapest

Tel: +36 13 39 8622

Fax: +36 13 39 8622

Italy

Parabiago

Tel: +390 331 49 3311

Fax: +390 331 49 3330

Europe, Middle East, Africa

Ecully, France

Tel: +33 472 18 2020

Fax: +33 472 18 2000

Netherlands

Breda

Tel: +31 76 578 3999

Fax: +31 76 578 3978

Poland

Warsaw

Tel: +48 22 843 3824

Fax: +48 22 843 3471

Portugal

Alfena

Tel: +351 229 69 8840

Fax: +351 229 69 8848

Lisbon

Tel: +351 212 109 340

Fax: +351 212 109 349

Russia

Moscow

Tel: +7 495 641 2359

Fax: +7 495 641 2358

U.A.E.

Dubai

Tel: +971 4 3381 861

Fax: +971 4 3382 343

U. K.

Middlesex

Tel: +44 1 895 43 0053

Fax: +44 1 895 45 9500

Sunderland

Tel: +44 191 522 2000

Fax: +44 191 522 2052

Asia – Pacific

Australia

Brisbane

38 Suscatand Street

Rocklea Queensland 4106

Tel: +617 3274 5879

Fax: +617 3274 6558

Melbourne

1/46 Venture Drive

Sunshine West VIC 3020

Tel: +(03) 9336 1322

Fax: +(03) 9336 1300

Sydney

142 Magowar Road

Girraween, NSW 2145

Tel: +61 02 9896 4433

Fax: +61 02 9896 3122

Asia – Pacific

Shanghai, China

Tel: +86 21 51113579

Fax: +86 21 51113578

Singapore

Tel: +65 6264 1188

Fax: +65 6862 4142

China

Beijing

Tel: +86 21 58674761

Fax: +86 21 58674760

Xi'an

Tel: +86 29 87891465

Fax: +86 29 87884504

Korea

Seoul

Tel: +82 2 3439 0400

Fax: +82 2 3439 0405

Philippines

Makati City

Tel: +63 2 844 9437

Fax: +63 2 844 4712

Factories

Brazil

Alphaville

China

Zhangjiagang

France

Charlieu

La Clayette

Moulins

Germany

Wilhelmshaven

India

Calcutta

Pune

Italy

Niella Tanaro

Portugal

Baltar

Fânzeres

Slovakia

Saris

U.S.A.

Manitowoc

Port Washington

Shady Grove



Constant improvement and engineering progress make it necessary that we reserve the right to make specification, equipment and price changes without notice. Illustrations shown may include optional equipment and accessories, and may not include all standard equipment.