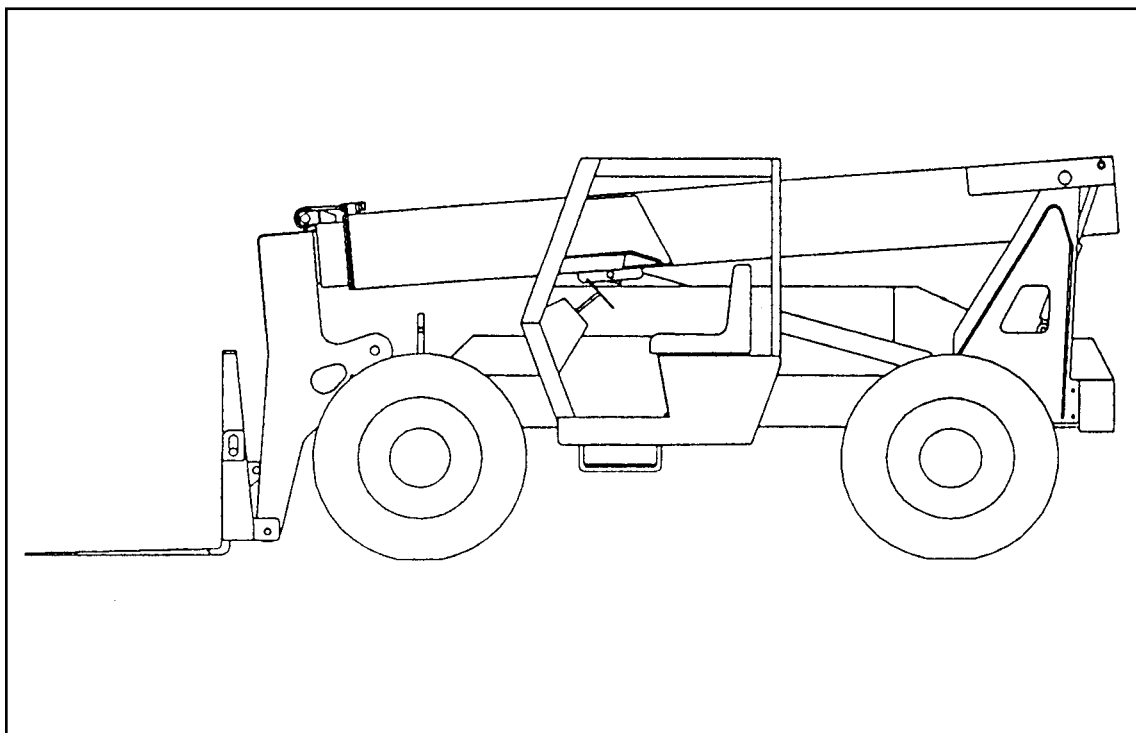


Form No.
907365
Replaces
906147

883

Dynalift[®] Telescopic Forklift



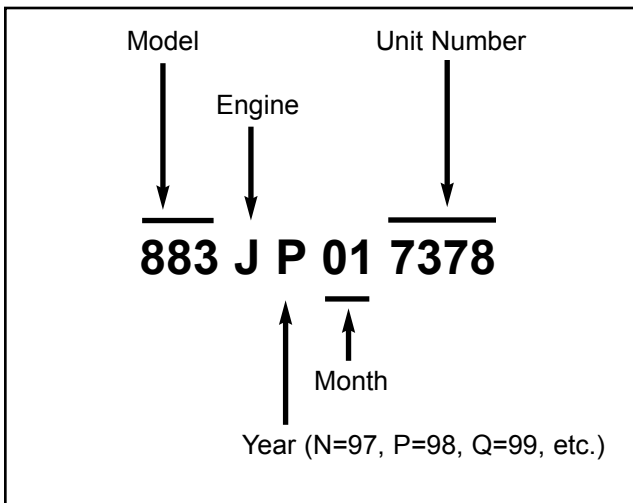
SERVICE PARTS

GEN[®]

The table of contents page shows the page location of various component groups on the machine.

When ordering service parts, specify the correct part number, full description, quantity required, and the unit model and serial number.

Model and serial numbers for this unit are stamped on a plate located inside the operator's station. The serial number is also stamped on the top front frame. The following reference shows the breakdown of the serial number:



“Right” and “Left” are determined from a position standing behind the unit and facing the direction of travel.

GEHL Company reserves the right to make changes or improvements in the design or construction of any part of the unit without incurring the obligation to install such changes on any unit previously delivered.

NOTE: *On original tire replacement, company policy prohibits the sale of replacement tires for all GEHL machinery. Replacement wheel sets are available and tire size information is called out with the wheel sets to facilitate replacement tire selection. ALL REPLACEMENT TIRES MUST BE PURCHASED LOCALLY.*

Grease fittings and common attaching hardware, such as cotter pins, set screws, woodruff keys, screws, nuts, etc., are included in the parts list, indented below the part it is (they are) associated with, but NOT illustrated, except where a particular routing or special fastening arrangement MUST be maintained. The hardware listed is for mounting purposes and is NOT included when the part is ordered for replacement.

Standard attaching hardware torque values are provided on the inside Back Cover. Unless otherwise specified, all cap screws are Grade 5, cadmium or zinc plated; hexagon nuts for Grade 5 cap screws or bolts are Grade A.

List of Abbreviations Used in this Manual

AR	As Required
ASY	Assembly
CYL	Cylinder
DIA	Diameter
FT	Foot or Feet
GR	Grade
HYD	Hydraulic
LH	Left Hand
LT	Left
NPTF	National Pipe Threaded Fitting
NSS	Not Sold Separately
RH	Right Hand
RT	Right
W/	With

Page	Page
Introduction Inside Front Cover	
Table Of Contents	1
Decal Locations	3
Chassis, Tanks & Covers Section	
Operator's Station	
Outside Area & Inner Panels	14
Dash Area	16
Floor Area	18
Fuel Tank/Front Inner Frame Area Group	20
Rear Inner Frame Area Group	22
Hoods & Covers	24
Outrigger Assembly	26
Cab Assembly (No A/C)	28
Cab Air Conditioning	32
Boom Components Section	
Outer Boom Section Group	34
Intermediate Section Group	36
Inner Boom Section Group	38
Standard Carriage Attachment Group	40
Fork Shift Carriage Attachment Group	42
Rotate Carriage Attachment Group	44
Swing Carriage Attachment Group	46
Truss Boom & Bucket Attachment Group	50
6 Ft. Mast Attachment (Old Style)	52
6 Ft. Mast Attachment (New Style)	54
Axles & Service Brakes Section	
Power Brake/Master Cylinder Assembly	56
Axle Planetary & Wheel Group	58
Brake Caliper Assembly	60
Axle Outer Knuckle End Group	62
Axle Differential Carrier Group	64
Electrical System Section	
Main Electrical Schematic	66
Light Package Wiring Hookup	74
Cab Environment Wiring Hookup w/o A/C	78
Cab Environment Wiring Hookup w/ A/C	80
Ether Start Wiring Hookup	84
Hydraulic Systems Section	
Tank Return & Manifold Plumbing	86
Brake Control Plumbing	88
Steering Plumbing	90
Frame Level Plumbing	92
Boom Extend Plumbing	94
Boom Lift Plumbing	96
Boom Carrier Tilt/Slave Plumbing	98
Auxilliary Hydraulic Plumbing	100
Fork Shift Carriage Attachment Plumbing	102
Rotate Carriage Attachment Plumbing	104
Swing Carriage Attachment Plumbing	106
Winch Attachment Plumbing	108
6 Ft. Mast Attachment Plumbing (Old Style)	110
6 Ft. Mast Attachment Plumbing (New Style)	112
Outriggers Option Plumbing (Ext. Lock Valves)	114
Outriggers Option Plumbing (Int. Lock Valves)	116
Power Train	
Transmission,	
External Components Group	118
Internal Components Group	120
Radiator/Coolers Group	122
Air Intake Group	124
Exhaust Group	126
External Engine/Fuel Lines Group	128
Hydraulic Components Section	
Steer Cylinder	130
Frame Level Cylinders	132
Boom Lift Cylinders	136
Boom Extend Cylinders	142
Carrier Slave Cylinder	148
Attachment Tilt Cylinders	156
Outrigger Cylinders	162
Fork Shift Cylinder	166
Rotate Carriage Cylinder	168
Swing Carriage Cylinder	170
6 Ft. Mast Extend Cylinder (Old Style)	174
6 Ft. Mast Extend Cylinder (New Style)	176
Gear Pump	178
Power Steering Motor	182
Winch Assembly	184
V40 Valve	186
V30 Valve	188
4-Way Joystick Controller	190
2-Way Joystick Controller	192
Frame Level Control Valve	194
Outrigger Control Valve	196
Priority Flow Divider	198
2 GPM Flow Divider	200
Joystick Relief	202
Outrigger Relief	204
Lock Valve	206
Winch Relief	208
Steer Select Valve (Old Style)	210
Steer Select Solenoid Valve (New Style)	212
Miscellaneous Components Section	
Numerical Index	214
Standard Fasteners Table	226
Hardware Torque Specs	Inside Back Cover

NOTES

GENERAL INFORMATION



ALWAYS read and follow the safety precautions on decals. Replace decals if they are damaged, or if the unit is repainted. If repainting, **BE SURE** that all applicable decals are affixed in their proper locations.

Decal Locations information is provided to assist in the proper selection and application of new decals, in the event the original decal(s) become(s) damaged or the machine is repainted.

For correct replacement of decal(s) compare the location illustrations to your machine before starting to refinish the unit. Check-off each required decal using the illustration reference number to find the part number, description and quantity in the list. Refer to the appropriate illustration(s) for replacement location(s).

NEW DECAL APPLICATION

Before applying the new decals, surfaces must be free from dirt, dust, grease and other foreign material. To apply a solid-formed decal, remove the smaller portion of the decal backing paper and apply this part of the exposed adhesive backing to the clean surface while maintaining proper position and alignment. Slowly peel off the other portion of the backing paper while applying hand pressure to smooth-out decal surface. To apply a die-cut decal, first remove the backing paper. Then, properly orient and position the decal onto the clean mounting surface. After the decal is firmly applied and smoothly pressed down, remove the front covering paper.

PAINT FINISH

Use this list to order paint for refinishing:

For Units From S/N 7355 & Up Except 7357, 7358:

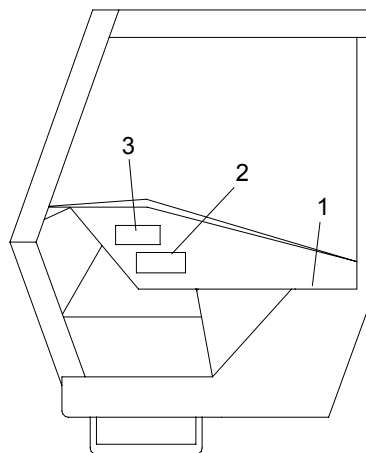
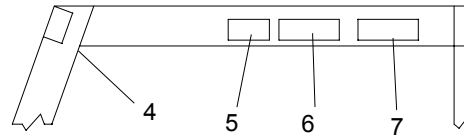
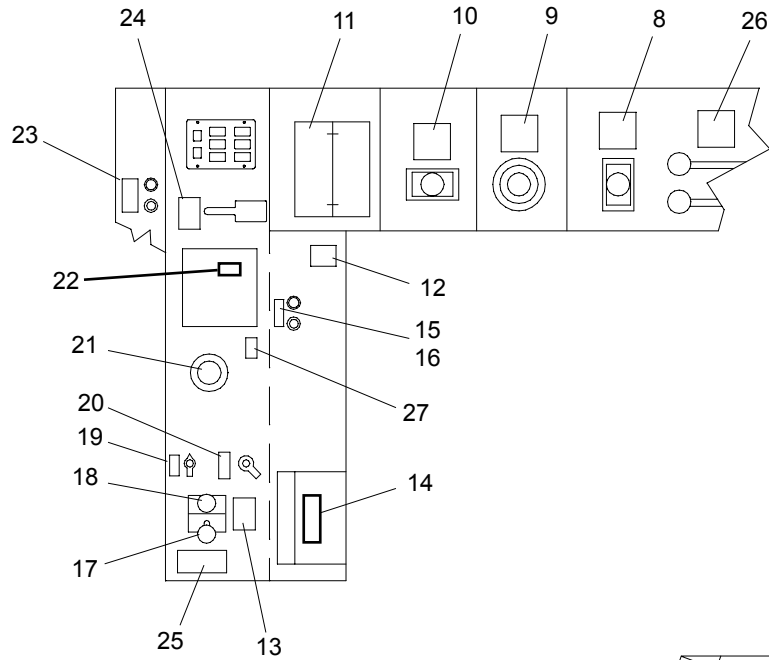
906213	One Gal. Yellow
906317	One Gal. Charcoal Grey
906214	6 (12 oz. Spray Cans) Yellow
906318	6 (12 oz. Spray Cans) Charcoal Grey

Decal Kits

L98861	S/N 7355 & Up Except 7357 & 7358
L500175	S/N thru 7354, including 7357, 7358

NOTE: *Decals may be purchased in kits or individually.*

Inside Operator Station Area
Units S/N 7355 & Up, Except 7357, 7358

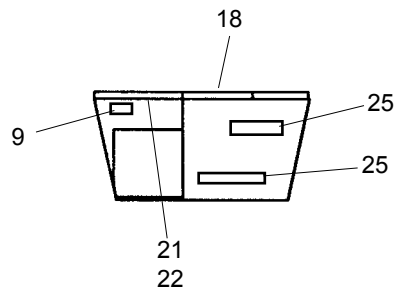
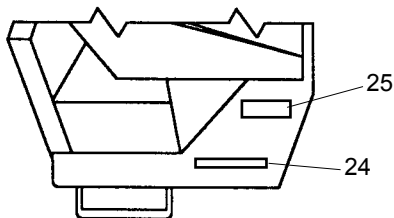
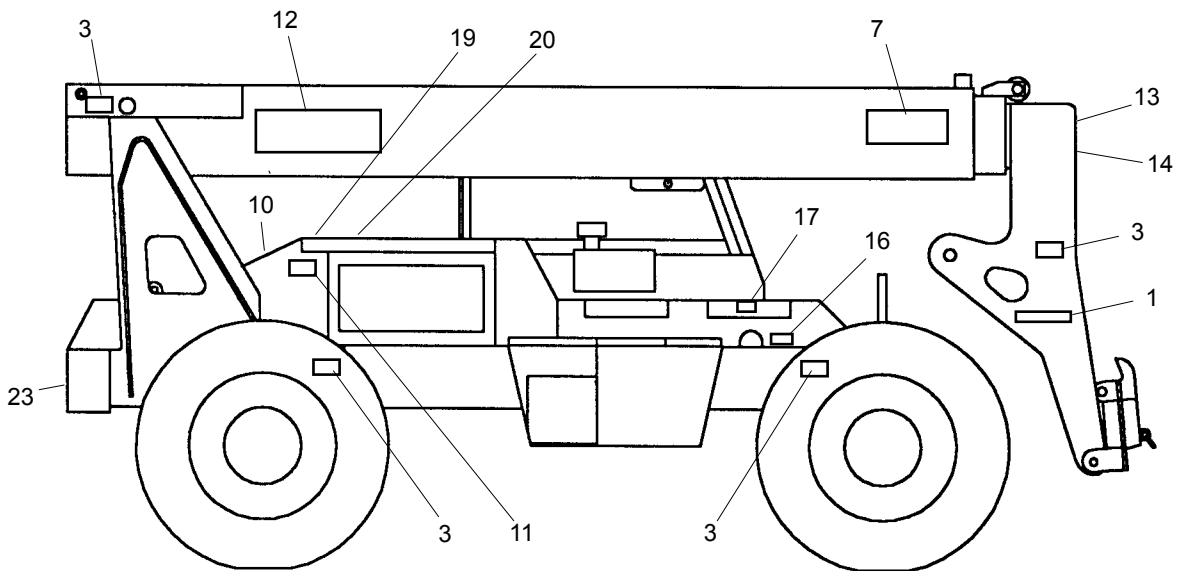
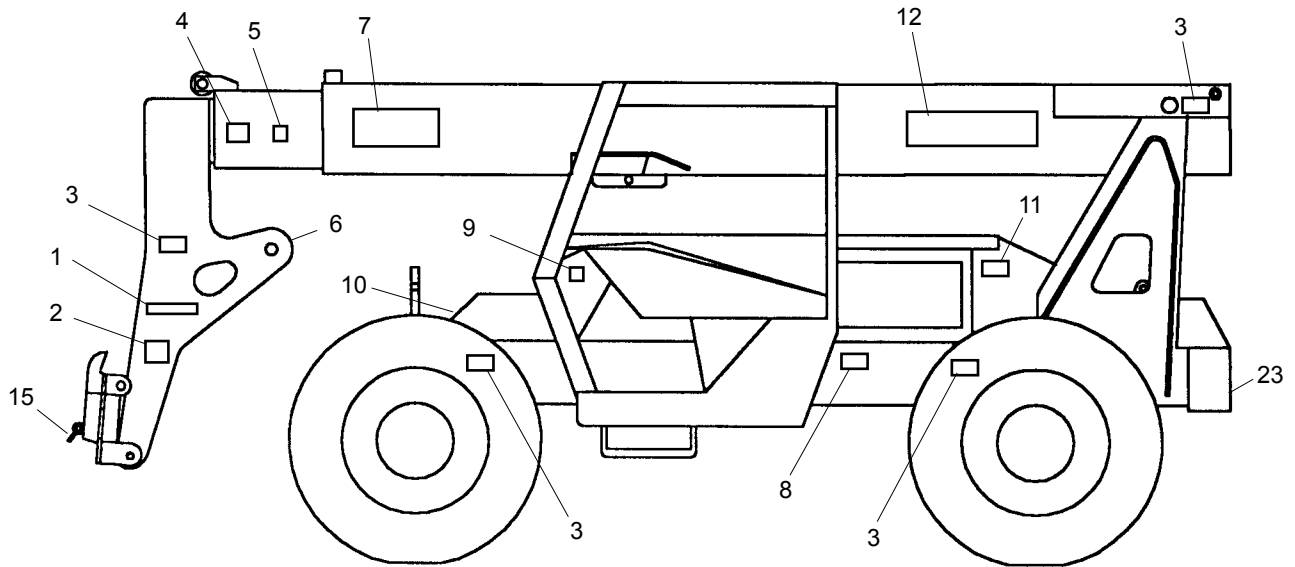


1011-77.dwg/83dec1.wmf

Inside Operator Station Area
Units S/N 7355 & Up, Except 7357, 7358

Ref. No.	Part No.	Description	Qty. Req.	Ref. No.	Part No.	Description	Qty. Req.
<i>NOTE: Decals may be ordered as kit or individually.</i>				12	094951	MADE IN U.S.A.	1
	L98861	DECAL KIT - 883		13	L65440	WARNING - SEAT BELT	1
01	L65934	BRAKE FLUID LEVEL 1 (On Seat Mount Panel)		14	L65922	OPER. MANUAL INSIDE	1
02	L65928	DANGER - PERSONNEL LIFT.... 1		15	L68052	IGN. SW./HORN BUTTON	1
03	L66042	WARNING - TRUSS BOOM TILT .. 1		16	L68513	IGN. SW/HORN BUTTON.....	1
04	093475	WARNING - CARRY LOAD LOW.. 1		17	L60936	F-N-R SHIFT	1
05	L65930	WARNING - MACHINE LEVEL... 1		18	L64945	1-2-3 SHIFT.....	1
06	L65929	DANGER - HIGH VOLTAGE..... 1		19	L64797	CLUTCH DUMP SWITCH	1
07	L65948	DANGER - PANEL IN PLACE 1		20	L64814	STEER SELECT	1
08	L64810	FRAME LEVEL CONTROL..... 1		21	L66582	GEHL, 2" DIA.	1
09	L64812	BOOM CONTROL	1	22	L65923	WARNING - BRAKE FAILURE	1
10	L65208	ATTACHMENT CONTROL	1	23	L64643	HYD. PRESS. SETTINGS	1
11	L97963	LOAD CHART SET - INCL:		24	L65925	WARNING - PARK BRAKE.....	1
	L65198	STD./ROTATE CARR. 883	1	25	L63690	WARNING - OPERATOR	1
	L65207	SWING CARR. 883.....	1	26	L65138	OUTRIGGERS CONTROL.....	1
	L65648	WINCH - 883	1	27	L65512	AUTO-TROLL	1
	L65438	BUCKET - 883	1				
	L65594	6 FT. MAST EXTENSION 883....	1				

Frame & Boom Area
Units S/N 7355 & Up, Except 7357, 7358

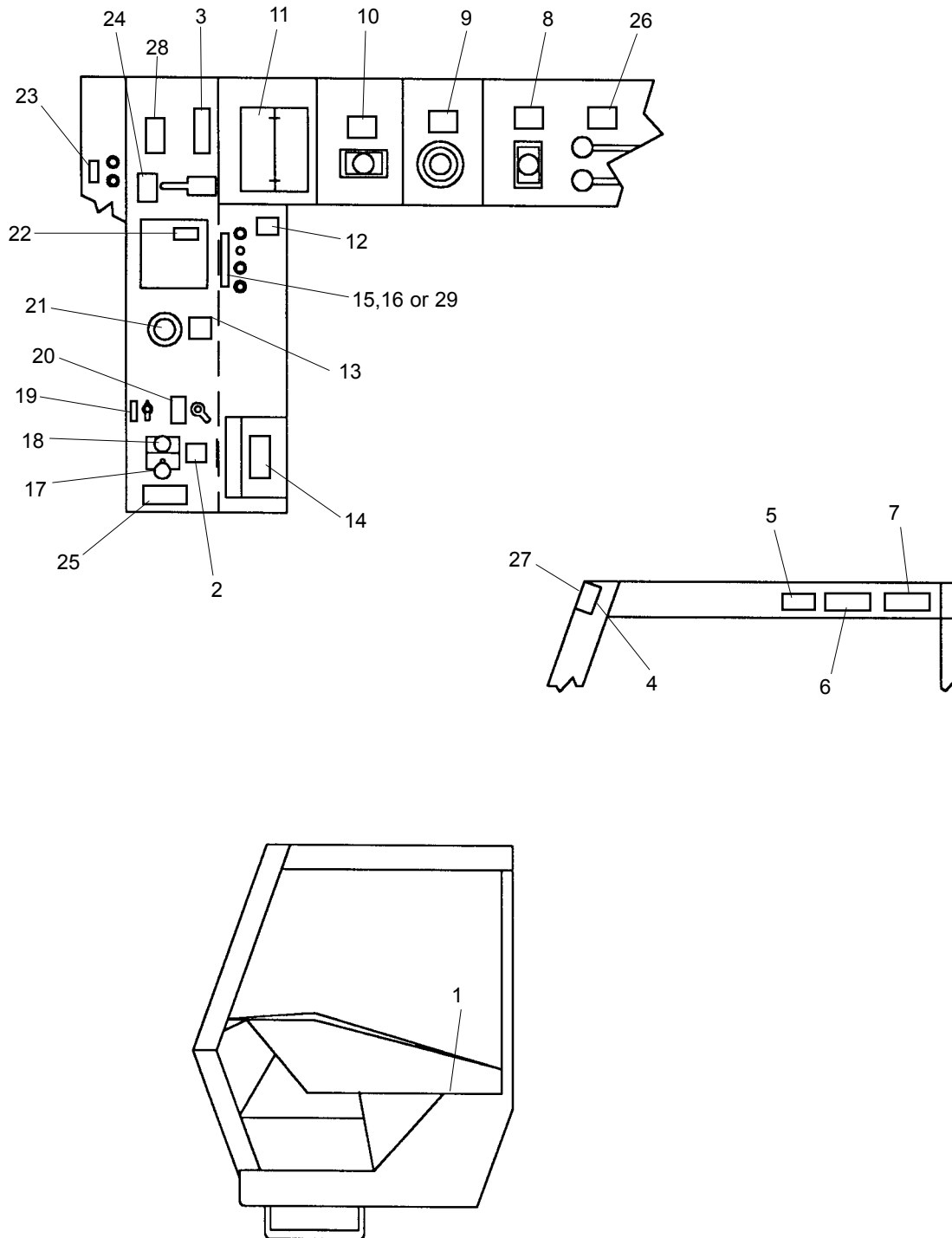


590-5014/63dec2.tif

Frame & Boom Area
Units S/N 7355 & Up, Except 7357, 7358

Ref. No.	Part No.	Description	Qty. Req.	Ref. No.	Part No.	Description	Qty. Req.
<i>NOTE: Decals may be purchased as kit or individually.</i>				08	L65933	DANGER - JUMP START	1
	L98861	DECAL KIT - 883	1	09	L65932	WARNING - NO RIDERS	1
01	L66569	DYNATTACH, 1-1/8"	2	10	L65920	GREASE DAILY	2
02	L65937	DYNATTACH DIAGRAM	1	11	L65924	DANGER - ROTATE FAN	2
03	L65927	WARNING - PINCH PONT	10	12	L66567	GEHL, 8.0"	2
04		BOOM EXTEND MARKERS (Operator Side)		13	L66584	GEHL, 2.0"	1
	L62573	NO. "6"	1	14	L65928	DANGER - PERSONNEL LIFT	1
	L62574	NO. "8"	1	15	L66613	DYNATTACH UNLOCK (Red Stripe)	1
	L62575	NO. "10"	1	16	L65921	HYD. OIL LEVELS	1
	L62576	NO. "12"	1	17	072794	HYD. OIL FILL	1
	L62577	NO. "14"	1	18	072797	DIESEL FUEL	1
	L62578	NO. "16"	1	19	072798	COOLANT UNDER PRESS.	1
	L62579	NO. "18"	1	20	056859	ANTI-FREEZE	1
	L62580	NO. "20"	1	21	L65931	LUBE CHART	1
	L62581	NO. "22"	1	22	L68083	FILTER REFERENCE CHART	1
	L62582	NO. "24"	1	23	L66565	GEHL, 4.5"	1
05	L62583	ODD FT. MARKER (Oper. Side)	9	24	L66568	DYNALIFT, 2.0"	2
06	L65926	WARNING - CARRY LOAD LOW	1	25	L64012	AUTOTROL	2
07	L66579	883	2				

Inside Operator Station Area
Units Thru S/N 7354, Incl. 7357, 7358

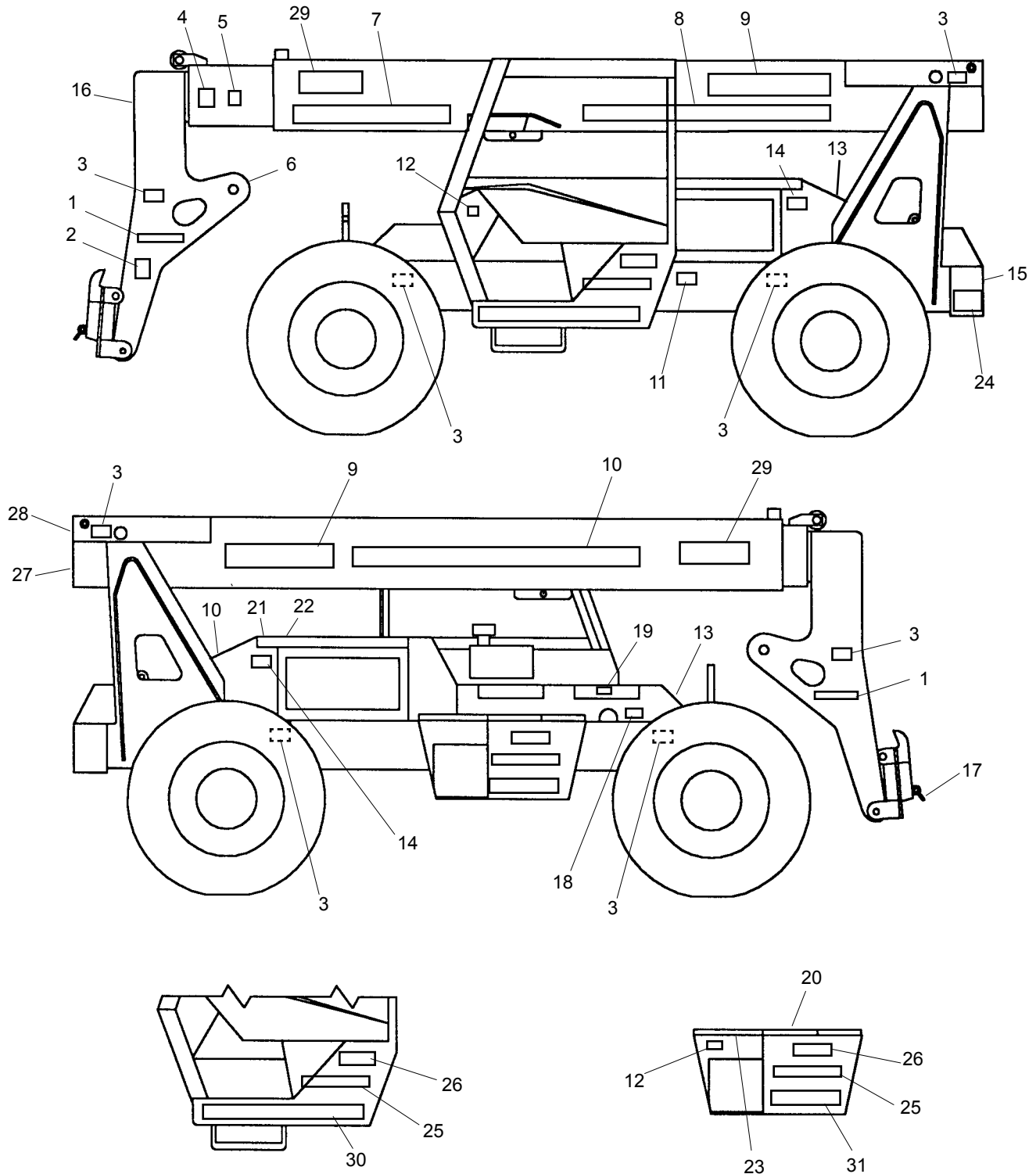


1011-77/83dec1.tif

Inside Operator Station Area
Units Thru S/N 7354, Incl. 7357, 7358

Ref. No.	Part No.	Description	Qty. Req.	Ref. No.	Part No.	Description	Qty. Req.
<i>NOTE: Decals may be ordered as kit or individually.</i>				12	094951	MADE IN U.S.A.	1
01	L500175	DECAL KIT - 883		13	L65440	WARNING - SEAT BELT	1
	L65934	BRAKE FLUID LEVEL 1 (On Seat Mount Panel)	1	14	L65922	OPER. MANUAL INSIDE	1
02	L65928	DANGER - PERSONNEL LIFT....	1	15	L64815	IGN. SW./START BUTTON....	1
03	L66042	WARNING - TRUSS BOOM TILT ..	1	16	L64816	PARK BRAKE LT./HORN BUTT....	1
04	093475	WARNING - CARRY LOAD LOW ..	1	17	L60936	F-N-R SHIFT	1
05	L65930	WARNING - MACHINE LEVEL....	1	18	L64945	1-2-3 SHIFT	1
06	L65929	DANGER - HIGH VOLTAGE.....	1	19	L64797	CLUTCH DUMP SWITCH	1
07	L65948	DANGER - PANEL IN PLACE	1	20	L64814	STEER SELECT	1
08	L64810	FRAME LEVEL CONTROL.....	1	21	L65224	GEHL, 2" DIA.	1
09	L64812	BOOM CONTROL	1	22	L65923	WARNING - BRAKE FAILURE....	1
10	L65208	ATTACHMENT CONTROL	1	23	L64643	HYD. PRESS. SETTINGS	1
11	L68567	LOAD CHART ASY. - INCL:		24	L65925	WARNING - PARK BRAKE.....	1
	L65198	STD./ROTATE CARR. 883	1	25	L63690	WARNING - OPERATOR	1
	L65195	15 FT. TRUSS BOOM 883	1	26	L65138	OUTRIGGERS CONTROL	1
	L65207	SWING CARR. 883.....	1	27	082346	ROPS GEHL STRIP.....	1
	L65648	WINCH - 883	1	28	L65512	AUTO TROLL RPM	1
	L65438	BUCKET - 883	1	29	L68513	IGNITION/HORN	1
	L65594	6 FT. MAST EXTENSION 883....	1				

Frame & Boom Area
Units Thru S/N 7354, Incl. 7357, 7358

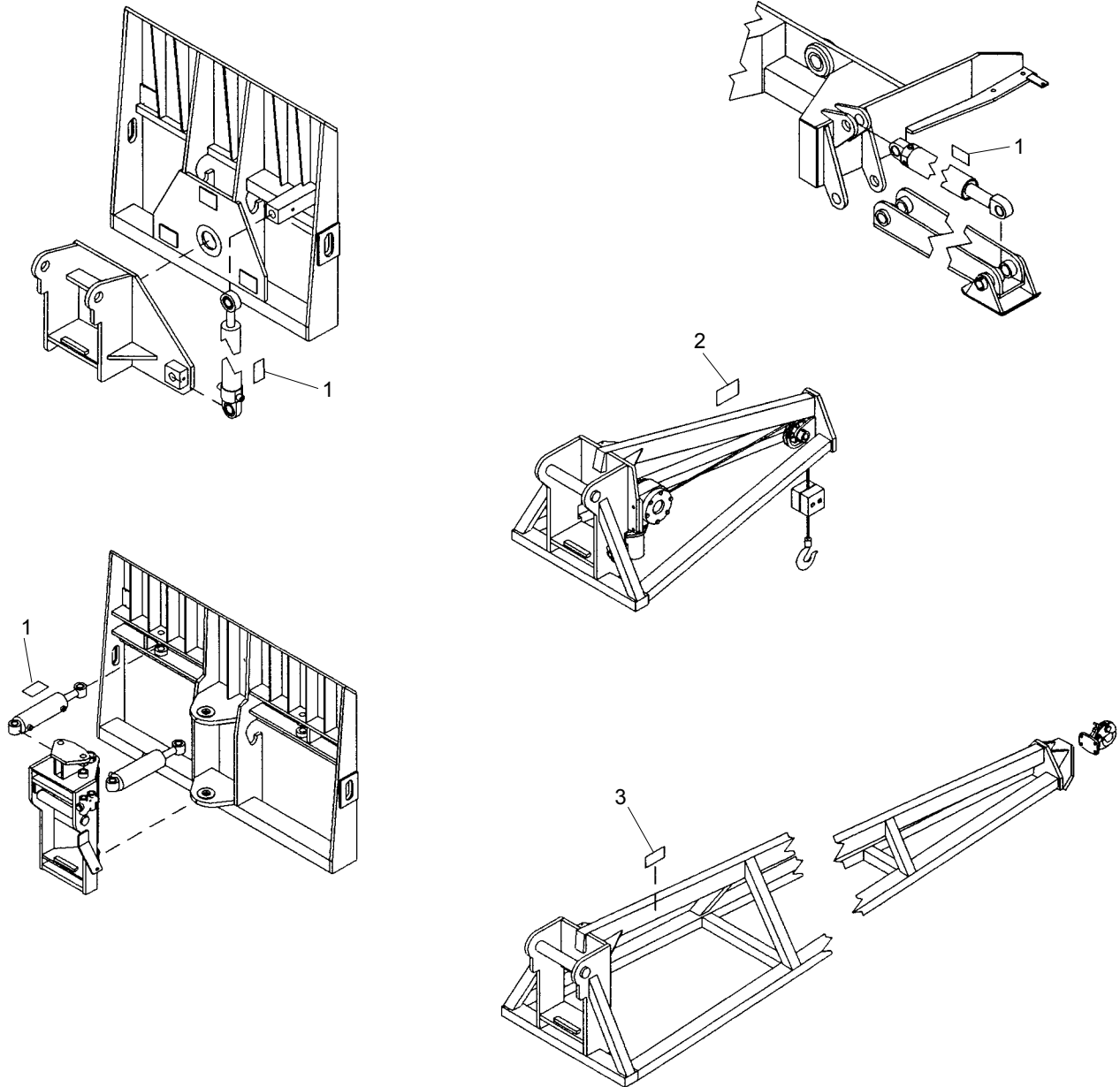


590-5014/63dec2.tif

Frame & Boom Area
Units Thru S/N 7354, Incl. 7357, 7358

Ref. No.	Part No.	Description	Qty. Req.	Ref. No.	Part No.	Description	Qty. Req.
<i>NOTE: Decals may be purchased as kit or individually.</i>				10	089550	COLOR STRIPE, 48"	1
	L500175	DECAL KIT - 883	1	11	L65933	DANGER - JUMP START	1
01	L66569	DYNATTACH, 1-1/8"	2	12	L65932	WARNING - NO RIDERS	2
02	L65937	DYNATTACH DIAGRAM	1	13	L65920	GREASE DAILY	2
03	L65927	WARNING - PINCH PONT	10	14	L65924	DANGER - ROTATE FAN	2
04		BOOM EXTEND MARKERS (Operator Side)		15	089549	GEHL, 3.25"	1
	L62573	NO. "6"	1	16	L65928	DANGER - PERSONNEL LIFT	1
	L62574	NO. "8"	1	17	L66613	DYNATTACH UNLOCK (Red Stripe)	1
	L62575	NO. "10"	1	18	L65921	HYD. OIL LEVELS	1
	L62576	NO. "12"	1	19	072794	HYD. OIL FILL	1
	L62577	NO. "14"	1	20	072797	DIESEL FUEL	1
	L62578	NO. "16"	1	21	072798	COOLANT UNDER PRESS.	1
	L62579	NO. "18"	1	22	056859	ANTI-FREEZE	1
	L62580	NO. "20"	1	23	L64931	LUBE CHART	1
	L62581	NO. "22"	1	24	089550	COLOR STRIPE, 54"	1
	L62582	NO. "24"	1	25	L65015	883, 2.88"	2
05	L62583	ODD FT. MARKER (Oper. Side)	10	26	L64012	AUTOTROL (When Applicable)	2
06	L65926	WARNING - CARRY LOAD LOW	1	27	089550	COLOR STRIPE, 18"	1
07	089550	COLOR STRIPE, 42"	1	28	089605	GEHL, 2.50"	1
08	089550	COLOR STRIPE, 87"	1	29	089715	GEHL, 4.00"	2
09	089554	DYNALIFT	2	30	089550	COLOR STRIPE, 48"	1
				31	089550	COLOR STRIPE, 24"	1

Boom Attachments

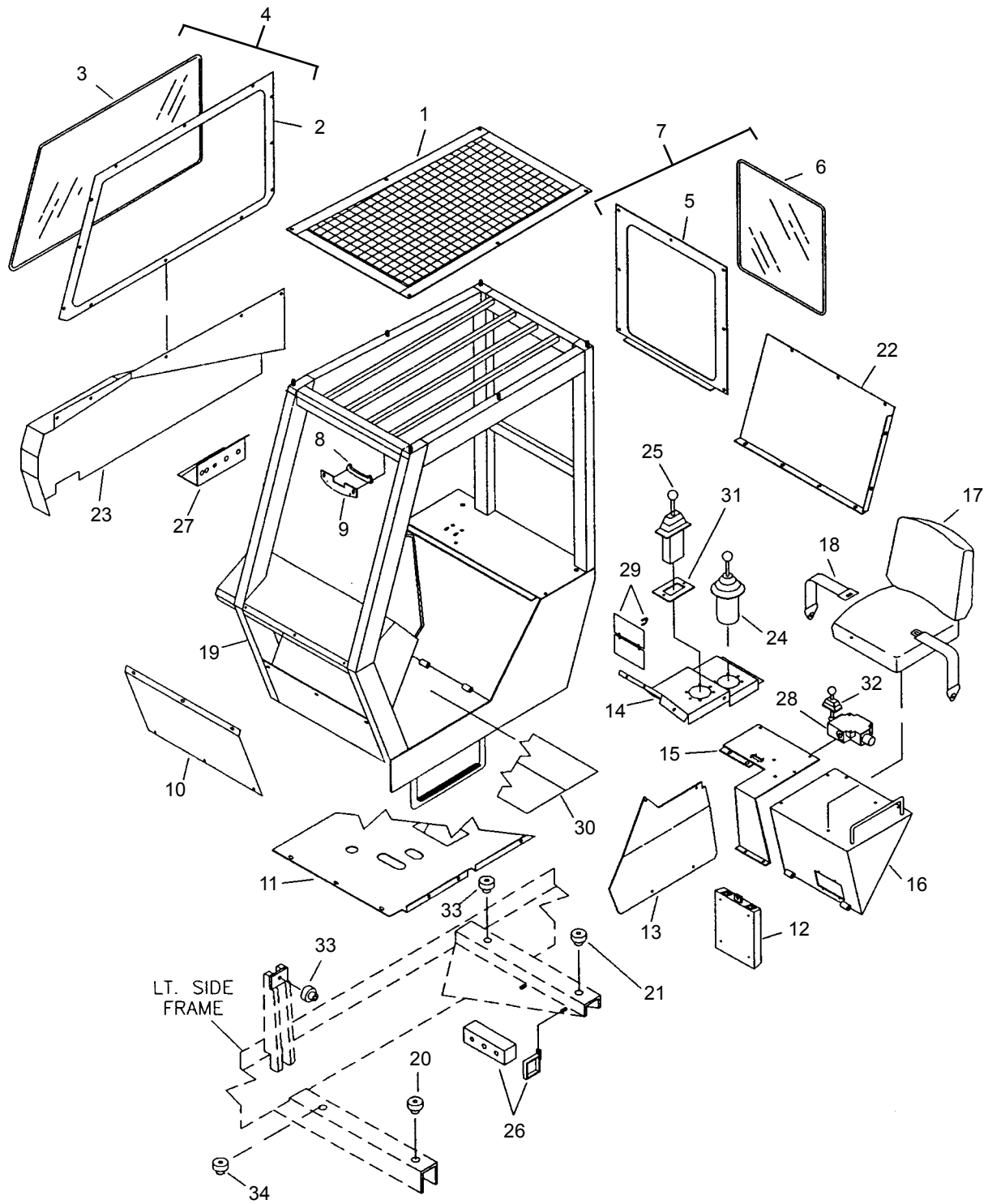


697-5311/83dec2.tif

Boom Attachments

Ref. No.	Part No.	Description	Qty. Req.	Ref. No.	Part No.	Description	Qty. Req.
<i>NOTE: Decals may be purchased as kit or individually.</i>				02	L65348	WARNING - WINCH	1
				03	L66042	WARNING - TRUSS BOOM TILT . .	1
a	L500175	DECAL KIT - 883	1	a	For SN thru 7354, including 7357, 7358		
b	L98861	DECAL KIT - 883	1	b	For S/N 7355 & Up Except 7357 & 7358		
01	L65927	WARNING - PINCH POINT	2				

Operator's Station - Outside Area / Inner Panels

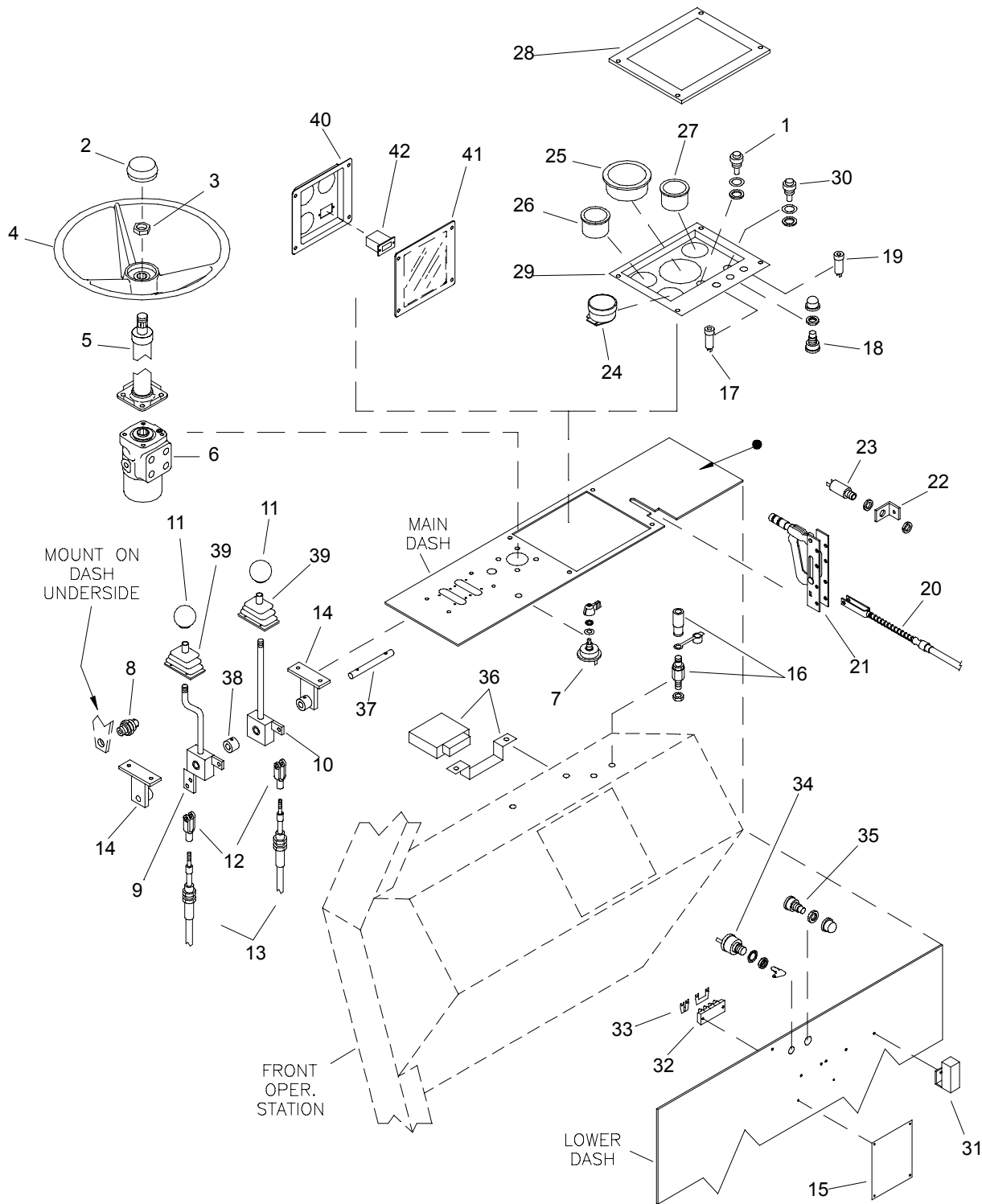


83chasf1.tif

Operator's Station - Outside Area / Inner Panels

Ref. No.	Part No.	Description	Qty. Req.	Ref. No.	Part No.	Description	Qty. Req.
01	L64865	OVERHD.GUARD SCREEN	1	19		OPER.STA.WELD	1
	L50056	5/16-18 SERR. FLNG. NUT	6		L64111	(Thru S/N 7562)	
02	L65393	SIDE WINDOW WELDMT	1		L68512	(S/N 7563 & Up)	
	L50230	CAP SCREW 5/16X3/4	3	20	L64124	VIBRATION ISOLATOR	1
	L50141	5/16 PLAIN WASHER	3			(Frt. Outside)	
	L50056	5/16-18 SERR. FLNG.NUT	12		L64196	SPACER, THICK.	2
03	L65412	SIDE GLASS W/GASKET	1		L50283	CAP SCREW 5/8-11X4	1
	L66658	GLASS ONLY	1		L52007	5/8-11 NYLON INSERT NUT	1
	L67425	GASKET ONLY	12 ft.	21	L64124	VIBRATION ISOLATOR	1
	L65412	SIDE GLASS ASY	1			(Rear Outside)	
04	L64452	REAR WINDOW WELDMT	1		L64197	SPACER, THIN	1
	L50056	5/16-18 SERR.FLNG.NUT	7		L50319	CS 5/8-11X3-1/2	1
06	L65411	REAR GLASS W/GASKET	1		L52007	5/8-11 NYLON INSERT NUT	1
	L66659	GLASS ONLY	1	22	L64455	LOWER REAR ACCESS PANEL	1
	L67425	GASKET ONLY	8 ft.		L50230	CAP SCREW 5/16-18X3/4	9
07	L65410	REAR GLASS ASY.	1		L50141	5/16 PLAIN WASHER	9
08	L66011	LEVEL INDICATOR	1		L530004	5/16-18 RETAINED NUT	6
	L50417	RND. HEAD SCREW #8-32X1	2	23	L64469	UPPER INSIDE PANEL	1
09	L66010	MOUNTING PLATE	1		L50056	5/16-18 SERR FLNG NUT	4
	L50755	5/16-18 ACORN NUT	2		L50141	5/16 PLAIN WASHER	4
	L50141	5/16" PLAIN WASHER	2	24a	L62553	4-WAY JOYSTICK	1
	L50145	3/8" PLAIN WASHER	4		L50211	CAP SCREW 1/4-20X3/4	4
10	L64454	FRONT ACCESS PANEL	1		L520003	1/4-20 NYLON INSERT NUT	4
	L50230	CAP SCREW 5/16-18X3/4	6	25a	L60302	2-WAY JOYSTICK	1
	L50056	5/16-18 SERR. FLNG. NUT	6		L52024	1/4-20X1 BUTTON HEAD	2
	L530004	5/16-18 RETAINED NUT	6		L50051	1/4-20 SERR. FLNG. NUT	2
	L50823	CAP SCREW 5/16-18X1	1	26	L64771	HYD.MANIFOLD	1
	L50141	5/16 PLAIN WASHER	1		L50056	5/16-18 SERR. FLNG. NUT	2
	L530004	5/16-18 RETAINED NUT	1		L62389	MOUNT BRACKET	2
11	L64841	BOTT. ACCESS PANEL	1	27b	L65435	OPTIONS SW.MOUNT PANEL	1
	L50230	CAP SCREW 5/16-18X3/4	3	28a	L68313	FRAME LEVEL VALVE	1
	L50141	5/16 PLAIN WASHER	3		L50837	CAP SCREW 3/8-16X2	3
	L530004	5/16-18 RETAINED NUT	7		L50061	3/8-16 SERR. FLNG. NUT	3
	L50056	5/16-18 SERR. FLNG. NUT	3	29	L63634	LOAD CHART PLATE	7
12	L62459	OPER.MANUAL HOLDER	1		L63887	U-BOLT 1/4-20	2
	L50226	SELF TAP SCREW 5/16-18X1	4		L50051	1/4-20 SERR.FLNG. NUT	4
13	L64943	SIDE VALVE COVER	1	30	L54002	SAFETY TREAD - No Cab	1
	L50230	CAP SCREW 5/16-18X3/4	4			(Cut in 6x24" pcs)	
14	L64902	UPPER VALVE COVER	1	31	L62861	ADAPTER PLATE	1
	L50230	CAP SCREW 5/16-18X3/4	2	32	L62427	BOOT	1
	L50056	5/16-18 SERR. FLNG NUT	2		L50417	RHSS #8-32X1/2.	3
	L50141	5/16 PLAIN WASHER	2	33	L64124	ISOLATION VIBRATOR	2
	L50251	CAP SCREW 3/8-16X3/4	2			(Frt. Upright, Rear Inside)	
	L50061	3/8-16 SERR. FLNG. NUT	2		L64197	SPACER, THIN	2
15	L64986	RT.SIDE FIXED PANEL	1		L50319	CAP SCREW 5/8-11X3-1/2	2
	L50251	CAP SCREW 3/8-16X3/4	2		L520007	5/8-11 NYLON INSERT NUT	2
	L50061	3/8-16 SERR. FLNG. NUT	2	34	L64124	ISOLATION VIBRATOR	1
	L50367	CAP SCREW 3/8-16X1	2			(Frt. Inside)	
	L50061	3/8-16 SERR. FLNG. NUT	2		L64197	SPACER, THIN	1
16	L99244	HINGED SEAT PANEL	1		L50383	CAP SCREW 5/8-11X4	1
	L50251	CAP SCREW 3/4-16X3/4	2		L520007	5/8-11 NYLON INSERT NUT	1
17	L60857	SEAT W/LH ARMREST	1				
	L50056	5/16-18 SERR. FLNG NUT	4				
18	L42910	SEAT BELT ASY, W/HDWR	1	a		Refer to Hyd. Comp. For Breakdown.	
				b		Refer to Elec. Comp. Pages for Breakdown.	

Operator's Station - Dash Area

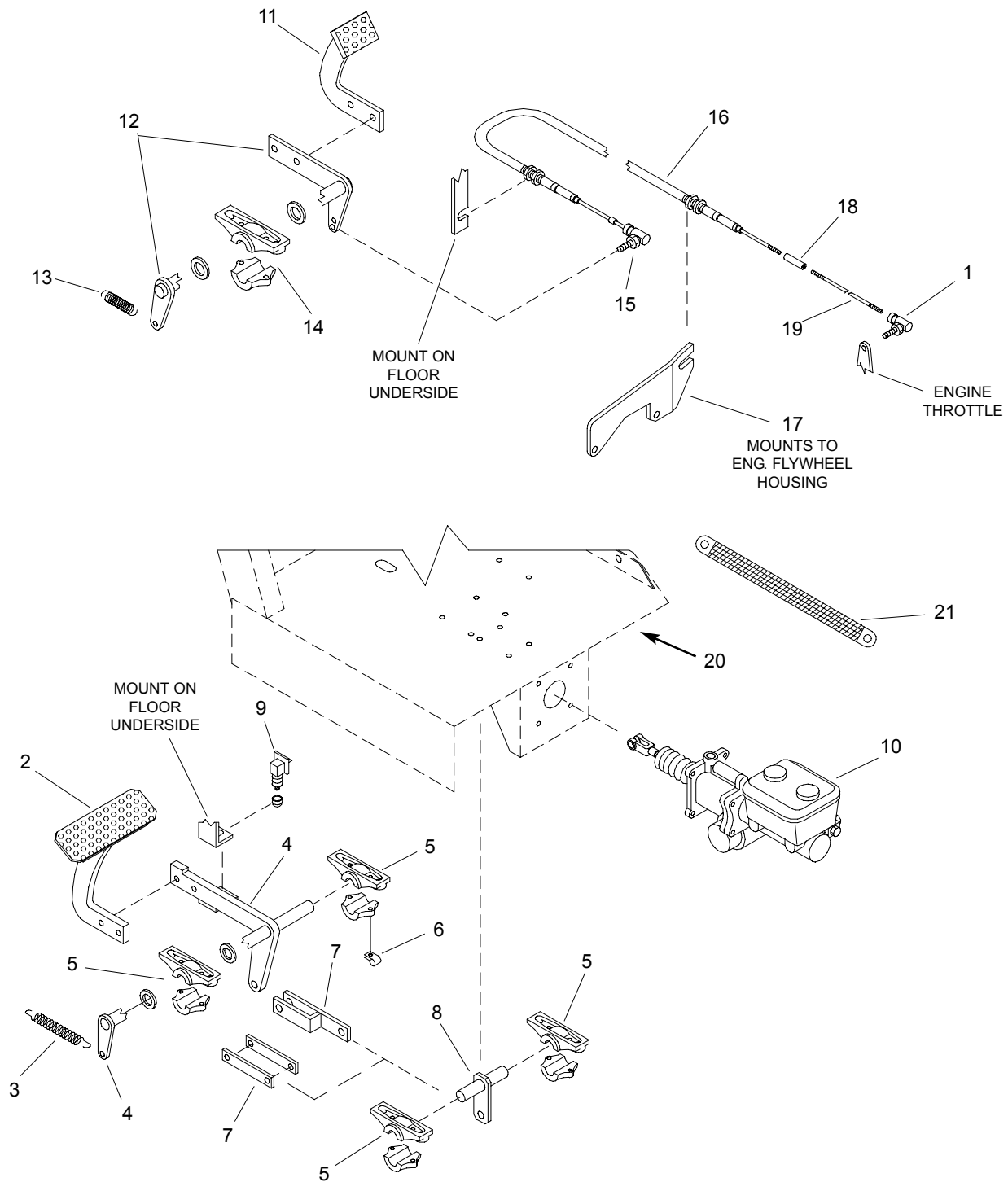


588-5001.dwg/83chas1.wmf

Operator's Station - Dash Area

Ref. No.	Part No.	Description	Qty. Req.	Ref. No.	Part No.	Description	Qty. Req.
01	L62951	PARK BRAKE "ON" LAMP	1	23	L650012	BRAKE ALARM SW	1
02	L41260	CAP	1	24	L63610	LIGHT CLUSTER	1
03	L41261	NUT	1	25	L66438	HOURLMETER/TACH	1
04	L40496	STEERING WHEEL	1	26	L63640	FUEL GAUGE	1
05	L64656	STEER COLUMN ASY	1	27	L66437	WATER TEMP GUAGE	1
	L52026	BUTTON HEAD 3/8-16X1-1/4	4	28	L65610	VANDALISM COVER (Recent Style)	
06 ^a	L64523	STEER MOTOR ASY	1		L50202	BUTT. HD. BOLT 1/4-20X5/8	4
07	L68638	STEER SELECT SWITCH	1		L64034	VANDALISM COVER (Old Style)	
		(S/N 7378 & Up)			L43964	SPACER	3
07	L61462	STEER SELECT VALVE	1	29	L65370	DASH PANEL (Recent Style)	1
		(Thru S/N 7377)			L65518	DASH PANEL (Old Style)	
08	L62277	NEUT.START SWITCH	1	30	L66427	LAMP ASY, BRAKE ALARM	1
09	L64424	F-N-R SHIFT LEVER	1	31	L64078	BRAKE ALARM BUZZER	1
	L50478	ROUND HEAD 5/16-18X1-1/4	1		L50896	#10-24 NUT	2
	L50056	5/16-18 SERR. FLNG. NUT	2		L50136	#10 LOCK WASHER	2
10	L64426	1-2-3 SHIFT LEVER	1	32	L650004	TERMINAL BLOCK	1
11	L46572	KNOB	2		L514001	RND. HD. SCREW #10-24X1	4
12	L120017	CLEVIS W/PINS	2		L50896	#10-24 NUT	4
13	L64457	SHIFT CABLE	2		L50136	#10 LOCK WASHER	4
	L50055	1/4-20 HEX NUT	4	33	L650005	JUMPER	1
14	L64428	SHIFT MOUNT WELD	2		L66736	CINCH	1
	L52024	BUTT. HD. BOLT 1/4-20X1	4	34		START KEY SWITCH	1
	L50055	1/4-20 SERR. FLNG. NUT	4		L40417	Thru S/N 7562	
15	L60535	SERIAL NO. PLATE	1		L41852	KEY ONLY	
16	L62933	FEMALE COUPLER	2		089069	S/N 7563 & Up	
16	L62834	MALE TEST PORT	2		089070	KEY ONLY	
	L62840	CAP	2	35		ENG.START PUSHBUTTON	1
17		CIRCUIT BREAKER, 15 AMP	1		L98901	Thru S/N 7418	
	L99219	Thru S/N 7561			L64079	S/N 7419 & Up	
	L63699	S/N 7562 & Up		36	L64583	MODULATOR CIRCUIT BOARD	1
18	L41848	HORN PUSH BUTTON SW	1		L64889	MOUNT BRACKET	1
19		CIRCUIT BREAKER, 15 AMP	1		L50230	CAP SCREW 5/16-18X3/4	2
	L99219	Thru S/N 7561			L50056	5/16-18 SERR. FLNG. NUT	2
	L63699	S/N 7562 & Up		37	L64429	SHIFT PIVOT PIN	1
20	L47879	PARK BRAKE CABLE	1		L50628	ROLL PIN 3/16X1	2
	L50607	COTTER PIN 1/8X1	1	38	L400279	BUSHING	1
	L42342	CLEVIS PIN 3/8X1-1/4	1	39	L62427	BOOT	2
	L50403	CAP SCREW 3/8-16X1-1/4	1		L50417	RND. HD. #8-32X1/2	8
	L50061	3/8-16 SERR. FLNG. NUT	1	40	L63688	GUAGE PANEL	1
21	L43966	PARK BRAKE LEVER	1			S/N 7563 & UP	
	L43964	SPACER	1	41	L63689	COVER PANEL	1
	L43965	SPACER	1			S/N 7563 & UP	
	L47275	CLAMP	1		L50202	BUTT. HD. BOLT 1/4-20X5/8	4
	L50835	CAP SCREW 5/16-18X2	2	42	072340	HOURLMETER	1
	L50056	5/16-18 SERR. FLNG. NUT	2			S/N 7563 & Up	
	L50141	5/16 PLAIN WASHER	8				
22	L62484	SWITCH BRACKET	1	a		Refer to Hyd. Comp. Pages for Breakdown.	
	L50230	CAP SCREW 5/16-18X3/4	1				
	L50056	5/16-18 SERR. FLNG. NUT	1				

Operator's Station - Floor Area



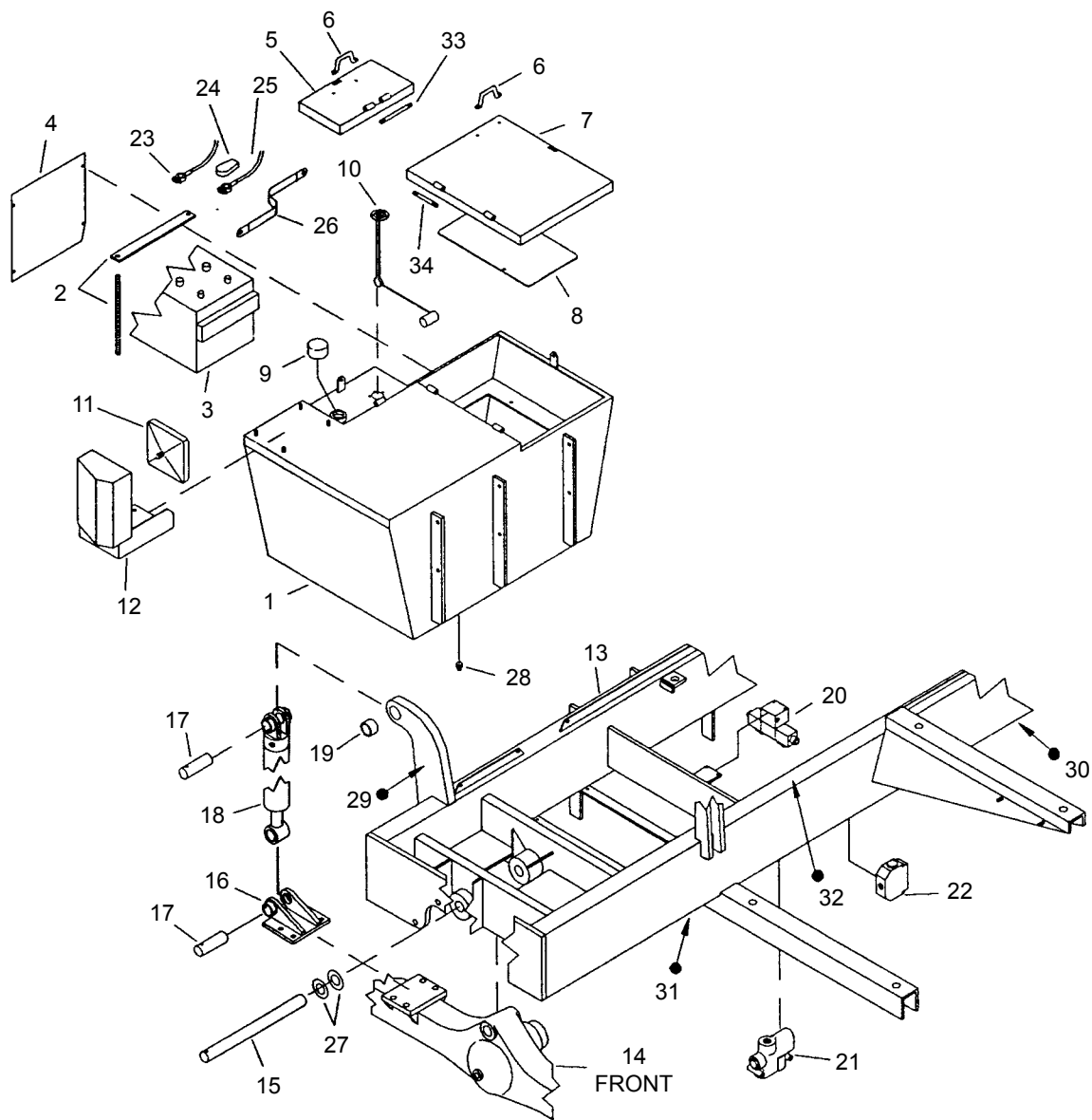
10-0211.dwg/83chas2.wmf

Operator's Station - Floor Area

Ref. No.	Part No.	Description	Qty. Req.	Ref. No.	Part No.	Description	Qty. Req.
01	L580009	BALL JOINT.....	1	11	L400265	ACCEL.PEDAL WELD.....	1
02	L64770	BRAKE PEDAL WELD.....	1		L50367	CAP SCREW 3/8-16X1.....	2
	L50261	CAP SCREW 3/8-16X1-1/2.....	2	12	L400270	PIVOT ARM WELD.....	1
	L520005	3/8-16 NYLON INSERT NUT.....	2	13	L561004	SPRING.....	1
03	L561004	SPRING.....	1	14	L806001	SPLIT-BABBITTED BRG.....	1
04	L64774	PIVOT ARM WELD.....	1		L10151	GREASE ZERK.....	1
05	L806001	SPLIT BABBITTED BRG.....	4		L52026	BUTT. HD. BOLT 3/8-16X1-1/4 ...	2
	L10151	GREASE ZERK.....	4	15	L580008	BALL JOINT.....	1
	L52026	BUTT. HD. BOLT 3/8-16X1-1/4 ...	8	16	L64463	THROTTLE CABLE.....	1
	L520005	3/8-16 NYLON INSERT NUT.....	8	17	L66606	BRACKET (J.D.).....	1
06	L41770	CLAMP.....	1		L64041	BRACKET (Perk. 4.236).....	1
07	L64765	LINKAGE BAR.....	2		L66523	BRACKET (Perk 4.0L).....	1
		Thru S/N 7522		18	L64664	COUPLER (J.D.).....	1
07	L66815	BRAKE LINK.....	1	19	L64663	EXTEND ROD (J.D.).....	1
		S/N 7523 & Up			L50050	#10-32 NUT.....	4
	L44859	CLEVIS PIN 1/2X27/64.....	2	20	L41770	CLAMP.....	1
	L50607	COTTER PIN 1/8X1.....	2		L50056	5/16-18 SERR. FLNG. NUT.....	1
08	L64772	BRAKE SHIFT WELD.....	1	21	L630004	GROUND STRAP.....	1
09	L64890	BRAKE LIGHT SW.....	1		L50056	5/16-18 SERR. FLNG. NUT.....	2
10 ^a		POWER BRK.BOOSTER ASY....	1				
	L99113	Thru S/N 7522					
	L66814	S/N 7523 & Up					
	L50261	CAP SCREW 3/8-16X1-1/2.....	4				
	L520005	3/8-16 NYLON INSERT NUT.....	4				

a Refer to Axles & Service Brakes Pages for Breakdown

Fuel Tank / Front Inner Frame Area



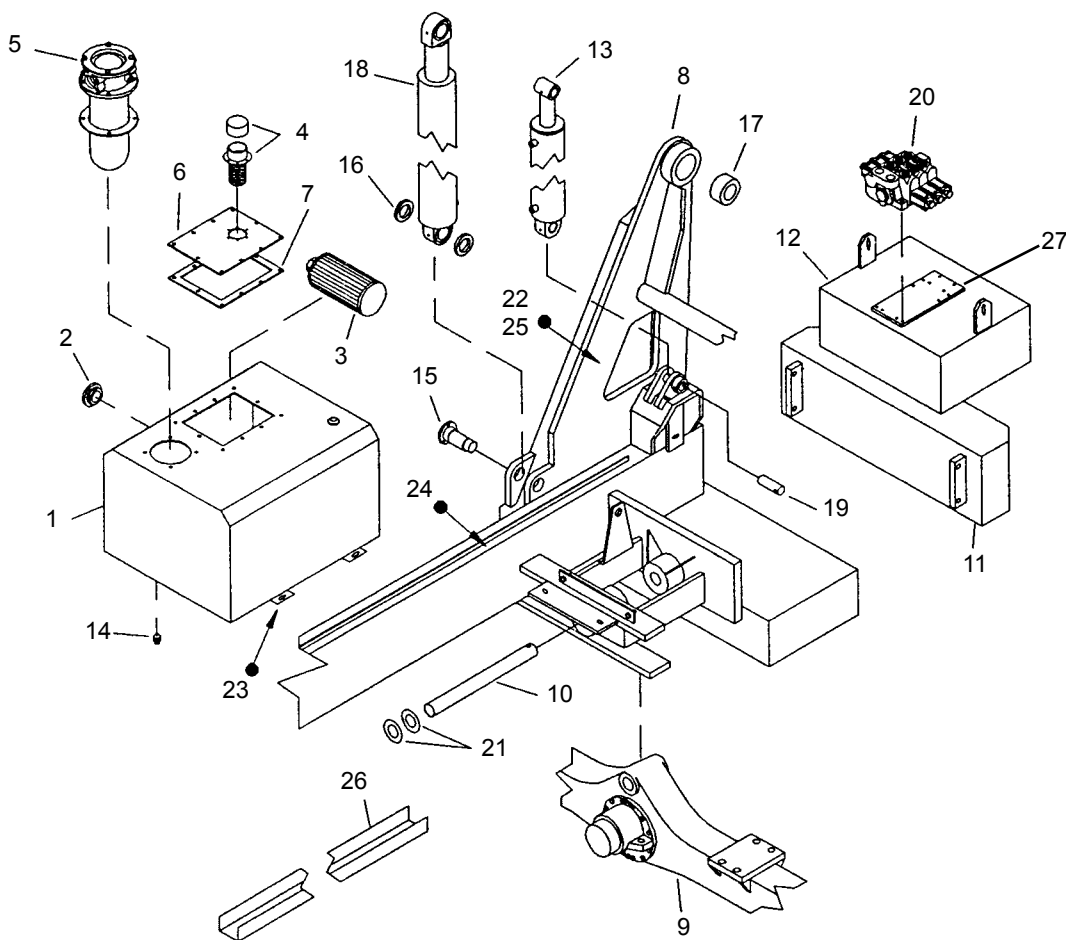
83chasf4.tif

Fuel Tank / Front Inner Frame Area

Ref. No.	Part No.	Description	Qty. Req.	Ref. No.	Part No.	Description	Qty. Req.
-	L64258	COMPL. FUEL TANK ASY	1	19	L49619	BUSHING	1
		(Items 1, 4-10)		20 ^a	L65684	STEER SEL.SOL.VALVE	1
01 ^a	NSS	FUEL TANK/BATT.BOX WELD	1		L50535	CAP SCREW 1/4-20X3	2
	L50286	CAP SCREW 1/2-13X1-3/4	6		L520003	1/4-20 NYLON INSERT NUT	2
	L520019	1/2-13 NYLON INSERT NUT	6		L50137	1/4 PLAIN WASHER	2
02	L61117	HOLD DOWN BAR	1	21 ^c	L64179	PRIORITY VALVE	1
	L400333	ROD	2		L520004	5/16-18 NYLON INSERT NUT	2
	L50061	3/8-16 SERR.FLNG. NUT	4	22 ^c	L61878	FLOW DIVIDER	1
	L530003	3/8-16 WING NUT	2		L50402	CAP SCREW 1/4-20X2-1/4	2
03	L620002	BATTERY 12VOLT 8D, 845 CCA	1		L50137	1/4 PLAIN WASHER	2
04	L64256	BATT.ACCESS COVER	1		L50139	1/4 LOCK WASHER	2
	L50230	CAP SCREW 5/16-18X3/4	4	23	L64362	POSITIVE CABLE	1
	L50141	5/16 PLAIN WASHER	4	24	L630003	CABLE BOOT	1
05	L97746	FUEL TK.COVER WELD	1	25	L630001	NEGATIVE CABLE	1
06	L64673	HANDLE	2	26	L630004	GROUND STRAP	1
	L50491	RND. HD.SCREW #8-32X5/8	4	27	L66045	SPACER, THICK	2
07	L97745	TOOLBOX COVER WELD	1		L400207	SPACER, THIN	2
08	L64257	TOOLBOX BOT.T.PLATE	1	28	L72175	1/2 NPT PIPE PLUG	1
	L62721	RETAINER FASTENER	2	29	L41770	CLAMP, 3/4"	2
	L62722	RECEPTACLE	2			(Hoses To Cyl.Mt.)	
09	L120027	FILL CAP	1		L50056	5/16-18 SERR. FLNG. NUT	2
10	L61867	FUEL SENDER	1	30	L570018	CLAMP, 7/16"	1
11	L64846	CONVEX MIRROR	1			(Hoses To Frame Side)	1
	L530003	3/8-16 WING NUT	1		L41770	CLAMP, 3/4"	2
12	L64898	MIRROR BOX WELD	1			(Hoses To Frame Side)	
	L50056	5/16-18 SERR. FLNG. NUT	4		L50056	5/16-18 SERR. FLNG. NUT	2
13	NSS	MAIN FRAME WELD	1	31	L41770	CLAMP, 3/4"	2
14 ^a	L64052	FRONT AXLE ASY	1			(Hoses To Frame Side)	
15	L64056	FRONT TRUNNION PIVOT PIN	1		L50056	5/16-18 SERR. FLNG. NUT	2
	L277013	GREASE ZERK	1	32	L570005	CLAMP 7/8"	2
	L400207	SPACER, THIN	AR		L47212	CLAMP 3/8"	2
	L66045	SPACER, THICK	AR			(Wire Harness To Frame)	
	L520019	1/2-13 NYLON INSERT NUT	2		L50056	5/16-18 SERR. FLNG. NUT	2
	L50151	1/2 PLAIN WASHER	2	33	L64264	HINGE STUD	1
16	L64830	LEVEL CYL.MOUNT WELD	1		L50755	5/16-18 ACORN NUT	2
	L50956	CAP SCREW 3/4-10X1-1/4	4	34	L64672	HINGE STUD	2
	L50519	3/4-10 NYLON INSERT NUT	4		L50755	5/16-18 ACORN NUT	2
17	L64837	PIVOT PIN	1				
	L50275	CAP SCREW 3/8-16X3	1				
	L520005	3/8-16 NYLON INSERT NUT	1				
18 ^c		LEVEL CYL. ASY	1				

a Refer to Eng. Comp. Pages For Fuel Lines Plbg.
 b Ref to Axles/Brakes Pages For Breakdown
 c Refer to Hyd. Comp. Pages For Breakdown

Rear Inner Frame Area Group

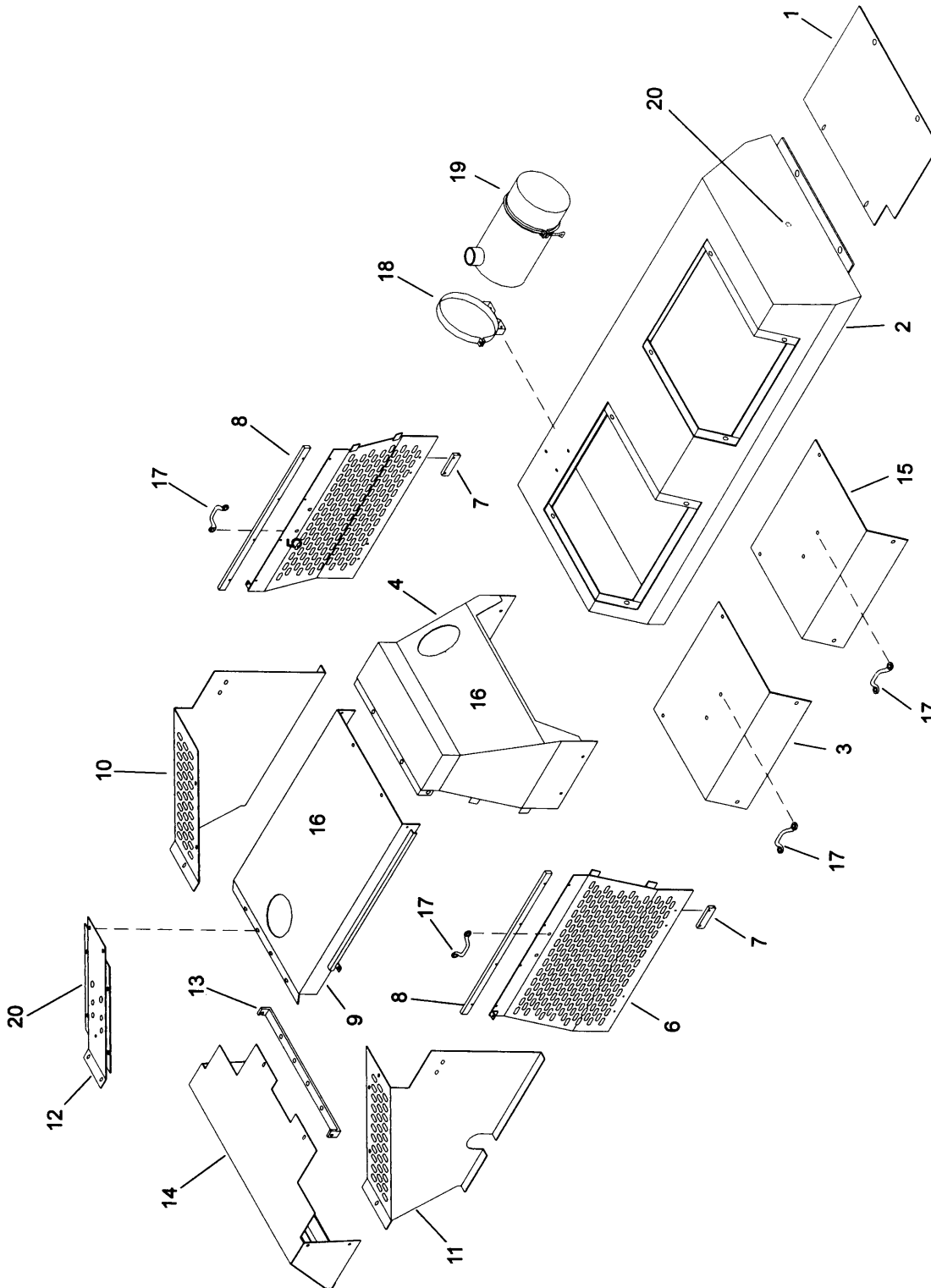


83chasf5.tif

Rear Inner Frame Area Group

Ref. No.	Part No.	Description	Qty. Req.	Ref. No.	Part No.	Description	Qty. Req.
1	L64218	HYD.RESERVOIR WELD.	1	16	L64591	SPACER.	4
		(Incl.Items 6,7)			L10057	GREASE ZERK	2
	L50261	CAP SCREW 3/8-16X1-1/2	2		L50245	CAP SCREW 5/16-18X1	6
	L65211	3/8-16 RETAINED NUT	2		L50143	5/16 LOCK WASHER	
	L50145	3/8 PLN WASHER (Rt.Side Only)	2	17	L810005	PIVOT BEARING	2
	L50836	CAP SCREW 3/8-16X1-3/4	2	18		BOOM LIFT CYL. ASY.	2
	L65211	3/8-16 RETAINED NUT	2		L64401	S/N 7001-7004	
2	L64619	SIGHT GLASS	1		L64083	S/N 7005-7444	
3	L49327	SUCT. STRAINER (100 Mesh)	1		L66821	S/N 7445 & Up	
4	L460001	FILL CAP/DIPSTICK ASY.	1	19		BUTT END PIVOT PIN.	2
5	L62831	IN-TANK RETURN FILTER ASY.	1		L62032	1.25" Dia. Thru S/N 7171	
	L97489	ELEMENT.	1		L66035	1.50" Dia. S/N 7172 & Up	
	L98568	SEAL KIT (3 Seals, 1 Gasket)	1		L50273	CAP SCREW 3/8-16X2-3/4	2
	L50403	CAP SCREW 3/8-16X1-1/4	4		L520005	3/8-16 NYLON INSERT NUT	2
6	L65142	ACCESS COVER.	1	20 ^c	L66441	MAIN HYD.VALVE	1
	L50823	CAP SCREW 3/8-16X1	10		L50561	CAP SCREW 5/16-18X1-3/4	3
	L50141	5/16 PLAI WASHER	10		L50141	5/16 PLAIN WASHER	3
7	L65144	GASKET	1		L50143	5/16 LOCK WASHER	3
8	NSS	MAIN FRAME WELD	1	21	L66045	SPACER, THICK	2
9 ^a	L66745	REAR AXLE ASY.	1		L400207	SPACER, THIN	2
10	L64056	TRUNNION PIVOT PIN	2		L50056	5/16-18 SERR. FLNG. NUT	2
	L277013	GREASE ZERK	2	22	L570005	CLAMP, 7/8"	4
	L400207	SPACER, THIN	AR			(Hoses To Frame Side)	
	L66045	SPACER, THICK	AR		L50056	5/16-18 SERR. FLNG. NUT	2
	L520019	1/2-13 NYLON INSERT NUT.	2	23	L41770	CLAMP 3/4"	2
	L50151	1/2 PLAIN WASHER				(Hoses To Frame Side)	
11	L64363	OUTSIDE COUNTERWEIGHT	1		L50056	5/16-18 SERR. FLNG. NUT	2
	L50333	CAP SCREW 3/4-10X3	4	24	L45666	CLAMP, 1"	1
	L50519	3/4-10 NYLON INSERT NUT.	4			(Tube To Frame Side)	
	L50157	3/4-10 PLAIN WASHER	4		L50056	5/16-18 SERR. FLNG. NUT	1
12	L64851	INSIDE COUNTERWT	1	25	L47212	CLAMP, 3/8"	2
	L50288	CAP SCREW 1/2-13X2	2			(Wire Harness To Frame)	
	L520019	1/2-13 NYLON INSERT NUT.	2		L50056	5/16-18 SERR. FLNG. NUT	1
	L50151	1/2 PLAIN WASHER	2	26	L64600	HOSE GUARD.	1
13		SLAVE CYL.ASY	2		L520004	5/16-18 NYLON INSERT NUT.	2
	L64087	S/N 7001-7004 (1-1/4" Pin)		27	L65506	V-40 MOUNTING PLATE	1
	L64087	S/N 7005-7171 (1-1/4" Pin)					
	L66032	S/N 7172-7444 (1/12" Pin)					
	L66666	S/N 7445 & Up					
14	L43221	PLUG MAGNETIC	1	a		Refer to Eng. Comp Pages For Fuel Lines Plbg.	
15	L64589	PIVOT PIN (early models)	2	b		Ref to Axles/Brakes Pages For Breakdown.	
	L66392	ECCENTRIC PIN (late models)	2	c		Refer to Hyd. Comp. Pages For Breakdown.	

Hoods & Covers

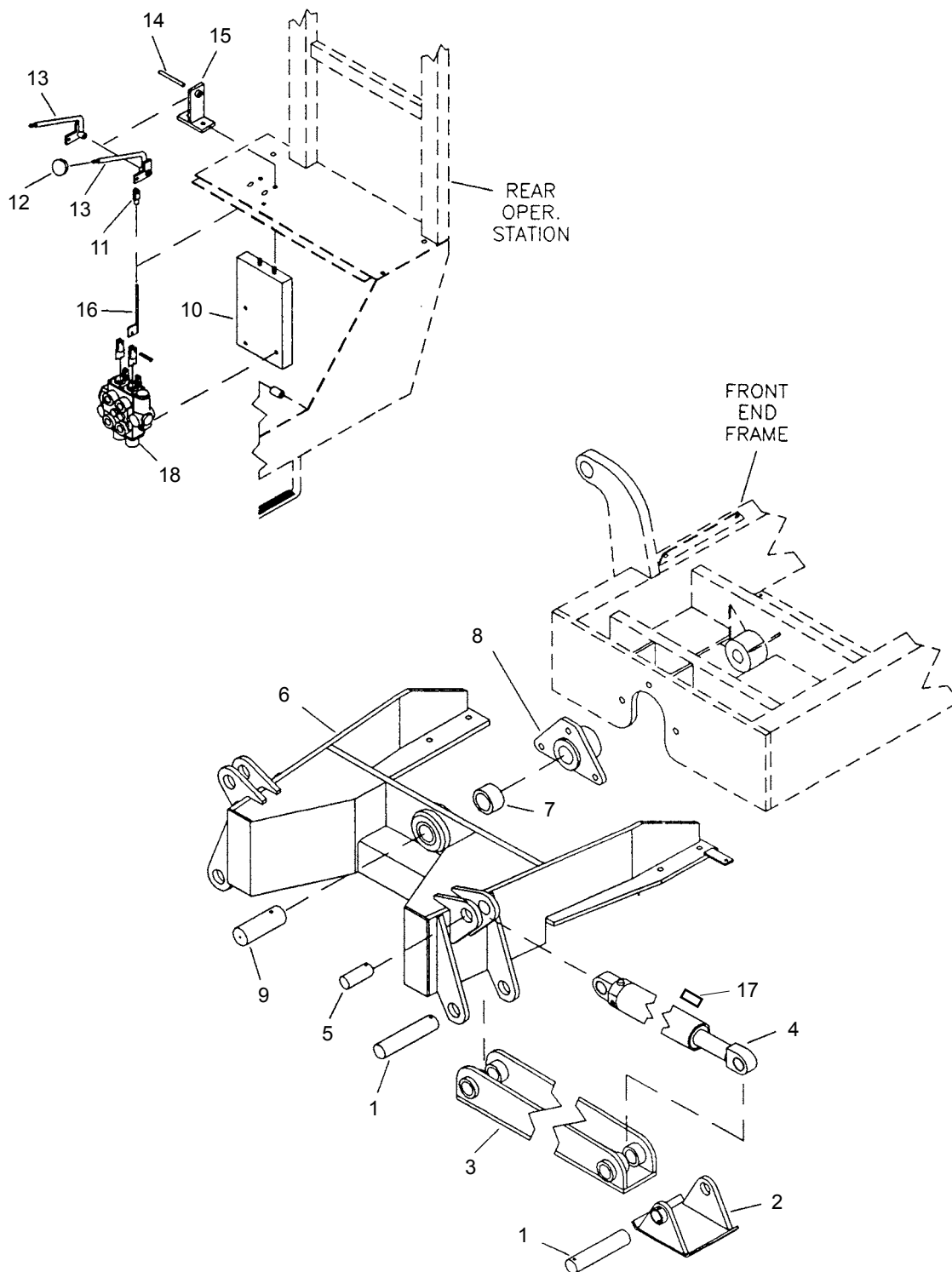


5-0205.dwg/83chas3.tif

Hoods & Covers

Ref. No.	Part No.	Description	Qty. Req.	Ref. No.	Part No.	Description	Qty. Req.
01	L64947	FRT. COVER	1	11		RH RAD.SEC.WLDMT	1
	L50230	CAP SCREW 5/16-18X3/4	8		L66723	Thru S/N 7473	
	L530004	5/16-18 RETAINED NUT	8		L66721	S/N 7474 & Up	
	L50141	5/16 PLAIN NUT	8		L50230	CAP SCREW 5/16-18X3/4	2
02		FRT.HOOD WLDMT	1		L50141	5/16 PLAIN WASHER	2
	L64738	Thru S/N 7493			L50228	CAP SCREW 5/16-18X1/2	2
	L66741	S/N 7494 & Up			L50141	5/16 PLAIN WASHER	2
	L50230	CAP SCREW 5/16-18X3/4	8		L530004	5/16-18 RETAINED NUT	3
	L530004	5/16-18 RETAINED NUT	8	12		BULKHEAD PLATE	1
	L50141	5/16 PLAIN NUT	8		L64721	Thru S/N 7473	
03		HYD.PUMP ACESS COVER	1		L66720	S/N 7474 & Up	
	L64693	Thru S/N 7493			L50823	CAP SCREW 5/16-18X1	2
	L66739	S/N 7494 & Up			L530004	5/16-18 RETAINED NUT	2
	L62720	STUD FASTENER	4		L50141	5/16 PLAIN WASHER	2
	L62721	RETAINER	4	13	L64701	REAR HOOD SUPPORT	1
	62722	RET.RECEPTACLE	4		L50056	5/16-18 SERR. FLNG. NUT	2
	L64673	HANDLE	1	14		REAR HOOD WLDMT	1
04	L64727	MID-SEC.HOOD WLDMT	1		L64720	Thru S/N 7473	
	L50230	CAP SCREW 5/16-18X3/4	4		L66720	S/N 7474 & UP	
	L530004	5/16-18 RETAINED NUT	4		L50230	CAP SCREW 5/16-18X3/4	6
	L50141	5/16 PLAIN NUT	4		L530004	5/16-18 RETAINED NUT	6
05		LH SLIDE DOOR	1		L50141	5/16 PLAIN WASHER	6
	L66527	Thru S/N 7473		15		HYD. TANK ACCESS COVER	1
	L66725	S/N 7474 & UP			L64692	21 3/4" Wide, Used on early units	
06		RH SLIDE DOOR	1		L64693	Thru S/N 7493	
	L66725	Thru S/N 7473			L66739	S/N 7494 & Up	
	L66725	S/N 7474 & UP			L62720	STUD FASTENER	4
07	L64695	NYLATRAN SLIDE	4		L62721	RETAINER	4
	L50214	CAP SCREW 1/4-20X1	8		62722	RET.RECEPTACLE	4
	L50051	1/4-20 SERR. FLNG. NUT	8		L64673	HANDLE	1
08		NYLATRON GUIDE	2	16	L64985	FOAM INSULATION KIT (Incl.)	1
	L64696	Thru S/N 7155 (bolt on side panel)			L64982	RH SIDE MID-SEC.FOAM	1
	L65896	S/N 7156 & UP (bolt on top hood)			L64983	END MID-SEC.FOAM	1
	L50214	CAP SCREW 1/4-20X1	8		L64981	LH SIDE MID-SEC.FOAM	1
	L50051	1/4-20 SERR. FLNG. NUT	8		L64980	TOP MID-SEC.FOAM	1
09		TOP HOOD WELDMT	1		L64984	TOP HOOD SEC.FOAM	1
	L64724	Thru S/N 7155		17	L64673	HANDLE	4
	L65911	S/N 7156 -7473			L50418	RND HD. SCREW 10-32X1/2	12
	L99166	S/N 7474 & UP			L50050	10-32 NUT	12
	L50230	CAP SCREW 5/16-18X3/4 (P)	6	18	L120022	MOUNT BAND	2
	L50141	5/16 PLAIN WASHER	6		L50230	CAP SCREW 5/16-18X3/4	4
	L50056	5/16-18 SERR. FLNG. NUT	2		L50056	5/16-18 SERR. FLNG. NUT	4
	L530004	5/16-18 RETAINED NUT	2	19	L120021	AIR CLEANER ASY	1
	L50367	CAP SCREW 3/8-16X1	2			(Less Inlet Cap, Incl. 18)	
	L50145	3/8 PLAIN WASHER	2	20	L64326	AXLE GREASE HOSE	2
10		LH RAD.SEC.WLDMT	1		L277013	GREASE ZERK	2
	L66721	Thru S/N 7473			L50145	3/8 PLAIN WASHER	2
	L66723	S/N 7474 & Up					
	L50230	CAP SCREW 5/16-18X3/4	2				
	L50141	5/16 PLAIN WASHER	2				
	L50228	CAP SCREW 5/16-18X1/2	2				
	L50141	5/16 PLAIN WASHER	2				
	L530004	5/16-18 RETAINED NUT	3				

Outrigger Assembly

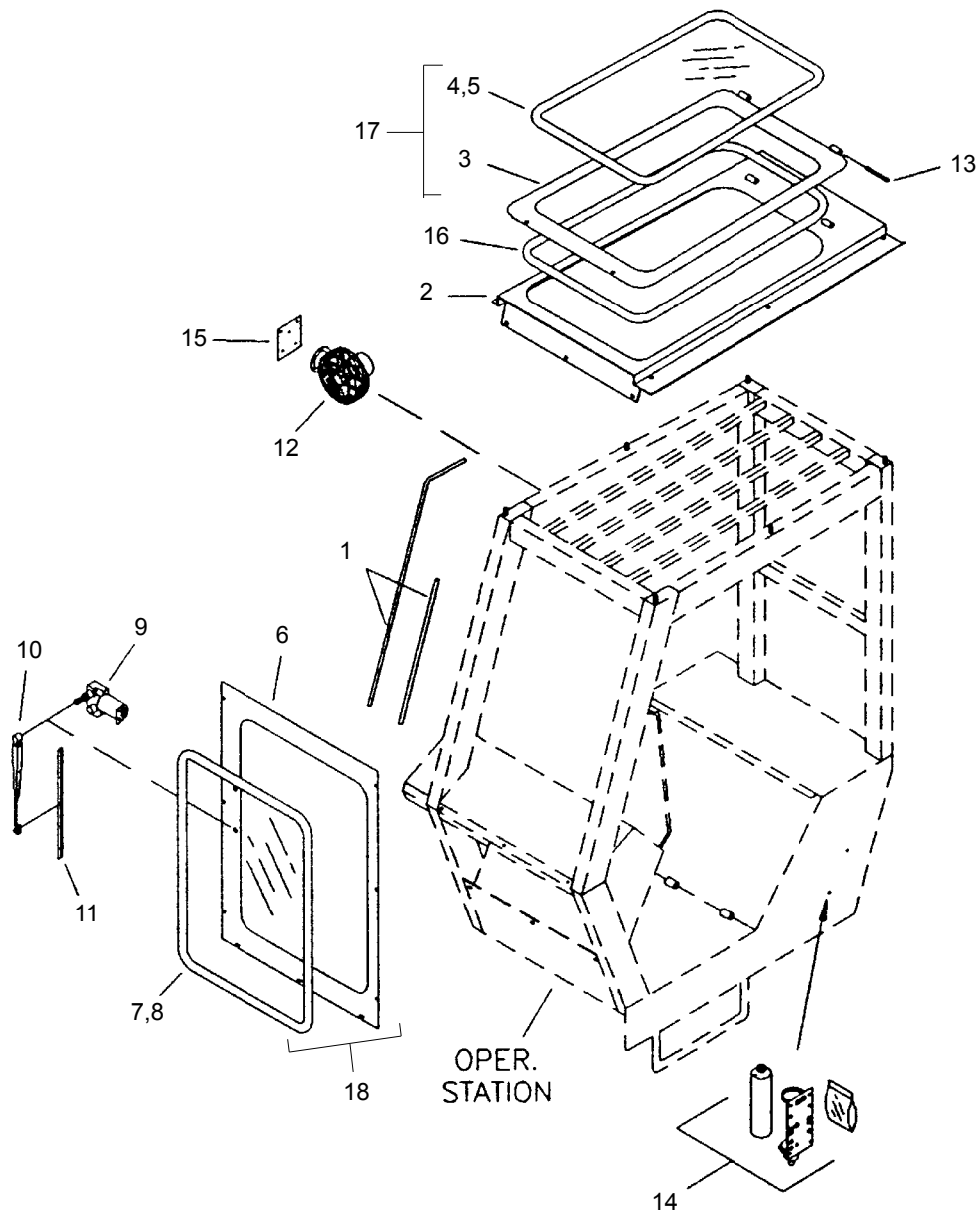


83chasf7.tif

Outrigger Assembly

Ref. No.	Part No.	Description	Qty. Req.	Ref. No.	Part No.	Description	Qty. Req.
01	L64963	LEG & CYLINDER PIN.....	4	10	L65103	VALVE MTG.PLATE.....	1
	L10465	GREASE ZERK.....	4	11	L120017	CLEVIS W/PIN 5/16ID.....	2
	L50275	CAP SCREW 3/8-16X3.....	2		L560003	COTTER PIN 3/32X1-1/4.....	2
	L520005	3/8-16 NYLON INSERT NUT.....	2	12	L40277	KNOB.....	2
02	L64914	LEG PAD WELD.....	2	13	L65073	CONTROL.LEVER.....	2
03	L64911	LEG WELDMENT.....	2	14	L65139	LEVER PIVOT ROD.....	1
04 ^a	L66642	OUTRIGGER CYLINDER.....	2		L50612	COTTER PIN 1/16X3/4.....	2
05	L64551	BUTT END PIVOT PIN.....	2		L50145	3/8 PLAIN WASHER.....	2
	L50275	CAP SCREW 3/8-16X3.....	2	15	L65069	CONTROLS WELD.....	1
	L520005	3/8-16 NYLON INSERT NUT.....	2		L50061	3/8-16 SERR. FLNG. NUT.....	2
06	L64915	OUTRIGGER WELD.....	1	16	L65066	CONTROL LINKAGE.....	2
	L50956	CAP SCREW 3/4-10X2-1/2.....	8		L50055	1/4-28 NUT	
	L50519	3/4-10 NYLON INSERT NUT.....	8	17	L65138	OUTRIGGER DECAL.....	1
07	L810005	SELF-ALIGN BRG.....	1	18 ^a		OUTRIGGER VALVE.....	1
08	L64938	OUTRGR.TO FRAME PIVOT.....	1		L65176	Thru S/N 7034	
	L50361	CAP SCREW 1-8X3.....	3		L66942	S/N 7035 & Up	
	L50162	1" SPRING LOCK WASHER.....	3		L50837	CAP SCREW 3/8-16X2.....	3
	L50092	1-8 NUT.....	3		L50061	3/8-16 SERR. FLNG. NUT.....	3
09	L64964	OUTRGR.PIVOT PIN.....	1	a		Refer to Hyd. Comp. Pages for Breakdown.	
	L10057	GREASE ZERK.....	1				
	L50463	CAP SCREW 1/2-13X6.....	1				
	L520019	1/2-13 NYLON INSERT NUT.....	1				

Cab Assembly w/o Air Conditioning (part 1)

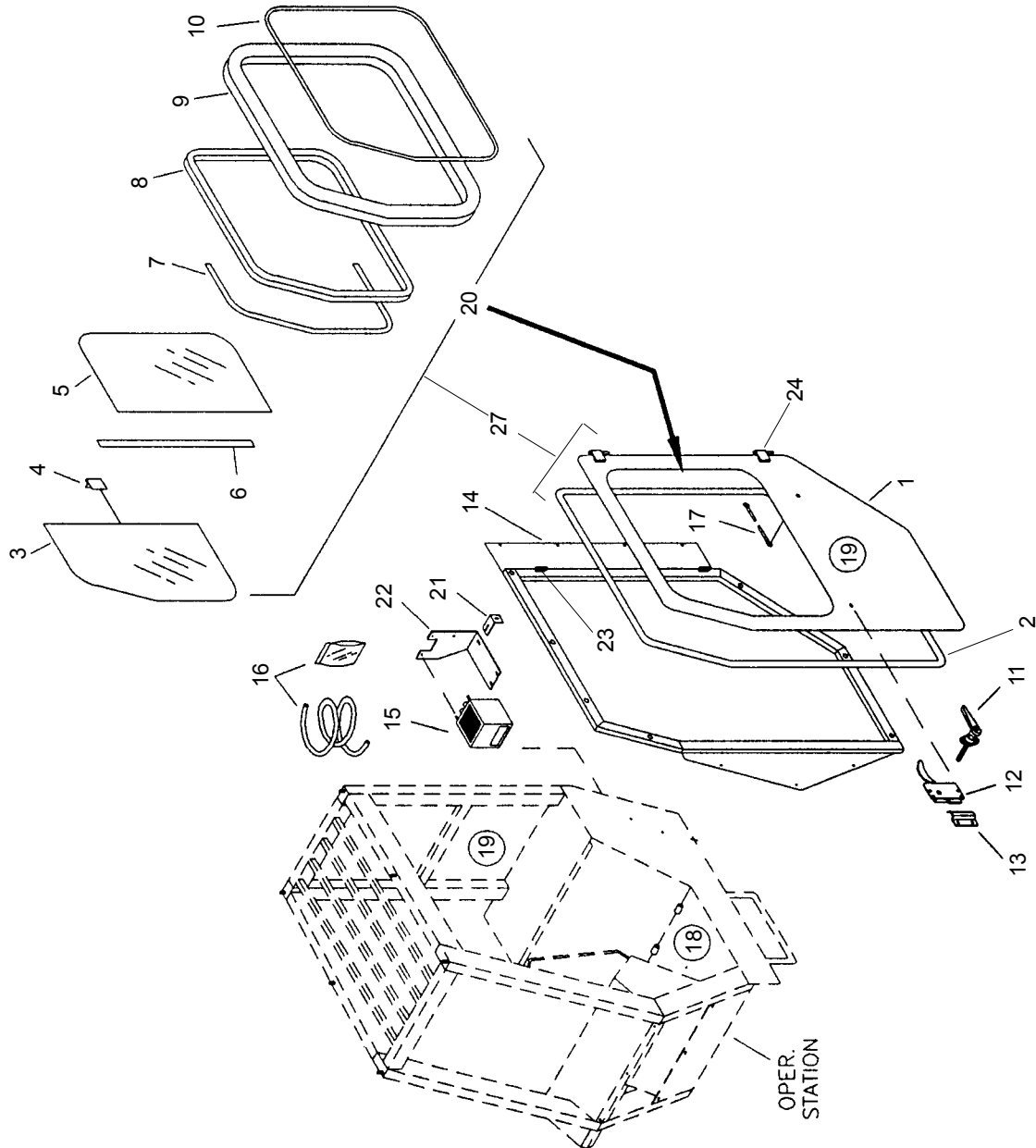


83chsf8a.tif

Cab Assembly w/o Air Conditioning (part 1)

Ref. No.	Part No.	Description	Qty. Req.	Ref. No.	Part No.	Description	Qty. Req.
1	L66342	RT.WIRE TUBE, 36"	1		L66735	MOTOR COVER	1
	L47212	CLAMP, 3/8"	2			S/N 7563 & UP	
	L50208	1/4-20X1/2 HX HD SCREW.	2	10	L61199	BLADE ARM	1
	L66341	LT.WIRE TUBE, 18"	1	11	L61200	WIPER BLADE	1
	L47212	CLAMP, 3/8"	1	12		DEFROST FAN W/SW.	1
	L50208	1/4-20X1/2 HX HD SCREW.	1		L61190	Thru S/N 7764	
2	L65346	TOP WELDMENT	1		L66986	S/N7765 & Up	
	L99138	FOAM STRIP 1 /4X1/2	120"	13	L64672	HINGE STUDE 5/16X3-7/8.	2
	L50823	CAP SCREW 5/16-18X1	9		L50755	5/16-18 ACORN NUT	4
	L50056	5/16-18 SERR. FLNG. NUT.	9	14		ETHER KIT (Incl.Sw.)	1
3	L65325	TOP WINDOW WELD	1		L66855	For John Deere Engines	
4	L66660	TOP GLASS.	1		L66961	For Perkins Engines	
5	L99137	RUBBER GASKET	150"		L52025	BUTTON HD BOLT 5/16-18X3/4	2
6	L65342	FRONT GLASS PANEL	1		L50056	516-18 SERR. FLNG. NUT	2
	L50230	CAP SCREW 5/16-18X3/4	3	15		DEFROSTER MT. PLATE.	1
	L50056	5/16-18 SERR. FLNG. NUT.	3		L65882	Thru S/N 7764	
	L50226	SELF TAP SCREW 5/16-18X1	6		L66993	S/N 7765 & Up	
7	L66661	FRONT GLASS	1		L50208	SELF TAP SCREW 1/4-20X1/2	2
8	L99318	RUBBER GASKET	120"	16	L500318	VINYL STRIP	84"
9	L61198	WIPER MOTOR W/SWITCH, 1-spd 1		17	L65298	TOP PANEL w/ GLASS ASY	1
		Thru S/N 7562				(incls. items 3,4 & 5)	
	L66843	2-SPEED WIPER MOTOR	1	18	L65447	FRONT PANEL w/ GLASS ASY.	1
		S/N 7563 & Up				(incls. items 6, 7 & 8)	
	L50226	SELF TAP SCREW 5/16-18X1	1				
	L50145	3/8 PLAIN WASHER	1				
	L50141	5/16 PLAIN WASHER	6				
	L50155	5/8 PLAIN WASHER	6				
	L99167	NUT/WASHER/GASKET SET.	1				

Cab Assembly w/o Air Conditioning (part 2)

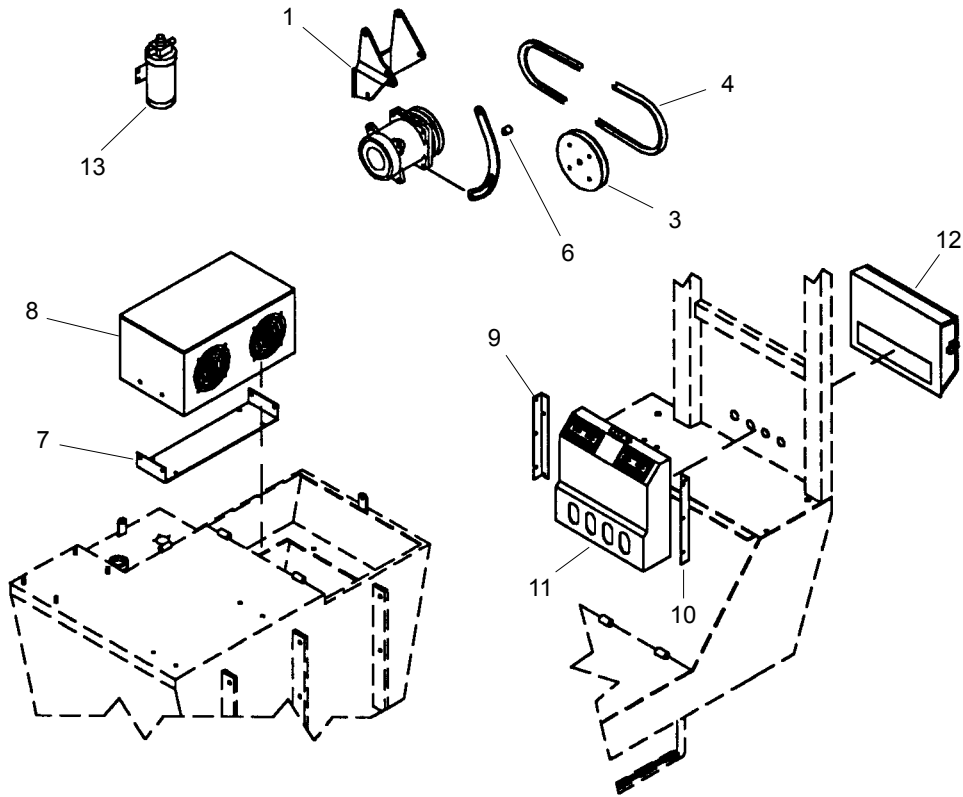


83chsf8b.tif

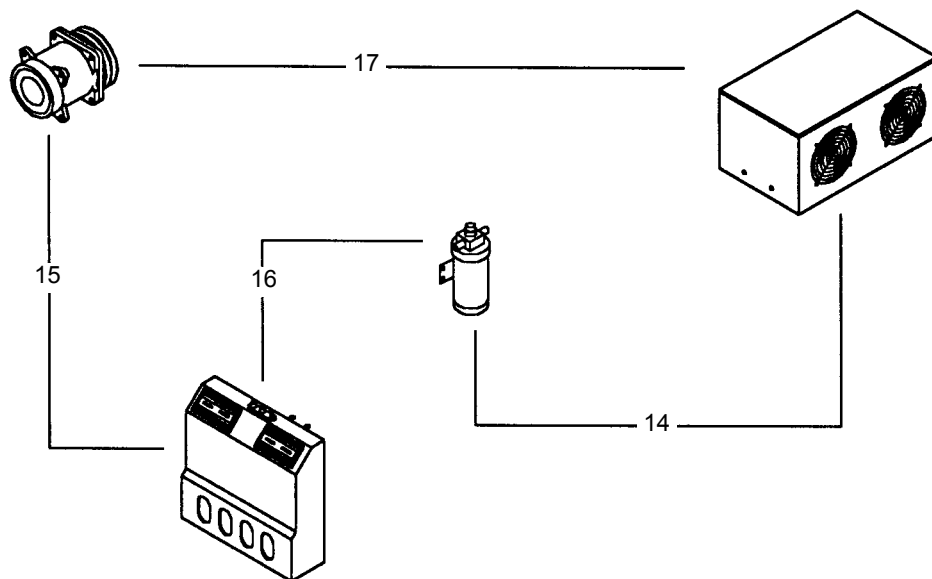
Cab Assembly w/o Air Conditioning (part 2)

Ref. No.	Part No.	Description	Qty. Req.	Ref. No.	Part No.	Description	Qty. Req.
01	L65316	DOOR WELDMENT	1	16	L99141	HOSE 5/8 ID (108")	2
02	L99140	VINYL DOOR STRIP	240"			SHUTOFF TEE	1
03	L66663	SLIDE GLASS	1			90° SWVL.ELBOW	1
04	L67430	CLIP	1			SWVL.REDUCER	1
05	L66662	STATIONARY GLASS	1	17	L65481	DOOR STOP CABLE ASY	1
06	L99078	FELT STRIP	32"		L50226	CAP SCREW 5/16-18X1	1
07	L99127	SPACER STRIP	60"		L50367	CAP SCREW 3/8-16X1	1
08	L99129	SLIDE CHANNEL	96"		L50061	3/8-16 SERR. FLNG. NUT	1
09	L99125	DOUBLE GASKET	120"	18	L98869	FLOOR MAT 3/8"	AR
10	L99126	GASKET LOCK STRIP	120"			(Specify Lgth) Cut to Fit.	
11	L61085	OUTSIDE HANDLE	1	19		FOAM INSULATION	AR
	L98615	LATCH KEY (Marked PK500)	1		L99142	DOOR PANEL INSULATION	1
	L99157	LATCH KEY (Marked CH751)	1		L99143	RIGHT SIDE PANEL INSULATION	1
	L50925	SELF TAP SCREW #8-32X1/2	2		L99144	REAR VERTICAL INSULATION	1
12	L61086	INSIDE LATCH	1		L99145	REAR FLAT PANEL INSULATION	1
	L50208	SELF TAP SCREW 1/4-20X1/2	2	20	L99110	DOOR GLASS ASY	1
13	L61080	STRIKER PLATE	1			(includes items 3-10)	
	L50226	SELF TAP SCREW 5/16-18X1	2	21	L65593	SUPPORT BRACKET	1
14	L65301	DOOR FRAME WELD	1	22	L65344	HEATER BRACKET	1
	L99138	FOAM STRIP 1/4X1/2	120"	23	L61081	DOOR HINGE (weld on)	2
	L61195	BUTTON	8	24	L61064	HINGE PIVOT (weld on)	2
	L50226	SELF TAP SCREW 5/16-18X1	1	25	L277617	LH OUTSIDE MIRROR	1
15	L66997	HEATER	1	26	L277615	INSIDE REARVIEW MIRROR	1
	L62025	BUTTON HD BOLT 5/16-18X3/4	3	27	L65366	DOOR with GLASS & GASKET	1
	L50056	5/16-18 SERR FLNG. NUT	3			(includes items 1,3-10)	
	L50815	CAP SCREW 5/16-18X2-1/2	1				
	L50056	5/16-18 SERR. FLNG. SCREW	1				
	L50141	5/16 PLAIN WASHER	1				
	L66733	PULL-TYPE SWITCH	1				

Operator Station - Cab Air Conditioning Group



744-50/63cha8.tif

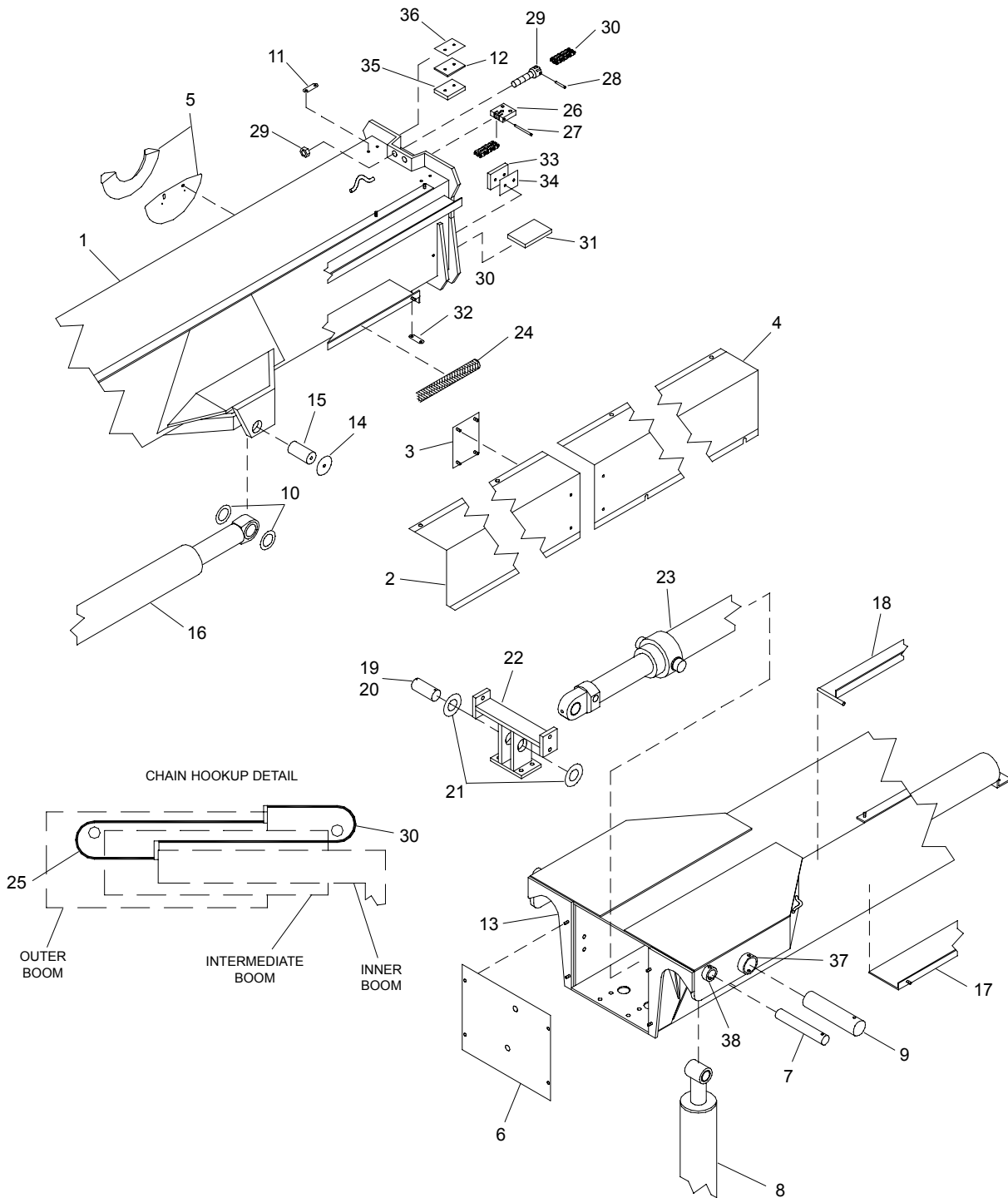


744-50/63cha7.tif

Operator Station - Cab Air Conditioning Group

Ref. No.	Part No.	Description	Qty. Req.	Ref. No.	Part No.	Description	Qty. Req.
01	L66692	COMPRESSOR MOUNT	1	09	L66689	RT.BLOWER BRACKET.	1
	L50403	CAP SCREW 3/8-16X1-1/4	4		L50056	5/16-18 SERR. FLNG. NUT.	2
	L520005	3/8-16 NYLON INSERT NUT.	4	10	L66688	LT.BLOWER BRACKET	1
02		COMPRESSOR	1		L50056	5/6-18 SERR. FLNG. NUT.	2
	L67628	Thru S/N 7713 (R12 Refrig.)		11	L66678	EVAPORATOR BLOWER.	1
	L68461	S/N 7714 & Up (R134a Refrig.)			L510008	CAP SCREW 5/16-18X5/8	6
	L50403	CAP SCREW 3/8-16X1-1/4	2		L99419	BLOWER MOTOR	1
	L520005	3/8-16 NYLON INSERT NUT.	2	12	L67629	OUTSIDE AIR KIT	1
	L50251	CAP SCREW 3/8-16X3/4	1		L50823	CAP SCREW 5/16-18X1	6
	L50147	3/8 LOCK WASHER	1		L50056	5/16 -18 SERR. FLNG. NUT.	6
03	L66588	ADD-ON PULLEY (J.D.)	1		L99124	FILTER, A/C	1
	L66588	Thru S/N 7713		13		RECEIVER/DRYER	1
	L68569	S/N 7714 & Up			L67638	Thru S/N 7713 (R12 Refrig.)	
	L50836	CAP SCREW 3/8-16X1-3/4	4		L68463	S/N 7714 & Up (R134a Refrig.)	
	L50147	3/8 LOCK WASHER	4		L510008	CAP SCREW 5/16-18X5/8	2
04	L66675	V-BELT	1		L50143	5/16 LOCK WASHER	2
05	L67655	ADJUST.BRACKET	1	14	L66869	A/C HOSE 5/16 X 48"	1
	L50277	CAP SCREW 3/8-16X1-1/2	1	15		A/C HOSE 1/2 X 140"	1
	L50147	3/8 LOCK WASHER	1		L66867	Thru S/N 7713 (R12 Refrig.)	
06	L66547	SPACER	1		L66975	S/N 7714 & Up (R134a Refrig.)	
07	L66687	CONDENSER MOUNT	1	16	L66868	A/C HOSE, 5/16 X 96"	1
	L510008	CAP SCREW 5/16-18X5/8	4	17		A/C HOSE, 13/32 X 162.	1
	L50143	5/16 LOCK WASHER	4		L66866	Thru S/N 7713 (R12 Refrig.)	
08	L66679	ELEC.CONDENSOR	1		L66970	S/N 7714 & Up (R134a Refrig.)	
	L510008	CAP SCREW 5/16-18X5/8	4				
	L50143	5/16 LOCK WASHER	4				

Outer Boom Group



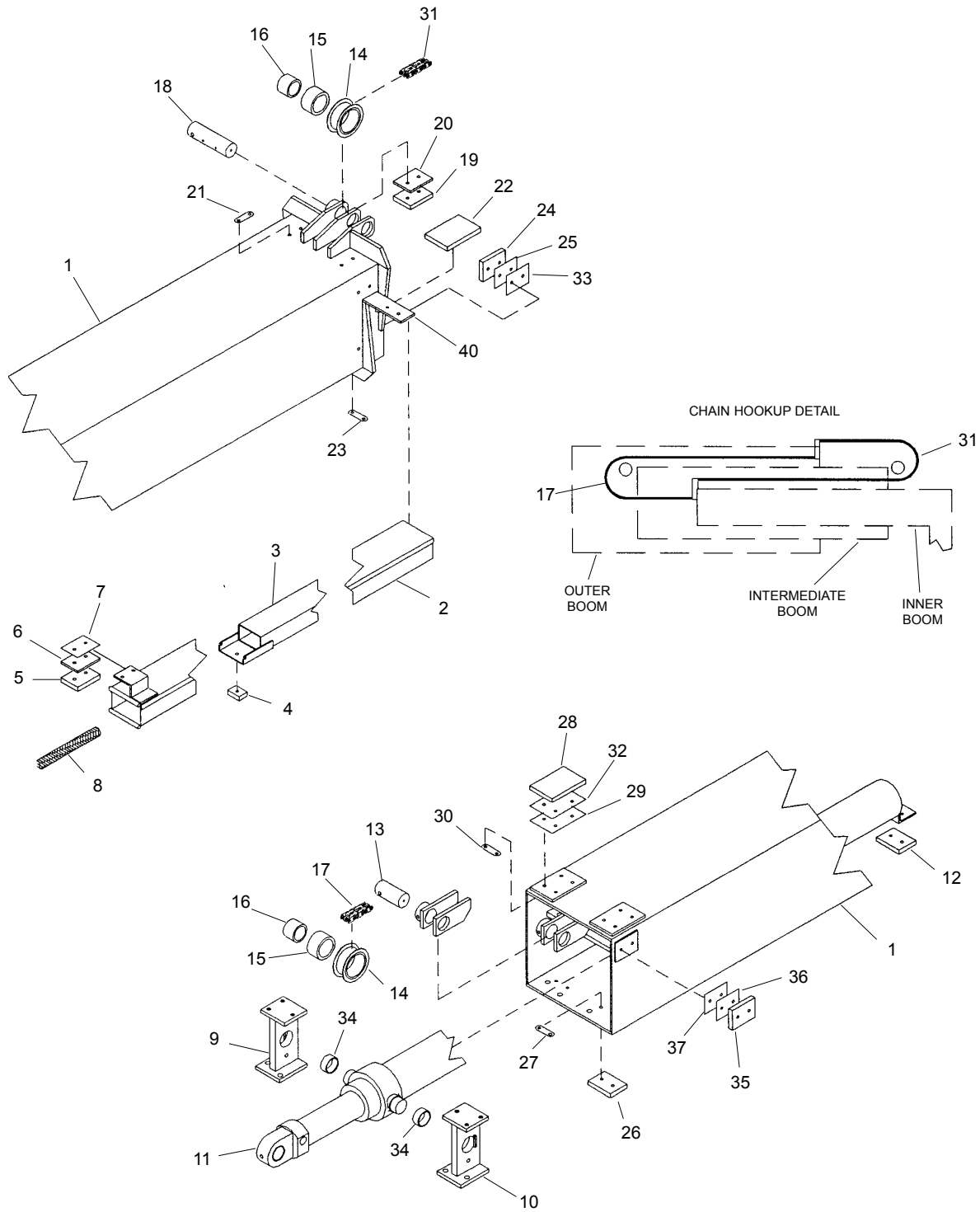
83bmf01.tif/07-0704.dwg

Outer Boom Group

Ref. No.	Part No.	Description	Qty. Req.	Ref. No.	Part No.	Description	Qty. Req.
01	L64350	OUTER BOOM SECT. WELD.	1	18	L64585	HOSE TRAY GUIDE.	1
02	L64951	REAR HOSE TRAY COVER.	1			(Weld On)	
	L50141	5/16 PLAIN WASHER.	6		L64644	TRAY GUIDE EXTENSION.	1
	L50056	5/16-18 SERR. FLGE. NUT.	6			(Weld On)	
03	L64992	COVER PLATE.	1	19	L50608	COTTER PIN 5/16X4.	2
	L50145	3/8 PLAIN WASHER.	4	20	L64550	ROD END MOUNT PIN.	1
	L50061	3/8-16 SERR. FLGE. NUT.	4	21	L400207	RETAINER.	2
04	L64949	FRONT HOSE TRAY COVER.	1	22	L64442	ROD END CYL. MT. WELD.	1
	L50141	5/16 PLAIN WASHER.	7		L510027	CAP SCREW 5/8-11X2-1/4.	8
	L50056	5/16-18 SERR. FLGE. NUT.	7		L520007	5/8-11 NYLON INSERT NUT.	8
05	L97956	ANGLE INDICATOR KIT-Incl:	1	23 ^{ab}		EXTEND CYL. ASY.	1
	L65638	INCLINOMETER.	1		L64385	Thru S/N 7004	
	L50491	RD. HD. SCREW #8-32X5/8.	2		L64084	S/N 7005 - 7445	
	L65640	MOUNTING PLATE.	1		L66770	S/N 7446 & Up	
	L50141	5/16 PLAIN WASHER.	2	24		HOSE TRACK KIT (Thru S/N 7513)	1
	L50056	5/16-18 SERR. FLGE. NUT.	2		L99003	TILT ONLY	
06	L64737	REAR COVER.	1		L99004	TILT & AUXILIARY	
	L50056	5/16-18 SERR. FLGE. NUT.	4	24		HOSE SLEEVE (S/N 7514 & Up) . .	1
07		ROD END CYL. PIN.	2		L99134	2.07 DIA. X 16'	
	L64113	Thru S/N 7171			L99135	1.75 DIA. X 16'	
	L66034	S/N 7172 & Up			L50206	DOUBLE CLAMP.	2
	L50273	CAPSCREW 3/8-16X2-3/4.	2		L50228	CAPS CREW 5/16-18X1/2.	2
	L520005	5/16-18 NYLON INSERT NUTx.	2		L520004	5/16-18 NYLON INSERT NUT.	2
08 ^a		SLAVE CYLINDER.	2	25	L64364	LEAF CHAIN SECTION.	1
	L64087	Thru S/N 7171 (Requires 2 ea. L98478 & L98479 Bushings if Boom is ordered)		26	L64384	TOP FRONT CLEVIS BLOCK.	1
	L66032	S/N 7172 - 7444			L50380	CAPSCREW 1/2-20X1-1/2 GR8. . .	2
	L66666	S/N 7445 & Up			L50152	1/2 LOCKWASHER.	2
09	L64060	UPRIGHT PIVOT PIN.	2	27	L64468	CLEVIS PIN.	1
	L50892	CAP SCREW 1/2-13X4.	2	28	L64466	CLEVIS PIN.	1
	L520019	1/2-13 NYLON INSERT NUT.	2	29	L64359	ADJUST. CLEVIS.	2
10	L64591	SPACER.	4		L50092	JAM NUT 1-8.	4
11	L62715	LOCK TAB.	2	30	L64364	LEAF CHAIN SECTION.	2
12	L62734	SHIM 1/8X3X4.	2	31	L61708	FRT. BOTT. SLIDE PAD 4X6.	2
13	L64080	END SUPPORT PLATE.	2		L50251	CAPSCREW 3/8X3/4.	8
		(Weld On)		32	L62715	LOCK TAB.	4
14	L64590	RETAINER.	4	33	L61709	FRT. SIDE SLIDE PAD 3X4.	2
	L50312	CAP SCREW 5/8-11X1.	4		L510007	CAPSCREW 3/8-16X7/8.	4
15	L64621	ROD END PIVOT PIN.	2	34	L62734	SHIM 1/8X3X4.	2
16 ^{ab}	L66821	LIFT CYLINDER.	2	35	L61709	FRT. TOP SLIDE PAD 3X4.	2
17	L64580	HOSE TRACK MOUNT.	1		L50403	CAPSCREW 3/8-16X1-1/4.	4
		(Weld On)		36	L64132	SPACER 3/8X3X4.	2
				37	L64061	COLLAR, 2.5" Dia. (Weld On) . . .	2
				38	L61942	COLLAR, 1.25 Dia. (Weld On) . . .	2
						Thru S/N 7171	
				38	L62026	COLLAR, 1.50 Dia. (Weld On) . . .	2

a Refer to Hydraulic Section for Breakdown.
b Refer to P/N Stamped on Cylinder Tube.

Intermediate Boom Group

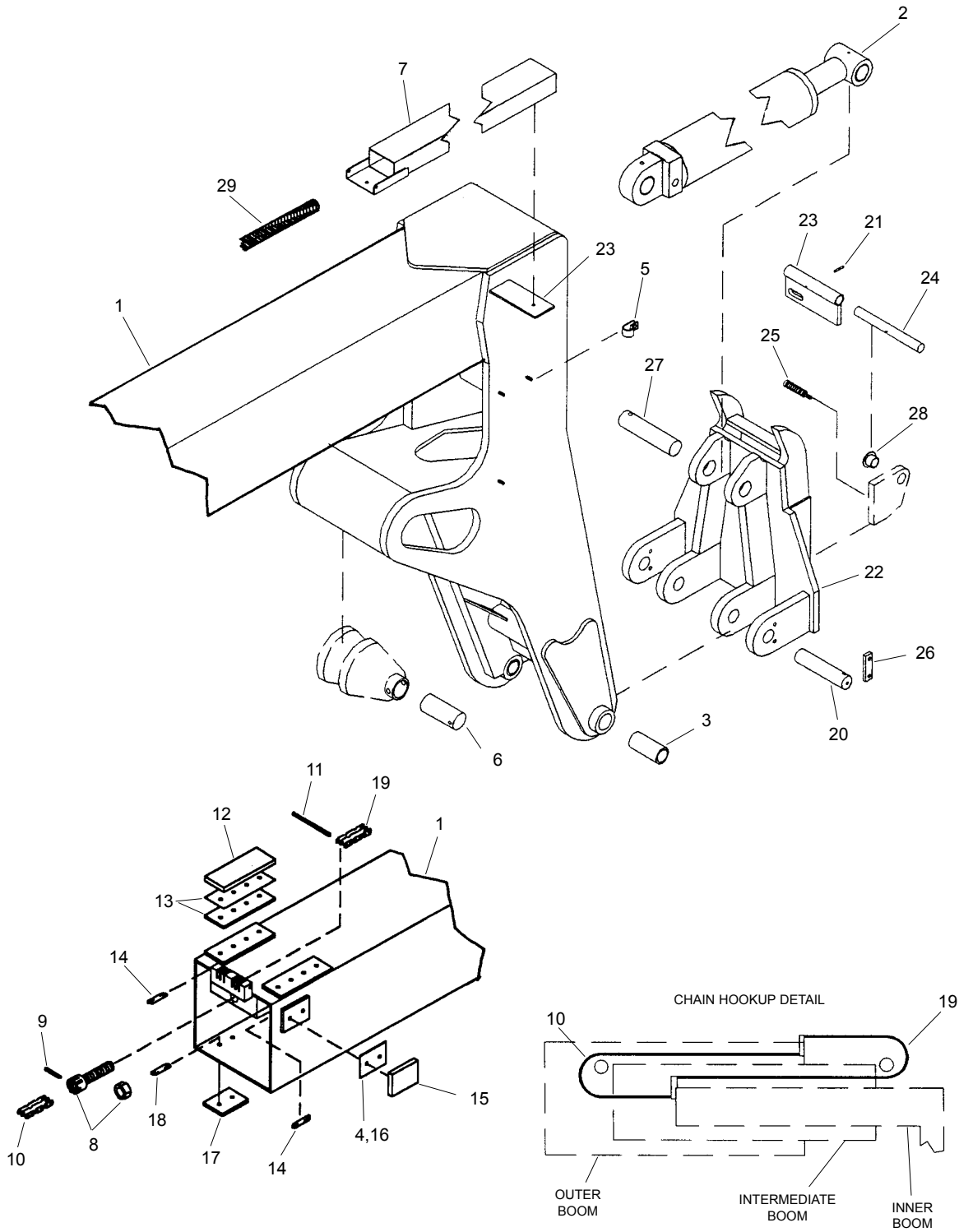


76-0703/63bm2.tif

Intermediate Boom Group

Ref. No.	Part No.	Description	Qty. Req.	Ref. No.	Part No.	Description	Qty. Req.
01	L64498	INTERM. SECT.WELD.	1	16	L49618	ROLLER BRG	3
02		HOSE TRAY KIT	1	17	L64364	LEAF CHAIN (259 Pitches)	1
		<i>Thru S/N 7513</i>		18	L64934	FRT. SHEAVE PIN	1
	L99003	TILT ONLY			L50275	CAPSCREW 3/8-16X3	1
	L99004	TILT AND AUXILIARY			L520005	3/8-16 NYLON INSERT NUT.	1
02	L66760	INTERM. HOSE TRAY	1		L10057	GREASE ZERK	1
		<i>S/N 7514 & Up</i>		19	L61709	FRT. TOP SLIDE PAD 3X4.	2
	L50367	CAP SCREW 3/8-16X1	2		L50403	CAP SCREW 3/8-16X1-1/4	4
	L520005	3/8-16 NYLON INSERT NUT.	2	20	L61704	SPACER 1/4X3X4	2
03		HOSE TRAY KIT	1	21	L62715	FLAT LOCK	2
		<i>Thru S/N 7513</i>		22	L61708	FRT. BOTT. SLIDE PAD 4X6	2
	L99003	TILT ONLY			L50251	CAP SCREW 3/8-16X3/4	8
	L99004	TILT AND AUXILIARY		23	L62715	FLAT LOCK	4
03	L66758	INNER HOSE TRAY.	1	24	L61709	FRT. SIDE SLIDE PAD 3X4	4
		<i>S/N 7514 & Up</i>			L50403	CAP SCREW 3/8-16X1-1/4	8
04	L61699	BUMPER PAD	1		L50147	3/8 LOCKWASHER.	8
	L50251	CAP SCREW 3/8-16X3/4	1	25	L62731	SHIM 1/16X3X4	4
	L50147	3/8 LOCKWASHER.	1	26	L61709	REAR BOTT. SLIDE PAD 3X4	2
05	L61709	TRAY SLIDE PAD 3X4	1		L50251	CAP SCREW 3/8-16X3/4	4
	L50403	CAP SCREW 3/8-16X1-1/4	2	27	L62715	FLAT LOCK	2
	L50147	3/8 LOCKWASHER.	1	28	L61708	REAR TOP SLIDE PAD 4X6.	2
06	L61704	SPACER 1/4X3X4	1		L50403	CAP SCREW 3/8-16X1-1/4	8
07	L62734	SHIM 1/8X3X4	1	29	L62732	SHIM 1/8X4X6	2
08		HOSE TRAY KIT	1		L62731	SHIM 1/16X3X4	2
		<i>Thru S/N 7513</i>		30	L62715	FLAT LOCK	2
	L99003	TILT ONLY		31	L64364	LEAF CHAIN SECTION	2
	L99004	TILT AND AUXILIARY			L510007	CAPSCREW 3/8-16X7/8	4
08		HOSE SLEEVE <i>S/N 7514 & Up</i>			L50147	3/8 LOCKWASHER.	4
	L66756	2.07 DIA. X 16'	1	32	L62731	SHIM 1/16X4X6	AR
	L66757	1.75"X16'	1	33	L62733	SHIM 1/16X3X4	AR
09	L64443	LT. TRUNNION MT.	1	34	L48805	BUSHING	2
	L50311	CAPS CREW 5/8-11X1	5	35	L61709	SIDE SLIDE PAD 3X4	2
	L520007	5/8-11 NYLON INSERT NUT.	5	36	L62733	SHIM 1/16X3X4	AR
10	L64661	RT. TRUNNION MT	1	37	L62734	SHIM 1/8X3X4	AR
	L50311	CAP SCREW 5/8-11X1	5	38	L500284	FRONT SHEAVE MNT KIT includes	
	L520007	5/8-11 NYLON INSERT NUT.	5		L64165	SHEAVE MOUNT BRACKET	3
11 ^{ab}		BOOM EXTEND CYLINDER	1		L64490	LOCK COLLAR, 2.0"	1
	L64385	<i>Thru S/N 7004</i>			L71204	FRONT SHEAVE PIN	1
	L64084	<i>S/N 7005 - 7445</i>			L71205	CHAIN SHEAVE WASHER	4
	L66770	<i>S/N 7446 & Up</i>		39	L500285	REAR SHEAVE MNT. KIT includes	
12	L61709	CYL. SLIDE PAD 3X4	1		L64165	SHEAVE MOUNT BRACKET	2
	L50251	CAP SCREW 3/8-16X3/4	2		L64490	LOCK COLLAR, 2.0"	1
	L50147	3/8 LOCKWASHER.	2		L71205	CHAIN SHEAVE WASHER	2
13	L64935	REAR SHEAVE PIN.	1		L71206	REAR SHEAVE PIN	1
	L50275	CAP SCREW 3/8-16X3	1	40	L64378	HOSE TRAY MOUNT. PLATE.	1
	L520005	3/8-16 NYLON INSERT NUT.	1			(Weld On)	
	L10057	GREASE ZERK	1				
14	L64360	SHEAVE	3	a		<i>Refer to Hydraulics Section For Breakdown.</i>	
15	L49619	INNER RING	3	d		<i>P/N Stamped on Cylinder Tube.</i>	

Inner Boom Group

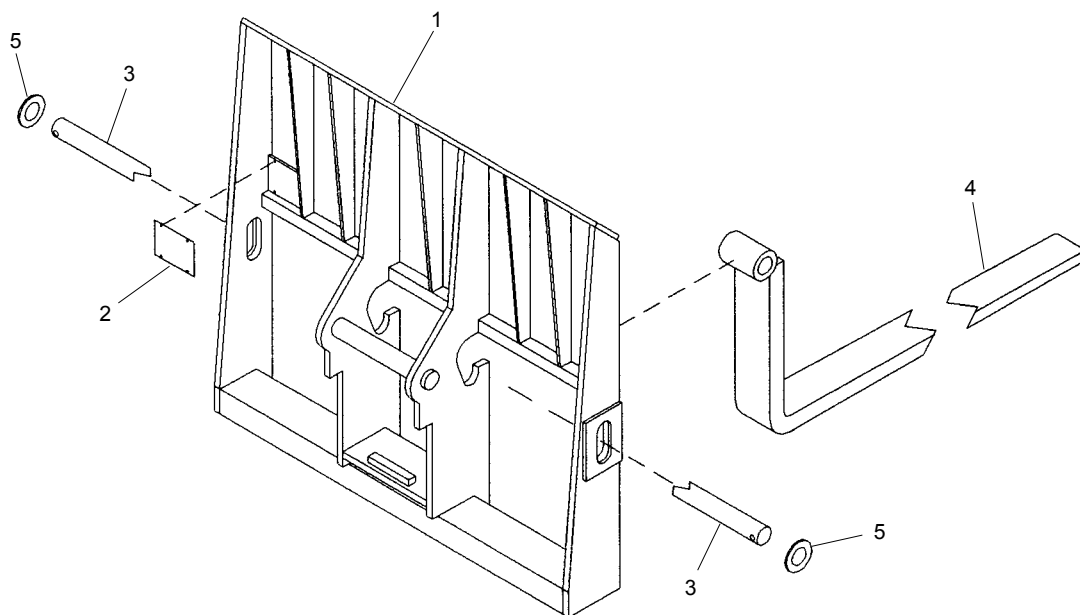


63bm3.tif

Inner Boom Group

Ref. No.	Part No.	Description	Qty. Req.	Ref. No.	Part No.	Description	Qty. Req.
01	L64553	INNER BOOM SECT. WELD.....	1	14	L62715	LOCK TAB.....	4
	L64383	CLEVIS BLOCK (<i>Weld On</i>).....	1	15	L61709	SIDE SLIDE PAD 3X4.....	2
02 ^{ab}		ATTACHMT. TILT CYL.....	1		L50403	CAP SCREW 3/8-16X1-1/4.....	4
	L49988A	S/N 7001 - 7004			L50147	3/8 LOCKWASHER.....	4
	L64086	S/N 7005 - 7444		16	L62734	SHIM 1/8X3X4.....	2
	L66665	S/N 7445 & Up		17	L61709	BOTT. SLIDE PAD 3X4.....	2
03	L48809	BRONZE BUSING 1.75X1.75.....	4		L50251	CAP SCREW 3/8-16X3/4.....	4
04	L62733	SHIM 1/16X3X4.....	AR	18	L62715	LOCK TAB.....	2
05	L41770	VINYL CLAMP 3/4".....	2	19	L64364	LEAF CHAIN.....	2
	L50056	5/16-18 SERR. FLGE. NUT.....	1	20	L64560	ATTACHMENT PIVOT PIN.....	2
06	L64551	BUTT END CYL. PIN.....	1	21	L50640	ROLL PIN 3/16X1-1/4.....	1
	L50273	CAP SCREW 3/8-16X2-3/4.....	1	22		DYNATTACH ASY. (<i>Items 21-25</i>)... 1	
	L520005	3/8-16 NYLON INSERT NUT.....	1		L98702	With Out Outriggers	
07		HOSE TRAY KIT (<i>Thru S/N 7513</i>) . 1			L98703	With Outriggers	
	L99003	TILT ONLY		23	L66453	LOCK PLATE & PIN ASY..... 1	
	L99004	TILT & AUXILLIARY				(<i>Incl. Item 24</i>)	
07	L66758	INNER HOSE TRAY..... 1		24	NSS	LOCK PLATE PIN..... 1	
		S/N 7514 & Up		25	L65097	LOCK SPRING..... 1	
	L52026	BUT. HD. BOLT 3/8-16X1-1/4..... 1			L65098	SPRING MOUNT..... 1	
	L520005	3/8-16 NYLON INSERT NUT..... 1		26	L400193	LOCK FLAT..... 2	
08	L64359	ADJUST.CLEVIS..... 1			L50367	CAP SCREW 3/8-16X1..... 2	
	L50092	JAM NUT 1-8..... 2			L50147	LOCKWASHER 3/8..... 2	
09	L64466	CLEVIS PIN..... 2		27	L64559	ROD END PIVOT PIN..... 1	
	L560003	COTTER PIN 3/32X1-1/4..... 2			L50273	CAP SCREW 3/8-16X2-3/4..... 1	
10	L64364	LEAF CHAIN 179-1/4"..... 1			L520005	3/8-16 NYLON INSERT NUT..... 1	
11	L64467	REAR CHAIN PIN..... 1		28	L66456	LOCK BUSHING..... 2	
	L50371	COTTER PIN 3/32X1-1/4..... 2		29		HOSE SLEEVE..... 1	
12	L61709	TOP SLIDE PAD 3X4..... 2			L66756	2.07" X 16"	
		<i>Thru S/N 7520</i>			L66757	1.75" X 16"	
	L50403	CAPSCREW 3/8-16X1-1/4..... 4		30	L64379	HOSE TRAY MOUNT PLATE..... 1	
12	L66780	TOP SLIDE PAD 3X8..... 2					
		S/N 7521 & Up					
	L50403	CAPSCREW 3/8-16X1-1/4..... 8		a	<i>Refer to Hydraulic Section For Breakdown.</i>		
13	L62734	SHIM 1/8X3X4..... 4		b	<i>P/N Stamped on Cylinder Tube.</i>		
		<i>Thru S/N 7520</i>					
13	L66782	SHIM 1/16X3X8..... 2					
		S/N 7521 & Up					
	L66783	SHIM 1/8X3X8..... 2					
		S/N 7521 & Up					
	L50261	CAP SCREW 3/8-16X1-1/2"..... 8					

Standard Carriage Attachment Group

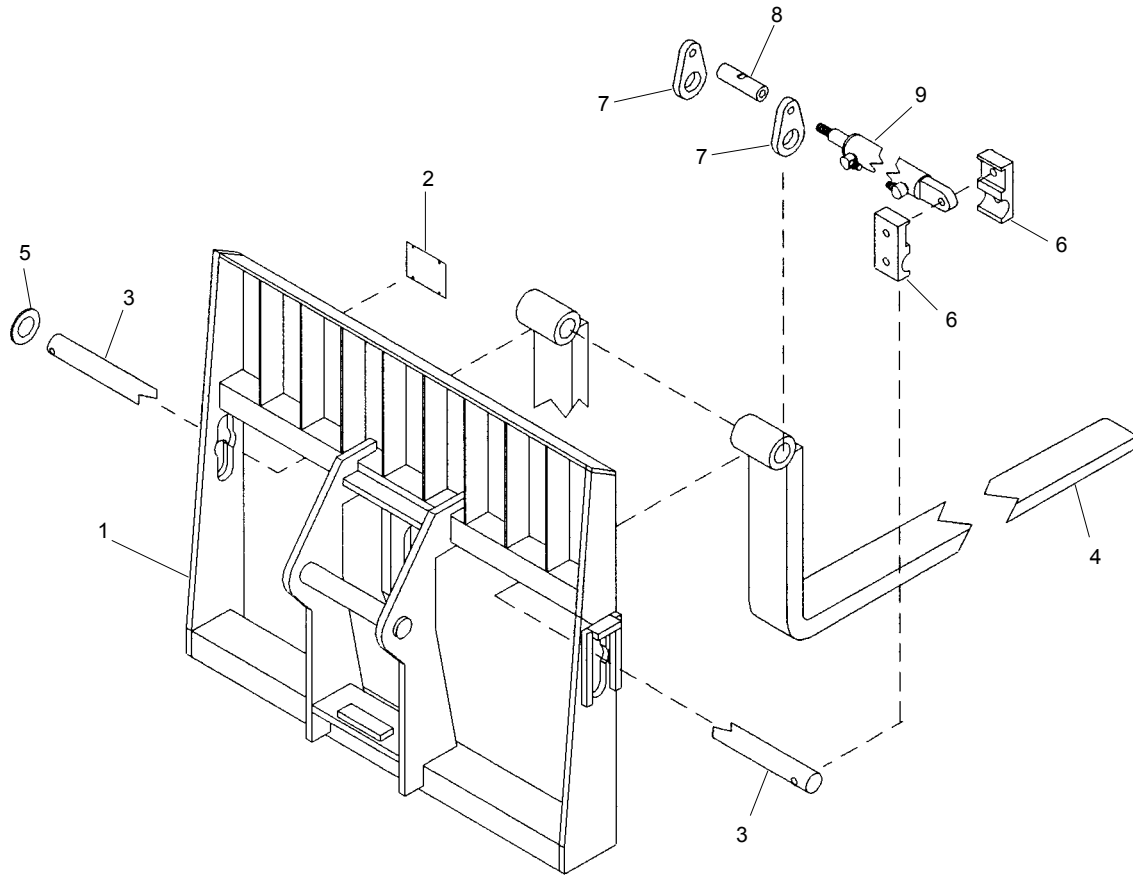


36-0265.dwg/53bm6.tif

Standard Carriage Attachment Group

Ref. No.	Part No.	Description	Qty. Req.	Ref. No.	Part No.	Description	Qty. Req.
01	L99190	STD. CARR. WELD. 48"	1	04	L47263	FORK 2X5X48 PALLET	2
01	L99191	STD. CARR. WELD. 66"	1	04	L60961	FORK FULLY TAPERED PALLET.	2
02	L66615	CAPACITY PLATE	1	04	L66406	BRICK FORK 2 1/4X4X48	2
	L42871	POPRIVET	4	04	L61001	BLOCK FORK 2X2X48.	2
03	L65223	FORK SHAFT BAR 48" (51.5" OAL) 1		04	L47265	FORK 2X5X60 PALLET	2
03	L64561	FORK SHAFT BAR 66" (69.5" OAL) 1		05	L400425	RETAINER.	2
					L510003	CAP SCREW 1/2-13X2-3/4	2
					L520019	1/2-13 NYLON INSERT NUT.	2

50" Fork Shift Carriage Attachment Group



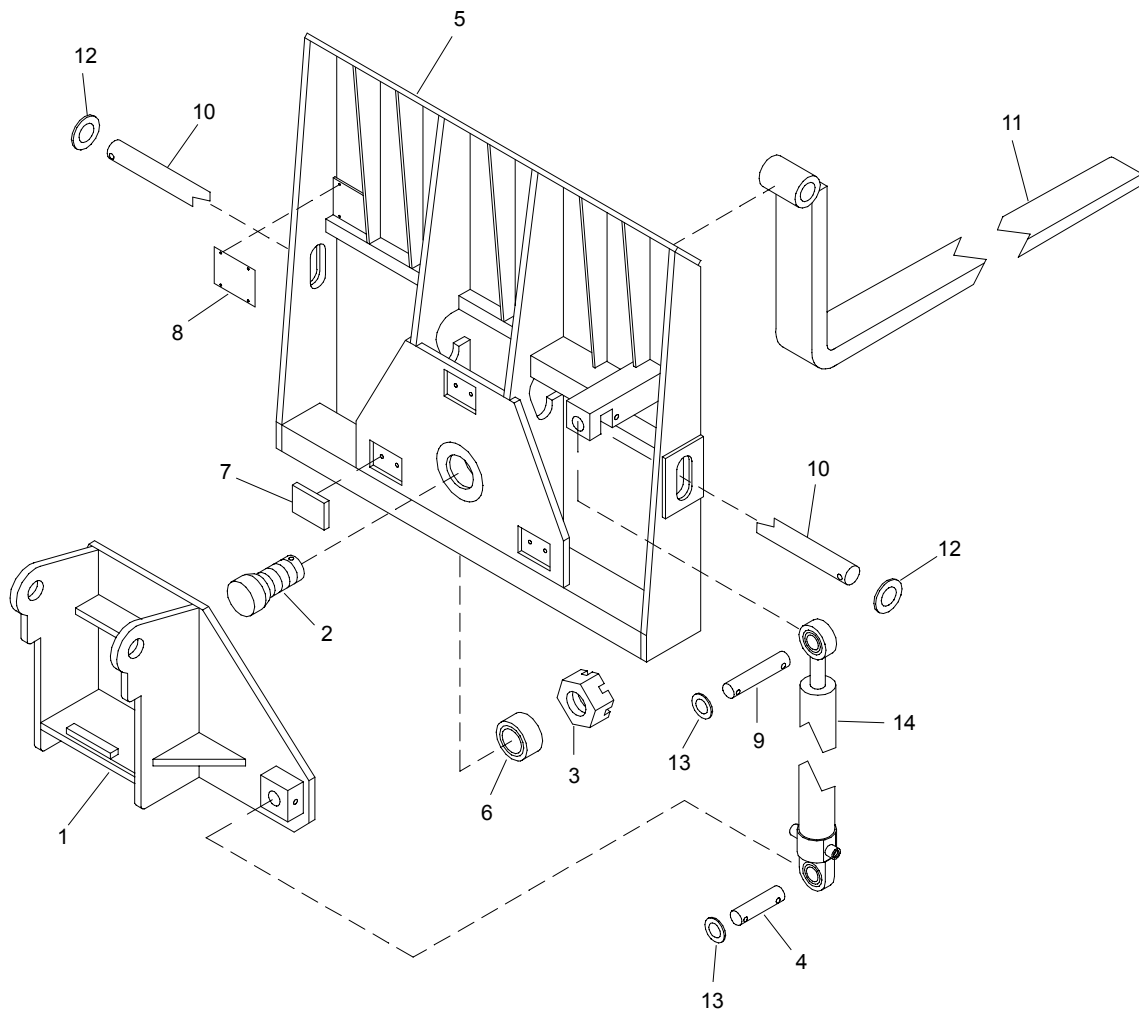
36-0265/83bm5.tif

50" Fork Shift Carriage Attachment Group

Ref. No.	Part No.	Description	Qty. Req.	Ref. No.	Part No.	Description	Qty. Req.
01	L500213	FORKSHIFT CARRIAGE	1	06	L66918	CYL. MOUNT HALF.	2
02	L66215	CAPACITY PLATE	1		L50562	CAP SCREW 3/4-10X4	2
	L42871	POPRIVET	4		L50519	NYLON INSERT NUT 3/4-10.	2
03	L66919	FORK SHAFT, 55.62" OAL	1	07	L66931	FORK SIDE PLATE	2
04	L47263	FORK 2X5X48 PALLET.	2		L50875	CAPSCREW 3/4-10X1-1/2	1
04	L66406	BRICK FORK 2 1/4X4X48.	2	08	L66948	SIDE COUPLER, 5" FORK.	1
04	L47265	FORK 2X5X60 PALLET.	2		L66921	SIDE COUPLER, 4" FORK.	1
05	L400425	RETAINER.	1	09 ^{ab}	L66920	FORK SHIFT CYLINDER.	1
	L50333	CAP SCREW 3/4-10X3	1				
	L50519	NYLON INSERT NUT 3/4-10.	1				

a Refer to Hydraulics Section Pages for Breakdown.
b P/N Stamped on Cylinder Tube.

Rotate Carriage Attachment Group



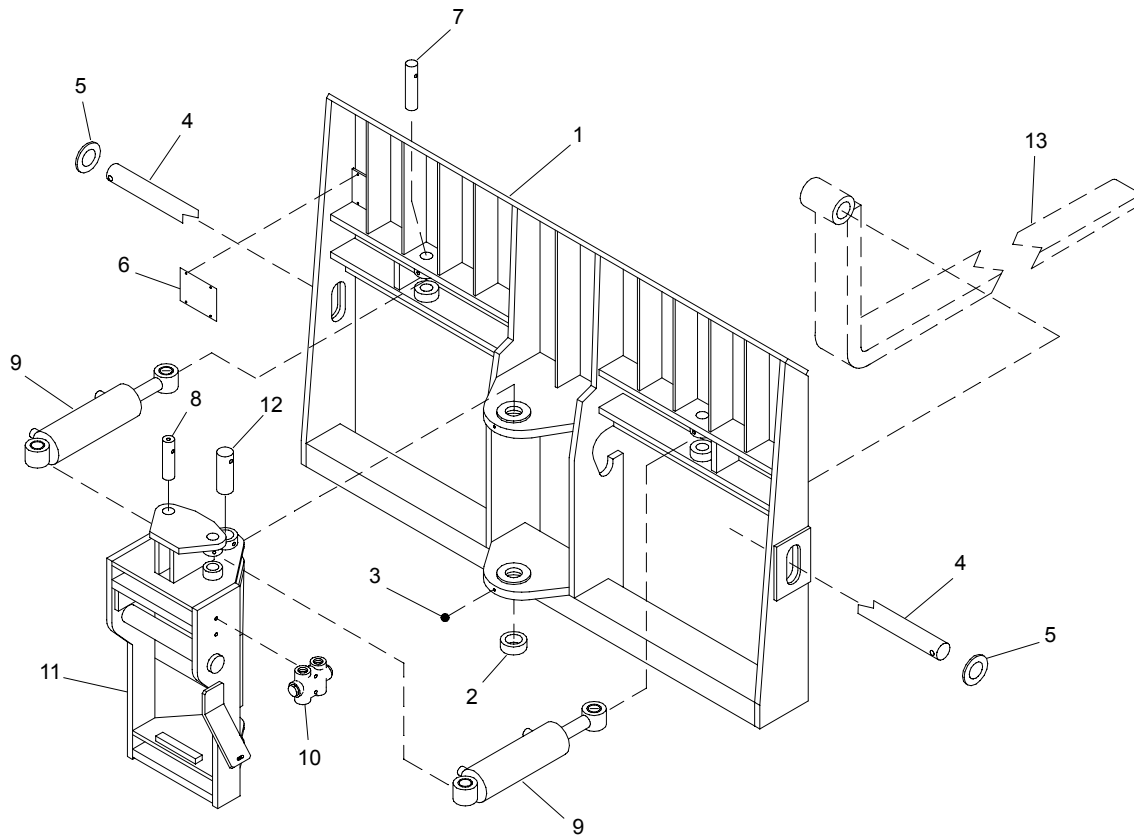
37-0266.dwg/83bmf02.wmf

Rotate Carriage Attachment Group

Ref. No.	Part No.	Description	Qty. Req.	Ref. No.	Part No.	Description	Qty. Req.
01	L65277	ROTATE PLATE WELD..... 1 (Incl. 2)	1	09	L65181	ROD END PIVOT PIN 1	1
02	L65149	ROTATE PIN (<i>Weld To Item 1</i>) 1	1		L50294	CAP SCREW 1/2-13X3-1/2 1	1
	L50801	CAP SCREW 3/8-16X4 1	1		L520019	1/2-13 NYLON INSERT NUT. 1	1
	L520005	3/8-16 NYLON INSERT NUT. 1	1		L50273	CAP SCREW 3/8-16X2-3/4 1	1
03	L50718	CASTELLATED NUT 2-1/2-12 1	1	10	L520005	3/8-16 NYLON INSERT NUT. 1	1
	L61287	WASHER 1	1		L65223	FORK SHAFT BAR 48", 51.5" OAL 1	1
04	L65180	BUTT END PIVOT PIN. 1	1		L64561	FORK SHAFT BAR 66", 69.5"OAL . 1	1
	L50892	CAP SCREW 1/2-13X4 1	1		L510003	CAP SCREW 1/2-13X2-3/4 2	2
	L520019	1/2-13 NYLON INSERT NUT. 1	1		L520019	1/2-13 NYLON INSERT NUT. 2	2
	L50273	CAP SCREW 3/8-16X2-3/4 1	1	11	L47263	FORK 2X5X48 PALLET. 2	2
	L520005	3/8-16 NYLON INSERT NUT. 1	1	11	L60961	FORK 2 1/4X6X60 2	2
05	L99223	ROT. CARR. WELD. 48" (<i>Incl. 6,7</i>) . . 1	1	11	L66406	BRICK FORK 2 1/4X4X48. 2	2
	L99222	ROT. CARR. WELD. 66" (<i>Incl. 6,7</i>) . . 1	1	11	L61001	BLOCK FORK 2X2X48 2	2
06	L65159	ASY. SPOOL W/BEARING 1	1	11	L47265	FORK 2X5X60 2	2
	L65151	SLEEVE 1	1	12	L400425	RETAINER. 2	2
	L810005	BEARING 1	1	13	L61307	SPACER 2	2
07	L61709	SLIDE PAD 3X4 3	3	14 ^{ab}		ROTATE CYLINDER 1	1
	L50261	CAP SCREW 3/8-16X1-1/2. 6	6		L61317	(<i>Old Style</i>)	
08	L66215	CAPACITY PLATE 1	1		L70655	(<i>New Style</i>)	
	L42871	POPRIVET 4	4				

a Refer to Hydraulics Section for Breakdown.
 b P/N Stamped on Cylinder Tube.

Swing Carriage Attachment Group
Thru S/N 2780



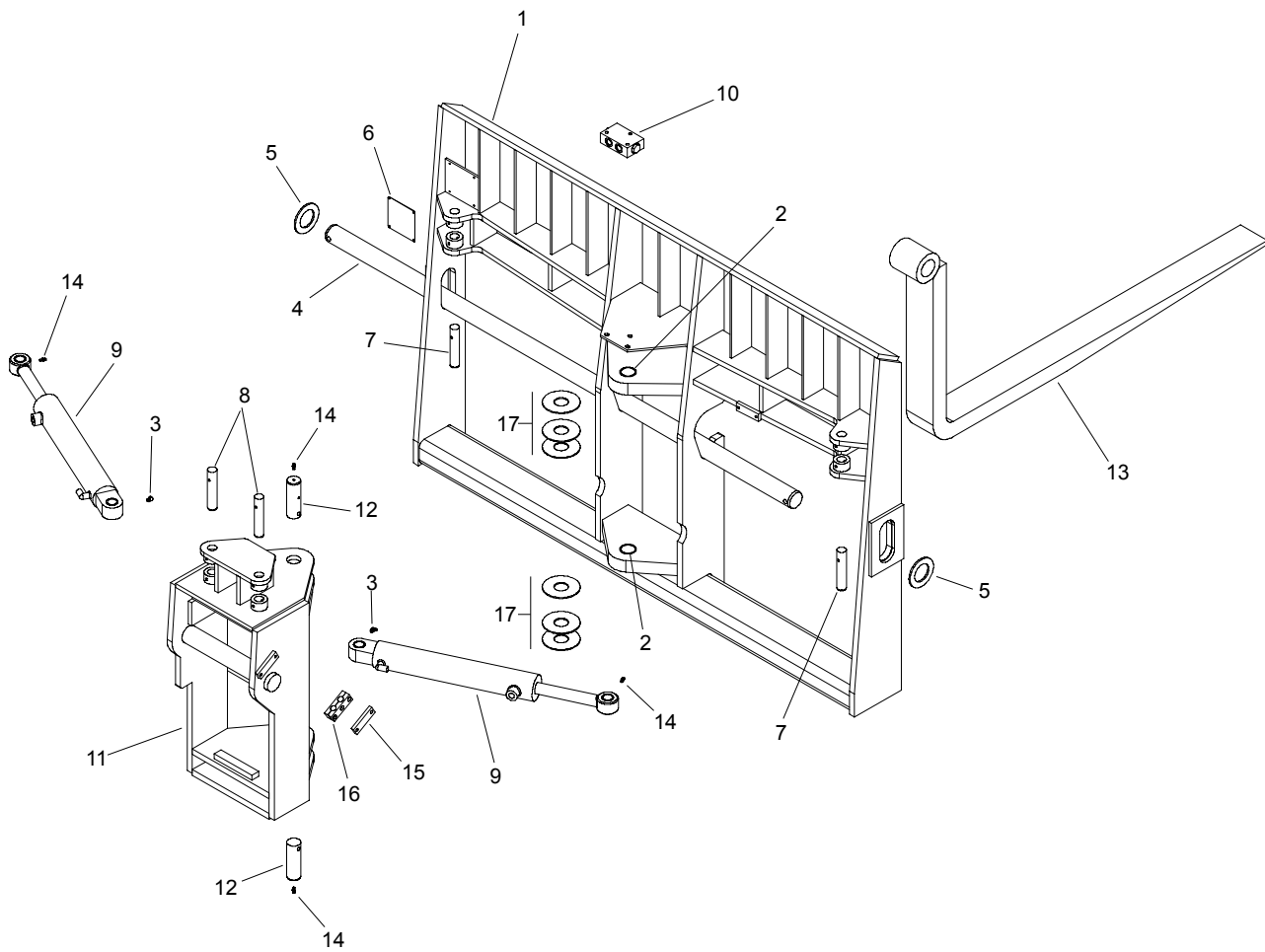
145-1715.dwg/83bmf03.wmf

Swing Carriage Attachment Group
Thru S/N 2780

Ref. No.	Part No.	Description	Qty. Req.	Ref. No.	Part No.	Description	Qty. Req.
01	L65264	CARRIAGE WELD. (Incl. Item 2) . . .	1	09 ^{ab}	L65659	SWING CARR. CYLINDER	2
02	L65263	BEARING.	2		L10465	STR. GREASE ZERK	4
03	L10057	90° GREASE ZERK 1/4-28	2	10	L276911	LOCK VALVE.	1
04	L64561	FORK SHAFT BAR, 69.5" OAL . . .	1		L50815	CAP SCREW 5/16-18X2-1/2	2
	L510003	CAP SCREW 1/2-13X2-3/4	2		L520004	5/16-18 NYLON INSERT NUT.	2
	L520019	1/2-13 NYLON INSERT NUT.	2	11	L65262	CARR. PIVOT WELD	1
05	L400425	RETAINER.	2	12	L65256	SWING PIVOT PIN	2
06	L66215	CAPACITY PLATE	1		L50275	CAP SCREW 3/8-16X3	2
	L42871	POP RIVET.	4		L520005	3/8-16 NYLON INSERT NUT.	2
07	L65657	ROD END PIVOT PIN	2	13	L47263	FORK 2X5X48 PALLET.	2
	L50815	CAP SCREW 5/16-18X2-1/2	2	13	L60961	FORK 2 1/4X6X60	2
	L520004	5/16-18 NYLON INSERT NUT.	2	13	L66406	BRICK FORK 2 1/4X4X48.	2
08	L65658	BUTT END PIVOT PIN.	2	13	L61001	BLOCK FORK 2X2X48	2
	L50815	CAP SCREW 5/16-18X2-1/2	2	13	L47265	FORK 2X5X60	2
	L520004	5/16-18 NYLON INSERT NUT.	2				

a Refer to Hyd. Comp. Pages For Breakdown.
 b Refer to Part No. Stamped on Cylinder Tube.

Swing Carriage Attachment Group
S/N 2781 & Up



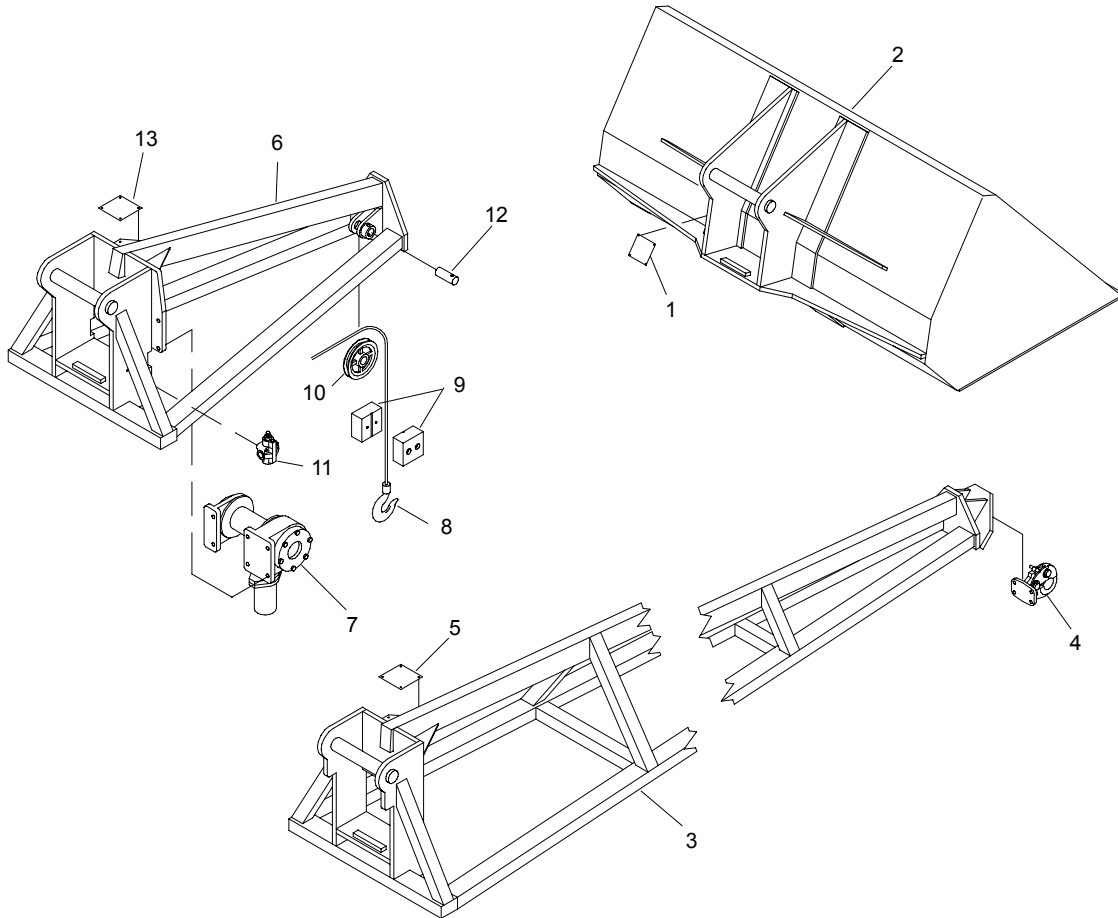
L66778.prt/L66778.cgm

Swing Carriage Attachment Group
S/N 2781 & Up

Ref. No.	Part No.	Description	Qty. Req.	Ref. No.	Part No.	Description	Qty. Req.
01	L500216	CARRIAGE WELD. (Incl. Item 2) . . .	1	10	L65689	LOCK VALVE	1
02	L63468	BRONZE BUSHING	2		L50835	CAP SCREW 5/16-18X2	3
03	L10057	90° GREASE ZERK 1/4-28	2		L50056	5/16-18 SERRATED FLNG NUT . . .	3
04	L64561	FORK SHAFT BAR	1	11	L65262	CARR.PIVOT WELD	1
	L510003	CAP SCREW 1/2-13X2-3/4	2	12	L63994	SWING PIVOT PIN	2
	L520019	1/2-13 NYLON INSERT NUT	2		L50273	CAP SCREW 3/8-16X2-3/4	2
05	L400425	RETAINER	2		L520005	3/8-16 NYLON INSERT NUT	2
06	L66215	CAPACITY PLATE	1	13	L47263	FORK 2X5X48 PALLET	2
	L42871	POP RIVET	4	13	L60961	FORK 2 1/4X6X60	2
07	L63995	ROD END PIVOT PIN	2	13	L66406	BRICK FORK 2 1/4X4X48	2
	L50815	CAP SCREW 5/16-18X2-1/2	2	13	L61001	BLOCK FORK 2X2X48	2
	L520004	5/16-18 NYLON INSERT NUT	2	13	L47265	FORK 2X5X60	2
08	L63995	BUTT END PIVOT PIN	2	14	L10465	STR GREASE ZERK	4
	L50815	CAP SCREW 5/16-18X2-1/2	2	15	L63715	HOSE CUSHION TOP PLATE	1
	L520004	5/16-18 NYLON INSERT NUT	2	16	L63716	.68 HOSE CUSHION	1
09 ^{ab}	L63970	SWING CARR.CYLINDER	2	17	L63951	THRUST WASHER	6

a Refer to Hyd. Comp. Pages For Breakdown.
 b Refer to Part No. Stamped on Cylinder Tube.

Trust Boom & Bucket Attachments Group

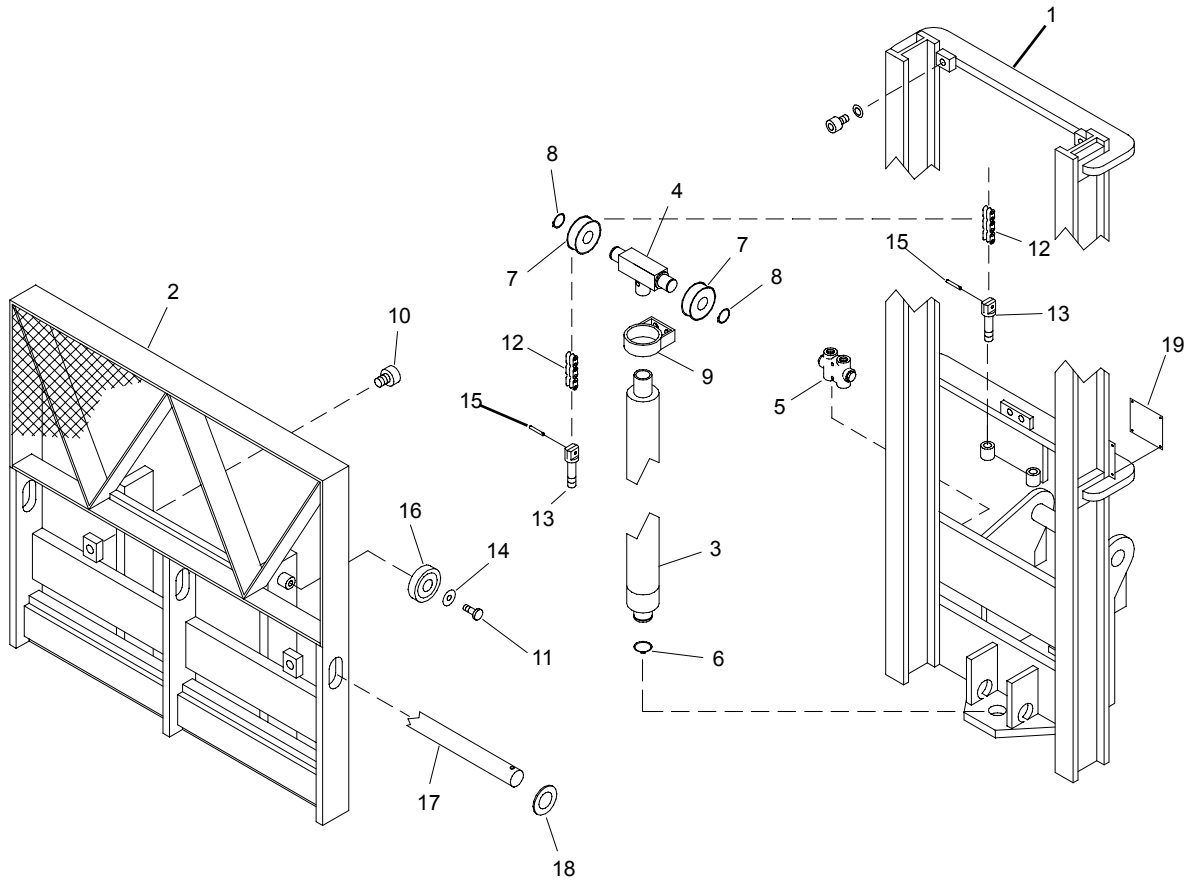


147-1717.dwg/83bmf04.wmf

Trust Boom & Bucket Attachments Group

Ref. No.	Part No.	Description	Qty. Req.	Ref. No.	Part No.	Description	Qty. Req.
1 CU. YD. BUCKET				08	L66946	CABLE W/HOOK 3/8X60"	1
01	L66615	CAPACITY PLATE	1	09	L60451	WINCH BALL	1
	L42871	POP RIVET	4		L50371	CAPSCREW 3/8-16X2-1/2	2
02	L500198	BUCKET WELDMENT	1		L50147	3/8 LOCKWASHER	2
	L42797	CUTTING EDGE	1	10	L65338	SHEAVE	1
15 FT. TRUSS BOOM				11	L82358	RELIEF VALVE	1
03	L99235	TRUSS BOOM WELDMENT	1		L50841	CAP SCREW 1/4-20X2-1/2	2
04	L61411	PINTLE HOOK	1		L520003	1/4-20 NYLON INSERT NUT	2
	L50379	CAPSCREW 1/2-20X1	4	12	L65793	SHEAVE PIN	1
	L50152	LOCKWASHER 1/2	4		L50371	CAP SCREW 3/8-16X2-1/2	1
05	L66615	CAPACITY PLATE	1		L520005	3/8-16 NYLON INSERT NUT	1
	L42871	POP RIVET	4	13	L66615	CAPACITY PLATE	1
WINCH TRUSS BOOM					L42871	POP RIVET	4
06	L500218	WINCH TRUSS WELD	1	a	<i>Refer to Hydraulics Section for Breakdown.</i>		
07 ^a	L60458	WINCH ASY.	1				
	L50289	CAP SCREW 1/2-13X2-1/4	6				
	L520019	1/2-13 NYLON INSERT NUT	6				

6 Ft. Mast Attachment Group (Old Style)

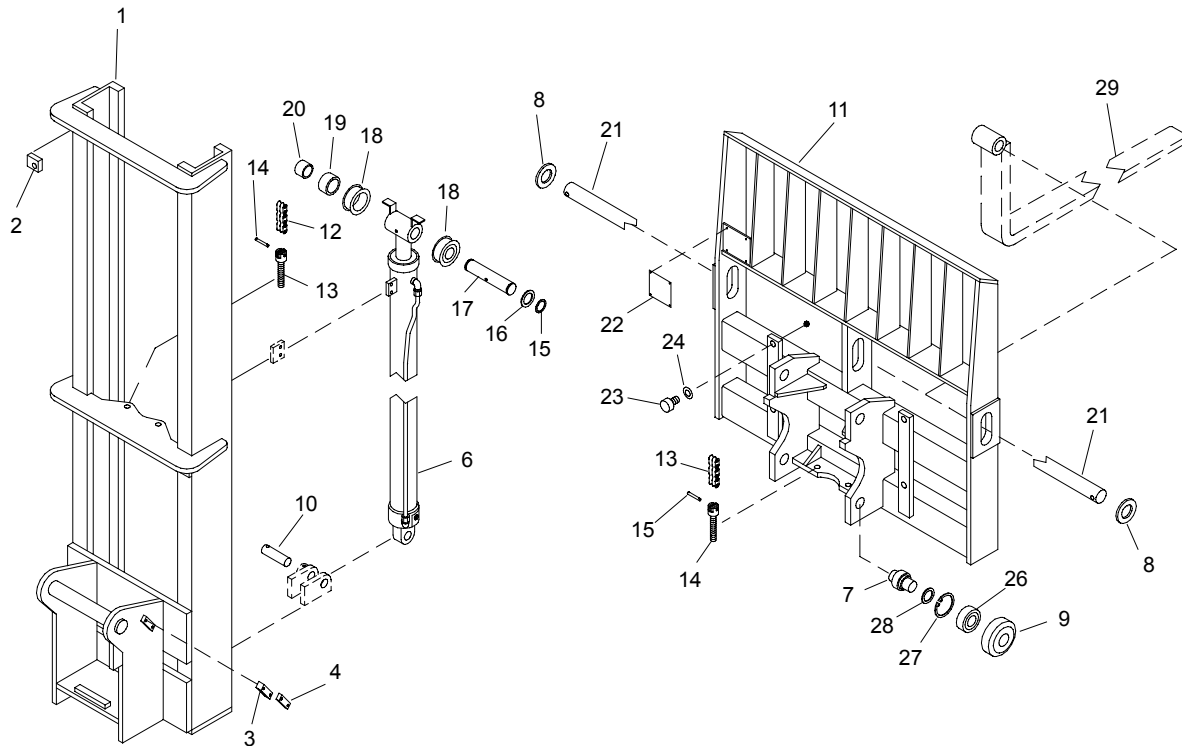


146-1716.dwg/83bmf05.wmf

6 Ft. Mast Attachment Group (Old Style)

Ref. No.	Part No.	Description	Qty. Req.	Ref. No.	Part No.	Description	Qty. Req.
01	L97979	RAIL WELDMT.	1	12	L97986	CHAIN	2
02	L97980	CARRIAGE WELDMT.	1	13	L97987	CHAIN ANCHOR	4
	L97981	GUARD WELDMT. ONLY	1	14	L97992	SHIM	12
03 ^{ab}	L97982	LIFT CYLINDER.	1	15	L97988	CONNECTING PIN	4
		STOP BOLT	2	16	L97991	LOAD ROLLER	4
		LOCKWASHER.	2	17	L97989	TINE SHAFT	1
04	L97983	CYL.HEAD ASSY.	1	18	L400425	RETAINER.....	2
05	L276911	LOCK VALVE	1		L510003	CAP SCREW 1/2-13X2-3/4	2
	L50815	CAP SCREW 5/16-18X2-1/2	2		L520019	1/2-13 NYLON INSERT NUT.....	2
	L520004	5/16-18 NYLON INSERT NUT.....	2	19	L60528	CAPACITY PLATE	1
06		RETAINING RING	1		L42872	RIVET.....	4
07	L97984	CHAIN ROLLER.	2				
08		RETAINING RING.....	2	<i>a</i>		<i>Refer to Hyd. Comp. Pages For Breakdown.</i>	
09	L97985	CYL.STABLIZER	1	<i>b</i>		<i>Refer to Part No. Stamped on Cyl. Tube.</i>	
10	L97993	SIDE THRUST ROLLER	4			<i>Items w/o Part Nos. Contact Factory.</i>	
11		SCREW.....	4				

6 Ft. Mast Attachment Group (New Style)

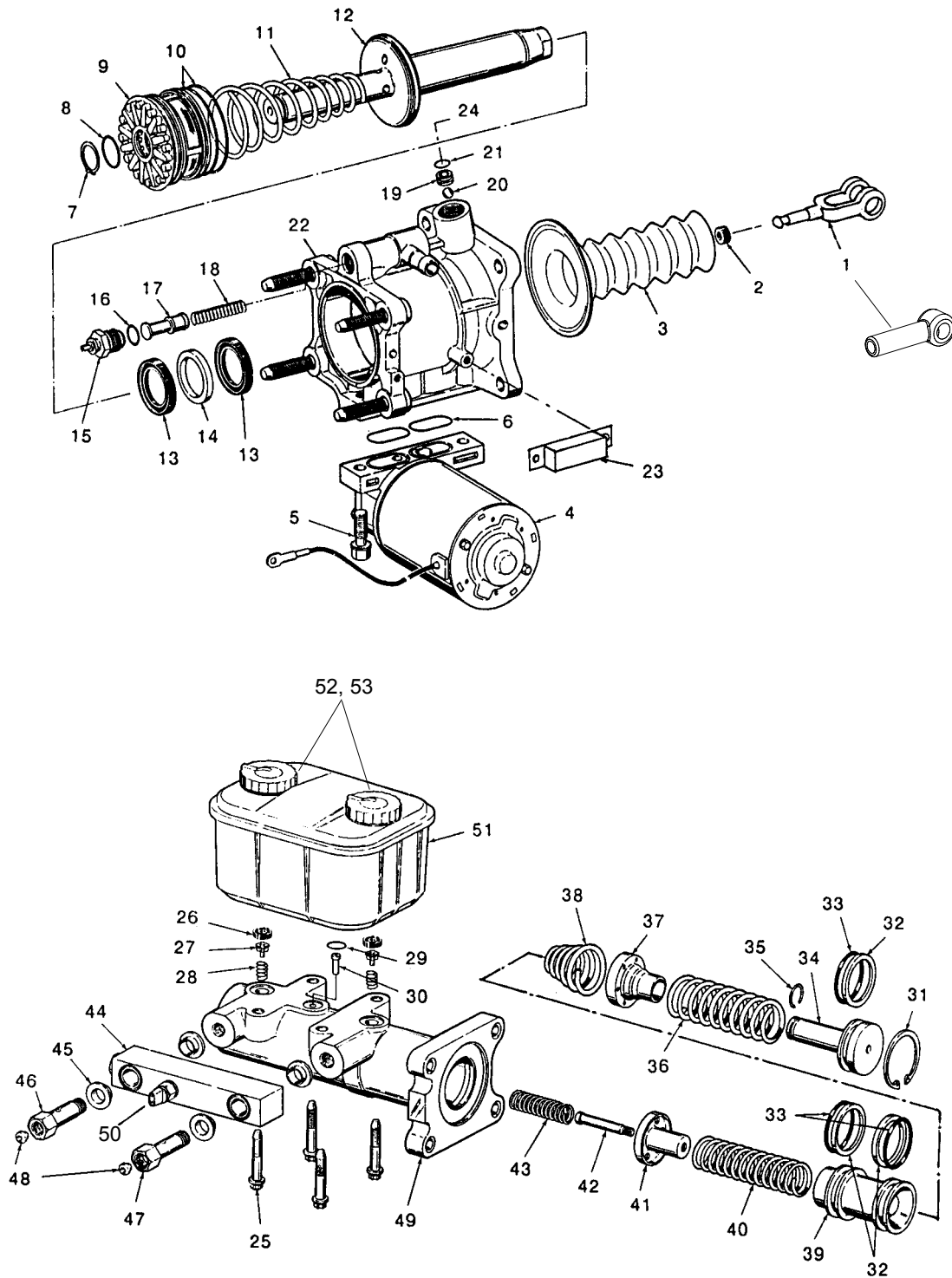


594-5013.dwg/83bmf05.wmf

6 Ft. Mast Attachment Group (New Style)

Ref. No.	Part No.	Description	Qty. Req.	Ref. No.	Part No.	Description	Qty. Req.
01	L66490	MAST RAIL WELD.	1	16	L66534	SPACER	4
02	L66493	STOP BLOCK-(Weld to [1])	2	17	L66597	SHEAVE PIN	1
	L510003	CAP SCREW 1/2-13X2-3/4	2	18	L63153	SHEAVE	2
	L520019	1/2-13 NYLON INSERT NUT.....	2	19	L63158	INNER RING	2
03	L63716	HOSE CUSHION	2	20	L63157	BEARING.....	2
04	L63715	CUSHION PLATE	1	21	L65223	FORK SHAFT	1
	L50561	CAP SCREW 5/16-18X1-3/4	2		L50371	CAP SCREW 3/8-16X2-1/2	2
	L520004	5/16-18 NYLON INSERT NUT			L520005	3/8-16 NYLON INSERT.....	2
05	L66485	CARRIAGE WELDMENT	1	22	L66615	CAPACITY PLATE	1
06 ^{ab}	L66537	EXT. CYLINDER	1		L42871	POP RIVET.....	4
	L50836	CAP SCREW 3/8-16X1-3/4	2	23	L66533	SIDE THRUST ROLLER	4
	L520005	3/8-18 NYLON INSERT NUT.....	2		L520007	NYLON INSERT NUT 5/8-11.....	4
07	L80343	STUB SHAFT (Weld to [12]).....	4	24	L66669	5/8 MACH. WASHER	4
08	L400425	RETAINER WASHER.....	2	25	L10465	GREASE ZERK 1/4 STR.....	4
09		LOAD ROLLER	4	26	L80292	SPECIAL BEARING.....	4
		(Specify Dia. Stamped on Mast)		27	L80293	RETAINER RING	4
	L81429	5.040" DIA		28	L82174	SPACER SHIM .030".....	AR
	L81431	5.050" DIA			L82175	SPACER SHIM .020".....	AR
	L81432	5.070" DIA		29	847282	FORK TINE SET-Incl:.....	1
	L81433	5.080" DIA			L47263	FORK 2X5X48 PALLET.....	2
	L81434	5.090" DIA		29	804485	FORK TINE SET-Incl:.....	1
10	L66498	LOWER CYL. MT. PIN	1		L47265	FORK 2 1/4X6X60	2
	L50371	CAP SCREW 3/8-16X2-1/2	1	29	805333	FORK TINE SET-Incl:.....	1
	L520005	3/8-18 NYLON INSERT NUT.....	1		L66406	BRICK FORK 2 1/4X4X48.....	2
11	L66485	CARRIAGE WELDMENT	1	29	804602	FORK TINE SET-Incl:.....	1
12	L66529	CHAIN 85 P 53.125"	2		L61001	BLOCK FORK 2X2X48	2
13	L63166	ADJUST.CLEVIS	4	29	847283	FORK TINE SET-Incl:.....	1
	L50669	CAP SCREW 3/4-10X1-1/2 GR8 ..	2		L47265	FORK 2X5X60	2
	L50519	3/4-10 NYLON INSERT NUT.....	2				
14	L63167	CLEVIS PIN	4	a		Refer to Hyd. Comp. Pages For Breakdown.	
	L50612	COTTER PIN	8	b		Refer to Part No. Stamped on Cylinder Tube.	
15	L80844	SNAP RING	2				

Power Brake/Master Cylinder Assembly

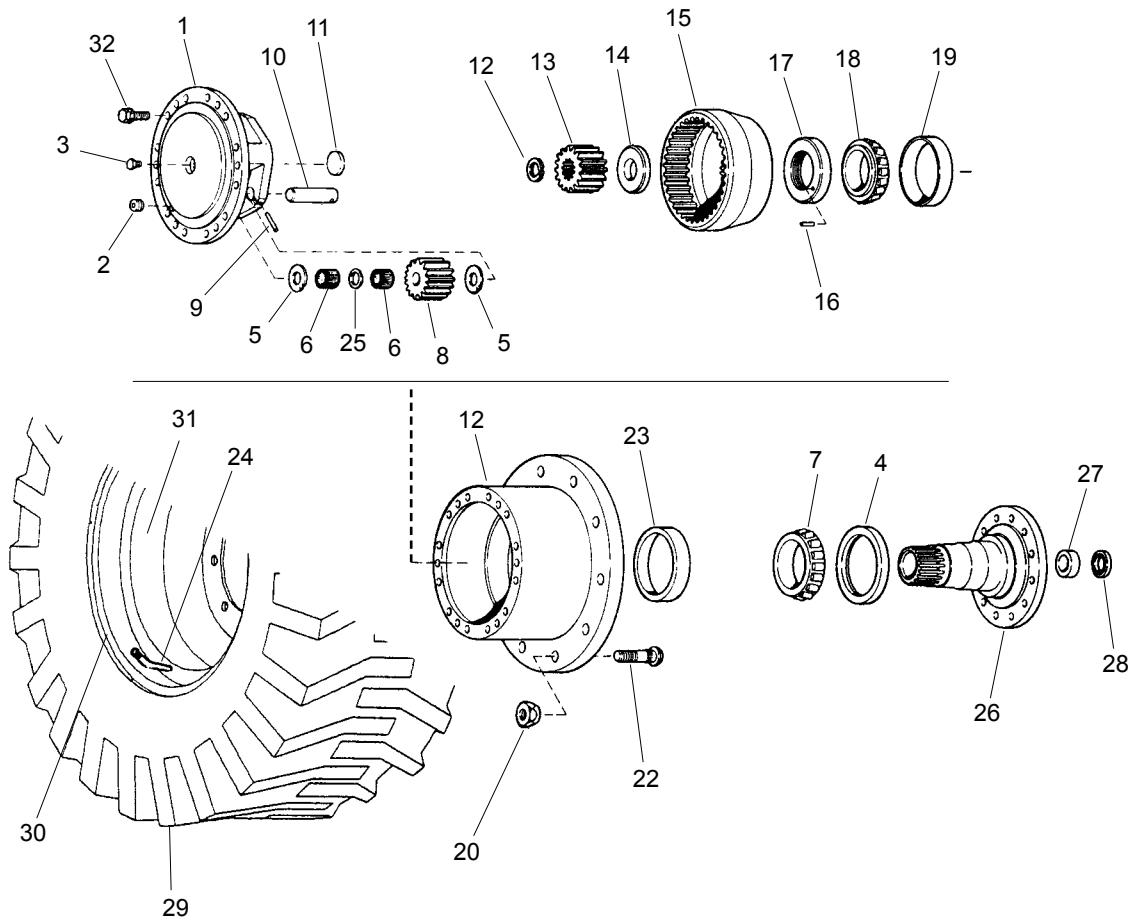


63ax11.tif

Power Brake/Master Cylinder Assembly

Ref. No.	Part No.	Description	Qty. Req.	Ref. No.	Part No.	Description	Qty. Req.
-		COMPLETE ASY.....	1			MASTER CYLINDER SECTION	
	L99113	Thru S/N 7522	1	25	NSS	SPECIAL MTG. BOLTS	4
	L66814	S/N 7523 & Up		26 ^a		COMPENSAT. VALVE SEAL.....	2
-		BOOSTER SECT. <i>Less Motor</i>	1	27	NSS	POPPET	2
	L99113	Thru S/N 7522		28	NSS	SPRING.....	2
	L99210	S/N 7523 & Up		29 ^a		O-RING SEAL	1
-		MASTER CYL. SECT. ONLY	1	30	NSS	STOP.....	1
	L97693	Thru S/N 7522		31 ^a		LOCK RING.....	1
	L99209	Thru S/N 7522		32 ^a		BACKUP RING	3
		BOOSTER SECTION		33 ^a		PRESSURE SEAL	3
01	L99410	EYE PEDAL ROD	1	34 ^a		PRIMARY PISTON.....	1
		Thru S/N 7522		35 ^a		RETAINING RING	1
01	L99409	CLEVIS PEDAL ROD.....	1	36 ^a		ACTUATOR SPRING	1
		S/N 7523 & Up		37 ^a		PRIMARY ACTUATOR.....	1
02	L99408	GROMMET	1	38 ^a		RETURN SPRING	1
03	L99411	BOOT	1	39 ^a		SECONDARY PISTON.....	1
04	L97688	ELEC. MTR. PUMP ASY.....	1	40 ^a		ACTUATOR SPRING.....	1
		(Incl. Item 6)		41 ^a		SECONDARY ACTUATOR.....	1
05	L97689	SPECIAL BOLTS	2	42 ^a		CAGING BOLT.....	1
06	L98072	FACE SEAL.....	2	43 ^a		RETURN SPRING	1
07	NSS	SNAP RING.....	1	44	NSS	DIFF. PRESS. SWITCH	1
08	NSS	O-RING	1	45 ^a		SEAL BUSHING.....	4
09	NSS	FILTER & END CAP ASY.....	1	46	NSS	SECONDARY FITTING	1
10	NSS	O-RING	2	47	NSS	PRIMARY FITTING	1
11	NSS	RETURN SPRING	1	48 ^a		TUBE SEAT INSERTS.....	2
12	NSS	POWER PISTON ASY.....	1	49	NSS	HOUSING	1
13	NSS	INPUT SHAFT SEALS	2	50		PRESS. SWITCH.....	1
14	NSS	INPUT SHAFT BUSHING.....	1		L98845	Thru S/N 7522	
15	L97690	FLOW SW. CONTACT ASY.....	1		L99335	S/N 7523 & Up	
16	NSS	O-RING	1	51	L99402	RESERVOIR	1
17	NSS	FLOW SW. PISTON.....	1	52	L99403	RESERVOIR CAP	2
18	NSS	FLOW SW. SPRING.....	1	53	L500208	RESERVOIR CAP GASKET.....	2
19	NSS	INLET CHK. VALVE SEAT	1				
20	NSS	INLET CHK. BALL	1				
21	NSS	O-RING	1				
22	NSS	HOUSING	1				
23		RELAY.....	1				
	L97701	Thru S/N 7522					
	L99245	S/N 7523 & Up					
	L64889	BRACKET.....	1				
24	L62997	INLET FITTING	1				
				a		S/N 7523 & Up, Use P/N L99328	

Planetary & Wheel Assembly (7036 Series)

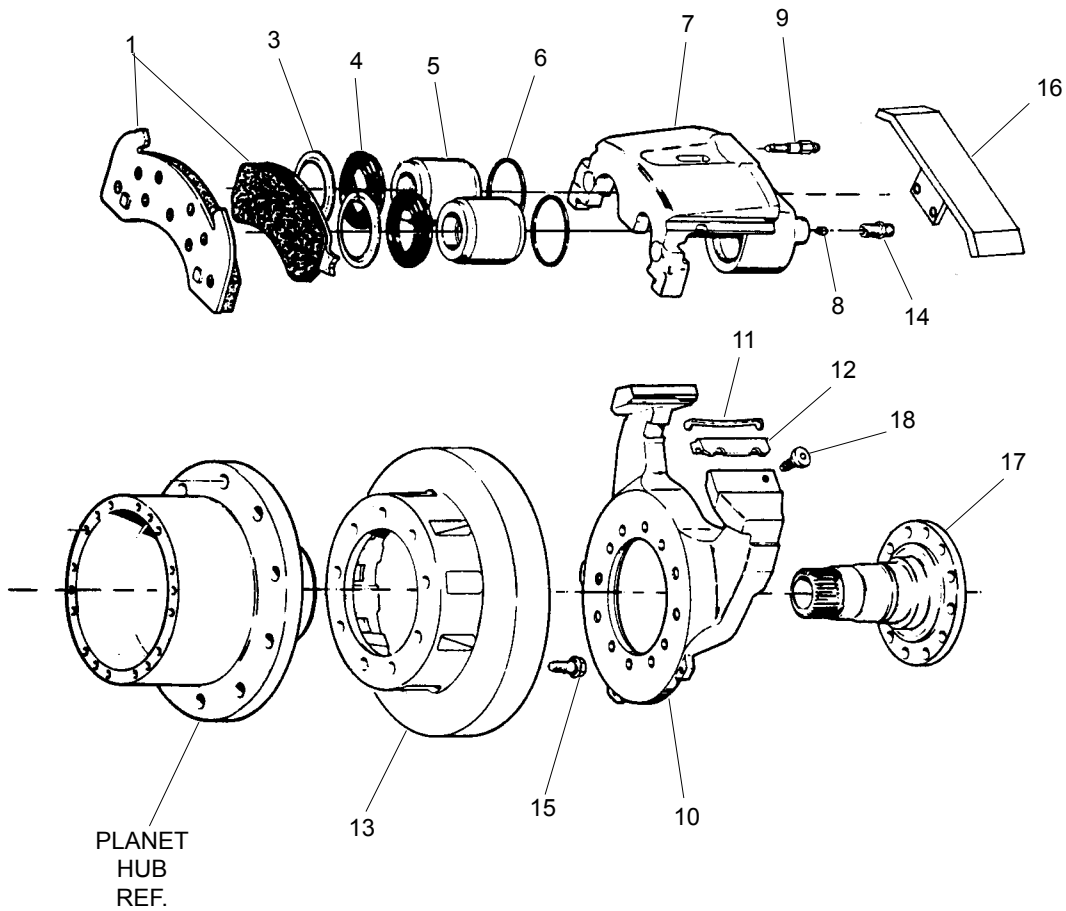


63ax12.tif

Planetary & Wheel Assembly (7036 Series)

Ref. No.	Part No.	Description	Qty. Req.	Ref. No.	Part No.	Description	Qty. Req.
01	L97645	DRIVE FLANGE.....	1	20	L93101	WHL.. MTG. NUT 3/4-16	10
02	L93777	PIPE PLUG	1	21	L97124	PLANET HUB	1
03	L97108	VENT.....	1	22	L93097	WHL.MTG.STUD	10
04	L97128	HUB SEAL.....	1	23	L97126	INNER BRG. CUP	1
05	L97109	SPACER	6	24	L66626	VALVE STEM (New Large Hole)...	4
06	L93129	NEEDLE BEARING	150		L63222	VALVE STEM (Old 5/8" Hole).....	4
07	L97127	INNER BRG. CONE.....	1	25	L97111	SPACER RING BRG.....	3
08	L97864	SPUR PLANET GEAR.....	3	26	L97858	SPINDLE.....	1
09	L97113	SPACER PIN	3	27	L97856	OUTER SHAFT BUSHING.....	1
10	L97866	PLANET GEAR PIN.....	3	28	L97857	OUTER SHAFT OIL SEAL	1
11	L96744	THRUST WASHER	1	29		WHEEL & TIRE ASY	1
12	L97868	SNAP RING	1		L68668	13X24X12PLY	
13	L97869	SPUR SUN GEAR.....	1		L68669	13X24X12PLY STL.GRD.	
14	L97870	FLAT SPACER.....	1		L68670	14X24X12PLY	
15	L97871	PLANET RING GEAR	1	30	L93972	WHEEL FLANGE	4
16	L96738	ROLL PIN	1		L93970	SNAP RING	4
17	L93103	LOCK NUT.....	1		L93971	O-RING.....	4
18	L97122	OUTER BRG. CONE	1	31	L6866	ONE PIECE RIM	4
19	L97123	OUTER BRG. CUP.....	1	32	L99147	CAPSCREW	12

Brake Caliper Assembly (7036 Series)

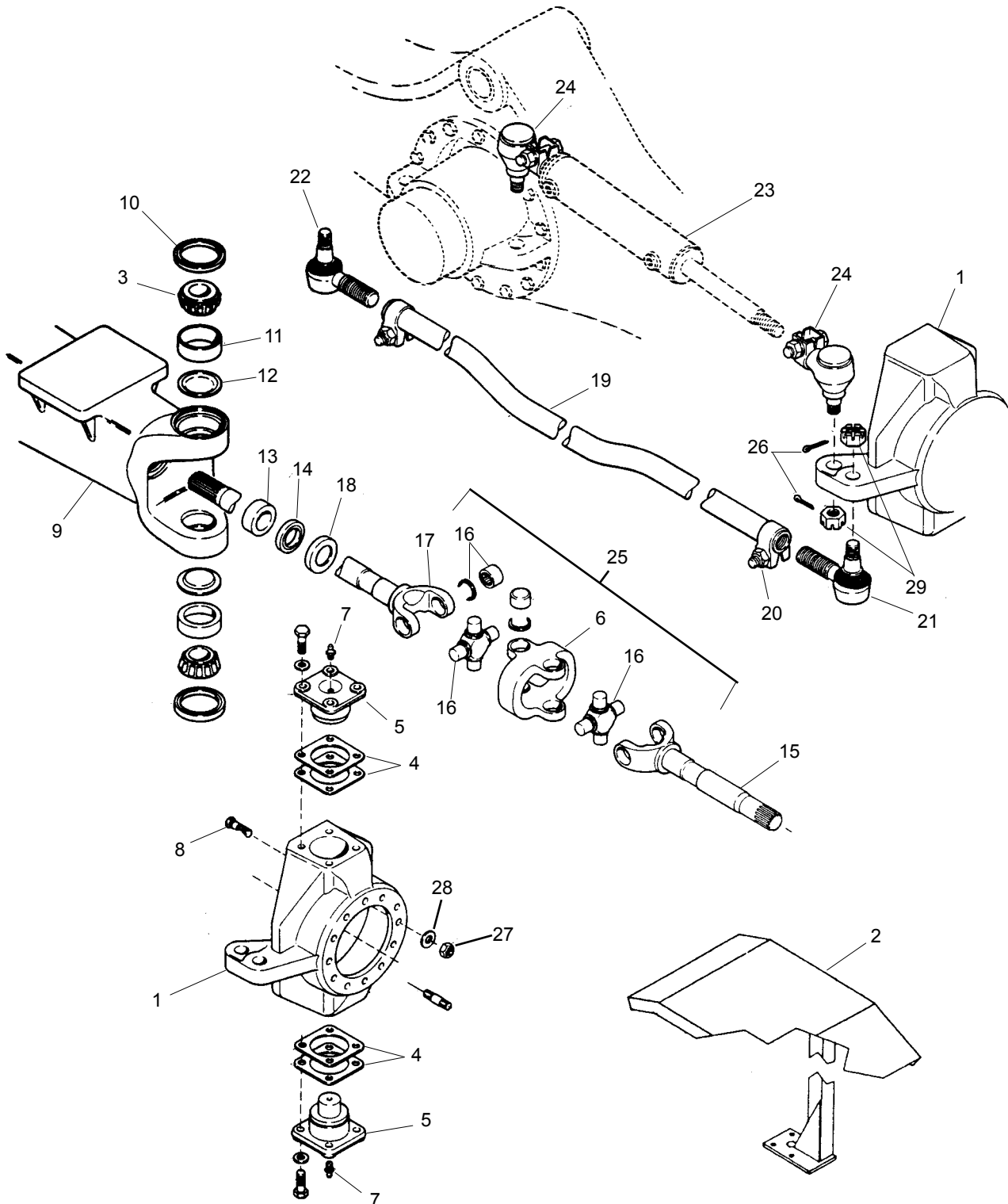


63ax14.tif

Brake Caliper Assembly (7036 Series)

Ref. No.	Part No.	Description	Qty. Req.	Ref. No.	Part No.	Description	Qty. Req.
-	L97780	COMPL. CALIPER ASY.	2	11	L97160	COMPRESSION SPRING	1
		(Items 3-8 For Brake Fluid Appl.)		12	L97161	CALIPER SUPPORT KEY	1
01	L99199	BRAKE PAD LINING KIT	1	13	L97163	DISC	1
		(Incl. 2 inner and 2 outer pads)		14	L65226	HYD. FLUID FTG.	1
03	L97153	DUST BOOT SHIELD.	2	15	L97328	BOLT	9
04	L97766	DUST BOOT	2	16	L64901	BRAKE GUARD	2
05	L97155	PISTON	2		L50230	CAP SCREW 5/16-18X3/4	4
06	L97765	PISTON SEAL	2		L50143	LOCKWASHER 5/16.	4
07	L97169	CALIPER HOUSING	1	17	L97858	SPINDLE	2
08	L97157	TUBE INSERT SEAT	2	18	L97162	SOCKET HD. SCREW	1
09	L97158	BLEEDER SCREW	1				
10	L97345	LF,RR CALIPER BRKT.	1				
	L97346	RF,LR CALIPER BRKT.	1				
	L97162	SOC. HD. SET SCREW	1				

Outer Knuckle End Group (7036 Series)

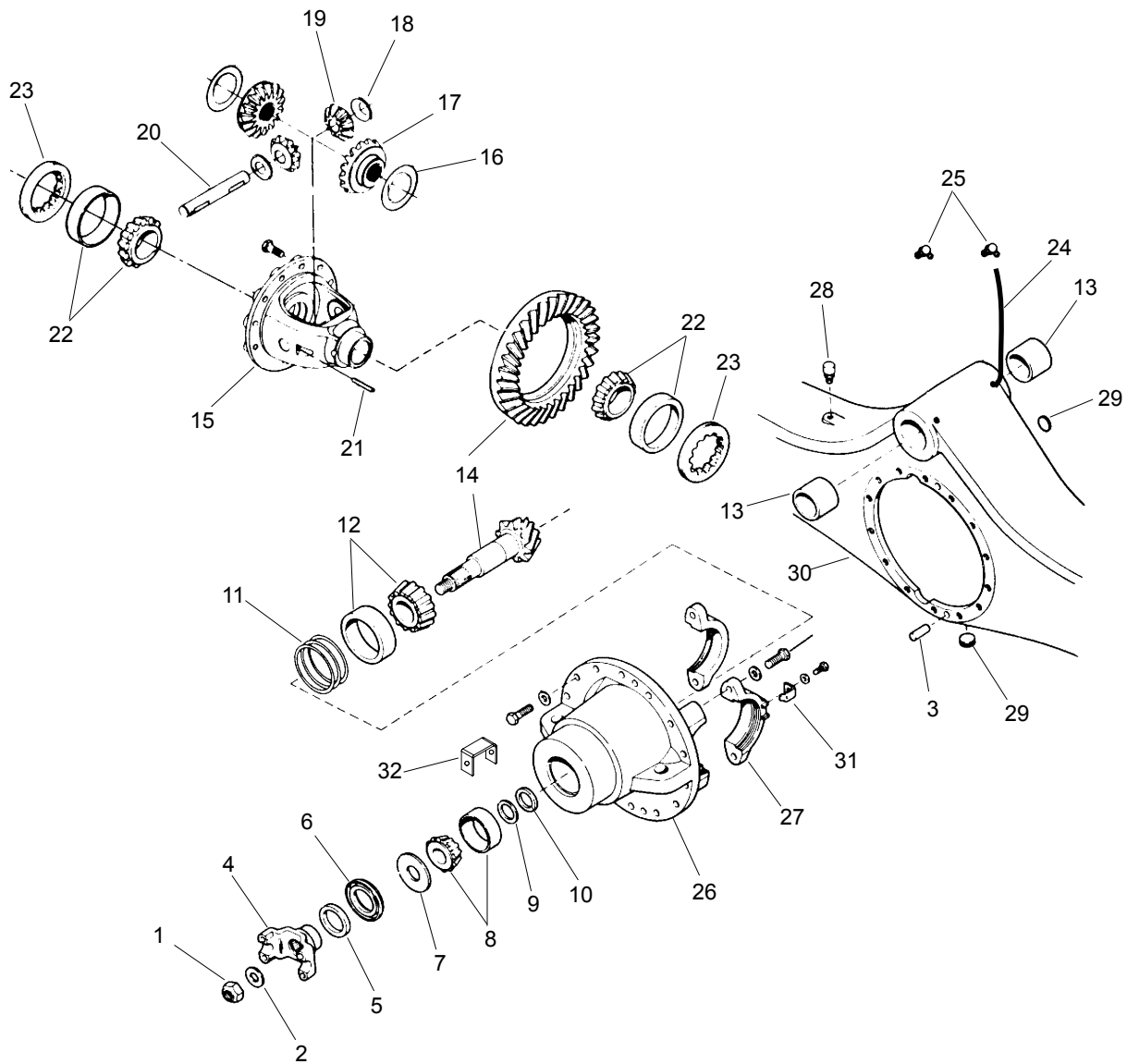


63ax15.tif

Outer Knuckle End Group (7036 Series)

Ref. No.	Part No.	Description	Qty. Req.	Ref. No.	Part No.	Description	Qty. Req.
01	L97843	RR & LF STR. KNUCKLE.	1	17	L97643	RF/LR INNER SHAFT (LONG)	1
	L97844	LR & RF STR. KNUCKLE.	1		L97642	LF/RR INNER SHAFT (SHORT) . . .	1
		CAPSCREW	16	18	L97852	DEFLECTOR	2
		PLAIN WASHER	16	19	L97849	TIE ROD ASY.	1
02	L66443	LT. REAR FENDER	1			(Incl. Items 19-22)	
	L66445	RT. REAR FENDER	1	20	L97331	CLAMP ASY	2
	L64961	LT. FRONT FENDER	1	21	L97330	RF & LR SOCKET ASY.	1
	L66444	RT. FRONT FENDER	1			(Course Thd)	
	L50378	CAPSCREW 1/2-13X2	4	22	L97329	LF & RR SOCKET ASY.	1
	L50151	PLAIN WASHER 1/2	4			(Fine Thd)	
03	L97134	BRG. CONE	4	23 ^a	L99428	LR & RF STEER CYL.	2
04	L93067	SHIM .005	3		L99432	RR & LF STEER CYL.	2
	L93068	SHIM .010	3	24	L93140	SOCKET ASY.	2/CYL
05	L97847	TRUNION PIN	4	25	L97646	LF & RR (SHORT) JOINT	1
06	L97644	CENTER YOKE	1			& SHAFT ASY.	
07	L10465	GREASE ZERK	4		L97781	RF & LR (LONG) JOINT.	1
08	L97136	SPINDLE MTG.STUD.	12			& SHAFT ASY.	
09	L97855	AXLE HOUSING	1			(Incl. Items 6,15-17)	
10	L97341	KING PIN SEAL	4	26	L50631	COTTER PIN, 5/32 X 2	6
11	L97135	BEARING CUP	4	27	L99150	LOCKING NUT.	12
12	L97340	GREASE RETAINER	4	28	L99151	FLAT WASHER	12
13	L97854	BUSHING	2	29	L99221	CASTLE NUT.	6
14	L97853	OIL SEAL	2				
15	L97851	OUTER YOKE SHAFT	2	a		Refer to Hyd. Comp. Pages For Breakdown.	
16	L97641	CROSS ASY.	2				
	L97859	BRG.RACE	8				
	L97860	SNAP RING	1				

Differential Carrier Group (7036 Series)

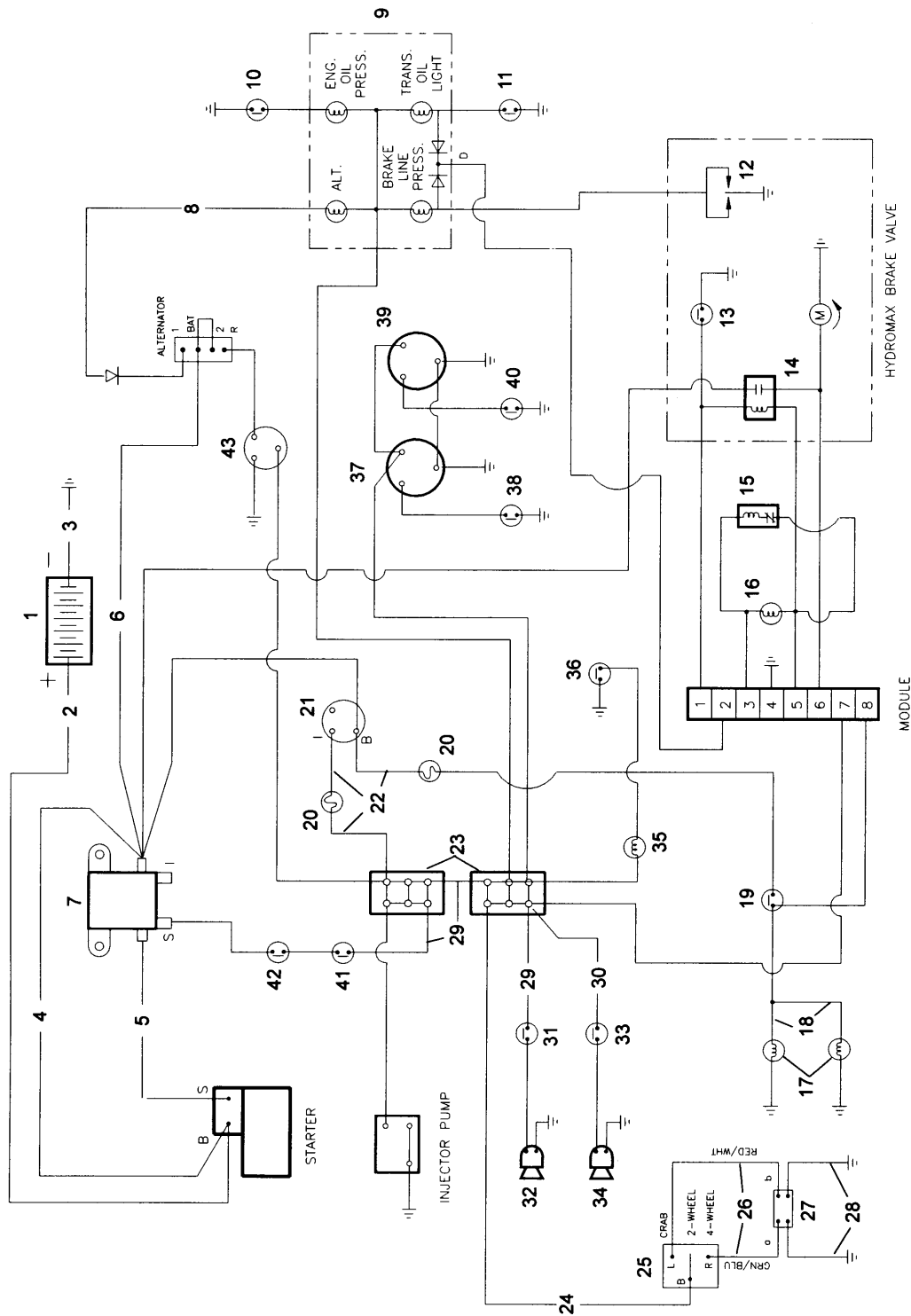


83axlf01.tif

Differential Carrier Group (7036 Series)

Ref. No.	Part No.	Description	Qty. Req.	Ref. No.	Part No.	Description	Qty. Req.
-	L97382	COMPL.. CARRIER/DIFF. ASY. . . . 1 <i>(Incl.L97814 & Items 1,2,4-10,26,27,31)</i>		19 ^a	L97806	DIFF. PINION GEAR 2	
-	L97814	COMPL.. DIFFERENTIAL ASY. . . . 1 <i>(Incl.Items 11,12,14-23)</i>		20 ^a	L97801	DIFF. SHAFT 1	
01	L41122	PINION NUT 1		21 ^a	L97802	ROLL PIN 1	
02	L41123	WASHER, PINION NUT 1		22	L97808	BEARING CONE 2	
03	L98027	DOWEL PIN. 2		22	L97809	BEARING CUP 2	
04	L97792	END YOKE 1		23	L97810	DIFF. ADJUST. RING 2	
05	L98019	DEFLECTOR 1		24	L64326	GREASE HOSE 1	
06	L97791	OIL SEAL 1		25	L277013	GREASE ZERK 2	
07	L97797	THRUST WASHER 1				PLAIN WASHER 2	
08	L41129	BEARING CUP 1		26	L97815	CARRIER HOUSING 2	
08	L41127	BEARING CONE 1				CAPSCREW 14	
09	L97795	SHIM. AR				PLAIN WASHER 14	
10	L97796	SPACER 1		27	NSS	DIFF. BRG. CAP. 2	
11	L97782	SHIM .003 AR				CAPSCREW 4	
	L97783	SHIM .005 AR		28	L93038	PLAIN WASHER 4	
	L97784	SHIM .010 AR		29	L98023	VENT 1	
12	L88372	BEARING CUP 1		30	L97855	DRAIN/FILL PLUG 2	
12	L97799	BEARING CONE 1		31	L97811	HOUSING 1	
13	L98026	AXLE PIVOT BUSHING 2		32	L64582	LOCK BRG.ADJ.NUT 2	
14	L97800	RING & PINION SET 1				BRK.LINETEE MOUNT (1/FRT2/REAR)	
	L500353	DURALOCK BOLT 12			L50836	CAPSCREW 3/8-16X1-3/4 3	
15	L97807	DIFFERENTIAL CASE 1			L520005	NYLON INSERT NUT 3/8-16 3	
16 ^a	L97803	THRUST WASHER AR			L50145	PLAIN WASHER 3/8 3	
17 ^a	L97805	DIFF. GEAR 2		<u>DIFFERENTIAL SERVICE KIT:</u>			
18 ^a	L97804	THRUST WASHER 2		a	L97813	DIFF.CASE INNER PARTS SET . . . 1 <i>(Incl. Items 16-21)</i>	

Main Electric Schematic - w/J.D. Engine Thru S/N 7561



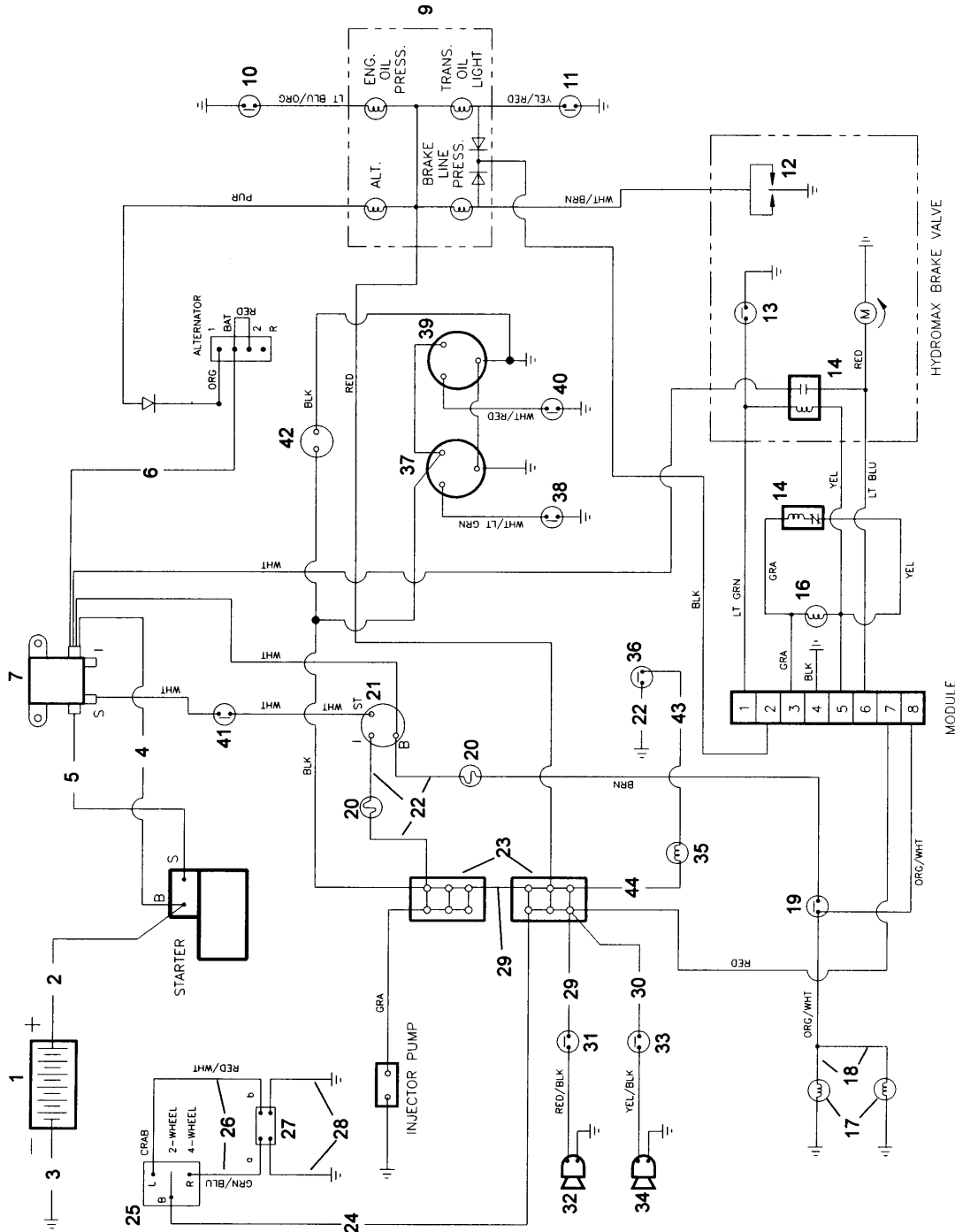
83elec1.tif/83elec1.dwg

Main Electric Schematic - w/J.D. Engine Thru S/N 7561

Ref. No.	Part No.	Description	Qty. Req.	Ref. No.	Part No.	Description	Qty. Req.
01	L620002	BATTERY	1	22	L64970	WIRE ASY	3
02	L64362	POSITIVE BATTERY CABLE	1	23	L650004	TERMINAL BLOCK	2
03	L630001	NEGATIVE BATTERY CABLE	1	24	L63606	WIRE ASY	1
04	L64973	WIRE ASY	1	25	L68638	STEER SELECT SWITCH	1
05	L64972	WIRE ASY	1	26	L66564	STEER VALVE HARNESS	2
06	L64973	WIRE ASY	1	27	L65684	STEER SELECT VALVE	1
07	L41179	STARTER RELAY	1	28	L63607	STEER VALVE HARNESS	2
08 ^a	L64568	MAIN WIRE HARNESS	1	29	L64090	WIRE ASY	3
09	L63610	LIGHT CLUSTER	1	30	L64971	WIRE ASY	1
10	L64646	LOW OIL PRESS. SWITCH	1	31	L41848	HORN BUTTON	1
11	L64795	TRANS. TEMP SENDER	1	32	L41847	HORN	1
12	NSS	BRAKE DIFF. PRESS. SWITCH	1	33	L62277	REVERSE ALARM SWITCH	1
13	L97690	FLOW SWITCH	1	34	L66164	REVERSE ALARM	1
14		BRAKE VALVE RELAY	1	35	L66427	PARK BRAKE LIGHT	1
	L97701	Thru S/N 7522		36	L650012	PARK BRAKE SWITCH	1
	L99245	S/N 7523 & Up		37	L66437	WATER TEMP GAUGE	1
15	L64078	RESERVE BRAKE BUZZER	1	38	L64437	WATER TEMP SENDER	1
16	L66427	RESERVE BRAKE LIGHT	1	39	L63640	FUEL GAUGE	1
17	L4446	BRAKE LIGHT	2	40	L47831	FUEL SENDER	1
18	L64987	BRAKE WIRE HARNESS	1	41	L64079	START BUTTON	1
19	L64890	BRAKE LIGHT SWITCH	1	42	L62277	NEUTRAL START SWITCH	1
20	L99219	CIRCUIT BREAKER 15A	2	43	L66438	TACHOMETER / HOURMETER	1
21	L40417	IGNITION SWITCH w/ KEY	1				
	L41852	KEY ONLY	1				

a Wires not labeled are part of the main harness.

Main Electric Schematic - w/J.D. Engine S/N 7562 & Up



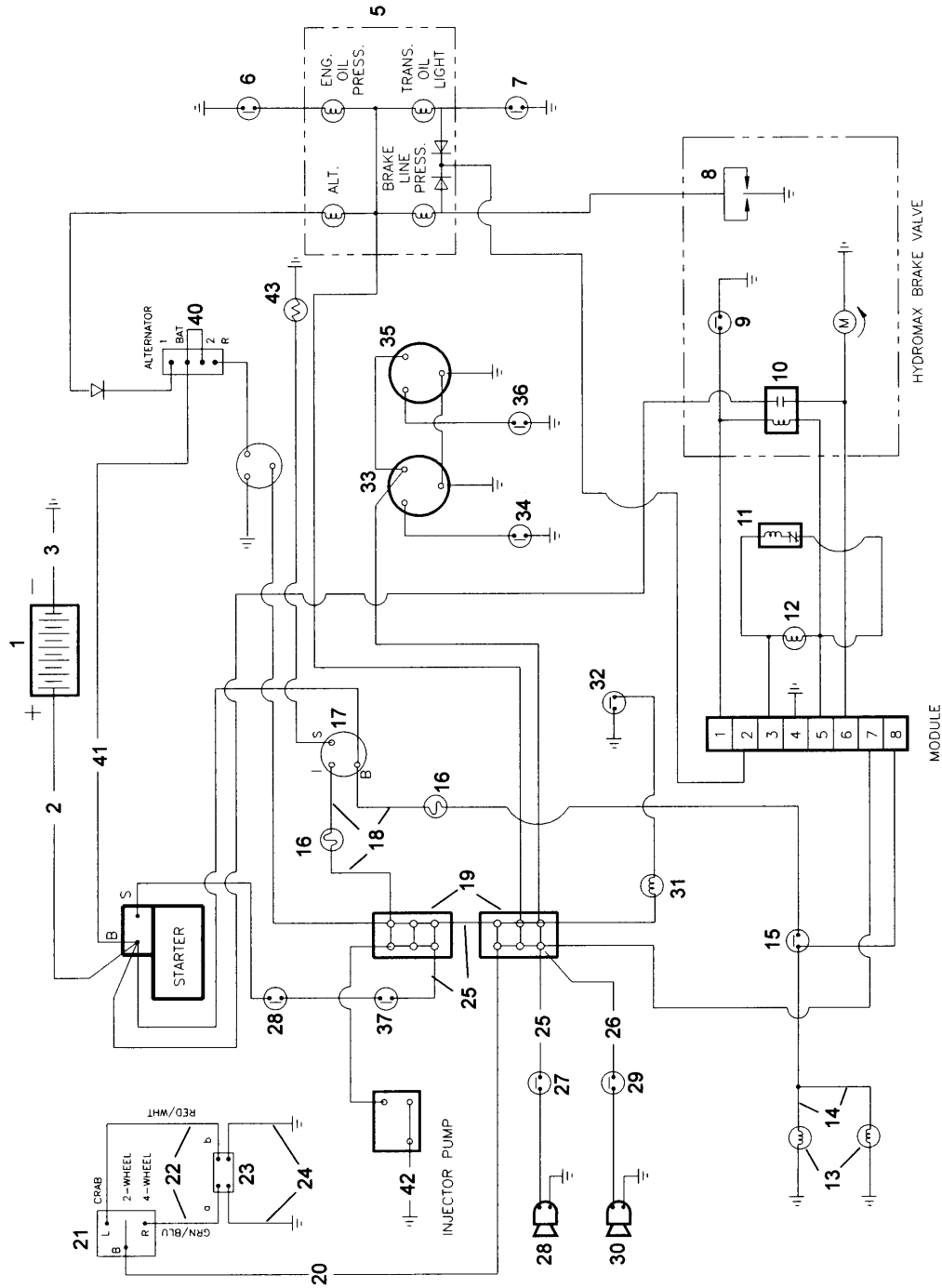
83elec2.tif/83elec2.dwg

Main Electric Schematic - w/J.D. Engine S/N 7562 & Up

Ref. No.	Part No.	Description	Qty. Req.	Ref. No.	Part No.	Description	Qty. Req.
01	L620002	BATTERY	1	24	L63606	WIRE ASY	1
02	L64362	POSITIVE BATTERY CABLE	1	25	L68638	STEER SELECT SWITCH	1
03	L630001	NEGATIVE BATTERY CABLE	1	26	L66564	STEER VALVE HARNESS	2
04	L64973	WIRE ASY	1	27	L65684	STEER SELECT VALVE	1
05	L64972	WIRE ASY	1	28	L63607	STEER VALVE HARNESS	2
06	L64973	WIRE ASY	1	29	L64090	WIRE ASY	2
07	L41179	STARTER RELAY	1	30	L64971	WIRE ASY	1
08 ^a	L64568	MAIN WIRE HARNESS	1	31	L41848	HORN BUTTON	1
09	L63610	LIGHT CLUSTER	1	32	L41847	HORN	1
10	L64646	LOW OIL PRESS. SWITCH	1	33	L62277	REVERSE ALARM SWITCH	1
11	L64795	TRANS. TEMP SENDER	1	34	L70200	REVERSE ALARM	1
12	NSS	BRAKE DIFF. PRESS. SWITCH	1	35	L66834	PARK BRAKE LIGHT	1
13	L97690	FLOW SWITCH	1	36	L650012	PARK BRAKE SWITCH	1
14	L99245	BRAKE VALVE RELAY	1	37	L66437	WATER TEMP GAUGE	1
15	L64078	RESERVE BRAKE BUZZER	1	38	L64437	WATER TEMP SENDER	1
16	L66427	RESERVE BRAKE LIGHT	1	39	L63640	FUEL GAUGE	1
17	L4446	BRAKE LIGHT	2	40	L47831	FUEL SENDER	1
18	L64987	BRAKE WIRE HARNESS	1	41	L62277	NEUTRAL START SWITCH	1
19	L64890	BRAKE LIGHT SWITCH	1	42	072340	HOURLMETER	1
20	L99219	CIRCUIT BREAKER 15A	2	43	L66835	WIRE ASY	1
21	089069	IGNITION SWITCH w/ KEY	1	44	L63597	WIRE ASY	1
	089070	KEY ONLY	1	45	L64081	WIRE ASY	1
22	L64970	WIRE ASY	4				
23	L650004	TERMINAL BLOCK	2				

a Wires not labeled are part of the main harness.

Main Electric Schematic - w/Perkins Engine Thru S/N 7561



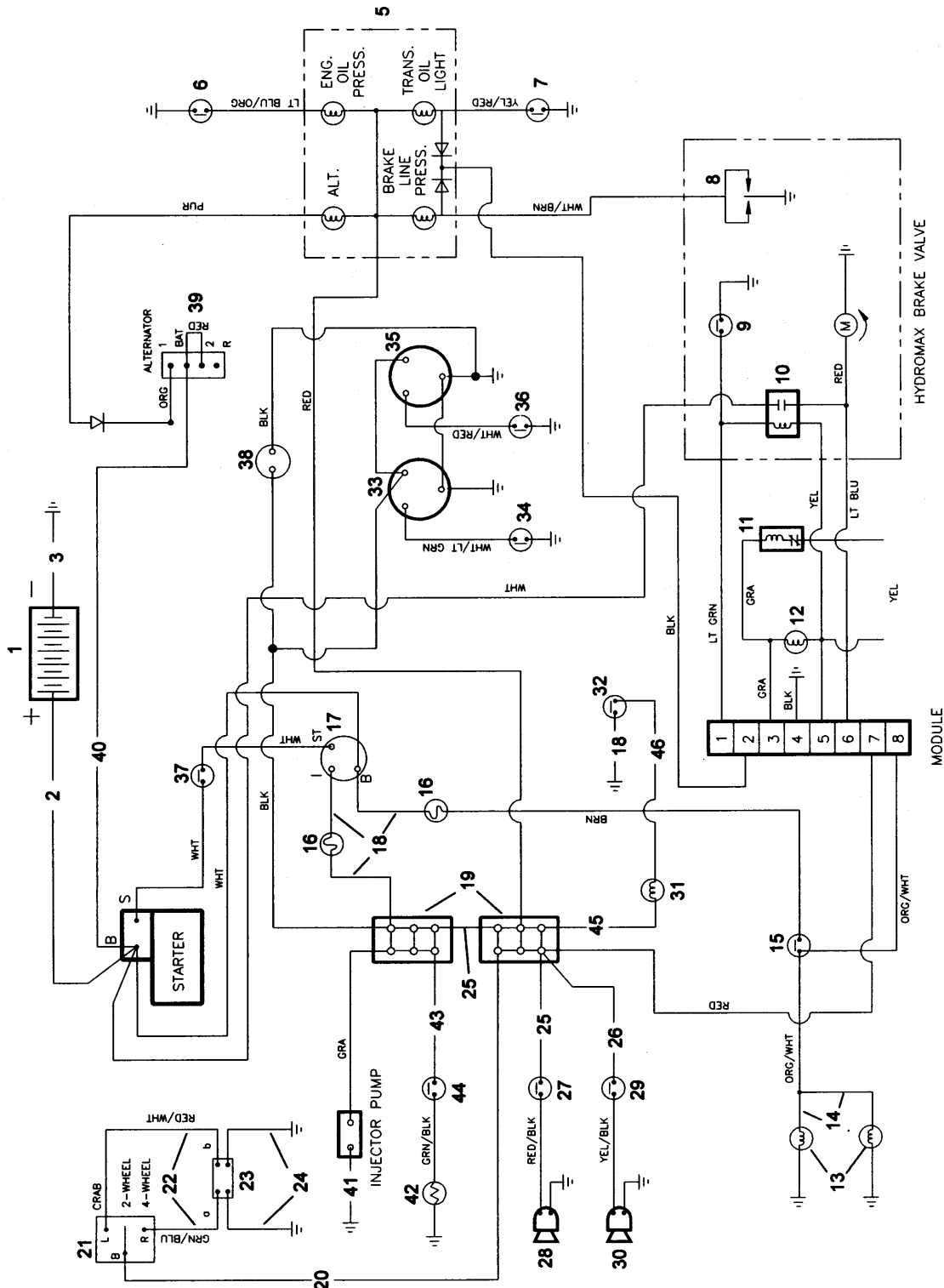
83elec3.tif/83elec3.dwg

Main Electric Schematic - w/Perkins Engine Thru S/N 7561

Ref. No.	Part No.	Description	Qty. Req.	Ref. No.	Part No.	Description	Qty. Req.
01	L620002	BATTERY	1	22	L66564	STEER VALVE HARNESS	2
02	L64362	POSITIVE BATTERY CABLE	1	23	L65684	STEER SELECT VALVE.	1
03	L630001	NEGATIVE BATTERY CABLE	1	24	L63607	STEER VALVE HARNESS	2
04 ^a	L64568	MAIN WIRE HARNESS	1	25	L64090	WIRE ASY	3
05	L63610	LIGHT CLUSTER.	1	26	L64971	WIRE ASY	1
06	L64646	LOW OIL PRESS. SWITCH	1	27	L41848	HORN BUTTON.	1
07	L64795	TRANS. TEMP SENDER	1	28	L41847	HORN	1
08	NSS	BRAKE DIFF. PRESS. SWITCH.	1	29	L62277	REVERSE ALARM SWITCH	1
09	L97690	FLOW SWITCH	1	30	L66164	REVERSE ALARM.	1
10		BRAKE VALVE RELAY.	1	31	L66427	PARK BRAKE LIGHT.	1
	L97701	Thru S/N 7522		32	L650012	PARK BRAKE SWITCH	1
	L99245	S/N 7523 & Up		33	L66437	WATER TEMP GAUGE	1
11	L64078	RESERVE BRAKE BUZZER	1	34	L64437	WATER TEMP SENDER	1
12	L66427	RESERVE BRAKE LIGHT	1	35	L63640	FUEL GAUGE	1
13	L4446	BRAKE LIGHT	2	36	L47831	FUEL SENDER	1
14	L64987	BRAKE WIRE HARNESS.	1	37	L64079	START BUTTON	1
15	L64890	BRAKE LIGHT SWITCH.	1	38	L62277	NEUTRAL START SWITCH	1
16	L99219	CIRCUIT BREAKER 15A	2	39	L66438	TACHOMETER / HOURMETER.	1
17	L40417	IGNITION SWITCH w/ KEY	1	40	L47405	ALTERNATOR WIRE HARNESS	1
	L41852	KEY ONLY	1	41	L64089	WIRE ASY	1
18	L64970	WIRE ASY	3	42	L64081	WIRE ASY	1
19	L650004	TERMINAL BLOCK	2	43	NSS	PREHEATER.	1
20	L63606	WIRE ASY	1				
21	L68638	STEER SELECT SWITCH	1				

a Wires not labeled are part of the main harness.

Main Electric Schematic - w/Perkins Engine S/N 7562 & Up



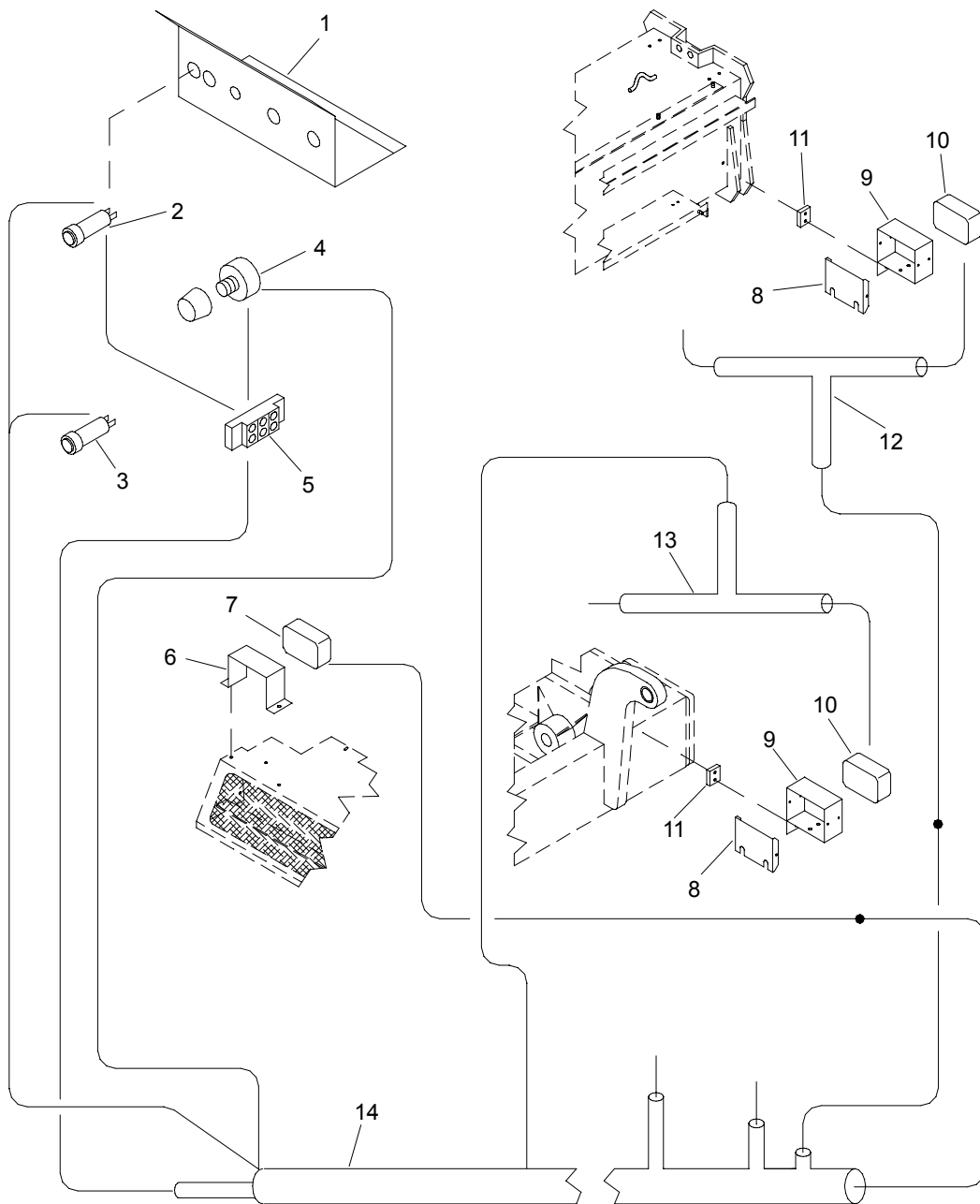
83elec4.tif/83elec4.dwg

Main Electric Schematic - w/Perkins Engine S/N 7562 & Up

Ref. No.	Part No.	Description	Qty. Req.	Ref. No.	Part No.	Description	Qty. Req.
01	L620002	BATTERY	1	25	L64090	WIRE ASY	2
02	L64362	POSITIVE BATTERY CABLE	1	26	L64971	WIRE ASY	1
03	L630001	NEGATIVE BATTERY CABLE	1	27	L41848	HORN BUTTON	1
04 ^a	L64568	MAIN WIRE HARNESS	1	28	L41847	HORN	1
05	L63610	LIGHT CLUSTER	1	29	L62277	REVERSE ALARM SWITCH	1
06	L64646	LOW OIL PRESS. SWITCH	1	30	L66164	REVERSE ALARM	1
07	L64795	TRANS. TEMP SENDER	1	31	L66427	PARK BRAKE LIGHT	1
08	NSS	BRAKE DIFF. PRESS. SWITCH	1	32	L650012	PARK BRAKE SWITCH	1
09	L97690	FLOW SWITCH	1	33	L66437	WATER TEMP GAUGE	1
10	L99245	BRAKE VALVE RELAY	1	34	L64437	WATER TEMP SENDER	1
11	L64078	RESERVE BRAKE BUZZER	1	35	L63640	FUEL GAUGE	1
12	L66427	RESERVE BRAKE LIGHT	1	36	L47831	FUEL SENDER	1
13	L4446	BRAKE LIGHT	2	37	L62277	NEUTRAL START SWITCH	1
14	L64987	BRAKE WIRE HARNESS	1	38	072340	HOURLMETER	1
15	L64890	BRAKE LIGHT SWITCH	1	39	L47405	ALTERNATOR WIRE HARNESS	1
16	L63699	CIRCUIT BREAKER 15A	2	40	L64089	WIRE ASY	1
17	089069	IGNITION SWITCH w/ KEY	1	41	L64081	WIRE ASY	1
	089070	KEY ONLY	1	42	NSS	PREHEATER	1
18	L64970	WIRE ASY	4	43	L63596	WIRE ASY	1
19	L650004	TERMINAL BLOCK	2	44	L68056	PREHEAT SWITCH	1
20	L63606	WIRE ASY	1	45	L63597	WIRE ASY	1
21	L68638	STEER SELECT SWITCH	1	46	L66835	WIRE ASY	1
22	L66564	STEER VALVE HARNESS	2				
23	L65684	STEER SELECT VALVE	1				
24	L63607	STEER VALVE HARNESS	2				

a Wires not labeled are part of the main harness.

Light Package Wiring Hookup - Thru S/N 7562

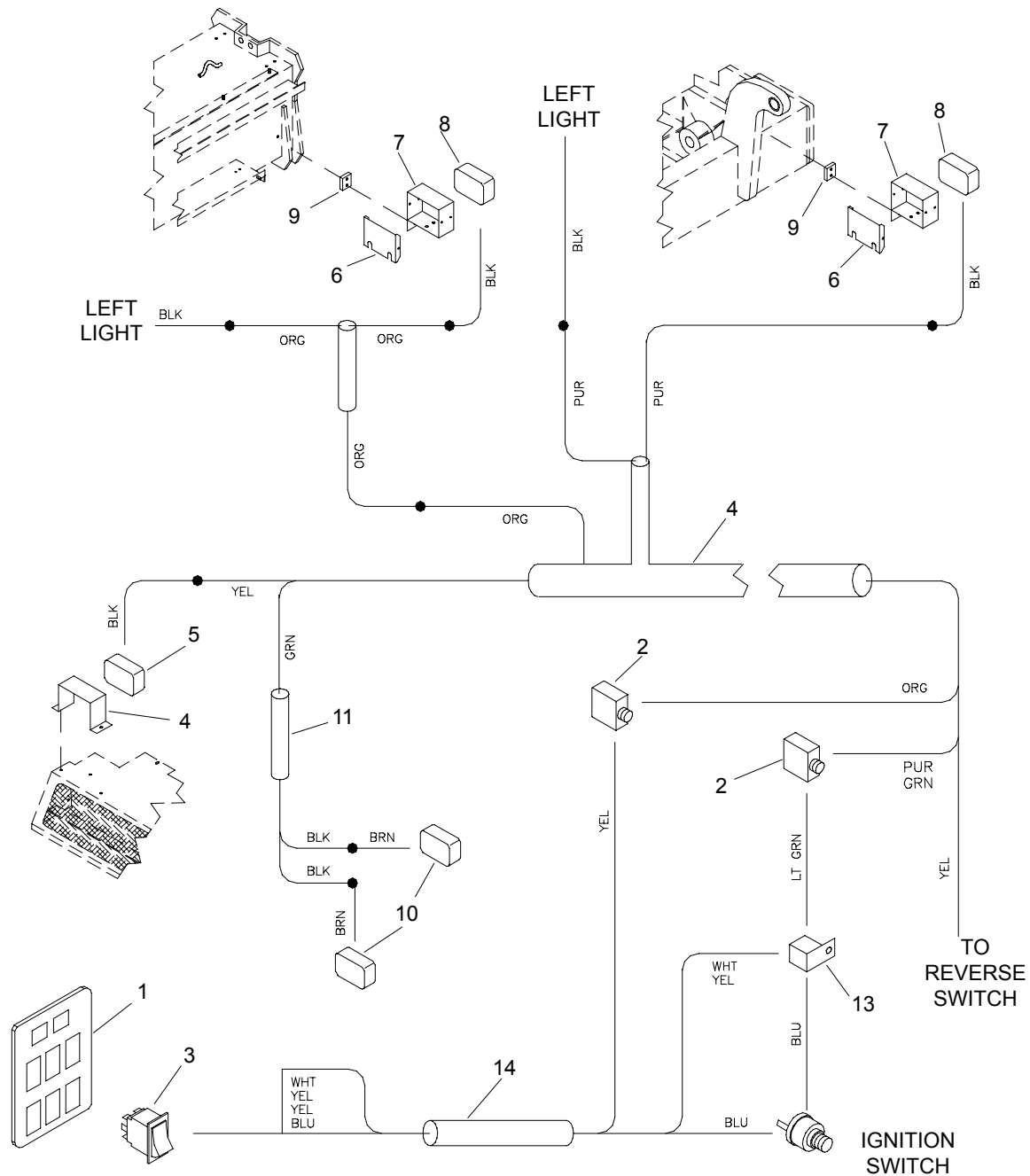


83elec5.wmf/705-5004.dwg

Light Package Wiring Hookup - Thru S/N 7562

Ref. No.	Part No.	Description	Qty. Req.	Ref. No.	Part No.	Description	Qty. Req.
01	L65435	SWITCH MNT. PANEL	1	09	L61115	FRONT LIGHT BRACKET	4
02	L66516	CIRCUIT BREAKER 30 AMP	1		L50230	CAP SCREW 5/16-18X3/4	2
03	L63699	CIRCUIT BREAKER 15 AMP	1		L50056	5/16-18 SERR. FLNG. NUT	2
04	L41853	LIGHT SWITCH, 3 POSITION	1		L50251	CAP SCREW 3/8-16X3/4	2
05	L650004	TERMINAL BLOCK	1		L50061	3/8-16 SERR. FLNG NUT	2
	L650005	CINCH JUMPER	1	10	L60539	FRONT LIGHT	4
06	L62814	REAR LIGHT BRACKET	1		L99208	BULB VH550	1
	L50230	CAP SCREW 5/16-18X3/4	4	11	L65432	BRACKET MT. BAR (weld on)	4
	L50056	5/16-18 SERR. FLNG. NUT	4	12	L66467	BOOM HARNESS	1
07	L4445	REAR LIGHT	1	13	L66466	FRAME HARNESS	1
08	L61147	LIGHT COVER PLATE	2	14	L66465	CAB HARNESS	1
	L50208	CUT SCREW 1/4-20X1/2	2				
	L50051	1/4-20 SERR. FLNG NUT	2				

Light Package Wiring Hookup - S/N 7563 & Up

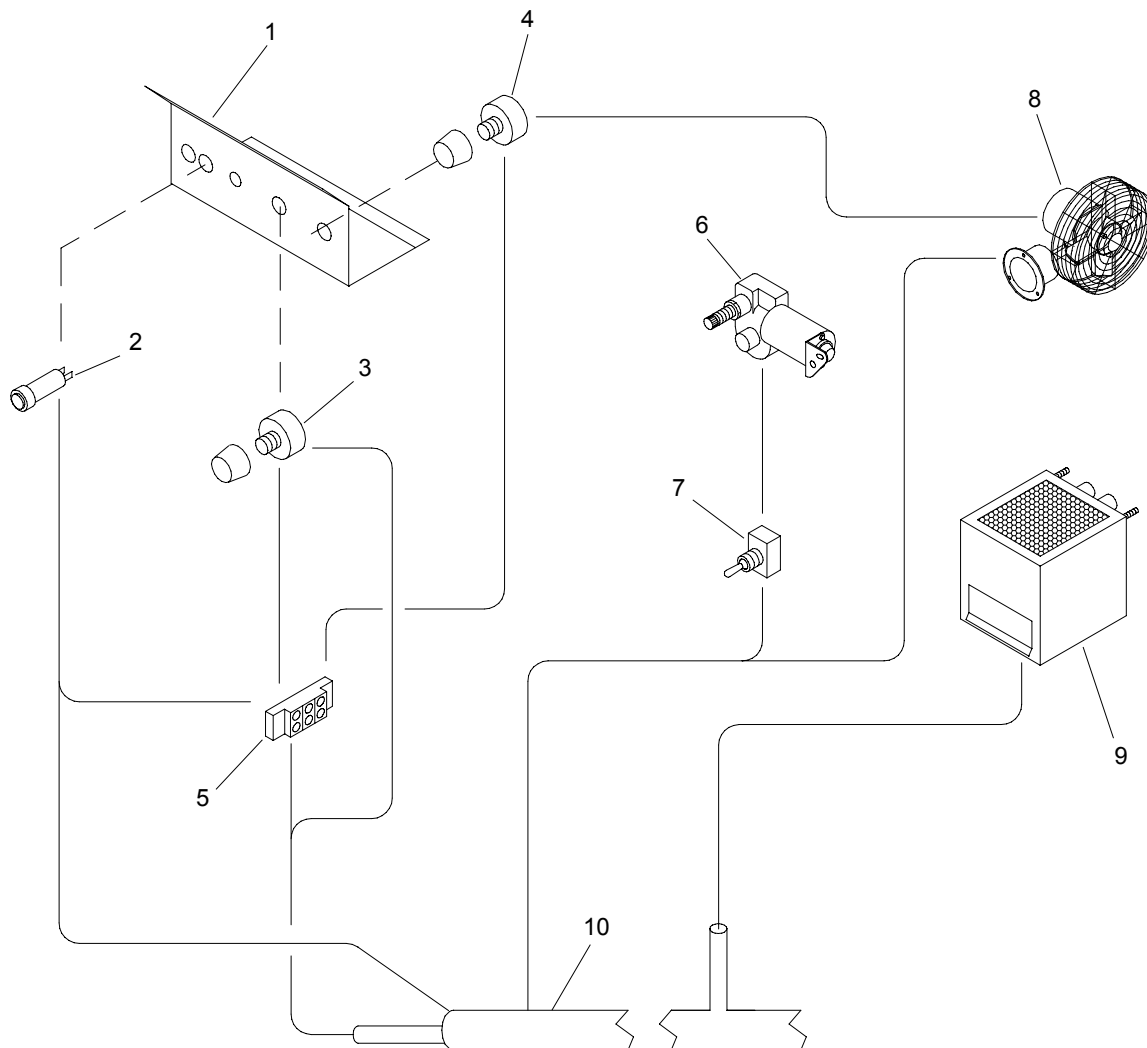


83elec6.wmf/705-5004.dwg

Light Package Wiring Hookup - S/N 7563 & Up

Ref. No.	Part No.	Description	Qty. Req.	Ref. No.	Part No.	Description	Qty. Req.
01	L66844	SWITCH MNT. PANEL, 6-HOLE . . .	1		L50056	5/16-18 SERR. FLNG. NUT	2
01	L66823	SWITCH MNT OANEL, 3-HOLE . . .	1		L50251	CAP SCREW 3/8-16X3/4	2
02	L63699	CIRCUIT BREAKER 15 AMP	1		L50061	3/8-16 SERR. FLNG NUT	2
03	L63937	LIGHT SWITCH, ROCKER	1	08	L60539	FRONT LIGHT	4
04	L62814	REAR LIGHT BRACKET	1		L99208	BULB VH550	1
	L50230	CAP SCREW 5/16-18X3/4	4	09	L65432	BRACKET MT. BAR (weld on)	4
	L50056	5/16-18 SERR. FLNG. NUT	4	10	L4446	TAIL LAMP	2
05	L4445	REAR LIGHT	1	11	L64987	WIRE HARNESS	1
06	L61147	LIGHT COVER PLATE	2	12	L66828	WIRE HARNESS, LIGHT PKG	1
	L50208	CUT SCREW 1/4-20X1/2	2	13	L63335	RELAY	1
	L50051	1/4-20 SERR. FLNG NUT	2	14	L63284	WIRE HARNESS	1
07	L61115	FRONT LIGHT BRACKET	4				
	L50230	CAP SCREW 5/16-18X3/4	2				

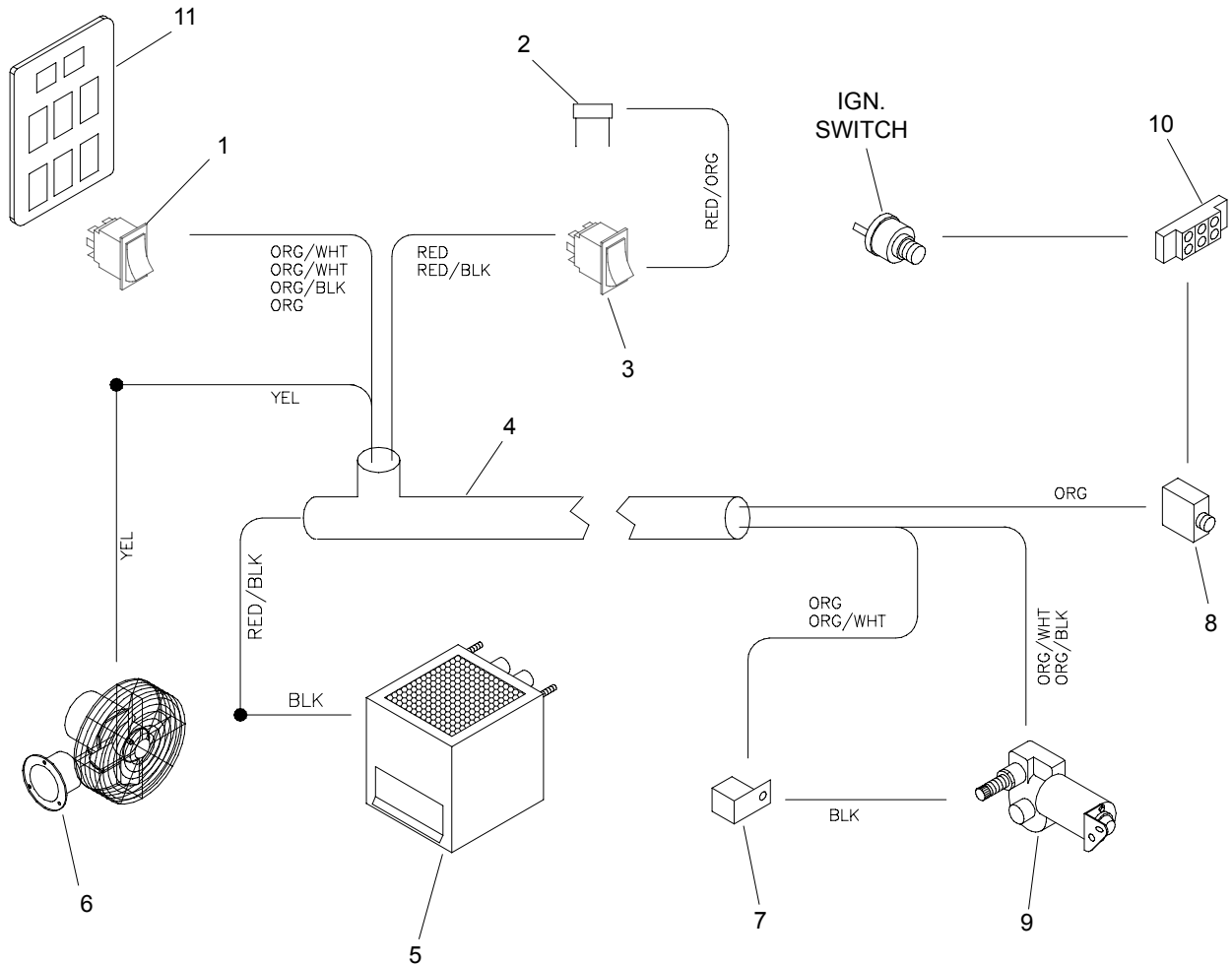
Cab Wiring Hookup w/o A/C - Thru S/N 7562



83elec7.wmf/589-5005.dwg

Ref. No.	Part No.	Description	Qty. Req.	Ref. No.	Part No.	Description	Qty. Req.
01	L65435	SWITCH MOUNT PANEL	1	06	L61198	WIPER MOTOR W/SW.	1
02	L49236	CIRCUIT BREAKER, 15 AMP.	1	07	L48182	WIPER SWITCH	1
03	L277244	HEATER SWITCH	1	08	L61190	DEFROST FAN W/SWITCH	1
04	L277244	DEFROST FAN SWITCH	1	09	L61189	CAB HEATER	1
05	L650004	TERMINAL BLOCK	1	10	L66465	CAB HARNESS	1
	L650005	CINCH JUMPER.	1				

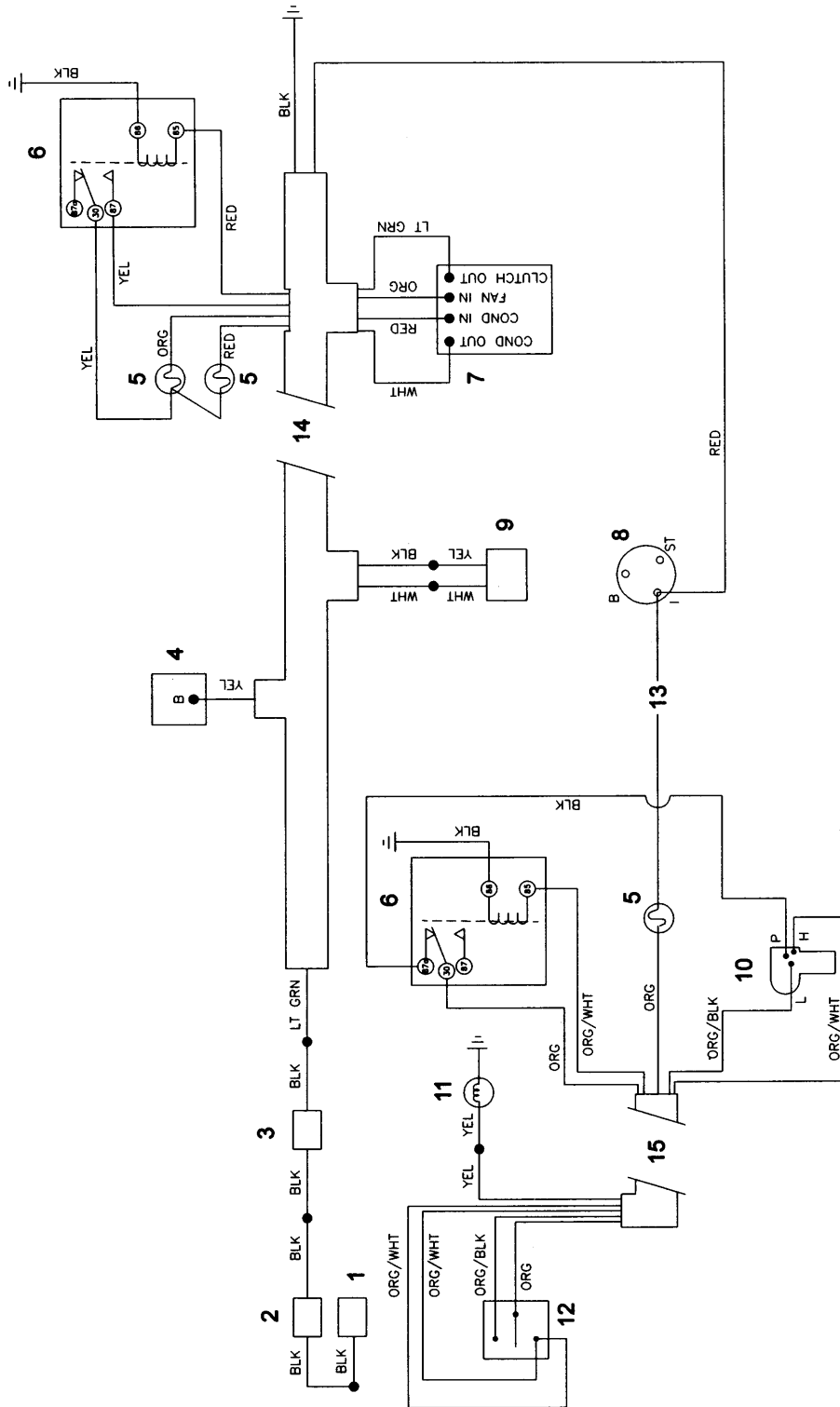
Cab Wiring Hookup w/o A/C - S/N 7563 & Up



83elec8.wmf/589-5005.dwg

Ref. No.	Part No.	Description	Qty. Req.	Ref. No.	Part No.	Description	Qty. Req.
01	L66850	WIPER ROCKER SWITCH	1	07	L63335	RELAY	1
02	NSS	RESISTER, 12W, 3 OHM	1	08	L63699	CIRCUIT BREAKER	1
03	L66849	HEATER ROCKER SWITCH	1	09	L66843	WIPER MOTOR	1
04	L66824	WIRE HARNESS	1	10	L650004	TERMINAL BLOCK	1
05	L66997	HEATER	1	11	L66844	SWITCH PANEL, 6-HOLE	1
06	L66986	DEFROSTER FAN	1		L66823	SWITCH PANEL, 3-HOLE	1

Cab Electric Schematic w/ A/C - Thru S/N 7713

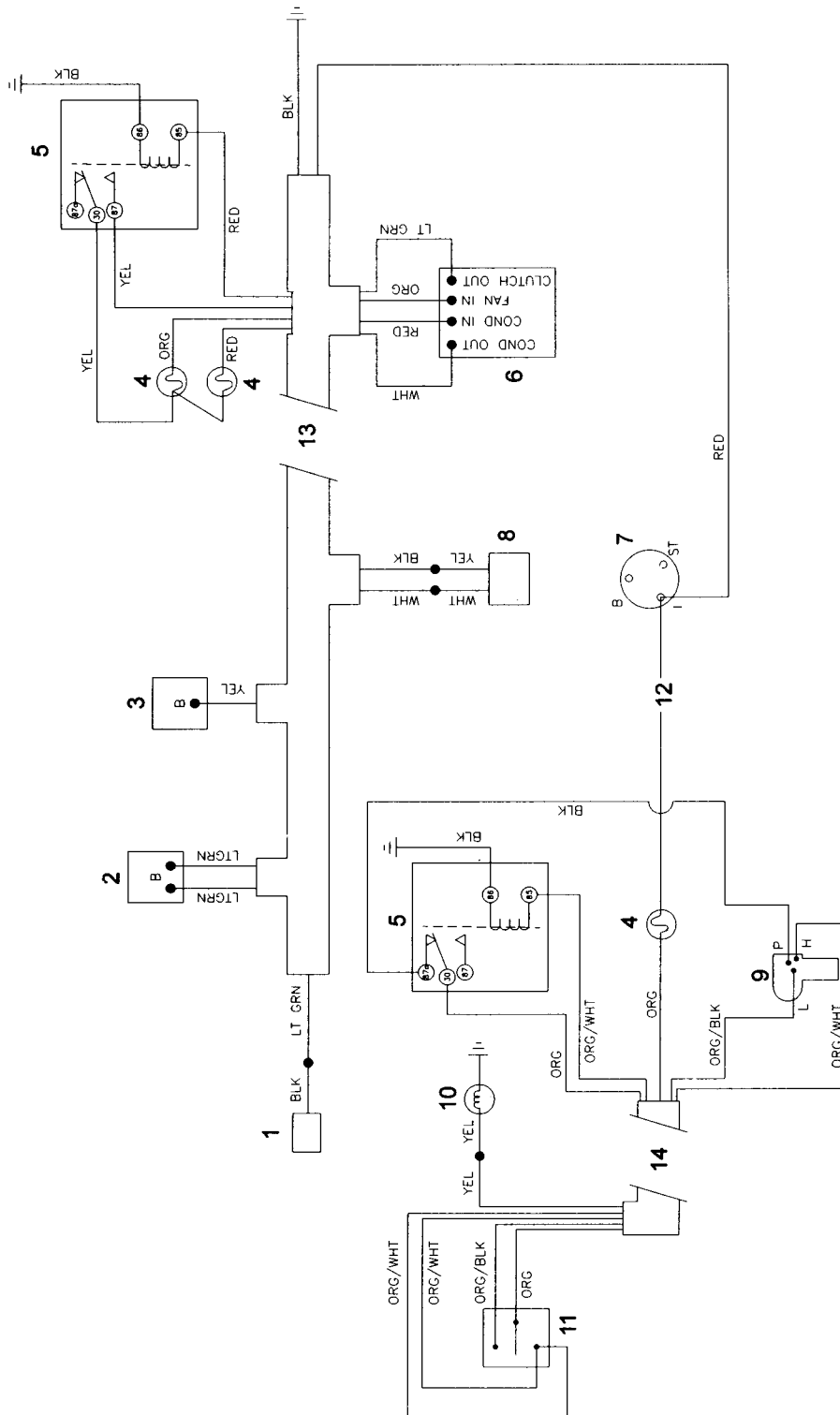


83elec9.tif/83elec9.dwg

Cab Electric Schematic w/ A/C - Thru S/N 7713

Ref. No.	Part No.	Description	Qty. Req.	Ref. No.	Part No.	Description	Qty. Req.
01	L67628	A/C COMPRESSOR	1	09	L66679	A/C CONDENSOR	1
02	NSS	HIGH PRESSURE SWITCH	1	10	L61198	WIPER MOTOR	1
03	NSS	LOW PRESSURE SWITCH	1	11	L66986	DEFROSTER FAN	1
04	L41179	STARTER RELAY	1	12	L66850	WIPER SWITCH	1
05	L63699	CIRCUIT BREAKER, 15A.	3	13	L64970	WIRE ASY	1
06	L63335	RELAY, 1SPDT	2	14	L66851	A/C WIRE HARNESS	1
07	L66678	EVAPORATOR/BLOWER	1	15	L66853	WIPER/FAN WIRE HARNESS	1
08	089069	IGNITION SWITCH	1				

Cab Electric Schematic w/ A/C - S/N 7714 & Up

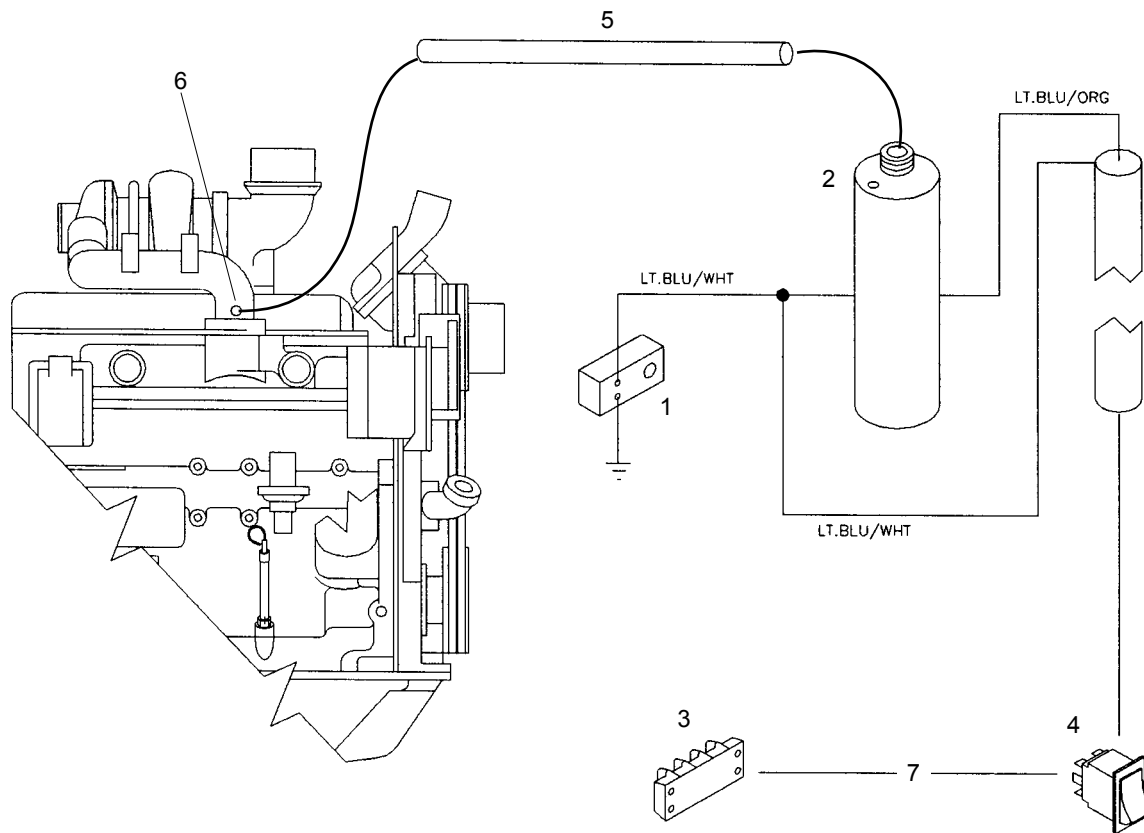


83elec10.tiff/83elec10.dwg

Cab Electric Schematic w/ A/C - S/N 7714 & Up

Ref. No.	Part No.	Description	Qty. Req.	Ref. No.	Part No.	Description	Qty. Req.
01	L68461	A/C COMPRESSOR	1	08	L66679	A/C CONDENSOR.....	1
02	NSS	BINARY SWITCH.....	1	09	L61198	WIPER MOTOR.....	1
03	L41179	STARTER RELAY	1	10	L66986	DEFROSTER FAN.....	1
04	L63699	CIRCUIT BREAKER, 15A.....	3	11	L66850	WIPER SWITCH	1
05	L63335	RELAY.....	2	12	L64970	WIRE ASY.....	1
06	L66678	EVAPORATOR/BLOWER.....	1	13	L66978	A/C WIRE HARNESS.....	1
07	089069	IGNITION SWITCH	1	14	L66853	WIPER/FAN WIRE HARNESS.....	1

Ether Start Option

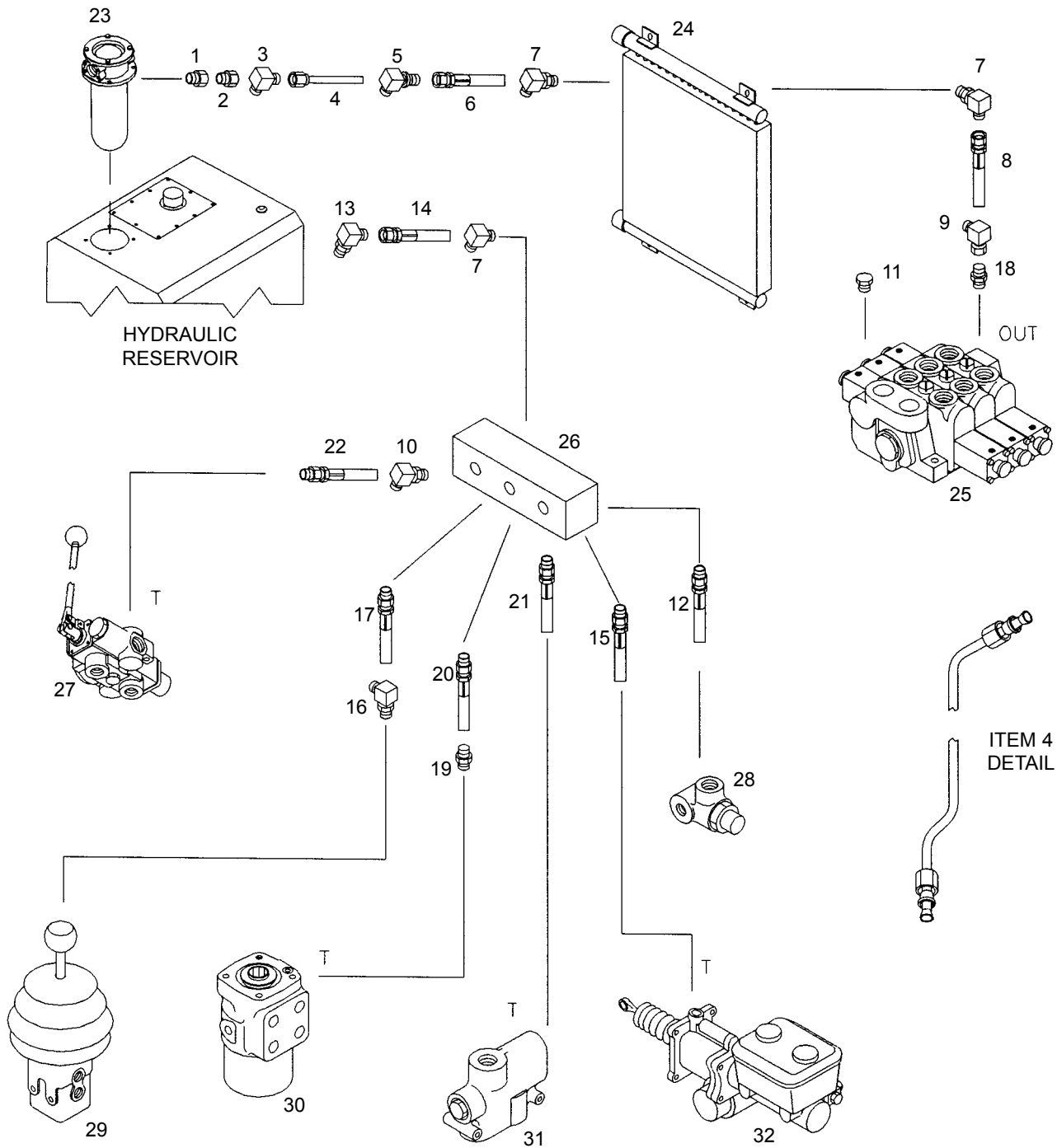


65elc11.tif

Ether Start Option

Ref. No.	Part No.	Description	Qty. Req.	Ref. No.	Part No.	Description	Qty. Req.
	L66855	ETHER KIT	1	04	L68054	ROCKER SWITCH.	1
01	NSS	THERMOSTAT.	1	05	NSS	NYLON TUBE	1
02	NSS	CANNISTER	1	06	NSS	ATOMIZER.	1
03	L650004	TERMINAL BLOCK	1	07	L66963	WIRE ASY w/ FUSE.	1

Tank Return & Manifold Plumbing Lines

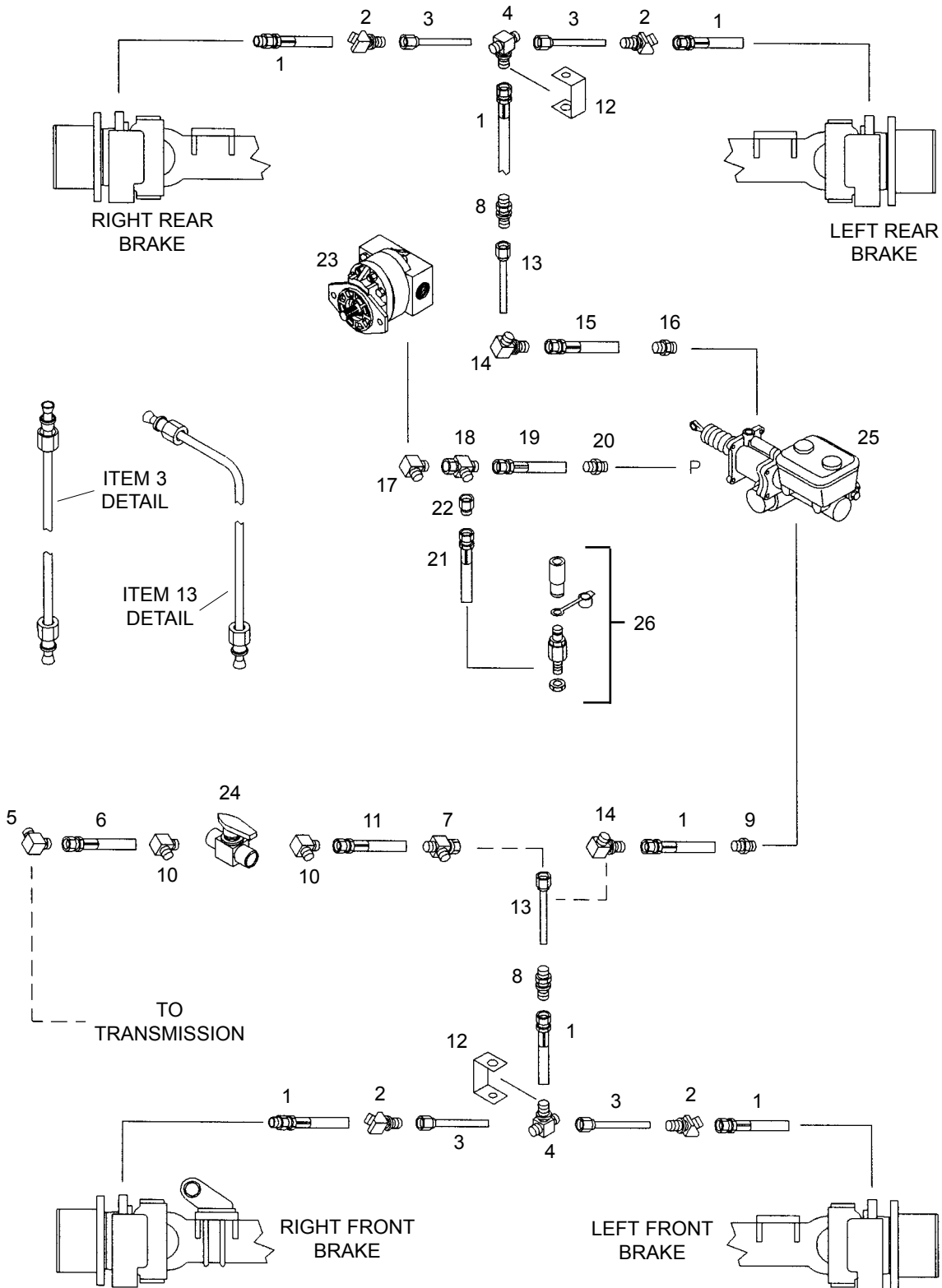


91-0801.dwg/83hys1.tif

Tank Return & Manifold Plumbing Lines

Ref. No.	Part No.	Description	Qty. Req.	Ref. No.	Part No.	Description	Qty. Req.
01	L60847	REDUCER.....	1	17	L64281	HOSE ASY. -6X48".....	1
		(1-1/2MNPT/1-1/4FNPT)		18	L51590	STR. MALE CONNTR.	1
02	L72350	REDUCER.....	1			(-16OR/-16JIC)	
		(1-1/4MNPT/1 FNPT)		19	L444004	STR. MALE CONNTR.	1
03	L442007	MALE 90 BULKHD.	1			(-8OR/-8JIC)	
		(-16JIC/-16NPT)		20	L64307	HOSE ASY. -8X84".....	1
04	L64599	TUBE ASY. -16.	1	21	L64272	HOSE ASY. -4X60".....	1
05	L62943	90 MALE BULKHD.	1	22	L64320	HOSE ASY. -12X30".....	1
		(-16JIC/-16JIC)		23	L62831	IN TANK FILTER	1
06	L64324	HOSE ASY. -16X20".....	1	24	L450002	HYDRAULIC COOLER.....	1
07	L51621	ELBOW 90	3	25		MAIN CONTROL VALVE	1
		(-16OR/-16JIC)			L66441	S/N 7380 & Up	
08	L64321	HOSE ASY-16X30".....	1		L98706	Thru S/N 7379 (3-section)	
09	L64856	SWVL. 90 ELBOW.....	1		L98707	Thru S/N 7379 (4-section)	
		(-16JICFS/-16JICM)		26	L64856	MANIFOLD	1
10	L445001	MALE 90 ELBOW	1	27	L68313	FRAME LEVEL VALVE.....	1
		(-12OR/-12JIC)		28	L60523	JOYSTICK RELIEF	1
11	L60986	O-RING PLUG	1	29	L62553	JOYSTICK, LIFT/EXTEND	1
12	L64329	HOSE ASY. -12X27".....	1	30		STEER MOTOR.....	1
13	L442004	MALE 90 ELBOW	1		L64523	Thru S/N 7492	
		(-8OR/-8JIC)			L66753	S/N 7493 & Up	
14	L64304	HOSE ASY. -12X68".....	1	31	L64179	PRIORITY VALVE	1
15	L64331	HOSE ASY. -8X25".....	1	32	L66814	BRAKE VALVE.....	1
16	L445003	MALE 90 ELBOW	1				
		(-6OR/-6JIC)					

Brake Control Plumbing Lines

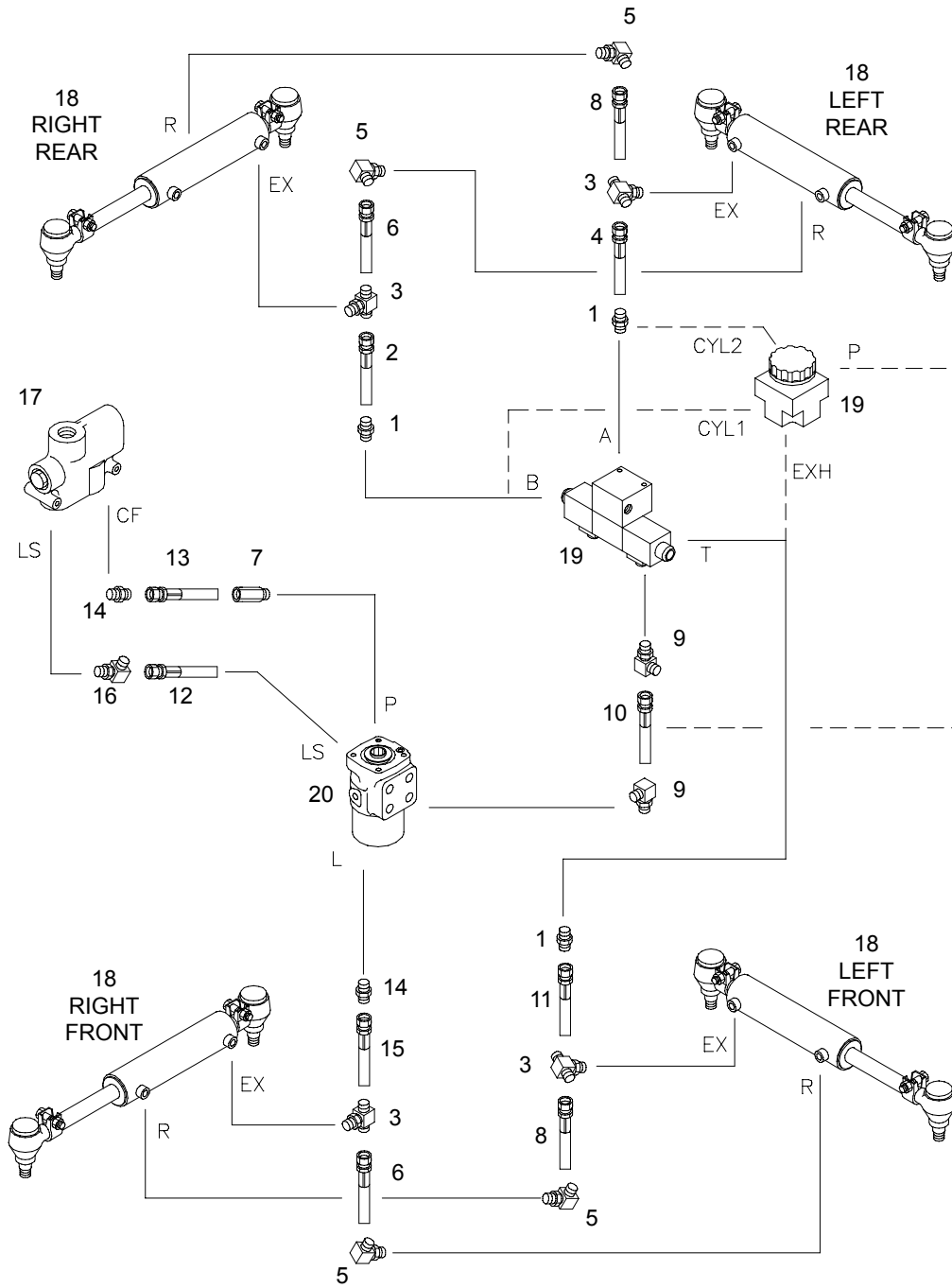


15-0222/83hys2.tif

Brake Control Plumbing

Ref. No.	Part No.	Description	Qty. Req.	Ref. No.	Part No.	Description	Qty. Req.
01	L64274	HOSE ASY. -4X20".....	6	15	L64273	HOSE ASY. -4X24".....	1
02	L64848	BULKHD. 45 ELBOW.	4	16	L62741	SPECIAL MALE CONNTR.	1
		(-4JIC/4JIC)				(-4JIC)	
03	L61833	TUBE ASY. -4	4	17	L445002	MALE 90 ELBOW	1
04	L446042	MALE BULKHD. TEE	2			(-8OR/-8JIC)	
		(-4JIC EA.END)		18	L446026	SWVL. RUN TEE	1
05	L442001	MALE 90 ELBOW	1			(-8JICFS/-8JICM/-8JICM)	
		(-2NPT/-4NPT)		19	L64291	HOSE ASY. -8X68".....	1
06	L64269	HOSE ASY-4X77".....	1	20	L69997	SPECIAL MALE CONNTR.	1
07	L446044	SWVL. RUN TEE	1			(-8JIC)	
		(-4JICFS/-4JICM/-4JICM)		21	L64267	HOSE ASY. -4X53".....	1
08	L446046	STR. MALE BULKHD.	2	22	L60588	REDUCER.....	1
		(-4JIC EA. END)				(-8JICF/-6JICM)	
09	L62998	SPECIAL MALE CONNTR.	1	23		HYDRAULIC PUMP	1
		(-4JIC)			L99115	Thru S/N 7529	
10	L442022	MALE 90 ELBOW	2		L66731	S/N 7530 & Up	
		(-4NPT/-4JIC)		24	L61039	CLUTCH DUMP SWITCH	1
11	L64268	HOSE ASY. -4X57".....	1	25	L66814	BRAKE VALVE.....	1
12	L64582	TEE MOUNT BRACKET.....	2	26	L62834	TEST PORT BLKHD NIPPLE.....	1
13	L64633	TUBE ASY.-4	2		L62840	DUST CAP	1
14	L400935	MALE 90 BULKHD.	2		L62933	FEMALE COUPLER	1
		(-4JIC EA.END)					

Steering Plumbing Lines

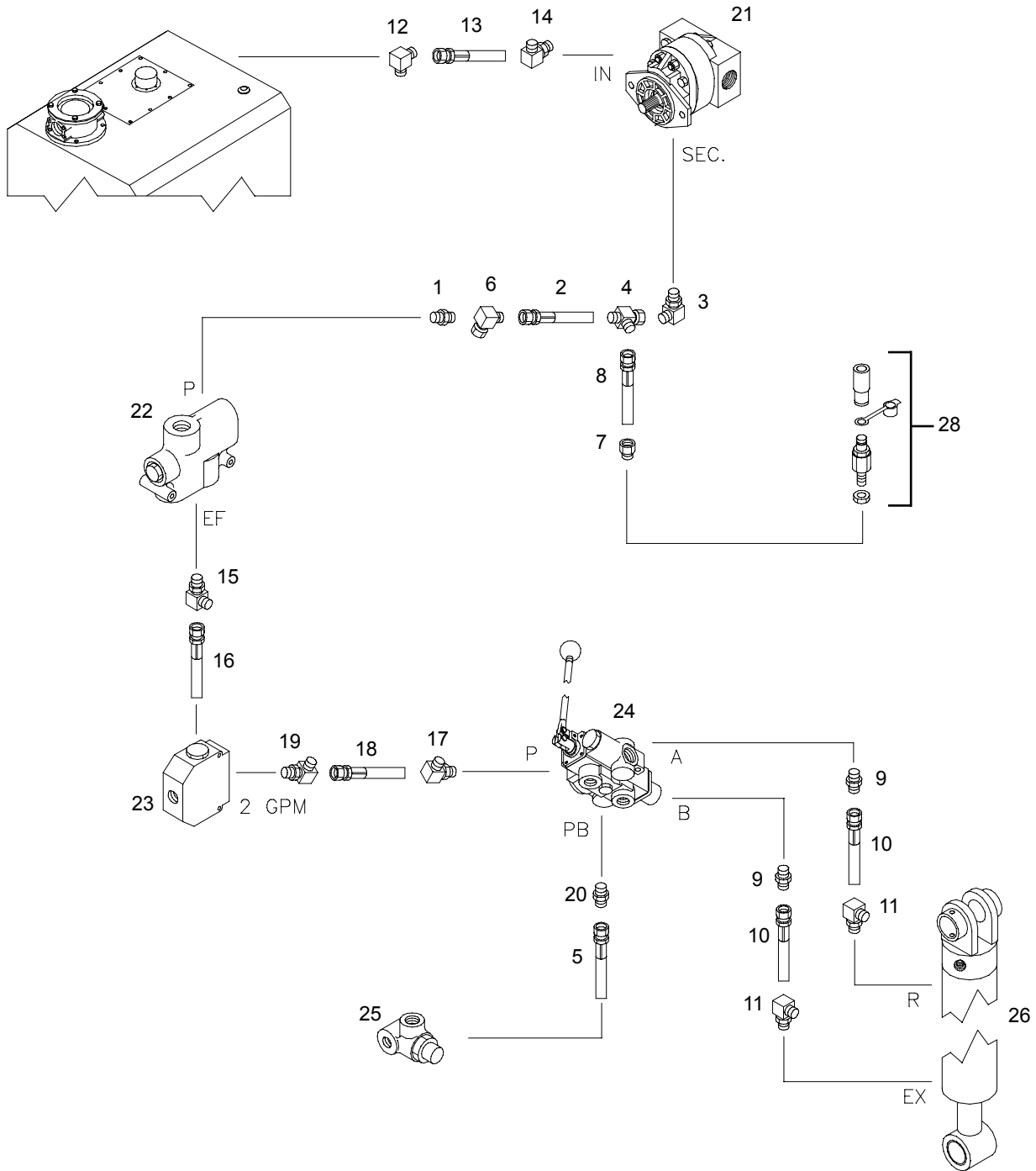


92-0802.dwg/83hys3.wmf

Steering Plumbing Lines

Ref. No.	Part No.	Description	Qty. Req.	Ref. No.	Part No.	Description	Qty. Req.
01	L444002	STR. MALE CONNTR.	2	11		HOSE ASY. -6X52"	1
		(-6OR/-6JIC)			L66122	Thru S/N 7379	
02		HOSE ASY. -6X108"	1	11		HOSE ASY. -6X80"	1
	L66133	Thru S/N 7379			L64288	S/N 7380 & Up	
02		HOSE ASY. -6X135"	1	12	L64270	HOSE ASY. -4X56"	1
	L64290	S/N 7380 & Up		13	L64292	HOSE ASY. -8X52.5"	1
03	L51762	MALE TEE	4	14	L444004	STR. MALE CONNTR.	2
		(-6JIC/-6OR/-6JIC)		15	L64287	HOSE ASY. -6X90"	1
04		HOSE ASY. -6X87"	1	16	L51561	MALE 90 ELBOW	1
	L66137	Thru S/N 7379				(-4OR/-4JIC)	
04		HOSE ASY. -6X116"	1	17	L64179	PRIORITY VALVE	1
	L64289	S/N 7380 & Up		18		STEER CYLINDER	
05	L445003	MALE 90 ELBOW	4		L99428	LEFT REAR & RIGHT FRONT	2
		(-6OR/-6JIC)			L99432	RIGHT REAR & LEFT FRONT	2
06	L64286	HOSE ASY. -6X43"	2	19		STEER SELECT VALVE.	1
07	L64524	CHECK VALVE	1		L61462	Thru S/N 7379	
		(-8JIC IN/-8OR OUT)			L65684	S/N 7380 & Up	
08	L64285	HOSE ASY. -6X30"	2	20		STEER MOTOR.	1
09	L445002	MALE 90 ELBOW	2		L64523	Thru S/N 7492	
		(-8OR/-8JIC)			L66753	S/N 7493 & Up	
10		HOSE ASY. -6X56"	1				
	L66132	Thru S/N 7379					
10		HOSE ASY. -6X15"	1				
	L64282	S/N 7380 & Up					

Frame Level Plumbing Lines

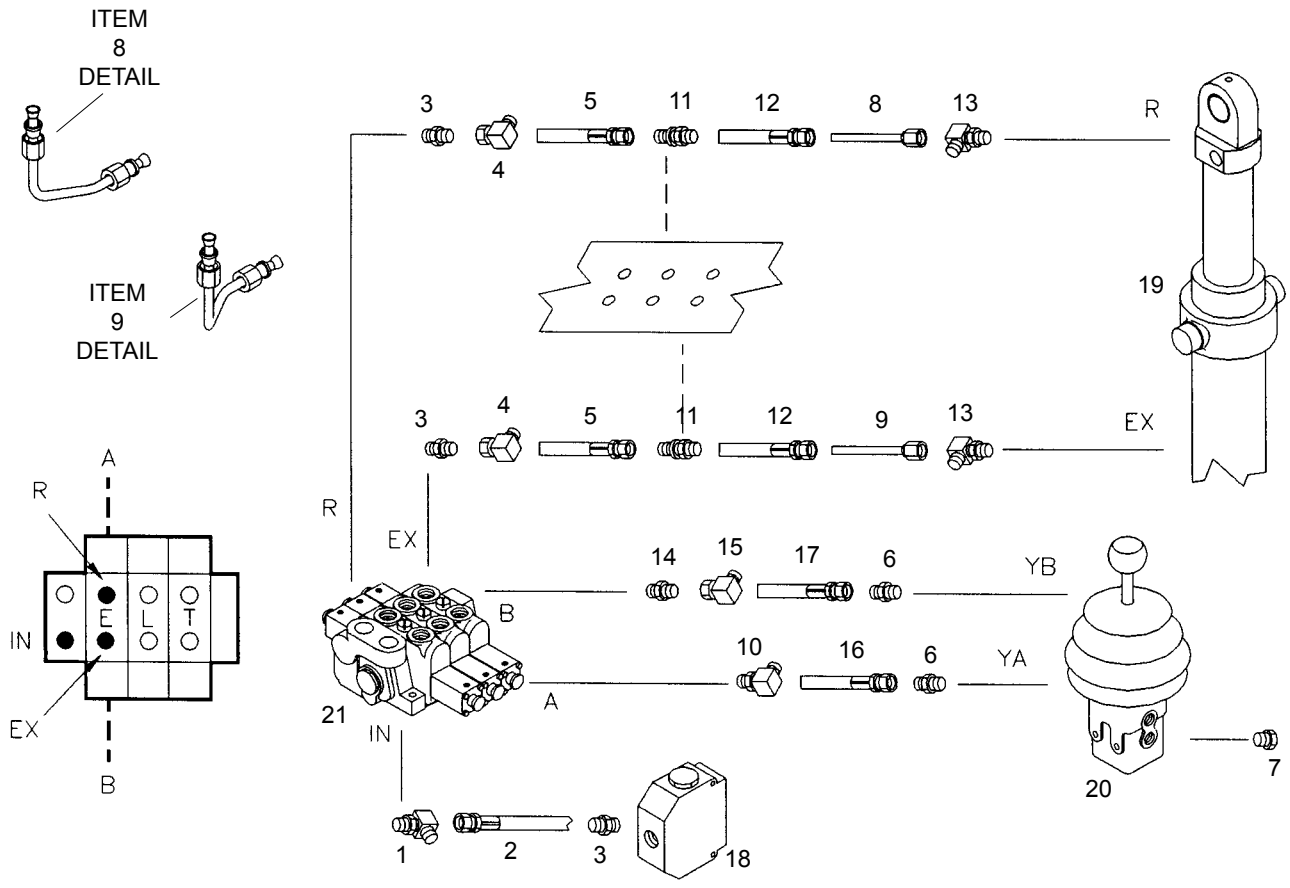


93-0803.dwg/83hys4.wmf

Frame Level Plumbing Lines

Ref. No.	Part No.	Description	Qty. Req.	Ref. No.	Part No.	Description	Qty. Req.
01	L444001	STR. MALE CONNTR.	1	15	L445001	MALE 90 ELBOW	1
		(-12OR/-12JIC)				(-12OR/-12JIC)	
02	L66563	HOSE ASY-12X26"	1	16	L64328	HOSE ASY. -12X18"	1
03	L445001	MALE 90 ELBOW	1	17	L445006	MALE 90 ELBOW	1
		(-12OR/-12JIC)				(-12OR/-8JIC)	
04	L446019	SWVL. RUN TEE	1	18	L64305	HOSE ASY. -8X44"	1
		(-12JICFS/-12JICM/-12JICM)		19	444002	MALE 90 ELBOW	1
05	L64306	HOSE ASY. -8X15"	1			(-8OR/-8JIC)	
06	L446020	SWIVL. 90 ELBOW	1	20	L444003	STR. MALE CONNTR.	1
		(-12JICFS/-8JICM)				(-12OR/-8JIC)	
07	L51493	CONNECTOR	1	21		HYDRAULIC PUMP	1
		(-12JICF/-12JICM)			L64525	Thru S/N 7379	
08	L64267	HOSE ASY. -4X53"	1		L66731	S/N 7380 & Up	
09	L444004	STR.MALE CONNTR.	2	22	L64179	PRIORITY VALVE	1
		(-8OR/-8JIC)		23	L61878	FLOW DIVIDER	1
10	L64280	HOSE ASY. -6X121.5"	2	24	L68313	FRAME LEVEL VALVE	1
11	L445002	MALE 90 ELBOW	1	25	L60523	JOYSTICK RELIEF	1
		(-8OR/-8JIC)		26		FRAME LEVEL CYLINDER	1
12		MALE 90 ELBOW -20NPT/-20JIC	1		L64085	S/N 7005-7445	
	L62946	Thru S/N 7379				Except. 7012, 7347,7348	
12		MALE 90 ELBOW -20NPT/-24JIC	1		L64818	S/N 7001-7004, 7012, 7347, 7348,	
	L65779	S/N 7380 & Up				7446 & Up	
13	L64330	HOSE ASY. -24X33"	1	27	L62834	TEST PORT BLKHD NIPPLE	1
		Thru S/N 7379			L62840	DUST CAP	1
13	L66064	HOSE ASY. -24X35"	1		L62933	FEMALE COUPLER	1
		S/N 7380 & Up					
14	L445014	MALE 90 ELBOW -24OR/-24JIC	1				
		S/N 7380 & Up					
14	L65954	MALE 90 ELBOW -20OR/-20JIC	1				
		Thru S/N 7379					

Boom Extend Plumbing Lines

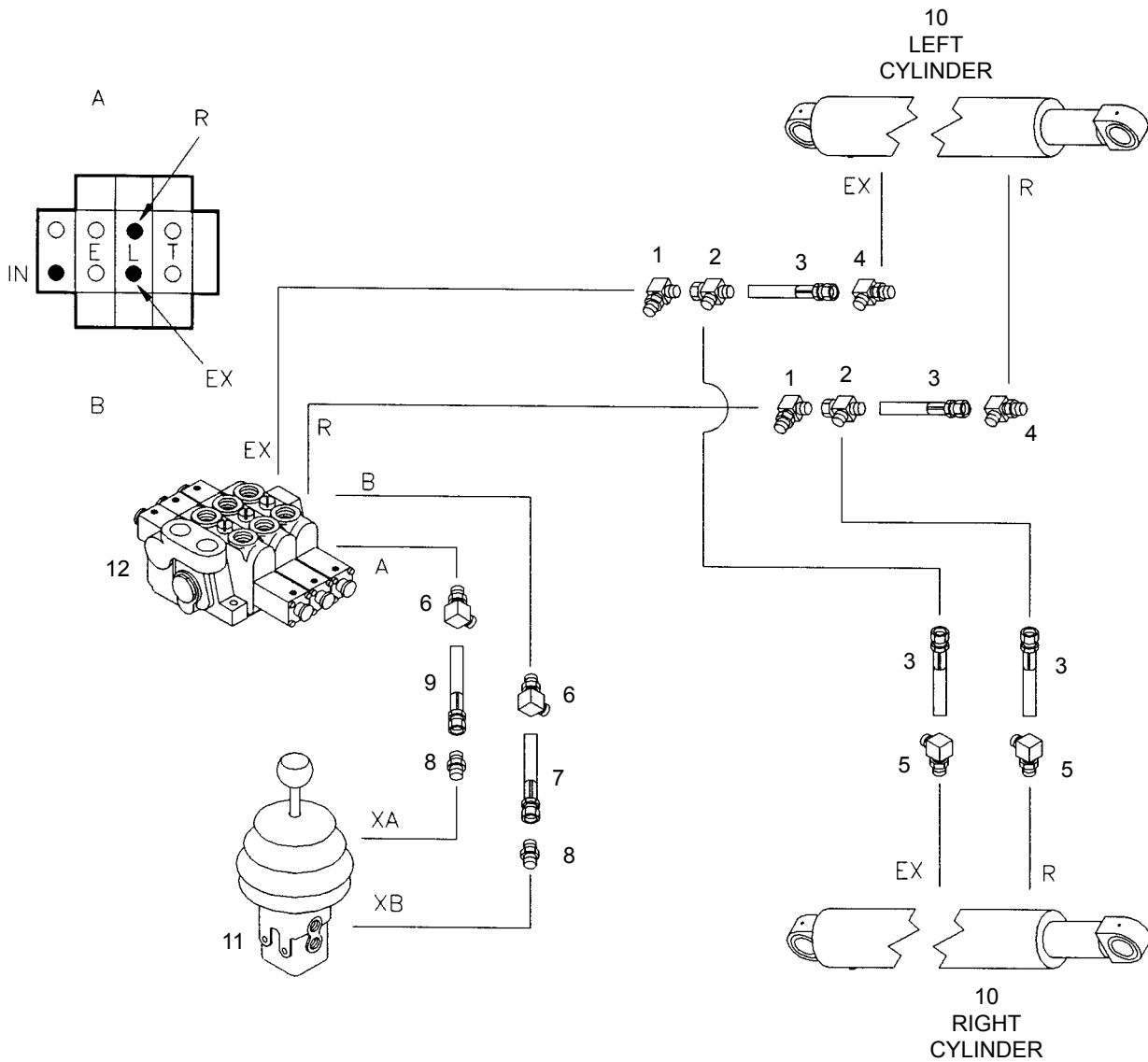


77-0804.dwg/83hys4.tif

Boom Extend Plumbing Lines

Ref. No.	Part No.	Description	Qty. Req.	Ref. No.	Part No.	Description	Qty. Req.
01	L51621	MALE 90 ELBOW	1	13	L445001	MALE 90 ELBOW	2
		(-16OR/-16JIC)				(-12OR/-12JIC)	
02	L64323	HOSE ASY. -12X76"	1	14	L444002	STR. MALE CONNTR. -6OR/-6JIC. 1	
03	L444001	STR. MALE CONNTR.	3			S/N 7380 & Up, w/V40 Valve	
		(-12OR/-12JIC)		15	L60653	SWVL. 90 ELBOW	1
04	L44620	SWVL. 90 ELBOW	2			(-6JICFS/-6JICM)	
		(-12JICF/-12JICM)		16	L64276	HOSE ASY. -4X114"	1
05	L54314	HOSE ASY. -12X27"	2	17	L64275	HOSE AS. -4X102"	1
06	L444002	STR.MALE CONNTR.	2	18	L61878	FLOW DIVIDER	1
		(-6OR/-6JIC)		19		BOOM EXT. CYLINDER.	1
07	L446048	PLUG.	1		L64385	S/N 7001-7004	
08	L65213	TUBE ASY, LH.	1		L64085	S/N 7005-7455	
09	L65212	TUBE ASY., RH	1		L66770	S/N 7556 & Up	
10	L445003	MALE 90 ELBOW	1	20	L62553	JOYSTICK, LIFT/EXTEND	1
		(-6OR/-6JIC)		21		CONTROL VALVE	1
11	L446035	STR. MALE BULKHD.	2		L66441	S/N 7380 & UP	
		(-12JIC/-12JIC)			L98706	Thru S/N 7379 (3-section)	
12	L64316	HOSE ASY. -12X48"	2		L98707	Thru S/N 7379 (4-section)	

Boom Lift Plumbing Lines

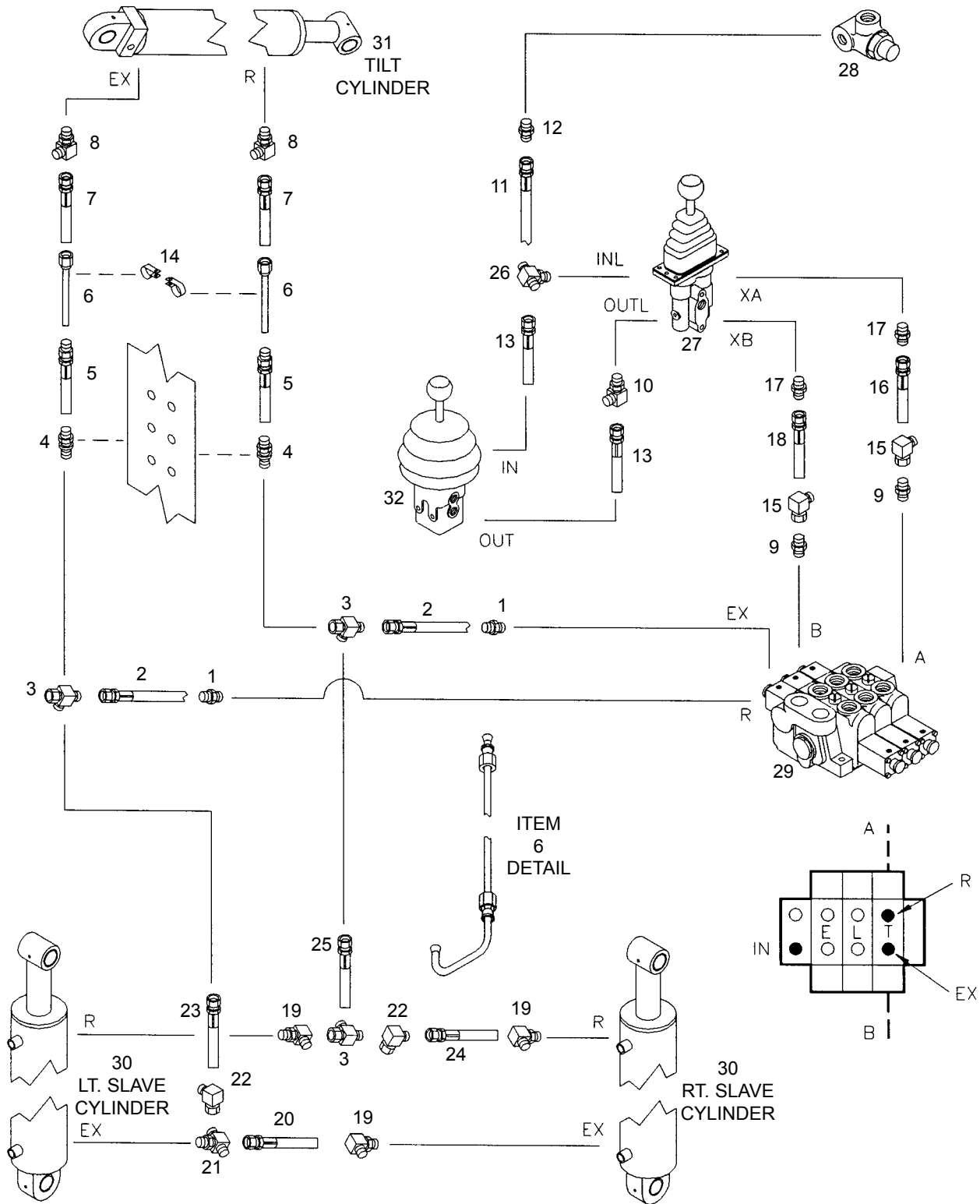


593-5020.dwg/83hys5.tif

Boom Lift Plumbing Lines

Ref. No.	Part No.	Description	Qty. Req.	Ref. No.	Part No.	Description	Qty. Req.
01	L445001	MALE 90 ELBOW (-12OR/-12JIC)	1	08	L444002	STR. MALE CONNTR. (-6OR/-6JIC)	2
02	L446019	SWVL. RUN TEE (-12JICFS/-12MICM/-12MICM)	2	09	L64276	HOSE ASY. -4X114"	1
03	L64297	HOSE ASY. -8X82"	4	10	L64401	BOOM LIFT CYLINDER	2
04	L445002	MALE 90 ELBOW (-8OR/-8JIC)	2		L64083	S/N 7001-7004	
05	L445002	MALE 90 ELBOW (-8OR/-8JIC)	2	11	L66821	S/N 7005-7445	
06	L445003	MALE 90 ELBOW (-6OR/-6JIC)	2	12	L62553	S/N 7446 & Up	
07	L64275	HOSE ASY. -4X102"	1		L66441	JOYSTICK, LIFT/EXTEND CONTROL VALVE	1
					L98706	S/N 7380 & UP	
					L98707	Thru S/N 7379 (3-section)	
						Thru S/N 7379 (4-section)	

Boom Carrier Tilt/Slave Plumbing Lines

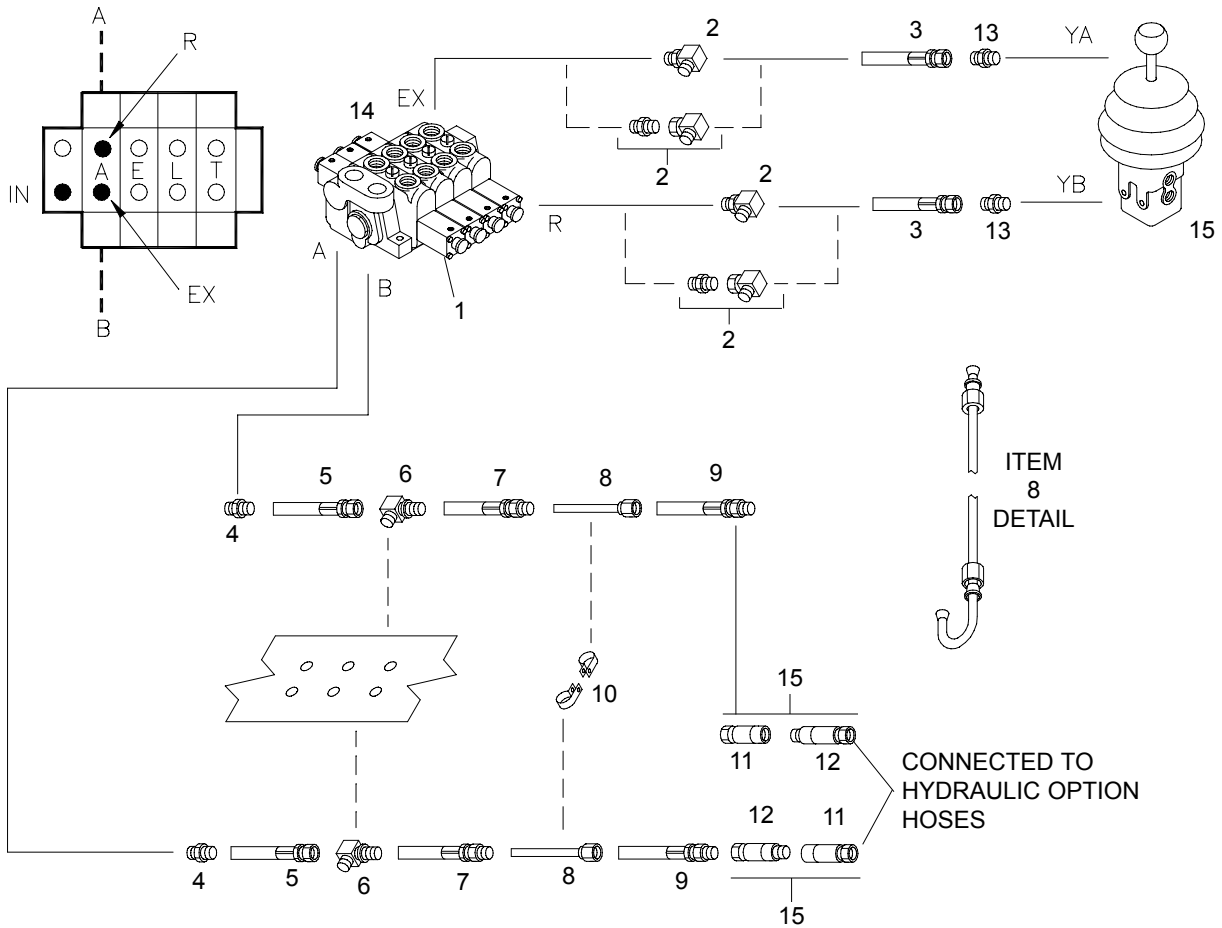


584-0805.dwg/83hys6.tif

Boom Carrier Tilt/Slave Plumbing Lines

Ref. No.	Part No.	Description	Qty. Req.	Ref. No.	Part No.	Description	Qty. Req.
01	L444003	STR. MALE CONNTR.	2	18	L64271	(-6OR/-6JIC) HOSE ASY. -4X120"	1
02	L64325	HOSE ASY. -8X38"	2	19	L445002	MALE 90 ELBOW	3
03	L446026	SWVL. RUN TEE	3	20	L64295	(-8OR/-8JIC) HOSE ASY-8X28"	1
04	L446052	STR. MALE BULKHD.	2	21	L64660	MALE TEE	1
05	L64299	HOSE ASY. -8X42"	2	22	L446017	(-8JIC EA.END) SWVL. 90 ELBOW	2
06	L64563	TUBE ASY. -8	2	23	L64296	(-8JICFS/-8JICM) HOSE ASY. -8X38"	1
07	L64309	HOSE ASY. -8X380"	2	24	L64303	HOSE ASY. -8X58"	1
08	L445006	(W/Reusable Ftg.) MALE 90 ELBOW	2	25	L64294	HOSE ASY. -8X53"	1
09	L444002	(-12OR/-8JICM) STR. MALE CONNTR.	2	26	L51762	MALE TEE	1
10	L445003	S/N 7380 & Up, V40 vALVE MALE 90 ELBOW	1	27	L60302	(-6OR/-6JIC/-6JIC) TILT JOYSTICK	1
11	L64284	(-6OR/-6JICM) HOSE ASY. -6X36"	1	28	L60523	JOYSTICK RELIEF	1
12	L60253	STR. MALE CONNTR.	1	29	L66441	CONTROL VALVE	1
13	L64279	(-10OR/-6JIC) HOSE ASY. -4X24"	2		L98706	S/N 7380 & UP Thru S/N 7379 (3-section)	
14	L570023	CLAMP 1/2"	6	30	L98707	Thru S/N 7379 (4-section)	
15	L60653	(3) 5/16-18 SFN SWVL. 90 ELBOW	2		L64087	SLAVE CYLINDER	2
16	L64276	(-6JICFS/-6JICM) HOSE ASY. -4X114"	1		L66032	S/N 7001-7004	
17	L444002	STR. MALE CONNTR.	1	31	L66666	S/N 7005-7443	
						S/N 7444 & Up	
						TILT CYLINDER	1
						S/N 7001-7004	
						S/N 7005-7444	
						S/N 7445 & Up	
				32	L62553	JOYSTICK, LIFT/EXTEND	1

Auxilliary Hydraulic Plumbing Lines

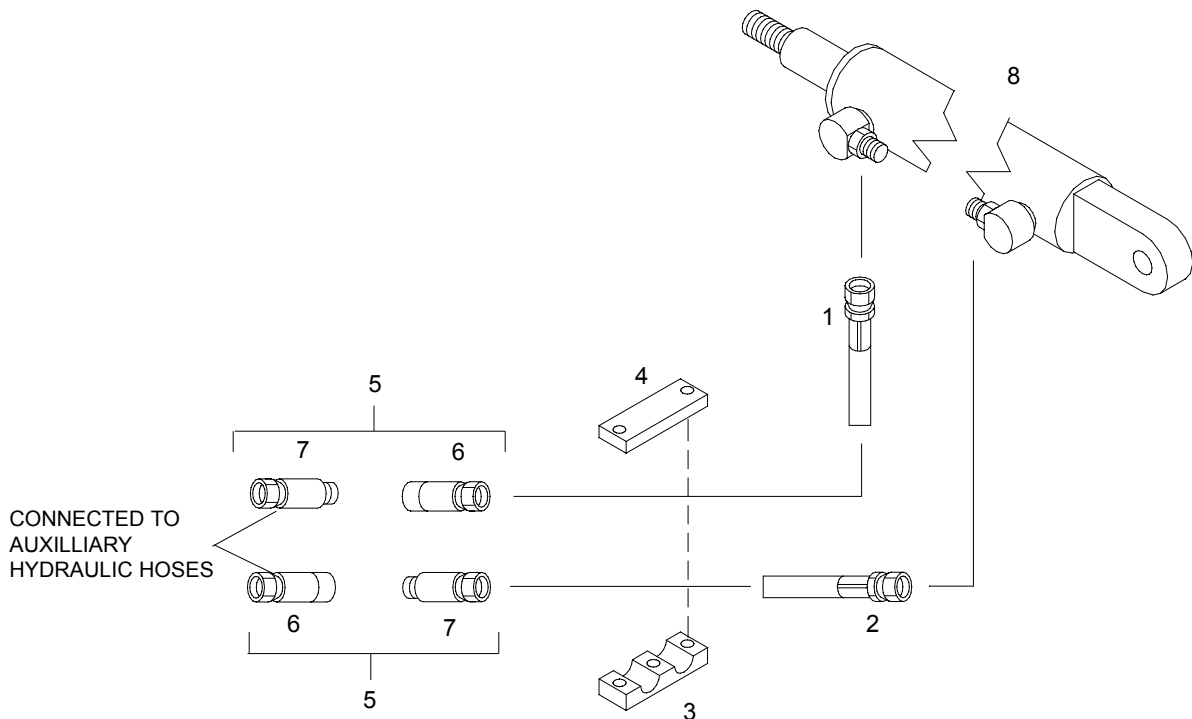


78-0806.dwg/83rothyd.wmf

Auxilliary Hydraulic Plumbing Lines

Ref. No.	Part No.	Description	Qty. Req.	Ref. No.	Part No.	Description	Qty. Req.
01	L62900	ROTATE SECTION	1	09	L64327	HOSE ASY. -6X360".....	2
02 ^a	L445003	MALE 90 ELBOW	2	10	L570023	CLAMP 1/2".....	6
		(-6OR/-6JIC)				(3) 5/16-18 SFN	
02 ^b	L60653	SWVL. 90 ELBOW.....	2	11	NSS	FEMALE COUPLER.....	1
		(-6JICFS/-6JICM)		12	NSS	MALE COUPLER.....	1
	L444002	STR. MALE CONNTR.	2	13	L444002	STR. MALE CONNTR.	2
		(-6OR/-6JIC)				(-6OR/-6JIC)	
03	L64277	HOSE ASY. -4X108".....	2	14		CONTROL VALVE	1
04	L444003	STR. MALE CONNTR.	2		L66441	S/N 7380 & UP (V40)	
		(-12OR/-12JIC)			L98706	Thru S/N 7379 (3-section, V30)	
05	L64308	HOSE ASY. -8X	2		L98707	Thru S/N 7379 (4-section, V30)	
06	L40347	MALE 90 BULKHD.	2	15	L65273	COUPLER SET	2
		(-8JIC EA.END)					
07	L64293	HOSE ASY-8X42"	2				
08	L64562	TUBE ASY. -8	2				
				<i>a</i>		<i>Thru S/N 7379. Used w/V30 Valve Only.</i>	
				<i>b</i>		<i>S/N 7380 & Up. Used W/V40 Valve Only.</i>	

Fork Shift Carriage Attachment Plumbing Lines

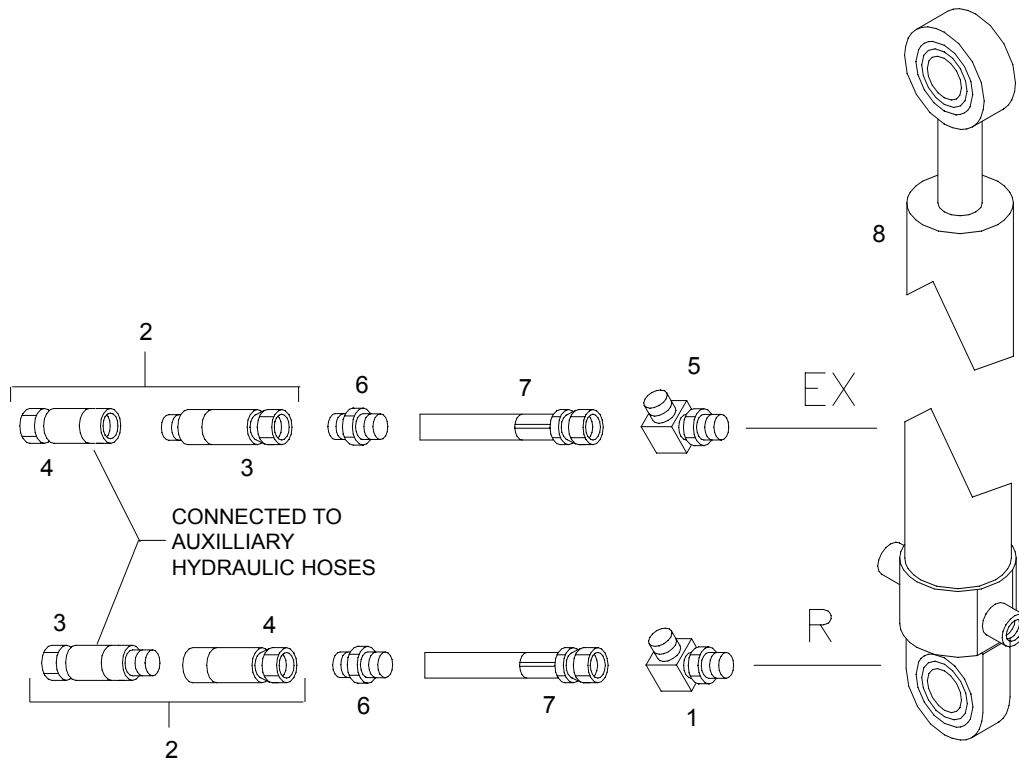


140-1708.dwg/83hys5.wmf

Fork Shift Carriage Attachment Plumbing

Ref. No.	Part No.	Description	Qty. Req.	Ref. No.	Part No.	Description	Qty. Req.
01	L66949	HOSE ASY. -6X56".....	1	05	L65273	COUPLER SET	1
02	L66950	HOSE ASY. -6X59".....	1	06	NSS	MALE HALF	1
03	L63716	HOSE CUSHION	1	07	NSS	FEMALE HALF	1
04	L63715	CUSHION TOP	1	08	L66920	FORK SHIFT CYLINDER.....	1

Rotate Carriage Attachment Plumbing Lines

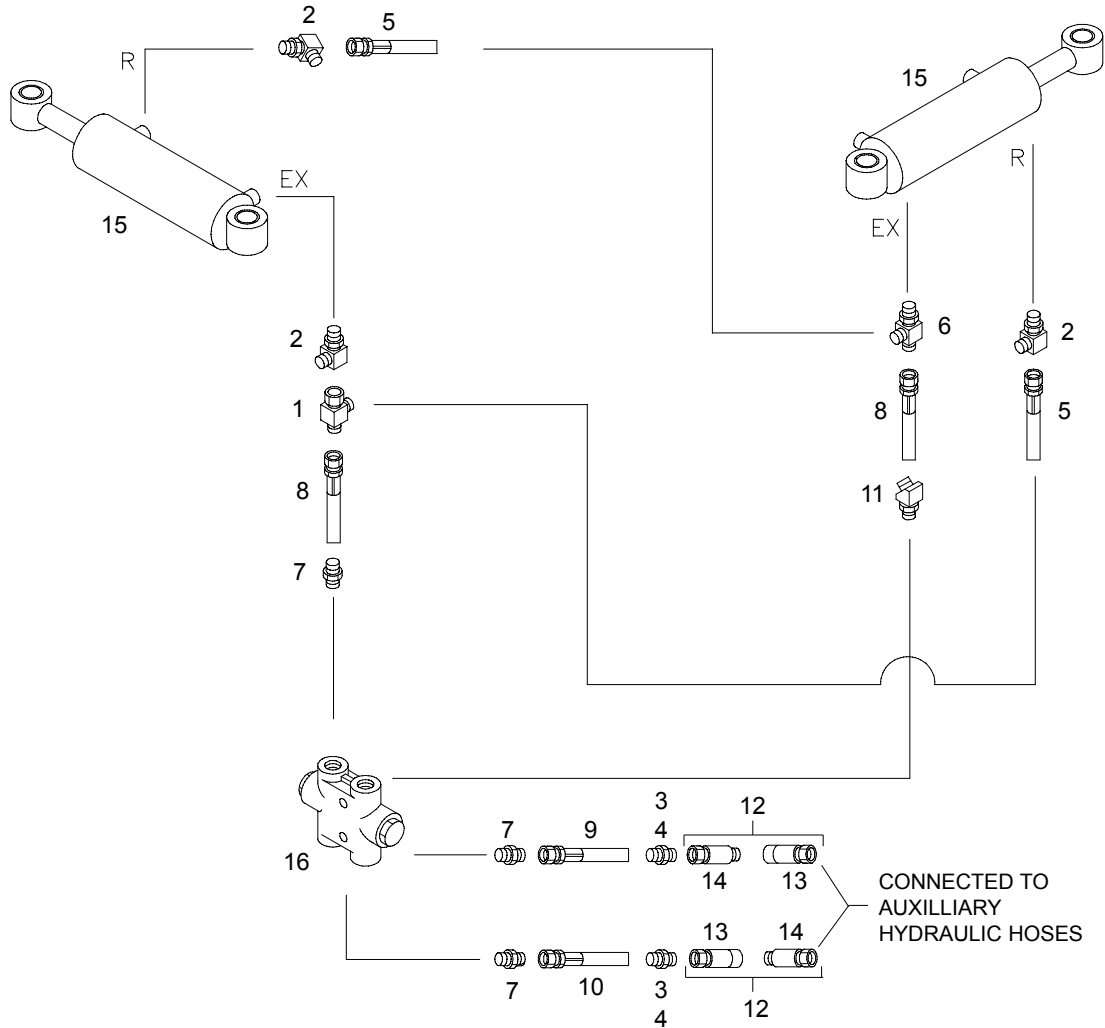


78-0806.dwg/83hys6.wmf

Rotate Carriage Attachment Plumbing Lines

Ref. No.	Part No.	Description	Qty. Req.	Ref. No.	Part No.	Description	Qty. Req.
01	L445002	MALE 90 ELBOW	1	05	L66017	MALE 90 ELBOW W / ORIFICE	1
		(-8OR/-8JIC)				(-8OR/-8JIC)	
02	L65273	COUPLER SET	2	06	L444004	STR. MALE CONNTR.	2
03	NSS	MALE HALF	2			(-8OR/-8JIC)	
04	NSS	FEMALE HALF	2	07	L64294	HOSE ASY. -8X53".	2
				08	L61317	ROTATE CYLINDER	1

Swing Carriage Attachment Plumbing Lines

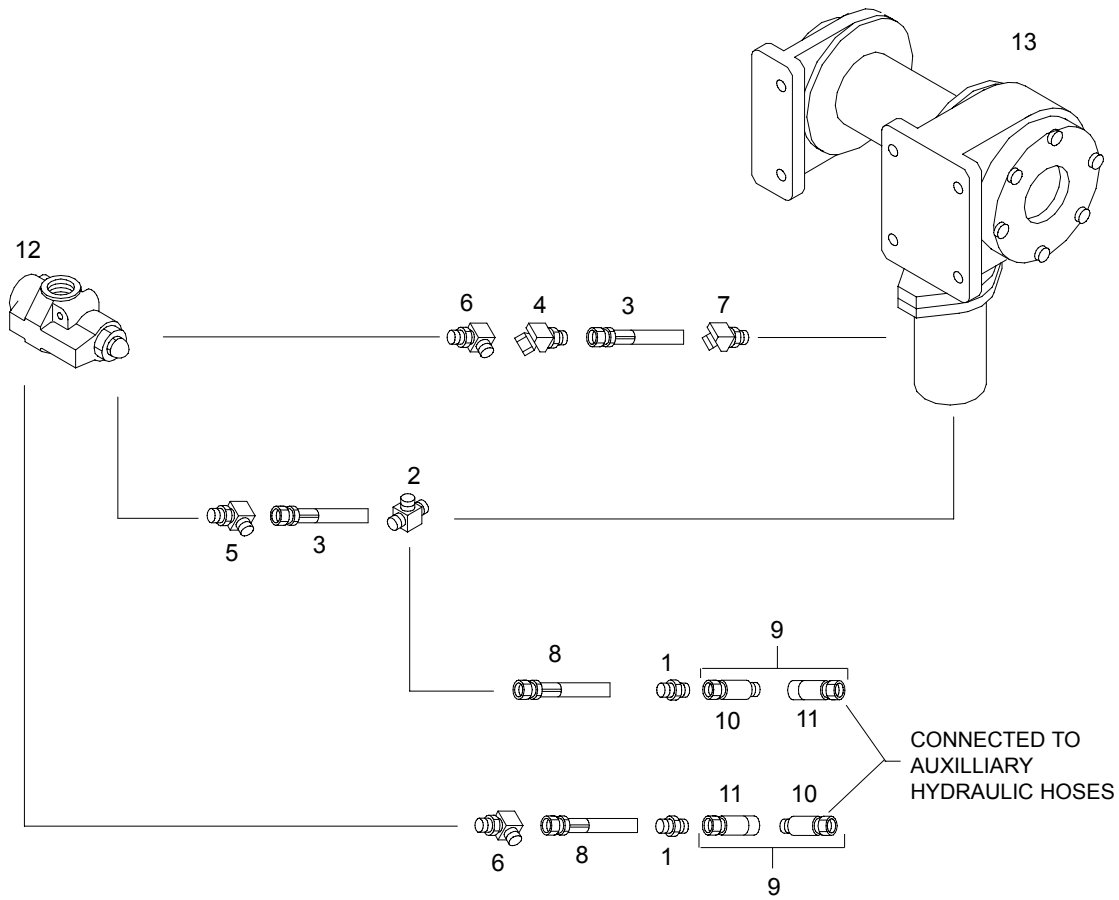


139-1707.dwg/83hys8.tif

Swing Carriage Attachment Plumbing Lines

Ref. No.	Part No.	Description	Qty. Req.	Ref. No.	Part No.	Description	Qty. Req.
01	L446026	SWVL. RUN TEE	1	08	L65611	HOSE ASY. -8X28".	2
		(-8JICFS/-8JICM/-8JICM)		09	L64303	HOSE ASY. -8X58".	1
02	L445002	MALE 90 ELBOW	3	10	L64305	HOSE ASY. -8X44".	1
		(-8OR/-8JIC)		11	L51572	MALE 45 ELBOW	1
03	L64875	STR. MALE CONNTR.	2			(-10OR/-8JIC)	
		(-8OR/-8JIC)		12	L65273	COUPLER SET	2
04	L64874	ORIFICE	2	13	NSS	MALE HALF.	2
05	L65673	HOSE ASY-8X16"	2	14	NSS	FEMALE HALF	2
06	L64660	MALE TEE.	1	15	L65659	SWING CARRIAGE CYLINDER.	2
		(-8OR/-8JICM/-8JICM)		16	L276911	LOCK VALVE.	1
07	L444008	STR. MALE CONNTR.	3				
		(-10OR/-8JIC)					

Winch Attachment Plumbing Lines

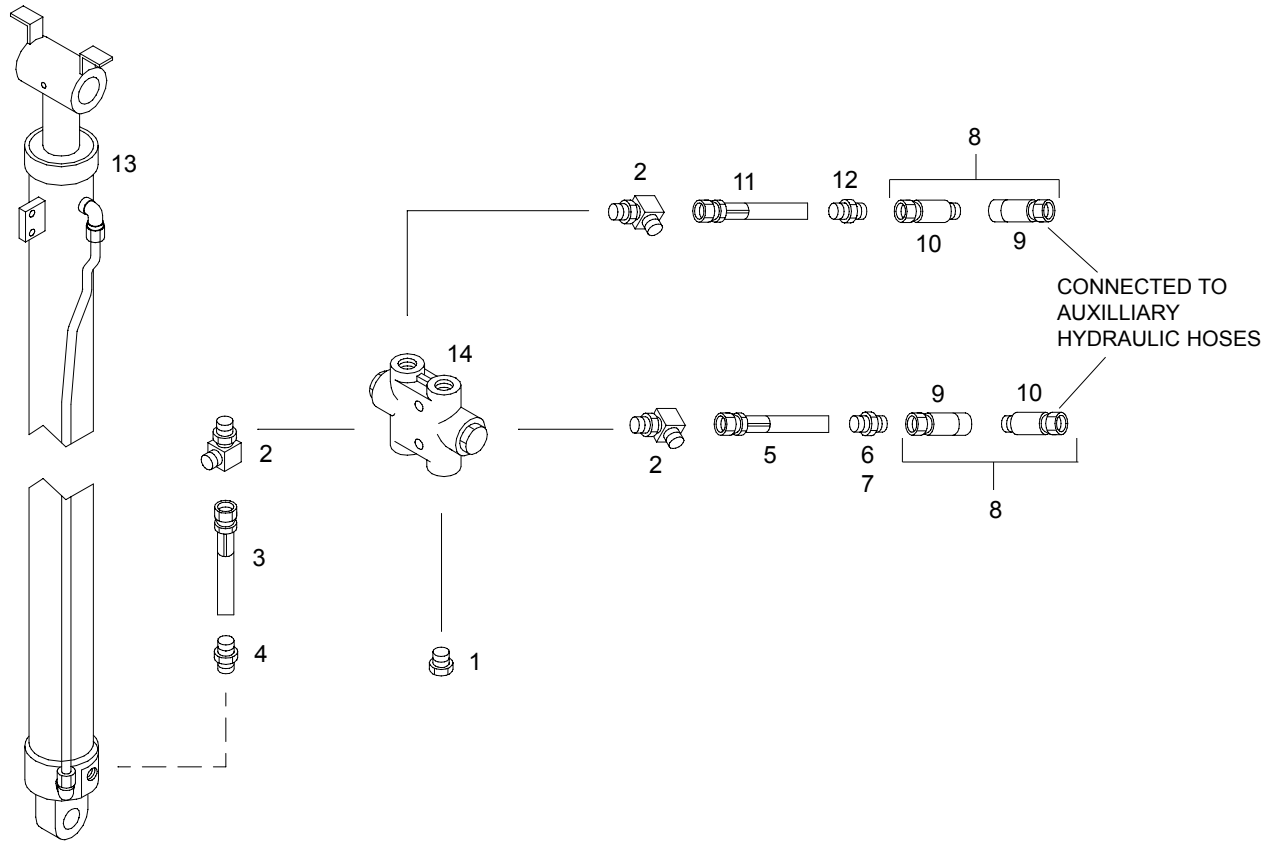


140-1708.dwg/83hys8.wmf

Winch Attachment Plumbing Lines

Ref. No.	Part No.	Description	Qty. Req.	Ref. No.	Part No.	Description	Qty. Req.
01	L444004	STR. MALE CONNTR.	2	07	L442011	MALE 45 ELBOW	1
		(-8OR/-8JIC)				(-8NPT/-8JIC)	
02	L46211	MALE TEE.	1	08	L64294	HOSE ASY. -6X53"	2
		(-8NPT/-8JIC/-8JIC)		09	L65273	COUPLER SET	2
03	L400398	HOSE ASY. -6X18.5"	2	10	NSS	MALE HALF.	2
04	L446024	ELBOW 45	1	11	NSS	FEMALE HALF	2
		(-8JICF/-8JICM)		12	L430011	RELIEF VALVE	1
05	L445006	MALE 90 ELBOW	1	13	L60458	WINCH	1
		(-12OR/-8JIC)					
06	L445009	MALE 90 ELBOW	2				
		(-10OR/-8JIC)					

**6 Ft. Mast Attachment Plumbing Lines
(Old Style)**

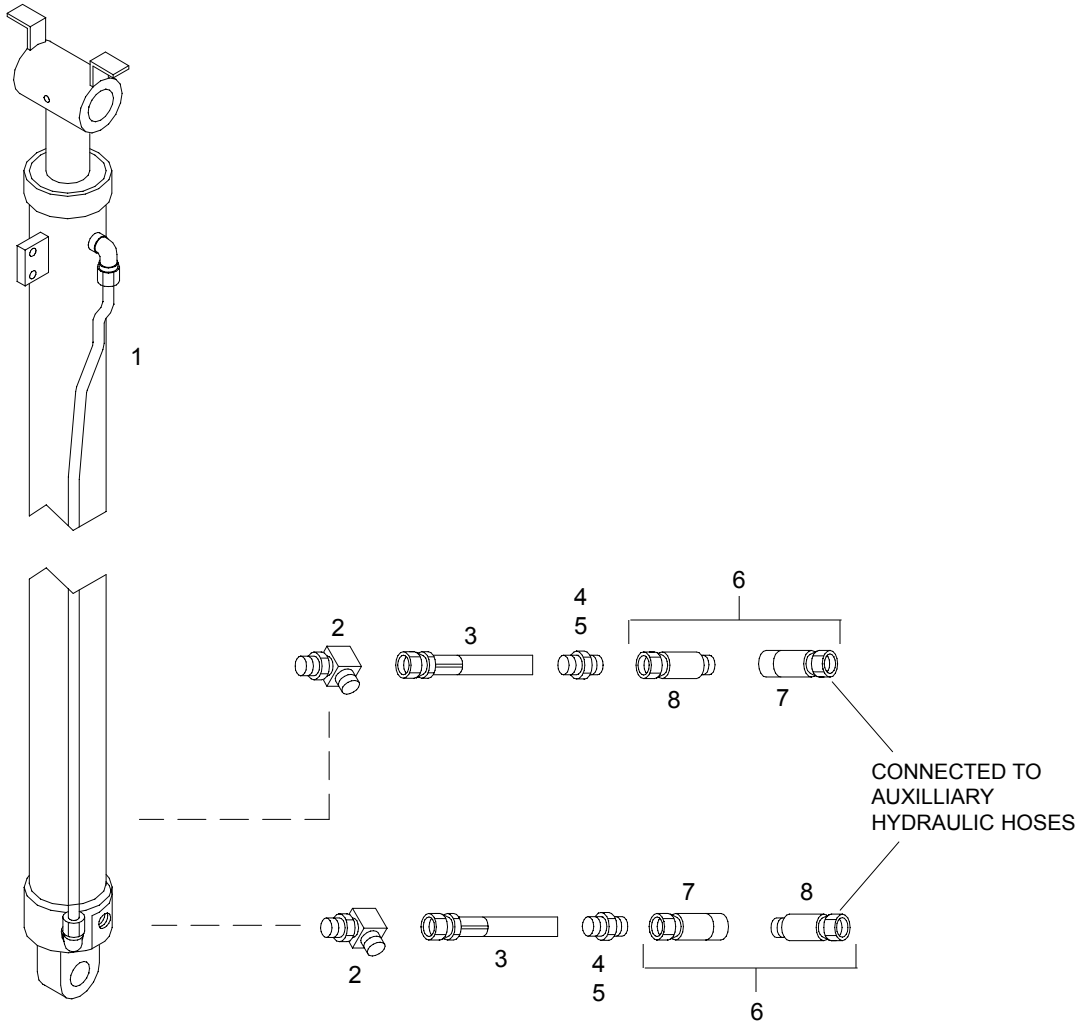


141-1709.dwg/83hys9.wmf

6 Ft. Mast Attachment Plumbing Lines (Old Style)

Ref. No.	Part No.	Description	Qty. Req.	Ref. No.	Part No.	Description	Qty. Req.
01	L51814	PLUG (-10OR)	1	07	L64874	ORIFICE	1
02	L445009	MALE 90 ELBOW (-10OR/-8JIC)	3	08	L65273	COUPLER SET	2
03	L65583	TUBE ASY. -8JICF	1	09	NSS	FEMALE SECTION	2
04	L65724	STR. MALE CONNTR. (-10JIC/-8JIC)	1	10	NSS	MALE SECTION	2
05	L64296	HOSE ASY. -8X38"	1	11	L64294	HOSE ASY. -8X53"	1
06	L64875	STR. MALE CONNTR. (-8OR/-8JIC)	1	12	L444004	STR. MALE CONNTR. (-8OR/-8JIC)	1
				13	L97982	MAST EXTEND CYLINDER	1
				14	L276911	LOCK VALVE	1

6 Ft. Mast Attachment Plumbing Lines (New Style)

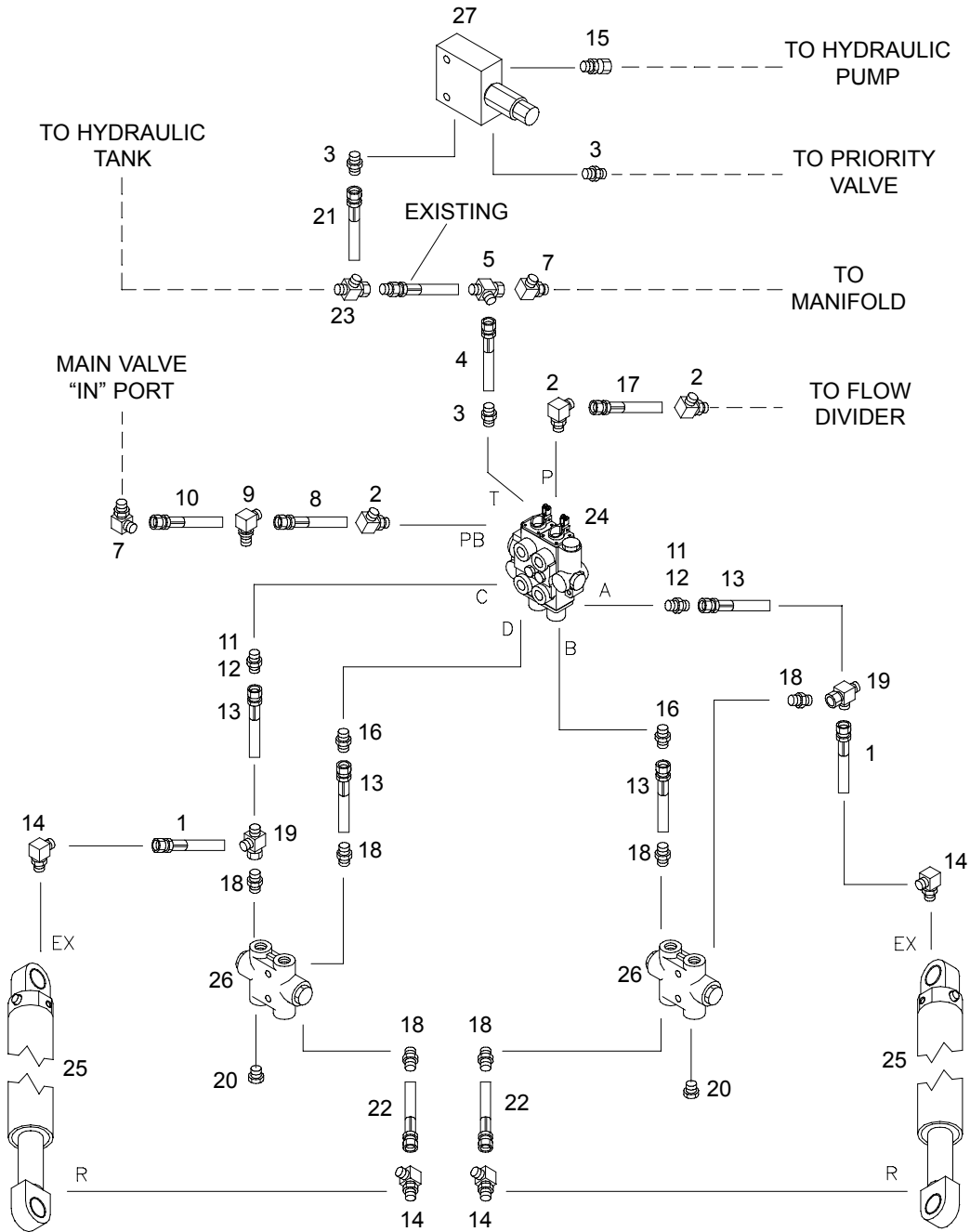


141-1709.dwg/83hys10.wmf

**6 Ft. Mast Attachment Plumbing Lines
(New Style)**

Ref. No.	Part No.	Description	Qty. Req.	Ref. No.	Part No.	Description	Qty. Req.
01	L66537	MAST LIFT CYLINDER	1	05	L64874	ORIFICE .06 DIA.....	2
02	L445005	MALE 90 ELBOW	2	06	L65273	COUPLER SET	2
		(-8OR -6JIC)		07	NSS	FEMALE SECTION	2
03	L64288	HOSE ASY, -6X80".....	2	08	NSS	MALE SECTION	2
04	L93143	TAPPED STR. MALE CONNTR ...	2				
		(-8OR -6JIC 1/8NPT)					

Outrigger Option Plumbing Lines (External Lock Valves)

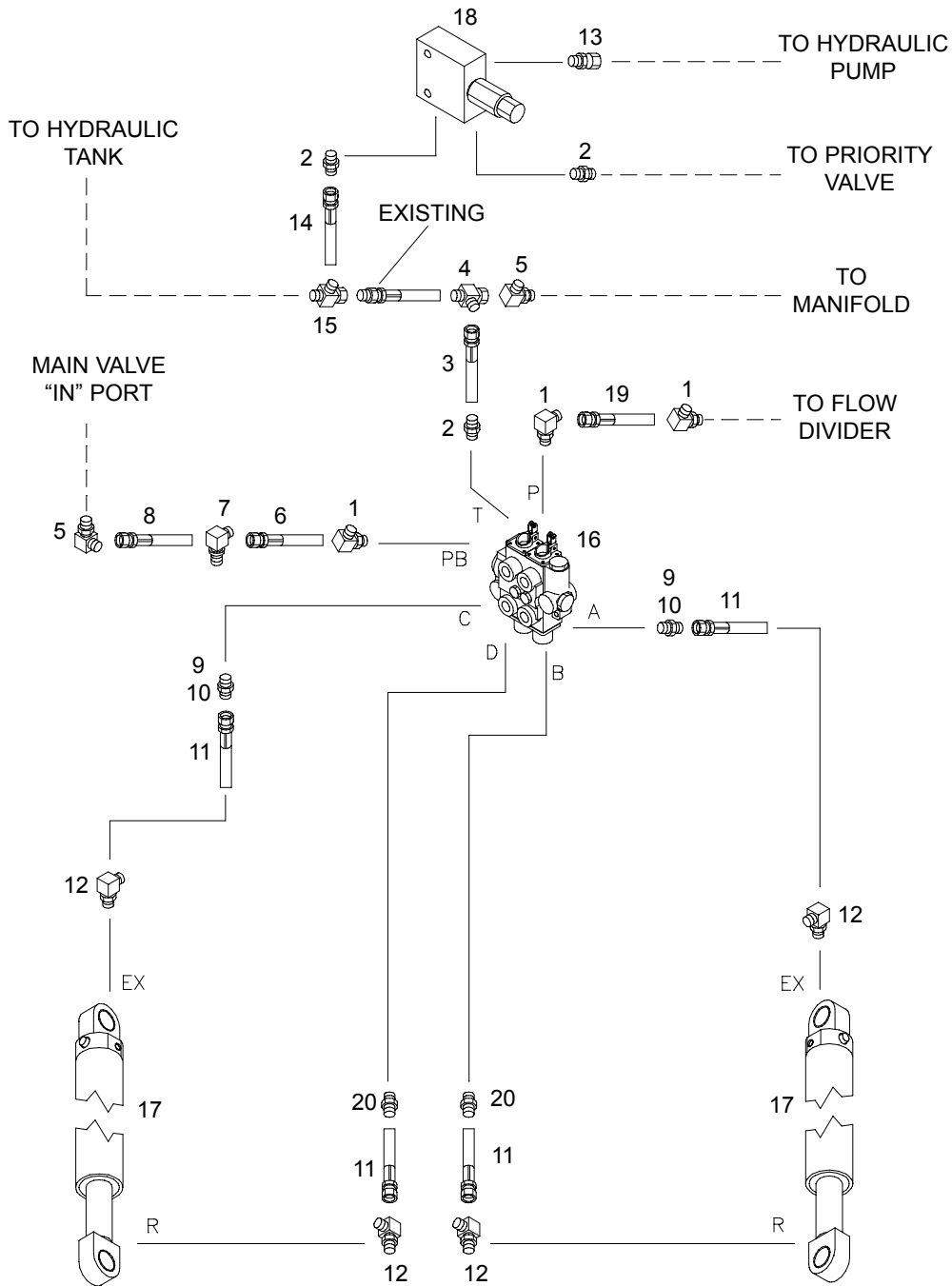


137-1705.dwg/83hys11.wmf

**Outrigger Option Plumbing Lines
(External Lock Valves)**

Ref. No.	Part No.	Description	Qty. Req.	Ref. No.	Part No.	Description	Qty. Req.
01	L65773	HOSE ASY. -6X48".....	2	16	L444004	STR. MALE CONNTR.	2
02	L445001	MALE 90 ELBOW (-12OR/-12JIC)	3			(-8OR/-8JIC)	
03	L444001	STR. MALE CONNTR.	3	17	L65201	HOSE ASY. -12X36".....	1
		(-12OR/-12JIC)		18	L444008	STR. MALE CONNTR.	6
04	L65202	HOSE ASY. -12X20".....	1			(-10ORM -8JICM)	
05	L446040	SWVL. RUN TEE.....	1	19	L446026	SWVL. RUN TEE.....	2
		(-12FS/-12JICM/-12JICM)				(-12FS/-12JICM/-12JICM)	
06	L64304	HOSE ASY. -12X68".....	1	20	L51814	PLUG (OR7/8-14)	2
07	L51621	MALE 90 ELBOW (-12OR/-12JIC)	2	21	L65569	HOSE ASY. -12X22".....	1
				22	L65772	HOSE ASY. -6X40".....	2
08	L65203	HOSE ASY. -12X14".....	1	23	L446019	SWVL. RUN TE	1
09	L446034	MALE 90 BULKHD. (-12JIC/-12JIC)	1			(-12JICFS/-12JICM/-12JICM)	
10	L64323	HOSE ASY-12X76".....	1	24	L65176	OUTRIGGER VALVE	1
11	L64875	STR. TAPPED ADAPTER..... (-8OR/-8JIC)	2		L66942	Thru S/N 7034 S/N 7035 & Up	
12	L65205	ORIFICE .12 DIA	2	25	L64968	OUTRIGGER CYLINDER.....	2
13	L65200	HOSE ASY. -6X144".....	4		L66642	Thru S/N 7386 S/N 7387 & Up	
14	L445002	MALE 90 ELBOW (-8OR/-8JIC)	4	26	L276911	LOCK VALVE.....	2
15	L65557	STR. SWVL.CONNTR. (-12JICFS/-12JICM)	1		L65771	MOUNTING PLATE.....	1
				27	L65556	RELIEF VALVE	1

Outrigger Option Plumbing Lines

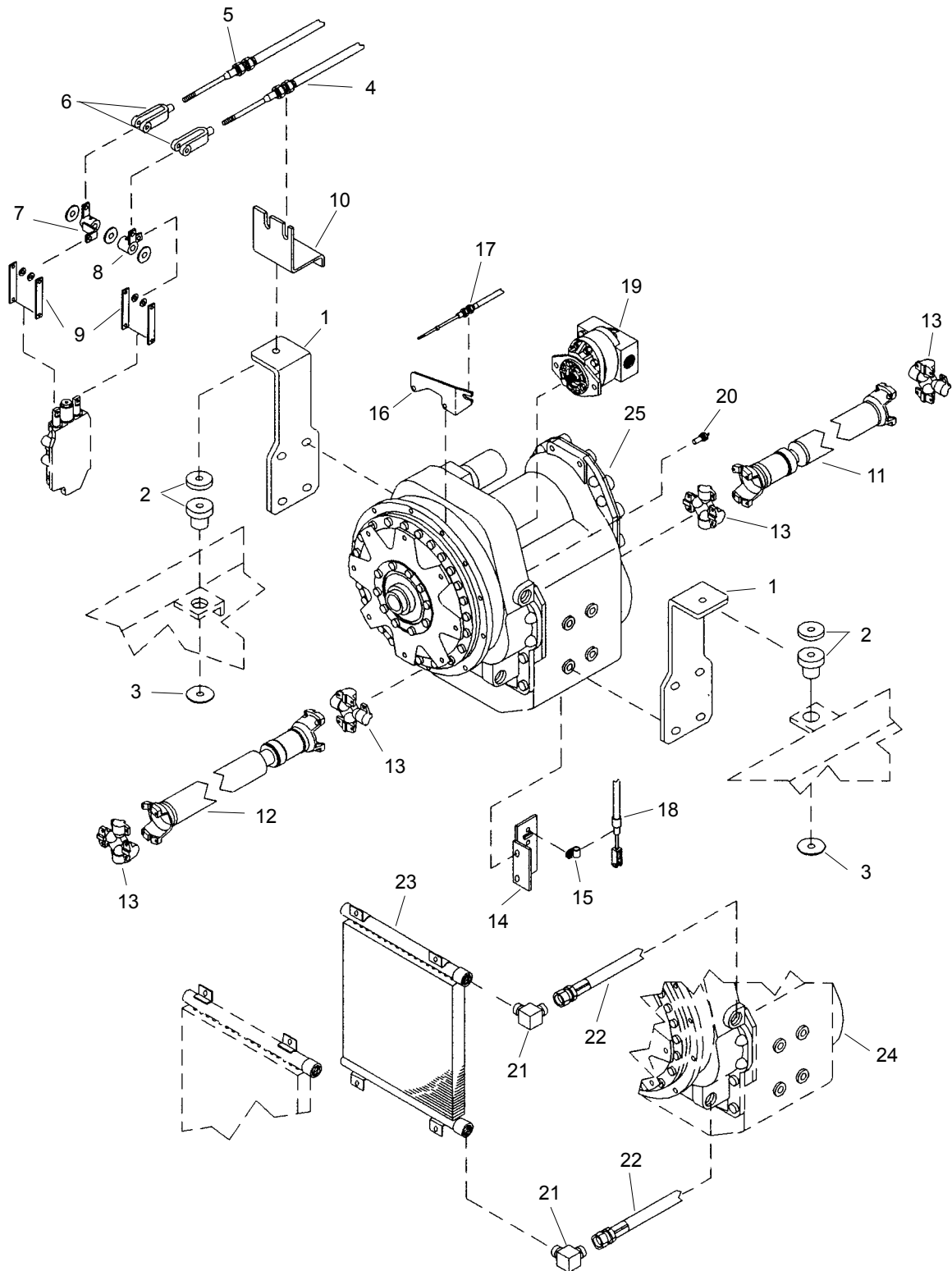


137-1705.dwg/83hys12.wmf

Outrigger Option Plumbing Lines

Ref. No.	Part No.	Description	Qty. Req.	Ref. No.	Part No.	Description	Qty. Req.
01	L445001	MALE 90 ELBOW 3 (-12OR/-12JIC)	3	12	L445002	MALE 90 ELBOW 4 (-8OR/-8JIC)	4
02	L444001	STR. MALE CONNTR. 1 (-12OR/-12JIC)	1	13	L65557	STR. SWVL.CONNTR. 1 (-12JICFS/-12JICM)	1
03	L65202	HOSE ASY. -12X20"..... 1	1	14	L65569	HOSE ASY. -12X22"..... 1	1
04	L446040	SWVL. RUN TEE..... 1 (-12FS/-12JICM/-12JICM)	1	15	L446019	SWVL. RUN TE 1 (-12JICFS/-12JICM/-12JICM)	1
05	L51621	MALE 90 ELBOW 2 (-12OR/-12JIC)	2	16		OUTRIGGER VALVE 1 Thru S/N 7034	1
06	L65203	HOSE ASY. -12X14"..... 1	1		L65176	S/N 7035 & Up	
07	L446034	MALE 90 BULKHD. 1 (-12JIC/-12JIC)	1	17	L66942	OUTRIGGER CYLINDER..... 2 Thru S/N 7386	2
08	L64323	HOSE ASY-12X76"..... 1	1		L64968	S/N 7387 & Up	
09	L64875	STR. TAPPED ADAPTER..... 2 (-8OR/-8JIC)	2	18	L65556	RELIEF VALVE 1	1
10	L65205	ORIFICE .12 DIA 2	2	19	L65201	HOSE ASY. -12X36"..... 1	1
11	L65200	HOSE ASY. -6X144"..... 4	4	20	L444004	STR. MALE CONNTR. 2 (-8OR/-8JIC)	2

Transmission - External Components Group



19-0226.dwg/83prtn1.tif

**Transmission - External Components Group
with 18000 Series Transmission**

Ref. No.	Part No.	Description	Qty. Req.	Ref. No.	Part No.	Description	Qty. Req.
01		TRANSM. MTG. PLATE	2		L50607	COTTER PIN 1/8X1	1
	L64100	Thru S/N 7367			L42342	CLEVIS PIN 3/8X1-1/4	1
	L66542	S/N 7368-7952, except 7940, 7941			L50403	CAPSCREW 3/8-16X1-1/4	1
	L68547	S/N 7953 & Up, incl. 7940, 7941			L50061	SERR. FLGE. NUT 3/8-16	1
	L50875	CAPSCREW 3/4-10X1-1/2	8	19		HYD. PUMP	1
	L50158	LOCKWASHER 3/4	8		L64525	Thru S/N 7379	
02	L64124	ISOLATOR MOUNT	2		L66731	S/N 7380 & Up	
	L50319	CAPSCREW 5/8-11X3-1/2	2		L50283	CAPSCREW 1/2-13X1-1/4	2
	L50155	PLAIN WASHER 5/8	2		L50151	PLAIN WASHER 1/2	2
	L520007	NYLON INSERT NUT 5/8-11	2	20	L64795	OIL PRESS. SENDER	1
03	L64197	WASHER	2	21	L62955	90° MALE ELBOW	2
04	L64457	F-N-R SHIFT CABLE	1			(-16NPT/-12JIC)	
05	L64457	1-2-3 SHIFT CABLE	1	22	L64318	HOSE ASY. -12X96"	2
06	L120017	CLEVIS	2	23	L450002	COOLER	1
07	L64602	1-2-3 SHIFT ARM	1	24	Note a	TRANS. ASY., CLARK 18000	1
	L10057	GREASE ZERK	1		L50261	CAPSCREW 3/8-16X1-1/2	11
	L50309	CAPSCREW 5/8-11X2-3/4	1			(To Eng. Housing)	
	L50155	PLAIN WASHER 5/8	2		L50833	CAP SCREW GR8 3/8-24X2	8
08	L64601	F-N-R SHIFT ARM	1	25	L47212	CLAMP 3/8"	1
	L50309	CAPSCREW 5/8-11X2-3/4	1			(Fuel Sender Wire)	
	L50155	PLAIN WASHER 5/8	2		L570022	CLAMP 1/2"	1
09	L48071	LINK ARM	4			(Positive Batt. Cable)	
	L560003	COTTER PIN 3/32X1-1/4	4				
	L44200	CLEVIS PIN 5/16X1	4	a		Refer to Model No. Tag on Trans. & Use	
	L50137	PLAIN WASHER 1/4	4			Part No. 907368 Manual For Breakdown.	
10	L64464	CABLE MT. BRACKET	1	b		For Units S/N 7001-7377, Use P/N L220008:	
11	L68564	FRT. DRVSHAFT. W/U-JOINTS	1			6C Greaseable, Has Tapped Bearing Caps for Mtg.	
12	L68565	REAR DRVSHAFT. W/U-JOINTS	1			to Shaft.	
13	Note b	U-JOINT ASY.	4			For Units S/N 7378 - 7573, Use P/N L99077:	
14	L64991	CABLE ANCHOR PLATE	1			6C Lube-For-Life, Has Thru-Hole Bearing Caps for	
15	L47275	CABLE CLAMP	1			Mtg. to Tapped Shaft.	
	L50403	CAPSCREW 3/8-16X1-1/4	1			For Units S/N 7574 - 7616, Check Bearing Caps	
	L50061	SERR. FLGE. NUT 3/8-16	1			for Mtg. Style; If Tapped, Use P/N L99183; If Thru-	
16		THROTTLE CABLE BRKT.	1			Hole, Use P/N L99077.	
	L66606	(For J.D.Eng.)				For Units S/N 7617 & Up, Use P/N L99183:	
	L66523	(For Perk.Eng.)				6C Non-Greaseable, Directly Interchangeable	
17	L64463	THROTTLE CABLE	1			w/L220008 Except is Non-Greaseable. Has Tapped	
18	L47879	PARK BRAKE CABLE	1			Bearing Caps for Mtg. to Shaft.	

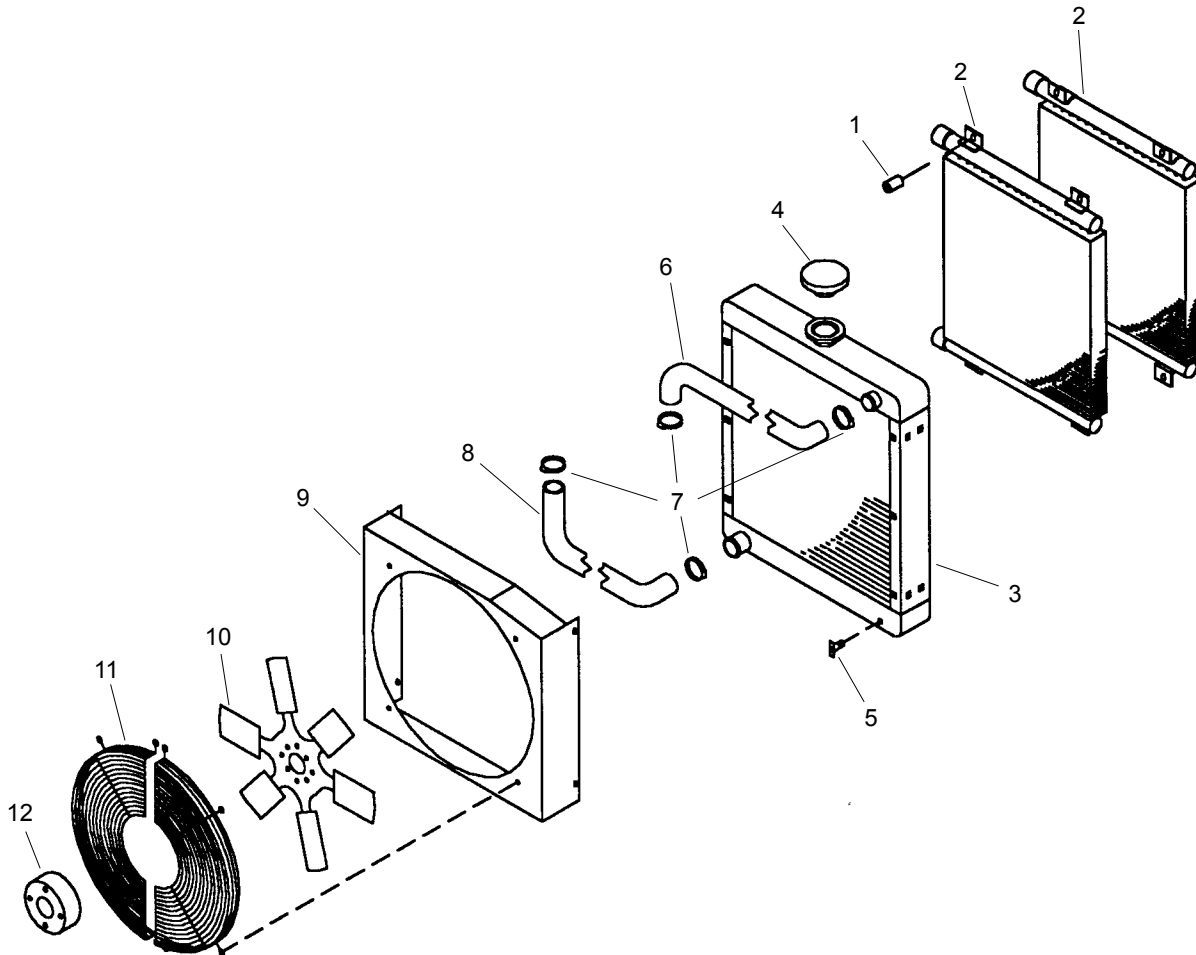
Transmission - Internal Components Group

NOTICE

*FOR INTERNAL PARTS BREAKDOWN OF THE 18000
SERIES TRANSMISSION , REFER TO SEPARATE
MANUAL FORM NO. 907368.
IF YOU DO NOT HAVE THIS MANUAL, IT CAN BE
ORDERED BY CALLING GEHL AT 605-665-6500.*

Notes

Radiator/Coolers Group

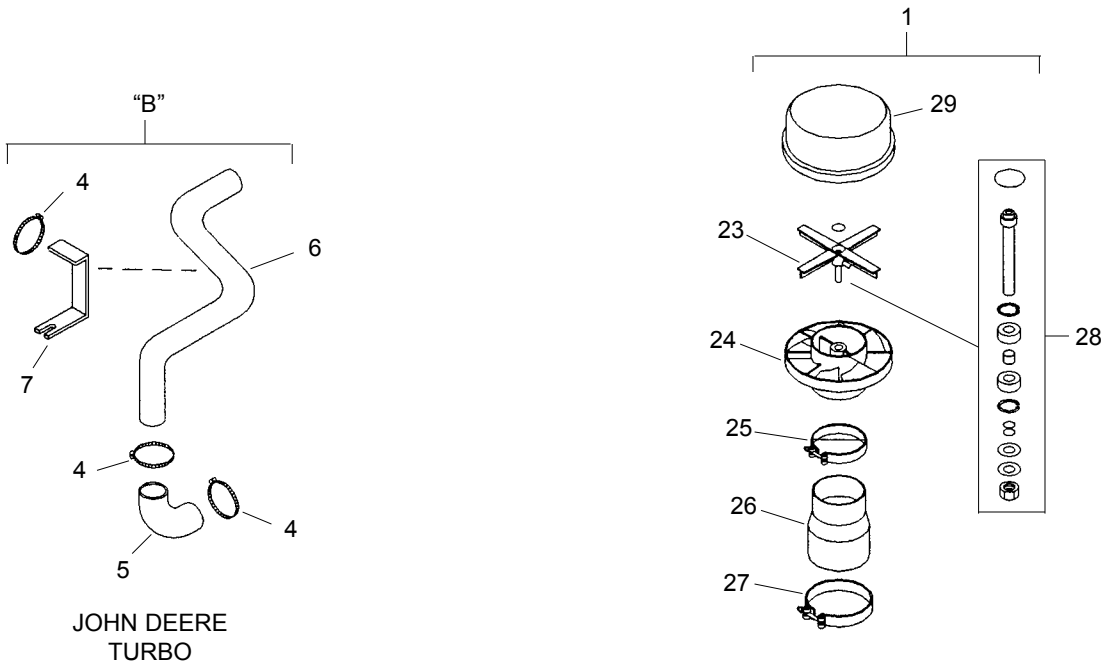
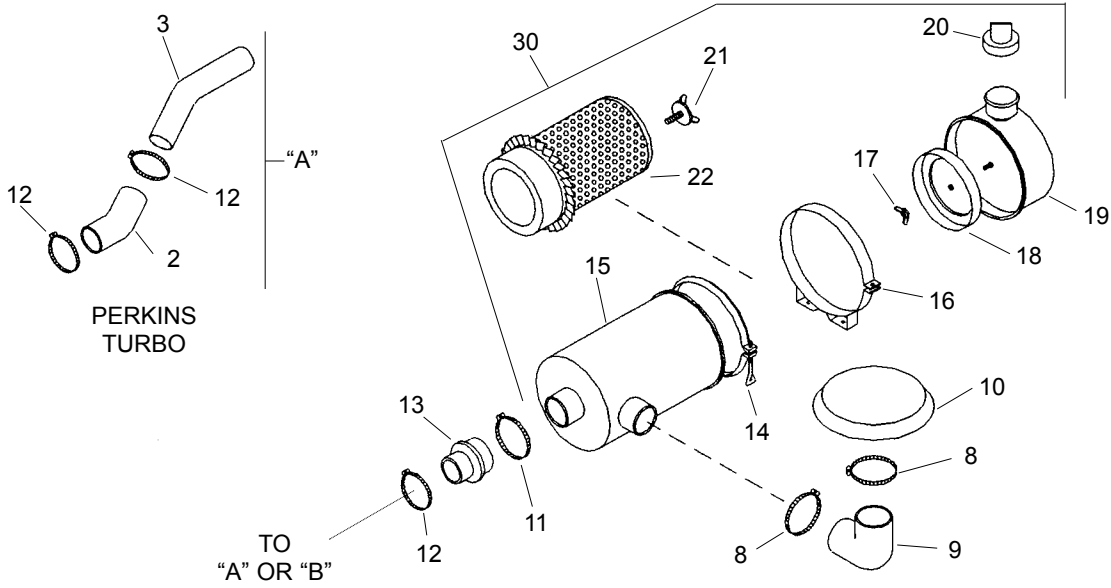


21-0244.dwg/83prt2.tif

Radiator/Coolers Group

Ref. No.	Part No.	Description	Qty. Req.	Ref. No.	Part No.	Description	Qty. Req.
01 ^b		SPACER	4	09		SHROUD	1
		Not Used w/Louver-less Top Hood			L64748	w / J.D. Engine Thru S/N 7379	
02 ^a	L450002	OIL COOLER	2		L66515	w / J.D. Engine S/N 7380 & Up	
	L50061	SERR. FLGE. NUT 3/8-16	2		L64039	w / Perkins Engine Thru S/N 7367	
03	L45934	RADIATOR	1		L66515	w / Perkins Engine S/N 7368 & Up	
	L50151	PLAIN WASHER 1/2	2		L50230	CAPSCREW 5/16-18X3/4	6
	L520019	NYLON INSERT NUT 1/2-13	2		L50141	PLAIN WASHER 5/16	6
04		CAP	1	10		FAN	1
	L96989	Modine or Radiator Specialties			L66265	w / J.D. Engines	
		Radiators. See tag on radiator			L99079	w / Perkins Engine Thru S/N 7367	
	L99433	Indiana Heat Transfer Radiators. See tag on radiator.			L66502	w / Perkins Engine S/N 7368 & Up	
05	L40805	DRAIN COCK	1		L50835	CAPSCREW 5/16-18X2	4
06		UPPER HOSE	1	11	L50141	PLAIN WASHER 5/16	4
	L61136	w / J.D. Engine Thru S/N 7953 except S/N 7940, 7941			L63665	FAN GUARD HALF	2
	L68539	w / J.D. Engine S/N 7954 & Up including S/N 7940, 7941		12	L50230	CAPSCREW 5/16-18X3/4	8
	L64055	w / Perkins Engine Thru S/N 7367			L66709	FAN SPACER	1
	L66521	w / Perkins Engine S/N 7368 & Up		<i>a</i>		<i>Refer to Transmisson or Hydraulics Sect. for Plumbing.</i>	
07	L66877	HOSE CLAMP	4	<i>b</i>		<i>Not Used w/Louver-less Top Hood.</i>	
08		LOWER HOSE	1				
	L66414	w / J.D. Engine Thru S/N 7953 except S/N 7940, 7941					
	L68580	w / J.D. Engine S/N 7954 & Up including S/N 7940, 7941					
	L64047	w / Perkins Engine Thru S/N 7367					
	L66522	w / Perkins Engine S/N 7368 & Up					

Engine, Air Intake Group

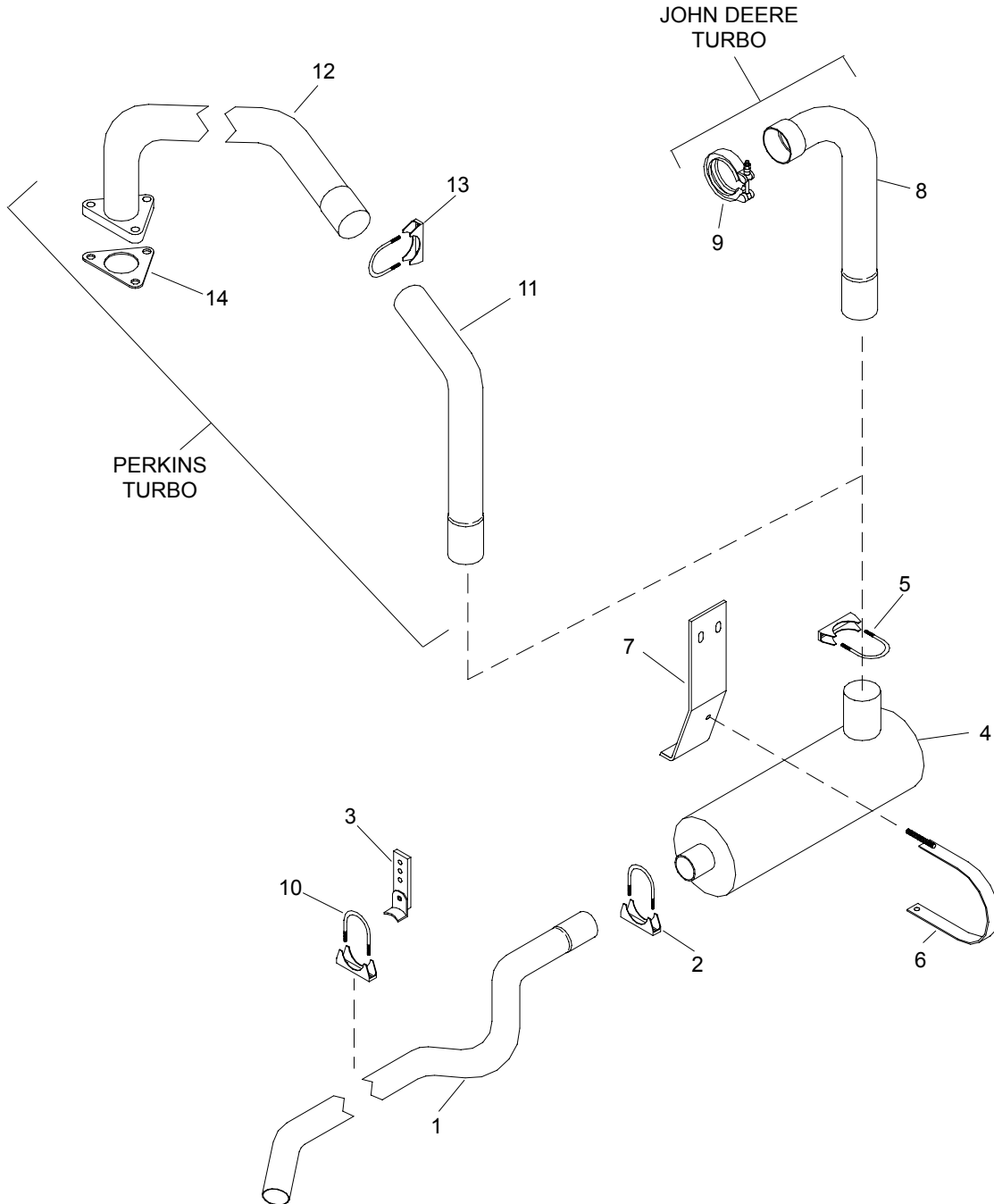


80-0808.dwg/83prt3.tif

Engine, Air Intake Group

Ref. No.	Part No.	Description	Qty. Req.	Ref. No.	Part No.	Description	Qty. Req.
01	L66912	CENTRIF. PRE-CLNR. OPTION1 (includes Items 23-29)	1	16	L120022	MOUNTING BAND	2
02	L65110	45° RUBBER ELBOW	1		L50230	CAPSCREW 5/16-18X3/4	4
03	L65135	INTAKE TUBE	1		L50056	SERR. FLGE. NUT 5/16-18	4
04	L51098	ADJUST. CLAMP	3	17	NSS	WINGNUT	1
05	L120041	90° RUBBER ELBOW, 3" DIA.	1	18	NSS	BAFFLE	1
06	L65448	INTAKE TUBE	1	19	NSS	END CAP	1
07	L66594	BRACKET	1		NSS	GASKET	1
08	L51761	ADJUST. CLAMP	2	20	L94580	EVACUATOR	1
09	L64864	90° RUBBER ELBOW, 4" DIA.	1	21	078936	WINGNUT	1
10	L64863	INLET HOOD	1	22	L120037	ELEMENT	1
11	L51781	ADJUST. CLAMP, #72	1	23	NSS	IMPELLER	1
12	L51098	ADJUST. CLAMP, #48	2	24	NSS	HOUSING	1
13	L47419	STR. RUBR. ADAPTER 4" TO 3"	1	25	NSS	CLAMP	1
14	L98648	THRUMBSCREW	1	26	NSS	REDUCER	1
	L98646	CLAMP	1	27	NSS	CLAMP	1
15	NSS	HOUSING	1	28	NSS	PIVOT ASY.	1
				29	NSS	CAP	1
				30	L120021	AIR CLEANER ASY. (Items 14,15 17-22)	1

Engine, Exhaust Group

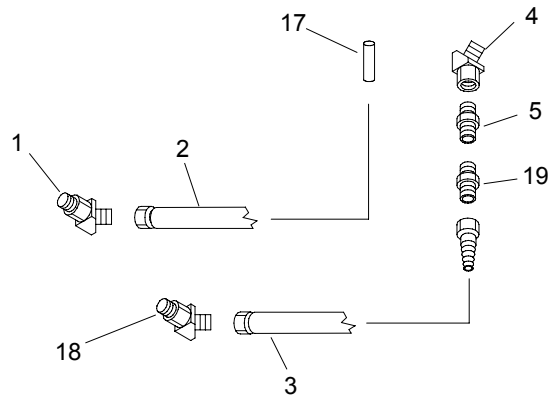
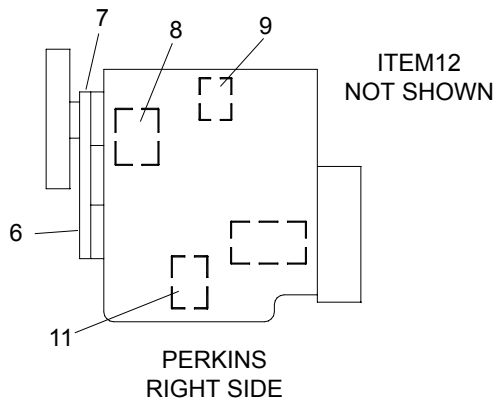
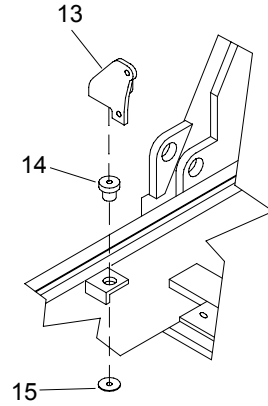
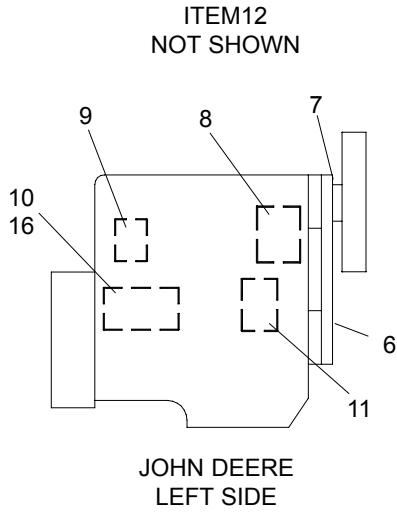


80-0808.dwg/83ptrn1.wmf

Engine, Exhaust Group

Ref. No.	Part No.	Description	Qty. Req.	Ref. No.	Part No.	Description	Qty. Req.
01	L65018	TAIL PIPE (<i>Turbo</i>)	.1	07	L64044	BRACKET (Perkins Engines Only)	.1
02	L120047	CLAMP, 3"	.2		L50705	CAP SCREW M12-1.75X30	.2
03	L64764	HANGER	.1		L50151	PLAIN WASHER 1/2"	.2
04	L64821	MUFFLER (<i>Nat. & Turbo</i>)	.1	08		MANIFOLD EXH. PIPE	.1
05	L60492	CLAMP 3"	.1		L65025	Thru S/N 7953 exc. 7940, 7941	
06	L61021	STRAP	.1		L68544	S/N 7954 & Up, incl. 7940, 7941	
	L50367	CAPSCREW 3/8-16X1	.1	09		CLAMP	.1
	L50145	PLAIN WASHER 3/8	.1		L98726	Thru S/N 7953 exc. 7940, 7941	
	L520005	NYLON INSERT NUT 3/8-16	.1		L99434	S/N 7954 & Up, incl. 7940, 7941	
07	L64572	BRACKET (J.D. Engines Only)	.1	10	L120047	CLAMP 2-1/2"	.1
	L50282	CAP SCREW 1/2-13X1	.2	11	L65199	MANIFOLD EXH. PIPE	.1
		Thru S/N 7953 exc. 7940, 7941		12	L65115	EXHAUST TUBE,	.1
	L50705	CAP SCREW M12-1.75X30	.2		L65115	Thru S/N 7367	
		S/N 7954 & Up, inc. 7940, 7941			L66520	S/N 7368 & Up	
	L50151	PLAIN WASHER 1/2"		13	L60492	CLAMP, 3"	.1
				14	L99946	GASKET	.1
						Perkins 4.0 L, S/N 7368 & Up	

Engine, External Components/Fuel Lines Group
For John Deere & Perkins



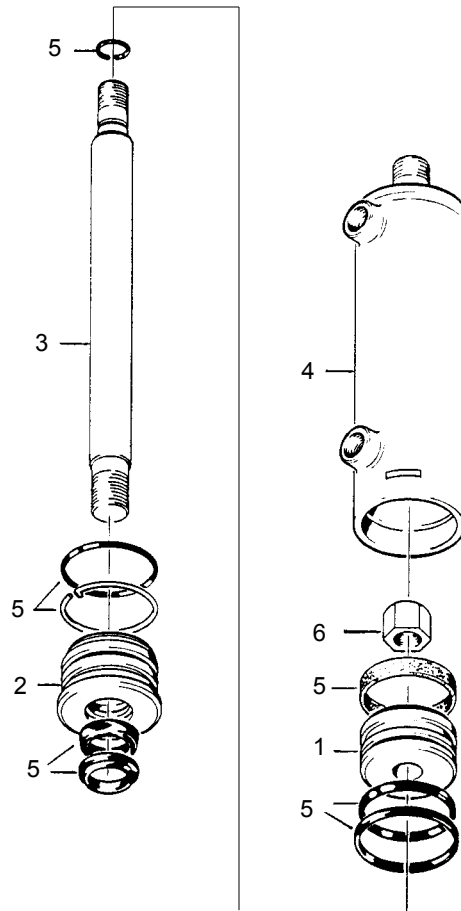
20-0229.dwg/83ptrn2.wmf

Engine, External Components/Fuel Lines Group
For John Deere & Perkins

Ref. No.	Part No.	Description	Qty. Req.	Ref. No.	Part No.	Description	Qty. Req.
01	L442015	MALE 45° ELBOW	1	11	L94746	OIL FILTER (J.D. Only)	1
02	L66118	RETURN HOSE, .25 X 52"	1		L94746	Thru S/N 7953, exc. 7940, 7941	
03	L66157	SUPPLY HOSE, .25 X 70"	1		L99420	S/N 7954 & Up, inc. 7940,7941	
04	L448002	ELBOW 45°, (J.D. Only)	1	11	078849	OIL FILTER (Perkins Only)	1
		Thru S/N 7953, exc. 7940, 7941		12	L65570	BLOCK HEATER (J.D. Only)	1
05	L51827	STR. CONNECTOR (J.D. Only)	1		L65568	BLOCK HEATER (Perkins Only)	1
		Thru S/N 7953, exc. 7940, 7941		13		RT. ENG. MOUNT (J.D. Only)	1
06		FAN BELT	1		L66681	Thru S/N 7953, exc. 7940, 7941	
	L99161	J.D. 4239T			L68554	S/N 7954 & Up, inc. 7940,7941	
	L99161	J.D. 4039T			L50313	CAPSCREW 5/8-11X1-1/2	2
	L68613	J.D. 4045T		13		RT. ENG. MOUNT (Perkins Only)	1
	Note a	PERKINS			L64994	Thru S/N 7367	
07	Note a	WATER PUMP	1		L66545	S/N 7368 & Up	
08	Note a	ALTERNATOR	1	13		LT. ENG. MOUNT (J.D. Only)	1
09		FUEL FILTER (J.D. Only)	1		L64451	Thru S/N 7953, exc. 7940, 7941	
	L98600	Thru S/N 7953, exc. 7940, 7941			L68557	S/N 7954 & Up, inc. 7940,7941	
	L98978	S/N 7954 & Up, inc. 7940,7941			L50313	CAPSCREW 5/8-11X1-1/2	2
09		FUEL FILTER (Perkins Only)	1	13		LT. ENG. MOUNT (Perkins Only)	1
	078850	Thru S/N 7367			L64995	Thru S/N 7367	
	L88976	S/N 7368 & Up			L66544	S/N 7368 & Up	
10	L41179	RELAY (J.D. Only)	1	14	L64124	VIBRATION ISOLATOR	2
	L41770	CLAMP	1		L50383	CAPSCREW 5/8-11X4	2
	L520003	NYLON INSERT NUT 1/4-20	2		L50155	PLAIN WASHER 5/8	2
	L50050	HEX NUT #10-32	1	15	L64197	SPACER	2
	L50136	LOCKWASHER #10-32	2	16		RELAY BRKT. (J.D. Only)	
	L50152	LOCKWASHER 1/2	1		L66020	Thru S/N 7953, exc. 7940, 7941	
	L50072	HEX NUT 1/2-13	1		L68571	S/N 7954 & Up, inc. 7940,7941	
	L50722	HEX NUT M5X.80	1	17	L69166	TUBE, RETURN FUEL LINE	1
				18	L442017	MALE 45° ELBOW	1
				19	L50729	STR. ADAPTER (Perkins Only)	1

a Available Thru Local Eng. Dealer.

Steer Cylinder

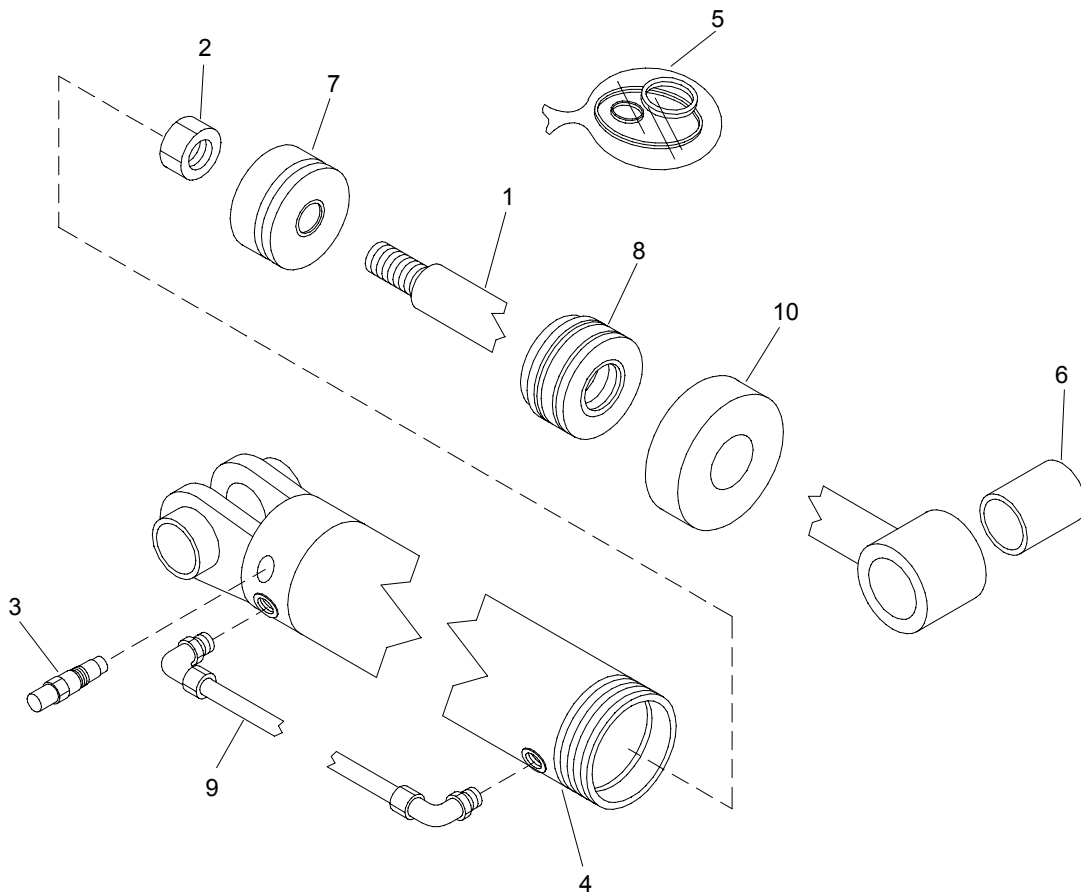


63hyc10.tif

Steer Cylinder

Ref. No.	Part No.	Description	Qty. Req.	Ref. No.	Part No.	Description	Qty. Req.
-		COMPL. LR&RF CYL. ASY.	2	03	L99952	LR & RF ROD, 070SL164-2X	1
	L97649	070SL109-2X Stamped in Cylinder			L99953	RR & LF ROD, 070SL164-1X	1
	L99428	070SL164-2X Stamped in Cylinder		04	NSS	BARREL ASY.	1
-		COMPL. RR&LF CYL. ASY.	2	05		CYL.SEAL KIT	1
	L97976	070SL109-1X Stamped in Cylinder			L97978	070SL109-2X Stamped in Cylinder	
	L99432	070SL164-1X Stamped in Cylinder			L97978	070SL109-1X Stamped in Cylinder	
01	NSS	PISTON	1		L99430	070BP164-2X Stamped in Cylinder	
02	NSS	END GLAND	1		L99430	070BP164-1X Stamped in Cylinder	
03	L97706	LR&RF ROD, 070SL109-2X	1	06	080319	LOCKNUT	1
	L97977	RR&LF ROD, 070SL109-1X	1				

L64818 Frame Level Cylinder
(S/N 7001-7004, 7012, 7347, 7348, 7446 & Up)

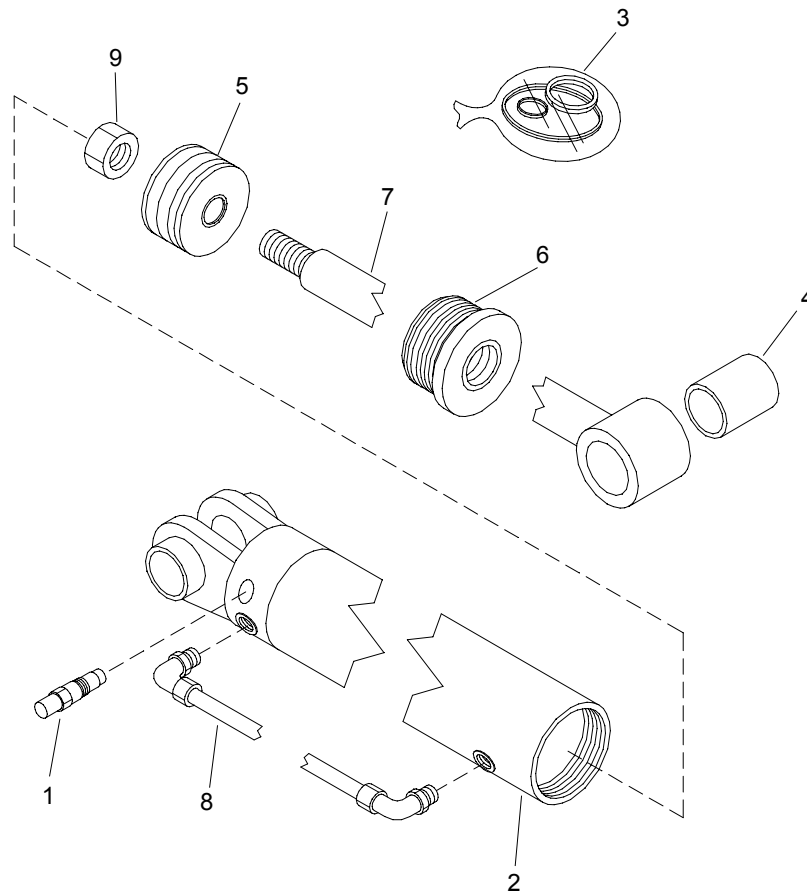


83-0814.dwg/83hyc1.wmf

L64818 Frame Level Cylinder
(S/N 7001-7004, 7012, 7347, 7348, 7446 & Up)

Ref. No.	Part No.	Description	Qty. Req.	Ref. No.	Part No.	Description	Qty. Req.
-a	L64818	COMPLETE ASY.	1	06	L64817	ALUM./BRZ. BEARING 2.0 X 2.25 X 3.0	1
01	L97676	ROD	1	07	L97820	PISTON	1
02	L99405	LOCKNUT	1	08	L97821	END GLAND	1
03	L64175	COUNTERBAL.VALVE	1	09	L99080	OIL LINE TUBE	1
	L97889	CB SEAL KIT	1	10	L99220	HEAD GLAND CAP	1
	L99398	CAP	1				
04	NSS	TUBE WLDMT.	1				
05	L99382	CYLINDER SEAL KIT	1	a		<i>Part Number Stamped on Cylinder Tube.</i>	

L64085 Frame Level Cylinder
(S/N 7005-7445 Except 7012, 7347, 7348)

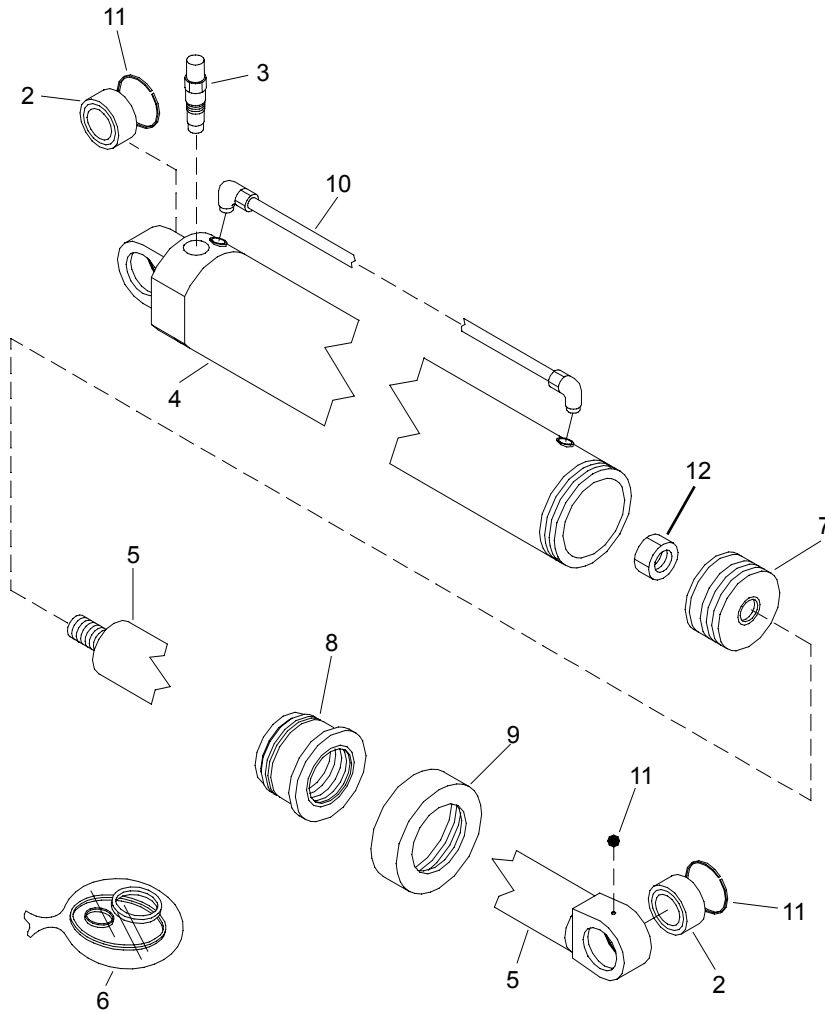


84-0815.dwg/83hyc2.wmf

L64085 Frame Level Cylinder
(S/N 7005-7445 Except 7012, 7347, 7348)

Ref. No.	Part No.	Description	Qty. Req.	Ref. No.	Part No.	Description	Qty. Req.
-a	L64085	COMPL. ASY.	1	05	L97904	PISTON	1
01	L64175	COUNTERBAL.VALVE	2	06	L97905	END GLAND	1
	L99398	CAP	1	07	L97906	ROD WELDMT.	1
	L97889	CB SEAL KIT	1	08	L98117	HYD.OIL LINE TUBE	1
02	NSS	TUBE WLDMT.	1	09	L99405	LOCKNUT 1-1/4-12	1
03	L97903	CYLINDER SEAL KIT	1				
04	L64817	BUSHING, 2.0 X 2.25 X 3.0	1	a		<i>Part Number Stamped on Cylinder Tube.</i>	

L64401 Boom Lift Cylinder
(S/N 7001-7004)

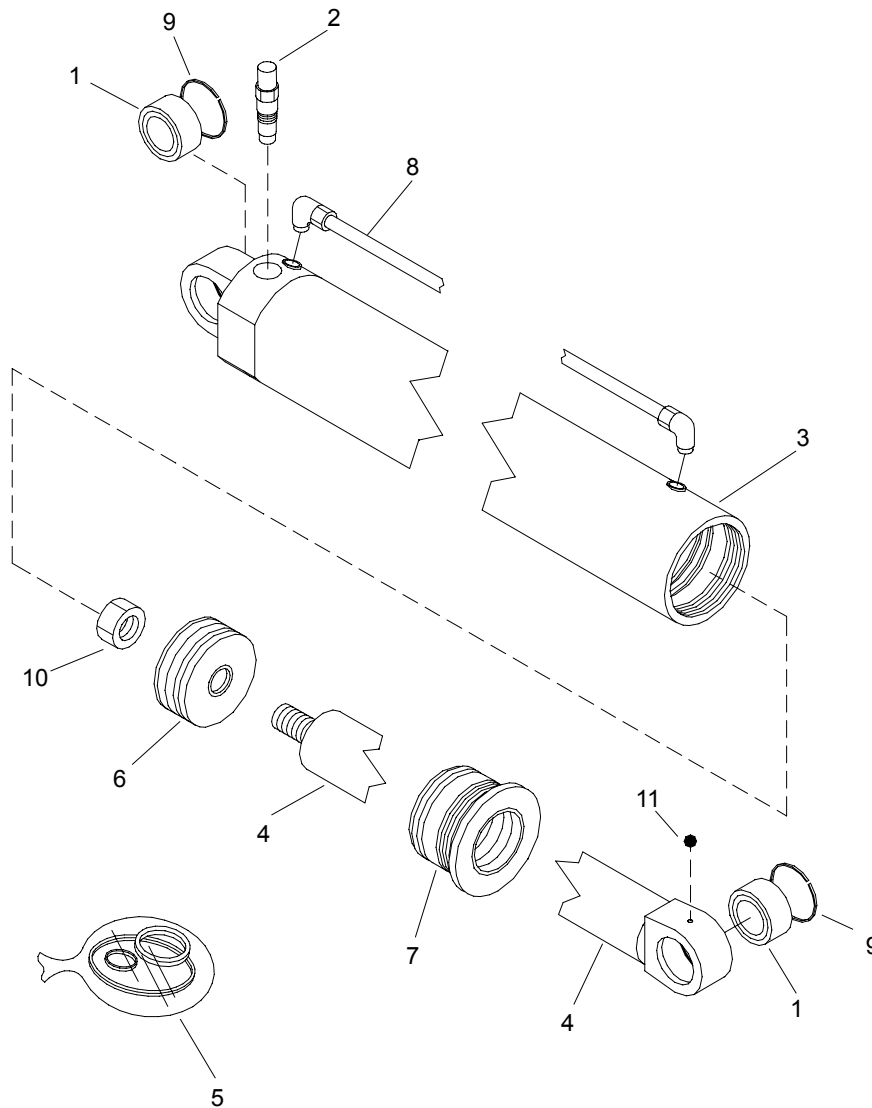


779-58.dwg/83hyc3.wmf

L64401 Boom Lift Cylinder
(S/N 7001-7004)

Ref. No.	Part No.	Description	Qty. Req.	Ref. No.	Part No.	Description	Qty. Req.
.a	L64401	COMPL. ASY (<i>Less Item 1</i>)	1	07	L97886	PISTON	1
01	L10057	GREASE. ZERK (<i>Rod End</i>)	1	08	L97887	END GLAND	1
02	L64886	SPHERICAL BUSHING 1.5 ID	2	09	L97888	GLAND CAP	1
03	L48868A	COUNTERBAL.VALVE	1	10	L98119	HYD.OIL LINE TUBE	1
	L65272	CAP		11	L97885	RETAINER RING	2
	L96838	CB SEAL KIT	1		L10465	GREASE. ZERK (<i>Butt End</i>)	1
04	NSS	TUBE WELDMENT	1	12	L99122	LOCKNUT 1-3/4-12	1
05	L97712	ROD WELDMENT	1				
06	L97711	CYLINDER SEAL KIT	1	a		<i>Part Number Stamped On Cylinder Tube.</i>	

L64083 Boom Lift Cylinder
(S/N 7005-7445)

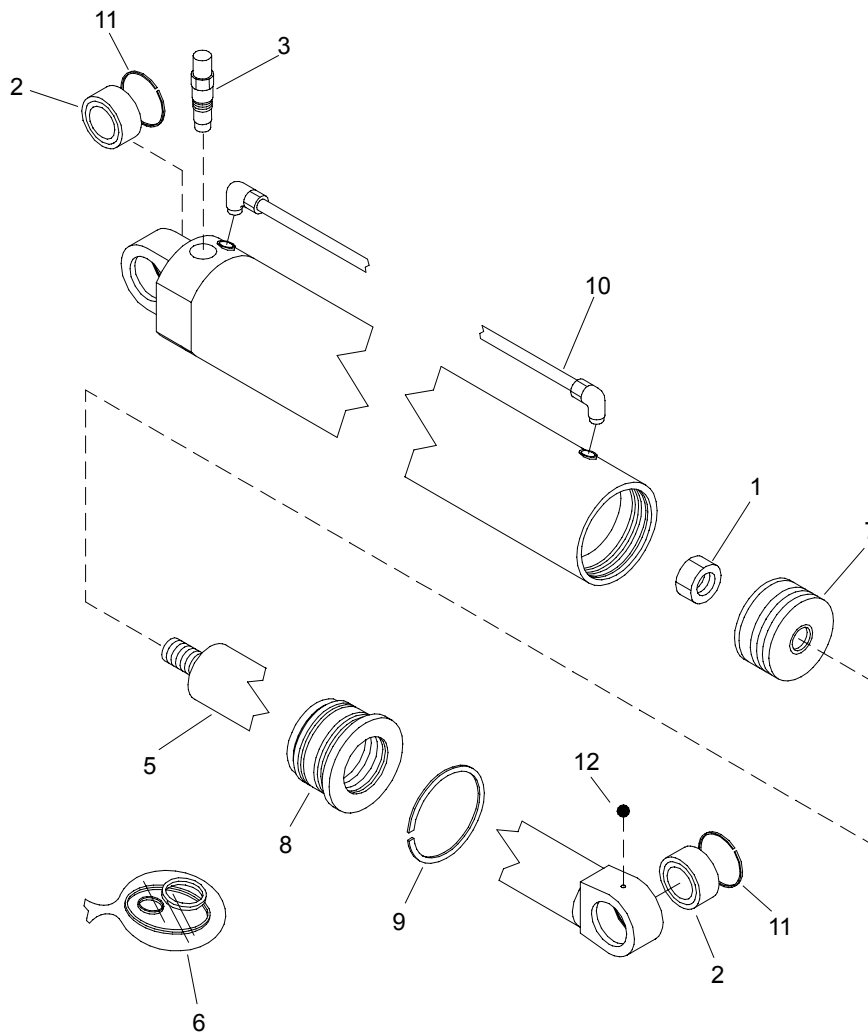


85-0816.dwg/83hyc4.wmf

L64083 Boom Lift Cylinder
(S/N 7005-7445)

Ref. No.	Part No.	Description	Qty. Req.	Ref. No.	Part No.	Description	Qty. Req.
-a	L64083	COMPL.. ASY. (<i>Less 11</i>)	1	07	L97910	END GLAND	1
01	L97884	SPHERICAL BUSHING 1.5 ID	2	08	L97911	HYD. TUBE LINE	1
02	L48868A	COUNTERBAL. VALVE	1	09	L97885	RETAINER RING	2
	L65272	CAP	1	10	L99214	LOCKNUT 1-1/2-12	1
	L96838	CB SEAL KIT	1	11	L10057	GREASE. ZERK (Rod End)	1
03	NSS	TUBE WLDMT.	1		L10465	GREASE. ZERK (Butt End)	1
04	L97907	ROD WLDMT.	1				
05	L97908	CYL. SEAL KIT	1	a		<i>P/N Stamped on Cylinder Tube.</i>	
06	L97909	PISTON	1				

L66821 Boom Lift Cylinder
(S/N 7446 & Up)

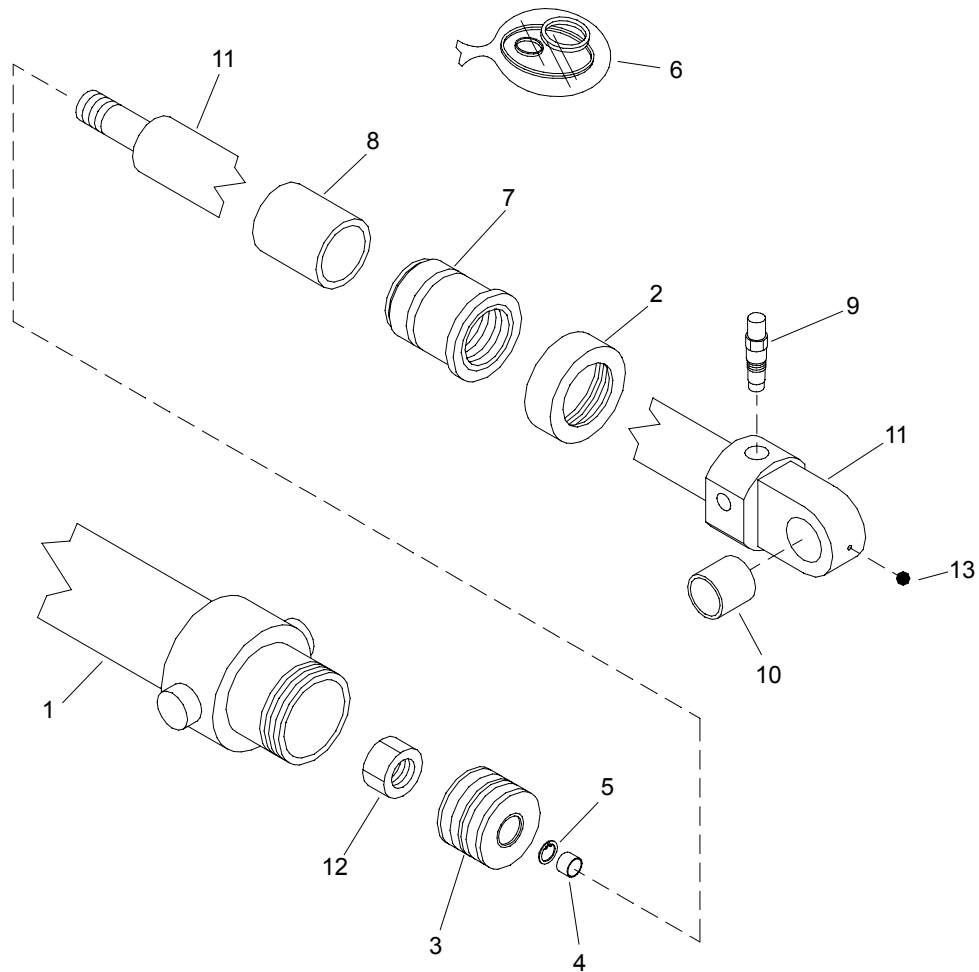


800-50.dwg/83hyc5.wmf

L66821 Boom Lift Cylinder
(S/N 7446 & Up)

Ref. No.	Part No.	Description	Qty. Req.	Ref. No.	Part No.	Description	Qty. Req.
-a	L66821	COMPL. ASY. (Less 12)	1	07	L97886	PISTON	1
01	L99122	LOCKNUT 1-3/4-12	1	08	L99120	END GLAND	1
02	L64886	SPHERICAL BUSHING 1.5 ID	2	09	L99123	LOCKING INSERT	1
03	L48868A	COUNTERBAL. VALVE	1	10	L99121	HYD. OIL LINE TUBE	1
	L96838	CB SEAL KIT	1	11	L97885	RETAINER RING	2
	L65272	CAP	1	12	L10057	GREASE. ZERK (Rod End)	1
04	NSS	TUBE WLDMT.	1		L10465	GREASE. ZERK (Butt End)	1
05	L97712	ROD WLDMT.	1				
06	L99329	CYLINDER SEAL KIT	1	a		Part Number Stamped on Cylinder Tube.	

L64385 Boom Extend Cylinder
(S/N 7001-7004)

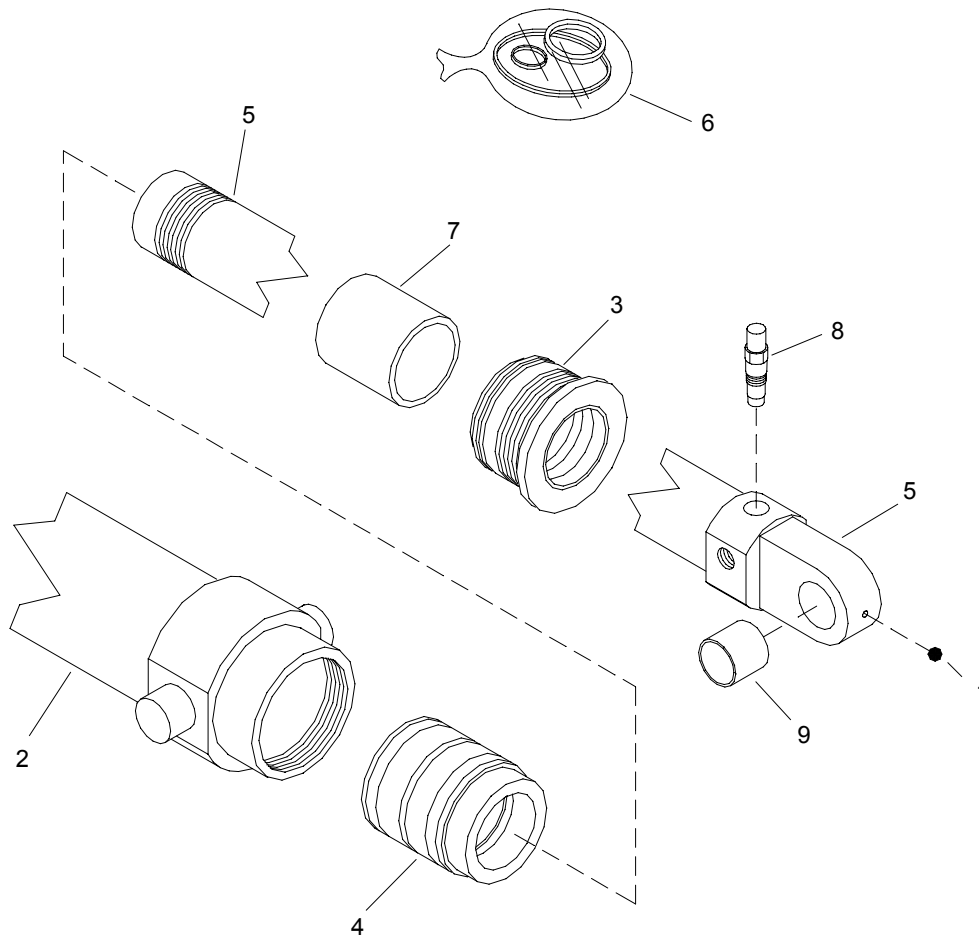


33-0260.dwg/83hyc6.wmf

L64385 Boom Extend Cylinder (S/N 7001-7004)

Ref. No.	Part No.	Description	Qty. Req.	Ref. No.	Part No.	Description	Qty. Req.
a	L64385	COMPL. ASY (<i>Less 13</i>)	1	09	L48868A	COUNTERBAL. VALVE	1
01	NSS	TUBE WELDMENT	1		L65272	CAP	1
02	L97888	GLAND CAP	1		L96838	CB SEAL KIT	1
03	L97891	PISTON	1	10	L64367	BRONZE BUSHING	1
04	L97892	HYD. TUBE LINE SPACER	1	11	L97714	RAM TUBE WELDMENT	1
05	L97682	SNAP RING	1	12	L99215	LOCKNUT 1-1/2-12	1
06	L97713	CYLINDER SEAL KIT	1	13	L10465	GREASE ZERK (<i>ROD END</i>)	1
07	L97894	END GLAND	1				
08	L97895	SPACER	1	a	<i>Part Number Stamped on Cylinder Tube.</i>		

L64084 Boom Extend Cylinder
(S/N 7005-7445)

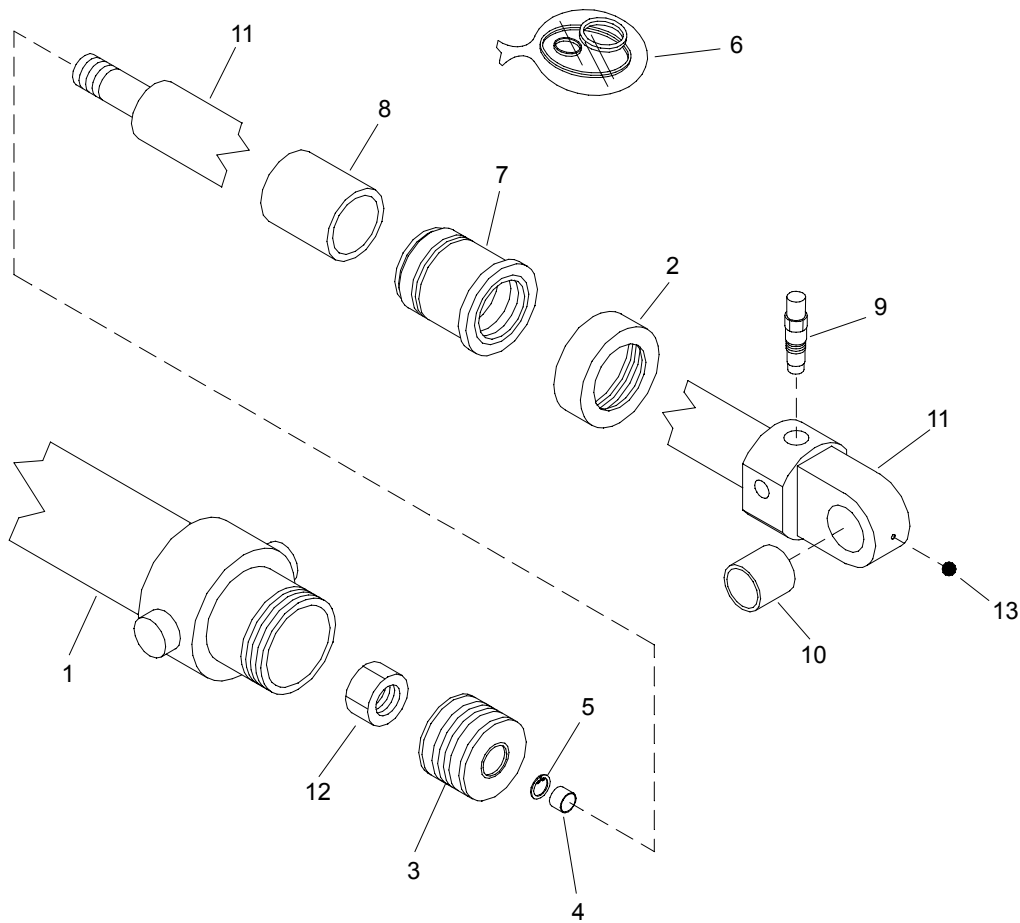


86-0871.dwg/83hyc7.wmf

L64084 Boom Extend Cylinder
(S/N 7004-7445)

Ref. No.	Part No.	Description	Qty. Req.	Ref. No.	Part No.	Description	Qty. Req.
-a	L64084	COMPL. ASY (<i>Less 1</i>)	1	07	L97916	STROKE BLOCK	1
01	L10465	GREASE.ZERK (<i>ROD END</i>)	1	08	L48868A	COUNTERBAL. VALVE	1
02	NSS	TUBE WELDMENT	1		L65272	CAP	1
03	L97910	END GLAND	1		L96838	CB SEAL KIT	1
04	L97913	PISTON	1	09	L64367	BRONZE BUSHING	1
05	L97914	SHAFT WELDMENT	1				
06	L97915	CYLINDER SEAL KIT	1	a		<i>Part Number Stamped on Cyl. Tube.</i>	

L66770 Boom Extend Cylinder
(S/N 7446 & Up)

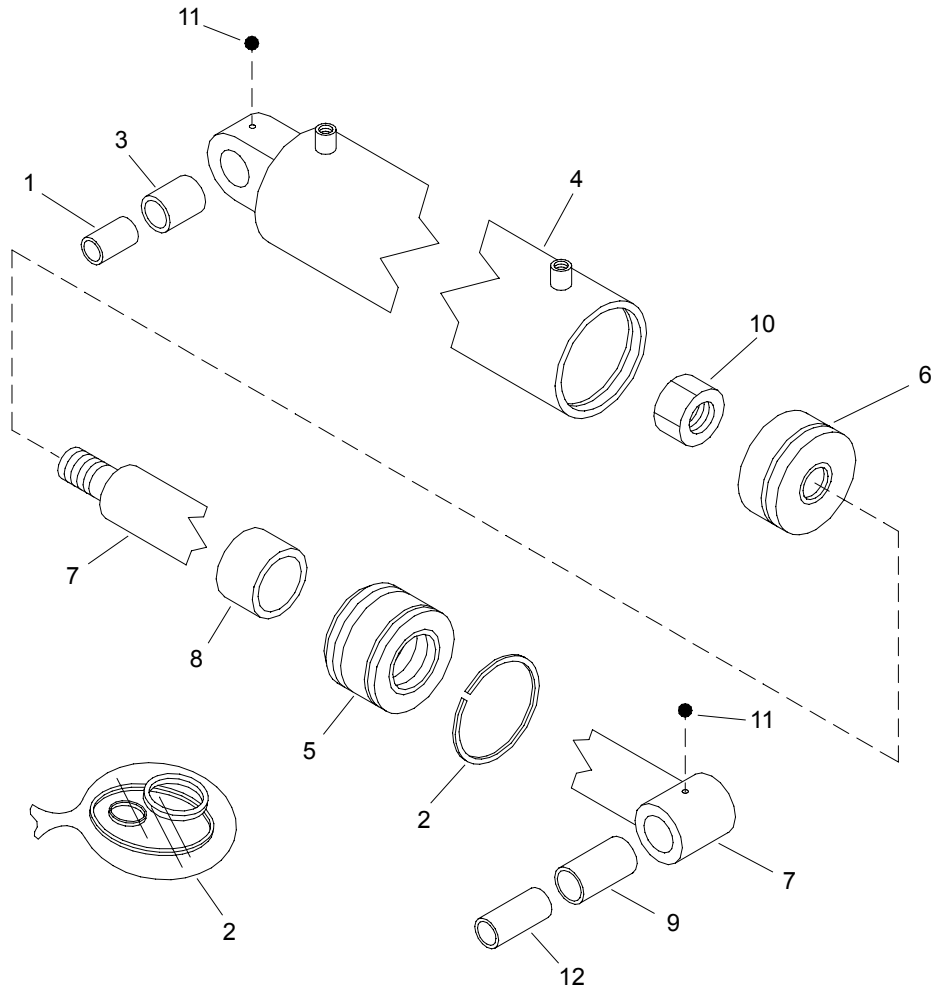


743-02.dwg/83hyc8.wmf

L66770 Boom Extend Cylinder
(S/N 7446 & Up)

Ref. No.	Part No.	Description	Qty. Req.	Ref. No.	Part No.	Description	Qty. Req.
a	L66770	COMPL. ASY (<i>Less 13</i>)	1	09	L48868A	COUNTERBAL. VALVE	1
01	NSS	TUBE WELDMENT	1		L65272	CAP	1
02	L99056	GLAND CAP	1		L96838	CB SEAL KIT	1
03	L99054	PISTON	1	10	L64367	BUSHING	1
04	L99052	HYD. TUBE LINE SPACER	1	11	L99057	ROD WELDMENT	1
05	L99051	RETAINING RING	1	12	L99406	LOCKNUT 2-12 UN	1
06	L99376	CYLINDER SEAL KIT	1	13	L10057	GREASE ZERK	1
07	L99053	HEAD GLAND	1				
08	L99055	ROD SPACER	1	a	<i>Part Number Stamped on Cylinder Tube.</i>		

L64087 Boom Slave Cylinder
(w/1-1/4" Pins, S/N 7001-7004)

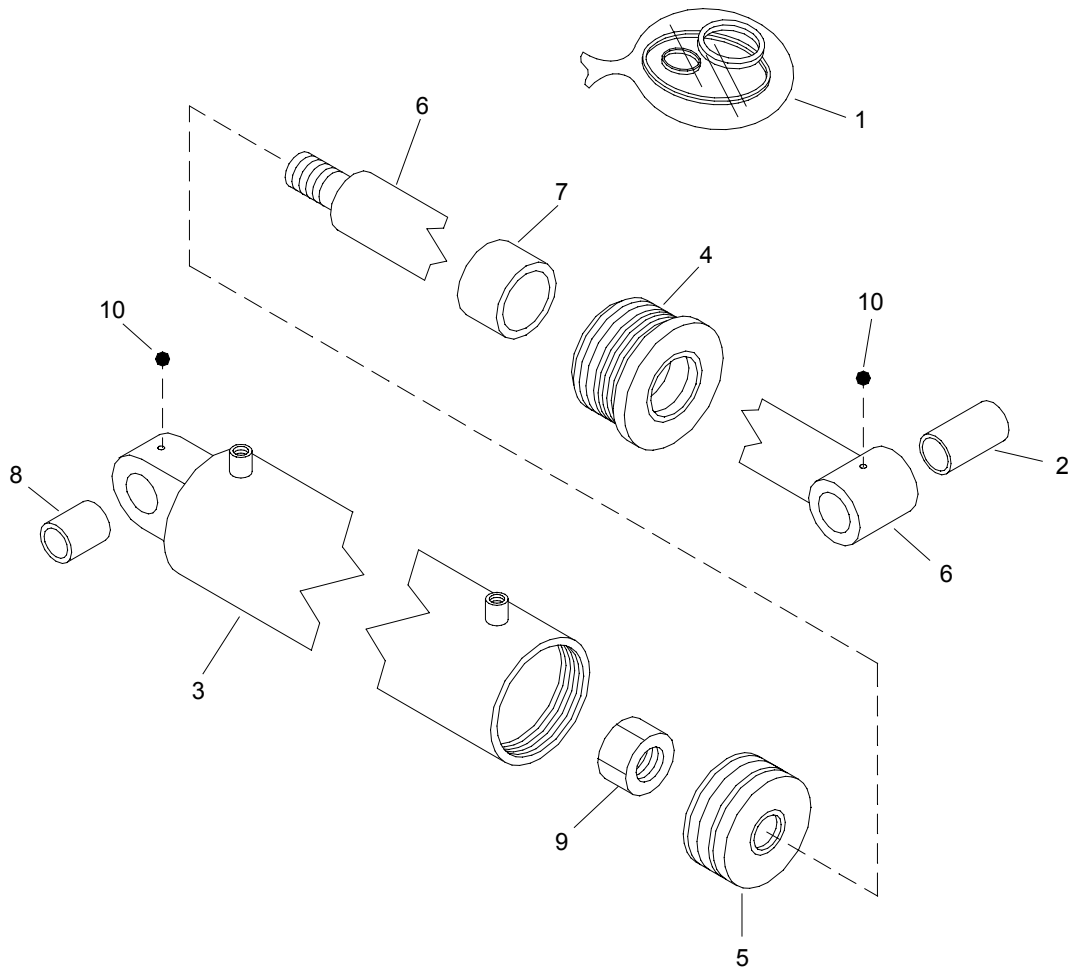


34-0261.dwg/83hyc8.wmf

L64087 Boom Slave Cylinder
(w/1-1/4" Pins, S/N 7001-7004)

Ref. No.	Part No.	Description	Qty. Req.	Ref. No.	Part No.	Description	Qty. Req.
a	L64087	COMPLETE ASY. (Less 11)	2	09	L48806	BUSHING	1
01 ^b	L98562	BUSHING (For 1-1/4" Pin)	1	10	L99405	LOCKNUT 1-1/4-12	1
02	L97715	CYL. SEAL KIT	1	11	L10057	GREASE ZERK	2
03	L61866	ALUM. /BRZ. BUSHING	1	12 ^b	L98563	BUSHING (For 1-1/4" Pin)	1
04	NSS	TUBE WELDMENT	1				
05	L97893	END GLAND	1	a	<i>Part Number. Stamped on Cylinder Tube.</i>		
06	L97806	PISTON	1	b	<i>Bushings Used When Boom Mount & Frame Mounts Have 1-1/4" Dia. Pin Holes.</i>		
07	L97897	ROD WLDMT.	1				
08	L97898	SPACER	1				

L64087 Boom Slave Cylinder
(w/1-1/4" Pins, S/N 7005-7171)



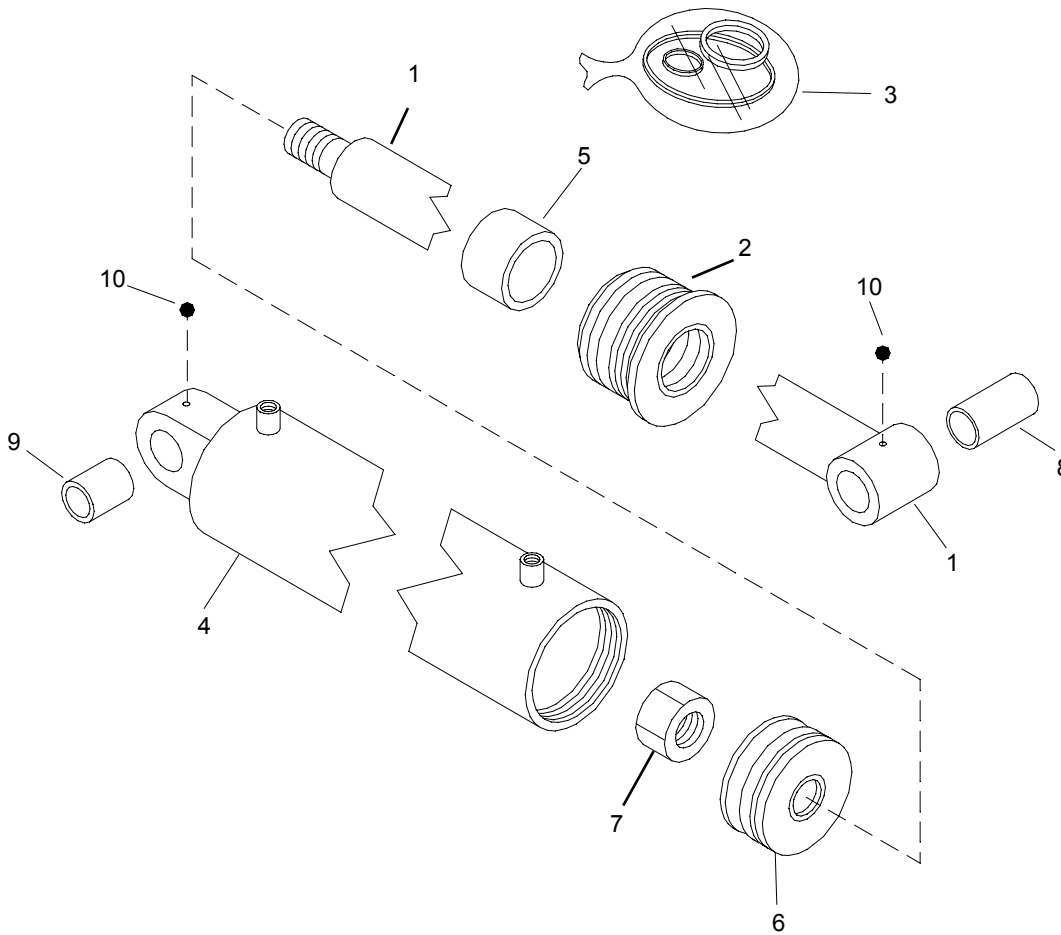
87-0818.dwg/83hyc10.wmf

L64087 Boom Slave Cylinder
(w/1-1/4" Pins, S/N 7005-7171)

Ref. No.	Part No.	Description	Qty. Req.	Ref. No.	Part No.	Description	Qty. Req.
-a	L64087	COMPLETE ASY. <i>(Less 10)</i>	2	06	L97920	ROD WLDMT.	1
01	L97917	CYLINDER SEAL KIT	1	07	L97921	STROKE BLOCK	1
02	L48806	BUSHING <i>(ROD END)</i>	1	08	L61866	BUSHING <i>(BUTT END)</i>	1
03	NSS	TUBE WELDMENT	1	09	L99405	LOCKNUT 1-1/4-12	1
04	L97918	END GLAND	1	10	L10057	GREASE ZERK	2
05	L97919	PISTON	1				

a Refer To Part Number Stamped on Cyl. Tube.

L66032 Boom Slave Cylinder
(w/1-1/2" Pins, S/N 7172-7444)

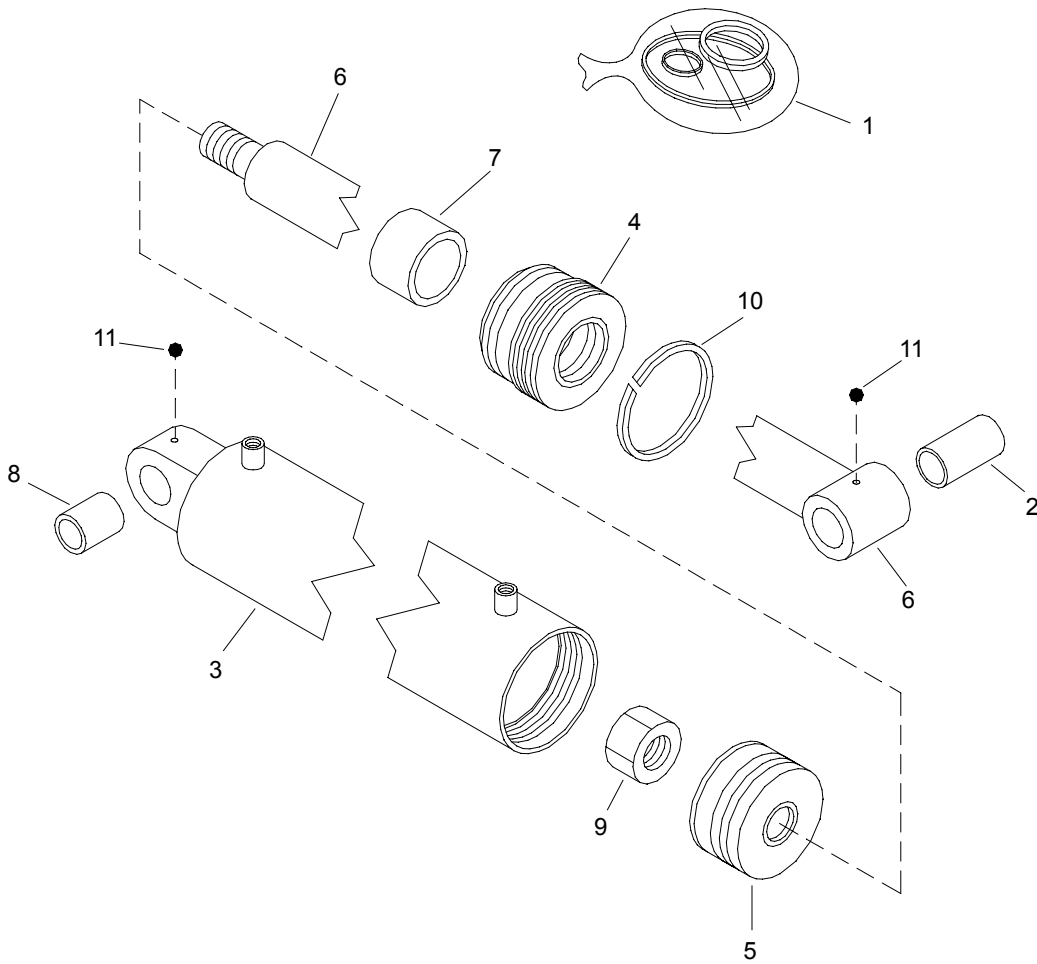


739-50.dwg/83hyc11.wmf

L66032 Boom Slave Cylinder
(w/1-1/2" Pins, S/N 7172-7444)

Ref. No.	Part No.	Description	Qty. Req.	Ref. No.	Part No.	Description	Qty. Req.
a	L66032	COMPLETE ASY. (<i>Less 10</i>)	1	07	L99405	LOCKNUT 1.25-12UNF	1
01	L98628	ROD WELDMENT	1	08	L63018	ROD END BUSHING	1
02	L97918	END GLAND	1	09	L68003	BUTT END BUSHING	1
03	L97917	SEAL KIT	1	10	L10057	GREASE ZERK	2
04	NSS	TUBE WELDMENT	1				
05	L98592	STROKE BLOCK	1	a	<i>Part Number Stamped on Cylinder Tube.</i>		
06	L97919	PISTON	1				

L66666 Boom Slave Cylinder
(w/1-1/2" Pins, S/N 7445 & Up)



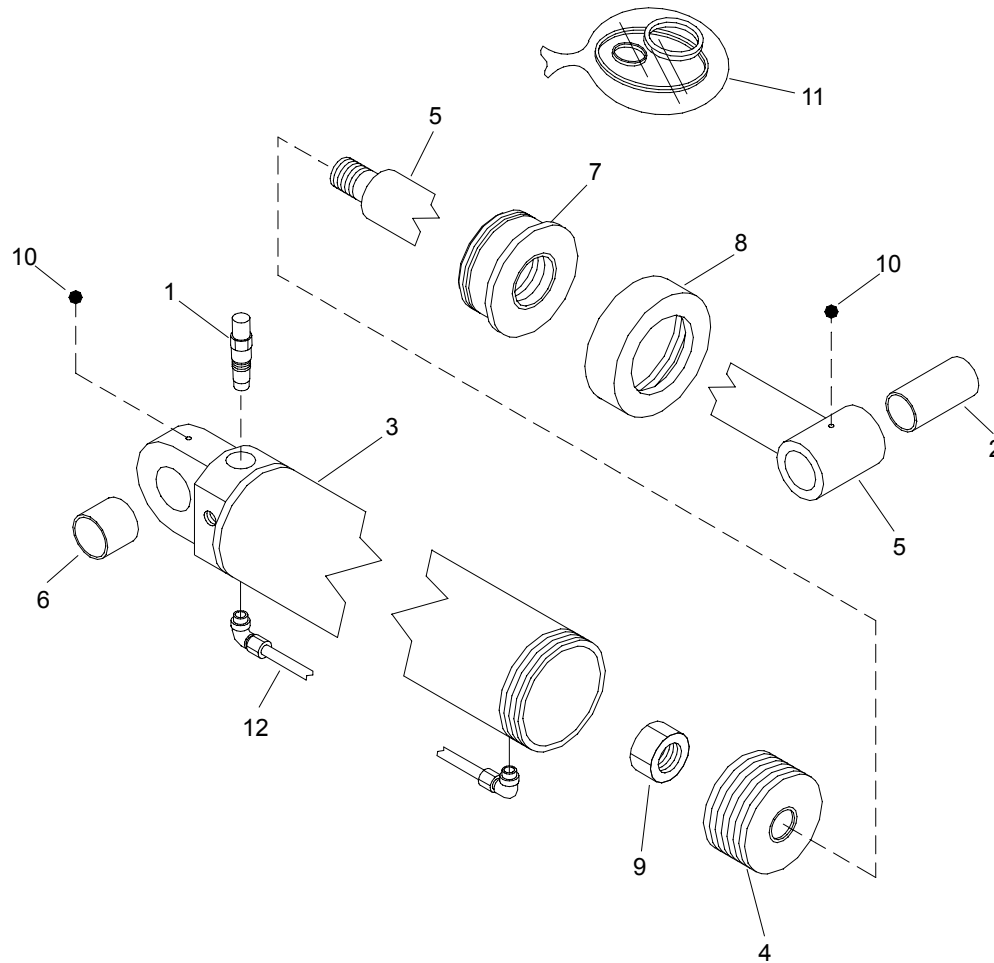
740-50.dwg/83hyc12.wmf

L66666 Boom Slave Cylinder

(w/1-1/2" Pins, S/N 7445 & Up)

Ref. No.	Part No.	Description	Qty. Req.	Ref. No.	Part No.	Description	Qty. Req.
a	L66666	COMPLETE ASY. (Less 11)	1	07	L98984	STROKE BLOCK	1
01	L99330	SEAL KIT	1	08	L63017	BUTT END BUSHING	1
02	L63018	ROD END BUSHING	1	09	L99214	LOCKNUT 1.5-12UNF	1
03	NSS	TUBE WELDMENT	1	10	L99073	LOCKING INSERT	1
04	L98981	END GLAND	1	11	L10057	GREASE ZERK	2
05	L98982	PISTON	1				
06	L98983	ROD WELDMENT	1	a	Refer to Part Number Stamped on Cyl. Tube.		

L49988A Attachment Tilt Cylinder
(S/N 7001-7004)



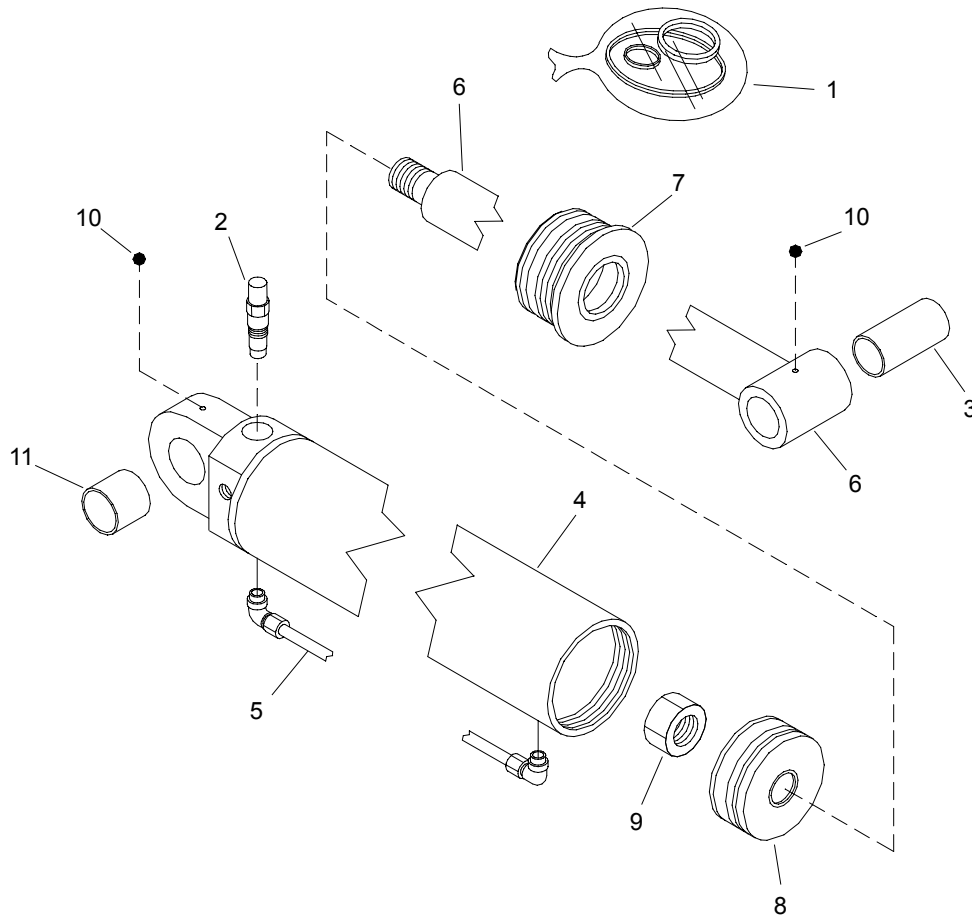
88-0819.dwg/83hyc13.wmf

L49988A Attachment Tilt Cylinder
(S/N 7001-7004)

Ref. No.	Part No.	Description	Qty. Req.	Ref. No.	Part No.	Description	Qty. Req.
a	L49988A	COMPLETE ASY. (<i>Less 10</i>)	.1	06	L49999	BUSHING	.1
01	L48868A	COUNTERBAL. VALVE	.1	07	L97901	END GLAND	.1
	L65272	CAP	.1	08	L97902	GLAND CAP	.1
	L96838	CB SEAL KIT	.1	09	L99405	LOCKNUT 1-1/4-12	.1
02	L60392	BUSHING	.1	10	L10057	GREASE ZERK	.2
03	NSS	TUBE WELDMENT	.1	11	L97716	CYL. SEAL KIT	.1
04	L97899	PISTON	.1	12	L97900	HYD. OIL LINE TUBE	.1
05	L97717	ROD WELDMENT	.1				

a Part Number Stamped on Cylinder Tube.

L64086 Attachment Tilt Cylinder
(S/N 7005-7444)

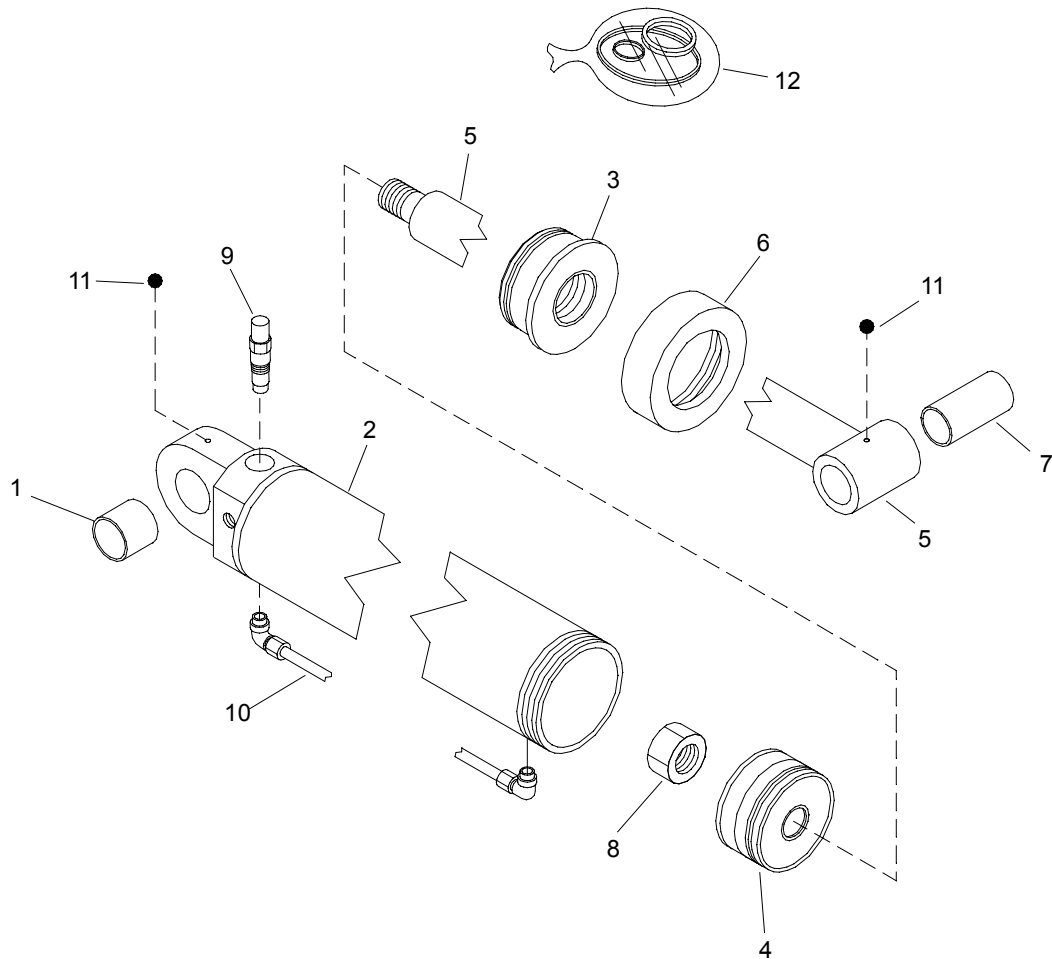


89-0820.dwg/83hyc14.wmf

L64086 Attachment Tilt Cylinder
(S/N 7005-7444)

Ref. No.	Part No.	Description	Qty. Req.	Ref. No.	Part No.	Description	Qty. Req.
a	L64086	COMPLETE ASY. (<i>Less 11</i>)	1	06	L97925	ROD WELDMENT	1
01	L97922	CYLINDER SEAL KIT	1	07	L97926	END GLAND	1
02	L48868A	COUNTERBAL. VALVE	1	08	L97924	PISTON	1
	L96838	CB SEAL KIT	1	09		LOCKNUT 1-1/2-12	1
03	L60392	BUSHING (<i>ROD END</i>)	1	10	L10057	GREASE ZERK	2
04	NSS	TUBE WELDMENT	1	11	L49999	BUSHING, BUTT END	1
05	L97923	OIL LINE TUBE	1				
				a	<i>Part Number Stamped on Cylinder Tube.</i>		

L66665 Attachment Tilt Cylinder
(S/N 7445 & Up)

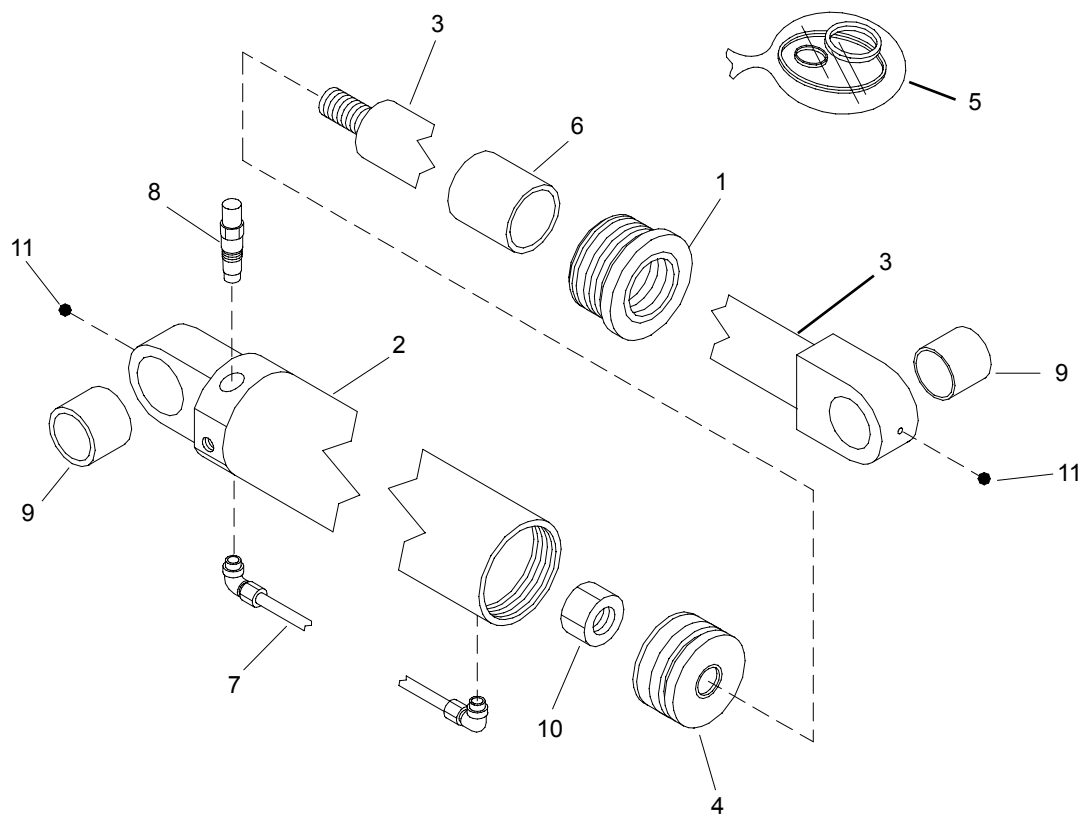


738-50.dwg/83hyc15.wmf

L66665 Attachment Tilt Cylinder
(S/N 7445 & Up)

Ref. No.	Part No.	Description	Qty. Req.	Ref. No.	Part No.	Description	Qty. Req.
a	L66665	COMPLETE ASY. (<i>Less 11</i>)	1	08	L99122	LOCKNUT 1.75-12 UN	1
01	L49999	BUTT END BUSHING	1	09	L48868A	COUNTERBAL. VALVE	1
02	NSS	TUBE WELDMENT	1		L65272	CAP	1
03	L98989	END GLAND	1		L96838	CB SEAL KIT	1
04	L98990	PISTON	1	10	L98988	HYD. OIL LINE TUBE	1
05	L98991	ROD WELDMENT	1	11	L10057	GREASE ZERK	2
06	L98992	GLAND CAP	1	12	L99377	CYLINDER SEAL KIT	1
07	L60392	BUSHING	1				
				a	<i>Part Number Stamped on Cylinder Tube.</i>		

L64968 Outrigger Cylinder
(Thru S/N 7386)

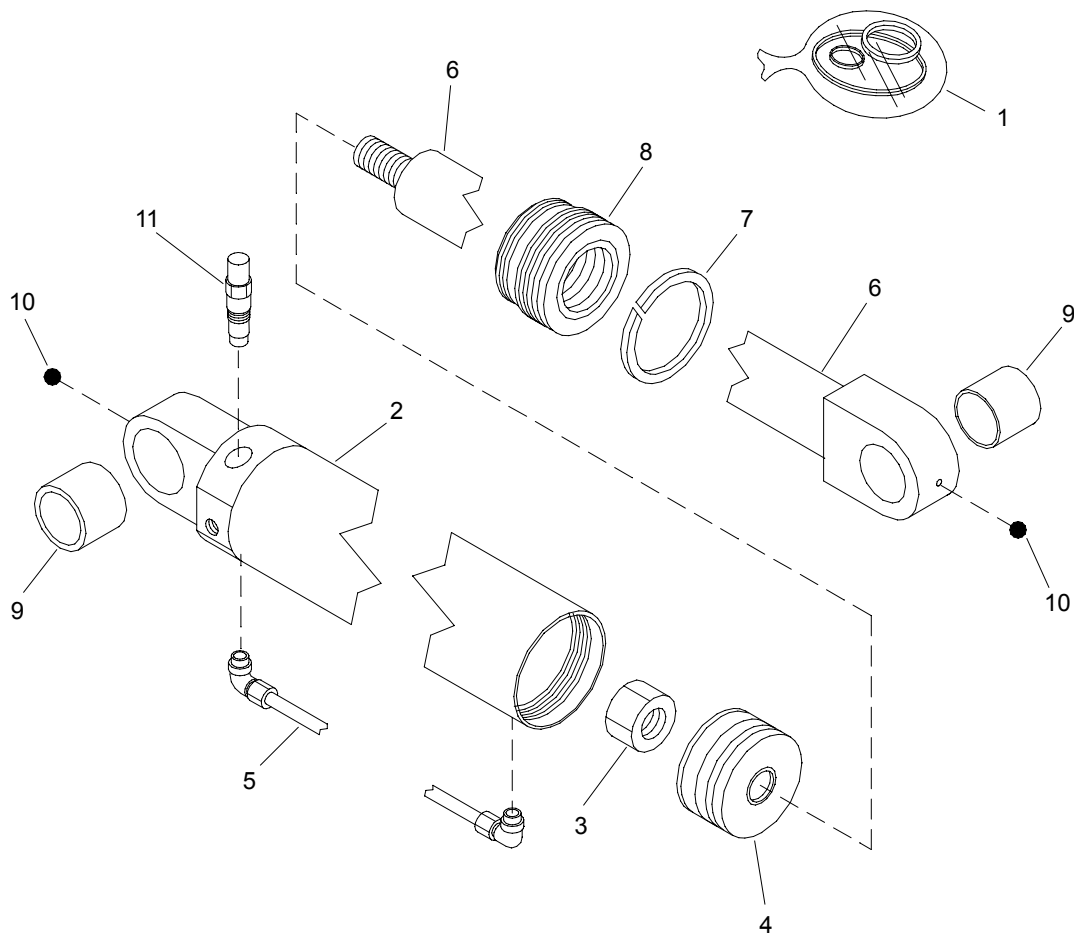


148-1718.dwg/83hyc16.wmf

L64968 Outrigger Cylinder (Thru S/N 7386)

Ref. No.	Part No.	Description	Qty. Req.	Ref. No.	Part No.	Description	Qty. Req.
-a	L64968	COMPLETE ASY. (Less 11)	1	08	L64969	CHECK VALVE	1
01	L97935	END GLAND	1		L65272	CAP	1
02	NSS	TUBE WELDMENT	1		L97889	CV SEAL KIT	1
03	L97936	ROD	1	09	L64367	BUSHING	2
04	L97937	PISTON	1	10	L99405	LOCKNUT 1-1/4-12 NF	1
05	L97938	CYLINDER SEAL KIT	1	11	L10057	GREASE ZERK	2
06	L97939	STROKE BLOCK	1				
07	L97940	OIL TUBE LINE 1/2"	1	a		Part Number Stamped on Cylinder Tube.	

L66642 Outrigger Cylinder
(S/N 7387 & Up)

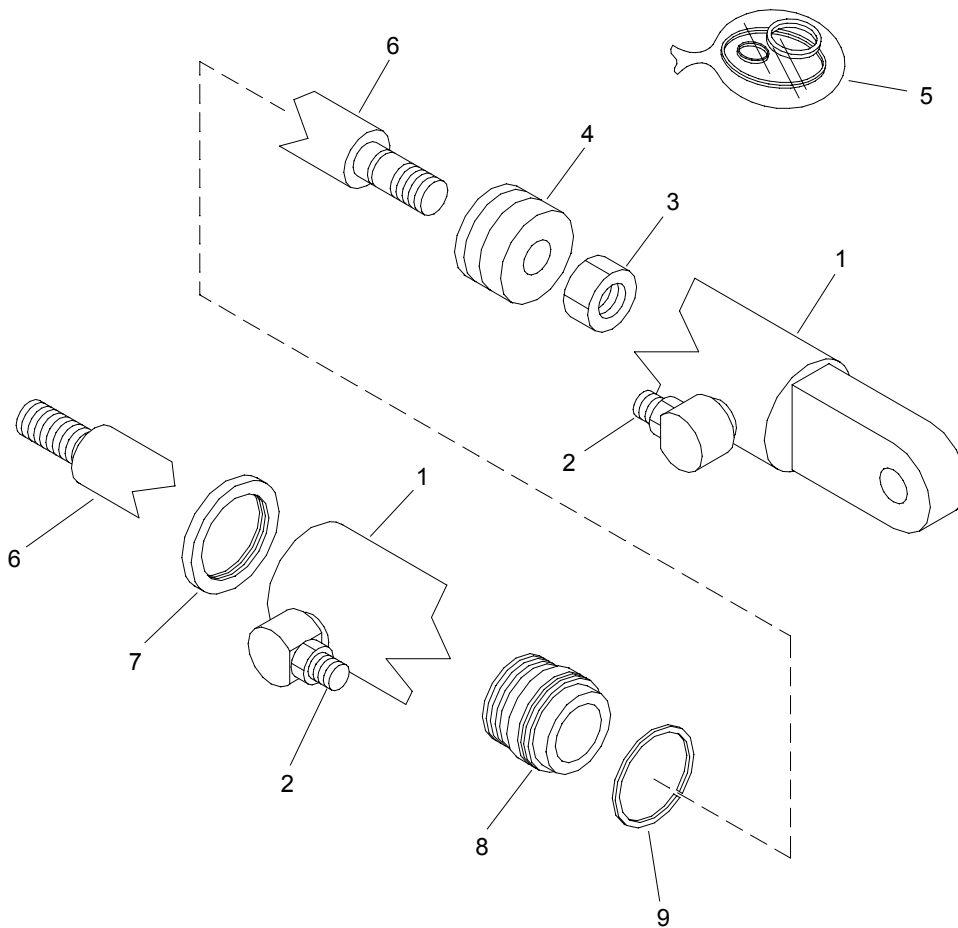


737-17.dwg/83hyc17.wmf

L66642 Outrigger Cylinder (S/N 7387 & Up)

Ref. No.	Part No.	Description	Qty. Req.	Ref. No.	Part No.	Description	Qty. Req.
-a	L66642	COMPLETE ASY. (<i>Less 10</i>)	1	08	L99064	HEAD GLAND	1
01	L99059	CYLINDER SEAL KIT	1	09	L64367	BUSHING	1
02	NSS	TUBE WELDMENT	1	10	L10057	GREASE ZERK	2
03	L99405	LOCKNUT 1-1/4-12 UN	1	11	L64969	CHECK VALVE	2
04	L99060	PISTON	1		L65272	CAP	1
05	L99061	OIL LINE TUBE	1		L97889	CV SEAL KIT	1
06	L99062	ROD WELDMENT	1				
07	L99063	LOCKING INSERT	2	a		<i>Part Number Stamped on Cylinder Tube.</i>	

L66920 Fork Shift Cylinder

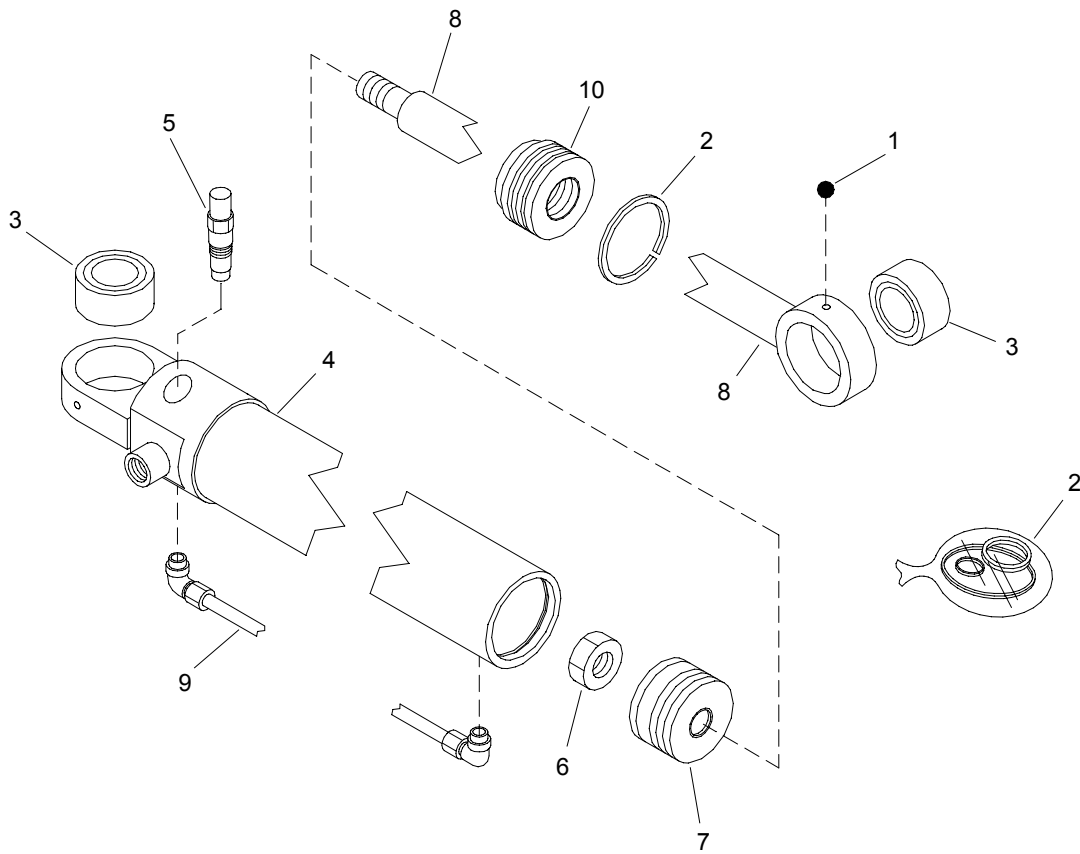


143-1713.dwg/83hyc18.wmf

L66920 Fork Shift Cylinder

Ref. No.	Part No.	Description	Qty. Req.	Ref. No.	Part No.	Description	Qty. Req.
a	L66920	COMPLETE ASY.	1	06	L500325	ROD	1
01	NSS	TUBE	1	07	L500326	SPANNER NUT	1
02	L500321	FLARE FTG (3/8TUBE/9/16-18) ...	2	08	L500327	GUIDE	1
03	L500322	LOCK NUT 3/4-16	1	09	L500328	RETAINER RING	1
04	L500323	PISTON	1				
05	L99958	SEAL KIT	1	a	<i>Part Number Stamped on Cylinder Tube.</i>		

L61317 & L70655 Rotate Carriage Cylinder

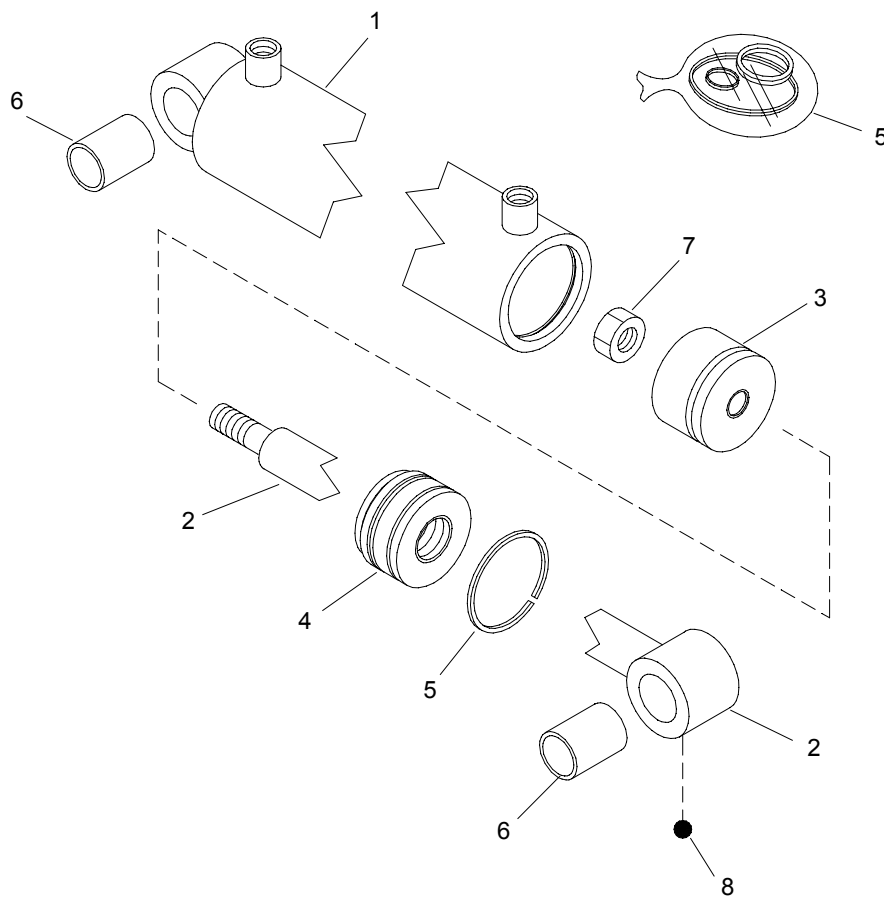


35-0263.dwg/83hyc19.wmf

L61317 & L70655 Rotate Carriage Cylinder

Ref. No.	Part No.	Description	Qty. Req.	Ref. No.	Part No.	Description	Qty. Req.
L61317 Parts List				L70655 Parts List			
a	L61317	COMPLETE ASY. (Less 1)	1	a	L70655	COMPLETE ASY. (Less 1)	1
01	L10057	GREASE ZERK	2	01	L10057	GREASE ZERK	2
02	L97769	CYLINDER SEAL KIT	1	02	L500240	CYLINDER SEAL KIT	1
03	L64122	UNIBALL BEARING	2	03	L64122	UNIBALL BEARING	2
04	NSS	TUBE WELDMENT.	1	04	NSS	TUBE WELDMENT	1
05	L64175	COUNTERBAL. VALVE	1	05	L82450	COUNTERBAL. VALVE	1
	L99398	CAP	1		L99398	CAP	1
	.L97889	CB SEAL KIT	1		.L97889	CB SEAL KIT	1
06	080313	JAM NUT 1-14	1	06	080313	JAM NUT 1-14 UNS	1
07	L97839	PISTON	1	07	L97839	PISTON	1
08	L97768	ROD WELDMENT.	1	08	L500242	ROD WELDMENT	1
09	L97767	OIL LINE TUBE	1	09	L500241	OIL LINE TUBE	1
10	L99074	END GLAND	1	10	L99074	END GLAND	1
a	<i>Part Number Stamped on Cylinder Tube.</i>			a	<i>Part Number Stamped on Cylinder Tube.</i>		

L65659 Swing Carriage Cylinder
Thru S/N 2780

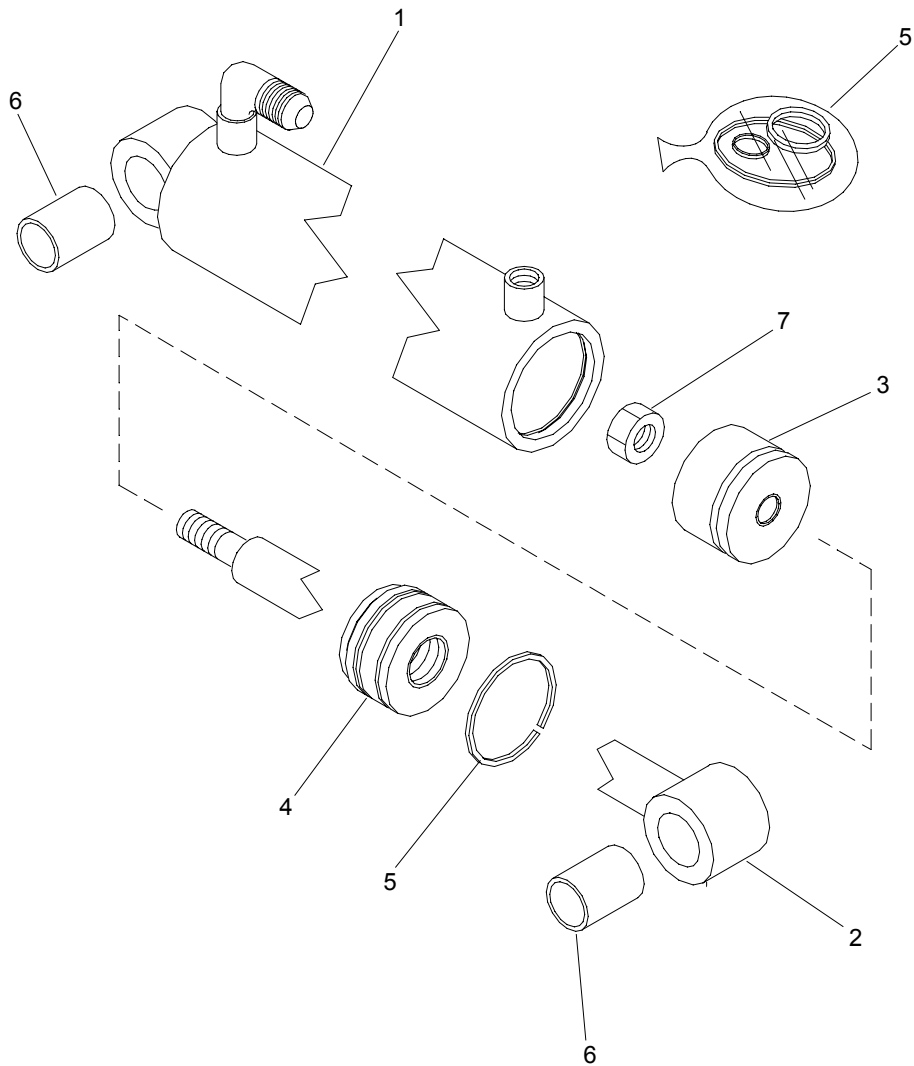


143-1713/83hyc20.wmf

L65659 Swing Carriage Cylinder
Thru S/N 2780

Ref. No.	Part No.	Description	Qty. Req.	Ref. No.	Part No.	Description	Qty. Req.
.a	L65659	COMPLETE ASY. (<i>Less 8</i>)	2	06	L61866	BUSHING	2
01	NSS	TUBE WELDMENT	1	07	080313	LOCKNUT 1-14	1
02	L99075	ROD WELDMENT	1	08	L10057	GREASE ZERK	2
03	L97953	PISTON	1				
04	L97954	END GLAND	1	a	<i>Refer to Part Number Stamped on Cyl. Tube.</i>		
05	L97955	CYLINDER SEAL KIT	1				

L63970 Swing Carriage Cylinder
S/N 2781 & Up

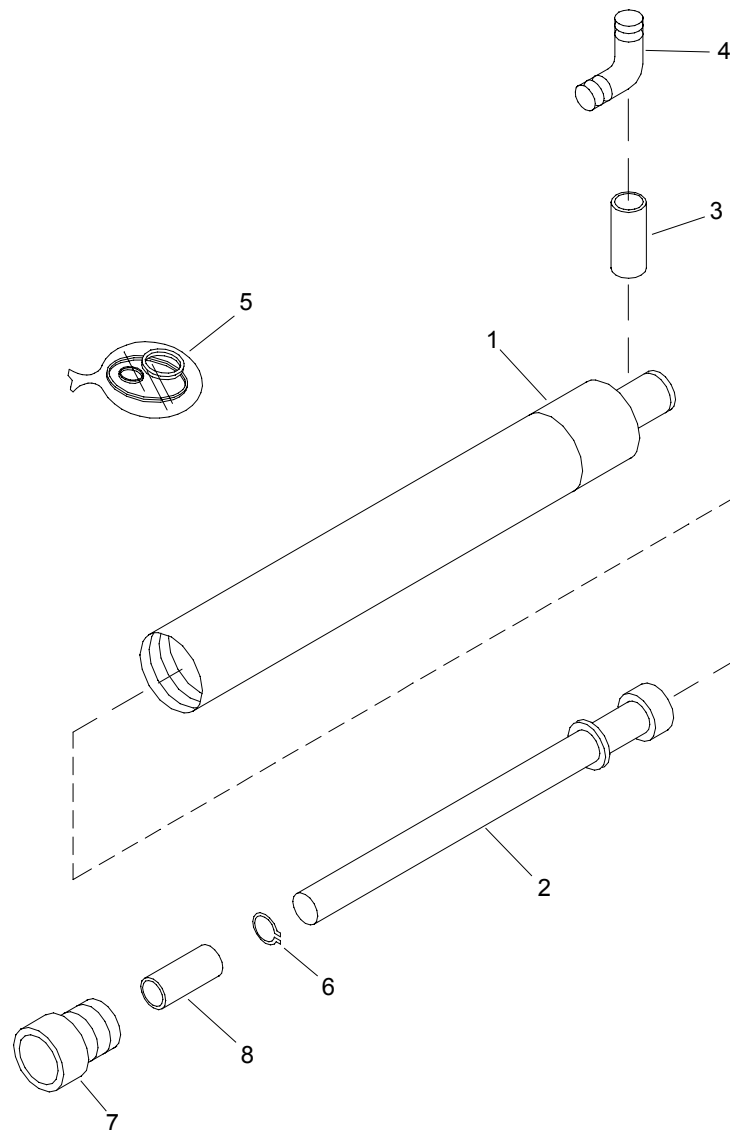


143-1713.dwg/83hyc26.wmf

L63970 Swing Carriage Cylinder S/N 2781 & Up

Ref. No.	Part No.	Description	Qty. Req.	Ref. No.	Part No.	Description	Qty. Req.
-a	L63970	COMPLETE ASY.	2	05	L99944	CYLINDER SEAL KIT	1
01	NSS	TUBE WELDMENT	1	06	L500366	BUSHING	2
02	L500364	ROD WELDMENT	1	07	L500367	LOCKNUT 3/4 - 16UNF	1
03	L98662	PISTON	1				
04	L500365	END GLAND	1	a	<i>Refer to Part Number Stamped on Cyl. Tube.</i>		

L97982 Mast Lift Cylinder
(6 Ft, Old Style)



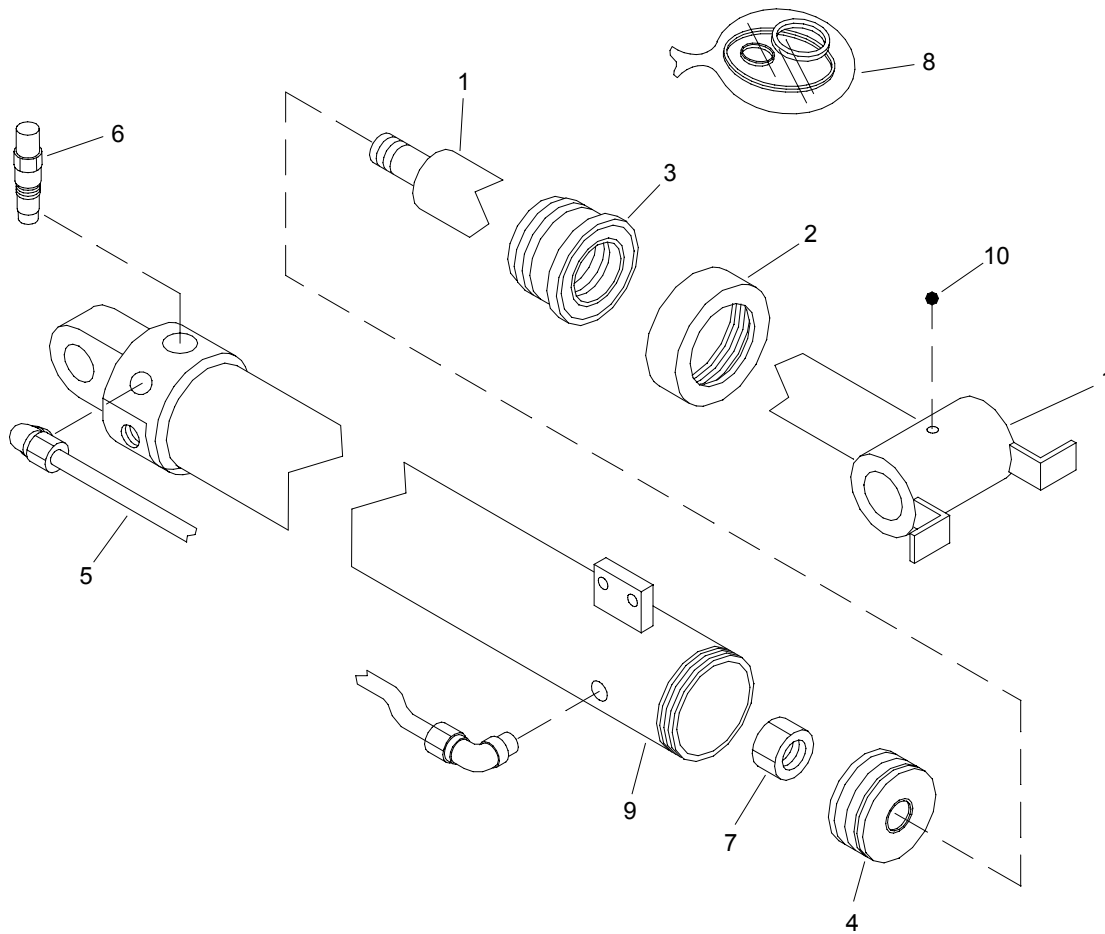
144-1714.dwg/83hyc21.wmf

L97982 Mast Lift Cylinder
(6 Ft, Old Style)

Ref. No.	Part No.	Description	Qty. Req.	Ref. No.	Part No.	Description	Qty. Req.
a	L97982	COMPLETE ASY	1	05	L97999	SEAL KIT	1
01	NSS	TUBE & BASE ASY	1	06		RETAINING RING	1
02	L97995	CYL. ROD	1	07	L97997	GLAND NUT	1
03	L97996	VALVE	1	08	L97998	VALVE	1
04		FITTING	1				

a Refer to Part Number Stamped on Cyl. Tube.

L66537 Mast Lift Cylinder
(6 Ft, New Style)

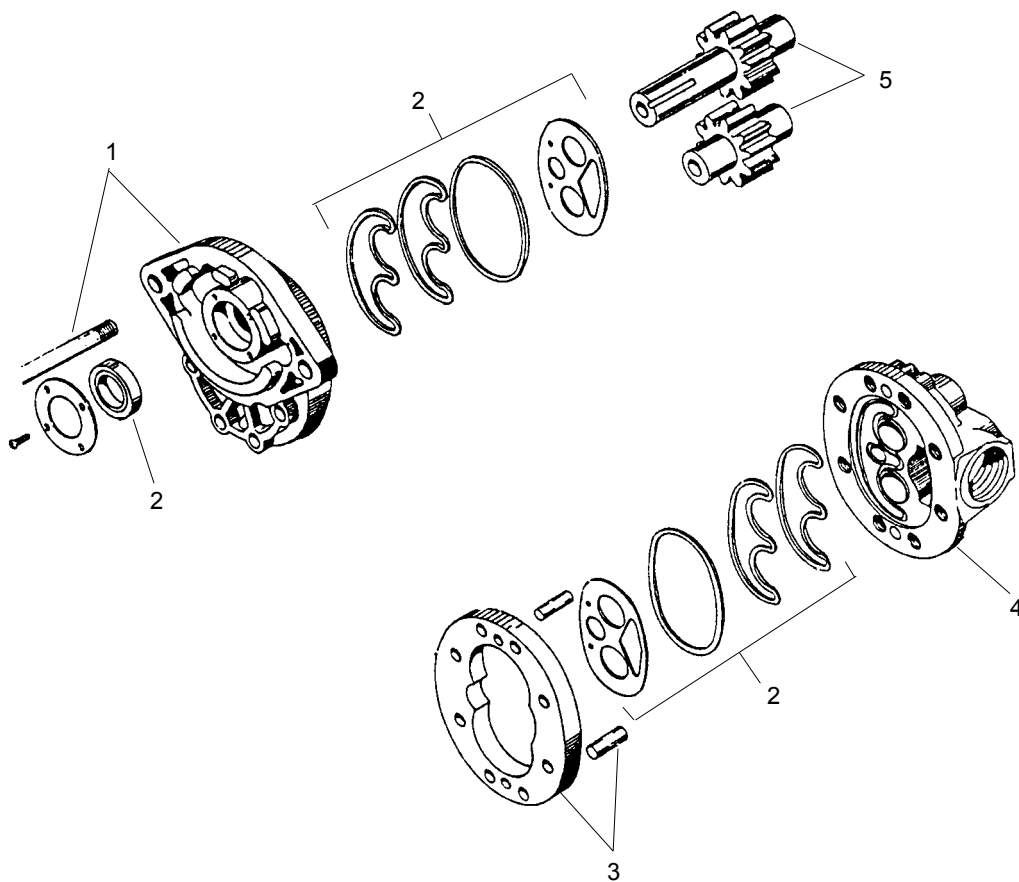


736-5011.dwg/83hyc22.wmf

L66537 Mast Lift Cylinder
(6 Ft, New Style)

Ref. No.	Part No.	Description	Qty. Req.	Ref. No.	Part No.	Description	Qty. Req.
-a	L66537	COMPLETE ASY. (<i>Less 10</i>)	1	07	080313	LOCKNUT 1-14 UNS	1
01	L98849	ROD WELD	1	08	L98848	CYLINDER SEAL KIT	1
02	L98850	GLAND CAP	1	09	NSS	TUBE WELDMENT	1
03	L98851	END GLAND	1	10	L10057	GREASE ZERK	1
04	L98852	PISTON	1				
05	L98853	OIL LINE TUBE	1	a		<i>Part Number Stamped on Cylinder Tube.</i>	
06	L98854	COUNTERBAL. VALVE	1				

Gear Pump - Thru S/N 7529

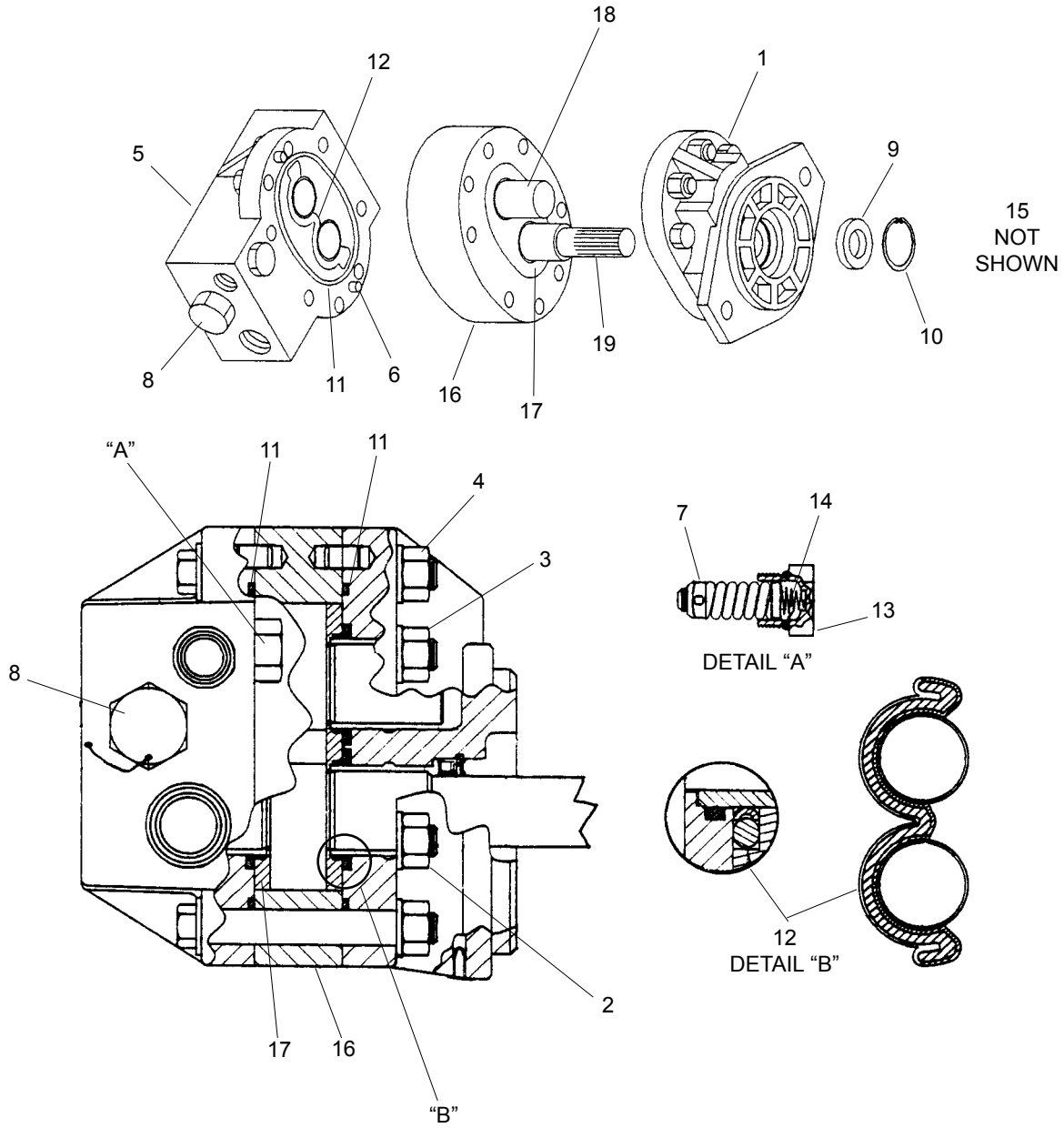


53hyc2.tif

Gear Pump - Thru S/N 7529

Ref. No.	Part No.	Description	Qty. Req.	Ref. No.	Part No.	Description	Qty. Req.
-	L99115	REPL. CONVERSION KIT FOR COMPL. PUMP	1	02	L97665	MINOR REPAIR KIT	1
	L46865	GASKET	1	03	NSS	GEAR PLATE SET	1
01	NSS	BODY ASY.	1	04	NSS	COVER ASSEMBLY	1
		SOC. HD. SCREW 3/8X3-3/48			<i>(Incl: Flow Divider & Relief)</i>	
	L50145	PLAIN WASHER 3/88	05	NSS	DRIVE & IDLER GEAR SET	1

Gear Pump - S/N 7530 & Up

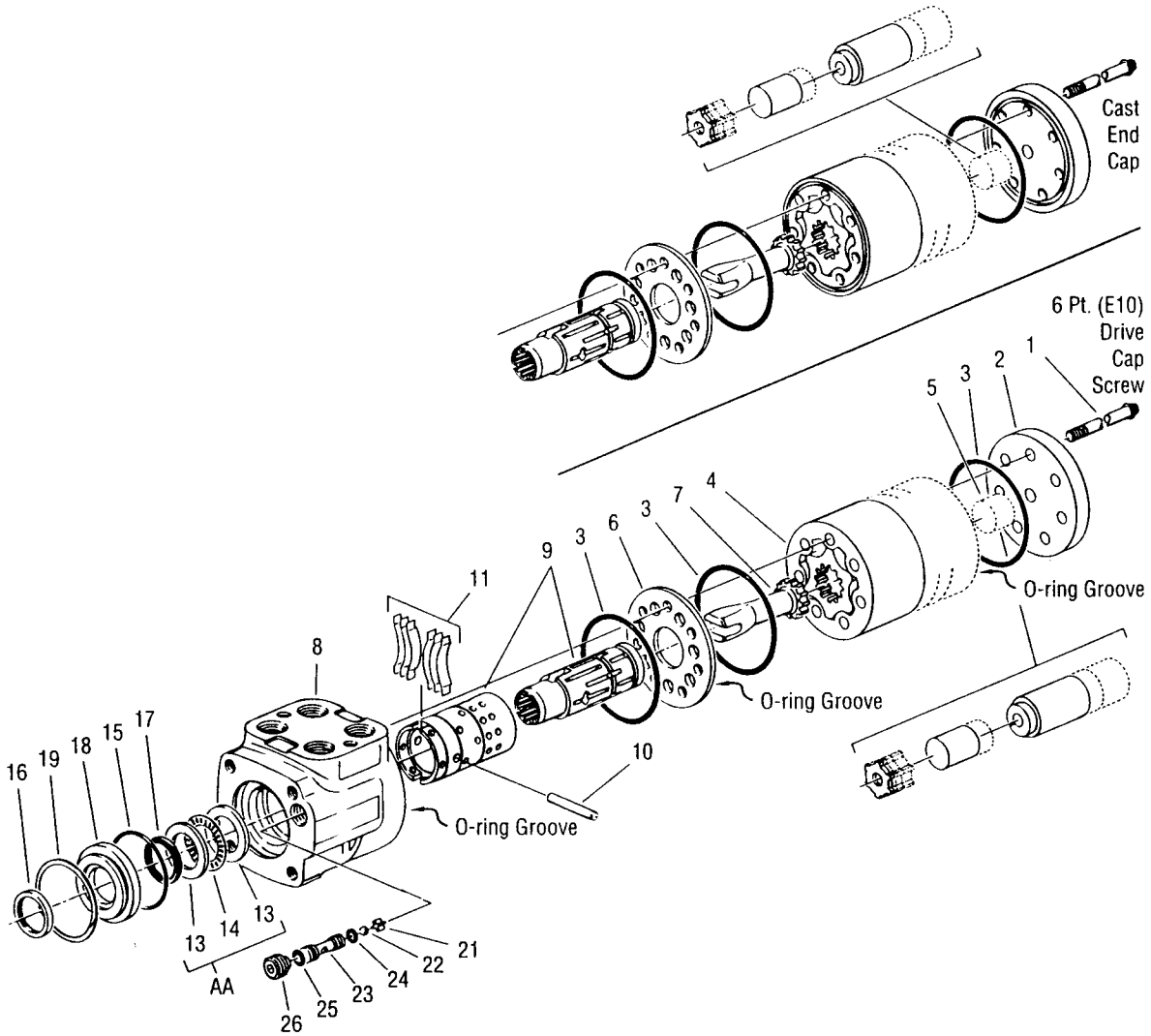


1013-78.dwg/83hyc1.tif

Gear Pump - S/N 7530 & Up

Ref. No.	Part No.	Description	Qty. Req.	Ref. No.	Part No.	Description	Qty. Req.
-	L66731	COMPLETE ASY.	1	08	L99394	PRIORITY FLOW RELIEF	1
-	L99392	REPAIR KIT (Includes Items 9-15)	1	09	NSS	SHAFT SEAL	1
01	NSS	FRT. HOUSING SECT. ASY.	1	10	NSS	SNAP RING	1
02	NSS	STUD	2	11	NSS	FRONT HOUSING SEAL	1
03	NSS	BOLT, COARSE THREAD	2	12	NSSQ	PRESS. BALANCE SEALS	AR
		NUT GR8 COARS THD.	2	13	L99395	PLUG W/O-RING	1
04	NSS	BOLT, FINE THREAD	4	14	NSS	SPRING	1
		NUT GR8 FINE THD.	4	15	L46865	MOUNTING GASKET	1
05	NSS	REAR HOUSING SECT. ASY.	1	16	NSS	GEAR HOUSING SECTION	1
06	NSS	DOWEL PIN	4	17	NSS	PRESSURE PLATE	4
07	L99393	SCREW VALVE ASY. (Includes Items 13 & 14)	1	18	NSS	IDLER GEAR	1
				19	NSS	MAIN GEAR & SHAFT ASY.	1

Power Steering Motor

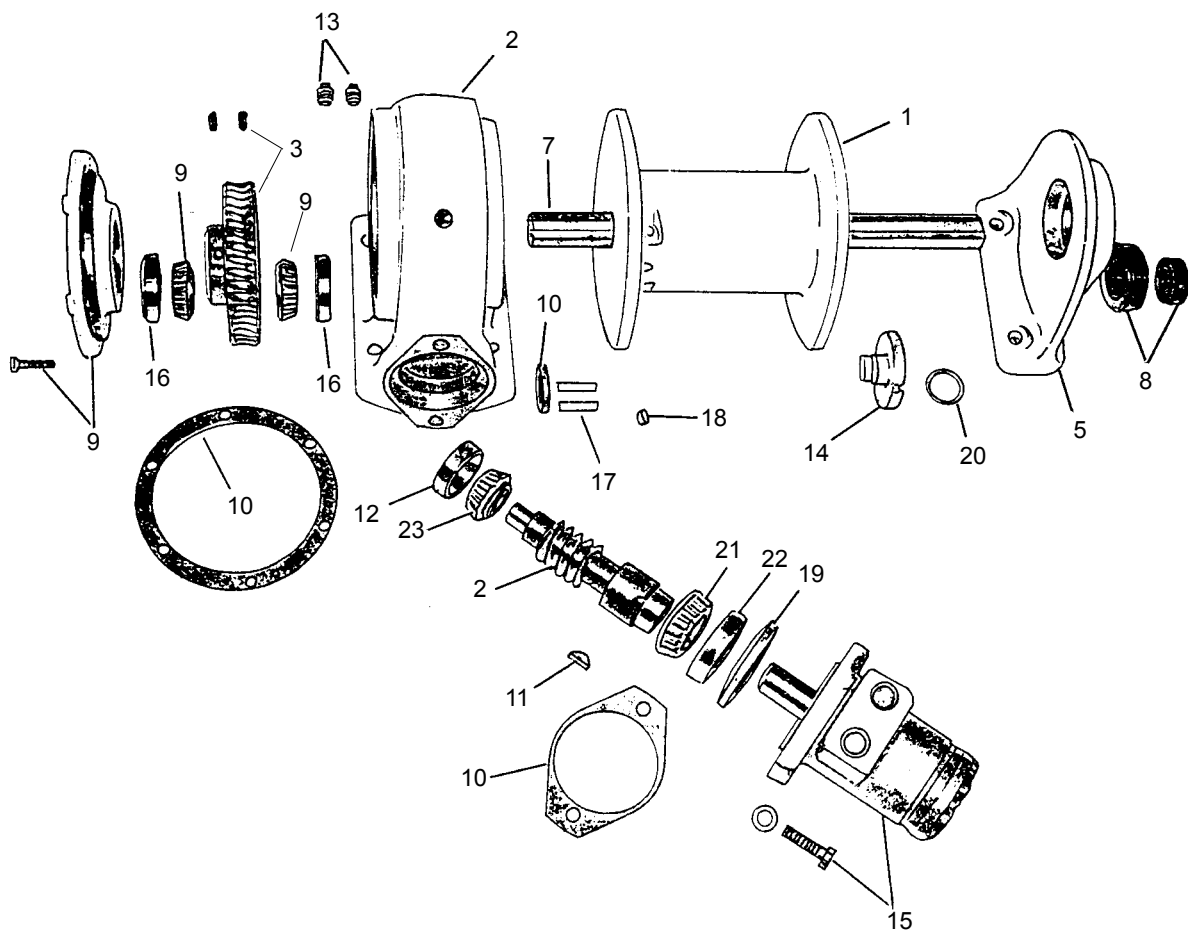


53hyc3.tif

Power Steering Motor

Ref. No.	Part No.	Description	Qty. Req.	Ref. No.	Part No.	Description	Qty. Req.
-a	L64523	COMPLETE ASY.	1	10	NSS	CENTERING PIN	1
		Thru S/N 7492		11	NSS	CENTERING SPRING	6
-a	L66753	COMPLETE ASY.	1	12		(NOT USED)	
		S/N 7493 & Up		13	NSS	BEARING RACE	2
-	L99002	SEAL KIT	1	14	NSS	NEEDLE BEARING	1
		S/N 7493 & Up		15		SEAL, 1.86ID	1
-	L97671	SEAL KIT	1	16		SEAL, 1.0ID	1
		Thru S/N 7492		17		QUAD RING SEAL 1.046 ID	1
		(Incl. 3, 15-17, 24, 25)		18	NSS	SEAL GLAND BUSHING	1
01		CAP SCREW	7	19	NSS	RETAINING RING	1
02	NSS	END CAP	1	20		(NOT USED)	
03		SEAL, 2.89 ID	3	21	NSS	CHECK BALL RETAINER	1
04	NSS	GEROTOR	1	22	NSS	CHECK BALL	1
05	NSS	SPACER	AR	23	NSS	BALL SEAT	1
06	NSS	SPACER PLATE	1	24		SEAL, .30ID	1
07	NSS	DRIVE	1	25		SEAL, .36ID	1
08	NSS	HOUSING	1	26		SET SCREW	1
09	NSS	CONTROL SLEEVE	1				
	NSS	CONTROL SPOOL	1	a		Field Service Limited to Seals Replmt. Only.	

Winch Assembly

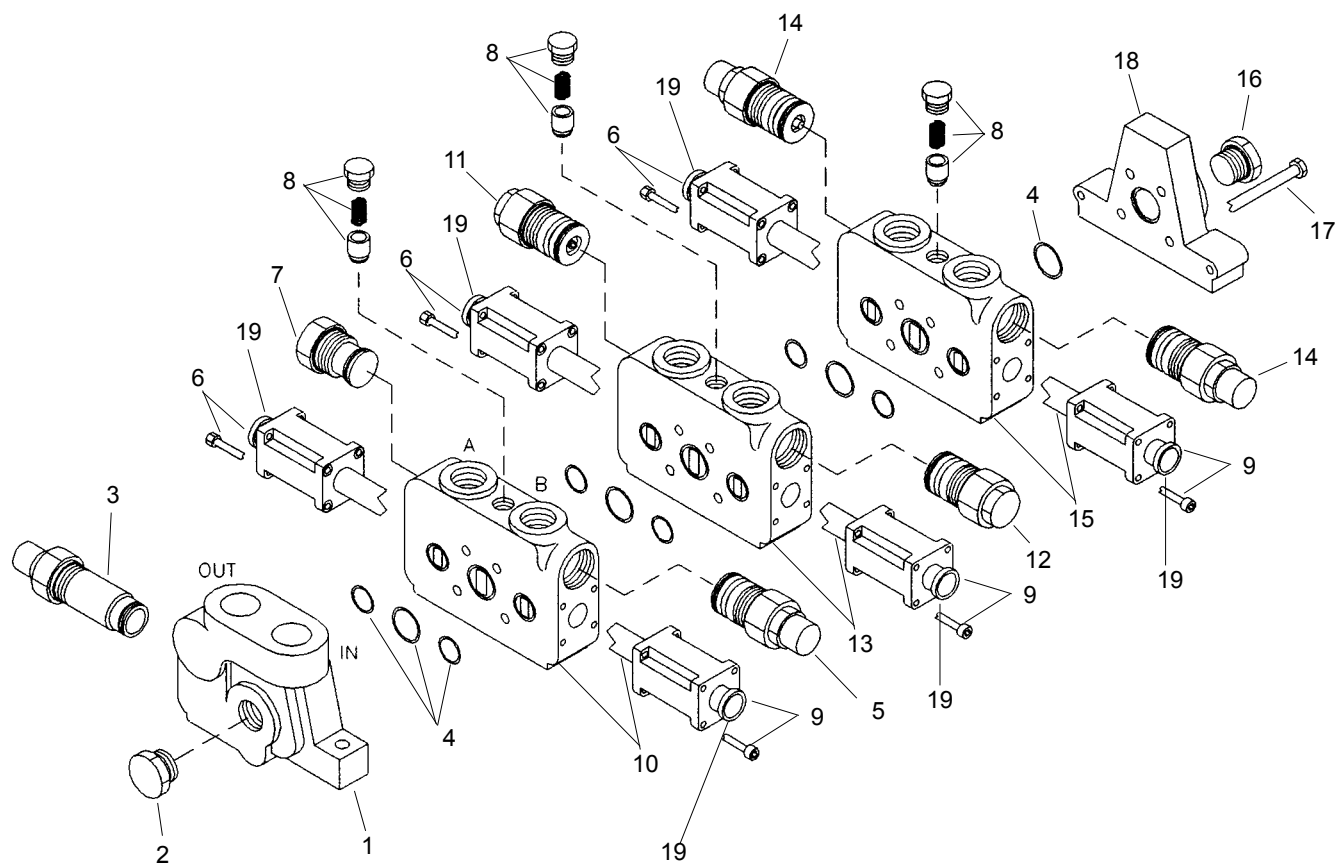


/53hyc4.tif

Winch Assembly

Ref. No.	Part No.	Description	Qty. Req.	Ref. No.	Part No.	Description	Qty. Req.
-	L60458	COMPL.WINCH ASY.	1	11	NSS	WOODRUFF KEY 1/4X1	1
01	NSS	7" DRUM W/8" FLANGE	1	12	NSS	BRG.CUP 3/4"	1
02	NSS	WORM SHAFT 20:1 RATIO STD.) .	1	13	NSS	PIPE PLUG 3/8"	2
03	NSS	BRONZE GEAR	1	14	NSS	DRIVE DOG	1
		SOC. HD. SCREW 1/2X1/2	1	15	NSS	DB CHAR-LYN MOTOR	1
04	NSS	GEAR CASE	1			CAPSCREW 7/16X1-1/2	2
	NSS	GALV. END CAP	1		L50150	LOCKWASHER 7/16	2
05	NSS	END HOUSING	1	16	NSS	BRG.CUP 1-1/4"	2
06	NSS	GEAR CASE COVER	1	17	NSS	KEY 1/4X5/16X1-7/16"	2
		CAPSCREW 5/16X1	6	18		SOC.SETSCREW 1/2X1/2"	1
07	NSS	13" SHAFT FOR 7" DRUM	1	19	NSS	SPACER .265-.270	
08	NSS	END BEARING	1	20	NSS	EXT. RETAINING RING 1-1/4"	1
09	NSS	BRG. CONE 1-1/4"	2	21	NSS	BRG. CONE 1-1/2"	1
10	L97943	SEAL KIT Incl:AR	22	NSS	BRG. CUP 1-1/2"	1
	L99217	Cover Gaskets	1 ea.	23	NSS	BRG. CONE 3/4"	1
		.002" Red					
		.005" Blue					
		.010" Brown					
	L99215	Motor.Gaskets	1 ea.				
		.002" Red					
		.005" Blue					
		.010" Brown					
	L99216	Nat.Oil Seal	1				

V40 Main Valve

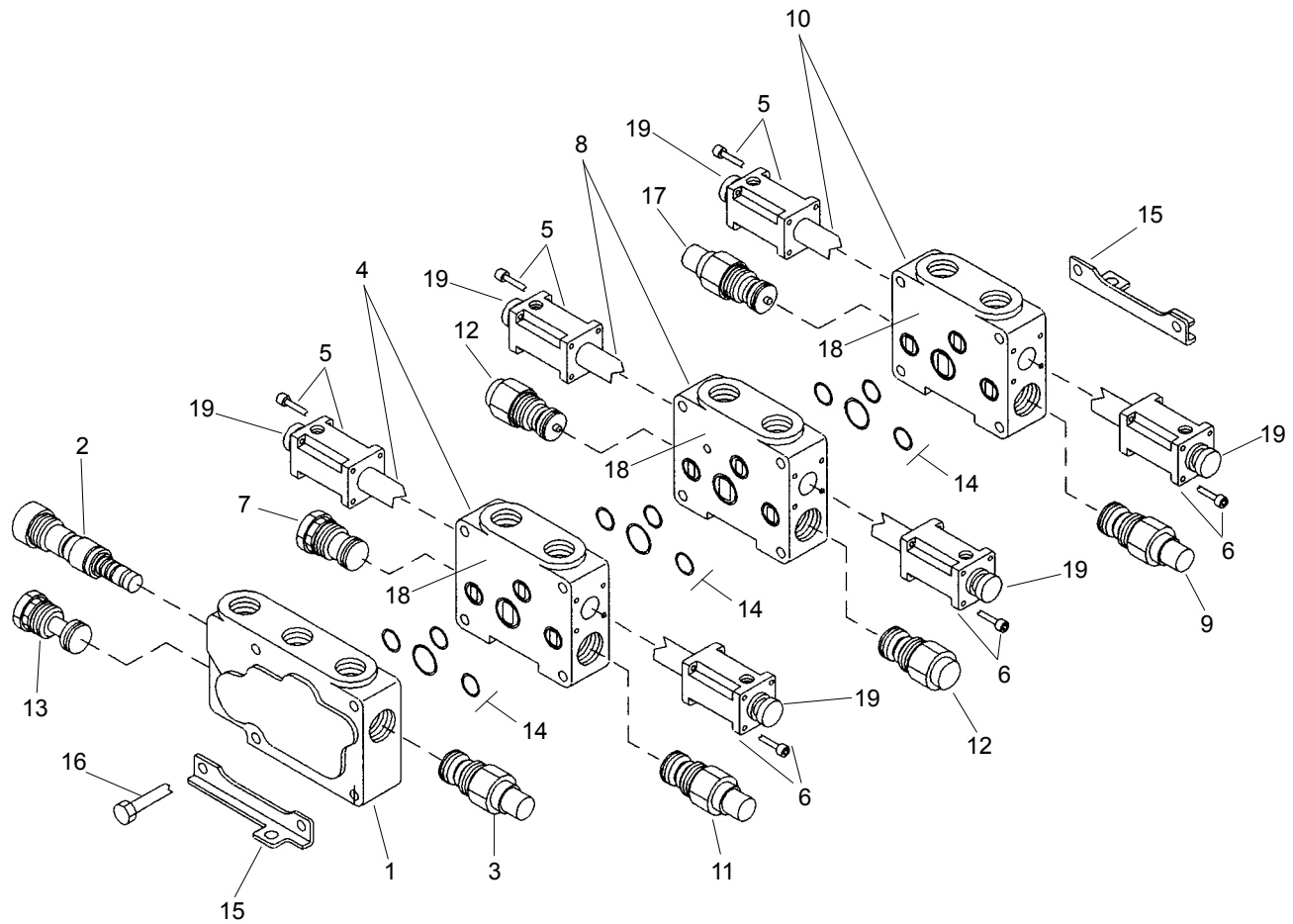


706-5009.dwg/83hyc2.tif

V40 Main Valve

Ref. No.	Part No.	Description	Qty. Req.	Ref. No.	Part No.	Description	Qty. Req.
-	L66441	COMPLETE ASY.	1	10	NSS	EXT. WORK SECT. W/SPOOL	1
		S/N 7380 & Up		11	L99087	ANTI-CAV CHECK ASY.	1
01		INLET/OUTLET COVER	1	12	L99087	ANTI-CAV W/RESTRICTOR	1
02	L99831	PLUG	1		L99088	RESTRICTOR .219 DIA.	1
03	L98745	MAIN RELIEF 2850 PSI	1	13	NSS	LIFT WORK SECT. W/SPOOL	1
	L99094	RELIEF SEAL KIT	1	14	L99089	WORK PORT RELIEF/ ANTI-CAV ASY.	2
04	L99082	SECT. SEAL KIT	1		L97361	RELIEF/AC SEAL KIT	2
05	L99083	WORK PORT RELIEF ASY.	1	15	NSS	TILT WORK SECT. W/SPOOL	1
	L97361	SERVICE KIT	1	16	L99831	PLUG	1
06	L99084	"B" PORT POSITIONER	3	17	L99090	BOLT KIT-3 SECTION	1
	L98894	SEAL KIT	3		L99093	BOKT KIT-4 SECTION	1
07		PLUG	1	18	L99899	END COVER	1
08	L99085	LOAD CHECK ASY.	3	19	L500300	DUST BOOT	6
09	L99086	"A" PORT POSITIONER	3				
	L98894	SEAL KIT	3				

V30 Main Valve

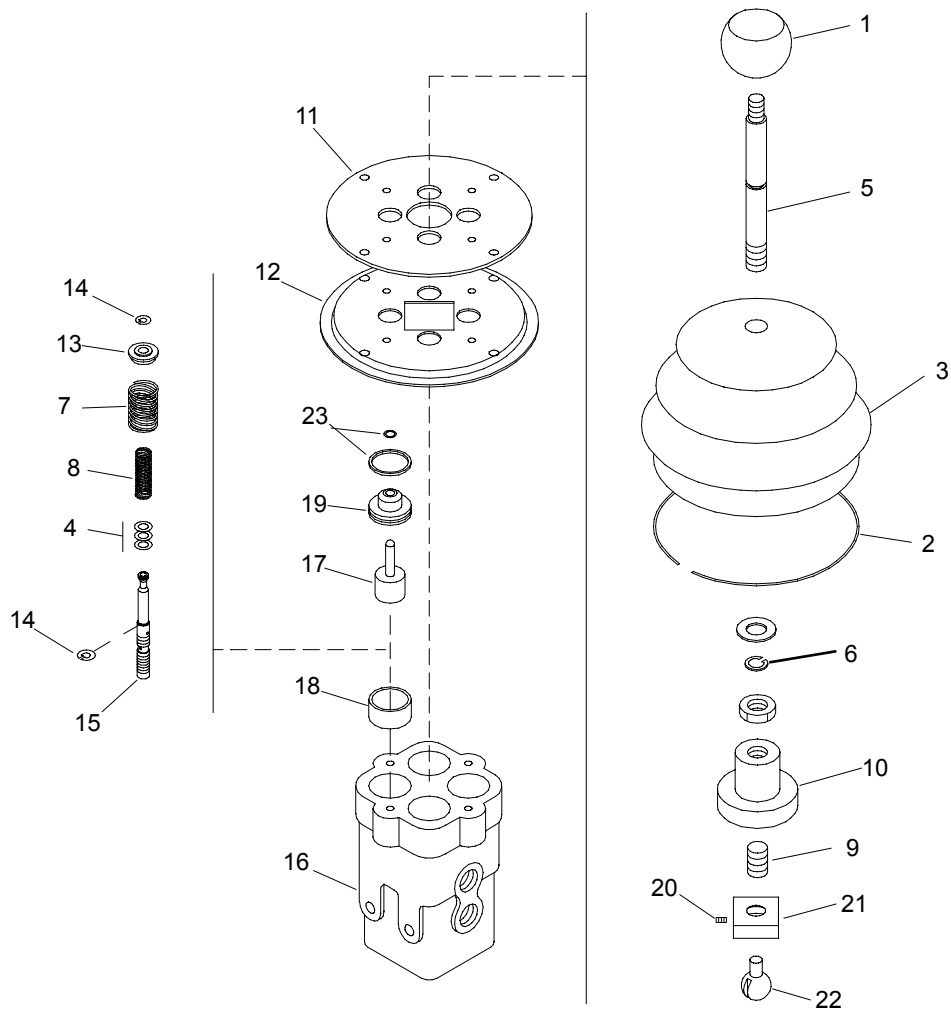


94-1001.dwg/83hyc3.tif

V30 Main Valve

Ref. No.	Part No.	Description	Qty. Req.	Ref. No.	Part No.	Description	Qty. Req.
a		CONVERSION KIT TO V40-		10	L98741	TILT SECT.HSG. & SPOOL	1
	L98706	3-SECT. V40 VALVE ASY.	1		L98049	SPOOL SEAL KIT	1
	L98707	4-SECT. V40 VALVE ASY.	1	11	L98029	RELIEF ASY. (Set 2000 PSIG)	1
01	L97349	INLET/OUTLET SECT.	1		L97361	SEAL KIT	1
02	L97350	UNLOADER ASY.	1	12	L97360	LIFT ANTI-CAV. CHECK ASY.	2
	L97351	SEAL KIT	1		L97361	SEAL KIT	1
03	L98029	MAIN RELIEF ASY.	1	13	L97368	PB PORT PLUG	1
	L97361	SEAL KIT	1		L97369	SEAL KIT	1
04	L97354	EXT. SECT. HSG. & SPOOL	1	14	L97370	SECTIONS SEAL KIT	1
	L98049	SPOOL SEAL KIT	1	15		LH FOOT MT. BRKT.	1
05	L97355	HRO POSITNR. B-PORT SIDE	3			RH FOOT MT. BRKT.	1
	L97356	SEAL KIT	1		L50144	CAPSCREW 5/16X3/4	4
	L98626	NEW OUTER SEAL ONLY	1		L50143	PLAIN WASHER 5/16	4
06	L97357	HRO POSITNR. A-PORT SIDE	3			LOCKWASHER 5/16	4
	L97356	SEAL KIT	1	16		SECT. STUDS W/NUTS	4
	L98626	NEW OUTER SEAL ONLY	1	17	L97362	TILT ANTI-CAV./RELIEF ASY. (Set 2800 PSIG)	1
07	L97358	EXT.PLUG ASY	1		L97361	SEAL KIT	1
	L97359	SEAL KIT	1		L97574	COMPL. SEAL KIT	1
08	L97354	LIFT SECT.HSG.& SPOOL	1	18	L98150	LOAD SENSE CHK. VALVE KIT	1
	L98049	SPOOL SEAL KIT	1	19	L500300	DUST BOOT	6
09	L98028	TILT ANTI-CAV./RELIEF ASY. (Set 1500 PSIG)	1				
	L97361	SEAL KIT	1				

Four-Way Joystick

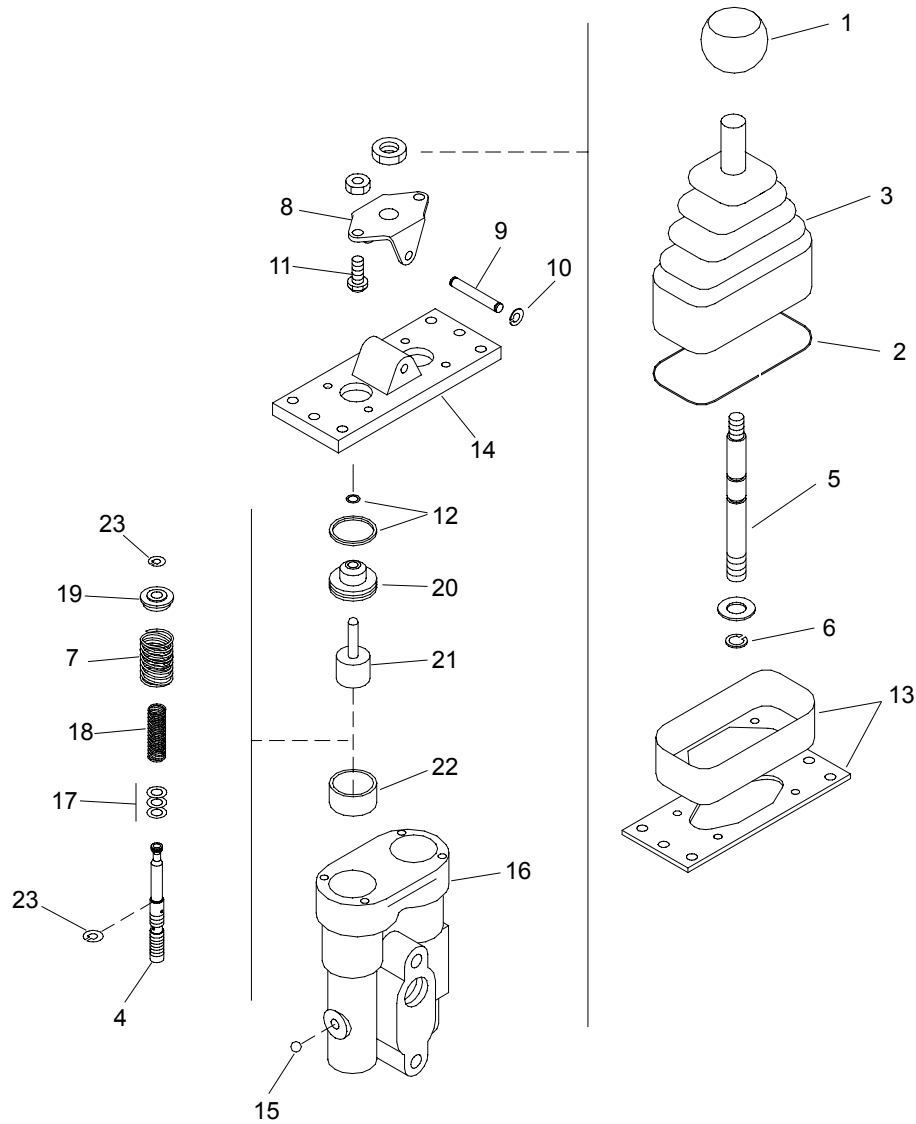


90-0810.dwg/83hyc23.wmf

Four-Way Joystick

Ref. No.	Part No.	Description	Qty. Req.	Ref. No.	Part No.	Description	Qty. Req.
-	L62553	COMPLETE ASY.	1	14	L97583	RETAINING RING	8
01	L46572	KNOB	1	15	NSS	SPOOL	4
02	L96853	RETAINER	1	16	NSS	HOUSING	1
03	L96852	BOOT	1	17	L97579	PLUNGER PIN	4
04	L97585	SHIM-PAC, Incl:	AR	18	L96999	SPACER	4
		SIZES .01,.02, .06		19	L97580	PLUNGER GUIDE	4
05	L98044	HANDLE ROD	1	20	L97001	NYLOK SETSCREW	1
	L50151	PLAIN WASHER 1/2	1	21	L96996	BALL PIVOT RACE	1
	L50123	STOVER LOCK NUT 3/8-16	1	22	L96997	PIVOT BALL	1
	L50082	JAM NUT 5/8-11	1			<i>(Incl: Items 10,11,21)</i>	
06	L96851	RETAINER RING	1	23	L97581	SEAL KIT	4
07	L96928	SPRING .771ODX.55WD	4	-	L97631	PLUNGER ASY.	4
08	L97584	SPRING .341ODX.051WD	4			<i>(Incl: Items 17,19,23)</i>	
09		<i>(Part of Item 21)</i>	1	-	L97582	SPOOL ASY.	4
10	L96993	CAM PLATE	1			<i>(Incl: Items 4,8,13-15)</i>	
11	L96994	UPPER MTG. PLATE	1	-	L96997	BALL/PIVOT ASY.	1
12	L96995	LOWER MTG. PLATE	1			<i>(Incl: Items 10,11,20-22 &</i>	
13		SPRING RETAINER	4		L50082	JAM NUT 5/8-11	1

Two-Way Joystick

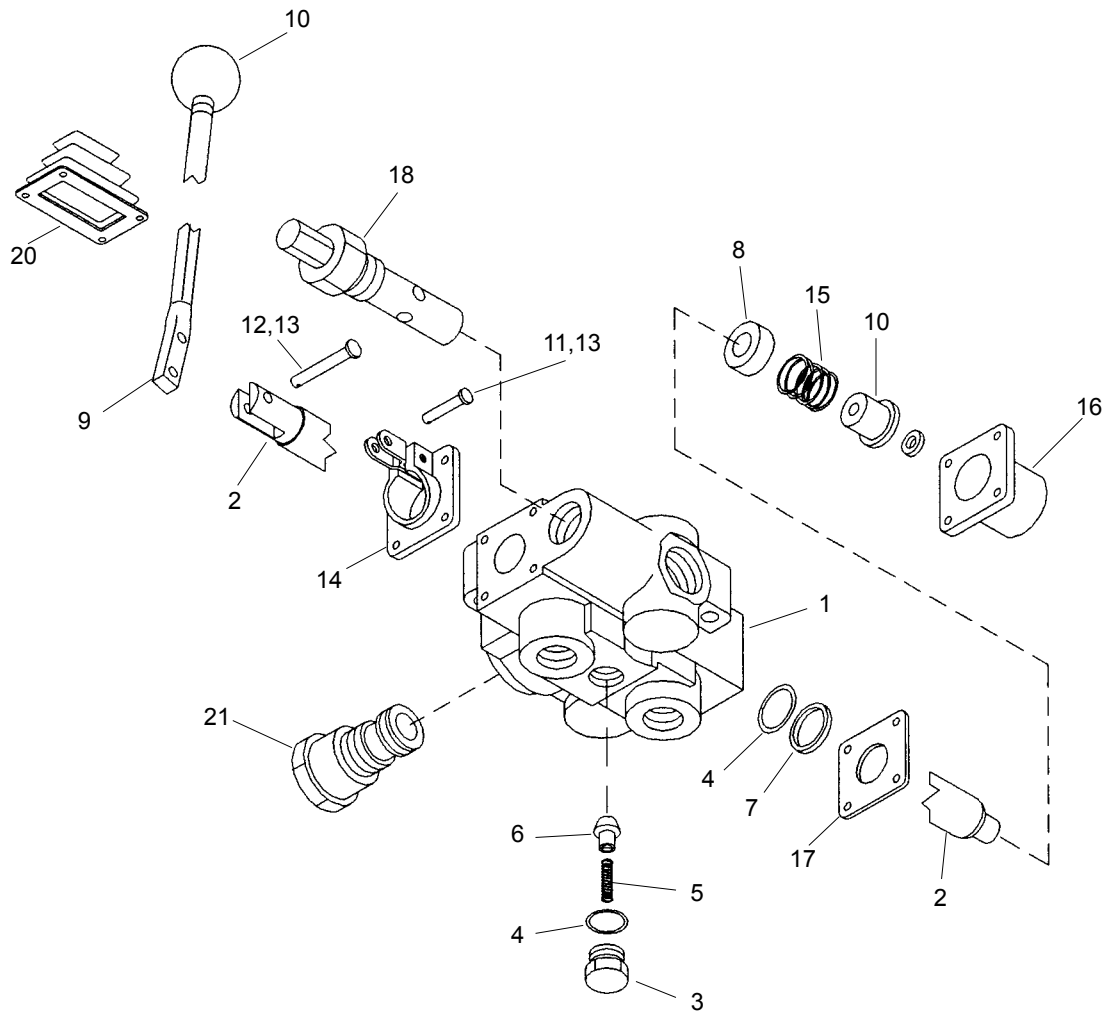


81-0811.dwg/83hyc24.wmf

Two-Way Joystick

Ref. No.	Part No.	Description	Qty. Req.	Ref. No.	Part No.	Description	Qty. Req.
-	L60302	COMPL. ASY.	1	14	L97042	BOTTOM PLATE	1
01	L97634	KNOB	1	15		EXPANSION PLUG	1
02	L96920	RETAINER	1	16	NSS	HOUSING	1
03	L97633	BOOT	1	17	L96925	SHIM-PAC, Incl:	AR
04		SPOOL	2			SIZES .01, .02, .06	
05	L96911	ROD HANDLE	1	18	L96924	SPRING .341ODX.051WD	2
	L50151	PLAIN WASHER 1/2	1	19		SPRING RETAINER	2
	L50123	STOVER LOCKWASHER 3/8-16 ..	1	20	L97580	PLUNGER GUIDE	2
06	L96851	RETAINER RING	1	21	L97579	PLUNGER PIN	2
07	L96928	SPRING .771ODX.055WD	2	22	L96999	SPACER	2
08	L97041	ROCKER ARM	1	23	L96923	RETAINER RING	4
09		CLEVIS PIN	1	-	L97631	PLUNGER ASY	2
10		COTTER PIN	1			(Incl: Items 12,20,21)	
11	L96933	BUTTON	2	-	L96931	SPOOL ASY	2
		(1) 1/4JN				(Incl: Items 4,17,23)	
12	L96929	SEAL KIT	2	-	L96932	ROCKER ARM ASY	1
13		TOP PLATE	1			(Incl: Items 8-11,13,14)	

Frame Level Control Valve

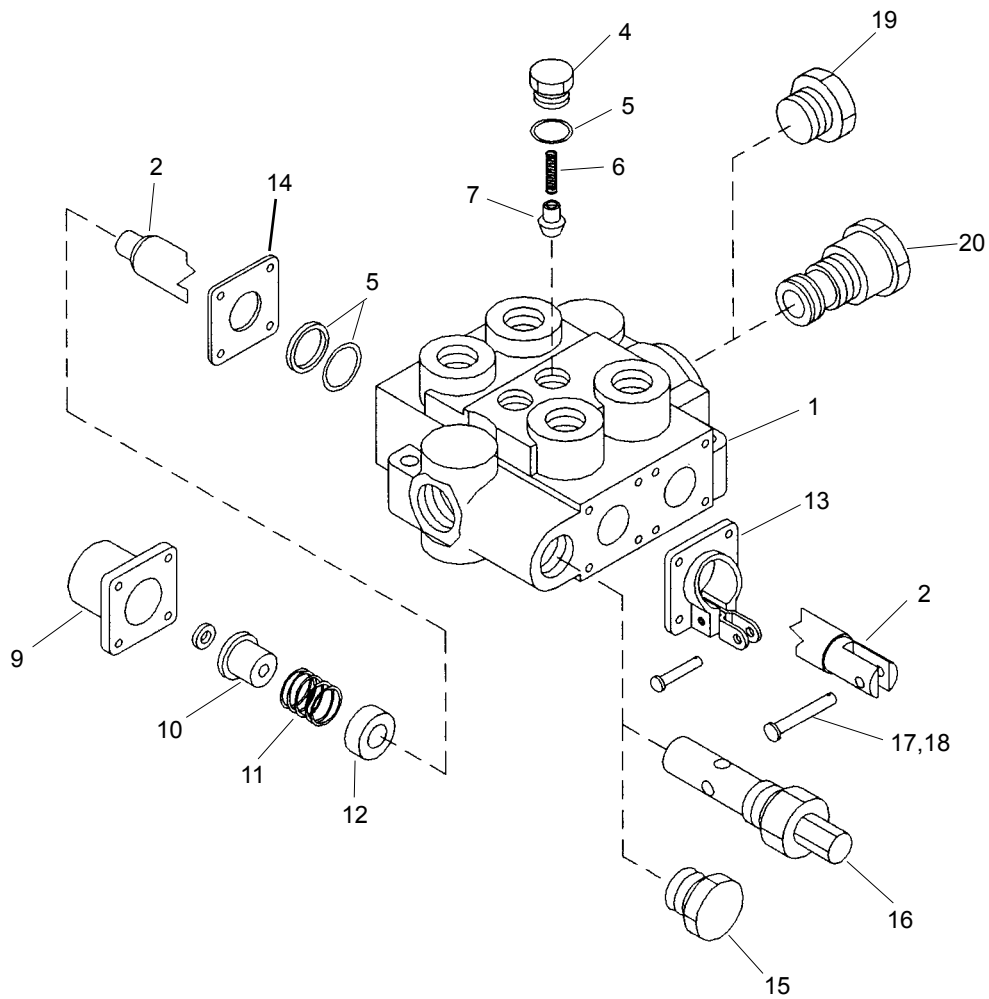


29-0254.dwg/63hyc6.tif

Frame Level Control Valve

Ref. No.	Part No.	Description	Qty. Req.	Ref. No.	Part No.	Description	Qty. Req.
-	L68313	COMPL.ASY.	1	11	L98127	CLEVIS PIN	1
01	NSS	BODY	1	12	L98128	CLEVIS PIN	2
02	NSS	SPOOL	1	13	NSS	COTTER PIN	2
03	NSS	LOAD CHECK PLUG	2	14	L97959	CLEVIS BRACKET	1
04	L97299	SEAL KIT	1	15	NSS	SPRING	1
05	NSS	LOAD CHECK SPRING	1	16	L99194	END CAP	1
06	NSS	LOAD CHECK POPPET	1	17	NSS	RETAINER PLATE	1
07	NSS	BACKUP RING	1	18	L62320	RELIEF CARTRIDGE	1
08	NSS	INNER STOP CUP	1	19	NSS	OUTER STOP CUP	1
09	L62232	HANDLE	1	20	L62427	BOOT	1
10	L97662	KNOB	1	21	L99186	POWER BEYOND SLEEVE	1

Outrigger Control Valve

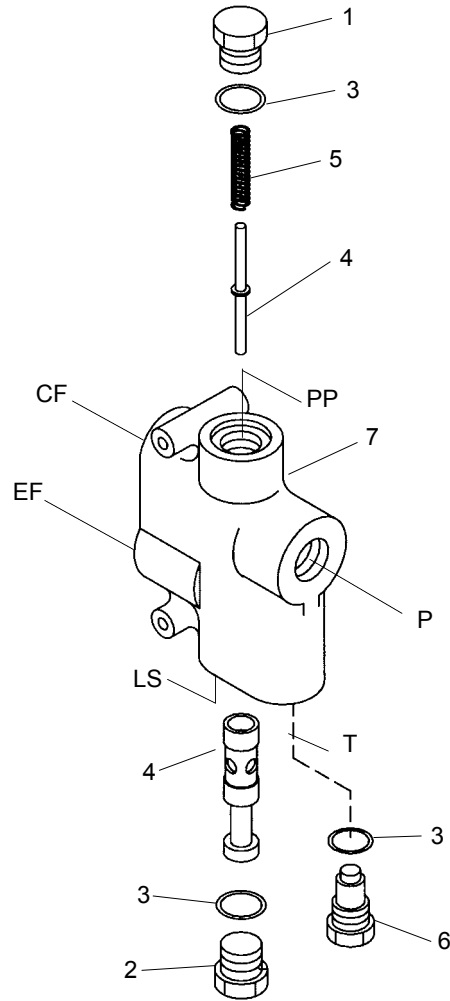


142-1711.dwg/83hyc6.tif

Outrigger Control Valve

Ref. No.	Part No.	Description	Qty. Req.	Ref. No.	Part No.	Description	Qty. Req.
-		COMPLETE .ASY.	1	11	L99201	OUTER STOP CUP SPRING	2
	L65176	Thru S/N 7034		12	L99202	INNER STOP CUP	2
	L66942	S/N 7035 & Up		13	L97959	SPOOL ADAPTER	2
01	NSS	BODY	1	14	NSS	RETAINER PLATE	2
02	NSS	FIRST SPOOL	1	15	NSS	PLUG	1
03	NSS	SECOND SPOOL	1			Thru S/N 7034	
04	NSS	LOAD CHECK PLUG	2	16	L62320	RELIEF CARTRIDGE	1
05	L97659	SEAL KIT	1			S/N 7035 & Up	
06	L99195	LOAD CHECK SPRING	2	17	NSS	CLEVIS PIN	1
07	NSS	LOAD CHECK POPPET	2	18	NSS	COTTER PIN	1
08	L97662	KNOB	2	19	NSS	PLUG	1
09	L99194	DRAWN CUP	2			Thru S/N 7034	
10	L99200	OUTER STOP CUP	2	20	L99186	PWR. BEYOND SLEEVE	1
						S/N 7035 & Up	

L64179 Priority Flow Divider

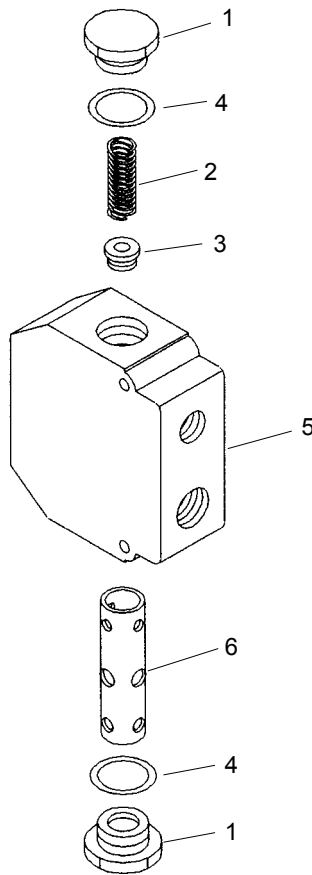


836-63.dwg/53hyc9.tif

L64179 Priority Flow Divider

Ref. No.	Part No.	Description	Qty. Req.	Ref. No.	Part No.	Description	Qty. Req.
-	L64179	COMPL. ASY.	1	04	NSS	SPOOL	1
01	NSS	PLUG ASY.	1	05	NSS	SPRING	1
02	NSS	PLUG	1	06	L97654	RELIEF CARTRIDGE ASY.	1
03	L97655	SEAL KIT	1	07	NSS	HOUSING	1

L61878 Two GPM Flow Divider

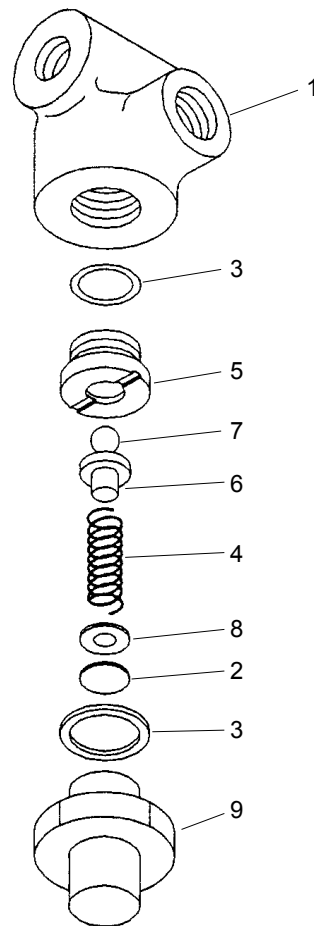


673-5442.dwg/83hyc8.tif

L61878 Two GPM Flow Divider

Ref. No.	Part No.	Description	Qty. Req.	Ref. No.	Part No.	Description	Qty. Req.
-	L61878	COMPL. ASY.	1	04	L97286	O-RING SEAL	2
01	NSS	PLUG	1	05	NSS	BODY	1
02	NSS	SPRING	1	06	NSS	METERING SPOOL	1
03	NSS	PLUG W/ORIFICE	1	07	NSS	PLUG	2

L60523 Joystick Relief

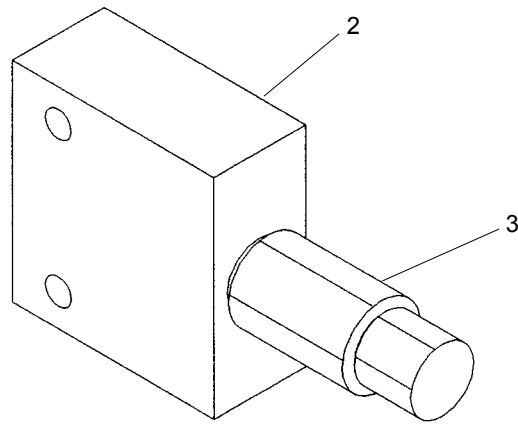


673-5442.dwg/83hyc9.tif

L60523 Joystick Relief

Ref. No.	Part No.	Description	Qty. Req.	Ref. No.	Part No.	Description	Qty. Req.
-	L60523	COMPLETE ASY.	1	06	NSS	SPRING SPACER	1
01	NSS	HOUSING	1	07	NSS	RELIEF BALL	1
02	NSS	SHIMAR		08	NSS	SPACER WASHER	AR
03	L97019	SEAL KIT	1	09	NSS	BODY	1
04	NSS	STANDARD SPRING	1	10	L97020	SERVICE KIT (<i>Not Shown</i>)	1
05	NSS	RELIEF SEAT	1			Incl: Items 3-5,7)	

L65556 Outrigger Relief

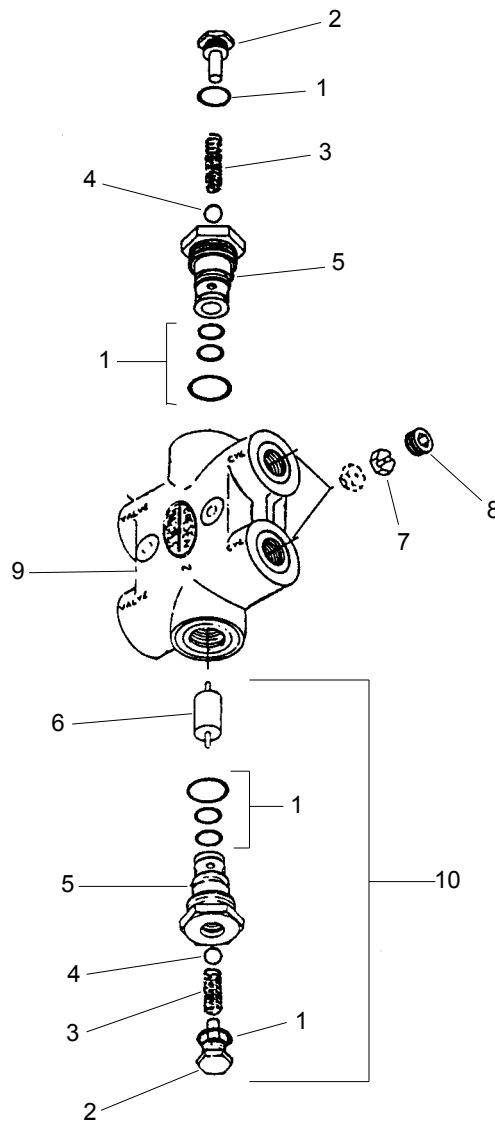


673-5442.dwg/83hyc10.tif

L65556 Outrigger Relief

Ref. No.	Part No.	Description	Qty. Req.	Ref. No.	Part No.	Description	Qty. Req.
-	L65556	COMPLETE ASY.	1	03		RELIEF CARTRIDGE	1
01		SEAL KIT (<i>Not Shown</i>)	1		L98006	(<i>Fluid Controls</i>)	
	L98007	(<i>Fluid Controls</i>)			L98008	(<i>Snap-Tite</i>)	
	L98009	(<i>Snap-Tite</i>)					
02	NSS	BODY	1				

L276911 Locking Valve

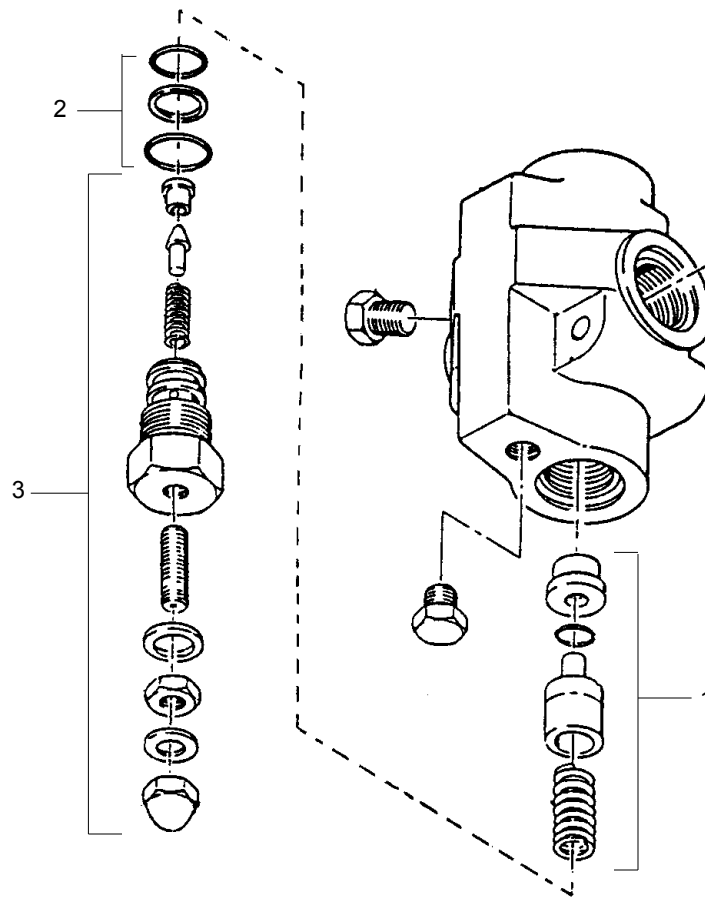


83hyc11.tif

L276911 Locking Valve

Ref. No.	Part No.	Description	Qty. Req.	Ref. No.	Part No.	Description	Qty. Req.
-	L276911	COMPLETE ASY.	1	06	NSS	DOUBLE PISTON	1
01	L98674	SEAL KIT	1	07	NSS	ORIFICE PLATE .078"	2
02	NSS	CHECK PLUG CAP	2	08	NSS	STOP SCREW	2
03	NSS	CHECK SPRING	2	09	NSS	BODY	1
04	NSS	CHECK BALL	2	10	L98675	REBUILD KIT	1
05	NSS	CHECK BODY	2			(Incl. Items 1-6)	

L430011 Winch Relief

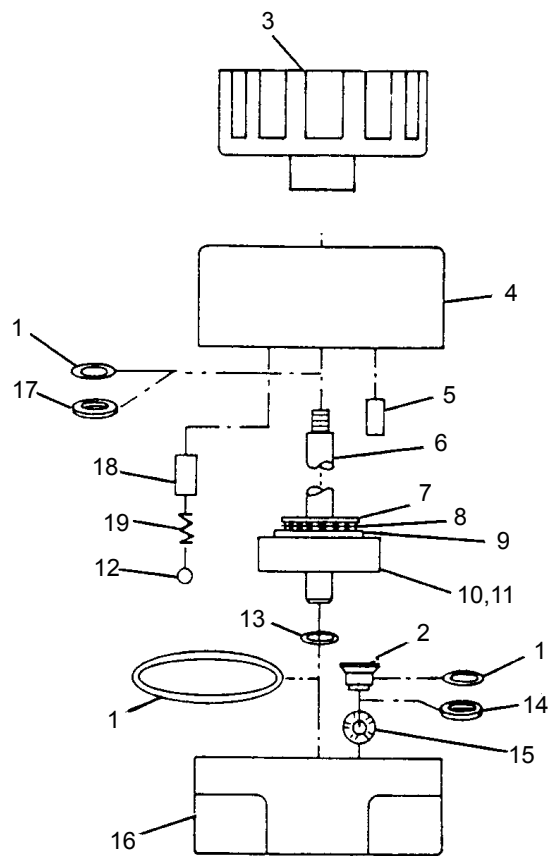


765-58.dwg/53hyc11.tif

L430011 Winch Relief

Ref. No.	Part No.	Description	Qty. Req.	Ref. No.	Part No.	Description	Qty. Req.
-	L430011	COMPLETE ASY.	1	02	L94332	SEAL KIT	1
01	L94332	POPPET REPAIR KIT	1	03	L94331	PILOT REPAIR KIT	1

L61462 Steer Select Valve - Thru S/N 7379

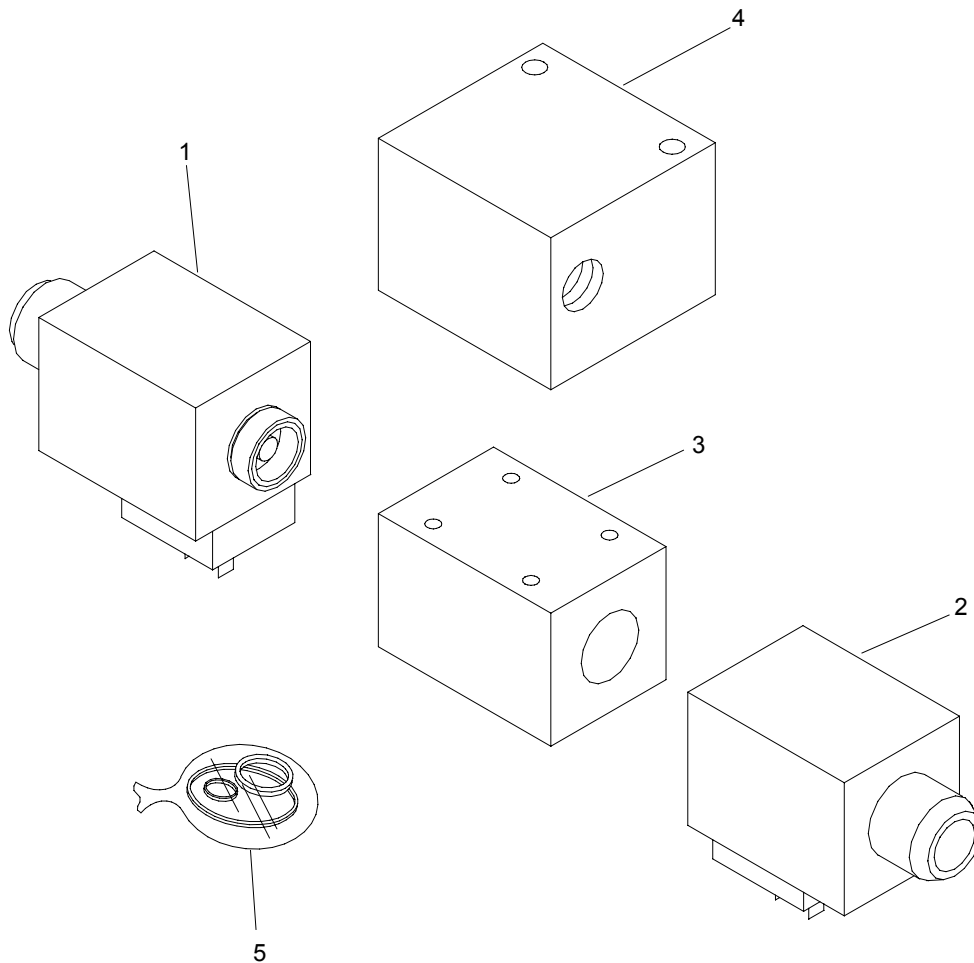


741-0257.dwg/63hyc8.tif

L61462 Steer Select Valve - Thru S/N 7379

Ref. No.	Part No.	Description	Qty. Req.	Ref. No.	Part No.	Description	Qty. Req.
-	L61462	COMPL. ASY.	1	10	NSS	DISC	1
	L50228	CS05/16X1/2	4	11	NSS	PLUG	2
01	L97609	SEAL KIT	1	12	L94468	DETENT BALL	2
02	NSS	SEAT	1	13	NSS	SHAFT WASHER	1
03	L97664	KNOB	1	14	NSS	BACKUP RING	8
04	NSS	CAP	1	15	L98046	SPRING	4
05	NSS	STOP PIN	1	16	NSS	BODY	1
06	NSS	SHAFT	1	17	NSS	SHAFT RING	1
07	NSS	BEARING RACE	1	18	NSS	DETENT BUSHING	2
08	NSS	BEARING ASY.	1	19	L94467	DETENT SPRING	1
09	NSS	STOP PLATE	1	20	L98712	REPLACEMENT KIT (Not Shown) .	1

L66584 Steer Select Solenoid Valve - S/N 7380 & Up



707-5010.dwg/83hyc25.wmf

L66584 Steer Select Solenoid Valve - S/N 7380 & Up

Ref. No.	Part No.	Description	Qty. Req.	Ref. No.	Part No.	Description	Qty. Req.
-	L65684	COMPL. ASY.	1	03	NSS	BODY	1
01	NSS	"B" SOLENOID ASY, 12VDC	1	04	NSS	MANIFOLD BLOCK	1
	NSS	COIL ONLY	1	05	L63602	SEAL REPAIR KIT	1
02	NSS	"A" SOLENOID ASY, 12VDC	1				
	NSS	COIL ONLY	1				

Part No.	Page No.	Ref. No.	Part No.	Page No.	Ref. No.	Part No.	Page No.	Ref. No.	Part No.	Page No.	Ref. No.
056859	11	22	L10057	23		L277617	31	25	L41852	71	
056859	7	20	L10057	27		L400193	39	26	L41853	75	04
072340	17	42	L10057	37		L400207	21		L42342	119	
072340	69	42	L10057	37		L400207	23		L42342	17	
072340	73	38	L10057	139	11	L400207	21		L42797	51	
072794	11	19	L10057	147	13	L400207	23		L42871	41	
072794	7	17	L10057	149	11	L400207	35	21	L42871	43	
072797	11	20	L10057	151	10	L400265	19	11	L42871	45	
072797	7	18	L10057	153	10	L400270	19	12	L42871	49	
072798	11	21	L10057	155	11	L400279	17	38	L42871	51	
072798	7	19	L10057	157	10	L400333	21		L42871	51	
078849	129	11	L10057	159	10	L400398	109	03	L42871	51	
078850	129	09	L10057	161	11	L400425	41	05	L42871	55	
078936	125	21	L10057	163	11	L400425	43	05	L42872	53	
080313	169	06	L10057	165	10	L400425	45	12	L42910	15	18
080313	169	06	L10057	169	01	L400425	47	05	L430011	109	12
080313	171	07	L10057	171	01	L400425	49	05	L430011	207	
080313	177	07	L10057	171	08	L400425	53	18	L43221	23	14
080319	131	06	L10057	177	10	L400425	55	08	L43964	17	
082346	9	27	L10057	49	03	L400935	89	14	L43964	17	
089069	17		L10151	19		L40277	27	12	L43965	17	
089069	69	21	L10151	19		L40347	101	06	L43966	17	21
089069	73	17	L10465	137		L40417	17	34	L44200	119	
089069	81	08	L10465	145	01	L40417	67	21	L442001	89	05
089069	83	07	L10465	27		L40417	71	17	L442004	87	13
089070	17		L10465	139		L40496	17	04	L442007	87	03
089070	69		L10465	141		L40805	123	05	L442011	109	07
089070	73		L10465	143	13	L41122	65	01	L442015	129	01
089549	11	15	L10465	16	07	L41123	65	02	L442017	129	18
089550	11	07	L10465	47		L41127	65	08	L442022	89	10
089550	11	08	L10465	49		L41129	65	08	L444001	115	03
089550	11	10	L10465	55	25	L41179	129	10	L444001	117	02
089550	11	24	L120017	119	06	L41179	67	07	L444001	93	01
089550	11	27	L120017	17		L41179	69	07	L444001	95	03
089550	11	30	L120017	27	11	L41179	81	04	L444002	91	01
089550	11	31	L120021	125	30	L41179	83	03	L444002	93	19
089554	11	09	L120021	25	19	L41260	17	02	L444002	95	06
089605	11	28	L120022	125	16	L41261	17	03	L444002	95	14
089715	11	29	L120022	25	18	L41770	129		L444002	97	08
093475	5	04	L120027	21	09	L41770	19	06	L444002	99	09
093475	9	04	L120037	125	22	L41770	19	20	L444002	99	17
094951	5	12	L120041	125	05	L41770	21		L444002	101	
094951	9	12	L120047	127	02	L41770	21	29	L444002	101	13
65208	9	10	L120047	127	10	L41770	21	31	L444003	93	20
804485	55	29	L276911	107	16	L41770	23	23	L444003	99	01
804602	55	29	L276911	111	14	L41770	39	05	L444003	101	04
805333	55	29	L276911	115	26	L41847	67	32	L444004	105	
847282	55	29	L276911	207		L41847	69	32	L444004	109	01
847283	55	29	L276911	49	10	L41847	71	28	L444004	111	12
906213	3		L276911	53	05	L41847	73	28	L444004	115	16
906214	3		L277013	21		L41848	17	18	L444004	117	20
906317	3		L277013	23		L41848	67	31	L444004	87	19
906318	3		L277013	25		L41848	69	31	L444004	91	14
L 62722	25		L277013	65	25	L41848	71	27	L444004	93	09
L10057	119		L277244	78	03	L41848	73	27	L444008	107	07
L10057	137	01	L277244	78	04	L41852	17		L444008	115	18
L10057	141	12	L277615	31	26	L41852	67		L4445	75	07

Part No.	Page No.	Ref. No.	Part No.	Page No.	Ref. No.	Part No.	Page No.	Ref. No.	Part No.	Page No.	Ref. No.
L4445	77	05	L44620	95	04	L49327	23	03	L50056	15	
L4446	67	17	L448002	129	04	L49618	37	16	L50056	15	
L4446	69	17	L44859	19		L49619	21	19	L50056	15	27
L4446	71	13	L450002	119	23	L49619	37	15	L50056	17	
L4446	73	13	L450002	123	02	L49988A	157		L50056	17	
L4446	77	10	L450002	87	24	L49988A	39	02	L50056	17	
L445001	115	02	L45666	23	24	L49988A	99	31	L50056	17	
L445001	117	01	L45934	123	03	L49999	157	06	L50056	19	
L445001	87	10	L460001	23	04	L49999	159	11	L50056	21	
L445001	93	03	L46211	109	02	L49999	161	01	L50056	21	
L445001	93	15	L46572	17	11	L500175	11		L50056	21	
L445001	95	13	L46572	191	01	L500175	13		L50056	21	
L445001	97	01	L46865	179		L500175	3		L50056	21	
L445002	105		L46865	181	15	L500175	9		L50056	23	
L445002	107	02	L47212	29		L500198	51	02	L50056	23	
L445002	115	14	L47212	29		L500208	57	53	L50056	23	
L445002	117	12	L47212	119	25	L500213	43	01	L50056	23	
L445002	89	17	L47212	21		L500216	49	01	L50056	23	
L445002	91	09	L47212	23	25	L500218	51	06	L50056	25	
L445002	93	11	L47263	41	04	L500240	169	02	L50056	25	
L445002	97	04	L47263	43		L500241	169	09	L50056	25	
L445002	97	05	L47263	45		L500242	169	08	L50056	29	
L445002	99	19	L47263	49		L500284	38		L50056	29	
L445003	87	16	L47263	55		L500285	37	39	L50056	29	
L445003	91	05	L47265	41		L500300	187	19	L50056	31	
L445003	95	10	L47265	43		L500300	189	19	L50056	31	
L445003	97	06	L47265	45		L500321	167	02	L50056	33	
L445003	99	10	L47265	49		L500322	167	03	L50056	33	
L445003	101	02	L47265	55		L500323	167	04	L50056	35	
L445005	113	02	L47265	55		L500325	167	06	L50056	35	
L445006	109	05	L47275	119	15	L500326	167	07	L50056	35	
L445006	93	17	L47275	17		L500327	167	08	L50056	35	
L445006	99	08	L47405	71	40	L500328	167	09	L50056	39	
L445009	109	06	L47405	73	39	L500353	65		L50056	49	
L445009	111	02	L47419	125	13	L500364	173	02	L50056	75	
L445014	93	14	L47831	67	40	L500365	173	04	L50056	75	
L446017	99	22	L47831	69	40	L500366	173	06	L50056	77	
L446019	115	23	L47831	71	36	L500367	173	07	L50056	77	
L446019	117	15	L47831	73	36	L50050	129		L50056	19	
L446019	93	04	L47879	119	18	L50050	19		L50056	33	
L446019	97	02	L47879	17	20	L50050	25		L50061	119	
L446020	93	06	L48071	119	09	L50051	15		L50061	123	
L446024	109	04	L48182	78	07	L50051	15		L50061	15	
L446026	107	01	L48805	37	34	L50051	25		L50061	15	
L446026	115	19	L48806	149	09	L50051	25		L50061	15	
L446026	89	18	L48806	151	02	L50051	75		L50061	15	
L446026	99	03	L48809	39	03	L50051	77		L50061	17	
L446034	115	09	L48868A	137	03	L50055	17		L50061	21	
L446034	117	07	L48868A	139	02	L50055	17		L50061	27	
L446035	95	11	L48868A	141	03	L50055	27		L50061	27	
L446040	115	05	L48868A	143	09	L50056	125		L50061	31	
L446040	117	04	L48868A	145	08	L50056	15		L50061	35	
L446042	89	04	L48868A	147	09	L50056	15		L50061	75	
L446044	89	07	L48868A	157	01	L50056	15		L50061	77	
L446046	89	08	L48868A	159	02	L50056	15		L50061	119	
L446048	95	07	L48868A	161	09	L50056	15		L50072	129	
L446052	99	04	L49236	78	02	L50056	15		L50082	191	

Part No.	Page No.	Ref. No.	Part No.	Page No.	Ref. No.	Part No.	Page No.	Ref. No.	Part No.	Page No.	Ref. No.
L50082	191		L50145	25		L50230	15		L50277	33	
L50092	27		L50145	25		L50230	15		L50282	127	
L50092	35		L50147	33		L50230	15		L50283	15	
L50092	39		L50147	33		L50230	15		L50283	17	
L50123	191		L50147	33		L50230	15		L50286	21	
L50123	193		L50147	37		L50230	15		L50288	23	
L50136	129		L50147	37		L50230	17		L50289	51	
L50136	17		L50147	37		L50230	17		L50294	47	
L50136	17		L50147	37		L50230	21		L50309	119	
L50137	119		L50147	37		L50230	25		L50309	119	
L50137	21		L50147	39		L50230	25		L50311	37	
L50137	21		L50147	51		L50230	25		L50311	37	
L50139	21		L50147	39		L50230	25		L50312	35	
L50141	123		L50150	185		L50230	25		L50313	129	
L50141	15		L50151	123		L50230	25		L50313	129	
L50141	15		L50151	127		L50230	25		L50319	119	
L50141	15		L50151	16		L50230	25		L50319	15	
L50141	15		L50151	191		L50230	29		L50319	15	
L50141	15		L50151	193		L50230	61		L50333	23	
L50141	15		L50151	21		L50230	75		L50333	43	
L50141	15		L50151	23		L50230	75		L50361	27	
L50141	17		L50151	23		L50230	77		L50367	15	
L50141	21		L50151	119		L50230	77		L50367	19	
L50141	23		L50151	127		L50230	77		L50367	19	
L50141	23		L50152	127		L50230	123		L50367	25	
L50141	25		L50152	35		L50230	123		L50367	25	
L50141	25		L50152	51		L50245	23		L50367	31	
L50141	25		L50152	129		L50251	23		L50367	37	
L50141	25		L50155	119		L50251	15		L50367	39	
L50141	25		L50155	119		L50251	15		L50367	127	
L50141	25		L50155	119		L50251	15		L50371	39	
L50141	25		L50155	119		L50251	33		L50371	39	
L50141	25		L50155	129		L50251	33		L50371	51	
L50141	25		L50155	29		L50251	37		L50371	55	
L50141	25		L50155	29		L50251	37		L50371	55	
L50141	25		L50157	23		L50251	37		L50371	55	
L50141	25		L50158	119		L50251	37		L50371	55	
L50141	29		L50162	27		L50251	39		L50378	16	
L50141	31		L50202	17		L50251	35		L50379	51	
L50141	35		L50206	17		L50251	37		L50380	35	
L50141	35		L50206	35		L50251	75		L50383	35	
L50141	35		L50208	29		L50251	77		L50383	129	
L50141	35		L50208	29		L50251	77		L50383	15	
L50141	123		L50208	29		L50261	19		L50402	21	
L50141	25		L50208	29		L50261	19		L50402	21	
L50141	25		L50208	31		L50261	19		L50403	119	
L50143	189		L50208	31		L50261	23		L50403	23	
L50143	23		L50208	75		L50261	23		L50403	23	
L50143	23		L50208	77		L50261	39		L50403	33	
L50143	23		L50211	15		L50261	45		L50403	33	
L50143	33		L50211	15		L50261	45		L50403	33	
L50143	33		L50214	15		L50261	119		L50403	35	
L50143	33		L50214	25		L50273	23		L50403	35	
L50143	33		L50214	25		L50273	23		L50403	37	
L50143	61		L50226	15		L50273	35		L50403	37	
L50144	189		L50226	15		L50273	39		L50403	37	
L50145	127		L50226	29		L50273	39		L50403	39	
L50145	15		L50226	29		L50273	39		L50403	39	
L50145	179		L50226	29		L50273	45		L50403	39	
L50145	23		L50226	31		L50273	45		L50403	39	
L50145	27		L50226	31		L50273	45		L50403	39	
L50145	27		L50226	31		L50273	49		L50403	119	
L50145	29		L50226	31		L50275	21		L50403	17	
L50145	35		L50228	211		L50275	21		L50403	17	
L50145	65		L50228	211		L50275	27		L50403	37	
			L50228	25		L50275	27		L50417	15	
			L50228	25		L50275	27		L50417	17	
			L50228	25		L50275	37		L50418	25	
			L50228	35		L50275	37	13	L50418	25	
			L50230	125		L50275	49		L50463	27	
						L50275	49				

Part No.	Page No.	Ref. No.	Part No.	Page No.	Ref. No.	Part No.	Page No.	Ref. No.	Part No.	Page No.	Ref. No.
L50478	17		L50892	35		L520005	23		L530004	15	
L50491	35		L50892	45		L520005	27		L530004	25	
L50491	21		L50896	17		L520005	27		L530004	25	
L50519	21		L50896	17		L520005	33		L530004	25	
L50519	23		L50925	15		L520005	33		L530004	25	
L50519	27		L50925	31		L520005	35		L530004	25	
L50519	43		L50956	21		L520005	37		L530004	25	
L50519	43		L50956	27		L520005	37		L530004	25	
L50519	55		L510003	41		L520005	37		L530004	25	
L50535	21		L510003	53		L520005	39		L54002	15	30
L50561	23		L510003	45		L520005	39		L54314	95	05
L50561	55		L510003	49		L520005	39		L560003	27	
L50562	51		L510003	49		L520005	45		L560003	119	
L50607	17		L510003	55		L520005	45		L560003	39	
L50607	19		L510007	35		L520005	45		L561004	19	03
L50607	119		L510007	37		L520005	49		L561004	19	13
L50608	35	19	L510008	33		L520005	51		L570005	21	32
L50612	27		L510008	33		L520005	55		L570005	23	22
L50612	55		L510008	33		L520005	55		L570018	21	30
L50628	17		L510008	33		L520005	55		L570022	119	
L50631	16	26	L510027	35		L520005	65		L570023	99	14
L50640	39	21	L51098	125	04	L520007	35		L570023	101	10
L50669	55		L51098	125	12	L520007	119		L580008	19	15
L50705	127		L514001	17		L520007	15		L580009	19	01
L50705	127		L51493	93	07	L520007	15		L60253	99	12
L50718	45	03	L51561	91	16	L520007	37		L60302	15	25
L50722	129		L51572	107	11	L520007	37		L60302	193	
L50729	129	19	L51590	87	18	L520007	55		L60302	99	27
L50755	15		L51621	115	07	L520019	45		L60392	157	02
L50755	21		L51621	117	05	L520019	49		L60392	159	03
L50755	29		L51621	87	07	L520019	49		L60392	161	07
L50755	21		L51621	95	01	L520019	53		L60451	51	09
L50801	45		L51761	125	08	L520019	55		L60458	109	13
L50815	31		L51762	91	03	L520019	123		L60458	185	
L50815	49		L51762	99	26	L520019	21		L60458	51	07
L50815	49		L51781	125	11	L520019	21		L60492	127	05
L50815	49		L51814	111	01	L520019	23		L60492	127	13
L50815	49		L51814	115	20	L520019	23		L60523	203	
L50815	53		L51827	129	05	L520019	27		L60523	87	28
L50823	15		L5200019	45		L520019	35		L60523	93	25
L50823	23		L520003	129		L520019	41		L60523	99	28
L50823	29		L520003	15		L520019	45		L60528	53	19
L50823	33		L520003	21		L520019	51		L60535	17	15
L50823	25		L520003	51		L52007	15		L60539	75	10
L50833	119		L520004	21		L52007	15		L60539	77	08
L50835	123		L520004	23		L52024	15	25	L60588	89	22
L50835	17		L520004	35		L52024	17		L60653	101	02
L50835	49		L520004	49		L52025	29		L60653	95	15
L50836	23		L520004	49		L52026	17		L60653	99	15
L50836	33		L520004	49		L52026	19		L60847	87	01
L50836	55		L520004	53		L52026	19		L60857	15	17
L50836	65		L520004	53		L52026	39		L60936	5	17
L50837	15		L520005	127		L530003	21		L60936	9	17
L50837	27		L520005	19		L530003	21		L60961	41	04
L50841	51		L520005	19		L530004	15		L60961	45	11
L50875	119		L520005	19		L530004	15		L60961	47	13
L50875	43		L520005	21		L530004	15		L60961	49	13

Part No.	Page No.	Ref. No.	Part No.	Page No.	Ref. No.	Part No.	Page No.	Ref. No.	Part No.	Page No.	Ref. No.
L60986	87	11	L61866	151	08	L62581	7		L630001	69	03
L61001	45		L61866	171	06	L62582	11		L630001	71	03
L61001	49	13	L61867	21	10	L62582	7		L630001	73	03
L61001	55		L61878	201		L62583	11	05	L630003	21	24
L61001	41		L61878	21	22	L62583	7	05	L630004	19	21
L61021	127	06	L61878	93	23	L62715	35	11	L630004	21	26
L61039	89	24	L61878	95	18	L62715	35	32	L63017	155	02
L61064	31	24	L61942	35	38	L62715	37	21	L63018	153	08
L61080	31	13	L620002	21	03	L62715	37	23	L63018	155	08
L61081	31	23	L620002	69	01	L62715	37	27	L63153	55	18
L61085	31	11	L620002	69	01	L62715	37	30	L63157	55	20
L61086	31	12	L620002	71	01	L62715	37	30	L63158	55	19
L61115	75	09	L620002	73	01	L62715	39	14	L63158	55	19
L61115	77	07	L620002	73	01	L62715	39	18	L63166	55	13
L61117	21	02	L62025	31		L62720	25		L63167	55	14
L61136	123	06	L62026	35	38	L62720	25		L63222	59	
L61147	75	08	L62032	23	19	L62721	21		L63284	77	14
L61147	77	06	L62232	195	09	L62721	25		L63335	77	13
L61189	78	09	L62277	17	08	L62721	25		L63335	79	07
L61190	29	12	L62277	67	33	L62722	21		L63335	81	06
L61190	78	08	L62277	67	42	L62722	25		L63335	83	05
L61195	31		L62277	69	33	L62731	37		L63468	49	02
L61198	29	09	L62277	69	41	L62731	37	25	L63596	73	43
L61198	78	06	L62277	71	29	L62731	37	32	L63597	69	44
L61198	81	10	L62277	71	38	L62732	37	29	L63597	73	45
L61198	83	09	L62277	73	29	L62733	37	33	L63602	213	05
L61199	29	10	L62277	73	37	L62733	37	36	L63606	67	24
L61200	29	11	L62320	195	18	L62733	39	04	L63606	69	24
L61287	45		L62320	197	16	L62734	35	12	L63606	71	20
L61307	45	13	L62389	15		L62734	35	34	L63606	73	20
L61317	105		L62427	15	32	L62734	37	07	L63607	67	28
L61317	169		L62427	17	39	L62734	37	37	L63607	69	28
L61317	45	14	L62427	195	20	L62734	37	37	L63607	69	28
L61411	51	04	L62427	195	20	L62734	39	13	L63607	71	24
L61462	91	19	L62459	15	12	L62734	39	16	L63607	73	24
L61462	17	07	L62484	17	22	L62741	89	16	L63610	17	24
L61462	211		L62553	97	11	L62814	75	06	L63610	67	09
L61699	37	04	L62553	15	24	L62814	77	04	L63610	69	09
L61704	37	06	L62553	191		L62831	23	05	L63610	71	05
L61704	37	20	L62553	87	29	L62831	87	23	L63610	73	05
L61708	35	31	L62553	95	20	L62834	17	16	L63634	15	29
L61708	37	22	L62553	99	32	L62834	89	26	L63640	17	26
L61708	37	28	L62573	11	04	L62834	93	27	L63640	67	39
L61709	35	33	L62573	7	04	L62840	17		L63640	69	39
L61709	35	35	L62574	11		L62840	89		L63640	71	35
L61709	37	05	L62574	7		L62840	93		L63640	73	35
L61709	37	12	L62575	11		L62861	15	31	L63665	123	11
L61709	37	19	L62575	7		L62900	101	01	L63688	17	40
L61709	37	24	L62576	11		L62933	17	16	L63689	17	41
L61709	37	26	L62576	7		L62933	89		L63690	5	25
L61709	37	35	L62577	11		L62933	93		L63690	9	25
L61709	39	12	L62577	7		L62943	87	05	L63699	17	
L61709	39	15	L62578	11		L62946	93	12	L63699	17	
L61709	39	17	L62578	7		L62951	16	01	L63699	73	16
L61709	45	07	L62578	11		L62955	119	21	L63699	75	03
L61833	89	03	L62579	11		L62997	57	24	L63699	77	02
L61866	149	03	L62579	7		L62998	89	09	L63699	79	08
			L62580	7		L630001	21	25	L63699	81	05
			L62581	11		L630001	67	03	L63699	83	04

Part No.	Page No.	Ref. No.	Part No.	Page No.	Ref. No.	Part No.	Page No.	Ref. No.	Part No.	Page No.	Ref. No.
L63715	103	04	L64089	71	41	L64282	91	10	L64364	35	25
L63715	49	15	L64089	73	40	L64284	99	11	L64364	35	30
L63715	55	04	L64090	67	29	L64285	91	08	L64364	37	17
L63716	103	03	L64090	69	29	L64286	91	06	L64364	37	31
L63716	49	16	L64090	71	25	L64287	91	15	L64364	39	10
L63716	55	03	L64090	73	25	L64288	91	11	L64364	39	19
L63887	15		L64100	119	01	L64288	113	03	L64367	143	10
L63937	77	03	L64111	15		L64289	91	04	L64367	145	09
L63951	49	17	L64113	35	07	L64290	91	02	L64367	147	10
L63970	173		L64122	169	03	L64291	89	19	L64367	163	09
L63970	49		L64122	169	03	L64292	91	13	L64367	165	09
L63994	49	12	L64124	119	02	L64293	101	07	L64378	37	40
L63995	49	07	L64124	129	14	L64294	105		L64383	39	
L63995	49	08	L64124	15	20	L64294	109	08	L64384	35	26
L64012	11	26	L64124	15	21	L64294	111	11	L64385	95	19
L64012	7	25	L64124	15	33	L64294	99	25	L64385	143	
L64034	17		L64124	15	34	L64295	99	20	L64385	35	23
L64039	123		L64132	35	3	L64296	111	05	L64385	37	11
L64041	19		L64165	37		L64296	99	23	L64401	23	18
L64044	127	07	L64165	37		L64297	97	03	L64401	97	10
L64047	123		L64175	133	03	L64299	99	05	L64401	137	
L64052	21	14	L64175	135	01	L64303	107	09	L64411	15	28
L64055	123		L64175	169	05	L64303	99	24	L64424	17	09
L64056	21	15	L64179	199		L64304	115	06	L64426	17	10
L64056	23	10	L64179	21	21	L64304	87	14	L64428	17	14
L64060	35	09	L64179	87	31	L64305	107	10	L64429	17	37
L64061	35	37	L64179	91	17	L64305	93	18	L64437	67	38
L64078	17	31	L64179	93	22	L64306	93	05	L64437	69	38
L64078	67	15	L64196	15		L64307	87	20	L64437	71	34
L64078	69	15	L64197	119	03	L64308	101	05	L64437	73	34
L64078	71	11	L64197	129	15	L64309	99	07	L64442	35	22
L64078	73	11	L64197	15		L64316	95	12	L64443	37	09
L64079	17		L64197	15		L64318	119	22	L64451	129	13
L64079	67	41	L64197	15		L64320	87	22	L64452	15	05
L64079	71	37	L64218	23	01	L64321	87	08	L64454	15	10
L64080	35	13	L64256	21	04	L64323	115	10	L64455	15	
L64081	69	45	L64257	21	08	L64323	117	08	L64457	119	04
L64081	71	42	L64258	21		L64323	95	02	L64457	119	05
L64081	73	41	L64264	21	33	L64324	87	06	L64457	17	13
L64083	23		L64267	89	21	L64325	99	02	L64463	119	17
L64083	97		L64267	93	08	L64326	25	20	L64463	19	16
L64083	139		L64268	89	11	L64326	65	24	L64464	119	10
L64084	145		L64269	89	06	L64327	101	09	L64466	35	28
L64084	35		L64270	91	12	L64328	93	16	L64466	39	09
L64084	37		L64271	99	18	L64329	87	12	L64467	39	11
L64085	93	26	L64272	87	21	L64330	93	13	L64468	35	27
L64085	95		L64273	89	15	L64331	87	15	L64469	15	23
L64085	135		L64274	89	01	L64350	35	01	L64490	37	
L64086	99		L64275	95	17	L64359	35	29	L64490	37	
L64086	159		L64275	97	07	L64359	39	08	L64498	37	01
L64086	39		L64276	95	16	L64360	37	14	L64523	17	06
L64087	151		L64276	97	09	L64362	21	23	L64523	183	
L64087	23		L64276	99	16	L64362	67	02	L64523	87	30
L64087	23	13	L64277	101	03	L64362	69	02	L64523	91	20
L64087	35	08	L64279	99	13	L64362	71	02	L64524	91	07
L64087	99	30	L64280	93	10	L64362	73	02	L64525	93	21
L64087	149		L64281	87	17	L64363	23	11	L64525	119	19

Part No.	Page No.	Ref. No.	Part No.	Page No.	Ref. No.	Part No.	Page No.	Ref. No.	Part No.	Page No.	Ref. No.
L64550	35	20	L64720	25	14	L64890	69	19	L64994	129	13
L64551	27	05	L64721	25	12	L64890	71	15	L64995	129	13
L64551	39	06	L64724	25	09	L64890	73	15	L650004	17	32
L64553	39	01	L64727	25	04	L64898	21	12	L650004	67	23
L64559	39	27	L64737	35	06	L64901	61	16	L650004	69	23
L64560	39	20	L64738	25	02	L64902	15	14	L650004	71	19
L64561	41	03	L64748	123	09	L64911	27	03	L650004	73	19
L64561	45		L64764	127	03	L64914	27	02	L650004	75	05
L64561	49	04	L64765	19	07	L64915	27	06	L650004	77	05
L64562	101	08	L64770	19	02	L64931	11	23	L650004	79	10
L64563	99	06	L64771	15	26	L64934	37	18	L650004	85	03
L64568	67	08	L64772	19	08	L64935	37		L650005	75	
L64568	69	08	L64774	19	04	L64938	27	08	L650005	78	
L64568	71	04	L64795	119	20	L64943	15	13	L650005	17	33
L64568	73	04	L64795	67	11	L64945	5	18	L650012	17	23
L64572	127	07	L64795	69	11	L64945	9	18	L650012	67	36
L64580	35	17	L64795	71	07	L64947	25	01	L650012	69	36
L64582	65	32	L64795	73	07	L64949	35	04	L650012	71	32
L64582	89	12	L64797	5	19	L64951	35	02	L650012	73	32
L64583	17	36	L64797	9	19	L64961	16		L65015	11	25
L64585	35	18	L64810	5	08	L64963	27	01	L65018	127	01
L64589	23	15	L64810	9	08	L64964	27	09	L65025	127	08
L64590	35	14	L64812	5	09	L64968	115	25	L65066	27	16
L64591	23	16	L64812	9	09	L64968	117	17	L65069	27	15
L64591	35	10	L64814	5	20	L64968	163		L65073	27	13
L64599	87	04	L64814	9	20	L64969	163	08	L65097	39	25
L64600	23	26	L64815	9	15	L64969	165	11	L65098	39	
L64601	119	08	L64816	9	16	L64970	67	22	L65103	27	10
L64602	119	07	L64817	133	06	L64970	69	22	L65110	125	02
L64619	23	02	L64817	135	04	L64970	71	18	L65115	127	
L64621	35	15	L64818	93		L64970	73	18	L65115	127	12
L64633	89	13	L64818	133		L64970	81	13	L65135	125	03
L64643	5	23	L64821	127	04	L64970	83	12	L65138	27	17
L64643	9	23	L64830	21	16	L64971	67	30	L65138	5	26
L64644	35		L64837	21	17	L64971	69	30	L65138	9	26
L64646	67	10	L64841	15	11	L64971	71	26	L65139	27	14
L64646	69	10	L64846	21	11	L64971	73	26	L65142	23	06
L64646	71	06	L64848	89	02	L64972	67	05	L65144	23	07
L64646	73	06	L64851	23	12	L64972	69	05	L65149	45	02
L64656	17	05	L64856	87	09	L64973	67	04	L65151	45	
L64660	107	06	L64856	87	26	L64973	67	06	L65159	45	06
L64660	99	21	L64863	125	10	L64973	69	04	L65176	175	24
L64661	37	10	L64864	125	09	L64973	69	06	L65176	117	16
L64663	19	19	L64865	15	01	L64980	25		L65176	197	
L64664	19	18	L64874	107	04	L64981	25		L65176	27	18
L64672	21	34	L64874	111	07	L64982	25		L65180	45	04
L64672	29	13	L64874	113	05	L64983	25		L65181	45	09
L64673	25		L64875	107	03	L64984	25		L65195	9	
L64673	25		L64875	111	06	L64985	25	16	L65198	5	
L64673	21	06	L64875	115	11	L64986	15	15	L65198	9	11
L64673	25	17	L64875	117	09	L64987	67	18	L65199	127	11
L64692	25	15	L64886	137	02	L64987	69	18	L65200	115	13
L64693	25	03	L64886	141	02	L64987	71	14	L65200	117	11
L64693	25	15	L64889	17		L64987	73	14	L65201	115	17
L64695	25	07	L64889	57		L64987	77	11	L65201	117	19
L64696	25	08	L64890	19	09	L64991	119	14	L65202	115	04
L64701	25	13	L64890	67	19	L64992	35	03	L65202	117	03

Part No.	Page No.	Ref. No.	Part No.	Page No.	Ref. No.	Part No.	Page No.	Ref. No.	Part No.	Page No.	Ref. No.
L65203	115	08	L65435	75	01	L65921	11	18	L66157	129	03
L65203	117	06	L65435	78	01	L65921	7	16	L66164	67	34
L65205	115	12	L65438	5		L65922	5	14	L66164	71	30
L65205	117	10	L65438	9		L65922	9	14	L66164	73	30
L65207	5		L65440	5	13	L65923	5	22	L66215	43	02
L65207	9		L65440	9	13	L65923	9	22	L66215	45	08
L65208	5	10	L65447	29	18	L65924	11	14	L66215	49	06
L65211	23		L65448	125	06	L65924	7	11	L66265	123	10
L65211	23		L65481	31	17	L65925	5	24	L66341	29	
L65212	95	09	L65506	23	27	L65925	9	24	L66342	29	01
L65213	95	08	L65512	5	27	L65926	11	06	L66392	23	15
L65223	41	03	L655121	9	28	L65926	7	06	L66406	41	04
L65223	45	10	L65518	17		L65927	11	03	L66406	43	04
L65223	55	21	L65556	115	27	L65927	13	01	L66406	45	11
L65224	9	21	L65556	117	18	L65927	7	03	L66406	55	
L65226	61	14	L65556	205		L65928	11	16	L66406	49	13
L65256	49	12	L65557	115	15	L65928	5	02	L66414	123	08
L65262	49	11	L65557	117	13	L65928	7	14	L66427	17	30
L65263	49	02	L65568	129		L65928	9	02	L66427	67	16
L65264	47	01	L65569	115	21	L65929	5	06	L66427	67	35
L65272	137		L65569	117	14	L65929	9	06	L66427	69	16
L65272	139		L65570	129	12	L65930	5	05	L66427	71	12
L65272	143		L65583	111	03	L65930	9	05	L66427	71	31
L65272	145		L65593	31	21	L65931	7	21	L66427	73	12
L65272	147		L65594	5		L65932	11	12	L66427	73	31
L65272	157		L65594	9		L65932	7	09	L66437	17	27
L65272	165		L65610	17	28	L65933	11	11	L66437	67	37
L65272	141		L65611	107	08	L65933	7	08	L66437	69	37
L65272	161		L65638	35		L65934	5	01	L66437	71	33
L65272	163		L65640	35		L65934	9	01	L66437	73	33
L65273	101	15	L65648	5		L65937	11	02	L66438	17	25
L65273	103	05	L65648	9		L65937	7	02	L66438	67	43
L65273	105		L65657	49	07	L65948	5	07	L66438	71	39
L65273	107	12	L65658	49	08	L65948	9	07	L66441	87	25
L65273	109	09	L65659	107	15	L65954	93	14	L66441	95	21
L65273	111	08	L65659	49	09	L66010	15	09	L66441	97	12
L65273	113	06	L65673	107	05	L66011	15	08	L66441	99	29
L65277	45	01	L65684	213		L66017	105	05	L66441	101	14
L65298	29	17	L65684	21	20	L66020	129		L66441	187	
L65301	31	14	L65684	67	27	L66032	23		L66441	23	20
L65316	31	01	L65684	69	27	L66032	99		L66443	16	02
L65325	29	03	L65684	71	23	L66032	153		L66444	16	
L65338	51	10	L65684	73	23	L66032	35		L66445	16	
L65342	29	06	L65684	91		L66034	35		L66453	39	23
L65344	31	22	L65689	49		L66035	23		L66456	39	28
L65346	29	02	L65724	111	04	L66042	13	03	L66465	75	14
L65348	13	02	L65771	115		L66042	5	03	L66465	78	10
L65366	31	27	L65772	115	22	L66042	9	03	L66466	75	13
L65370	17	29	L65773	115	01	L66045	21		L66467	75	12
L65393	15	02	L65779	93	12	L66045	21	27	L66485	55	05
L65410	15	07	L65793	51	12	L66045	23		L66485	55	11
L65411	15	06	L65882	29	15	L66064	93	13	L66490	55	01
L65412	15	03	L65896	25		L66118	129	02	L66493	55	02
L65412	15	04	L65911	25		L66122	91	11	L66498	55	10
L65432	75	11	L65919	27	19	L66132	91	10	L66502	123	
L65432	77	09	L65920	11	13	L66133	91	02	L66515	123	
L65435	15	27	L65920	7	10	L66137	91	04	L66515	123	

Part No.	Page No.	Ref. No.	Part No.	Page No.	Ref. No.	Part No.	Page No.	Ref. No.	Part No.	Page No.	Ref. No.
L66516	75	02	L66666	99		L66821	141		L66997	79	05
L66520	127		L66666	155		L66821	23	18	L67425	15	
L66521	123		L66666	23		L66821	35	16	L67425	15	
L66522	123		L66666	35		L66821	97		L67430	31	04
L66523	119		L66669	55	24	L66823	77	01	L67628	33	02
L66523	19		L66675	33	04	L66823	79	11	L67628	81	01
L66527	25	05	L66678	33	11	L66824	79	04	L67629	33	12
L66529	55	12	L66678	81	07	L66825	15		L67638	33	13
L66533	55	23	L66678	83	06	L66828	77	12	L67655	33	05
L66534	55	16	L66679	33	08	L66834	69	35	L68003	153	09
L66537	113	01	L66679	81	09	L66835	69	43	L68052	5	15
L66537	177		L66679	83	08	L66835	73	46	L68054	85	04
L66537	55	06	L66681	129	13	L66843	29	09	L68056	73	44
L66542	119		L66687	33	07	L66843	79	09	L68083	7	22
L66544	129		L66688	33	10	L66844	77	01	L68313	195	
L66545	129		L66689	33	09	L66844	79	11	L68313	87	27
L66547	33	06	L66692	33	01	L66849	79	03	L68313	93	24
L66563	93	02	L66709	123	12	L66850	79	01	L68461	33	
L66564	67	26	L66720	25		L66850	81	12	L68461	83	01
L66564	69	26	L66720	25		L66850	83	11	L68463	33	
L66564	71	22	L66721	25	10	L66851	81	14	L68513	5	16
L66564	73	22	L66723	25	11	L66853	81	15	L68513	9	29
L66565	7	23	L66725	25	05	L66853	83	14	L68539	123	
L66567	7	12	L66725	25	06	L66855	29	14	L68544	127	
L66568	7	24	L66731	119		L66855	85		L68547	119	
L66569	11	01	L66731	89		L66866	33	17	L68554	129	
L66569	7	01	L66731	93		L66867	33	15	L68557	129	
L66579	7	07	L66731	181		L66868	33	16	L68564	119	11
L66582	5	21	L66733	31		L66869	33	14	L68565	119	12
L66584	7	13	L66735	29		L66877	123	07	L68567	9	11
L66588	33		L66736	17		L66912	125	01	L68569	33	
L66588	33	03	L66739	25		L66918	43	06	L68571	19	
L66594	125	07	L66739	25		L66919	43	03	L68580	123	
L66597	55	17	L66741	25		L66920	103	08	L68613	129	06
L66606	119	16	L66745	23	09	L66920	167		L68638	17	07
L66606	19	17	L66753	183		L66920	43	09	L68638	67	25
L66613	11	17	L66753	87		L66921	43		L68638	69	25
L66613	7	15	L66753	91		L66931	43	07	L68638	71	21
L66615	41	02	L66756	37	08	L66942	115		L68638	73	21
L66615	51	01	L66756	39	29	L66942	117		L68666	59	31
L66615	51	05	L66757	37		L66942	197		L68668	59	29
L66615	51	13	L66757	39		L66942	27		L68669	59	29
L66615	55	22	L66758	37	03	L66946	51	08	L68670	59	29
L66626	59	24	L66758	39	07	L66948	43	08	L69166	129	17
L66642	117		L66760	37	02	L66949	103	01	L69997	89	20
L66642	115		L66770	95		L66950	103	02	L70200	69	34
L66642	165		L66770	147		L66961	29		L70655	169	
L66642	27	04	L66770	35		L66963	85	07	L70655	45	
L66658	15		L66770	37		L66970	33		L71204	37	
L66659	15		L66780	39	12	L66975	33		L71205	37	
L66660	29	04	L66782	39	13	L66978	83	13	L71205	37	
L66661	29	07	L66783	39		L66986	29		L71206	37	
L66662	31	05	L66814	19		L66986	79	06	L72175	21	28
L66663	31	03	L66814	57		L66986	81	11	L72350	87	02
L66665	99		L66814	87	32	L66986	83	10	L80292	55	26
L66665	161		L66814	89	25	L66993	29		L80293	55	27
L66665	39		L66815	19	07	L66997	31	15	L80343	55	07

Part No.	Page No.	Ref. No.	Part No.	Page No.	Ref. No.	Part No.	Page No.	Ref. No.	Part No.	Page No.	Ref. No.
L806001	19	05	L96928	191	07	L97356	189		L97693	57	
L806001	19	14	L96928	193	07	L97356	189		L97701	57	23
L80844	55	15	L96929	193	12	L97357	189	06	L97701	67	14
L810005	23	17	L96931	193		L97358	189	07	L97701	71	10
L810005	27	07	L96932	193		L97359	189		L97706	131	03
L810005	45		L96933	193	11	L97360	189	12	L97711	137	06
L81429	55	09	L96989	123	04	L97361	189		L97712	137	05
L81431	55		L96993	191	10	L97361	189		L97712	141	05
L81432	55		L96994	191	11	L97361	189		L97713	143	06
L81433	55		L96995	191	12	L97361	189		L97714	143	11
L81434	55		L96996	191	21	L97361	189		L97715	149	02
L82174	55	28	L96997	191	22	L97362	189	17	L97716	157	11
L82175	55		L96999	191	18	L97368	189	13	L97717	157	05
L82358	51	11	L96999	193	22	L97369	189		L97745	21	07
L82450	169	05	L97001	191	20	L97370	189	14	L97746	21	05
L88372	65	12	L97019	203	03	L97382	65		L97765	61	06
L88976	129		L97020	203	10	L97489	23		L97766	61	04
L93038	65	28	L97041	193	08	L97574	189		L97767	169	09
L93067	16	04	L97042	193	14	L97579	191	17	L97768	169	08
L93068	16		L97108	59	03	L97579	193	21	L97769	169	02
L93097	59	22	L97109	59	05	L97580	191	19	L97780	61	
L93101	59	20	L97111	57	25	L97580	193	20	L97781	16	
L93103	59	17	L97113	59	09	L97581	191	23	L97782	65	11
L93129	59	06	L97122	59	18	L97582	191		L97783	65	
L93140	16	24	L97123	59	19	L97583	191	14	L97784	65	
L93143	113	04	L97124	59	21	L97584	191	08	L97791	65	06
L93777	59	02	L97126	59	23	L97585	191	04	L97792	65	04
L93970	59		L97127	59	07	L97609	211	01	L97795	65	09
L93971	59		L97128	59	04	L97631	191		L97796	65	10
L93972	59	30	L97134	16	03	L97631	193		L97797	65	07
L94331	209	03	L97135	16	11	L97633	193	03	L97799	65	12
L94332	209	02	L97136	63	08	L97634	193	01	L97800	65	14
L94467	211	19	L97153	61	03	L97641	16	16	L97801	65	20
L94468	211	12	L97155	16	08	L97642	16		L97802	65	21
L94580	125	20	L97157	61	08	L97643	16	17	L97803	65	16
L94746	129		L97158	61	09	L97644	16	06	L97804	65	18
L94746	129	11	L97160	61	11	L97645	59	01	L97805	65	17
L96738	59	16	L97161	61	12	L97646	16	25	L97806	149	06
L96744	59	11	L97162	61		L97649	131		L97806	65	19
L96838	137		L97162	61	18	L97654	199	06	L97807	65	15
L96838	141		L97163	61	13	L97655	199	03	L97808	65	22
L96838	143		L97286	201	04	L97659	197	05	L97809	65	22
L96838	145		L97299	195	04	L97662	195	10	L97810	65	23
L96838	147		L97328	61	15	L97662	197	08	L97811	65	31
L96838	157		L97329	16	22	L97664	211	03	L97812	65	
L96838	159		L97330	16	21	L97665	179	02	L97813	65	
L96838	161		L97331	16	20	L97671	183		L97814	65	
L96838	139		L97340	16	12	L97676	133	01	L97815	65	26
L96851	191	06	L97341	16	10	L97682	143	05	L97820	133	07
L96851	193	06	L97345	61	10	L97688	57	04	L97821	133	08
L96852	191	03	L97346	61		L97689	57	05	L97839	169	07
L96853	191	02	L97349	189	01	L97690	57	15	L97839	169	07
L96911	193	05	L97350	189	02	L97690	67	13	L97843	16	01
L96920	193	02	L97351	187		L97690	69	13	L97844	16	
L96923	193	23	L97354	189	04	L97690	71	09	L97847	16	05
L96924	193	18	L97354	189	08	L97690	73	09	L97849	16	19
L96925	193	17	L97355	189	05	L97693	57		L97851	16	15




Part No.	Page No.	Ref. No.	Part No.	Page No.	Ref. No.	Part No.	Page No.	Ref. No.	Part No.	Page No.	Ref. No.
L97852	16	18	L97917	151	01	L98023	65	29	L98853	177	05
L97853	16	14	L97917	153	03	L98026	65	13	L98854	177	06
L97854	16	13	L97918	151	04	L98027	65	03	L98861	13	
L97855	16	09	L97918	153	02	L98028	189	09	L98861	3	
L97855	65	30	L97919	151	05	L98029	189	11	L98861	5	
L97856	59	27	L97919	153	06	L98044	191	05	L98861	7	
L97857	59	28	L97920	151	06	L98046	211	15	L98869	31	18
L97858	59	26	L97921	151	07	L98049	189		L98894	187	
L97858	61	17	L97922	159	01	L98049	189		L98901	17	35
L97859	16		L97923	159	05	L98049	189		L98978	129	
L97860	16		L97924	159	08	L98072	57	06	L98981	155	04
L97864	59	08	L97925	159	06	L98117	135	08	L98982	155	05
L97866	59	10	L97926	159	07	L98119	137	10	L98983	155	06
L97868	59	12	L97935	163	01	L98127	195	11	L98984	155	07
L97869	59	13	L97936	163	03	L98128	195	12	L98988	161	10
L97870	59	14	L97937	163	04	L98150	189	18	L98989	161	03
L97871	59	15	L97938	163	05	L98478	35		L98990	161	04
L97884	139	01	L97939	163	06	L98479	35		L98991	161	05
L97885	139	09	L97940	163	07	L98562	149	01	L98992	161	06
L97885	141	11	L97943	183	10	L98563	149	12	L99002	183	
L97885	137	11	L97953	171	03	L98568	23		L99003	35	24
L97886	137	07	L97954	171	04	L98592	153	05	L99003	37	02
L97886	141	07	L97955	171	05	L98600	129	09	L99003	37	03
L97887	137	08	L97956	35	05	L98602	129	09	L99003	37	08
L97888	137	09	L97959	195	14	L98615	31		L99003	39	07
L97888	143	02	L97959	197	13	L98626	189		L99004	35	
L97889	133		L97963	5	11	L98626	189		L99004	37	
L97889	135		L97976	131		L98628	153	01	L99004	37	
L97889	163		L97977	131		L98646	125		L99004	37	
L97889	169		L97978	131	05	L98648	125	14	L99004	39	
L97889	165		L97978	131		L98662	173	03	L99051	147	05
L97889	169		L97979	53	01	L98674	207	01	L99052	147	04
L97891	143	03	L97980	53	02	L98675	207	10	L99053	147	07
L97892	143	04	L97981	53		L98702	39	22	L99054	147	03
L97893	149	05	L97982	111	13	L98703	39		L99055	147	08
L97894	143	07	L97982	175		L98706	99		L99056	147	02
L97895	143	08	L97982	53	03	L98706	189		L99057	147	11
L97897	149	07	L97983	53	04	L98706	87		L99059	165	01
L97898	149	08	L97984	53	07	L98706	95		L99060	165	04
L97899	157	04	L97985	53	09	L98706	97		L99061	165	05
L97900	157	12	L97986	53	12	L98706	101		L99062	165	06
L97901	157	07	L97987	53	13	L98707	189		L99063	165	07
L97902	157	08	L97988	53	15	L98707	99		L99064	165	08
L97903	135	03	L97989	53	17	L98707	87		L99073	155	10
L97904	135	05	L97991	53	16	L98707	95		L99074	169	10
L97905	135	06	L97992	53	14	L98707	97		L99074	169	10
L97906	135	07	L97993	53	10	L98707	101		L99075	171	02
L97907	139	04	L97995	175	02	L98712	21	20	L99078	31	06
L97908	139	05	L97996	175	03	L98726	127	09	L99079	123	
L97909	139	06	L97997	175	07	L98741	189	10	L99080	133	09
L97910	139	07	L97998	175	08	L98745	187	03	L99082	187	04
L97910	145	03	L97999	175	05	L98845	57	50	L99083	187	05
L97911	139	08	L98006	205		L98848	177	08	L99084	187	06
L97913	145	04	L98007	205		L98849	177	01	L99085	187	08
L97914	145	05	L98008	205		L98850	177	02	L99086	187	09
L97915	145	06	L98009	205		L98851	177	03	L99087	187	11
L97916	145	07	L98019	65	05	L98852	177	04	L99087	187	12




Part No.	Page No.	Ref. No.	Part No.	Page No.	Ref. No.	Part No.	Page No.	Ref. No.	Part No.	Page No.	Ref. No.
L99088	187		L99147	59	32	L99219	71	16	L99405	149	10
L99089	187	14	L99150	16	27	L99220	133	10	L99405	151	09
L99090	187	17	L99151	16	28	L99221	61	29	L99405	153	07
L99093	187		L99157	31		L99222	45		L99405	157	09
L99094	187		L99161	129	06	L99223	45	05	L99405	163	10
L99110	31	20	L99166	25		L99235	51	03	L99405	165	03
L99113	19	10	L99167	29		L99244	15	16	L99406	147	12
L99113	57		L99186	195	21	L99245	57		L99408	57	02
L99115	89	23	L99186	197	20	L99245	67		L99409	57	
L99115	179		L99190	41	01	L99245	69	14	L99410	57	01
L99120	141	08	L99191	41	01	L99245	71		L99411	57	03
L99121	141	10	L99194	195	16	L99245	73	10	L99419	33	
L99122	137	12	L99194	197	09	L99318	29	08	L99420	129	
L99122	141	01	L99195	197	06	L99329	141	06	L99428	131	
L99122	161	08	L99199	61		L99330	155	01	L99428	65	23
L99123	141	09	L99200	197	10	L99335	57		L99428	91	18
L99124	33		L99201	197	11	L99376	147	06	L99430	131	
L99125	31	09	L99202	197	12	L99377	161	12	L99430	131	
L99126	31	10	L99208	75		L99382	133	05	L99432	131	
L99127	31	07	L99208	77		L99392	181		L99432	63	23
L99129	31	08	L99209	57		L99393	181	07	L99432	91	18
L99134	35	24	L99210	57		L99394	181	08	L99433	123	
L99135	35		L99214	139	10	L99395	181	13	L99434	127	
L99137	29	05	L99214	155	09	L99398	133		L99831	187	02
L99138	29	02	L99215	143	12	L99398	135		L99831	187	16
L99138	31	14	L99215	185		L99398	169		L99899	187	18
L99140	31	02	L99216	185		L99398	169		L99944	173	05
L99141	31	16	L99217	185		L99402	57	51	L99946	127	14
L99142	31	19	L99219	17	17	L99403	57	52	L99952	131	03
L99143	31	19	L99219	17	19	L99405	133	02	L99953	131	03
L99144	31	19	L99219	67	20	L99405	135	09	L99958	167	05
L99145	31	19	L99219	69	20						

Size & Description	Part No.	Size & Description	Part No.
#10 L	L50136	7/16 L	L50150
#10-24 N	L50896		
#10-32 N	L50050	1/2 L	L50152
		1/2-13 N	L50072
1/4 L	L50139	1/2-13 NIN	L520019
1/4-28 N	L50055		
1/4 P	L50137	5/8 L	L50156
1/4-20 SFN	L50051	5/8-11 NIN	L520007
5/16-18 AN	L50755	3/4-10 N	L50086
5/16 L	L50143	3/4-10 NIN	L50519
5/16-18 NIN	L520004		
5/16 P	L50141		
5/16-18 RNF	L530004		
5/16-18 SFN	L50056		
3/8-16 L	L50147		
3/8-16 NIN	L520005		
3/8-16 SFN	L50061		
3/8-16 WN	L530003		

Torque Specifications

Use these torque values when tightening GEHL hardware (excluding: Locknuts and Self-tapping, Thread-forming and Metal Screws) unless otherwise specified.

Unified National Thread	Grade 2 		Grade 5 		Grade 8 	
	Dry	Lubed	Dry	Lubed	Dry	Lubed
8-32	19*	14*	30*	22*	41*	31*
8-36	20*	15*	31*	23*	43*	32*
10-24	27*	21*	43*	32*	60*	45*
10-32	31*	23*	49*	36*	68*	51*
1/4-20	66*	50*	9	75*	12	9
1/4-28	76*	56*	10	86*	14	10
5/16-18	11	9	17	13	25	18
5/16-24	12	9	19	14	25	20
3/8-16	20	15	30	23	45	35
3/8-24	23	17	35	25	50	35
7/16-14	32	24	50	35	70	55
7/16-20	36	27	55	40	80	60
1/2-13	35	35	75	55	110	80
1/2-20	40	40	90	65	120	90
9/16-12	55	55	110	80	150	110
9/16-18	60	60	120	90	170	130
5/8-11	75	75	150	110	220	170
5/8-18	85	85	180	130	240	180
3/4-10	130	130	260	200	380	280
3/4-16	150	150	300	220	420	320
7/8-9	125	125	430	320	600	460
7/8-14	140	140	470	360	660	500
1-8	190	190	640	480	900	680
1-14	210	210	710	530	1000	740

Metric Course Thread	Grade 8.8 		Grade 10.9 		Grade 12.9 	
	Dry	Lubed	Dry	Lubed	Dry	Lubed
M6-1	8	6	11	7	13.5	10*
24M8-1.25	19	14	27	20	32.5	24*
M10-1.5	37.5	28	53	39	64	47
M12-1.75	65	48	91.5	67.5	111.5	82
M14-2	103.5	76.5	145.5	108	176.5	131
M16-2	158.5	117.5	223.5	165.5	271	200

* All torque values are in lb-ft except those marked with an * which are in lb-in.
For metric torque value (Nm) multiply lb-ft x 1.355 or lb-in value x 0.113.

GEHL®

GEHL Company 143 Water Street, P.O. Box 179, West Bend, WI 53095-0179 U.S.A.