

AMERICAN



LIFT RATINGS

With 37H Angle Chord Boom and "K-L-N" Counterweight (22,500 Lbs.)

Boom Length (Feet)	Radius In Feet	Boom Angle Degrees	Side Frames Retracted	Side Frames Extended	Ft. From Boom Point	Min. Load Line	
40 feet	10	79.9	—	5400	44	6	
	12	77.0	58900	80000	43	6	
	15	72.5	41800	57280	43	4	
	20	64.8	27900	36540	41	3	
	25	56.6	20730	26590	38	2	
	30	47.5	16350	20750	34	2	
	35	36.9	13400	16900	28	2	
40	22.3	11270	14170	20	1		
50 feet	12	79.6	58900	80000	54	6	
	15	76.1	41780	57260	53	4	
	20	70.1	27840	36510	51	3	
	25	63.9	20660	26540	49	2	
	30	57.3	16280	20690	46	2	
	35	50.2	13320	16840	43	2	
	40	42.3	11190	14110	38	1	
50	19.9	8320	10480	21	1		
60 feet	13	80.4	51860	73750	64	5	
	15	78.5	41740	57240	63	4	
	20	73.5	27790	36470	62	3	
	25	68.5	20590	26490	60	2	
	30	63.3	16210	20630	58	2	
	35	57.8	13250	16770	55	1	
	40	51.9	11120	14040	52	1	
50	38.4	8250	10410	42	1		
60	18.2	6400	8120	23	1		
70 feet	14	81.0	46220	64510	74	4	
	15	80.1	41670	57220	73	4	
	20	75.9	27690	36410	72	3	
	25	71.7	20490	26400	71	2	
	30	67.3	16090	20530	69	2	
	35	62.8	13130	16660	67	1	
	40	58.1	11000	13930	64	1	
50	47.8	8130	10300	56	1		
60	35.5	6280	8010	45	1		
70	16.8	4990	6420	25	1		
80 feet	16	80.6	37840	51430	83	4	
	20	77.7	27600	36340	83	3	
	25	74.0	20390	26320	81	2	
	30	70.3	15990	20440	80	2	
	35	66.4	13020	16570	78	1	
	40	62.5	10890	13820	75	1	
	50	54.0	8020	10200	69	1	
60	44.6	6170	7900	61	1		
70	33.1	4880	6320	48	1		
80	15.7	3930	5150	26	1		
90 feet	18	80.4	31870	42570	93	3	
	20	79.1	27490	36250	93	3	
	25	75.9	20270	26220	92	2	
	30	72.5	15860	20320	90	2	
	35	69.2	12890	16450	89	1	
	40	65.7	10760	13700	86	1	
	50	58.5	7880	10070	81	1	
60	50.7	6040	7770	74	1		
90 feet cont.	70	41.9	4750	6190	64	1	
	80	31.2	3800	5020	51	1	
	90	14.8	3060	4130	27	1	
	100 feet	19	80.8	29430	39100	103	3
		20	80.2	27390	36170	103	3
		25	77.3	20160	26120	102	2
		30	74.3	15740	20220	101	2
35		71.3	12770	16330	99	1	
40		68.3	10630	13580	97	1	
50		62.0	7760	9950	93	1	
60		55.2	5910	7650	87	1	
70		47.9	4620	6070	79	1	
80		39.6	3670	4900	68	1	
90	29.5	2940	4010	54	1		
100	14.1	2350	3300	29	1		
110 feet	21	80.6	25480	33530	113	2	
	25	78.5	20030	26010	112	2	
	30	75.8	15610	20100	111	2	
	35	73.1	12640	16210	110	1	
	40	70.3	10490	13450	108	1	
	50	64.7	7620	9810	104	1	
	60	58.8	5770	7510	98	1	
	70	52.5	4480	5930	92	1	
	80	45.6	3530	4760	83	1	
	90	37.7	2800	3870	72	1	
100	28.1	2220	3170	56	1		
110	13.4	1740	2590	30	1		
120 feet	22	80.9	23770	31210	123	2	
	25	79.4	19910	25900	122	2	
	30	77.0	15490	19980	121	2	
	35	74.5	12510	16090	120	1	
	40	72.0	10360	13330	119	1	
	50	66.9	7480	9690	115	1	
	60	61.6	5630	7380	110	1	
	70	56.1	4350	5790	104	1	
	80	50.1	3400	4630	96	1	
	90	43.5	2660	3740	87	1	
100	36.1	2080	3040	75	1		
110	26.9	1610	2470	59	1		
120	12.8	1210	1990	31	1		
130 feet	24	80.7	20940	27370	133	2	
	25	80.3	19780	25790	133	2	
	30	78.0	15350	19860	132	2	
	35	75.7	12370	15960	130	1	
	40	73.5	10220	13200	129	1	
	50	68.8	7340	9550	126	1	
	60	64.0	5490	7240	121	1	
	70	59.0	4200	5650	116	1	
	80	53.7	3250	4490	109	1	
	90	48.0	2520	3600	101	1	
100	41.7	1940	2890	91	1		
110	34.6	1460	2320	78	1		
120	25.8	1070	1850	61	1		
130	12.3	730	1440	32	1		

4260.01

FORM NO. 4260-CR-1A

DUTY CYCLE RATINGS

With 37H Angle Chord Boom and "K" Counterweight (13,500 Lbs.)

Boom Length (Feet)	Radius In Feet	Boom Angle Degrees	Side Frames Retracted	Side Frames Extended	Duty Cycle Ratings			Ft. From Boom Point
					Clamshell	Dragline	Magnet	
40 feet	10	79.9	64200	90000	11500	9500	9300	44
	12	77.0	46920	69550	11500	9500	9300	43
	15	72.5	33210	46350	11500	9500	9300	43
	20	64.8	22050	29450	11500	9500	9300	41
	25	56.6	16300	21350	11500	9500	9300	38
	30	47.5	12790	16590	11500	9500	9300	34
	35	36.9	10420	13460	11500	9500	9300	28
	40	22.3	8710	11240	10000	9500	9300	20
50 feet	12	79.6	46900	69630	11500	9500	9300	64
	15	76.1	33180	46320	11500	9500	9300	53
	20	70.1	22000	29430	11500	9500	9300	51
	25	63.9	16240	21310	11500	9500	9300	49
	30	57.3	12720	16540	11500	9500	9300	46
	35	50.2	10340	13390	11500	9500	9300	43
	40	42.3	8630	11170	9940	9500	9300	38
	45	32.9	7340	9500	8460	9500	8460	32
50	19.9	6320	8210	7310	8210	7310	21	
60 feet	15	78.5	33140	46300	11500	9500	9300	63
	20	73.5	21940	29390	11500	9500	9300	62
	25	68.5	16170	21260	11500	9500	9300	60
	30	63.3	12640	16470	11500	9500	9300	58
	35	57.8	10270	13330	11500	9500	9300	55
	40	51.9	8550	11100	9880	9500	9300	52
	45	45.6	7260	9430	8400	9430	8400	47
	50	38.4	6250	8140	7250	8140	7250	42
55	29.9	5430	7110	6330	7110	6330	34	
60	18.2	4760	6260	5570	6260	5570	23	
70 feet	16	80.1	33080	46280	11500	-	-	73
	20	75.9	21850	29330	11500	-	-	72
	25	71.7	16060	21170	11500	-	-	71
	30	67.3	12530	16380	11500	-	-	69
	35	62.8	10150	13220	11500	-	-	67
	40	58.1	8440	10990	9780	-	-	64
	45	53.1	7140	9320	8300	-	-	60
	50	47.8	6130	8030	7150	-	-	56
55	42.0	5310	7000	6230	-	-	51	
60	35.5	4640	6150	5480	-	-	45	
65	27.7	4080	5450	4850	-	-	37	
70	16.8	3600	4850	4320	-	-	25	
80 feet	16	80.6	29990	41570	11500	-	-	83
	20	77.7	21760	29260	11500	-	-	83
	25	74.0	15960	21080	11500	-	-	81
	30	70.3	12430	16280	11500	-	-	80

Boom Length (Feet)	Radius In Feet	Boom Angle Degrees	Side Frames Retracted	Side Frames Extended	Duty Cycle Ratings			Ft. From Boom Point
					Clamshell	Dragline	Magnet	
80 feet cont.	35	66.4	10040	13120	11500	-	-	78
	40	62.5	8330	10890	9690	-	-	75
	45	58.3	7030	9220	8210	-	-	72
	50	54.0	6020	7920	7050	-	-	69
	55	49.5	5200	6890	6140	-	-	65
	60	44.6	4530	6050	5380	-	-	61
	65	39.2	3970	5350	4760	-	-	55
	70	33.1	3490	4750	4230	-	-	48
75	25.8	3080	4240	3770	-	-	39	
80	15.7	2720	3790	3380	-	-	26	
90 feet	18	80.4	25170	34330	11500	-	-	93
	20	79.1	21650	29170	11500	-	-	93
	25	75.9	15840	20980	11500	-	-	92
	30	72.5	12300	16170	11500	-	-	90
	35	69.2	9910	13000	11500	-	-	89
	40	65.7	8190	10760	9580	-	-	86
	45	62.2	6900	9090	8090	-	-	84
	50	58.5	5880	7800	6940	-	-	81
	55	54.7	5070	6760	6020	-	-	78
	60	50.7	4400	5920	5270	-	-	74
	65	46.5	3840	5220	4640	-	-	70
	70	41.9	3360	4620	4110	-	-	64
75	36.9	2950	4110	3660	-	-	58	
80	31.2	2590	3670	3270	-	-	51	
85	24.3	2280	3280	2920	-	-	41	
90	14.8	1990	2930	2610	-	-	27	
100 feet	19	80.8	23190	31480	11500	-	-	103
	20	80.2	21550	29090	11500	-	-	103
	25	77.3	15730	20880	11500	-	-	102
	30	74.3	12180	16060	11500	-	-	101
	35	71.3	9790	12890	11480	-	-	99
	40	68.3	8070	10650	9480	-	-	97
	45	65.2	6770	8970	7990	-	-	95
	50	62.0	5760	7680	6830	-	-	93
	55	58.7	4940	6640	5910	-	-	90
	60	55.2	4270	5800	5160	-	-	87
	65	51.7	3710	5090	4530	-	-	83
	70	47.9	3230	4500	4010	-	-	79
75	43.9	2820	3990	3550	-	-	74	
80	39.6	2470	3550	3160	-	-	68	
85	34.9	2150	3160	2810	-	-	62	
90	29.5	1870	2820	2510	-	-	54	
95	23.1	1630	2510	2240	-	-	44	
100	14.1	1400	2230	1990	-	-	29	

4260.02 4260.03 4260.04 4260.05

CRANE RATING DATA

Load ratings are in pounds and do not exceed 75% of the load which would cause tipping with crane standing level on firm uniformly supporting surface. Clamshell, dragline, and magnet ratings are in accordance with recommended industry standards and should not exceed the rating shown. Safe loads depend on ground conditions, boom length, radius of operation, and proper handling, all of which must be taken into consideration by user. Blocks, slings, buckets, and other load carrying devices are considered part of the load. Retractable A-frame must be fully raised position for all ratings.

Lifting is approved only in those areas for which ratings are shown in the rating chart. Ratings in shaded areas are based on structural limitations rather than stability.

"Radius in feet" is the horizontal distance at crane base level from center pin to a vertical line through the center of gravity of the suspended load. "Min. Load Line" pertains to Lift Rating only.

Boom suspension line is 5/8 inch diameter with minimum breaking strength of 35,800 lbs. Boom suspension pendants are 1-1/8 inch diameter with minimum breaking strength of 140,600 lbs.

Maximum boom length is 130 ft. for lift service, 100 ft. for clamshell, and 60 ft. for dragline or magnet. Boom lengths and ratings available in 5 ft. increments.

Designed and rated to comply with ANSI Code B30.5

LOAD HOISTING DATA*

Maximum Lifting Capacity - Lbs.	Minimum Pts. of Line	Maximum Hoisting Distance - Ft.	
		Main - R.H.	Auxiliary - L.H.
90,000	6	93'	60'
83,900	5	112'	72'
67,200	4	140'	90'
50,400	3	187'	121'
33,600	2	280'	181'
16,800	1	561'	363'

*With controlled load lowering on one drum. Main load line 3/4 inch diameter with minimum breaking strength of 58,800 lbs.

37H BOOM COMPOSITION

Boom Length In Feet	20 Ft. 37H Inner	5 Ft. 37H Center	10 Ft. 37H Center	20 Ft. 37H Center	20 Ft. 37H Outer
40	1	-	-	-	1
45	1	1	-	-	1
50	1	-	1	-	1
55	1	1	1	-	1
60	1	-	-	1	1
65	1	1	-	1	1
70	1	-	1	1	1
75	1	1	1	1	1
80	1	-	-	2	1
85	1	1	-	2	1
90	1	-	1	2	1
95	1	1	1	2	1
100	1	-	-	3	1
105	1	1	-	3	1
110	1	-	1	3	1
115	1	1	1	3	1
120	1	-	-	4	1
125	1	1	-	4	1
130	1	-	1	4	1

BOOM AND JIB ERECTION*

Boom Length	Maximum Jib Length	
	No. 6	No. 7HL
130'	40'	40'

*Self-erecting over the rear with "K-L-N" Counterweight.

PERFORMANCE

TRAVEL SPEED	0.83 MPH
SWING SPEED	3.88 RPM
SINGLE LINE SPEED	
(Based on Standard Engine and Transmission.)	
Backhoe, Magnet - Hoist	206 FPM
Crane, Clam, Drag - Hoist	156 FPM
Backhoe, Drag - Pull in	150 FPM
Third Drum	209 FPM
SINGLE LINE PULL	
(Based on Standard Engine and Transmission.)	
Backhoe, Magnet - Hoist	13,100 lbs. SLP
Crane, Clam, Drag - Hoist	17,300 lbs. SLP
Backhoe, Drag - Pull in	18,000 lbs. SLP
Third Drum	12,500 lbs. SLP

Note: Line pull and line speed ratings apply to standard engine and transmission and may vary with alternate engine arrangements.

WEIGHTS

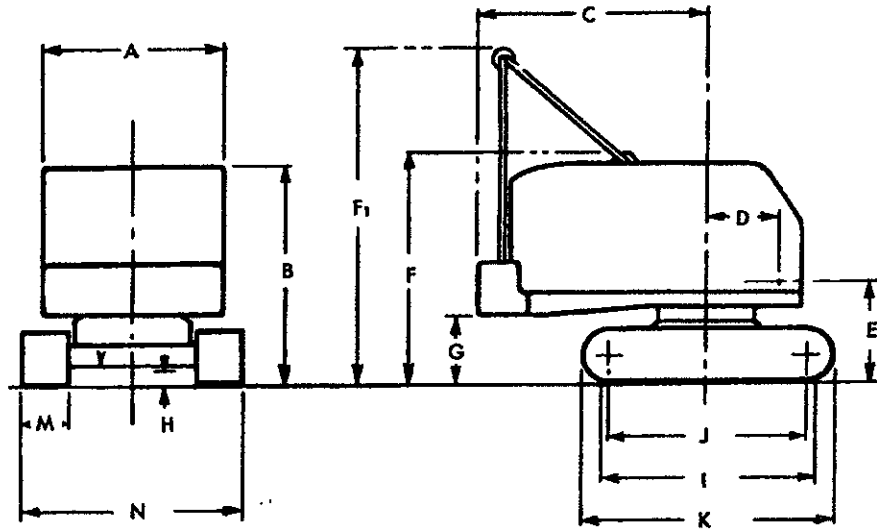
4260 crane with 40 ft. boom	80,350 lbs.
Counterweight (K-L-N)	22,500 lbs.
Boom Outer	1,920 lbs.
Boom Inner	1,575 lbs.
Side frames with 32" shoes (2)	19,650 lbs.
Crawler Axles (2)	3,350 lbs.
Axle extensions and torque tubes	1,100 lbs.
45 ton crane block	920 lbs.

GROUND PRESSURES:

	28" shoes	32" shoes	36" shoes
Crane with 40' boom	9.1 PSI	8.04 PSI	7.24 PSI

NOTE: In accordance with varying material situations and the Company's policy of constant product improvement these specifications subject to change without notice and without incurring responsibility to units previously sold.

MODEL 4260 GENERAL DIMENSIONS



A.	Width of cab	9' 0"	K.	Overall length of crawlers	15' 8"
B.	Height over cab	10' 6"	M.	Tread width standard	32"
C.	Tailswing (K-L-N ctwt.)	10' 8-5/8"		optional	28" and 36"
C1.	Tailswing (K-L-M ctwt. w / quick removal attach.)	11' 4-5/8"	N.	Overall width over crawlers (Retracted)	
D.	Center of pivot to center crane boom foot	3' 0"		28" Shoes	10' 8"
E.	Ground to center crane boom foot	4' 4-3/4"		32" Shoes	11' 0"
F.	Height over retractable A-frame (Retracted)	10' 11-5/8"		36" Shoes	11' 4"
F1.	Height over retractable A-frame (Raised)	15' 9-3/4"	N1.	Overall width over crawlers (Extended)	
G.	Ground to bottom of counterweight	3' 3"		28" Shoes	13' 6"
H.	Minimum clearance under base	1' 2"		32" Shoes	13' 10"
I.	Crawler bearing length	13' 3"		36" Shoes	14' 2"
J.	Center to center crawler tumbler	13' 6"			

BACKHOE WORKING RANGES

Boom Length 23' 0"
 Dipper Stick Length 7' 3"

A.	Radius to dipper beginning of dump	11' 3"
B.	Radius to dipper at end of dump	25' 6"
C.	Clearance under dipper beginning of dump	12' 9"
D.	Clearance under dipper at end of dump	18' 0"
E.	Maximum digging radius	36' 8"
F.	Digging depth, boom at 45° depression	24' 6"
	Length of level floor at this depth	13' 6"
F1.	Maximum dipper reach, boom at 55° depression	27' 1"
G.	Maximum clearance height at end of dump	27' 5"
H.	Height over A-frame, Working	17' 1-3/4"
J.	Sweep Radius	12' 9"

ACTUAL RANGES DEPEND ON SOIL CONDITIONS

