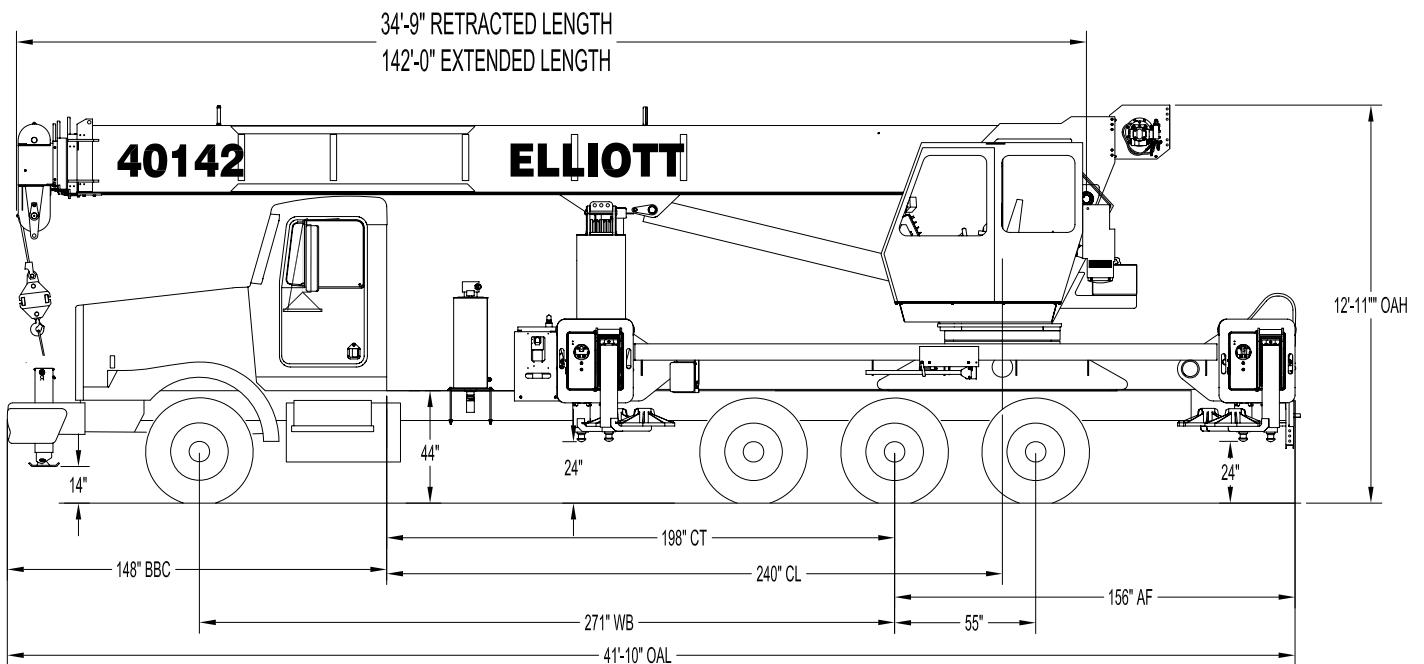




40142 SIDE VIEW DIAGRAM



- | | | | |
|----------------------------------|------------------------|---------------------------------|--------------------------------|
| • Maximum Vertical Reach | 201' / 61.3 m | • Powered Boom Sections | 5 |
| • Working Area | 360 Degrees | • Overall Height | 12'11" / 3.9 m |
| • Lifting Capacity | 80,000 lbs / 36,287 kg | • Operator Controls | Rotating Cab with Control Seat |
| • Boom Length | 142' / 43.3 m | • Outrigger Type Front | Out-Down |
| • Crane Weight (Standard) | 40,300 lbs / 18,280 kg | • Outrigger Spread Front | 26'2" / 8 m |
| • Jib Lengths | 26', 49' / 8 m, 15 m | • Outrigger Type Rear | Out-Down |
| • Winch Bare Drum Pull | 15,000 lbs / 6,804 kg | • Outrigger Spread Rear | 26'2" / 8 m |

TECHNICAL SPECIFICATIONS

Crane Capacity: 80,000 lbs at nine feet load radius.

Maximum Tip Height: 142' height (201' with optional 49' jib)

Control Console: Rotating seated controls with operator cab and deluxe operators seat. Station equipped with four pilot operated control levers for the main crane controls. Operator station includes LMI display, diesel heater, bubble level gauge, engine start/stop switch, signal horn button, variable speed throttle switch, lifting capacity chart, range diagram chart, boom angle indicator, system pressure gauge, 12V DC power source, and cup holder. Independent ground level electric operated outrigger controls.

Boom: Five-section fully proportional, high strength steel plated rectangular tube sections. A maximum boom tip height of 152' mounted on a truck. The boom nose contains one floating upper sheave and three lower sheaves. Assembly includes heavy-duty cylinder fittings, pivot pins, and replaceable wear pads.

Winch: Mounted at the base of the boom for a long fleet angle and flat level spooling of cable. Winch is driven by a planetary reducer and powered by a hydraulic motor. Burst-of-speed winch provides increased line speed. The winch brake is spring applied, pressure release design. Supplied with 430' of 5/8" diameter rotation resistant wire rope with a single line pull of 10,000 lbs., and a downhaul ball with swivel hook for single part line.

Load Moment Indicator System: System senses hoist cylinder pressures, boom length and boom angle with hydraulic function lockout. The display console is equipped with a bar graph showing crane utilization, boom angle or boom length, a mode select controls for main boom and jib operation, and an anti-two block with an audio/visual warning and shut-off functions to limit

Elliott Equipment Company reserves the right to change the specification of any unit at any time without prior notice. This brochure is only a statement of general specifications on the date of this publication. For more detailed info on specific Elliott trucks go to www.elliottequip.com

hook-boom point contact.

Outriggers: Two sets of out and down overframe outriggers with 26'2" span. Outriggers are configured for full span, mid span, or full retracted operation. Outriggers equipped with 22" diameter ball socket aluminum removable pads that stow on vertical outrigger legs. Front bumper stabilizer required.

Frame: Full length, all welded rigid 4-plate design sub-frame. Sub-frame allows for bolt-on addition of aluminum bed wings, with top plate of subbase serving as a portion of the bed deck, to form a three-piece bed.

Turret: Reverse offset turret is one-piece weldment. Turret rotates on large diameter ball bearing.

Rotation: Hydraulic motor drives turret through double reduction planetary swing drive for 360 degree continuous rotation. Glide-swing drive system has manual foot applied brake

Lift: One double-acting long stroke cylinder provides smooth and stable boom elevation. Holding valve prevents boom from falling in event of hose failure.

Boom Extension: Incorporates a 2-stage hydraulic extension cylinder, attached to the largest boom section, with a proportional cable extension system driving the outermost sections.

Hoses: All high pressure hoses are wire braid reinforced with a minimum safety factor of 4 to 1.

Cylinders: All cylinders use microhoned cylinder tubing, chrome shafts, top grade packing and protective rod wipers. Cylinder-mounted holding valves provided on all load-holding cylinders.

Hydraulic System: Equipped with air-shift PTO, piston pump, SAE O-ring face seals on pressure lines, and a 10-micron return line filter. The control valve distributes all flow to hoist system, swing circuit, and other crane functions.

System is closed center type.

Oil Tank Capacity: 143 gallon mounted to top of frame.

Cab Equipment: Air shift PTO with indicator lights installed in truck cab. U/L approved 5:BC dry chemical fire extinguisher installed in truck cab.

Operators Manual & Video: Two CD copies and one hard copy of operation, maintenance, safety and parts manual provided with each unit. Operational and safety video provided at delivery.

Installation: Unit installed on chassis, painted, system and tank filled with oil, tested, inspected, and ready to operate.

Standard Paint: Paint turret and boom white, outriggers red, and bed and boxes black.

Bumper: Bureau of Motor Carrier Safety rear bumper.

Weight: Approximately 40,300 lbs. with 18' aluminum bed less truck.

Truck Chassis Required: Approx. 198" C.A., RBM 3,300,000 in-lb. per rail, 20,000 lb. front axle and 78,000 lb. GVWR required. Trucks must have front frame extension, 12V electrical system with high capacity alternator, cab clearance stop/tail/backup lights, and I.D. lamps. Recommended GVWR is minimum for BOOMTRUCK with flatbed only. Contact factory when additional equipment is to be added.

Options:

Air Conditioning for Crane Cab.

49 ft. Jib for Work Platform.

Gravity Leveled Work Basket.

Swing Counterweight up to 1,600 lbs.

Radio Remote Controls.

Winch Drum Rotation Indicator.

Much More...

MAXIMUM LIFTING CAPABILITIES - FULL SPAN OUTRIGGERS



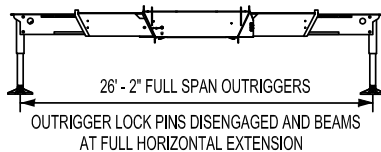
MODEL 4000 142-ft BOOM

MAIN BOOM LOAD RATINGS WITH FULLY EXTENDED OUTRIGGERS

MAIN BOOM LOAD RATINGS

LOAD RATINGS IN lbs WITH OUTRIGGERS AND STABILIZERS EXTENDED

LOAD RADIUS IN FEET	LOADED BOOM ANGLE	34-ft	LOADED BOOM ANGLE	A 47-ft	LOADED BOOM ANGLE	B 61-ft	LOADED BOOM ANGLE	C 74-ft	LOADED BOOM ANGLE	D 88-ft	LOADED BOOM ANGLE	E 101-ft	LOADED BOOM ANGLE	F 115-ft	LOADED BOOM ANGLE	G 128-ft	LOADED BOOM ANGLE	H 142-ft	
9	73.2	80,000																	
10	71.0	64,500	76.7	43,000															
12	67.3	56,100	74.3	43,000	79.1	43,000													
15	61.7	49,000	70.5	43,000	76.3	42,400	79.5	36,600											
20	50.9	38,000	63.6	34,000	71.4	34,000	75.7	31,700	78.7	24,900									
25	38.1	28,800	56.0	28,500	66.3	28,200	71.5	26,400	75.2	21,000	77.8	17,500							
30	19.3	24,000	47.8	23,500	60.6	23,200	67.2	23,300	71.7	18,400	75.0	16,000	77.5	13,400	79.3	11,500			
35			38.0	16,700	54.5	16,500	62.8	16,600	68.1	16,000	72.0	14,400	75.0	11,800	77.0	10,100	79.1	6,600	
40			25.2	12,500	48.0	14,000	58.0	14,100	64.4	14,000	68.8	12,600	72.2	10,700	74.9	8,900	77.0	6,600	
45					40.7	11,000	52.9	11,000	60.6	11,200	65.6	11,300	69.8	9,400	72.6	8,100	74.8	6,600	
50					31.9	8,500	47.3	8,400	56.5	8,500	62.3	10,000	67.0	8,400	70.1	7,400	72.7	5,900	
55					19.8	7,300	41.2	7,500	52.3	7,600	59.1	8,700	64.2	7,500	67.6	6,500	70.5	5,300	
60							34.9	6,600	48.0	6,800	55.5	7,000	61.2	6,700	65.0	5,900	68.3	4,800	
65							26.4	5,700	43.0	5,900	51.8	5,900	58.1	5,800	62.4	5,300	65.9	4,300	
70							12.9	5,000	37.3	5,200	47.6	5,000	55.0	5,100	59.7	4,900	63.6	3,900	
75									30.8	4,400	43.1	4,200	54.6	4,300	56.9	4,100	61.2	3,500	
80									22.5	3,700	38.2	3,600	47.8	3,600	54.0	3,500	58.7	3,100	
85									6.5	3,000	32.7	2,900	43.8	2,900	50.8	2,800	56.2	2,800	
90											26.1	2,300	39.6	2,300	47.4	2,300	53.5	2,500	
95											17.1	1,800	34.9	1,900	43.8	1,900	50.7	1,900	
100													29.6	1,500	40.0	1,500	47.6	1,500	
105													23.1	1,100	35.8	1,100	44.3	1,100	
110													13.9	800	31.6	800	41.0	800	
	0	17,000	0	10,600	0	6,600	0	4,500	0	2,500	0	1,300							
DEDUCTIONS FOR STOWED EXTENDABLE JIB (lbs)		950		700		550		450		400		350		300		250		200	DEDUCTIONS FOR STOWED EXTENDABLE JIB (lbs)



ELLIOTT EQUIPMENT CO. SUPPLIED
 LOADLINE EQUIPMENT DEDUCTIONS:
 DOWNHAUL WEIGHT225 lbs
 ONE SHEAVE BLOCK424 lbs
 TWO SHEAVE BLOCK592 lbs
 THREE SHEAVE BLOCK639 lbs
 FOUR SHEAVE BLOCK762 lbs
 AUXILIARY SHEAVE100 lbs

CRANE MEETS ASME B30.5 REQUIREMENTS AT TIME OF MANUFACTURE

DO NOT PAINT OVER ANY LABELS

1141120 090808



Elliott Equipment Company Phone: 402-592-4500
 4427 South 76th Circle Fax: 402-592-4553
 Omaha, NE 68127 Email: sales@elliottequip.com

Built for You.
 www.elliottequip.com

MAXIMUM LIFTING CAPABILITIES - MID SPAN OUTRIGGERS



MODEL 4000 142-ft BOOM

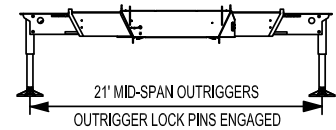
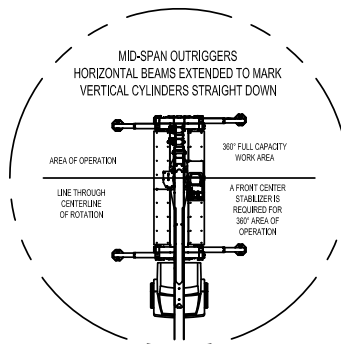
MAIN BOOM LOAD RATINGS WITH MIDSPAN OUTRIGGERS

LOAD RATINGS IN lbs WITH OUTRIGGERS AND STABILIZERS EXTENDED

LOAD RADIUS IN FEET	LOADED BOOM ANGLE	34-ft	A 47-ft	LOADED BOOM ANGLE	B 61-ft	LOADED BOOM ANGLE	C 74-ft	LOADED BOOM ANGLE	D 88-ft	LOADED BOOM ANGLE	E 101-ft	LOADED BOOM ANGLE	F 115-ft	LOADED BOOM ANGLE	G 128-ft	LOADED BOOM ANGLE	H 142-ft		
9	73.2	80,000																	
10	71.0	64,500	76.7	43,000															
12	67.3	56,100	74.3	43,000	79.1	43,000													
15	61.7	49,000	70.5	43,000	76.3	42,400	79.5	36,600											
20	50.9	38,000	63.6	34,000	71.4	34,000	75.7	31,700	78.7	24,900									
25	38.1	17,000	56.0	17,500	66.3	17,900	71.5	26,400	75.2	21,000	77.8	17,500							
30	19.3	11,800	47.8	12,300	60.6	12,700	67.2	13,000	71.7	13,100	75.0	16,000	77.5	11,500	79.3	11,500			
35			38.0	8,800	54.5	9,200	62.8	9,300	68.1	9,500	72.0	9,600	75.0	10,100	77.0	10,100	79.1	6,600	
40			25.2	6,500	48.0	6,600	58.0	6,800	64.4	6,900	68.8	7,100	72.2	8,900	74.9	8,900	77.0	6,600	
45					40.7	5,000	52.9	5,400	60.6	5,500	65.6	5,700	69.8	5,900	72.6	8,100	74.8	5,900	
50					31.9	3,800	47.3	4,200	56.5	4,400	62.3	4,600	67.0	4,700	70.1	7,400	72.7	4,700	
55					19.8	2,800	41.2	3,200	52.3	3,300	59.1	3,500	64.2	3,600	67.6	6,500	70.5	3,600	
60							34.9	2,400	48.0	2,500	55.5	2,600	61.2	2,700	65.0	5,900	68.3	2,700	
65							26.4	1,700	43.0	1,800	51.8	1,900	58.1	2,000	62.4	5,300	65.9	2,000	
70							12.9	1,100	37.3	1,200	47.6	1,300	55.0	1,400	59.7	4,900	63.6	1,400	
75									30.8	800	43.1	900	54.6	1,000	56.9	4,100	61.2	1,000	
80														54.0	3,500	58.7	700		
0		10,000	0		0	4,800	0	2,000	0	600									
DEDUCTIONS FOR STOWED EXTENDABLE JIB (lbs)		950		700		550		450		400		350		300		250		200	DEDUCTIONS FOR STOWED EXTENDABLE JIB (lbs)
DEDUCTIONS FOR STOWED FIXED LENGTH JIB (lbs)																			DEDUCTIONS FOR STOWED FIXED LENGTH JIB (lbs)

NOTE:

- Operate jib by radius when main boom is fully extended.
Increase boom angle if necessary to maintain load radius.
- When boom is retracted, operate jib by boom angles.
Do not exceed any rated jib capacities at reduced boom lengths.
- Capacities do not exceed stability based on ISO 4305-1991.
- Load ratings above bold line are structurally limited.
- Personnel handling is allowed only with full span outriggers.
- Boom load ratings are based on loaded boom radius.
Loaded boom angles are given as reference only.



ELLIOTT EQUIPMENT CO. SUPPLIED
LOADLINE EQUIPMENT DEDUCTIONS:
DOWNHAUL WEIGHT225 lbs
ONE SHEAVE BLOCK.....424 lbs
TWO SHEAVE BLOCK.....592 lbs
THREE SHEAVE BLOCK.....639 lbs
FOUR SHEAVE BLOCK.....762 lbs
AUXILIARY SHEAVE.....100 lbs

CRANE MEETS ASME B30.5 REQUIREMENTS AT TIME OF MANUFACTURE

DO NOT PAINT OVER ANY LABELS 1141120 092109



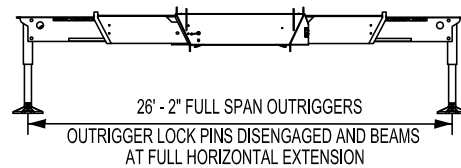
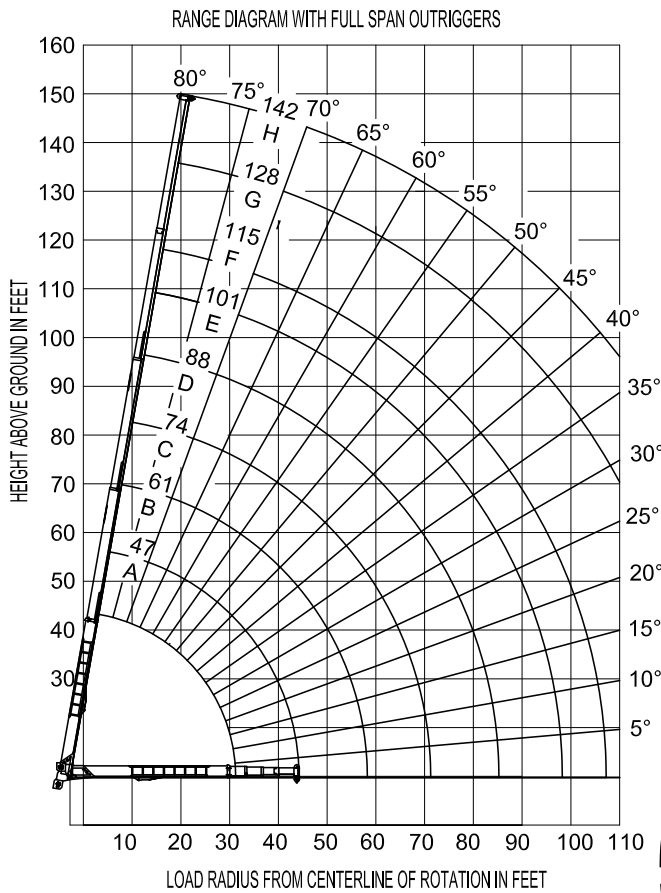
Elliott Equipment Company Phone: 402-592-4500
4427 South 76th Circle Fax: 402-592-4553
Omaha, NE 68127 Email: sales@elliottequip.com

Built for You.
www.elliottequip.com

MAXIMUM RANGE CAPABILITIES - FULL SPAN OUTRIGGERS

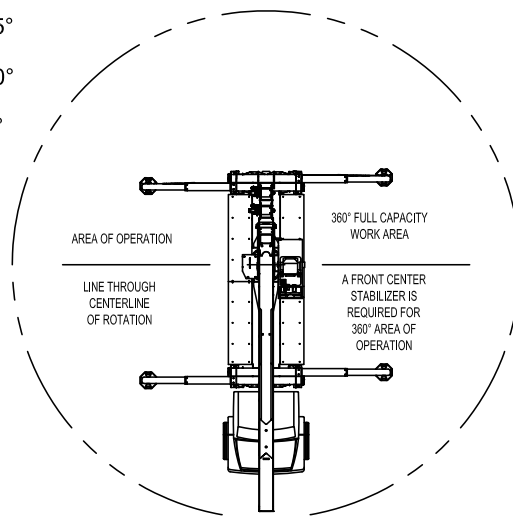


MODEL 4000 142-ft BOOM



NOTE:

1. Operate jib by radius when main boom is fully extended. Increase boom angle if necessary to maintain load radius.
2. When boom is retracted, operate jib by boom angles. Do not exceed any rated jib capacities at reduced boom lengths.
3. Capacities do not exceed 85% stability.
4. Load ratings above bold line are structurally limited.
5. Personnel handling is allowed only with full span outriggers.
6. Boom load ratings are based on loaded boom radius. Loaded boom angles are given as reference only.



CRANE MEETS ASME B30.5 REQUIREMENTS AT TIME OF MANUFACTURE

DO NOT PAINT OVER ANY LABELS 1141120 092108



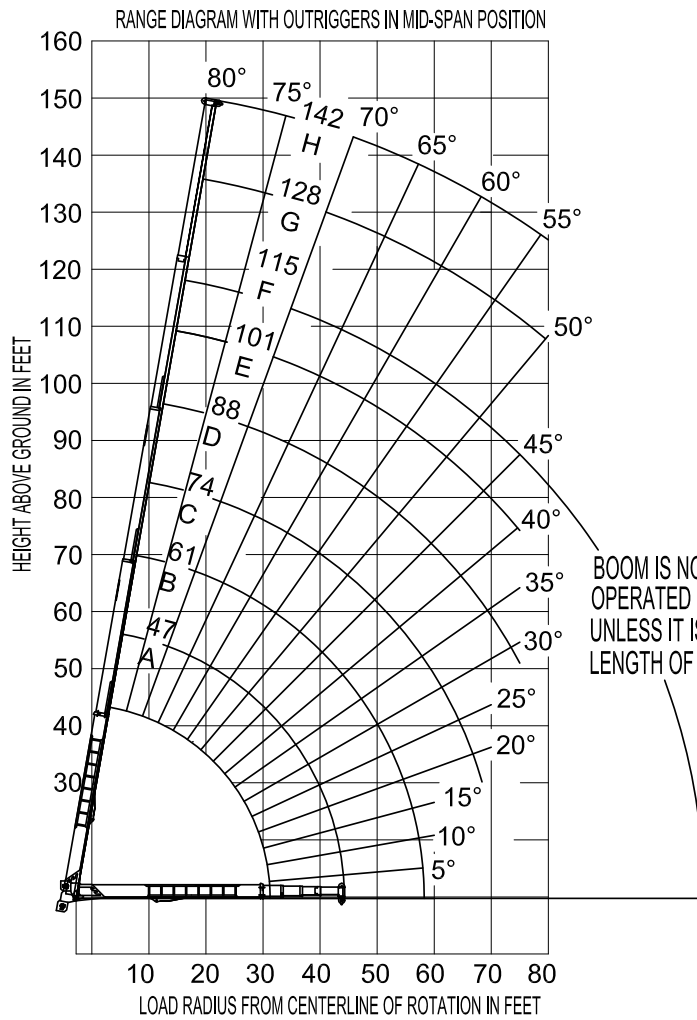
Elliott Equipment Company
4427 South 76th Circle
Omaha, NE 68127
Phone: 402-592-4500
Fax: 402-592-4553
Email: sales@elliottequip.com

Built for You.
www.elliottequip.com

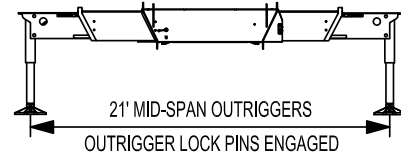
MAXIMUM RANGE CAPABILITIES - MID SPAN OUTRIGGERS



MODEL 4000 142-ft BOOM

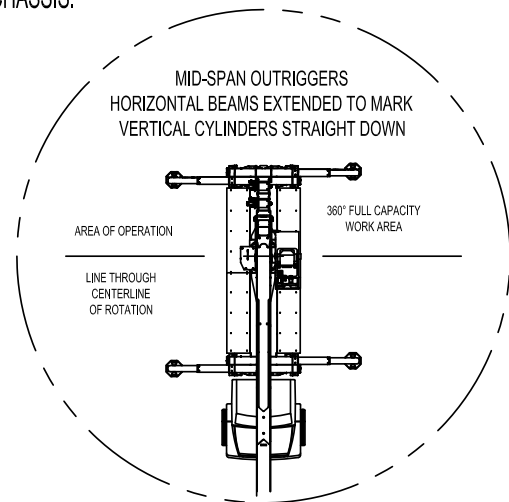


BOOM IS NOT TO BE OPERATED IN THIS AREA UNLESS IT IS IN LINE WITH THE LENGTH OF THE CHASSIS.



NOTE:

1. Operate jib by radius when main boom is fully extended. Increase boom angle if necessary to maintain load radius.
2. When boom is retracted, operate jib by boom angles. Do not exceed any rated jib capacities at reduced boom lengths.
3. Capacities do not exceed stability based on ISO 4305-1991.
4. Load ratings above bold line are structurally limited.
5. Personnel handling is allowed only with full span outriggers.
6. Boom load ratings are based on loaded boom radius. Loaded boom angles are given as reference only.



CRANE MEETS ASME B30.5 REQUIREMENTS AT TIME OF MANUFACTURE

DO NOT PAINT OVER ANY LABELS

1141120 092108



Elliott Equipment Company
4427 South 76th Circle
Omaha, NE 68127
Phone: 402-592-4500
Fax: 402-592-4553
Email: sales@elliottequip.com

Built for You.
www.elliottequip.com

MAXIMUM JIB RANGE CAPABILITIES



MODEL 4000

142-ft BOOM

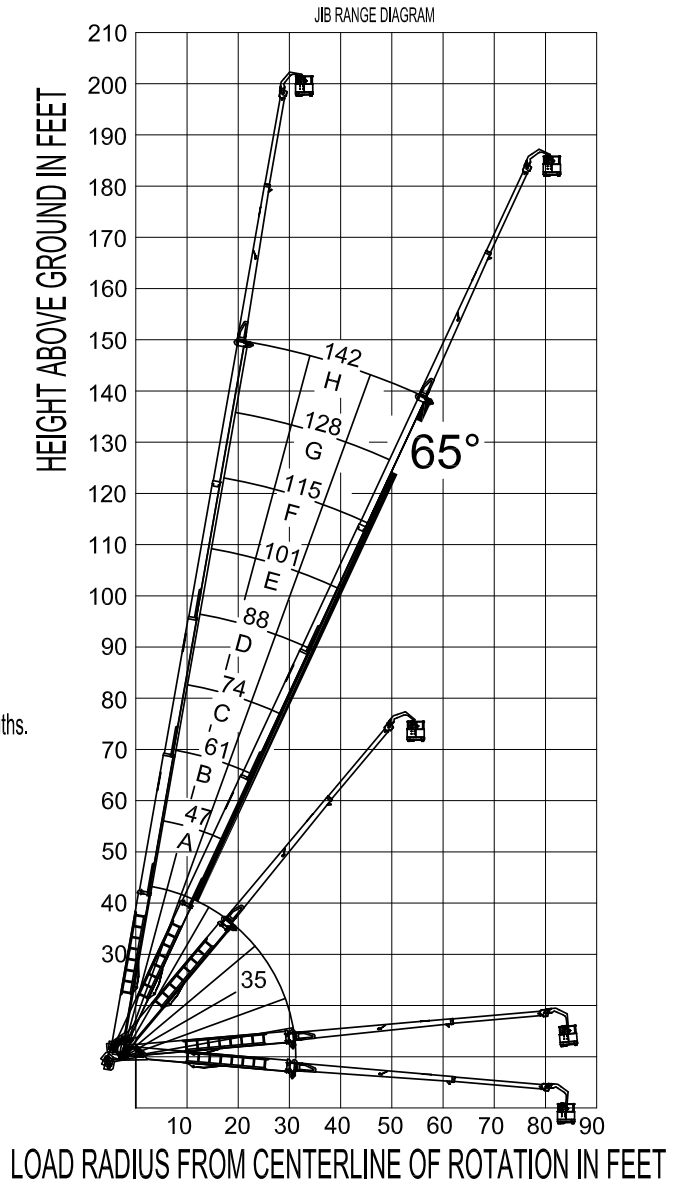
JIB RANGE DIAGRAM WITH PLATFORM ATTACHED

PERSONELL 600LBS MAX

**USE OUTRIGGERS
AT ALL TIMES**

**PLATFORM JIB IS NOT
RATED TO PICK LOADS**

- NOTE:
1. Operate jib by radius when main boom is fully extended. Increase boom angle if necessary to maintain load radius.
 2. When boom is retracted, operate jib by boom angles. Do not exceed any rated jib capacities at reduced boom lengths.
 3. Capacities do not exceed stability based on ISO 4305-1991.
 4. Load ratings above bold line are structurally limited.
 5. Personnel handling is allowed only with full span outriggers.
 6. Boom load ratings are based on loaded boom radius. Loaded boom angles are given as reference only.



CRANE MEETS ASME B30.5 REQUIREMENTS AT TIME OF MANUFACTURE

DO NOT PAINT OVER ANY LABELS

1141120 092108



Elliott Equipment Company
4427 South 76th Circle
Omaha, NE 68127
Phone: 402-592-4500
Fax: 402-592-4553
Email: sales@elliottequip.com

Built for You.
www.elliottequip.com

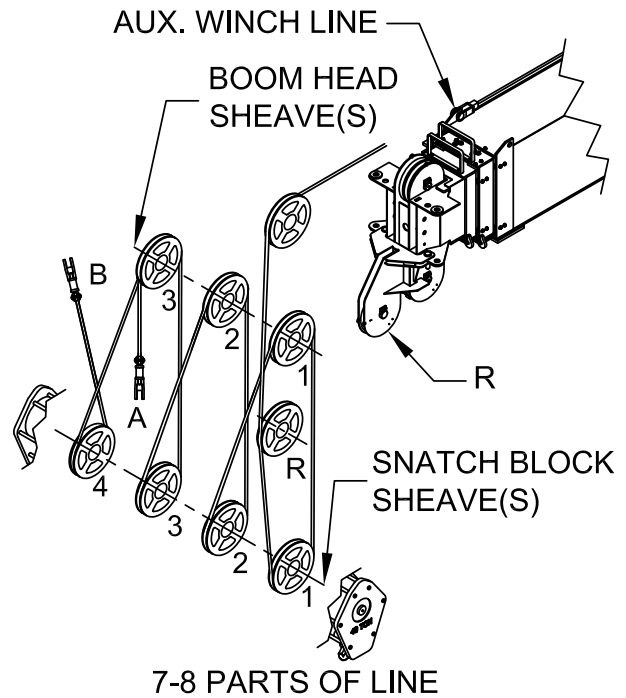
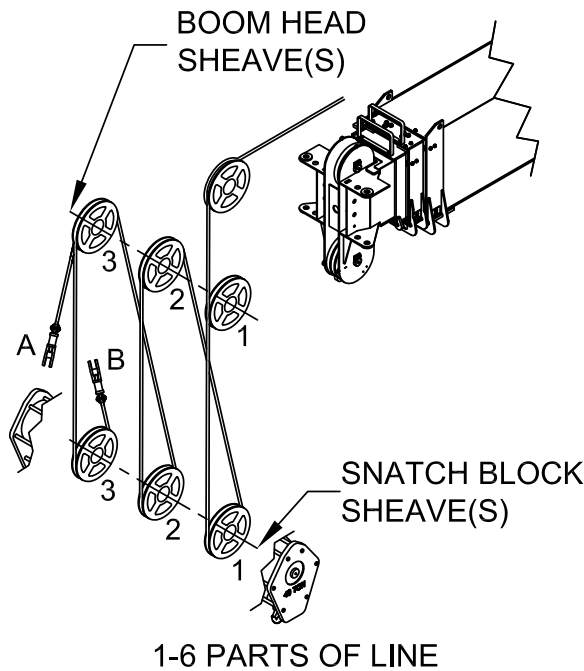
MAIN BOOM WINCH DATA



MODEL 4000

142-ft BOOM

PARTS OF LINE



NOTICE:

- DO NOT DEADHEAD LINE BLOCK AGAINST BOOM TIP WHEN EXTENDING BOOM.
- KEEP AT LEAST 5 WRAPS OF LOADLINE ON THE WINCH DRUM AT ALL TIMES.
- USE ONLY 5/8" DIAMETER WIRE ROPE, AS SPECIFIED, WITH THE PROPER BREAKING STRENGTH LISTED.
- ANTI-TWO-BLOCK SYSTEM MUST BE IN GOOD OPERATING CONDITION BEFORE OPERATING CRANE. SEE OPERATION & SAFETY MANUAL.

PARTS OF LINE	SHEAVE(S) ON BOOM HEAD	SHEAVE(S) ON SNATCH BLOCK	5/8" - SPIN RESISTANT (5:1 S.F.) 50,000-lbs. BREAKING STRENGTH
1	1	A	10,000 lbs
2	1B	1	20,000 lbs
3	12	1A	30,000 lbs
4	12B	12	40,000 lbs
5	123	12A	50,000 lbs
6	123B	123	60,000 lbs
7	R123	123A	70,000 lbs
8	R123B	1234	80,000 lbs

A-DEAD END FOR ODD PARTS OF LINE
 B-DEAD END FOR EVEN PARTS OF LINE
 R-ROOSTER SHEAVE REQUIRED WHEN USING 7 AND 8 PARTS OF LINE

CRANE MEETS ASME B30.5 REQUIREMENTS AT TIME OF MANUFACTURE

DO NOT PAINT OVER ANY LABELS

1141120 092108



Elliott Equipment Company
 4427 South 76th Circle
 Omaha, NE 68127
 Phone: 402-592-4500
 Fax: 402-592-4553
 Email: sales@elliottequip.com

Built for You.
www.elliottequip.com

TRUCK CHASSIS SPECIFICATIONS

	40142 BoomTruck
Wheelbase (WB)	288" / 731 cm
Cab to Axle (CA)	198" / 503 cm
Cab to End of Frame (EOF)	345" / 876 cm
Frame Section Modulus	30.0 in3-110,000 psi / 758,428 kPa
Front Axle Gross Weight Rating	20,000 lb / 9,072 kg
Rear Axle Gross Weight Rating	58,000 lb / 26,308 kg
Integral Front Frame Rails	Required

Chassis data is minimum general requirements-not for engineering.
 Actual dimensions and truck data will depend on truck selection and axle configuration.
 *Minimum chassis weight is required to meet 85% stability requirements.

OPTIONS



Radio Remote Control

Interference protected radio remotes let you get closer to your work and have full control over your machine.



Pin-On Jib Attachments

One piece & two piece telescoping or fixed jibs that stow on the side of the boom for easy placement while on the worksite.



Air Conditioning in Crane Cab

Work all day in comfort with an high efficiency air conditioning system mounted on the rear of the crane control cab.



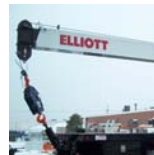
Auxiliary Winch System

Take advantage of the auxiliary winch to quickly deploy Elliott's telescopic jib without having to remove the multi-part line hook block on the primary winch.



Tool Boxes

Optional tool boxes and bed storage can accommodate any storage need for tools, work materials and more.



Hook Block for Multi-Part Line

Elliott can include a hook block device for up to 8 parts of line to improve lifting capabilities and allow you to maximize your use of the crane.



Gravity Levelled Basket

Elliott's pin-on work platform pins onto the boom for easy installation and removal. Gravity leveling and mechanical rotation makes it a great accessory for any worksite.



Body Mounted Hose Reels and Circuits

Let us work with you to customize your tool compatability by adding hose reels or hydraulic circuits to the crane bed.