



UNIC Truck Crane



Model UR1504/1582 by SPYDERCRANE.com,LLC



Capacity 30,000 lbs. - at 4ft



Boom Length 82 ft. - Retracted 25 ft.



Rear Mount or Behind the Cab Mount



33,000 GVWR with Great Hauling Capacity

WORLD CLASS QUALITY FROM JAPAN. INDUSTRY DESIGN LEADER.



Operator's Platform



Remote Control



Mounting Bolts



UNIC Truck Crane

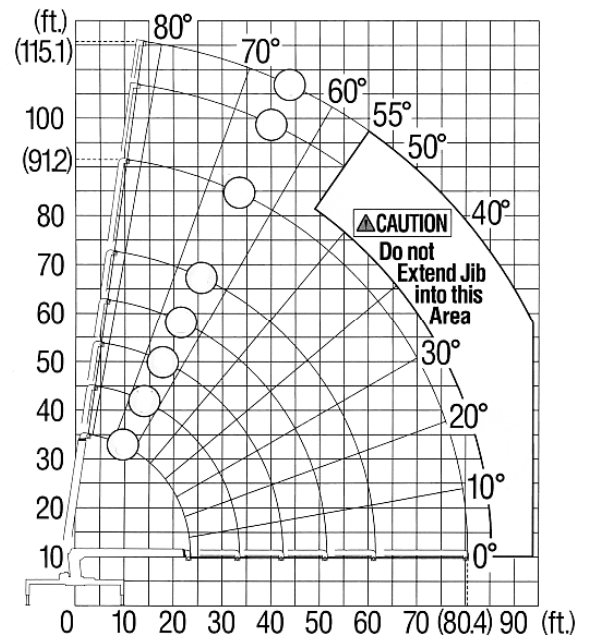


Model UR1504/1582 by SPYDERCRANE.com,LLC

Performance Specifications

Model UR1504/1582 Telescopic Boom Design	
Maximum Lift Capacity	30,000 lbs. @4 ft.
Lift Capacity @ 20 Feet	7,250 lbs.
Lift Capacity @ 40 Feet	2,640 lbs.
Lift Capacity @ 60 Feet	990 lbs
Lift Capacity @ 75 ft.	390 lbs.
Tip Height	91.4 feet
Working Radius	3 feet to 80.4 feet
Boom Length	25 feet to 82 feet
Boom Sections	Four (4)
Swing Rotation	360° Continuous
Out & Down Outriggers	Two Main – Two Auxiliary
Operating Weight	12,100 lbs.
Minimum Chassis	33,000 GVWR

Boom Range Diagram



Model UR1504/1582 Load Chart

BOOM LENGTH						
Boom Radius	25 feet	35 feet	44 feet	53 feet	63 feet	82 feet
4	30000					
5	24000					
8	16800	14200	14200			
10	14200	13400	13000	12600		
12	12200	11500	11100	10800	9430	
15	10100	9530	9130	8830	7730	
20	7250	7530	7030	6730	6430	4700
25		5500	5500	5430	5230	3650
30		4100	4000	4330	4230	3050
35			3000	3300	3350	2560
40			2300	2500	2640	2110
45				1910	1990	1760
50				1430	1600	1520
55					1200	1250
60					890	990
65						770
70						590
75						390