

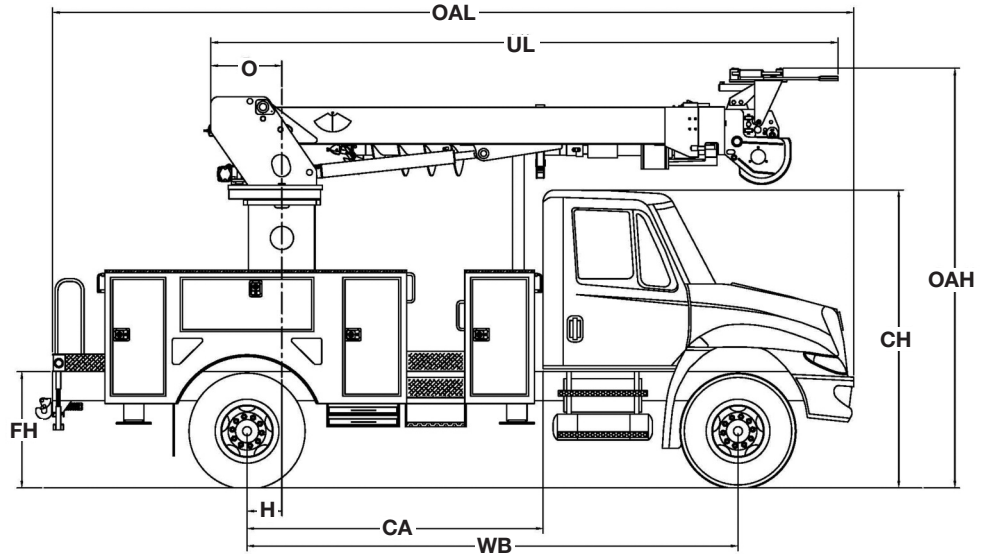


TEREX®

CAPTAIN 3039 SERIES

DIGGER DERRICK

Terex® Telelect Digger Derricks are known throughout the industry. They come with a long history featuring quality and innovative design.



Measurements	Captain 3039
<i>(Minimum Recommendations)</i>	ORA
Typical Frame Height (FH)	40 in. (101.6 cm)
Typical Cab Height (CH)	103 in. (261.6 cm)
Offset (O)	24.5 in. (62.2 cm)
Overall Height (OAH)	11' 9" (3.6 m)
Overall Length (OAL)	21' 11" (6.7 m)
Unit Length (UL)	18' 1" (5.5 m)
Center of Rotation (H)	12 in. (30.5 cm)
Cab to Axle (CA)	102 in. (259.1 cm)
Wheel Base (WB)	174 in. (442 cm)
Front Axle (GAWR)	7,000 lb. (3,175 kg)
Rear Axle (GAWR)	13,000 lb. (5,897 kg)
Gross Vehicle Weight Rating (GVWR)	19,000 lb. (8,618 kg)
Recommend Weight For Stability	19,000 lb. (8,618 kg)
Frame Section Modulus	18.0 in ³
Frame Yield Strength	50,000 psi
Frame RBM	900,000 in-lbs



TEREX®
Utilities

500 Oakwood Drive
PO BOX 1150
Watertown, SD 57201-6150
USA

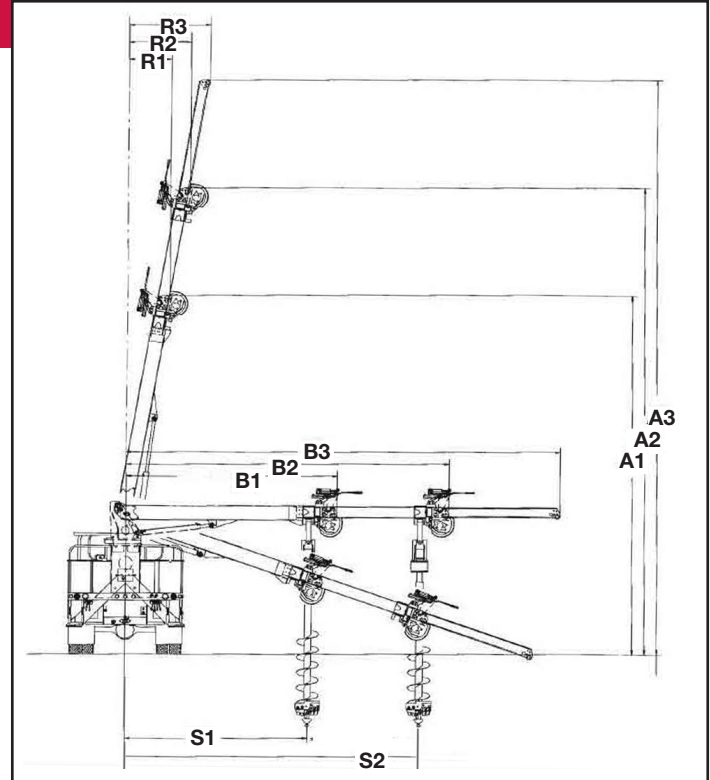
Phone: (605) 882-4000
Facsimile: (605) 882-1842
www.terexutilities.com
E-mail: utilities.info@terex.com

Distributed By:

CAPTAIN 3039 SERIES

STANDARD EQUIPMENT

- 100 Degrees of Boom Travel (+80 to -20)
- Dual Lift Cylinders
- Self-Aligning Swivel Ball Bushings
- Rectangular, Bi-Axial Epoxy Resin, Filament Wound Fiberglass Booms
- Box Fabricated Steel Lower Boom and Intermediate
- Hydraulic Boom Extension Intermediate & Upper
- Full Pressure Hydraulic Controls
- Full Pressure, Open-Center Hydraulic System
- 50 Gallon Hydraulic Oil Reservoir
- Custom Made Zoned Load Chart
- Continuous Unrestricted Rotation
- 15,000 lb. Boom Tip Winch
- Meets or Exceeds ANSI A10.31
- Dual Handle Rack Controls
- Boom Angle Indicator
- Boom Interlock
- Moving Outrigger Alarm
- Truck Level Indicator



CAPACITIES & DIMENSIONAL DATA (Based on a 40 Inch Frame Height)

Model	Maximum Capacity	Capacity @ 10 ft Radius	Sheave Height			Load Radius			Horizontal Reach			Digging Radius	
			A1	A2	A3	R1	R2	R3	B1	B2	B3	S1	S2
Captain 3039													
Boom Tip	24,719 lb	9,479 lb	25.3 ft	32.7 ft	40.0 ft	2.7 ft	4.0 ft	5.4 ft	15.0 ft	22.5 ft	30.0 ft	12.3 ft	19.8 ft
Winch	(11,213 kg)	(4,300 kg)	(7.7 m)	(10.0 m)	(12.2 m)	(0.8 m)	(1.2 m)	(1.6 m)	(4.6 m)	(6.9 m)	(9.1 m)	(3.7 m)	(6.0 m)

OPTIONAL EQUIPMENT

- Various Digger/Augers
 - Auger Storage Left Side (Typical)
 - Auger Storage Right Side (When Specified)
- Fiberglass Personnel Platform
 - Liners With or Without Steps
- Command Post Operator Controls
- Various Types of Controls
- Radio Remote Controls
- Full Pressure Upper Controls
- Single Stick "T" Controls
- Engine Stop/Start and Throttle Advance at Top Controls
- Engine Stop/Start at Lower Controls
- Various Types of Throttle Advance at Lower Controls
- Hydraulic Overload Protection (HOP)
- Turntable Mounted Winch
- Material Handling Jibs
- Transferable Pole Flanges
- Various Sizes of Pole Guides
- Pole Guide Interlock
- Planetary Slip Brake Rotation
- Hydraulic Tool Outlets
- Pole Puller
- Multi-Part Line Components
- Boom Storage Warning Light
- Outrigger Sag Light
- Various Types of Outriggers
- Truck Grounding Cable & Clamp
- Hybrid Enable
- HyPower™ Hybrid System by Terex®

Effective Date: March, 2010. Product specifications and prices are subject to change without notice or obligation. The photographs and/or drawings in this document are for illustrative purposes only. Refer to the appropriate Operator's Manual for instructions on the proper use of this equipment. Failure to follow the appropriate Operator's Manual when using our equipment or to otherwise act irresponsibly may result in serious injury or death. The only warranty applicable to our equipment is the standard written warranty applicable to the particular product and sale and Terex makes no other warranty, express or implied. Products and services listed may be trademarks, service marks or trade-names of Terex Corporation and/or its subsidiaries in the USA and other countries. All rights are reserved. Terex® is a registered trademark of Terex Corporation in the USA and many other countries. Copyright 2010 Terex Corporation.