



## RDC A crane in Your Hand

- Innovative "Single Hand" radio remote control by Hetriconic**
- Transmitter with compact dimensions and minimal weight
  - Proportional speed control
  - Single-hand control of every crane function by radio
  - Radio controlled stabilizers (safety condition)
  - Cable control option (optional)
  - Transmitter operation with two 'AA' batteries.\*



# 300 **FERRARI**

MODELS	LIFTING MOMENT lbf·ft	HORIZ. EXTENSION ft	MAX REACH LIFTING CAPACITY lb	SLEWING ANGLE °	WEIGHT lb	PRESSURE psi	DIMENSION in(BxHxD)
308 A1	6200	6' 3"	980	350	320	2470	24x49x15
308 A2	6100	9' 2"	640	350	390	2470	26x49x15
310 A1	6700	6' 3"	1065	350	320	2610	24x49x15
310 A2	6700	9' 2"	680	350	390	2610	26x49x15
315 A1	9200	6' 3"	1465	335	380	2180	27x49x17
315 A2	9100	9' 2"	955	335	440	2180	29x49x17
317 A1	10300	6' 3"	1650	335	380	2540	27x49x17
317 A2	10200	9' 2"	1080	335	440	2540	29x49x17
322 A1	14500	7' 1"	2025	335	480	2320	28x59x17
322 A2	14300	10' 5"	1355	335	540	2320	29x59x17
322 A3	12900	13' 8"	890	335	580	2320	35x61x17
326 A1	17200	7' 3"	2365	335	530	2540	36x61x17
326 A2	17000	10' 6"	1570	335	590	2540	39x61x17
326 A3	16100	13' 9"	1120	335	630	2540	39x61x17
330 A1	19900	7' 5"	2660	335	580	2320	29x63x17
330 A2	19700	10' 8"	1795	335	660	2320	30x63x17
330 A3	19500	13' 11"	1320	335	710	2320	30x63x17
335 A1	24950	8' 2"	3042	335	670	2320	38x67x20
335 A2	24740	11' 11"	2039	335	750	2320	41x67x20
335 A3	24520	15' 8"	1488	335	820	2320	41x67x20
335 A4	24300	19' 5"	1146	335	880	2320	41x67x20

STANDARD	OPTIONAL
335° Slewing angle 410° Optional mod. 335	US Gal 4,6 Oil Tank
Standard 315 - 317 - 322 - 326 - 330 - 335 (CE) Standard 315 - 317 - 322 - 326 - 330 - 335 (CE) Overload device	

### NECESSARY SPACE FOR INSTALLATION (Inches)

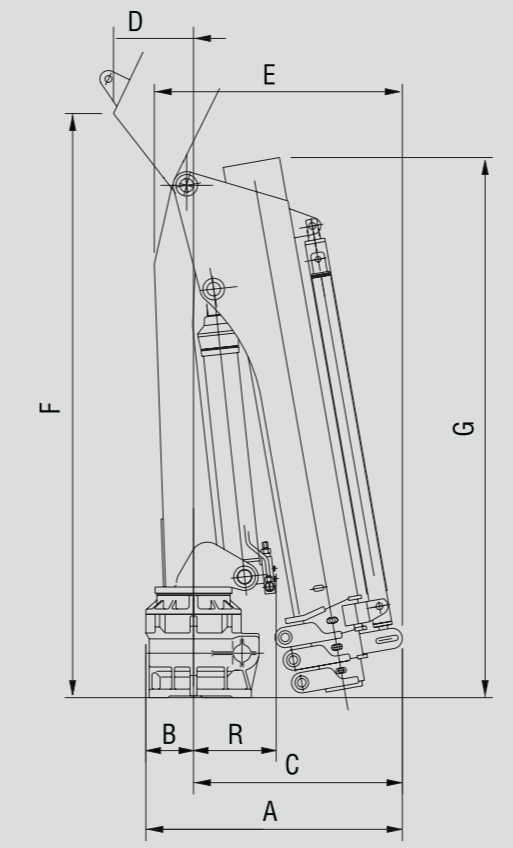
mod.	STD	With Extra function
308A1	13.4	-
308A2	13.4	-
310A1	13.4	-
310A2	13.4	-
315A1	16.6	-
315A2	16.6	-
317A1	16.6	-
317A2	16.6	-
322A1	18.5	18.5
322A2	18.5	18.5
322A3	18.5	18.5
326A1	18.5	18.5
326A2	18.5	18.5
326A3	18.5	18.5
330A1	19.7	-
330A2	19.7	-
330A3	19.7	-
335A1	20	20
335A2	20	20
335A3	20	20
335A4	20	20



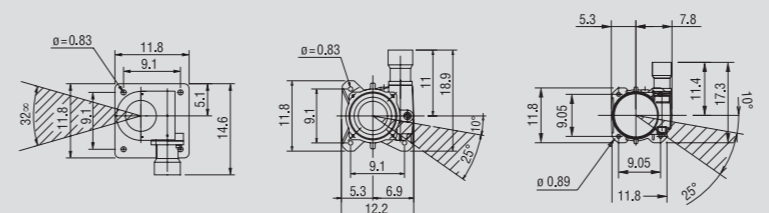
F.lli FERRARI CORPORATION S.p.A.  
Via Pasubio, 3  
42022 Boretto (RE) Italy  
Tel. +39 0522/486311  
Fax +39 0522/486330  
E-mail: marketing@flliferrari.it  
www.flliferrari.com

COMPANY  
WITH QUALITY MANAGEMENT  
SYSTEM CERTIFIED BY DNV  
= ISO 9001/2000 =

M.K.T. 5800128 5/07 3000 REV.1 Data, descriptions and illustrations are merely indicative and not binding. Cranes manufactured and/or marketed by F.lli Ferrari



	A	B	C	D	E	F	G	R
308 A1	23"	4"	19"	13"	20"	52"	49"	6"
308 A2	25"	4"	21"	13"	22"	52"	49"	6"
310 A1	23"	4"	19"	13"	20"	52"	49"	6"
310 A2	25"	4"	21"	13"	22"	52"	49"	6"
315 A1	25"	5"	21"	13"	24"	53"	49"	8"
315 A2	26"	5"	21"	13"	25"	53"	49"	8"
317 A1	25"	5"	21"	13"	24"	53"	49"	8"
317 A2	26"	5"	21"	13"	25"	53"	49"	8"
322 A1	27"	5"	22"	13"	27"	64"	59"	9"
322 A2	28"	5"	23"	13"	28"	64"	59"	9"
322 A3	34"	5"	29"	13"	34"	64"	60"	9"
326 A1	36"	5"	31"	15"	39"	64"	60"	9"
326 A2	39"	5"	34"	15"	39,5"	64"	60"	9"
326 A3	39"	5"	34"	15"	39,5"	64"	60"	9"
330 A1	29"	6"	23"	9"	28"	68"	63"	10"
330 A2	30"	6"	24"	9"	29"	68"	63"	10"
330 A3	30"	6"	24"	9"	29"	68"	63"	10"
335 A1	39"	6"	33"	11"	38"	69"	67"	10"
335 A2	41"	6"	35"	11"	40"	69"	67"	10"
335 A3	41"	6"	35"	11"	40"	69"	67"	10"
335 A4	41"	6"	35"	11"	40"	69"	67"	10"



**308  
310  
inches**

**315  
317  
322  
326  
inches**

**330  
335  
inches**



## FERRARI 300 Series

**INCHES**

# 300 Series



F.LLI FERRARI CORPORATION S.p.A.

# Ferrari®

from 6.000 to 25.000 lb x ft

# 300 Series

The crane 300 Series from F.lli Ferrari has been projected and manufactured with high quality technical and mechanical characteristics

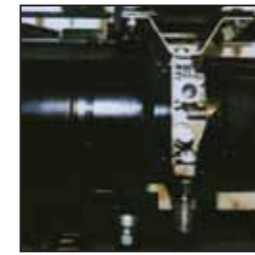
- High tensile strength steel
- Cast base (no 308-310)
- Structure fully sandblasted
- Hexagonal booms
- Hydraulic extensions
- Flanged valves (no 308-310)
- Control panel with customised position
- Control cover of ABS plastic
- Worm and gear rotation
- Independent telescopic cylinders
- Sliding pad on telescopic extensions
- Self-lubricating bushings
- SAE JIC 1514I fittings
- Turning hook
- Mounting kit included

### Accessories

- Extra elements activation (on 322-326-330-335)
- Manually opening outriggers
- Oil Tank
- Mechanical booms
- Turning outriggers
- Electro-hydraulic gearbox
- Load radio checking device RLC
- Limiting device
- Remote control (RDC)



This device shows the load at the hook on a display placed near the controls, making safe the use of the mechanical booms following the European rule EN 12999.



<b>308 A1</b>	ft	3'7"	6'3"	9'2"	12'0"		
	lb	1735	980	650	475		
<b>308 A2</b>	ft	3'9"	6'6"	9'2"	12'0"		
	lb	1625	915	640	475		
<b>310 A1</b>	ft	3'7"	6'3"	9'2"	12'0"		
	lb	1890	1065	695	505		
<b>310 A2</b>	ft	3'9"	6'6"	9'2"	12'0"		
	lb	1760	990	680	505		
<b>315 A1</b>	ft	3'7"	6'3"	9'2"	12'0"		
	lb	2585	1465	980	695		
<b>315 A2</b>	ft	3'9"	6'6"	9'2"	12'0"		
	lb	2420	1385	955	695		
<b>317 A1</b>	ft	3'7"	6'3"	9'2"	12'0"		
	lb	2895	1650	1100	705		
<b>317 A2</b>	ft	3'9"	6'6"	9'2"	12'0"		
	lb	2075	1550	1080	705		
<b>322 A1</b>	ft	4'1"	7'1"	10'5"	13'7"		
	lb	3500	2025	1375	880		
<b>322 A2</b>	ft	4'4"	7'5"	10'5"	13'7"		
	lb	3256	1915	1355	880		
<b>322 A3</b>	ft	4'7"	7'7"	10'8"	13'8"	16'10"	
	lb	2795	1640	1144	890	635	
<b>326 A1</b>	ft	4'2"	7'3"	10'6"	13'9"		
	lb	4100	2365	1580	1155		
<b>326 A2</b>	ft	4'5"	7'5"	10'6"	13'9"		
	lb	3850	2220	1570	1155		
<b>326 A3</b>	ft	4'8"	7'8"	10'9"	13'9"	16'10"	
	lb	3440	2045	1450	1120	900	
<b>330 A1</b>	ft	4'4"	7'5"	10'8"	13'11"		
	lb	4520	2660	1805	1340		
<b>330 A2</b>	ft	4'7"	7'7"	10'8"	13'11"		
	lb	4255	2530	1795	1320		
<b>330 A3</b>	ft	4'10"	7'10"	10'11"	13'11"	17'1"	
	lb	4025	2410	1705	1320	1010	
<b>335 A1</b>	ft	4'9"	8'2"	11'11"	15'8"	19'5"	23'0"
	lb	5270	3040	2060	1520	1170	890
<b>335 A2</b>	ft	5'0"	8'6"	11'11"	15'8"	19'5"	23'0"
	lb	4970	2890	2040	1520	1170	890
<b>335 A3</b>	ft	5'3"	8'8"	12'2"	15'8"	19'5"	23'0"
	lb	4700	2760	1930	1490	1170	890
<b>335 A4</b>	ft	5'6"	8'11"	12'5"	15'11"	19'5"	23'0"
	lb	4430	2610	1830	1400	1150	890

B3

Ferrari