

# X4000-RCC



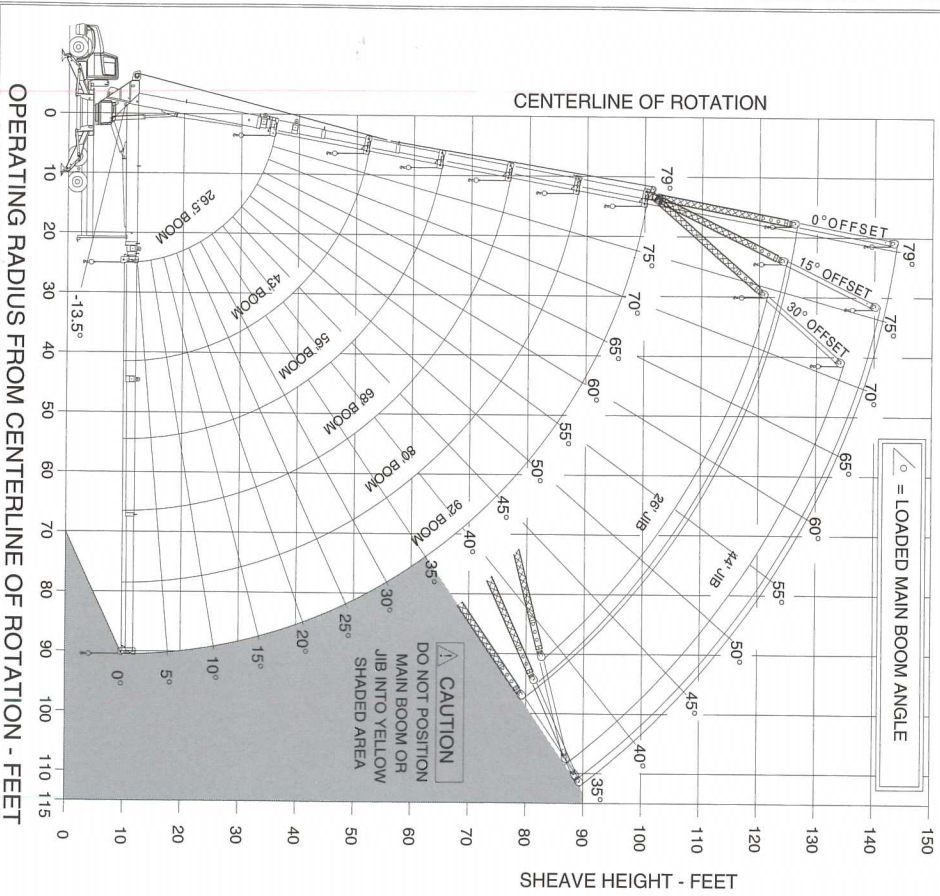
## X4000-RCC (Rotating Control Center)

- 28.8 ton capacity
- 4 section, 92' proportional boom
- 102'-8" main boom maximum sheave height
- Two stage 44' jib, 146' maximum sheave height (15° and 30° offsets)
- Patented "X" outriggers located on the exact center of gravity and center of rotation for ultimate stability
- Continuous rotation
- Overall outrigger spread 19'

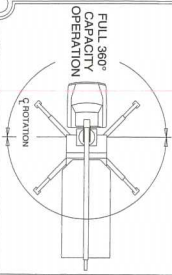
PIONEER CRANES



# RANGE DIAGRAM



## AREA OF OPERATOR



**WARNING**

MIN. 320 FEET OF STD CABLE REQUIRED ON THIS MACHINE

a) 9/16 DIA 6262ERS WMC STRENGTH 9.56F (STD)

b) 9/16 DIA ROTATION RESISTANT 37000 LB BREAK STRENGTH 9.01

KEEP AT LEAST 3 WRAPS OF LOADLINE ON DRUM AT ALL TIMES.

ANTI-TWO-BLOCK SYSTEM MUST BE IN GOOD OPERATING CONDITION BEFORE OPERATING CRANE. REFER TO OWNER'S MANUAL.

**CAUTION**

DEDUCTIONS FROM RATED LOADS FOR LOAD HANDLING DEVICES SUPPLIED BY PIONEER CRANES

OVERHAUL BALL

SINGLE SHEAVE LOAD BLOCK 210 LBS

DOUBLE SHEAVE LOAD BLOCK 340 LBS

TRIPLE SHEAVE LOAD BLOCK 390 LBS



# X4000-RCC

## LOAD RATING CHART

63-00022

### BOOM LOAD RATING IN LBS. WITH OUTRIGGERS EXTENDED AND MACHINE LEVEL

RAD FT.	26.5 FT BOOM	43 FT BOOM	56 FT BOOM	68 FT BOOM	80 FT BOOM	92 FT BOOM
5	57600					
8	38200					
10	32000	25000				
12	27900	22750	77	22400		
14	25300	20400	75	19900	78	18500
16	22100	17950	72	17500	76	16850
20	18600	15200	68	13600	72	12950
24	13750	13100	63	11250	69	10880
30		10500	56	9770	64	8870
35		9170	50	8370	59	7470
40		7170	43	7070	54	6370
45			35	5970	48	5370
50			24	4970	42	4770
55					35	4070
60					26	3470
65					13	2670
70						
75						
80						
85						
90						

### JIB LOAD RATING IN LBS. WITH OUTRIGGERS EXTENDED AND MACHINE LEVEL

RAD FT.	26 FT 0° OFFSET	26 FT 15° OFFSET	26 FT 30° OFFSET	44 FT 0° OFFSET	44 FT 15° OFFSET	44 FT 30° OFFSET
30	5850	3550	2500	3350	3100	2050
35	5100	3400	2400	2830	2560	1750
40	4500	3200	2300	2560	2300	1650
45	3850	2960	2200	2150	2150	1550
50	3300	2700	2100	1950	1950	1450
55	2800	2500	2000	1800	1800	1350
60	2450	2200	1850	1600	1600	1250
65	2100	1850	1650	1450	1450	1150
70	1800	1550	1450	1300	1300	1050
75	1500	1300	1300	1150	1150	950
80	1250	1050	1150	1000	1000	850
85	1000	850	950	900	900	750
90	800	700	750	750	750	650
95	600	41	43	49	49	49
100	390	37	38	45	45	45
105				42	42	42
110				38	38	38
115				400	43	41

**1 PART LINE**

OVERHAUL BALL  
9,680 LBS.  
7,400 LBS.

**2 PART LINE**

STD CABLE  
10,200 LBS.  
14,800 LBS.

**3 PART LINE**

STD CABLE  
28,800 LBS.  
22,200 LBS.

**4 PART LINE**

DOUBLE SHEAVE LOAD BLOCK  
38,400 LBS.  
29,600 LBS.

**5 PART LINE**

DOUBLE SHEAVE LOAD BLOCK  
11,500 LBS.  
8,800 LBS.

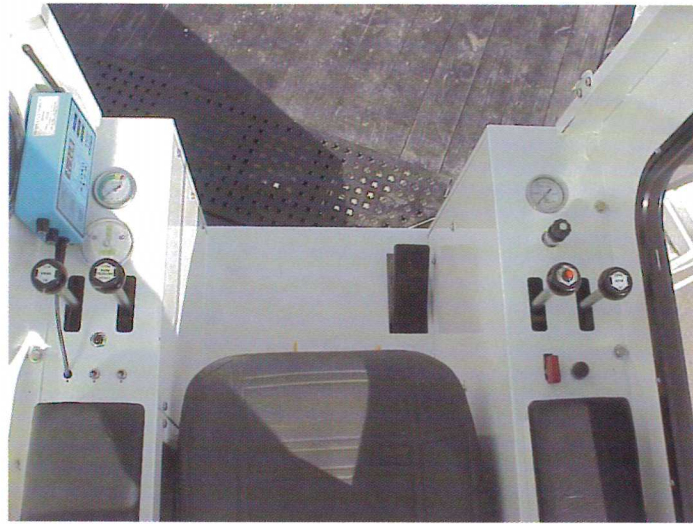
**6 PART LINE**

TRIPLE SHEAVE LOAD BLOCK  
57,600 LBS.  
44,400 LBS.

# PIONEER X4000-RCC



# Safety & Increased Productivity



## ***X4000-RCC (Rotating Control Center)***

- Patented X outrigger system provides most stable crane on the market
- Dual outrigger control system - ground and control center operated for increased safety
- Mounting style remains behind the cab with choice of 18'-20' flatbed styles
- Armchair style, standard ANSI controls
- New hydra-max hydraulic system with minimal system back pressure and improved control characteristics
- Full continuous rotation in 45 seconds
- Swing lockout system disables swing function until outriggers are deployed
- Heavy duty tandem motor two-speed winch with maximum 230 fpm
- Full boom extension and retraction in 60 seconds each
- Boom angle indicator mounted on boom hoist cylinder for easy visual reference
- Retractable steps and grab rails for easy access on and off
- Radio ATB system has radio sender built into switch mechanism with quick transfer from boom to jib tip
- Extra control valve and actuation switch for optional hydraulic features (roofers package)



## ***Optional Cab Enclosure Features:***

- Dome light
- Safety glass
- Windshield wiper
- Heater / defroster / fan
- 3-way adjustable cushioned seat
- Cab mounted flood light

**PIONEER X4000-RCC**

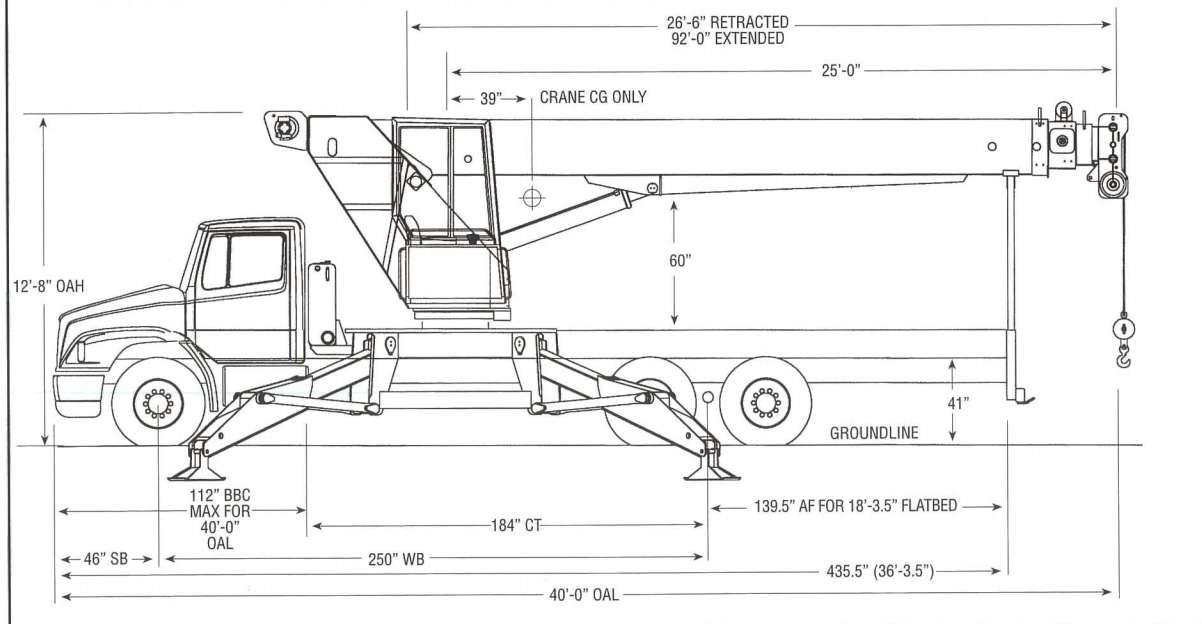


## Minimum Truck Chassis Requirements

Gross Vehicle Weight Rating:	52,000 lbs.
Front Axle Weight Rating:	18,000 lbs.
Rear Axle Weight Rating:	34,000 lbs.
Wheelbase:	250 inches
Cab-to-Axle:	184 inches
Frame Section Modulus:	30 inches <sup>3</sup>
RBM Per Frame Rail:	3,300,000 in. lbs.

Consult factory for special applications.

Do not operate crane, booms, jib extensions, any accessories, or loads within ten (10) feet (3 meters) of live power lines or other conductors of electricity.



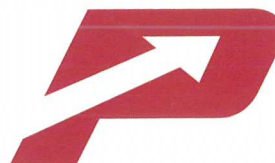
### Standard Equipment:

- Patented X type outrigger design
- Continuous rotation
- Radio ATB system
- Heavy duty two-speed winch
- Dual outrigger control system
- Electronic throttle
- Rotating Control Center
- Dial-a-Swing rotation speed control
- Two-speed hydraulic boom extension system
- Hydraulic Pressure gauges
- Capacity alert indicator gauge
- Three-sheave boom tip
- Two section 44' jib with 15 and 30 degree offsets
- Back-up alarm
- Non-skid steps and operator's platform
- Air shift PTO
- Winch cable tension roller
- Rear underide bumper
- Turret and shearball bearing
- Planetary rotation gearbox with integral brake
- Gearbox motor with integral counterbalance valves
- Four-section proportional boom
- 320' of 9/16" 6x25 IWRC EIPS wire rope
- Three-section vane pump
- Hydraulic shut-down capacity alert
- Maximum theoretical line speed: 230 fpm
- Maximum bottom layer line pull: 12,150 lbs.
- ANSI B30.5/OSHA 1910.180/OSHA 1926.550
- Engine start/stop switch at control station
- 100 gallon hydraulic reservoir including hydraulic fluid
- 10-micron return filter with element replacement indicator
- Suction line shut-off valve
- Reservoir temperature/level gauge

- Suction strainer with by-pass
- Boom rest (removable)
- Overhaul ball with swivel hook
- Fully painted
- Complete with decals and warning placards
- Manuals
- Custom installation on truck chassis

### Optional Equipment:

- Enclosed Cab
- Heater
- 2-man personnel basket
- Single man personnel basket
- Hydraulic hose reel
- Oil Cooler
- Spin resistant cable
- Load blocks
- Bed
- Tool Boxes
- Load monitor



**Pioneer Cranes**  
 301A Duck Road  
 Grandview, MO 64030-1664  
 Tele: 816-761-9494  
 Fax: 816-761-6999  
 Toll Free: 800-683-3082

PIONEER X4000-RCC