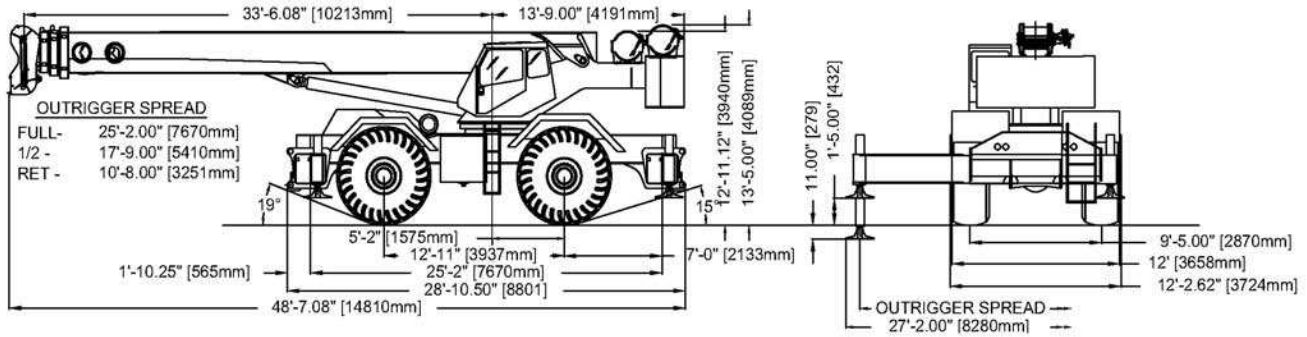




GENERAL DIMENSIONS

- Dimensions given assume the boom is fully retracted in travel position and 33.25 x 29 tires.
- Minimum ground clearance under: Hydraulic Reservoir-21.0", Access ladders-17.25"



WEIGHTS & AXLE LOADS	GROSS WEIGHT LB	UPPER FACING FRONT		GROSS WEIGHT KG	UPPER FACING FRONT	
		FRONT	REAR		FRONT	REAR
Base Crane with 25,610 lb (11 616kg) Counterweight	116,588	49,466	67,122	52 883	22 437	30 446
Add Options:						
38'-60" (11.58-18.29 m) Swing-on Jib (Stowed)	+ 2,688	+ 3,870	- 1,182	+ 1 219	+ 1 755	- 536
Auxiliary Boom Head	+ 142	+ 447	- 305	+ 64	+ 202	- 138
Auxiliary Winch with 6x37 Wire Rope	+ 718	- 460	+ 1,178	+ 326	- 208	+ 534
100T (90.7 mt) 7-Sheave Hook Block	+ 2,120	+ 3,556	- 1,436	+ 962	+ 1 613	- 651
100T (90.7 mt) 6-Sheave Hook Block	+ 1,735	+ 2,910	- 1,175	+ 787	+ 1 320	- 533
75T (68.0 mt) 5-Sheave Hook Block	+ 1,608	+ 2,697	- 1,089	+ 729	+ 1 223	- 494
9.2T (10.8 mt) Hook and Ball	+ 722	+ 759	- 37	+ 327	+ 344	- 17
Pinle Hook - Rear	+ 45	- 25	+ 70	+ 20	- 11	+ 31
Substitute:	+ 110	- 60	+ 170	+ 50	- 27	+ 77
690' (210.2 m) of 18x19 class spin resistant wire rope						
29.5x29-34 PR Tires	- 1,776	- 888	- 888	- 806	- 403	- 403

Note: Weights are for Terex supplied equipment and are subject to 2% variation due to manufacturing tolerances.

TEREX Cranes
 106-12th Street S.E.
 Waverly, Iowa 50677-9466 USA

TEL (319) 352-3920 FAX (319) 352-5727
 EMAIL inquire@terexwaverly.com
 WEB terex.com

WE RESERVE THE RIGHT TO AMEND THESE SPECIFICATIONS AT ANY TIME WITHOUT NOTICE. THE ONLY WARRANTY APPLICABLE IS OUR STANDARD WRITTEN WARRANTY APPLICABLE TO THE PARTICULAR PRODUCT AND SALE. WE MAKE NO OTHER WARRANTY, EXPRESSED OR IMPLIED.