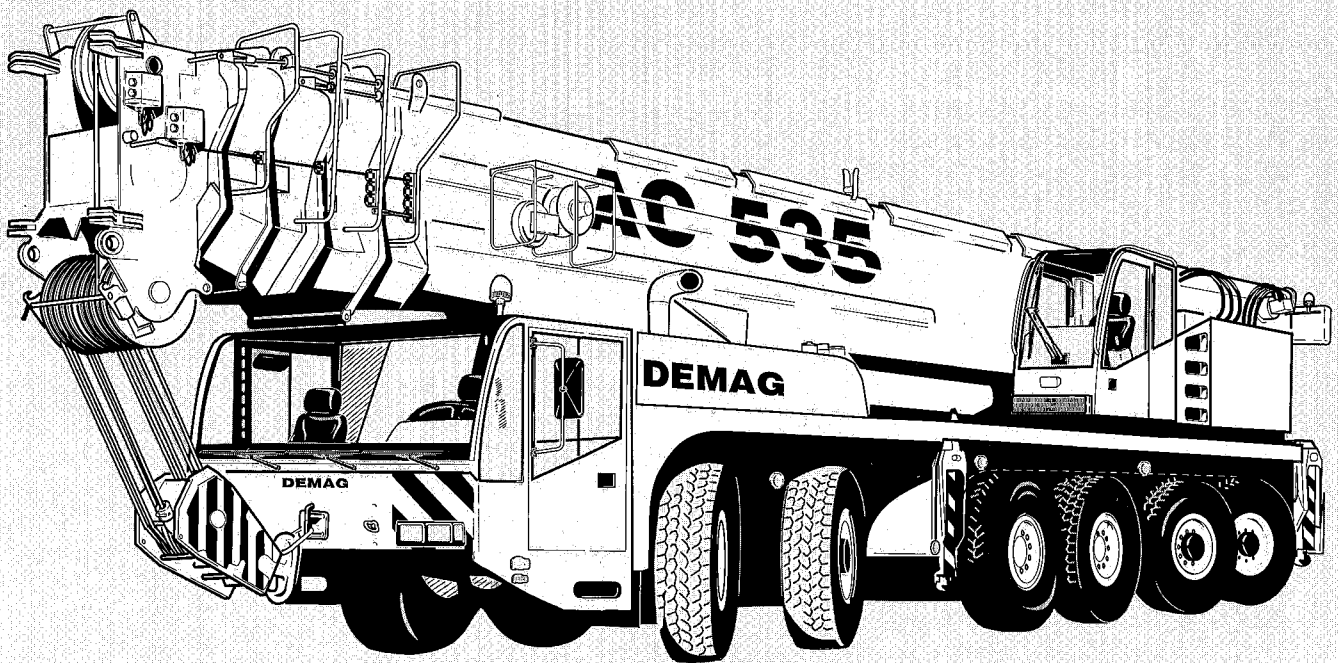


DEMAG
Material Handling Equipment

Mobile Cranes

Demag AC 535



Key

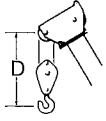


counterweight



Lifting capacities on outriggers 360°

"D"



Contents

Specifications

Dimensions	4
Specifications	8

Main boom

Working ranges	9
Lifting capacities	10

Main boom extension

Working ranges, main boom 181.1 ft	18
Lifting capacities (181.1 ft + 31.8 ft/47.5 ft/67.2 ft)	19
Working ranges, main boom 197.0 ft	20
Lifting capacities (197.0 ft + 31.8 ft/47.5 ft/67.2 ft)	21
Working ranges, main boom 181.1 ft	22
Lifting capacities (181.1 ft + 86.9 ft/106.6 ft/126.3 ft)	23
Working ranges, main boom 197.0 ft	24
Lifting capacities (197.0 ft + 86.9 ft/106.6 ft)	25

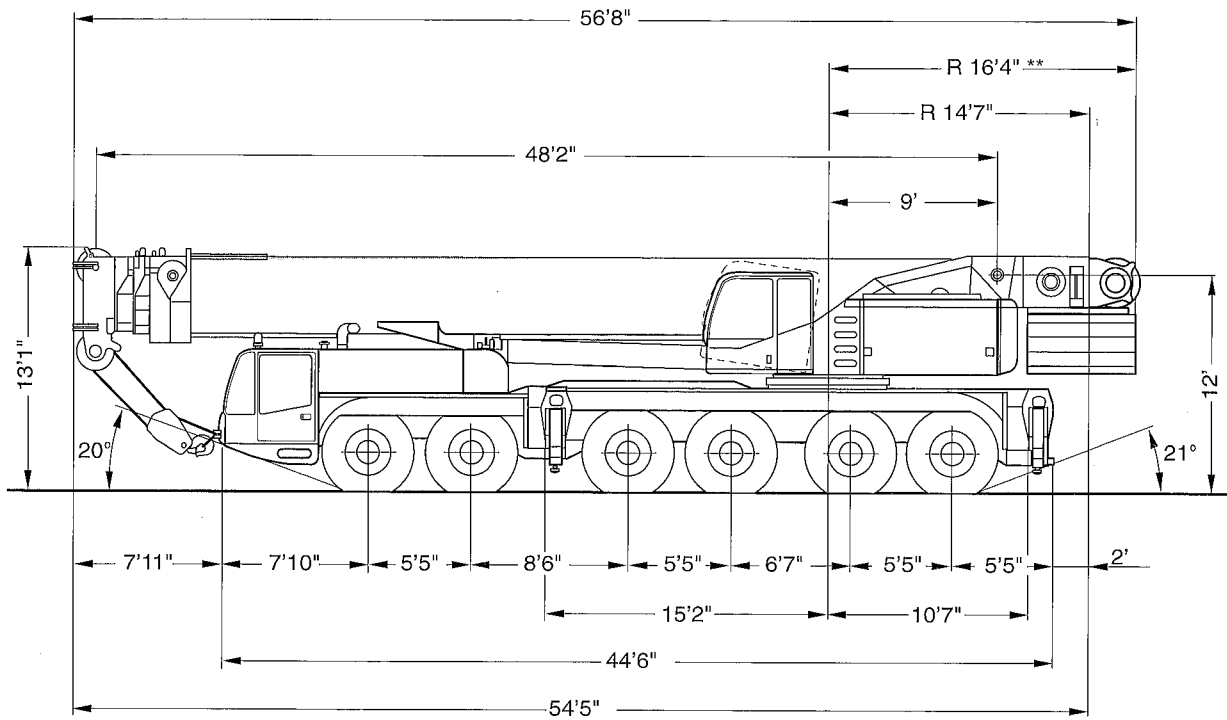
Luffing fly jib

Lifting capacities, main boom (48.2 ft)	26
Lifting capacities, main boom (81.7 ft)	27
Lifting capacities, main boom (114.8 ft)	29
Working ranges, main boom 82° to 65° (48.2 ft/81.7 ft/114.8 ft)	30
Working ranges, main boom 82° to 65° (131.6 ft/148.0 ft/164.7 ft/181.1 ft)	31
Lifting capacities, main boom (131.6 ft + 148.0 ft)	32
Lifting capacities, main boom (164.7 ft + 181.1 ft)	33

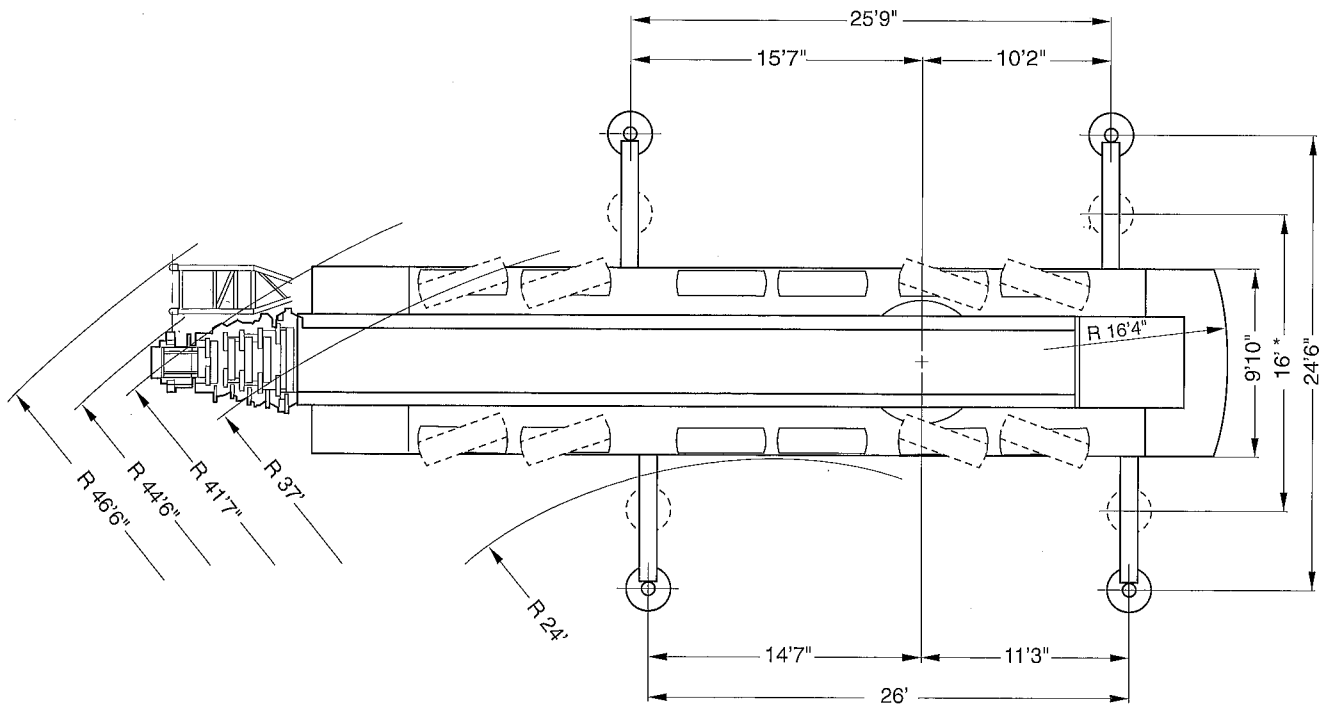
Technical description

Carrier · Superstructure · Optional equipment	34
---	----

Dimensions of 6-axle-carrier

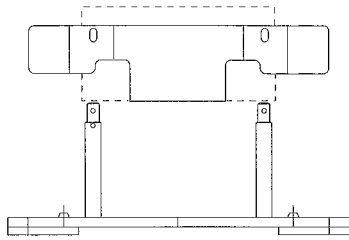


**up to 88,000 lb

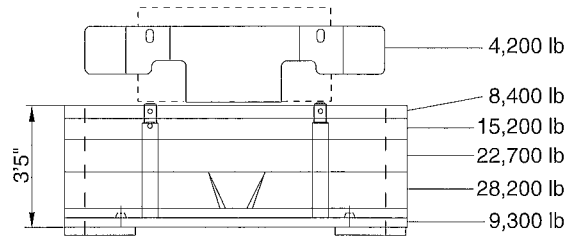


* Duties with reduced outrigger base on request

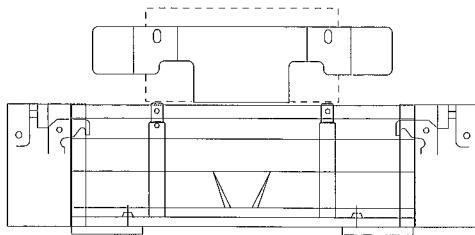
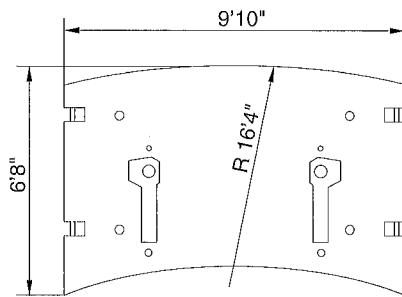
Dimensions of 6-axle-carrier



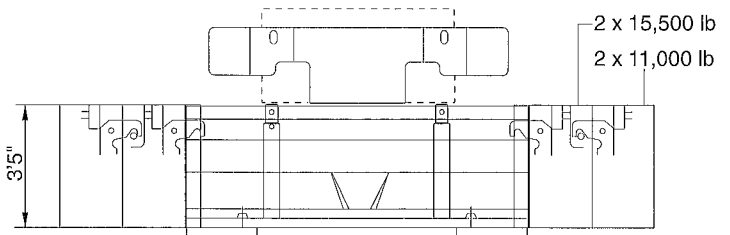
13,500 lb (9,200 lb carrier + 4,300 lb superstructure)
counterweight + hoist II
or equivalent weight for hoist II



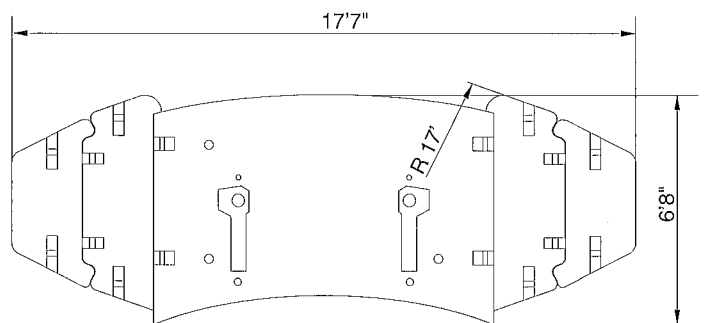
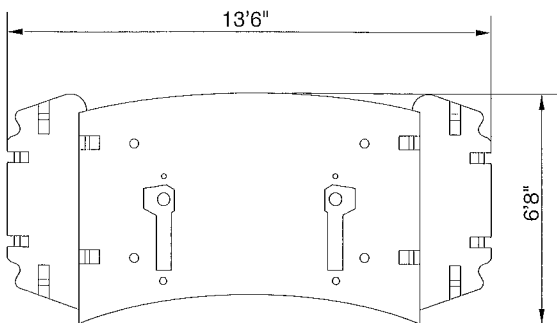
88,000 lb counterweight



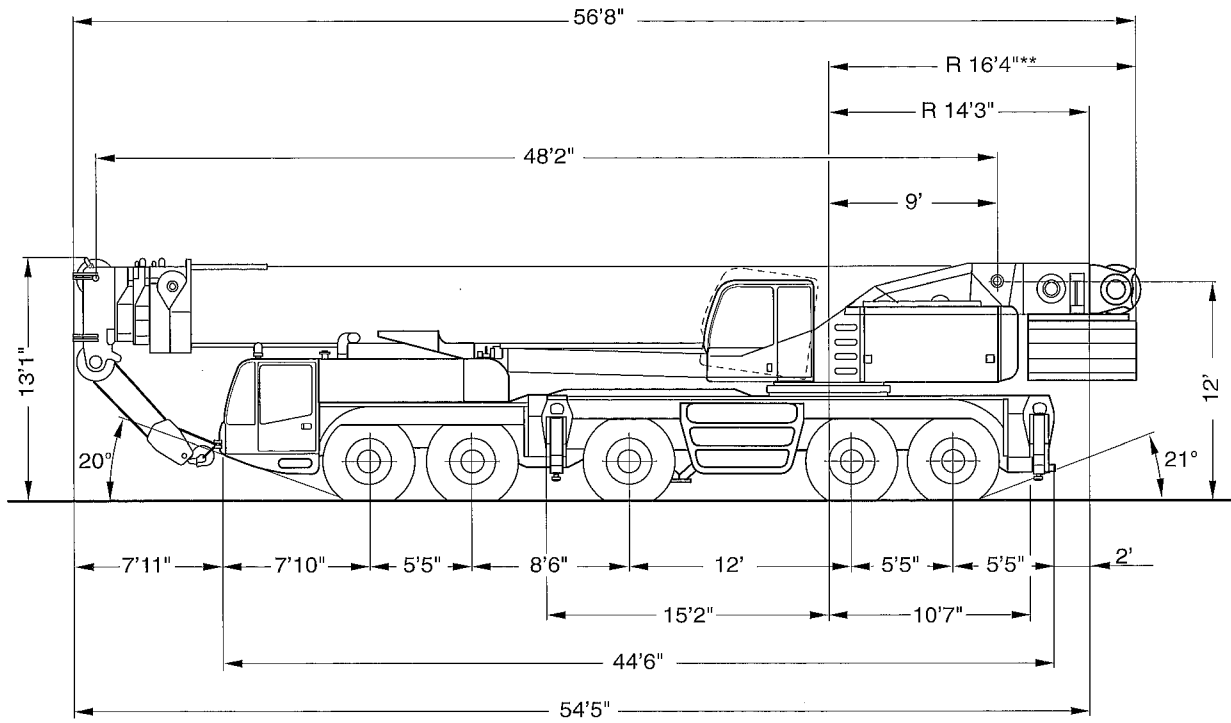
119,000 lb counterweight (optional)



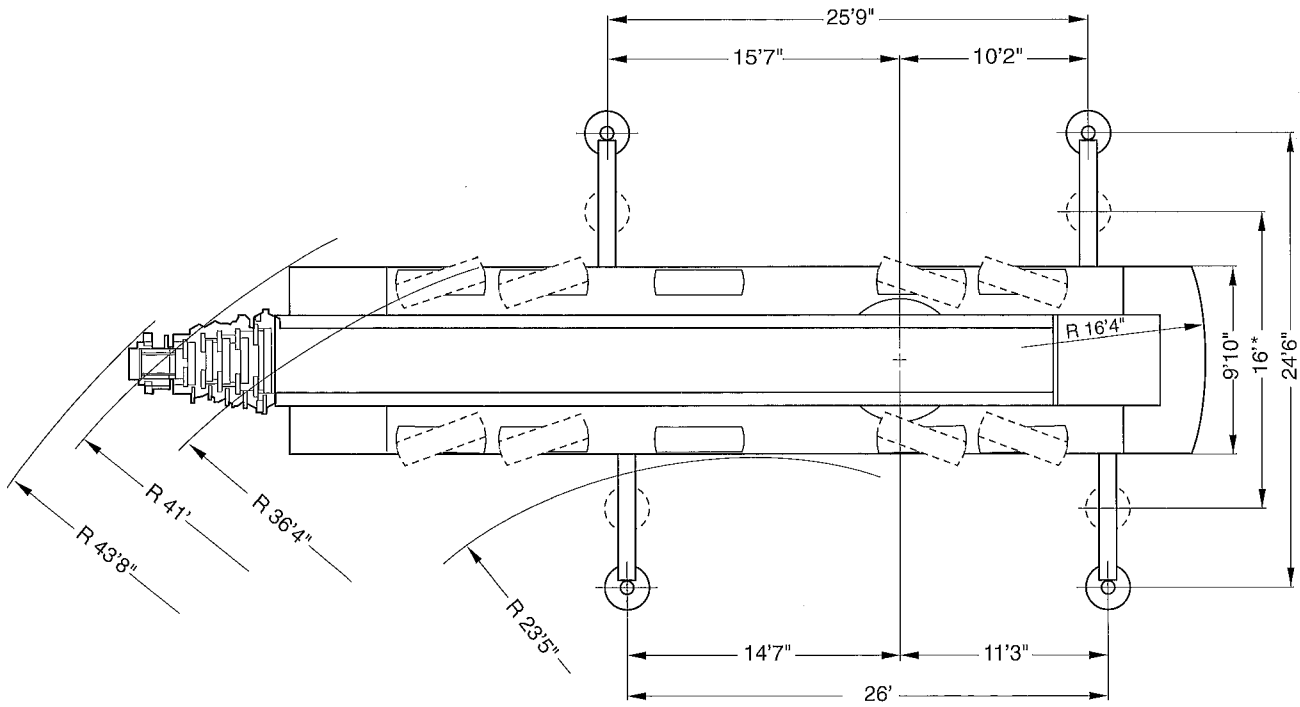
141,000 lb counterweight (optional)



Dimensions of 5-axle carrier (option)

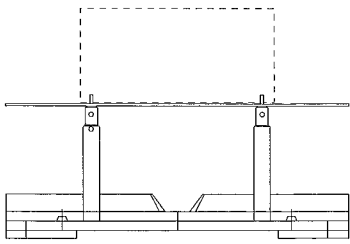


** up to 88,000 lb

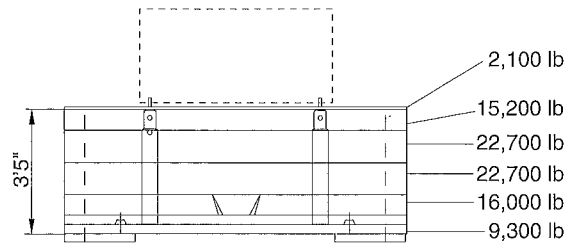


* Duties with reduced outrigger base on request

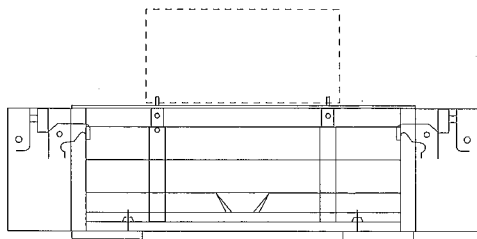
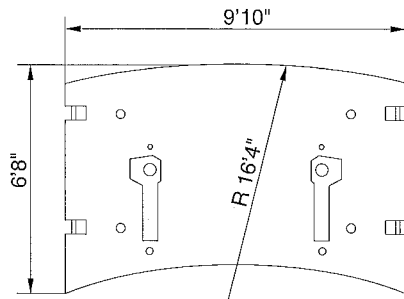
Dimensions of 5-axle carrier (option)



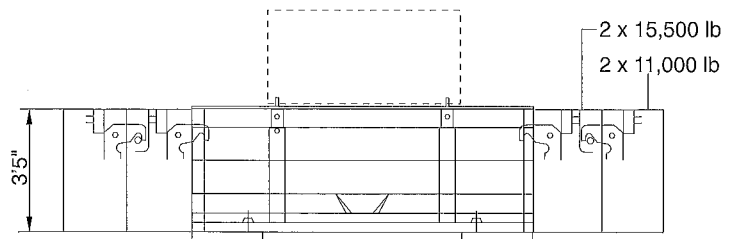
27,500 lb counterweight + hoist II
or equivalent weight for hoist II



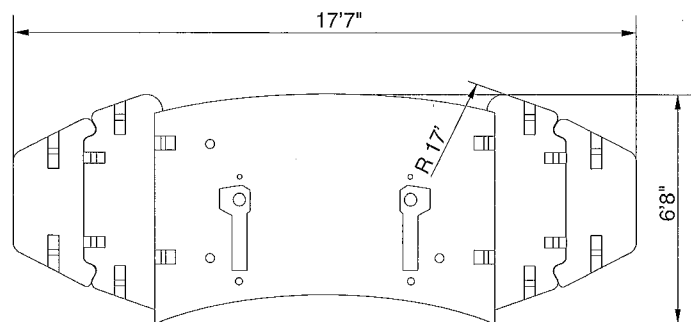
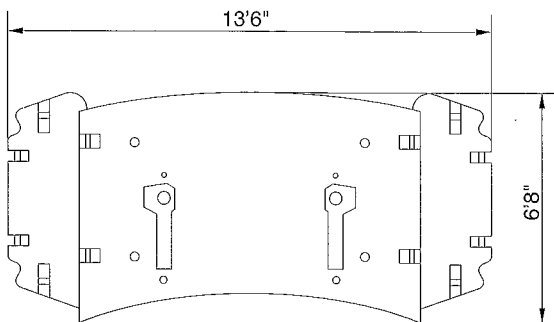
88,000 lb counterweight



119,000 lb counterweight (optional)



141,000 lb counterweight (optional)



Specifications

Working speeds (infinitely variable)

Mechanisms	Normal speed	High speed	Max. permissible line pull ¹⁾	Rope ϕ / Rope length
Hoist I	131 ft/min	400 ft/min	21,000 lb	23 mm / 984 ft
Hoist II	131 ft/min	400 ft/min	21,000 lb	23 mm / 984 ft
Slewing				max. 1.5 ¹ /min
Telescoping speed				48.2 – 81.7 ft: 40 s 48.2 – 114.8 ft: 85 s 48.2 – 197.0 ft: 250 s
Boom elevation				-1.3° – +82.5°: 85 s

Carrier performance

Travel speed	0..45/49 mph ²⁾
Gradeability	65 %
Ground clearance	1'4" / 1'6" ²⁾

Hook block/Single line hook

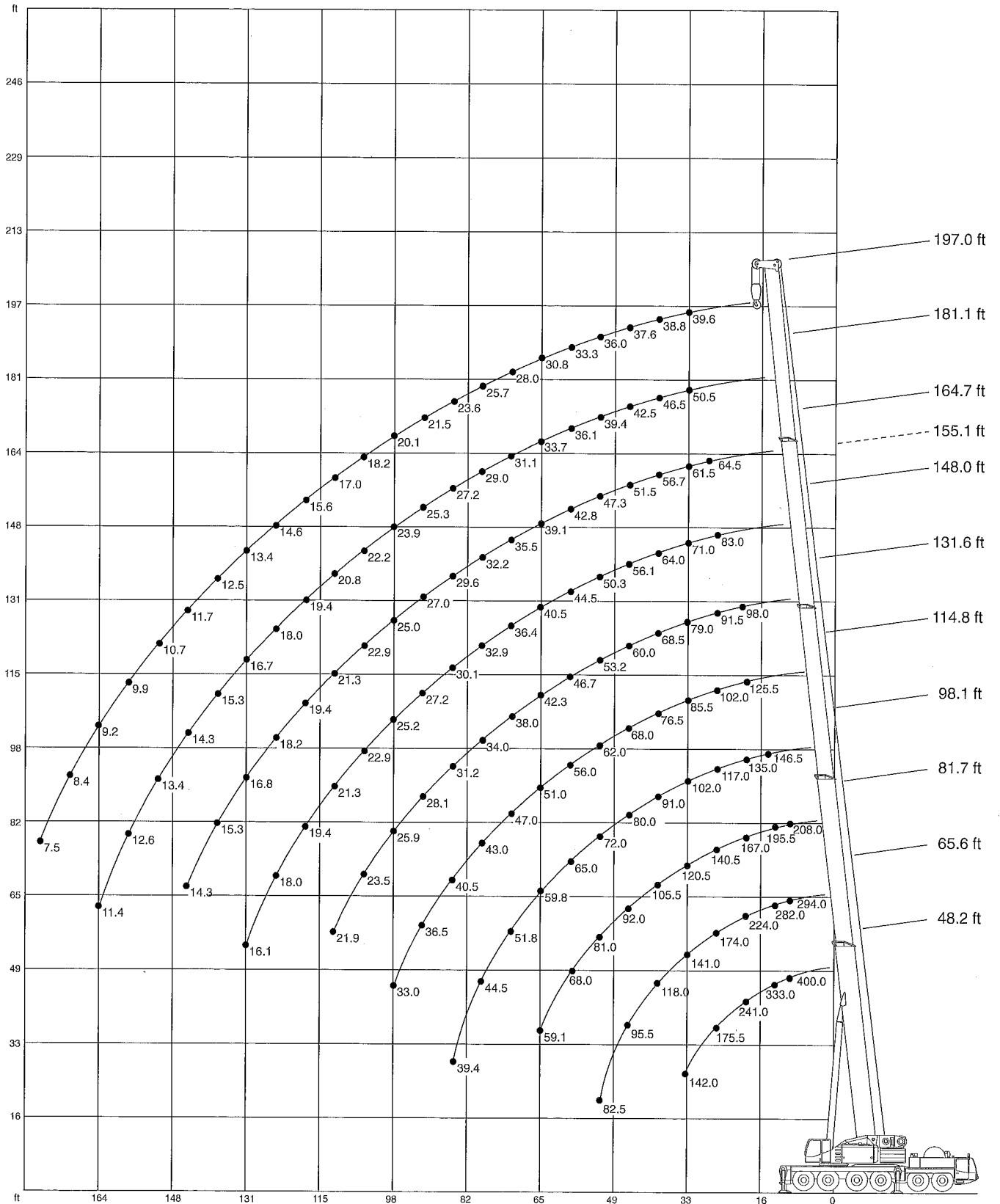
Type	Possible load ¹⁾	Number of sheaves	Weight	„D“	Max. reeving	Heavy-lift attachment
200	396,800 lb	11	4.400 lb	10 ft	22	5 add. sheaves
200	357,200 lb	9	4.200 lb	10 ft	19	5 add. sheaves
160	286,600 lb	7	3.300 lb	10 ft	15	2 add. sheaves
125	213,800 lb	5	2.600 lb	10 ft	11	-
80	138,900 lb	3	2.300 lb	10 ft	7	-
40	61,700 lb	1	1.700 lb	9 ft	3	-
12,5	20,500 lb	Single line hook	1.100 lb	7 ft	1	-

Remarks

¹⁾ varies depending on national regulations

²⁾ depending on type of tires (14.00/16.00)

Working ranges main boom



Lifting capacities main boom

141,000 lb



360°

85%

Radius ft	Main boom											
	48.2 ft**	48.2 ft	65.6 ft	81.7 ft	98.1 ft	114.8 ft	114.8 ft	131.6 ft	148.0 ft	164.7 ft	181.1 ft	197.0 ft
	1,000 lb											
10	400.0 ¹⁾	338.0	294.0	208.0	-	-	-	-	-	-	-	-
11	375.0 ¹⁾	321.0	290.0	203.0	-	-	-	-	-	-	-	-
13	333.0 ¹⁾	290.0	282.0	195.5	-	-	-	-	-	-	-	-
15	300.0 ¹⁾	264.0	263.0	185.0	146.5	-	-	-	-	-	-	-
16	285.0 ¹⁾	253.0	251.0	180.0	143.5	-	-	-	-	-	-	-
19	241.0	224.0	224.0	167.0	135.0	125.5	109.0	-	-	-	-	-
23	198.0	193.5	192.0	150.5	124.0	111.0	101.0	98.0	-	-	-	-
26	175.5	175.5	174.0	140.5	117.0	102.0	96.0	91.5	83.0	-	-	-
29	159.0	159.0	159.0	131.5	110.0	94.5	91.0	85.5	78.0	64.5	-	-
33	142.0	142.0	141.0	120.5	102.0	85.5	85.5	79.0	71.0	61.5	50.5	39.6
39	-	-	118.0	105.5	91.0	74.5	76.5	68.5	64.0	56.7	46.5	38.8
46	-	-	95.5	92.0	80.0	63.5	68.0	60.0	56.1	51.5	42.5	37.6
52	-	-	82.5	81.0	72.0	56.5	62.0	53.2	50.3	47.3	39.4	36.0
59	-	-	-	68.0	65.0	49.6	56.0	46.7	44.5	42.8	36.1	33.3
65	-	-	-	59.1	59.8	44.6	51.4	42.3	40.5	39.1	33.7	30.8
72	-	-	-	-	51.8	39.8	47.0	38.0	36.4	35.5	31.1	28.0
79	-	-	-	-	44.5	35.8	43.3	34.0	32.9	32.2	29.0	25.7
85	-	-	-	-	39.4	32.7	40.6	31.2	30.1	29.6	27.2	23.6
92	-	-	-	-	-	29.7	36.7	28.1	27.2	27.0	25.3	21.5
98	-	-	-	-	-	27.7	33.1	25.9	25.2	25.0	23.9	20.1
105	-	-	-	-	-	-	-	23.5	22.9	22.9	22.2	18.2
111	-	-	-	-	-	-	-	21.9	21.3	21.3	20.8	17.0
118	-	-	-	-	-	-	-	-	19.4	19.4	19.4	15.6
124	-	-	-	-	-	-	-	-	18.0	18.2	18.0	14.6
131	-	-	-	-	-	-	-	-	16.1	16.8	16.7	13.4
138	-	-	-	-	-	-	-	-	-	15.3	15.3	12.5
144	-	-	-	-	-	-	-	-	-	14.3	14.3	11.7
151	-	-	-	-	-	-	-	-	-	-	13.4	10.7
157	-	-	-	-	-	-	-	-	-	-	12.6	9.9
164	-	-	-	-	-	-	-	-	-	-	11.4	9.2
170	-	-	-	-	-	-	-	-	-	-	-	8.4
177	-	-	-	-	-	-	-	-	-	-	-	7.5

Boom extension sequence in %

Tele 1	0	0	23	45	45	90	45	90	90	90	90	100
Tele 2	0	0	23	45	45	90	45	90	90	90	90	100
Tele 3	0	0	0	0	45	0	45	45	90	90	90	100
Tele 4	0	0	0	0	0	0	45	0	0	45	90	100

Remarks

** special equipment required

1) only 0° over rear

Lifting capacities main boom

119,000 lb



360°

85%


Radius ft	Main boom										
	48.2 ft	65.6 ft	81.7 ft	98.1 ft	114.8 ft	114.8 ft	131.6 ft	148.0 ft	164.7 ft	181.1 ft	197.0 ft
	1,000 lb										
10	334.0	294.0	208.0	-	-	-	-	-	-	-	-
11	317.0	290.0	203.0	-	-	-	-	-	-	-	-
13	286.0	282.0	195.5	-	-	-	-	-	-	-	-
15	259.0	259.0	185.0	146.5	-	-	-	-	-	-	-
16	249.0	249.0	180.0	143.5	-	-	-	-	-	-	-
19	221.0	221.0	167.0	135.0	125.5	109.0	-	-	-	-	-
23	190.0	190.0	150.5	124.0	111.0	101.0	98.0	-	-	-	-
26	172.0	172.0	140.5	117.0	102.0	96.0	91.5	83.0	-	-	-
29	156.5	156.5	131.5	110.0	94.5	91.0	85.5	78.0	64.5	-	-
33	135.5	134.5	120.5	102.0	85.5	85.5	79.0	71.0	61.5	50.5	39.6
39	-	110.5	105.5	91.0	74.5	76.5	68.5	64.0	56.7	46.7	38.8
46	-	89.0	88.0	80.0	63.5	68.0	60.0	56.1	51.5	42.5	37.6
52	-	71.5	71.5	72.0	56.5	62.0	53.2	50.3	47.3	39.4	36.0
59	-	-	58.0	60.5	49.6	56.0	46.7	44.5	42.8	36.1	33.3
65	-	-	49.1	51.6	44.6	51.4	42.3	40.5	39.1	33.7	30.8
72	-	-	-	43.2	39.8	45.7	38.0	36.4	35.5	31.1	28.0
79	-	-	-	36.6	33.7	39.2	34.0	32.9	32.2	29.0	25.7
85	-	-	-	32.1	28.9	34.6	30.8	30.1	29.6	27.2	23.6
92	-	-	-	-	24.1	30.1	26.1	27.2	27.0	25.3	21.5
98	-	-	-	-	20.9	26.7	22.7	24.0	25.0	23.9	20.1
105	-	-	-	-	-	-	19.1	20.4	22.7	22.2	18.2
111	-	-	-	-	-	-	16.7	18.0	20.0	20.8	17.0
118	-	-	-	-	-	-	-	15.4	17.4	18.9	15.6
124	-	-	-	-	-	-	-	13.4	15.4	16.9	14.6
131	-	-	-	-	-	-	-	11.5	13.3	14.8	13.4
138	-	-	-	-	-	-	-	-	11.4	12.9	12.5
144	-	-	-	-	-	-	-	-	10.2	11.5	11.7
151	-	-	-	-	-	-	-	-	-	10.1	10.1
157	-	-	-	-	-	-	-	-	-	8.9	8.9
164	-	-	-	-	-	-	-	-	-	7.7	7.7
170	-	-	-	-	-	-	-	-	-	-	6.7
177	-	-	-	-	-	-	-	-	-	-	5.7

Boom extension sequence in %

Tele 1	0	23	45	45	90	45	90	90	90	90	100
Tele 2	0	23	45	45	90	45	90	90	90	90	100
Tele 3	0	0	0	45	0	45	45	90	90	90	100
Tele 4	0	0	0	0	0	45	0	0	45	90	100

Lifting capacities main boom

88,000 lb 

 360°

85%

Radius	Main boom													
	48.2 ft	65.6 ft	81.7 ft	98.1 ft	114.8 ft	114.8 ft	114.8 ft	131.6 ft	131.6 ft	148.0 ft	155.1 ft	164.7 ft	181.1 ft	197.0 ft
ft	1,000 lb													
10	327.0	294.0	208.0	-	-	-	-	-	-	-	-	-	-	-
11	310.0	290.0	203.0	-	-	-	-	-	-	-	-	-	-	-
13	281.0	278.0	195.5	-	-	-	-	-	-	-	-	-	-	-
15	255.0	255.0	185.0	146.5	-	-	-	-	-	-	-	-	-	-
16	244.0	244.0	180.0	143.5	-	-	66.5	-	-	-	-	-	-	-
19	217.0	217.0	167.0	135.0	125.5	109.0	62.0	-	66.5	-	-	-	-	-
23	187.0	187.0	150.5	124.0	111.0	101.0	56.1	98.0	60.0	-	-	-	-	-
26	164.5	164.5	140.5	117.0	102.0	96.0	51.9	91.5	56.3	83.0	51.7	-	-	-
29	144.5	144.5	131.5	110.0	94.5	91.0	48.0	85.5	52.4	78.0	49.3	64.5	-	-
33	123.5	122.5	120.0	102.0	85.5	85.5	43.7	79.0	48.1	71.0	46.1	61.5	50.5	39.6
39	-	93.0	92.0	91.0	74.5	76.5	38.4	68.5	42.4	64.0	41.3	56.7	46.7	38.8
46	-	69.0	68.0	71.5	63.5	68.0	33.4	60.0	37.4	56.1	36.3	51.5	42.5	37.6
52	-	56.1	55.5	58.1	54.7	60.5	30.0	53.2	33.8	50.3	32.7	47.3	39.4	36.0
59	-	-	43.9	46.3	43.5	49.4	26.9	45.4	30.4	44.5	29.1	42.8	36.1	33.3
65	-	-	36.6	38.9	36.0	41.7	24.7	38.2	28.0	39.3	26.7	39.1	33.7	30.8
72	-	-	-	32.1	28.8	34.7	22.3	31.0	25.4	32.5	24.3	34.5	31.1	28.0
79	-	-	-	26.5	23.1	29.3	20.4	25.1	23.2	26.7	22.1	29.1	28.9	25.7
85	-	-	-	22.4	19.1	25.3	19.0	21.1	21.6	22.6	20.5	24.9	26.5	23.6
92	-	-	-	-	15.3	21.3	17.6	17.3	20.2	18.6	18.9	20.8	22.6	21.5
98	-	-	-	-	12.7	18.5	16.4	14.5	19.0	15.8	17.7	18.0	19.8	19.7
105	-	-	-	-	-	-	-	11.6	17.6	13.0	16.5	14.9	16.7	16.9
111	-	-	-	-	-	-	-	9.6	16.6	10.9	15.5	12.9	14.5	14.7
118	-	-	-	-	-	-	-	-	-	8.8	14.5	10.8	12.3	12.6
124	-	-	-	-	-	-	-	-	-	7.2	12.9	9.0	10.7	10.7
131	-	-	-	-	-	-	-	-	-	5.5	11.2	7.3	8.8	9.0
138	-	-	-	-	-	-	-	-	-	-	9.6	5.9	7.4	7.4
144	-	-	-	-	-	-	-	-	-	-	-	4.7	6.2	6.2
151	-	-	-	-	-	-	-	-	-	-	-	-	5.0	5.0
157	-	-	-	-	-	-	-	-	-	-	-	-	4.0	4.0
164	-	-	-	-	-	-	-	-	-	-	-	-	3.0	3.0
170	-	-	-	-	-	-	-	-	-	-	-	-	-	2.2

Boom extension sequence in %


Tele 1	0	23	45	45	90	45	0	90	23	90	45	90	90	100
Tele 2	0	23	45	45	90	45	0	90	23	90	45	90	90	100
Tele 3	0	0	0	45	0	45	90	45	90	90	100	90	90	100
Tele 4	0	0	0	0	0	45	90	0	90	0	100	45	90	100

Remarks

Special boom extension sequence

Lifting capacities main boom

72,500 lb 

 360°

85%

Radius	Main boom													
	48.2 ft	65.6 ft	81.7 ft	98.1 ft	114.8 ft	114.8 ft	114.8 ft	131.6 ft	131.6 ft	148.0 ft	155.1 ft	164.7 ft	181.1 ft	197.0 ft
ft	1,000 lb													
10	325.0	294.0	208.0	-	-	-	-	-	-	-	-	-	-	-
11	308.0	290.0	203.0	-	-	-	-	-	-	-	-	-	-	-
13	277.0	276.0	195.5	-	-	-	-	-	-	-	-	-	-	-
15	253.0	253.0	185.0	146.5	-	-	-	-	-	-	-	-	-	-
16	242.0	242.0	180.0	143.5	-	-	66.5	-	-	-	-	-	-	-
19	215.0	215.0	167.0	135.0	125.5	109.0	62.0	-	66.5	-	-	-	-	-
23	181.5	181.5	150.5	124.0	111.0	101.0	56.1	98.0	60.0	-	-	-	-	-
26	156.0	156.0	140.5	117.0	102.0	96.0	51.9	91.5	56.3	83.0	51.7	-	-	-
29	136.5	136.5	131.5	110.0	94.5	91.0	48.0	85.5	52.4	78.0	49.3	64.5	-	-
33	110.0	110.0	109.0	101.5	85.5	85.5	43.7	79.0	48.1	71.0	46.1	61.5	50.5	39.6
39	-	81.0	80.0	82.5	74.5	76.5	38.4	68.5	42.4	64.0	41.3	56.7	46.7	38.8
46	-	59.6	59.1	62.0	58.9	65.5	33.4	60.0	37.4	56.1	36.3	51.5	42.5	37.6
52	-	47.7	47.0	49.7	46.8	53.0	30.0	48.9	33.8	50.1	32.7	47.3	39.4	36.0
59	-	-	36.6	39.3	36.2	42.1	26.9	38.4	30.4	39.9	29.1	42.1	36.1	33.3
65	-	-	30.0	32.6	29.3	35.5	24.7	31.5	28.0	33.1	26.7	35.3	33.7	30.8
72	-	-	-	26.1	22.8	29.2	22.3	25.0	25.4	26.6	24.3	29.0	30.7	28.0
79	-	-	-	21.0	17.9	24.0	20.4	19.9	23.2	21.4	22.1	23.6	25.6	25.6
85	-	-	-	17.5	14.2	20.4	19.0	16.2	21.6	17.8	20.5	20.0	21.8	22.0
92	-	-	-	-	10.9	16.9	17.6	12.9	20.2	14.2	18.9	16.4	18.2	18.4
98	-	-	-	-	8.5	14.5	16.4	10.3	18.6	11.6	17.7	13.8	15.6	15.8
105	-	-	-	-	-	-	-	7.7	16.0	9.2	14.9	11.2	13.0	13.2
111	-	-	-	-	-	-	-	5.8	14.0	7.2	13.1	9.4	10.9	11.2
118	-	-	-	-	-	-	-	-	-	5.3	11.2	7.3	9.0	9.0
124	-	-	-	-	-	-	-	-	-	3.9	9.6	5.8	7.4	7.6
131	-	-	-	-	-	-	-	-	-	2.4	8.2	4.4	6.0	6.0
138	-	-	-	-	-	-	-	-	-	-	6.7	3.0	4.5	4.8
144	-	-	-	-	-	-	-	-	-	-	-	-	3.5	3.6
151	-	-	-	-	-	-	-	-	-	-	-	-	2.4	2.6

Boom extension sequence in %


Tele 1	0	23	45	45	90	45	0	90	23	90	45	90	90	100
Tele 2	0	23	45	45	90	45	0	90	23	90	45	90	90	100
Tele 3	0	0	0	45	0	45	90	45	90	90	100	90	90	100
Tele 4	0	0	0	0	0	45	90	0	90	0	100	45	90	100

Remarks

Special boom extension sequence

Lifting capacities main boom for counterweight page 5

50,500 lb 

 360°

85%

Radius	Main boom													
	48.2 ft	65.6 ft	81.7 ft	98.1 ft	114.8 ft	114.8 ft	114.8 ft	131.6 ft	131.6 ft	148.0 ft	155.1 ft	164.7 ft	181.1 ft	197.0 ft
ft	1,000 lb													
10	321.0	294.0	208.0	-	-	-	-	-	-	-	-	-	-	-
11	303.0	290.0	203.0	-	-	-	-	-	-	-	-	-	-	-
13	275.0	274.0	195.5	-	-	-	-	-	-	-	-	-	-	-
15	250.0	250.0	185.0	146.5	-	-	-	-	-	-	-	-	-	-
16	240.0	240.0	180.0	143.5	-	-	66.5	-	-	-	-	-	-	-
19	208.0	208.0	167.0	135.0	125.5	109.0	62.0	-	66.5	-	-	-	-	-
23	167.0	166.0	150.5	124.0	111.0	101.0	56.1	98.0	60.0	-	-	-	-	-
26	141.0	140.5	133.5	117.0	102.0	96.0	51.9	91.5	56.3	83.0	51.7	-	-	-
29	113.5	113.0	111.5	108.5	94.5	91.0	48.0	85.5	52.4	78.0	49.3	64.5	-	-
33	86.5	86.0	86.0	89.5	82.0	85.0	43.7	78.5	48.1	71.0	46.1	61.5	50.5	39.6
39	-	62.5	62.0	65.5	61.5	68.0	38.4	63.0	42.4	62.0	41.3	56.7	46.7	38.8
46	-	45.0	44.6	47.5	44.4	51.0	33.4	46.6	37.4	48.3	36.3	49.5	42.5	37.6
52	-	35.4	34.5	37.4	34.3	40.7	30.0	36.5	33.8	38.3	32.7	40.4	39.4	36.0
59	-	-	25.6	28.5	25.2	31.8	26.9	27.6	30.4	29.1	29.1	31.5	33.5	32.8
65	-	-	20.1	22.6	19.5	25.9	24.7	21.7	28.0	23.3	26.7	25.7	27.7	27.4
72	-	-	-	17.3	14.2	20.4	22.3	16.4	25.2	17.9	24.3	20.2	22.1	22.1
79	-	-	-	13.3	10.0	16.1	20.4	12.2	20.8	13.7	19.9	15.9	17.7	17.9
85	-	-	-	10.5	6.9	13.3	19.0	8.9	17.7	10.5	16.9	12.9	14.7	14.9
92	-	-	-	-	4.1	10.3	16.2	6.1	14.7	7.6	13.8	9.8	11.6	11.8
98	-	-	-	-	-	8.3	14.2	3.9	12.5	5.4	11.6	7.6	9.4	9.6
105	-	-	-	-	-	-	-	-	10.3	3.3	9.2	5.5	7.2	7.2
111	-	-	-	-	-	-	-	-	8.7	-	7.6	3.8	5.4	5.6
118	-	-	-	-	-	-	-	-	-	-	5.9	2.2	3.7	3.9
124	-	-	-	-	-	-	-	-	-	-	4.7	-	2.5	2.7
131	-	-	-	-	-	-	-	-	-	-	3.5	-	-	-
138	-	-	-	-	-	-	-	-	-	-	2.6	-	-	-

Boom extension sequence in %

Tele 1	0	23	45	45	90	45	0	90	23	90	45	90	90	100
Tele 2	0	23	45	45	90	45	0	90	23	90	45	90	90	100
Tele 3	0	0	0	45	0	45	90	45	90	90	100	90	90	100
Tele 4	0	0	0	0	0	45	90	0	90	0	100	45	90	100

Remarks

Special boom extension sequence

Lifting capacities main boom for counterweight page 5

13,500 lb 

 360°

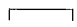
85%

Radius	Main boom													
	48.2 ft	65.6 ft	81.7 ft	98.1 ft	114.8 ft	114.8 ft	114.8 ft	131.6 ft	131.6 ft	148.0 ft	155.1 ft	164.7 ft	181.1 ft	197.0 ft
ft	1,000 lb													
10	312.0	294.0	208.0	-	-	-	-	-	-	-	-	-	-	-
11	296.0	290.0	203.0	-	-	-	-	-	-	-	-	-	-	-
13	268.0	268.0	195.5	-	-	-	-	-	-	-	-	-	-	-
15	238.0	237.0	185.0	146.5	-	-	-	-	-	-	-	-	-	-
16	220.0	215.0	180.0	143.5	-	-	66.5	-	-	-	-	-	-	-
19	169.0	158.0	140.0	126.5	110.0	111.0	62.0	-	66.5	-	-	-	-	-
23	103.0	102.0	98.5	95.5	83.5	93.5	56.1	79.0	60.0	-	-	-	-	-
26	76.0	76.0	75.5	78.5	68.0	77.0	51.9	66.5	56.3	64.5	51.7	-	-	-
29	59.8	59.2	59.0	62.5	57.4	65.5	48.0	56.4	52.4	55.2	49.3	54.7	-	-
33	44.2	43.8	43.6	46.9	43.3	50.6	43.7	44.7	48.0	44.3	46.0	44.6	44.4	39.4
39	-	28.7	28.2	31.5	28.0	35.3	38.4	30.6	40.1	31.6	39.0	33.1	33.7	31.9
46	-	17.7	17.3	20.2	17.1	23.5	29.9	19.3	28.3	20.4	27.4	21.9	22.8	21.7
52	-	12.1	11.3	14.1	11.0	17.0	23.0	13.0	21.7	13.9	20.8	15.7	16.6	15.9
59	-	-	5.5	8.6	5.1	11.7	17.4	7.5	16.1	8.6	15.0	10.1	11.5	10.6
65	-	-	-	4.8	-	8.2	13.8	3.9	12.6	5.2	11.5	6.9	8.0	7.5
72	-	-	-	-	-	4.7	10.6	-	9.3	-	8.2	3.8	4.9	4.4
79	-	-	-	-	-	-	8.3	-	6.7	-	5.6	-	2.5	2.1
85	-	-	-	-	-	-	6.4	-	4.7	-	3.8	-	-	-
92	-	-	-	-	-	-	4.3	-	2.8	-	-	-	-	-
98	-	-	-	-	-	-	3.1	-	-	-	-	-	-	-

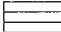
Boom extension sequence in %


Tele 1	0	23	45	45	90	45	0	90	23	90	45	90	90	100
Tele 2	0	23	45	45	90	45	0	90	23	90	45	90	90	100
Tele 3	0	0	0	45	0	45	90	45	90	90	100	90	90	100
Tele 4	0	0	0	0	0	45	90	0	90	0	100	45	90	100

Remarks

 Special boom extension sequence

Lifting capacities main boom for counterweight page 7

27,500 lb 

 360°


85%

Radius	Main boom													
	48.2 ft	65.6 ft	81.7 ft	98.1 ft	114.8 ft	114.8 ft	114.8 ft	131.6 ft	131.6 ft	148.0 ft	155.1 ft	164.7 ft	181.1 ft	197.0 ft
ft	1,000 lb													
10	316.0	294.0	208.0	-	-	-	-	-	-	-	-	-	-	-
11	299.0	290.0	203.0	-	-	-	-	-	-	-	-	-	-	-
13	270.0	270.0	195.5	-	-	-	-	-	-	-	-	-	-	-
15	245.0	245.0	185.0	146.5	-	-	-	-	-	-	-	-	-	-
16	232.0	232.0	180.0	143.5	-	-	66.5	-	-	-	-	-	-	-
19	192.0	188.5	163.5	135.0	127.0	109.0	62.0	-	66.5	-	-	-	-	-
23	126.0	125.0	123.0	117.5	104.5	101.0	56.1	97.5	60.0	-	-	-	-	-
26	94.0	94.0	93.5	96.5	86.0	95.0	51.9	83.5	56.3	80.0	51.7	-	-	-
29	73.5	73.5	72.5	77.0	71.5	80.5	48.0	71.5	52.4	69.0	49.3	65.0	-	-
33	56.0	55.9	55.4	58.7	55.2	62.0	43.7	57.8	48.1	57.9	46.1	57.7	50.5	39.6
39	-	39.1	38.7	41.6	38.5	44.9	38.4	40.7	42.4	42.4	41.3	44.6	45.0	38.8
46	-	26.5	26.1	29.0	25.9	32.1	33.4	28.1	36.7	29.8	35.8	32.1	33.2	32.1
52	-	19.5	18.8	21.5	18.6	24.6	30.0	20.6	29.0	22.2	28.3	24.4	25.5	24.4
59	-	-	12.8	15.2	12.3	18.1	23.6	14.3	22.3	15.9	21.6	17.6	18.7	18.1
65	-	-	8.7	11.4	7.9	14.0	19.3	10.3	18.0	11.8	17.4	13.4	14.7	14.0
72	-	-	-	7.1	3.8	10.4	15.5	6.0	14.2	7.8	13.5	9.5	10.9	10.2
79	-	-	-	4.0	-	7.1	12.4	2.9	11.3	4.5	10.4	6.7	7.8	7.4
85	-	-	-	-	-	4.7	10.4	-	9.1	-	8.4	4.5	5.8	5.3
92	-	-	-	-	-	2.6	8.5	-	7.0	-	6.1	2.1	3.7	3.2
98	-	-	-	-	-	-	7.1	-	5.4	-	4.5	-	2.3	-
105	-	-	-	-	-	-	-	-	3.7	-	2.8	-	-	-
111	-	-	-	-	-	-	-	-	2.5	-	-	-	-	-

Boom extension sequence in %

Tele 1	0	23	45	45	90	45	0	90	23	90	45	90	90	100
Tele 2	0	23	45	45	90	45	0	90	23	90	45	90	90	100
Tele 3	0	0	0	45	0	45	90	45	90	90	100	90	90	100
Tele 4	0	0	0	0	0	45	90	0	90	0	100	45	90	100

Remarks

 Special boom extension sequence

Lifting capacities main boom for counterweight page 7

0 lb



360°

75% / 85%

Radius	Main boom													
	48.2 ft	65.6 ft	81.7 ft	98.1 ft	114.8 ft	114.8 ft	114.8 ft	131.6 ft	131.6 ft	148.0 ft	155.1 ft	164.7 ft	181.1 ft	197.0 ft
ft	1,000 lb													
10	275.0	275.0	208.0	-	-	-	-	-	-	-	-	-	-	-
11	260.0	260.0	203.0	-	-	-	-	-	-	-	-	-	-	-
13	235.0	235.0	195.5	-	-	-	-	-	-	-	-	-	-	-
15	199.0	177.5	150.0	135.5	-	-	-	-	-	-	-	-	-	-
16	182.5	155.5	133.5	122.0	-	-	66.5	-	-	-	-	-	-	-
19	126.5	111.5	97.5	92.0	76.0	86.0	62.0	-	66.5	-	-	-	-	-
23	72.5	72.5	68.0	65.5	56.3	65.5	56.1	53.8	60.0	-	-	-	-	-
26	53.7	53.3	52.8	53.2	44.0	53.2	51.9	43.0	55.3	41.6	49.1	-	-	-
29	40.7	40.1	39.9	42.8	34.8	43.7	48.0	34.7	46.7	34.1	41.4	34.2	-	-
33	27.6	27.4	26.9	30.4	25.6	34.0	41.6	26.1	37.5	26.3	33.4	27.0	27.5	26.2
39	-	16.3	15.8	18.8	15.4	22.1	28.5	16.8	26.8	17.5	24.3	18.8	19.4	18.3
46	-	8.5	7.8	10.7	7.4	13.8	19.3	8.9	18.2	9.8	16.0	11.1	12.0	11.1
52	-	3.7	3.0	5.9	2.8	9.4	14.5	4.5	13.4	5.4	11.4	6.9	7.8	7.1
59	-	-	-	-	-	4.8	10.3	-	9.2	-	7.5	3.1	4.2	3.5
65	-	-	-	-	-	-	7.9	-	6.6	-	4.9	-	-	-
72	-	-	-	-	-	-	5.5	-	4.0	-	2.7	-	-	-
79	-	-	-	-	-	-	3.4	-	-	-	-	-	-	-

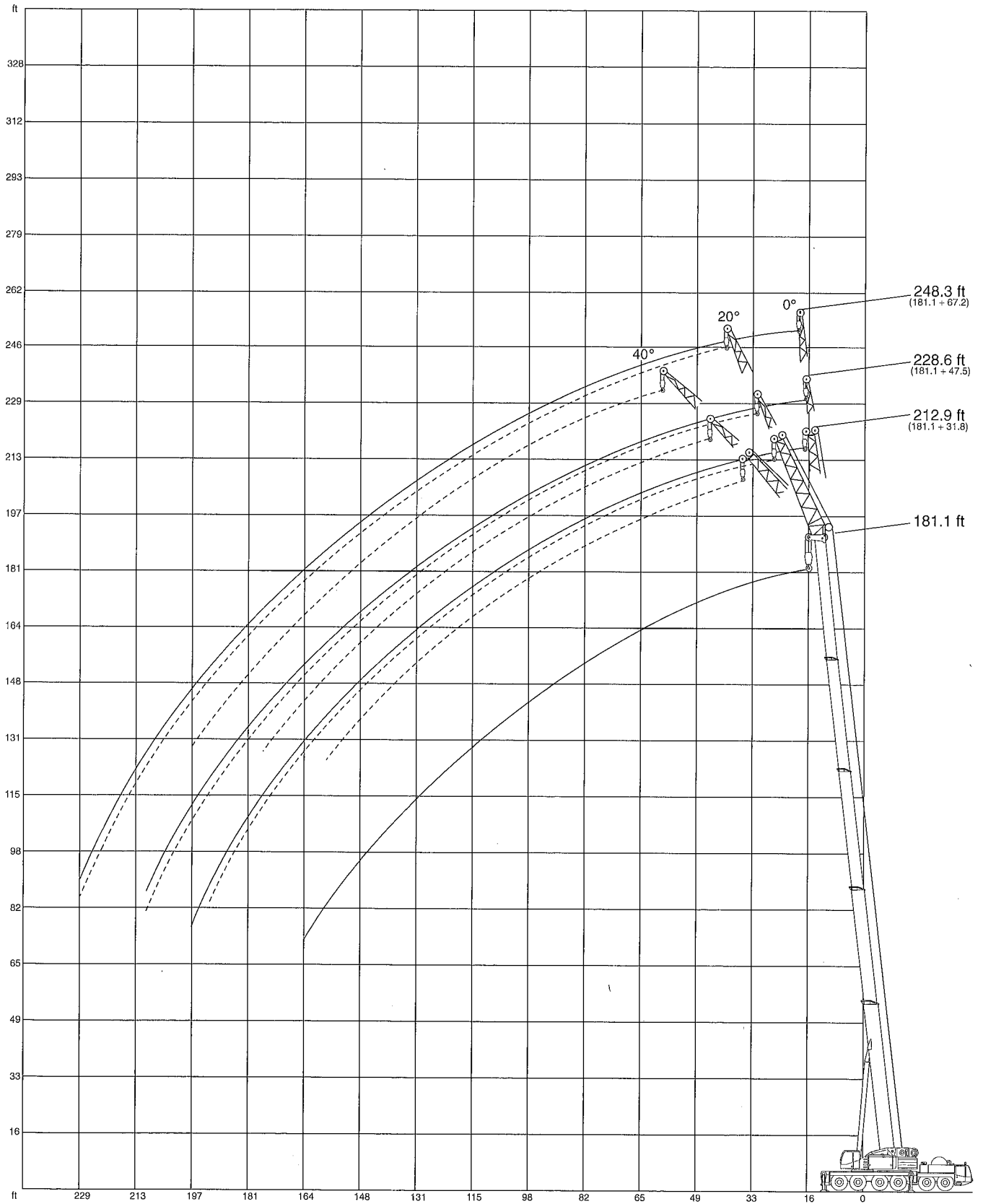
Boom extension sequence in %

Tele 1	0	23	45	45	90	45	0	90	23	90	45	90	90	100
Tele 2	0	23	45	45	90	45	0	90	23	90	45	90	90	100
Tele 3	0	0	0	45	0	45	90	45	90	90	100	90	90	100
Tele 4	0	0	0	0	0	45	90	0	90	0	100	45	90	100

Remarks

Special boom extension sequence

Working ranges main boom extension, main boom 181.1 ft



Lifting capacities main boom extension

Main boom: 181.1 ft

141,000 lb   360° 75%/85%

Radius ft	Extension 31.8 ft		
	0°	20°	40°
	1,000 lb		
29	29.3	-	-
33	29.2	-	-
39	28.0	24.6	-
46	26.4	24.6	21.3
52	25.2	23.4	21.3
59	23.8	22.2	20.5
65	22.6	21.2	19.7
72	21.2	20.0	18.7
79	20.0	19.1	17.8
85	19.0	18.1	17.0
92	17.8	17.1	16.2
98	17.0	16.1	15.4
105	15.8	15.2	14.7
111	15.0	14.6	14.1
118	14.1	13.6	13.4
124	13.5	13.0	12.8
131	12.8	12.3	12.1
138	11.8	11.6	11.4
144	11.4	11.0	10.8
151	10.7	10.3	10.1
157	10.1	9.7	9.5
164	9.2	9.2	-
170	8.2	8.8	-
177	7.2	7.7	-
184	6.3	6.5	-
190	5.5	5.7	-
197	4.8	-	-
203	-	-	-
210	-	-	-

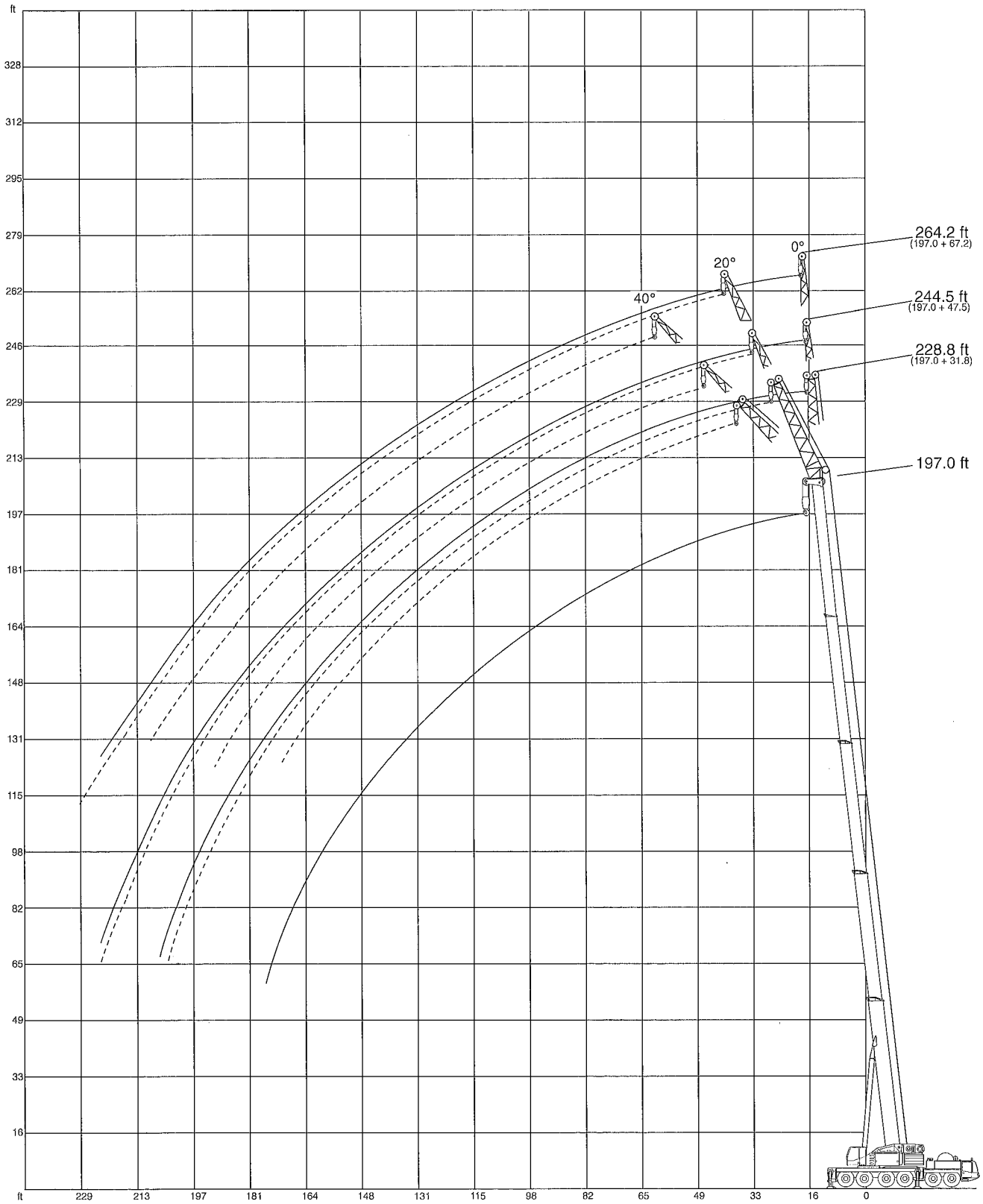
141,000 lb   360° 75%/85%

Radius ft	Extension 47.5 ft		
	0°	20°	40°
	1,000 lb		
29	23.3	-	-
33	23.3	-	-
39	23.3	-	-
46	22.2	18.5	-
52	21.4	18.5	-
59	20.2	17.4	14.9
65	19.4	16.6	14.9
72	18.3	15.8	14.3
79	17.3	14.9	13.6
85	16.5	14.3	13.2
92	15.6	13.6	12.5
98	15.0	13.2	12.1
105	14.1	12.5	11.6
111	13.5	12.1	11.2
118	12.7	11.4	10.8
124	12.1	11.0	10.4
131	11.4	10.5	9.9
138	10.7	10.1	9.4
144	10.3	9.7	9.2
151	9.6	9.2	8.8
157	9.2	8.8	8.4
164	8.8	8.3	8.1
170	8.4	7.9	7.7
177	7.7	7.5	7.2
184	6.7	7.2	-
190	5.9	6.6	-
197	5.2	5.7	-
203	4.6	4.9	-
210	3.9	4.1	-

141,000 lb   360° 75%/85%

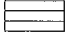

Radius ft	Extension 67.2 ft		
	0°	20°	40°
	1,000 lb		
33	17.1	-	-
39	17.1	-	-
46	16.7	-	-
52	16.3	-	-
59	15.8	12.3	-
65	15.2	12.3	-
72	14.7	11.9	9.7
79	14.3	11.6	9.6
85	13.6	11.2	9.4
92	13.2	10.7	9.0
98	12.6	10.5	8.8
105	12.1	10.1	8.5
111	11.5	9.7	8.3
118	11.0	9.2	8.1
124	10.6	9.0	7.9
131	9.9	8.6	7.5
138	9.4	8.1	7.2
144	9.0	7.9	7.0
151	8.5	7.4	6.8
157	8.1	7.2	6.6
164	7.7	7.0	6.3
170	7.3	6.6	6.1
177	6.8	6.3	6.1
184	6.5	6.1	5.9
190	6.1	5.9	5.7
197	5.7	5.7	5.5
203	5.1	5.5	-
210	4.4	5.0	-
216	3.8	4.4	-
223	3.3	3.7	-
229	2.7	3.1	-

Working ranges main boom extension, main boom 197.0 ft



Lifting capacities main boom extension

Main boom: 197.0 ft

141,000 lb   360° 75%/85%

Radius ft	Extension 31.8 ft		
	0°	20°	40°
	1,000 lb		
26	23.5	-	-
29	23.5	-	-
33	23.5	-	-
39	23.5	21.3	-
46	22.6	21.3	17.8
52	21.8	20.5	17.8
59	20.7	19.6	17.8
65	19.9	18.8	17.0
72	18.7	17.6	16.1
79	17.8	16.7	15.3
85	16.8	15.9	14.5
92	15.8	14.7	13.8
98	14.8	13.9	13.0
105	13.8	13.0	12.3
111	12.8	12.1	11.5
118	11.9	11.2	10.8
124	11.1	10.4	10.2
131	10.1	9.5	9.5
138	9.2	8.7	8.7
144	8.6	8.1	8.1
151	7.9	7.4	7.4
157	7.1	6.8	6.8
164	6.3	6.3	6.1
170	5.9	5.7	5.5
177	5.3	5.3	-
184	4.8	4.8	-
190	4.4	4.4	-
197	3.9	4.1	-
203	3.7	3.7	-
210	3.3	-	-
216	-	-	-

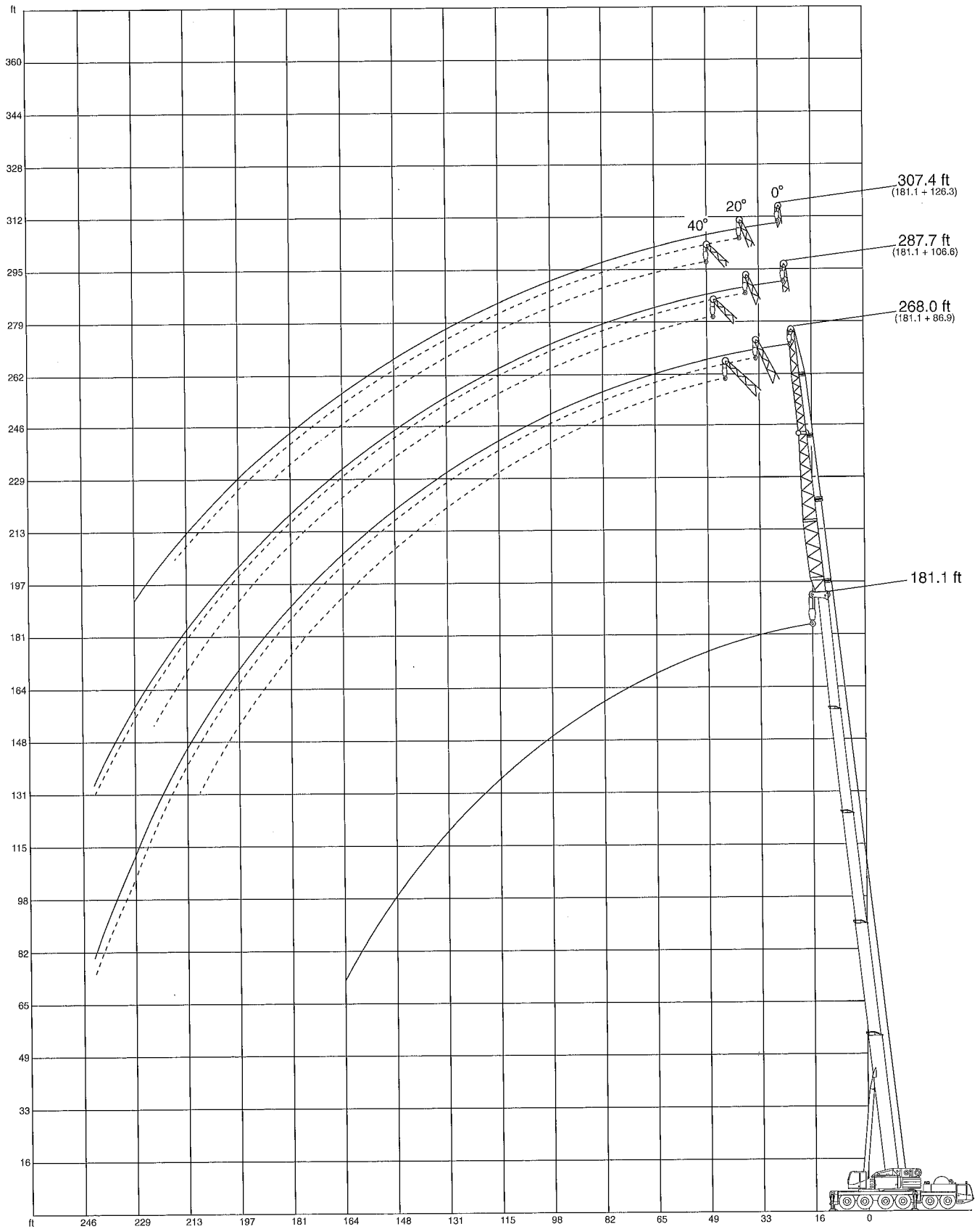
141,000 lb   360° 75%/85%

Radius ft	Extension 47.5 ft		
	0°	20°	40°
	1,000 lb		
29	17.8	-	-
33	17.8	-	-
39	17.8	-	-
46	17.8	14.9	-
52	17.4	14.9	-
59	16.7	14.9	12.7
65	16.1	14.3	12.7
72	15.4	13.9	12.7
79	14.9	13.2	12.1
85	14.1	12.5	11.7
92	13.4	11.8	11.0
98	12.6	11.2	10.6
105	11.9	10.8	9.9
111	11.2	10.1	9.5
118	10.5	9.4	8.8
124	9.9	9.0	8.4
131	9.2	8.4	7.7
138	8.5	7.9	7.2
144	7.9	7.3	6.8
151	7.2	6.8	6.3
157	6.8	6.4	5.9
164	6.3	5.9	5.5
170	5.9	5.3	5.1
177	5.3	5.0	4.6
184	4.8	4.6	4.3
190	4.4	4.2	3.9
197	3.9	3.7	-
203	3.5	3.5	-
210	3.0	3.3	-
216	2.8	3.1	-
223	2.4	2.8	-

141,000 lb   360° 75%/85%



Radius ft	Extension 67.2 ft		
	0°	20°	40°
	1,000 lb		
29	12.5	-	-
33	12.5	-	-
39	12.5	-	-
46	12.5	-	-
52	12.5	-	-
59	12.3	10.5	-
65	11.9	10.5	-
72	11.6	10.3	8.5
79	11.2	9.9	8.5
85	10.8	9.7	8.5
92	10.3	9.2	8.3
98	9.9	9.0	8.1
105	9.4	8.8	7.9
111	9.0	8.4	7.7
118	8.8	8.1	7.2
124	8.4	7.7	7.0
131	7.9	7.2	6.6
138	7.4	7.0	6.3
144	7.0	6.6	5.9
151	6.6	6.1	5.7
157	6.2	5.9	5.3
164	5.7	5.5	5.0
170	5.3	5.1	4.6
177	4.8	4.8	4.4
184	4.6	4.3	3.9
190	4.2	3.9	3.7
197	3.7	3.7	3.5
203	3.3	3.3	3.1
210	3.0	3.0	2.8
216	2.6	2.6	-
223	2.4	2.4	-
229	-	2.2	-

Working ranges main boom extension, main boom 181.1 ft



Lifting capacities main boom extension

Main boom: 181.1 ft

141,000 lb   360° 75%/85%

Radius	Extension		
	0°	86.9 ft	
ft		1,000 lb	
39	12.1	-	-
46	12.1	-	-
52	11.7	9.0	-
59	11.2	9.0	8.1
65	10.8	8.6	8.1
72	10.3	8.1	7.9
79	10.1	7.9	7.7
85	9.7	7.7	7.7
92	9.2	7.2	7.4
98	9.0	7.0	7.2
105	8.5	6.8	7.0
111	8.3	6.6	6.8
118	8.1	6.3	6.6
124	7.7	6.1	6.6
131	7.5	5.9	6.4
138	7.2	5.7	6.1
144	6.8	5.5	5.9
151	6.6	5.5	5.7
157	6.4	5.3	5.7
164	6.1	5.0	5.5
170	5.9	5.0	5.3
177	5.7	4.8	5.0
184	5.4	4.6	4.8
190	5.0	4.6	4.6
197	4.8	4.4	4.4
203	4.6	4.4	4.2
210	4.4	4.1	3.9
216	4.2	3.9	-
223	3.7	3.9	-
229	3.1	3.5	-
243	2.1	2.4	-

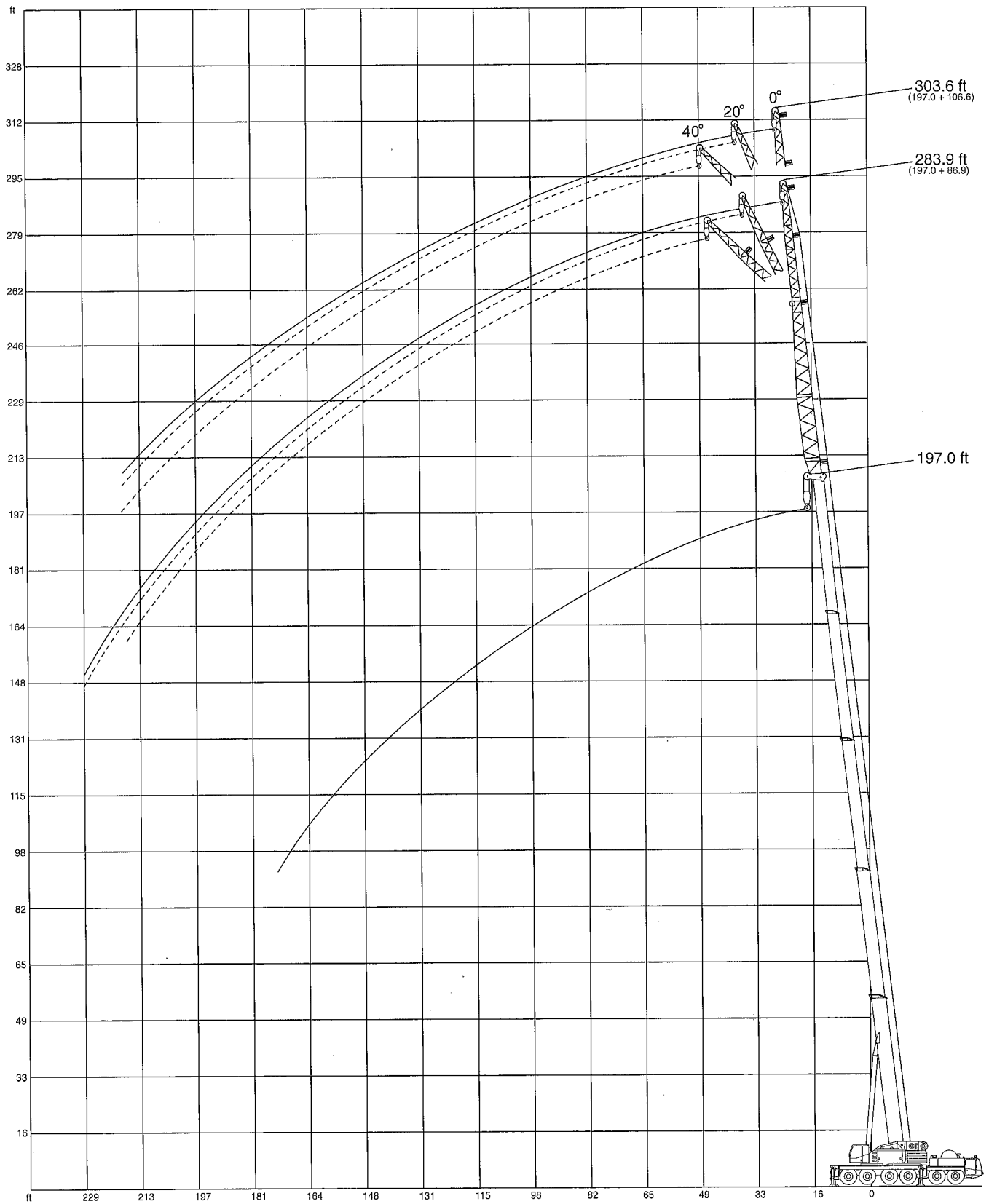
141,000 lb   360° 75%/85%

Radius	Extension		
	0°	106.6 ft	
ft		1,000 lb	
39	7.7	-	-
46	7.7	-	-
52	7.7	7.0	-
59	7.7	7.0	-
65	7.5	6.8	5.9
72	7.2	6.8	5.9
79	7.2	6.6	5.9
85	7.0	6.4	5.7
92	6.8	6.3	5.7
98	6.6	6.1	5.5
105	6.6	5.9	5.2
111	6.4	5.9	5.2
118	6.1	5.7	5.0
124	5.9	5.5	4.8
131	5.7	5.2	4.8
138	5.7	5.2	4.6
144	5.5	5.0	4.4
151	5.2	4.8	4.4
157	5.0	4.8	4.2
164	4.8	4.6	4.1
170	4.8	4.4	3.9
177	4.6	4.1	3.7
184	4.4	4.1	3.7
190	4.1	3.9	3.5
197	3.9	3.7	3.3
203	3.9	3.5	3.3
210	3.7	3.5	3.0
216	3.5	3.3	2.8
223	3.3	3.0	2.6
229	3.1	2.8	-
243	2.1	2.4	-

141,000 lb   360° 75%/85%

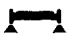
Radius	Extension		
	0°	126.3 ft	
ft		1,000 lb	
46	5.9	-	-
52	5.9	-	-
59	5.7	5.2	-
65	5.5	5.2	4.6
72	5.5	5.0	4.6
79	5.2	4.8	4.4
85	5.0	4.6	4.4
92	4.8	4.4	4.1
98	4.8	4.4	3.9
105	4.6	4.1	3.9
111	4.4	3.9	3.7
118	4.1	3.9	3.5
124	4.1	3.7	3.3
131	3.9	3.5	3.3
138	3.7	3.5	3.0
144	3.7	3.3	2.8
151	3.5	3.0	2.8
157	3.3	3.0	2.6
164	3.3	2.8	2.4
170	3.1	2.8	2.4
177	2.8	2.6	2.2
184	2.8	2.6	2.2
190	2.6	2.4	-
197	2.6	2.4	-
203	2.4	2.2	-
210	2.4	2.2	-
216	2.4	2.2	-
223	2.2	-	-
229	2.2	-	-
243	2.2	-	-

Working ranges main boom extension, main boom 197.0 ft



Lifting capacities main boom extension

Main boom: 197.0 ft

141,000 lb   360° 75%/85%

Radius	Extension		
	86.9 ft		
	0°	20°	40°
ft	1,000 lb		
33	8.5	-	-
39	8.5	-	-
46	8.5	-	-
52	8.5	7.7	-
59	8.5	7.7	6.8
65	8.3	7.7	6.8
72	8.3	7.5	6.8
79	8.1	7.4	6.8
85	7.9	7.2	6.6
92	7.7	7.0	6.6
98	7.5	7.0	6.4
105	7.2	6.8	6.1
111	7.0	6.6	6.1
118	6.8	6.3	5.9
124	6.6	6.1	5.7
131	6.4	5.9	5.5
138	6.1	5.7	5.2
144	5.9	5.5	5.0
151	5.7	5.2	4.8
157	5.3	5.0	4.6
164	5.0	4.8	4.4
170	4.8	4.4	4.2
177	4.6	4.1	3.9
184	4.1	3.9	3.7
190	3.9	3.7	3.5
197	3.5	3.3	3.0
203	3.3	3.1	2.8
210	3.0	2.8	2.6
216	2.6	2.6	2.4
223	2.4	2.4	-
229	2.2	2.2	-

141,000 lb   360° 75%/85%

Radius	Extension		
	106.6 ft		
	0°	20°	40°
ft	1,000 lb		
33	-	-	-
39	6.3	-	-
46	6.3	-	-
52	6.3	5.9	-
59	6.3	5.9	5.7
65	6.1	5.9	5.7
72	5.9	5.7	5.7
79	5.7	5.7	5.5
85	5.7	5.5	5.3
92	5.5	5.2	5.0
98	5.3	5.0	4.8
105	5.0	4.8	4.8
111	5.0	4.8	4.6
118	4.8	4.6	4.4
124	4.6	4.4	4.4
131	4.4	4.4	4.1
138	4.4	4.1	3.9
144	4.2	3.9	3.9
151	3.9	3.9	3.7
157	3.7	3.7	3.5
164	3.7	3.5	3.5
170	3.5	3.5	3.3
177	3.3	3.3	3.0
184	3.0	3.0	3.0
190	2.8	2.8	2.8
197	2.6	2.8	2.6
203	2.4	2.6	2.6
210	2.4	2.4	2.4
216	2.2	2.2	2.2
223	-	-	-
229	-	-	-

Lifting capacities luffing fly jib, main boom 82° to 65°

Main boom: 48.2 ft¹⁾

119,000 lb



360°

75%

Radius	Fly jib																	
	65.6 ft			105.0 ft			134.5 ft			154.2 ft			173.8 ft			190.2 ft		
	82°*	73°	65°	82°*	73°	65°	82°*	73°	65°	82°*	73°	65°	82°*	73°	65°	82°*	73°	65°
ft	1,000 lb																	
29	77.0	-	-	-	-	-	-	-	-	-	-	-	-	-	-	-	-	-
33	75.5	-	-	-	-	-	-	-	-	-	-	-	-	-	-	-	-	-
39	71.5	-	-	46.7	-	-	-	-	-	-	-	-	-	-	-	-	-	-
46	59.1	65.5	-	46.7	-	-	26.4	-	-	20.0	-	-	-	-	-	-	-	-
52	48.0	63.0	-	44.4	-	-	26.4	-	-	20.0	-	-	13.2	-	-	-	-	-
59	36.4	54.3	55.7	41.6	-	-	26.0	-	-	20.0	-	-	13.2	-	-	9.9	-	-
65	-	44.8	54.3	37.6	39.5	-	25.4	-	-	19.6	-	-	13.2	-	-	9.9	-	-
72	-	33.7	47.8	32.1	38.1	-	24.7	22.4	-	19.1	-	-	13.0	-	-	9.9	-	-
79	-	-	37.7	26.9	35.1	-	23.9	22.4	-	18.7	16.5	-	12.7	-	-	9.7	-	-
85	-	-	-	23.1	31.0	34.0	23.1	22.2	-	18.3	16.5	-	12.5	-	-	9.7	-	-
92	-	-	-	18.8	26.5	31.8	22.2	21.8	-	17.8	16.3	-	12.3	10.1	-	9.6	-	-
98	-	-	-	15.2	22.9	28.6	20.2	21.4	20.0	17.2	16.1	-	12.1	10.1	-	9.4	7.2	-
105	-	-	-	-	18.9	24.9	17.4	20.5	20.0	16.7	15.8	-	11.9	9.9	-	9.4	7.0	-
111	-	-	-	-	15.1	21.6	14.9	19.6	19.8	15.9	15.4	13.8	11.7	9.9	-	9.2	7.0	-
118	-	-	-	-	-	17.4	12.3	17.6	19.4	14.1	14.9	13.8	11.2	9.7	-	9.0	7.0	-
124	-	-	-	-	-	-	10.1	15.4	18.8	12.3	14.5	13.8	11.0	9.5	8.5	9.0	7.0	-
131	-	-	-	-	-	-	-	12.8	17.0	10.4	13.9	13.8	10.5	9.4	8.5	8.6	6.8	5.7
138	-	-	-	-	-	-	-	10.0	14.6	8.5	12.7	13.6	9.8	9.2	8.5	7.6	6.8	5.7
144	-	-	-	-	-	-	-	-	12.4	6.7	10.9	13.2	8.4	9.2	8.5	6.8	6.8	5.7
151	-	-	-	-	-	-	-	-	9.2	-	9.0	12.3	7.0	9.0	8.5	5.9	6.6	5.7
157	-	-	-	-	-	-	-	-	-	-	7.2	10.9	5.6	9.0	8.5	5.1	6.6	5.7
164	-	-	-	-	-	-	-	-	-	-	-	8.8	4.1	7.7	8.5	4.4	5.9	5.7
170	-	-	-	-	-	-	-	-	-	-	-	6.6	-	6.3	8.5	3.6	5.3	5.7
177	-	-	-	-	-	-	-	-	-	-	-	-	-	4.6	7.7	2.6	4.4	5.7
184	-	-	-	-	-	-	-	-	-	-	-	-	-	-	6.0	-	3.7	5.0
190	-	-	-	-	-	-	-	-	-	-	-	-	-	-	4.2	-	2.9	4.4
197	-	-	-	-	-	-	-	-	-	-	-	-	-	-	-	-	-	3.5
203	-	-	-	-	-	-	-	-	-	-	-	-	-	-	-	-	-	2.7

Remarks

- 1) plus 9.8 ft adapter
- * Capacities of main boom position 82° also valid for counterweight 88,000 lb

Lifting capacities luffing fly jib, main boom 82° to 65°

Main boom: 81.7 ft¹⁾

119,000 lb



360°

75%

Radius ft	Fly jib																	
	65.6 ft			105.0 ft			134.5 ft			154.2 ft			173.8 ft			190.2 ft		
	82°*	73°	65°	82°*	73°	65°	82°*	73°	65°	82°*	73°	65°	82°*	73°	65°	82°*	73°	65°
	1,000 lb																	
39	58.8	-	-	-	-	-	-	-	-	-	-	-	-	-	-	-	-	-
46	55.0	-	-	36.8	-	-	23.5	-	-	-	-	-	-	-	-	-	-	-
52	53.0	-	-	35.7	-	-	23.5	-	-	16.5	-	-	-	-	-	-	-	-
59	44.8	46.5	-	34.1	-	-	23.1	-	-	16.0	-	-	10.5	-	-	-	-	-
65	35.5	43.5	-	32.9	-	-	22.7	-	-	15.8	-	-	10.5	-	-	7.9	-	-
72	-	40.8	-	31.3	29.3	-	22.2	-	-	15.6	-	-	10.5	-	-	7.9	-	-
79	-	38.9	37.3	29.2	28.1	-	21.7	-	-	15.4	-	-	10.5	-	-	7.9	-	-
85	-	-	34.7	26.5	27.1	-	21.1	18.5	-	15.0	-	-	10.3	-	-	7.9	-	-
92	-	-	31.4	22.4	25.7	-	20.7	18.5	-	14.7	12.7	-	10.3	-	-	7.9	-	-
98	-	-	27.8	18.7	24.7	23.8	19.8	18.3	-	14.5	12.5	-	10.1	7.4	-	7.9	-	-
105	-	-	-	14.5	23.5	22.9	18.9	18.2	-	14.1	12.3	-	9.9	7.4	-	7.9	5.5	-
111	-	-	-	-	21.5	22.3	17.3	17.8	16.0	13.7	12.1	-	9.7	7.4	-	7.7	5.5	-
118	-	-	-	-	17.4	21.6	14.8	17.6	16.0	13.2	11.9	-	9.7	7.4	-	7.7	5.5	-
124	-	-	-	-	-	20.4	12.5	17.2	15.8	12.6	11.7	10.8	9.3	7.4	-	7.7	5.5	-
131	-	-	-	-	-	18.5	9.7	16.5	15.6	11.9	11.4	10.8	9.0	7.4	-	7.5	5.5	-
138	-	-	-	-	-	12.6	-	14.4	15.4	10.3	11.4	10.5	8.8	7.4	5.7	7.4	5.5	-
144	-	-	-	-	-	-	-	12.2	15.2	8.6	11.2	10.5	8.6	7.4	5.7	7.2	5.5	3.9
151	-	-	-	-	-	-	-	-	14.7	6.5	11.2	10.5	8.1	7.4	5.7	6.6	5.5	3.9
157	-	-	-	-	-	-	-	-	13.3	-	10.4	10.5	7.1	7.4	5.7	6.0	5.5	3.9
164	-	-	-	-	-	-	-	-	10.3	-	8.6	10.5	5.7	7.4	5.7	5.0	5.5	3.9
170	-	-	-	-	-	-	-	-	-	-	-	10.5	4.3	7.4	5.7	4.4	5.5	3.9
177	-	-	-	-	-	-	-	-	-	-	-	9.5	-	7.2	5.7	3.5	5.5	3.9
184	-	-	-	-	-	-	-	-	-	-	-	7.4	-	5.8	5.7	2.6	5.0	3.9
190	-	-	-	-	-	-	-	-	-	-	-	-	-	-	5.7	-	4.4	3.9
197	-	-	-	-	-	-	-	-	-	-	-	-	-	-	5.7	-	3.5	3.9
203	-	-	-	-	-	-	-	-	-	-	-	-	-	-	5.1	-	-	3.9
210	-	-	-	-	-	-	-	-	-	-	-	-	-	-	-	-	-	3.9
216	-	-	-	-	-	-	-	-	-	-	-	-	-	-	-	-	-	3.1

Remarks

¹⁾ plus 9.8 ft adapter

* Capacities of main boom position 82° also valid for counterweight 88,000 lb

Notes to lifting capacity

Lifting capacities do not exceed 75%/85% of tipping load.

Weight of hook blocks and slings are part of the load, and are to be deducted from the capacity ratings.

Crane operation is permissible up to a
wind speed of 32 ft/s

Consult operation manual for further details on wind speed.

All capacities above the parting line are based on structural strength. Capacities below the parting line are based on machine stability.

Crane operation subject to computer charts, only!

For crane operation consult operation manual first!

Lifting capacities luffing fly jib, main boom 82° to 65°

Main boom: 114.8 ft¹⁾

119,000 lb



360°

75%

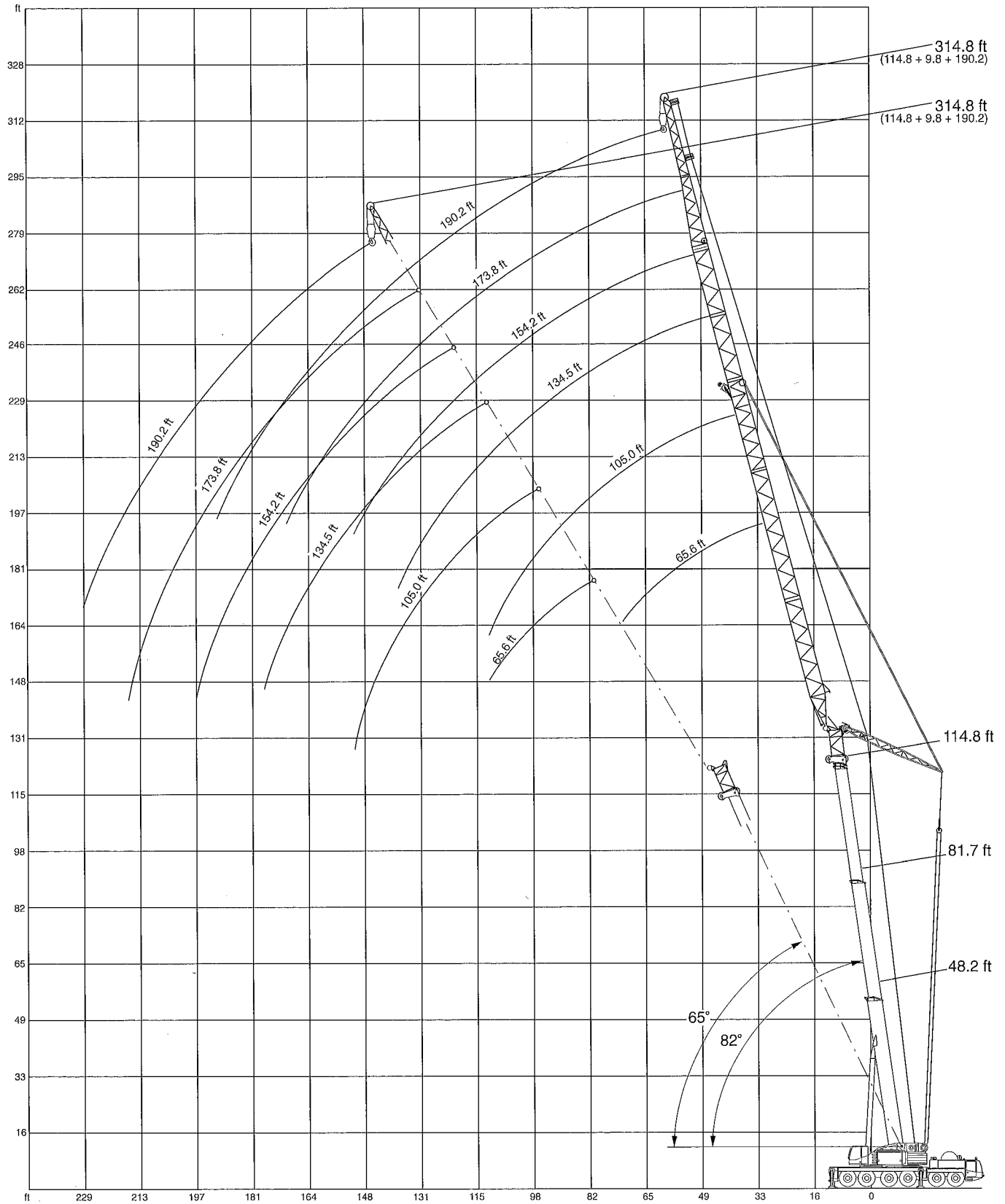
Radius ft	Fly jib																	
	65.6 ft			105.0 ft			134.5 ft			154.2 ft			173.8 ft			190.2 ft		
	82°*	73°	65°	82°*	73°	65°	82°*	73°	65°	82°*	73°	65°	82°*	73°	65°	82°*	73°	65°
	1,000 lb																	
46	45.4	-	-	-	-	-	-	-	-	-	-	-	-	-	-	-	-	-
52	44.3	-	-	26.7	-	-	16.5	-	-	-	-	-	-	-	-	-	-	-
59	43.4	-	-	26.2	-	-	16.5	-	-	11.4	-	-	-	-	-	-	-	-
65	42.0	-	-	26.0	-	-	16.5	-	-	11.4	-	-	7.9	-	-	6.1	-	-
72	32.0	34.4	-	25.7	-	-	16.3	-	-	11.4	-	-	7.9	-	-	6.1	-	-
79	-	32.3	-	25.3	-	-	16.3	-	-	11.4	-	-	7.9	-	-	6.1	-	-
85	-	30.7	-	24.7	20.7	-	16.1	-	-	11.4	-	-	7.9	-	-	6.1	-	-
92	-	29.7	25.3	23.7	20.5	-	16.0	-	-	11.4	-	-	7.9	-	-	6.1	-	-
98	-	-	23.9	21.5	20.5	-	15.8	13.2	-	11.2	-	-	7.9	-	-	6.1	-	-
105	-	-	21.8	17.6	20.2	-	15.4	13.2	-	11.2	8.8	-	7.9	-	-	6.1	-	-
111	-	-	20.4	13.8	20.2	-	15.0	13.2	-	11.0	8.8	-	7.7	5.9	-	6.1	-	-
118	-	-	-	-	20.0	17.2	14.5	13.2	-	10.8	8.8	-	7.7	5.9	-	6.1	4.4	-
124	-	-	-	-	19.4	16.2	13.9	13.2	-	10.6	8.8	-	7.7	5.9	-	6.1	4.4	-
131	-	-	-	-	15.5	14.8	11.7	13.2	11.9	10.3	8.8	-	7.5	5.9	-	6.1	4.4	-
138	-	-	-	-	-	13.6	9.1	13.2	11.9	9.9	8.8	7.0	7.4	5.9	-	6.1	4.4	-
144	-	-	-	-	-	12.8	-	13.2	11.9	9.7	8.8	7.0	7.2	5.9	-	6.1	4.4	-
151	-	-	-	-	-	12.1	-	13.2	11.2	8.1	8.8	7.0	7.0	5.9	4.6	6.1	4.4	-
157	-	-	-	-	-	-	-	11.1	10.6	-	8.8	7.0	7.0	5.9	4.6	6.1	4.4	-
164	-	-	-	-	-	-	-	-	9.9	-	8.8	7.0	6.8	5.9	4.6	5.7	4.4	3.3
170	-	-	-	-	-	-	-	-	9.3	-	8.8	7.0	5.4	5.9	4.6	4.9	4.4	3.3
177	-	-	-	-	-	-	-	-	8.6	-	7.7	7.0	-	5.9	4.6	4.2	4.4	3.3
184	-	-	-	-	-	-	-	-	-	-	-	7.0	-	5.9	4.6	3.2	4.4	3.3
190	-	-	-	-	-	-	-	-	-	-	-	7.0	-	5.9	4.6	2.4	4.4	3.3
197	-	-	-	-	-	-	-	-	-	-	-	6.6	-	5.0	4.6	-	4.3	3.3
203	-	-	-	-	-	-	-	-	-	-	-	-	-	4.6	-	-	3.9	3.3
210	-	-	-	-	-	-	-	-	-	-	-	-	-	4.6	-	-	3.0	3.3
216	-	-	-	-	-	-	-	-	-	-	-	-	-	4.6	-	-	-	3.3
223	-	-	-	-	-	-	-	-	-	-	-	-	-	-	-	-	-	3.3
229	-	-	-	-	-	-	-	-	-	-	-	-	-	-	-	-	-	3.3

Remarks

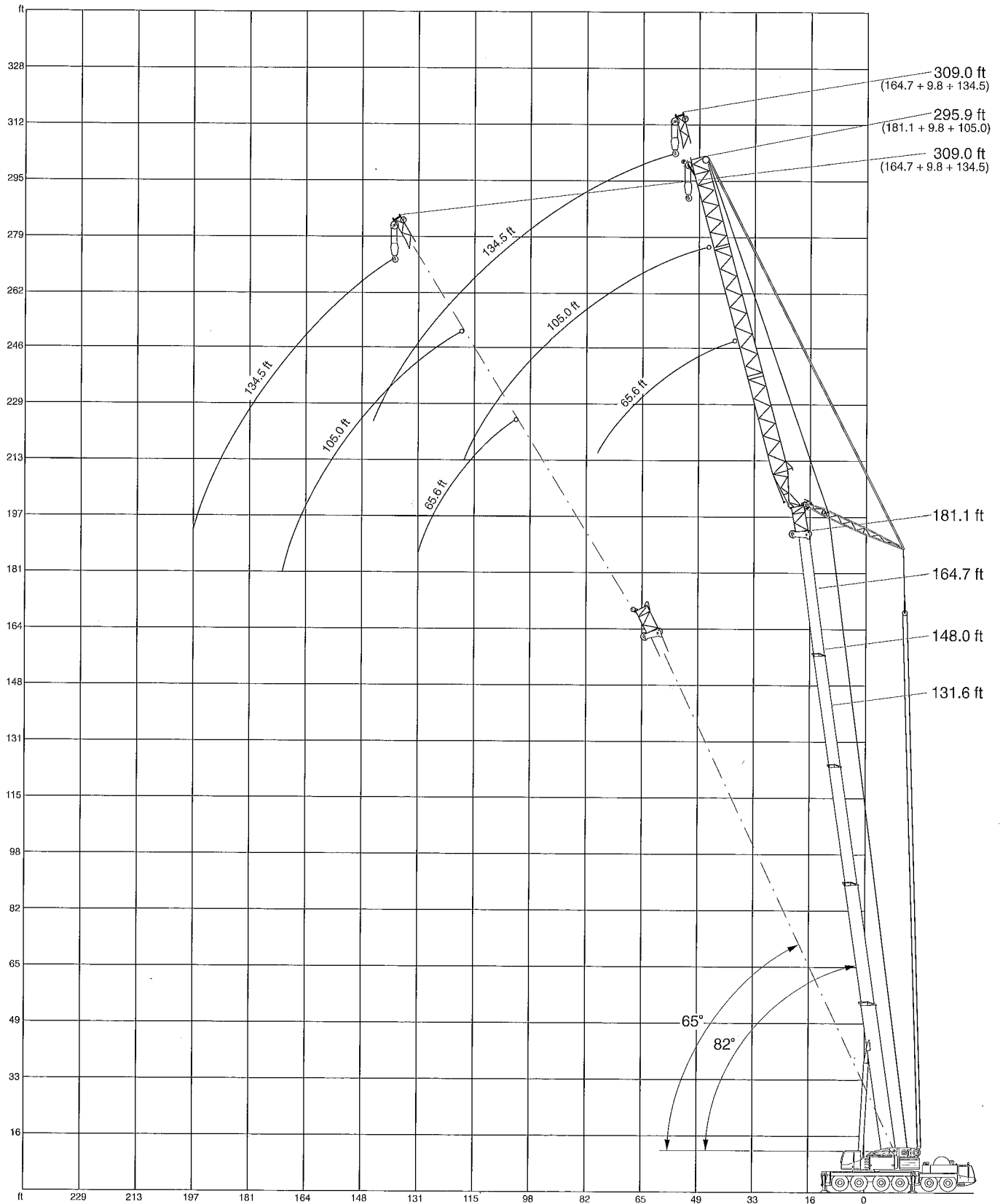
¹⁾ plus 9.8 ft adapter

* Capacities of main boom position 82° also valid for counterweight 88,000 lb

Working ranges luffing fly jib, main boom 82° to 65°



Working ranges luffing fly jib, main boom 82° to 65°



Lifting capacities luffing fly jib, main boom 82° to 65°

Main boom: 131.6 ft¹⁾

119,000 lb   360° 75%

Radius	Fly jib								
	65.6 ft			105.0 ft			134.5 ft		
	82°*	73°	65°	82°*	73°	65°	82°*	73°	65°
ft	1,000 lb								
46	33.9	-	-	-	-	-	-	-	-
52	33.9	-	-	20.2	-	-	-	-	-
59	32.8	-	-	20.0	-	-	12.3	-	-
65	32.0	-	-	19.8	-	-	12.3	-	-
72	30.8	-	-	19.4	-	-	12.1	-	-
79	-	27.5	-	19.1	-	-	12.1	-	-
85	-	26.2	-	18.7	-	-	12.1	-	-
92	-	24.8	-	18.2	16.5	-	11.9	-	-
98	-	23.8	-	17.8	16.3	-	11.9	-	-
105	-	-	18.9	17.4	15.8	-	11.6	9.4	-
111	-	-	18.1	15.1	15.6	-	11.6	9.4	-
118	-	-	17.2	-	15.2	-	11.4	9.4	-
124	-	-	-	-	15.0	13.0	11.4	9.4	-
131	-	-	-	-	14.7	12.7	11.2	9.4	-
138	-	-	-	-	-	12.3	10.1	9.4	7.9
144	-	-	-	-	-	11.7	-	9.4	7.9
151	-	-	-	-	-	10.7	-	9.4	7.9
157	-	-	-	-	-	10.1	-	9.4	7.9
164	-	-	-	-	-	-	-	9.4	7.9
170	-	-	-	-	-	-	-	-	7.9
177	-	-	-	-	-	-	-	-	7.7
184	-	-	-	-	-	-	-	-	7.0

Main boom: 148.0 ft¹⁾

119,000 lb   360° 75%

Radius	Fly jib								
	65.6 ft			105.0 ft			134.5 ft		
	82°*	73°	65°	82°*	73°	65°	82°*	73°	65°
ft	1,000 lb								
52	27.1	-	-	-	-	-	-	-	-
59	26.0	-	-	14.3	-	-	-	-	-
65	25.0	-	-	14.1	-	-	8.1	-	-
72	24.0	-	-	13.8	-	-	7.9	-	-
79	22.8	21.3	-	13.6	-	-	7.9	-	-
85	-	21.3	-	13.4	-	-	7.9	-	-
92	-	20.4	-	13.2	-	-	7.9	-	-
98	-	19.6	-	13.2	11.0	-	7.7	-	-
105	-	18.9	-	13.0	10.8	-	7.7	-	-
111	-	-	15.0	12.6	10.8	-	7.7	5.5	-
118	-	-	14.1	-	10.8	-	7.7	5.5	-
124	-	-	13.7	-	10.6	-	7.7	5.5	-
131	-	-	-	-	10.5	9.2	7.7	5.5	-
138	-	-	-	-	10.5	9.0	7.4	5.5	-
144	-	-	-	-	-	8.8	-	5.5	4.4
151	-	-	-	-	-	8.8	-	5.5	4.4
157	-	-	-	-	-	8.6	-	5.5	4.4
164	-	-	-	-	-	8.3	-	5.5	4.4
170	-	-	-	-	-	-	-	5.5	4.4
177	-	-	-	-	-	-	-	-	4.4
184	-	-	-	-	-	-	-	-	4.4
190	-	-	-	-	-	-	-	-	4.4

Remarks

- ¹⁾ plus 9.8 ft adapter
- * Capacities of main boom position 82° also valid for counterweight 88,000 lb

Lifting capacities luffing fly jib, main boom 82° to 65°

Main boom: 164.7 ft¹⁾

119,000 lb   360° 75%

Radius ft	Fly jib								
	65.6 ft			105.0 ft			134.5 ft		
	82°*	73°	65°	82°*	73°	65°	82°*	73°	65°
	1,000 lb								
52	15.9	-	-	-	-	-	-	-	-
59	15.2	-	-	8.1	-	-	-	-	-
65	14.8	-	-	7.7	-	-	3.9	-	-
72	14.5	-	-	7.5	-	-	3.9	-	-
79	14.3	-	-	7.2	-	-	3.9	-	-
85	-	12.1	-	7.0	-	-	3.9	-	-
92	-	11.9	-	7.0	-	-	3.9	-	-
98	-	11.6	-	6.8	-	-	3.9	-	-
105	-	11.4	-	6.6	5.9	-	3.9	-	-
111	-	-	10.1	6.6	5.7	-	3.9	-	-
118	-	-	10.1	6.6	5.7	-	3.9	2.8	-
124	-	-	10.1	-	5.5	-	3.9	2.8	-
131	-	-	-	-	5.5	-	3.9	2.8	-
138	-	-	-	-	5.5	4.4	3.9	2.8	-
144	-	-	-	-	5.5	4.4	3.9	2.8	-
151	-	-	-	-	-	4.4	-	2.8	-
157	-	-	-	-	-	4.4	-	2.8	2.2
164	-	-	-	-	-	4.4	-	2.8	2.2
170	-	-	-	-	-	4.4	-	2.8	2.2
177	-	-	-	-	-	-	-	-	2.2
184	-	-	-	-	-	-	-	-	2.2
190	-	-	-	-	-	-	-	-	2.2
197	-	-	-	-	-	-	-	-	2.2

Main boom: 181.1 ft¹⁾

119,000 lb   360° 75%

Radius ft	Fly jib								
	65.6 ft			105.0 ft			134.5 ft		
	82°*	73°	65°	82°*	73°	65°	82°*	73°	65°
	1,000 lb								
59	10.5	-	-	-	-	-	-	-	-
65	10.5	-	-	4.8	-	-	-	-	-
72	10.5	-	-	4.8	-	-	-	-	-
79	10.5	-	-	4.8	-	-	-	-	-
85	-	7.9	-	4.8	-	-	-	-	-
92	-	7.9	-	4.6	-	-	-	-	-
98	-	7.9	-	4.6	-	-	-	-	-
105	-	7.9	-	4.6	-	-	-	-	-
111	-	-	6.1	4.6	3.3	-	-	-	-
118	-	-	6.1	4.4	3.3	-	-	-	-
124	-	-	6.1	-	3.3	-	-	-	-
131	-	-	-	-	3.3	-	-	-	-
138	-	-	-	-	3.0	-	-	-	-
144	-	-	-	-	3.0	-	-	-	-
151	-	-	-	-	3.0	2.2	-	-	-
157	-	-	-	-	-	2.2	-	-	-
164	-	-	-	-	-	2.2	-	-	-
170	-	-	-	-	-	2.2	-	-	-
177	-	-	-	-	-	2.2	-	-	-

Remarks

¹⁾ plus 9.8 ft adapter

* Capacities of main boom position 82° also valid for counterweight 88,000 lb



Subject to change without notice. Machine operation is subject to computer charts only.

4/97

Demag Material Handling Equipment Corporation

Mobile Cranes

29201 Aurora Road · Cleveland, Ohio 44139

Telephone: 216-519-1131

Telefax: 216-519-1138

Order Nr. AC 535 USA