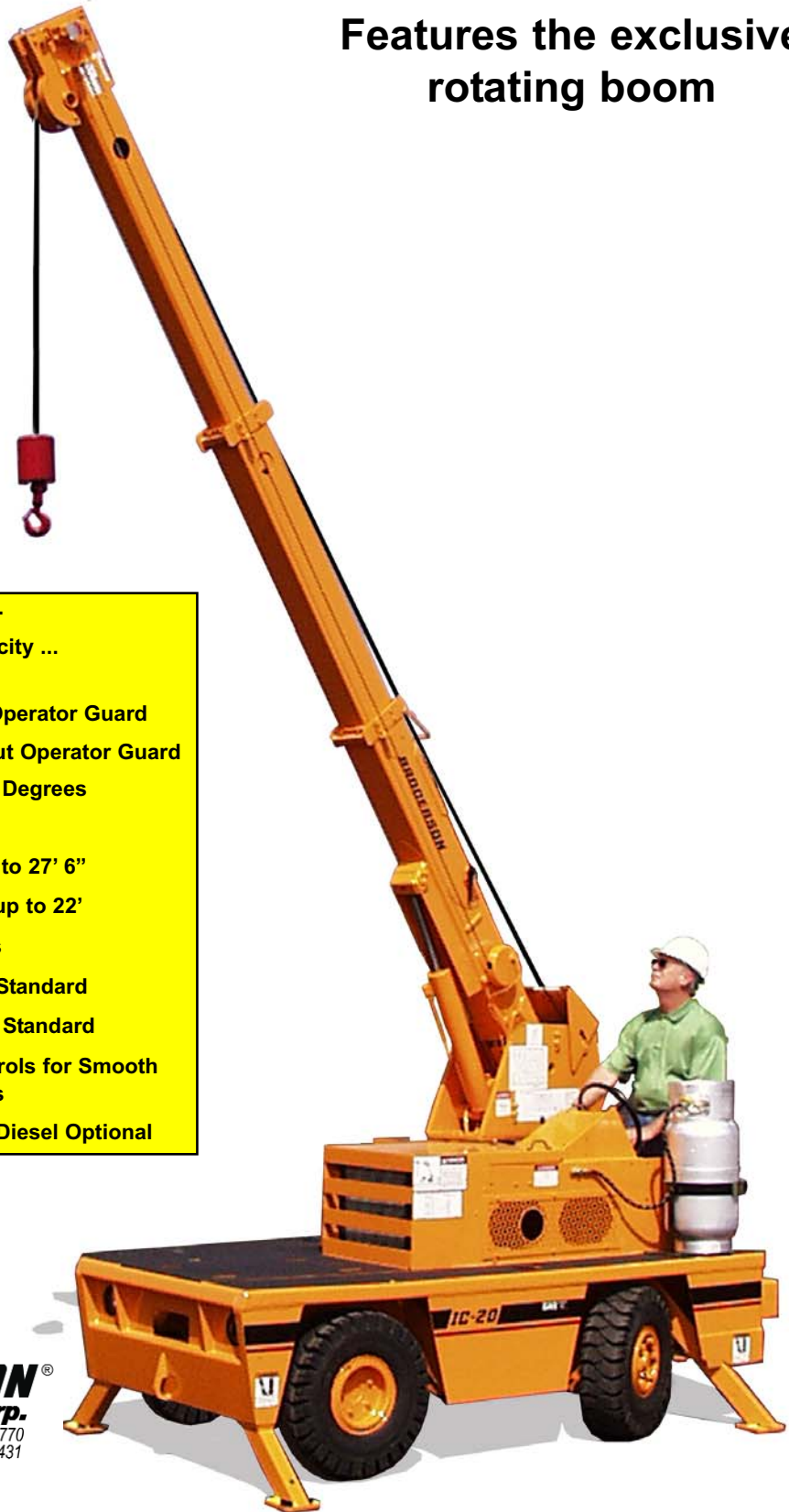


**Tech  
Spec**

# IC-20-G

**Features the exclusive  
rotating boom**

- Capacity ... 5,000 lbs.
- Pick and Carry Capacity ... up to 2,500 lbs.
- Height ... 7' 6" with Operator Guard
- Height ... 5' 6" without Operator Guard
- Boom Rotation ... 90 Degrees
- Width ... 4'
- Sheave Height ... Up to 27' 6"
- Horizontal Reach ... up to 22'
- Tight Turning Radius
- Rear Wheel Steer ... Standard
- Front Wheel Drive ... Standard
- Fully Hydraulic Controls for Smooth Precise Operations
- Dual Fuel Standard, Diesel Optional



**BMD<sup>®</sup> BRODERSON<sup>®</sup>**  
**Manufacturing Corp.**  
P.O. Box 14770, Lenexa, KS 66285-4770  
(913) 888-0606 • FAX (913) 888-8431  
website: [bmccranes.com](http://bmccranes.com)

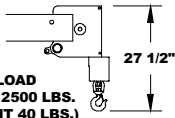
# IC-20-G

**CAPACITIES APPLY TO OPERATION ON FIRM LEVEL SURFACE**

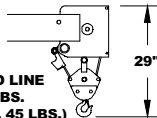
LOAD RADIUS FEET	3-SECTION BOOM				7-FT. JIB
	FRONT ON RUBBER	FRONT ON OUTRIGGERS	LEFT SIDE ON RUBBER	LEFT SIDE ON OUTRIGGERS	ON RUBBER OR OUTRIGGERS
4	2500	5000	3800	5000	1300
5	2000	4000	3100	4000	1100
6	1500	3300	2500	3300	750
8	1400	2500	1500	2500	650
10	1300	2000	1000	2000	550
12	1200	1600	750	1400	500
15	1100	1200	500	1000	500
17					425
19					325
22					225

CAPACITIES ON OUTRIGGERS ARE 85% OF TIPPING LOADS. CAPACITIES ON RUBBER ARE 75% OF TIPPING LOADS.

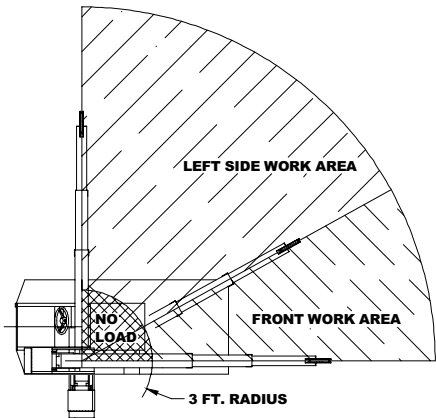
CAPACITIES BELOW BOLD LINE ARE LIMITED BY TIPPING. OTHER CAPACITIES ARE LIMITED BY STRUCTURAL OR HYDRAULIC CAPACITY.



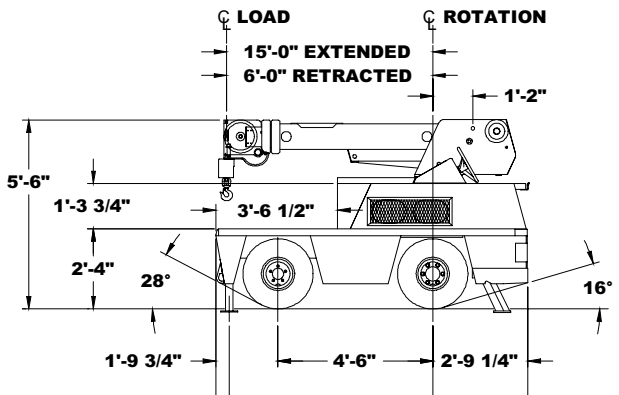
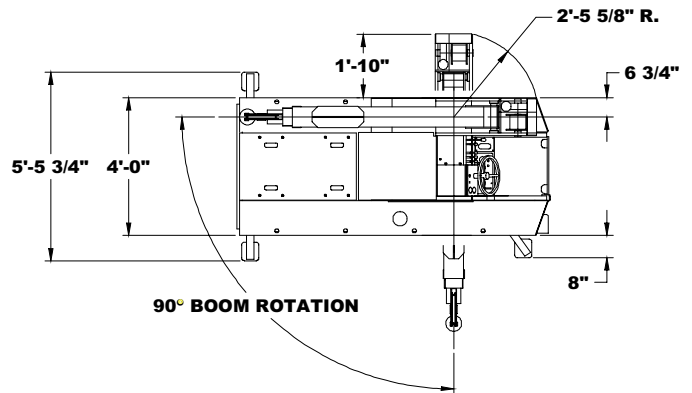
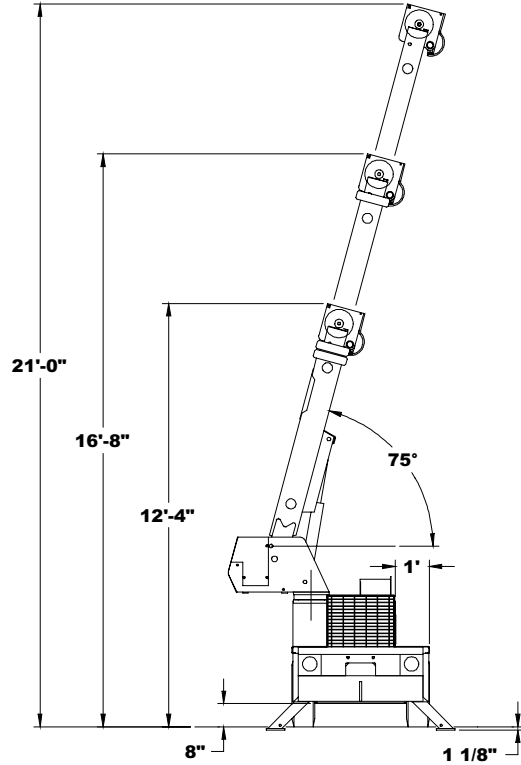
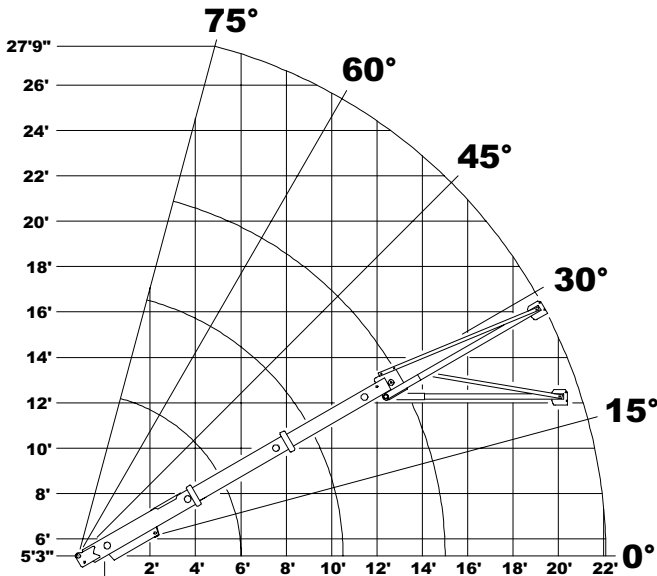
USE SINGLE PART LOAD LINE FOR LOAD TO 2500 LBS. (DOWNHAUL WEIGHT 40 LBS.)



USE TWO PART LOAD LINE FOR LOAD TO 5000 LBS. (SHEAVE BLOCK WT. 45 LBS.)



WORK AREA DIAGRAM



# Tech Spec

## General:

<b>Weight</b>	6,180 lbs.
<b>Travel Speed</b>	Up to 5.5 mph
<b>Drawbar Pull</b>	2,800 lbs.
<b>Boom Movements:</b>	
Rotation	90 degrees
Elevation	0 to 75 degrees
Telescope	6 ft. to 15 ft.
<b>Boom Speeds:</b>	
Rotation	12 seconds
Elevation	10 seconds
Telescope	27 seconds

## Engine:

Make	Nissan	Cummins
Model	H20	A2300
Type	Dual Fuel	Diesel
Cylinders	4	4
Displacement	121 CID	140 CID
HP @ Governed speed	51 HP	50 HP
Fuel Tank Capacity	13.5 Gallon gas tank	33 lb. Aluminum LPG tank

## Hydrostatic Pump:

Piston type, 2.8 CID/Rev direct driveline driven from engine crankshaft.

## Axles:

### Front Drive Axle:

Contains planetary geared torque hubs and high torque hydraulic drive motors. Axle oscillates a total of 1-1/2 inches.

### Rear Steering Axle:

Non-oscillating.

## Steering:

Full hydraulic unit with one double-acting cylinder attached to rear axle.

## Brakes:

Primary braking from hydrostatic transmission. Foot-actuated hydraulic disc brakes for additional braking. Spring applied hydraulic released park brake, actuated from a toggle switch on operator's control panel. All braking is on front wheels.

## Tires:

Front - 7.5 x 10 pneumatic, 16-ply rating.  
Rear - 7.5 x 10 pneumatic, 16-ply rating.

## Chassis:

### Cargo Deck:

Nineteen square feet deck area, 5,000 pounds capacity.

## Chassis: (Cont'd)

### Outriggers:

Three hydraulic outriggers of box beam construction with direct-connected holding valves.

### Lifting Sling Brackets:

Includes two lift rings in front deck and lug on turntable for attaching lifting sling cables. Cables not included.

## Operator's Compartment:

Provides one-position access to all chassis and crane functions. Includes a fire extinguisher and bubble level.

## Electrical System:

### 12 Volt System

### Lighting Group:

One pair headlights and taillight.

### Instrument Group:

Fuel, ammeter, oil pressure, water temperature hydrostatic oil temperature gauges & hourmeter.

### Back-Up Alarm:

Provides pulsating sound when transmission is in reverse.

## Hydraulic System:

Tandem pump mounted to rear of hydrostatic piston pump. Delivers 5 & 16 GPM at rated engine RPM. Hydraulic oil tank capacity 9.5 gallons.

## Boom:

### Boom Assembly:

Three-section boom assembly equipped with bearing pads, double-acting hydraulic cylinders equipped with direct-connected holding valves. Boom angle indicator on left side of boom.

### Boom Swing:

Two double-acting hydraulic cylinders connected to turntable torque tube provides 90 degrees rotation. Heavy-duty rotation bearing supports boom.

### Boom Hoist:

Turret-mounted, hydraulically powered hoist, provides bare drum line pull of 3,100 lbs. at a speed of 46 fpm. Includes downhaul weight, swivel hook and 80 ft. of 5/16 in. wire rope.

### Anti Two-Block Device:

Prevents damage to hoist rope and/or crane components from pulling load hook against tip.

### Sheave Block, Two-Part:

Single sheave block for 2-part line requirements.

# IC-20-G

Listed below are brief descriptions of each option available for the IC-20-1G Industrial Crane. Consult the IC-20-1G Engineering Spec for additional information on each option.

## IC-20-1G, 2-1/2 Ton Industrial Crane with Dual Fuel Engine, C.A.R.B., Compliant Exempt.

### Engine Options:

#### Cummins Diesel Engine

Cummins Model A2300, C.A.R.B. Tier II and E.P.A. Tier II Certified

#### Spark Arrester Muffler

Installed in addition to standard muffler.

#### Engine Shutdown Gauges

Shuts engine off when high coolant temperature or low engine oil pressure occurs.

### Tire Option:

#### Solid Rubber Tires

For applications where hazardous ground conditions exist.

#### Non-Marking Solid Rubber Tires

#### Foam Filling of Tires

#### Spare Tire & Wheel: (Specify front or rear)

7.50 x 10, 16-ply (front & rear wheels are different).

### Cargo Deck Option:

#### Deck Mats:

Protects delicate loads from scratching and reduces sliding of heavy loads during travel.

### Chassis Options:

#### Auxiliary Winch

Mounted behind front bumper, hydraulically driven with control in operator's console (3,000 lbs. @ 20 FPM).

#### Pintle Hook

Pintle hook mounted on rear frame, 5 ton capacity.

#### Lifting Sling

Three leg lift sling only.

### Operator Compartment Options:

#### Operator Guard

Tubular steel weldment with heavy expanded steel mesh top section. Overhead height with guard installed 90 inches.

#### Floor Mat:

Vinyl mat with foam backing.

### Electrical Options:

#### Strobe Light

One yellow strobe light mounted on top of operator's guard for high visibility. When the operator's guard is not ordered the strobe light is mounted on left-hand frame rail.

#### Boom Work Lights

One work light mounted to boom to light boom tip and one work light mounted to turret to light ground under boom tip.

### Boom Attachment Options:

#### Boom Swing Lock

Prevents boom from being swung in normal 90 degree arc.

#### 7 Foot Pin-on Jib

Consists of jib with pair of tension bars, tip sheave, cable keeper, pins & jib attaching pins. Tension bars provide two positions: In-line & 30 degree offset.

#### Rated Capacity Limiter

Warns operator of impending overload with audible and visual signals. Prevents overload by stopping boom functions that cause overloads. Readouts for load, boom angle, boom length and load radius.

**Should you, as the end user, require an option or special equipment on your IC-20-1G that is not listed on our sales literature, please contact your dealer salesperson or the factory to receive a special quoted price.**

**DMC<sup>®</sup> BRODERSON<sup>®</sup>**  
**Manufacturing Corp.**

P.O. Box 14770, Lenexa, KS 66285-4770  
(913) 888-0606 • FAX (913) 888-8431  
website: [bmcrcranes.com](http://bmcrcranes.com)