

系统优化升级

QY30K

SYSTEMIC OPTIMIZATION & UPGRADE

最大起重能力

Max. Total Rated Lifting Load



30t

主臂最大起升高度

Full-extend Boom Lifting Height



33m

副臂最大起升高度

Full-extend Boom+Jib Lifting Height



48.7m



The Series of Construction Crane

全路面起重机 汽车起重机 履带式起重机

All-Terrain Crane Series Truck Crane Series Crawler Crane Series

QY30K FULL HYDRAULIC TRUCK CRANE

QY30K 主臂起重性能表 Total rated lifting load for boom (表一 Table 1)

全伸活动支腿, 360° 作业 Full-extend outrigger, 360° swing														
工作幅度 working radius m	10.5m		14.3m		18m		21.8m		25.5m		29.3m		33m	
	起重量 Lifting Load (kg)	起升高度 Lifting Height (m)	起重量 Lifting Load (kg)	起升高度 Lifting Height (m)	起重量 Lifting Load (kg)	起升高度 Lifting Height (m)	起重量 Lifting Load (kg)	起升高度 Lifting Height (m)	起重量 Lifting Load (kg)	起升高度 Lifting Height (m)	起重量 Lifting Load (kg)	起升高度 Lifting Height (m)	起重量 Lifting Load (kg)	起升高度 Lifting Height (m)
3.0	30	10.5												
3.5	30	10.26	20	14.40	18.9	18.27								
4.0	27.5	9.99	20	14.21	18.9	18.13	16.6	22.07						
4.5	25	9.69	20	14.00	18.9	17.97	15.7	21.94						
5.0	22.5	9.3	20	13.76	18.9	17.79	14.9	21.79	12	25.64				
6.0	18	8.48	18.3	13.22	17	17.38	13.4	21.47	11.2	25.36	9.1	29.31	7.9	33.12
7.0	13.8	7.37	14	12.57	14	16.90	12.2	21.08	10	25.04	8.8	29.03	7.2	32.88
8.0	10.9	5.82	11.1	11.79	11.1	16.34	11.2	20.64	9.2	24.67	8.1	28.72	6.4	32.60
9.0	8.9	3.06	9.1	10.85	9.1	15.69	9.5	20.14	8.6	24.26	7.5	28.36	5.9	32.29
10.0			7.5	9.70	7.6	14.94	8	19.57	8.1	23.79	6.9	27.97	5.6	31.95
11.0			6.4	8.23	6.4	14.07	6.8	18.92	7	23.27	6.3	27.53	5.3	31.56
12.0			5.4	6.20	5.4	13.06	5.8	18.2	6.1	22.69	6	27.04	5.1	31.14
14.0					3.8	10.41	4.2	16.45	4.5	21.33	4.4	25.92	4.4	30.18
16.0					2.7	5.92	3.1	14.19	3.3	19.66	3.2	24.58	3.3	29.04
18.0							2.3	11.07	2.5	17.59	2.4	22.98	2.4	27.71
20.0									1.9	14.95	1.8	21.05	1.8	26.14
22.0									1.4	11.29	1.3	18.69	1.4	24.30
24.0											1	15.71	1	22.12
26.0											0.6	11.57	0.7	19.47
28.0													0.48	16.11
倍率 Parts of line	10			6			4			3				
吊钩 Lift hook	400kg													

注: 对表中的起重量说明如下:

◆ 表中额定总起重量值是起重机在平整坚固地面上能够保证的最大总起重量;

◆ 表中额定总起重量包括吊钩和吊具的重量;

◆ 表中的工作幅度是包括吊臂变形量在内的实际值, 因此一定以工作幅度为依据进行起重作业;

◆ 只允许在7级风以下进行作业;

◆ 表中的主臂仰角和起升高度为参考值, 作业时应以力显示器显示为准;

◆ 臂端滑轮的性能与相应支腿跨距时的主臂性能相同, 但最大起重量不得超过4000kg;

◆ 当吊臂长度和工作幅度与表中不相同, 应取下一个吊臂长度和工作幅度进行作业;

◆ 当副臂处于作业状态而使用主臂吊重时, 主臂额定起重量至少应减少1150kg。

Notes On The Total Rated Lifting Load In The Tables:

◆ The total rated load shown in the tables are the max. lifting capacity for the crane set up on firm and level ground.

◆ Each total rated load includes the weight of hook block and slings.

◆ The working radius in the tables includes the actual value of boom deflection under load. So lifting operation must be according to the working radius.

◆ Lifting operation is only permissible when wind force below 7.

◆ The boom angle and lifting height in the tables are for reference. Lifting operation should be based on the display of load moment limiter.

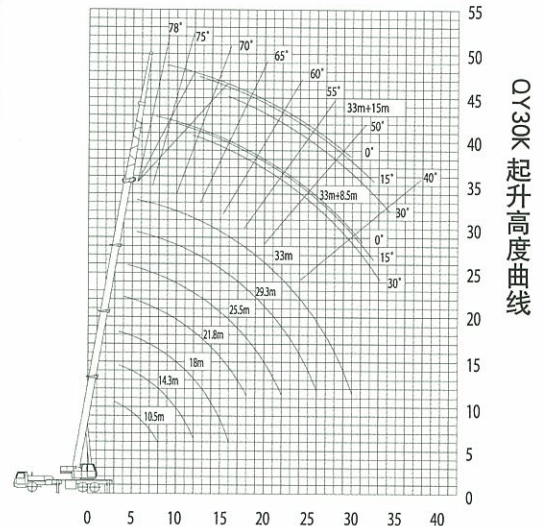
◆ The total rated load for single top is same as boom but the max. lifting capacity do not exceed 4000kg.

◆ When the actual boom length and working radius are not same with the ones in the tables, take the boom length and working radius on next line.

◆ When jib is attached on boom head, 1150kg should be reduced from boom total rated load.

副臂起重性能表 Total rated lifting load for jib (表二 Table 2)

支腿全伸6m, 吊臂位于起重侧方或后方 Full-extend outrigger 6m, boom at the side or the rear												
主臂仰角 Boom angle (°)	主臂 Boom 33m											
	补偿角 Offset angle											
	0°				15°				30°			
	8.5m		15m		8.5m		15m		8.5m		15m	
起重量 Lifting Load (t)	起升高度 Lifting height (m)	起重量 Lifting Load (t)	起升高度 Lifting height (m)	起重量 Lifting Load (t)	起升高度 Lifting height (m)	起重量 Lifting Load (t)	起升高度 Lifting height (m)	起重量 Lifting Load (t)	起升高度 Lifting height (m)	起重量 Lifting Load (t)	起升高度 Lifting height (m)	
78	4	42.46	2.1	48.82	2.7	41.88	1.4	47.67	2.44	40.85	1.1	45.68
75	3.6	41.95	2	48.22	2.5	41.27	1.2	46.9	2.3	40.15	1	44.75
72	3.35	41.32	1.84	47.5	2.25	40.55	1.12	46.01	2.15	39.35	0.94	43.7
70	3.15	40.84	1.69	46.95	2.15	40.02	1.05	45.34	2.05	38.76	0.9	42.94
65	2.62	39.45	1.36	45.34	1.98	38.47	0.9	43.45	1.92	37.09	0.8	40.82
60	1.72	37.76	1.14	43.39	1.62	36.65	0.8	41.24	1.42	35.16	0.75	38.41
55	1.2	35.81	0.85	41.13	1.1	34.56	0.7	38.74	1.1	32.97	0.68	35.71
50	0.85	33.60	0.45	38.58	0.7	32.22	0.37	35.95	0.6	30.54	0.3	32.76
40	0.4	28.46			0.36	26.87			0.35	25.05		

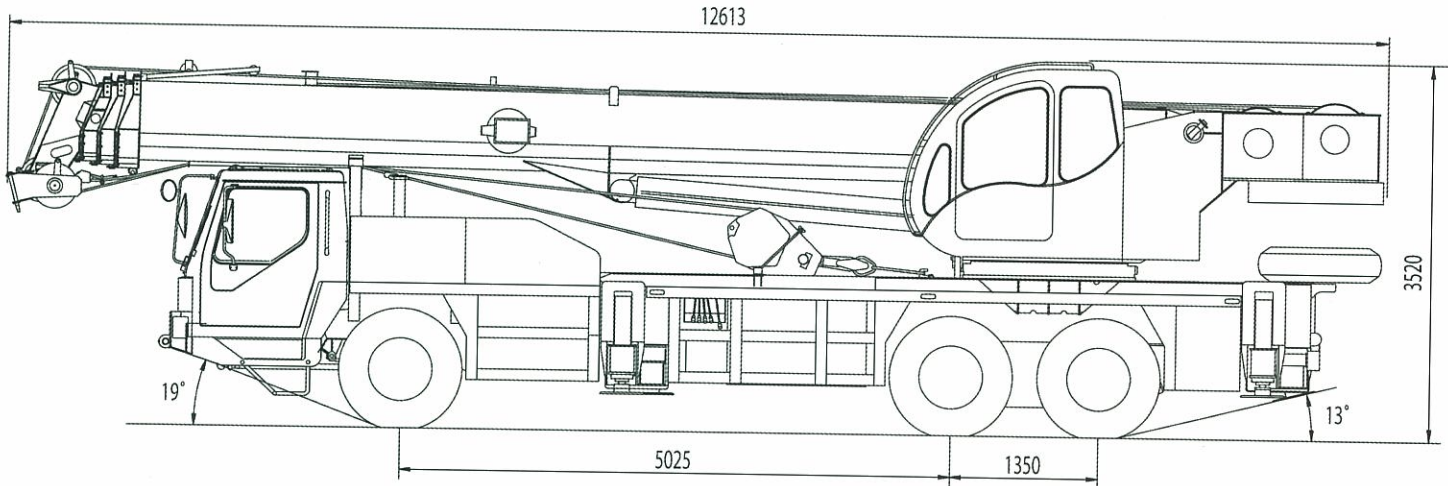


注: 公司保留随技术改进而修改技术参数及部件的权利

All specifications are subject to technical modifications without notice

QY30K 全液压汽车起重机

QY30K 外形尺寸
Dimensions



尺寸参数 Dimensions

整机全长 Overall length	mm	12613
整机全宽 Overall width	mm	2500
整机全高 Overall height	mm	3520

重量参数 Weight

行驶状态整机重量 Dead weight in travel state	kg	32400
轴荷 Axle load		
前轴 Front Axle	kg	7600
后轴 Rear Axle	kg	24800

动力参数 Power

发动机型号 Engine model	6CL280-2 SC8DK280Q3		
发动机额定功率 Engine rated output	kW/(r/min)	206/2200	206/2200
发动机额定扭矩 Engine rated torque	N.m/(r/min)	1170/1400	1112/1400
发动机额定转速 Max. travel speed	r/min	2200	2200

行驶参数 Travel

最高行驶速度 Max. Travel speed	km/h	75	75
最小转弯直径 Min. turning diameter	mm	22000	22000
最小离地间隙 Min. ground clearance	mm	291	291
接近角 Approach angle	°	19	19
离去角 Departure angle	°	13	13
制动距离 (车速为 30km/h) Braking distance(at 30km/h)	m	10	10
最大爬坡能力 Max. Gradeability	%	30	30
百公里油耗 Fuel consumption of 100km	L	40	40

主要性能参数 Lifting performance

最大额定总起重量 Max. Total rated lifting load	t	30
最小额定幅度 Min. rated working radius	m	3
转台尾部回转半径 Turning radius at swing table tail	mm	3055
最大起重力矩 Max. load moment		
基本臂 Base boom	kN.m	1102
最长主臂 Full-extend boom	kN.m	603
最长主臂 + 副臂 Full-extend boom+Jib	kN.m	496
支腿距离 Outrigger extension distance		
纵向 / 横向 Longitudinal/Lateral	m	5.85/6.0
起升高度 Lifting height		
基本臂 Base boom	m	10.5
最长主臂 Full-extend boom	m	33
最长主臂 + 副臂 Full-extend boom+Jib	m	48.7

工作速度参数 Working speed

起重臂全程起臂 Boom Raising	s	80
起重臂伸缩时间 Boom telescoping time		
全程全伸 / 缩 Full - extending / retracting	s	100/70
最大回转速度 Max. Slewing speed	m/min	2
支腿伸缩时间 Outrigger telescoping time		
水平支腿同时伸 / 缩 Outrigger beam extending/retracting synchronously	s	35/30
垂直支腿同时伸 / 缩 Outrigger jack extending/retracting synchronously	s	40/25
起升速度 (单绳) Hoisting speed(single rope)		
主起升机构满载 / 空载 Main winch with full load/no load	m/min	85/110
副起升机构满载 / 空载 Auxiliary winch with full load/no load	m/min	80/100

QY30K FULL HYDRAULIC TRUCK CRANE

QY30K 全液压汽车起重机主要特点:

- ◆ 采用全头大视野豪华型驾驶室, 新型大圆弧流线型操纵室, 整机造型美观。
- ◆ 四节八边形大圆弧主臂和单缸加绳排伸缩技术, 两节折叠副臂, 大大提高了整机的起重性能和作业范围。
- ◆ 配置了大功率环保型发动机, 提高底盘的动力和通过性能。
- ◆ 大量应用集成控制技术, 简化液压管路, 具有高度可靠性。
- ◆ 采用液压先导控制技术, 两个手柄可以实现上车所有动作的控制, 改善了起重动作的微动性能和操作舒适性。
- ◆ 完善的安全保护装置, 配有全自动力矩限制器, 过载和过卷保护装置, 极大地提高了作业的安全性。
- ◆ 驾驶室为豪华型全头驾驶室, 宽敞舒适, 配有减震可调式司机座椅, 可有效降低或抵消有害震动, 减轻疲劳。

QY30K FULL HYDRAULIC TRUCK CRANE:

- ◆ Full-dimensional driver's cab with wide field of vision, newly designed all-round and streamlined operator's cab, good-looking of the whole machine.
- ◆ 4 boom sections of octagonal profile and single cylinder plus wire ropes, 2 jib sections of side-mounted folding type jib, greatly improved lifting performance and working area.
- ◆ Powerful and environmental engine offers strong drive for good travel and possibility.
- ◆ Integrated control and simplified pipeline realize high reliability for hydraulic system.
- ◆ Hydraulic system with pilot control contributes all lifting operations precisely with softly pushing the two joysticks on armrest.
- ◆ Well-equipped safety devices such as load moment limiter (LML), overload and over-winding protection device, greatly improved safety for operation.
- ◆ Driver's cab is full-dimension type, spacious and comfortable, equipped with adjustable seat, effectively decrease vibration and reduce tiredness for operator.



徐工集团徐州重型机械有限公司

地址: 中国江苏徐州市铜山路165号
 Add: No.165 Tongshan Road Xuzhou Jiangsu China
 电话(Tel): 0516-83462242 83462350
 传真(Fax): 0516-83461669
 邮编(Post Code): 221004
 网址(URL): <http://www.xzxc.com.cn>
 E-mail: xzxyx@pub.xz.jsinfo.net
 服务电话(Service Tel): 0516-83461183
 服务传真(Service Fax): 0516-83461180
 质量监督电话(Quality Inquiry Tel): 0516-87888268
 备件电话(Spare Parts Tel): 0516-83461542
 大修厂(Overhaul Factory): 0516-83461904



3C强制性产品认证证书



职业安全健康管理体系认证证书



环境管理体系认证证书



国家一级企业证书



ISO9001质量体系认证证书



ISO10012计量体系认证证书