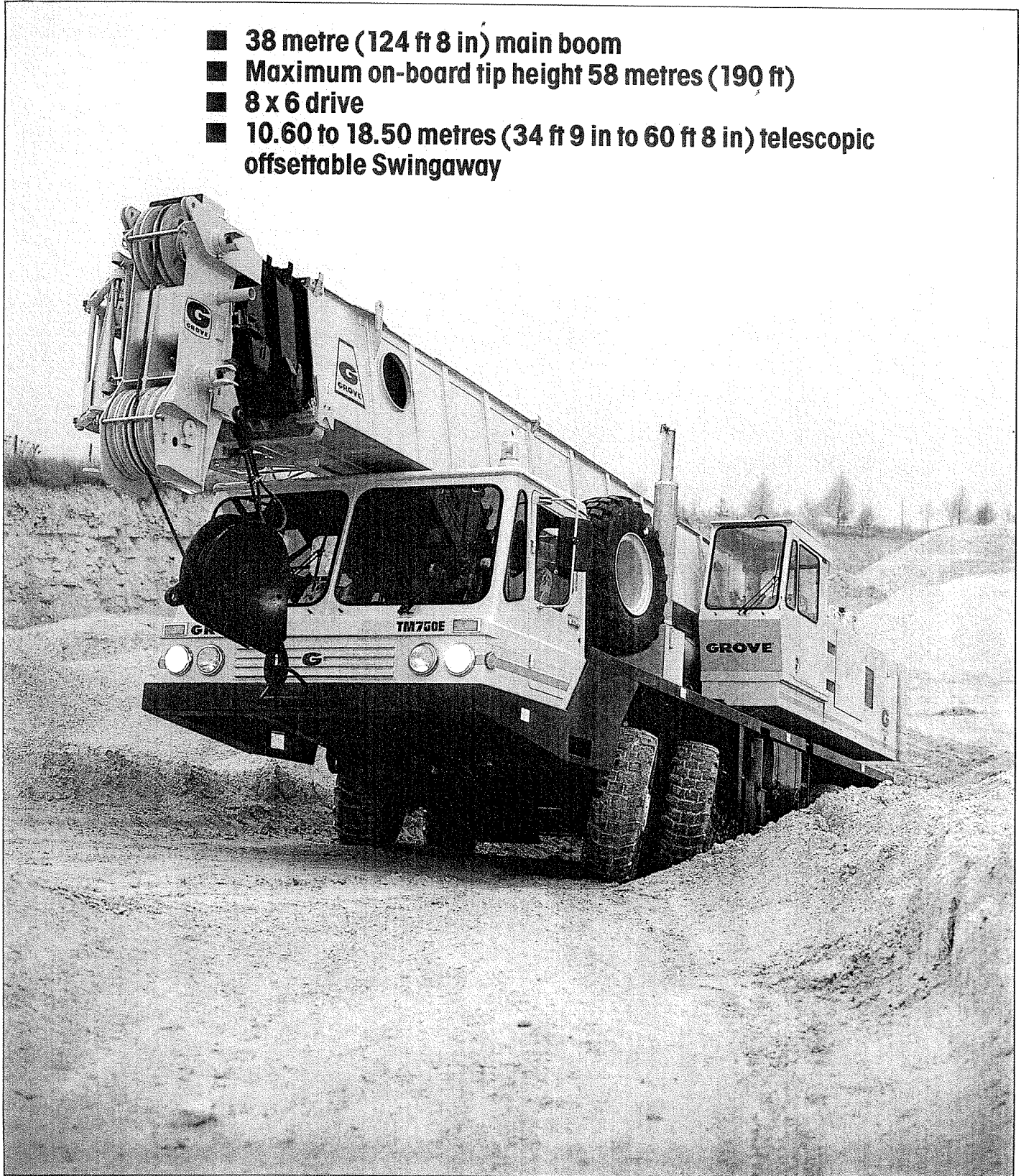


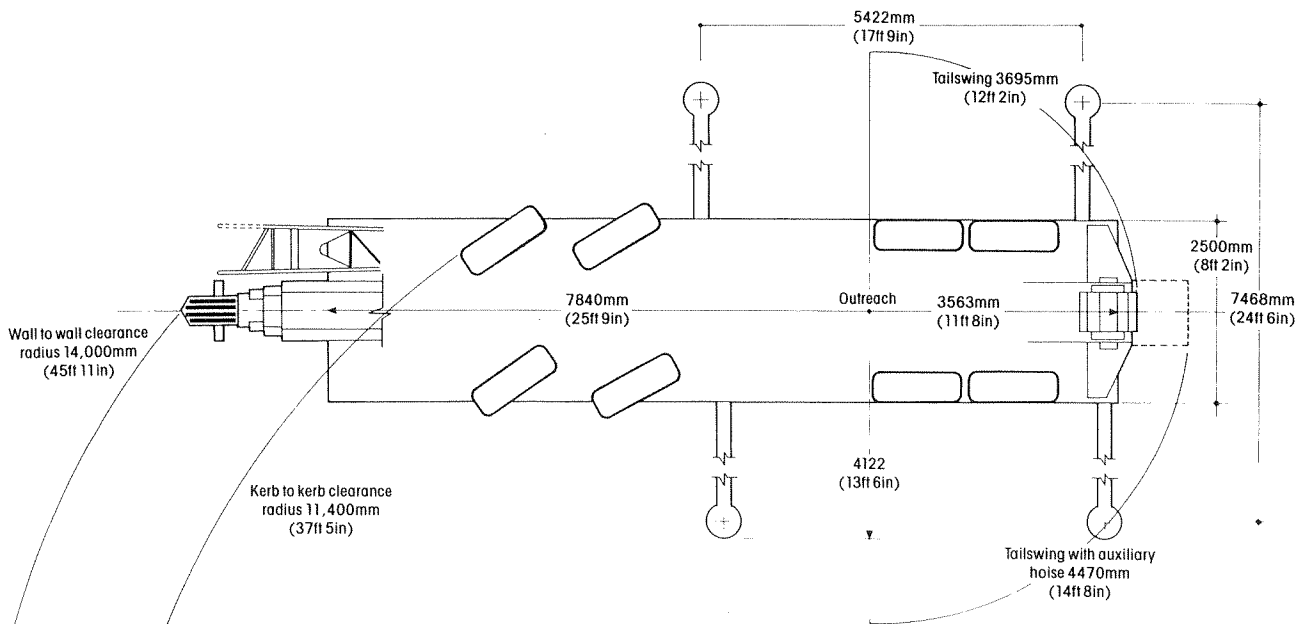
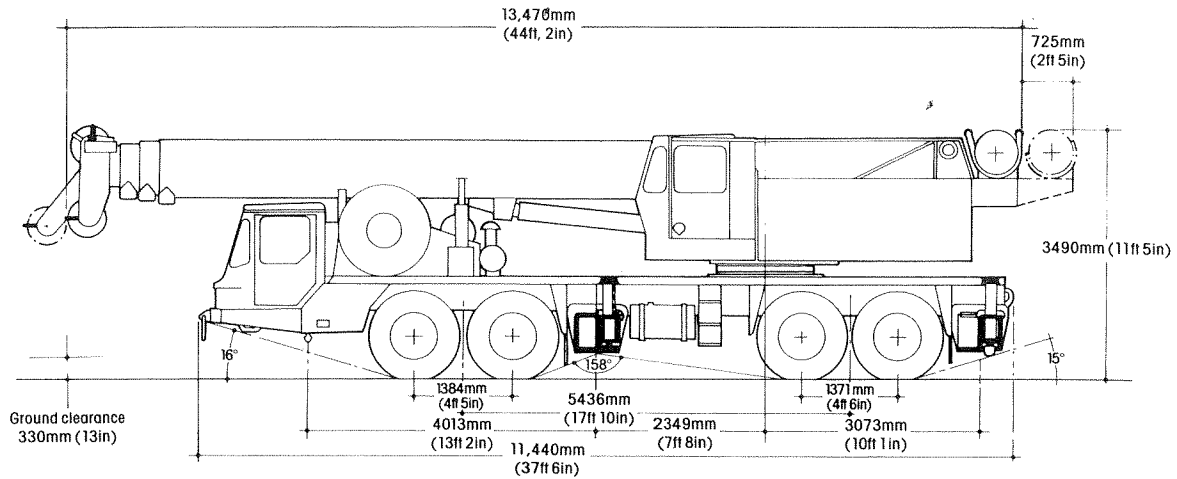
GROVE[®] COLES

TM750E

Truck-mounted hydraulic crane

- 38 metre (124 ft 8 in) main boom
- Maximum on-board tip height 58 metres (190 ft)
- 8 x 6 drive
- 10.60 to 18.50 metres (34 ft 9 in to 60 ft 8 in) telescopic offsettable Swingaway





GROVE COLES LIMITED

International Sales and Marketing
 Telford Road, Bicester, Oxfordshire OX6 0TZ, England
 Telephone: Bicester (0869) 246800
 Telex: 837447 CRANES G
 Fax: Bicester (0869) 246965

Constant improvement and engineering progress make it necessary that the company reserves the right to make specification, equipment and price changes without notice. Illustrations shown may include optional equipment and accessories and may not include all standard equipment. Optional equipment is designated by (*) in specifications folder.

Superstructure specifications

Boom	12.10 to 38.00 m (39 ft 8 in to 124 ft 8 in) four-section, Trapezoidal main boom consisting of base, two full power sections and one remote controlled aerial power-pinned section. Telescopic sections slide on adjustable and replaceable Nylatron pads. Telescopic cylinders with integral holding valves. Maximum tip height 40 m (131 ft).
Telescopic Swingaway	10.60 to 14.60 m or 18.50 m (34 ft 9 in to 47 ft 11 in or 60 ft 8 in) telescopic Swingaway boom extension, with a rectangular roller-mounted section which is extended from within the 10.60 m (34 ft 9 in) lattice extension. Offsettable to 2°, 15° or 30°. Stows alongside base boom section when not in use. Maximum tip height 58 m (190 ft).
Optional *non-telescopic Swingaway	10.60 m (34 ft 9 in), offsettable, to 2°, 15° or 30° lattice Swingaway boom extension, stows alongside base boom section when not in use. Maximum tip height 50 m (164 ft).
Boom nose	Five sheaves, mounted on heavy duty tapered roller bearings. Removable pin-type rope guards. Optional *auxiliary boom nose for single line lifting.
Boom elevation	Double-acting hydraulic cylinders with integral holding valves provide elevation from -4° to +80°.
LMI	Load-moment indicator with anti-two block system. Audio visual type warning with control lever lockout.
Cab	All-steel, acoustically treated, fully enclosed with safety glass, hinged skylight with electric wiper, windscreens wiper, horn, heater, air circulation fan, crane level indicator, lockable sliding door, safety warning light for front stabilizer, full instrumentation and crane controls.
Swing	Ball bearing swing circle, 360° continuous rotation. Grove planetary Glideswing incorporating foot-operated spring-applied brake, electric/hydraulic swing park brake, two position manual swinglock.
Counterweight	Fixed-position 1100 kg (2425 lb) pin-mounted with coverplate.
Engine	Deutz BF6L913, six-cylinder, turbocharged air-cooled diesel. 6.13 litres; 119 kw (160 bhp) at 2650 rpm; maximum torque 490 Nm (361 lb ft) at 1650 rpm.
Optional *engine	Cummins 6 BTA 5.9, six-cylinder turbocharged and aftercooled, water-cooled diesel. 5.9 litres; 149 kw (200 bhp) at 2500 rpm; maximum torque 683 Nm (504 lb ft) at 1700 rpm.
Fuel tank capacity	230 litres (61 US gallons).
Electrical system	24 v (including starting).

HYDRAULIC SYSTEM

Pumps	Four gear pumps, with manual disconnect, combined capacity 626 litres/minute (165 US gallons/minute). Maximum pressure 175 kg/cm ² (2500 PSI).
Valves	Precision, four-way, double-acting control valves with four individual valve banks, permitting simultaneous multi-functioning.
Filters	Return-line type filter with by-pass protection and indicator. 25 micron rated cartridge. One pressure line filter with 10 micron rated replaceable element and filter service indicator.
Reservoir	632 litres (167 US gallons) capacity. Internal baffles, particle magnet and exterior oil level gauge.
Oil cooler	Thermostatically controlled, electric fan motor.
Pressure check panel	System pressure test panel with quick-release couplings.

HOIST SPECIFICATIONS

Power up and down, (main two speed, auxiliary single speed), planetary reduction with integral automatic spring-applied multi-disc brake. Electronic hoist drum rotation indicator, cable follower, over lower limit switch.

	Main hoist Grove H030B-26		*Auxiliary hoist Grove H015B-16
	High speed	Low speed	Single speed

Maximum single line speed

	Bottom layer	Intermediate layer	Top layer
Bottom layer	117 m/min (384 ft/min)	60 m/min (197 ft/min)	87.5 m/min (287 ft/min)
Intermediate layer	138.5 m/min (454 ft/min)	70 m/min (230 ft/min)	101 m/min (331 ft/min)
Top layer	160 m/min (525 ft/min)	80 m/min (262 ft/min)	115 m/min (377 ft/min)

Maximum single line pull

	Bottom layer	Intermediate layer	Top layer
Bottom layer	3640 kg (8025 lb)	7280 kg (16,050 lb)	3950 kg (8708 lb)
Intermediate layer	3209 kg (7075 lb)	6417 kg (14,147 lb)	3546 kg (7817 lb)
Top layer	2778 kg (6124 lb)	5554 kg (12,244 lb)	3143 kg (6929 lb)

Maximum permissible line pull	7280 kg (16,050 lb)	3950 kg (8708 lb)
--------------------------------------	---------------------	-------------------

Maximum rope stowage	260 m x 19 mm (55 ft x 3/4 in)	120 m x 16 mm (394 ft x 5/8 in)
-----------------------------	--------------------------------	---------------------------------

Standard rope supplied	180 m x 19 mm (591 ft x 3/4 in)	120 m x 16 mm (394 ft x 5/8 in)
-------------------------------	---------------------------------	---------------------------------

*Indicates optional item.

Carrier specifications

Frame	High-strength steel, all-welded triple-box design with integral outrigger housings. Incorporating front and rear towing brackets.
Outrigger system	Hydraulic front and rear, double-box with two-stage telescoping beams, vertical jacks with integral holding valves. Quick-release outrigger floats 775 mm (30½ in) diameter.
Front stabilizer	Fifth vertical stabilizer with removable steel fabricated float. Permits full 360° lifting.
Outrigger controls	Situated in superstructure cab and on both sides of the carrier frame. Push-button electric controls requiring two-handed operation. Site level bubble located adjacent to each set of controls.
Engine	Deutz F10L413F, ten-cylinder, naturally-aspirated air-cooled diesel. 16 litres; 216 kw (290 bhp) at 2500 rpm; maximum torque 950 Nm (700 lb ft) at 1500 rpm.
Optional *engine	Cummins LTA 10, six-cylinder, turbocharged, water-cooled diesel. 10 litres; 216 kw (290 bhp) at 2200 rpm; maximum torque 1139 Nm (840 lb ft) at 1300 rpm.
Fuel tank capacity	418 litres (110 US gallons).
Electrical system	24 v (including starting).
Drive	8 x 6.
Steering	Semi-integral type, power assisted. Transmission-driven emergency power steering.
Transmission	13 forward, 3 reverse speeds.
Transfer box	Air disconnect to front axle.
Axles	1: Drive-steer 2: Steer 3: Rigid through-drive with lockable interaxle differential. 4: Rigid drive All drive axles are of planetary reduction type.

Suspension	Front: multi-leaf spring. Rear: leaf spring over equaliser beam.
Brakes	Dual-line air system operating on all wheels. Spring-applied air-released park brake acting on axles two, three and four. Engine exhaust brake.
Tyres	14.00 x 20 highway radials all round. Optional *14.00 x 20 on-off highway radials. Tyre inflation equipment. Spare wheel and handling device.
Lights	Full lighting including head, tail, braking, reverse, fog, directional and hazard warning lights.
Cab	Full width type with safety glass, two-man design, left-hand drive, windscreen washers and wipers, heater and demister, dual mirrors, full instrumentation and travel controls, deluxe acoustic trim.
Maximum speed	65 kph (40 mph).
Gross vehicle weight and axle loads	Axle 1: 10,150 kg (22,375 lb) Axle 2: 10,150 kg (22,375 lb) Axle 3: 10,850 kg (23,920 lb) Axle 4: 10,850 kg (23,920 lb) GVW: 42,000 kg (92,590 lb) Above weights for TM750E to standard specification plus maximum hookblock.
Optional *equipment	Superstructure * Spotlights * Rotating beacon * Hookblocks * Auxiliary hoist Carrier * Rotating beacon

*Indicates optional item.