

# AC46-312 Articulating Crane

## Specifications

Number of Extensions	2-Hydraulic	3-Hydraulic	4-Hydraulic	5-Hydraulic
Crane Rating*	312,500 ft-lbs (43.2 tm)	312,500 ft-lbs (43.2 tm)	312,500 ft-lbs (43.2 tm)	312,500 ft-lbs (43.2 tm)
Max. Horizontal Reach	26'1" (7.95 m)	32'10" (10 m)	39'5" (12 m)	46'3" (14.1 m)
Max Vertical Reach Hydraulic	39'5" (12 m)	46'3" (14.1 m)	52'10" (16.1 m)	59'9" (18.2 m)
Max. Capacity	22,000 lb (10000 kg)	21,000 lb (9560 kg)	20,200 lb (9180 kg)	19,800 lb (9000 m)
Max Capacity @ Max Reach	12,000 lb (5450 kg)	9,100 lb (4140 kg)	7,080 lb (3220 kg)	5,570 lb (2530 kg)
Crane Weight**	10,000 lb (4540 kg)	10,540 lb (4790 kg)	11,150 lb (5070 kg)	4,700 lb (5310 kg)
Number of Extensions	6-Hydraulic	7-Hydraulic	8-Hydraulic	
Crane Rating*	312,500 ft-lbs (43.2 tm)	312,500 ft-lbs (43.2 tm)	312,500 ft-lbs (43.2 tm)	
Max. Horizontal Reach	53'2" (16.2 m)	60'5" (18.4 m)	67'7" (20.6 m)	
Max Vertical Reach Hydraulic	66'7" (20.3 m)	73'10" (22.5 m)	81' (24.7 m)	
Max. Capacity	19,140 lb (8700 kg)	18,800 lb (8530 kg)	18,040 lb (8,200 kg)	
Max Capacity @ Max Reach	4,433 lb (2015 kg)	3,500 lb (1590 kg)	2,750 lb (1250 kg)	
Crane Weight**	12,122 lb (5510 kg)	12,540 lb (5700 kg)	13,000 lb (5880 kg)	

\*Crane rating (ft-lb) is the rated load (lb) x the respective distance (ft) from centerline of rotation with all extensions retracted and the inner and outer booms in a horizontal position, per ANSI B30.22.

\*\*Crane weight does not include outrigger

## Specifications

Outrigger Foot Diameter	9.45" (240 mm)	Optimum Pump Capacity	21 GPM (80 L/min)
Crane Storage Height	96.85" (2460 mm)	System Pressure	4424 PSI (305 BAR)
Mounting Space***	50.2" (1275 mm)	Outrigger Extension Span	
Rotational Torque	5163 ft-lb (7000 daNm)	Standard (manual out, hydraulic down)	16'7" (5.05 m)
Rotation	400°		
Oil Reserve Capacity	55.5 gallons (210 L)		

\*\*\*Allow an additional 10" between the cab and crane base for swing clearance.

## Minimum Chassis Specifications

Gross Vehicle Weight Rating (GVWR)	57,304 lb
Resistance to Bending Moment (RBM)	2,447,025 in-lb

## Notes

A. Weight distribution calculations are required to determine final axle loading. The use of service bodies, diesel engines, or longer wheelbase, can increase the minimum chassis requirements. Please contact Auto Crane for details.

B. GAWR (Gross Axle Weight Rating) is the total weight of the vehicle including the (chassis, driveline, occupants, cargo, etc.) that is allowed by the manufacturer requirements, for the vehicle to go down the road safely. This is a critical factor in purchasing a truck for the crane application. All chassis and



4707 N. Mingo Road  
Tulsa, OK 74117  
918-836-0463  
www.autocrane.com

AC46-312

# AC46-312 Articulating Crane

## System Characteristics

### Rotation System

Our Articulating Cranes utilize a rack and pinion rotation system which provides high torque for demanding applications. The column turns on bushings made of an advanced composite material for long service life. The rotation cylinders are protected by a load holding valve and flow controls to ensure safe and precise operation.

### Cylinder Holding Valves

Flanged load holding valves on hydraulic cylinders provide smooth load control and load holding. In the event of a hose failure, they lock the cylinder in place to prevent uncontrolled crane movement or falling loads.

### Hydraulic Overload System

Providing the Hydraulic Overload protection are main relief and port relief valves, as well as counterbalance valves.

### Hydraulic System

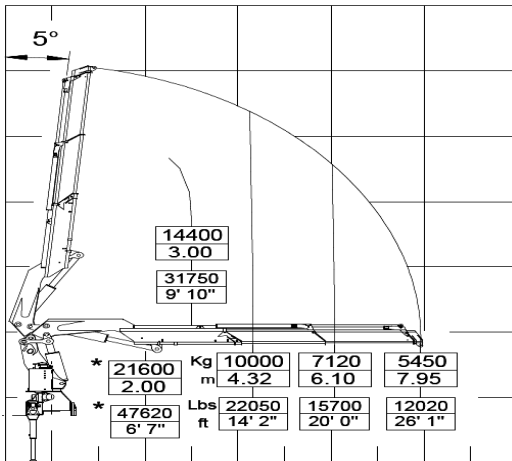
The hydraulic system is open-center as standard. Included on the crane is a hydraulic oil reservoir, return line filter, high-pressure filter(1), and control valve with dual-side controls(2). An optional closed-center valve is available on request.

### Exceptions

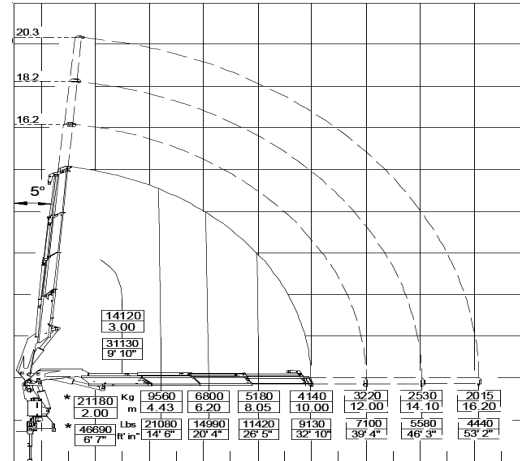
- (1) Cranes with manual controls do not have high pressure filter
- (2) Cranes with radio controls do not have dual-side controls

## Capacity Charts

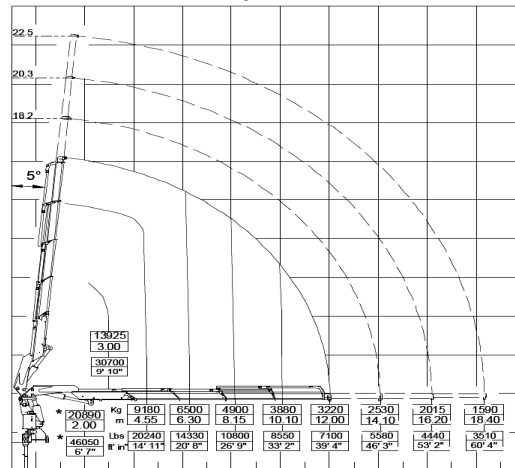
AC46-312 2 Hydraulic Extensions



AC46-312 3 Hydraulic Extensions



AC46-312 4 Hydraulic Extensions



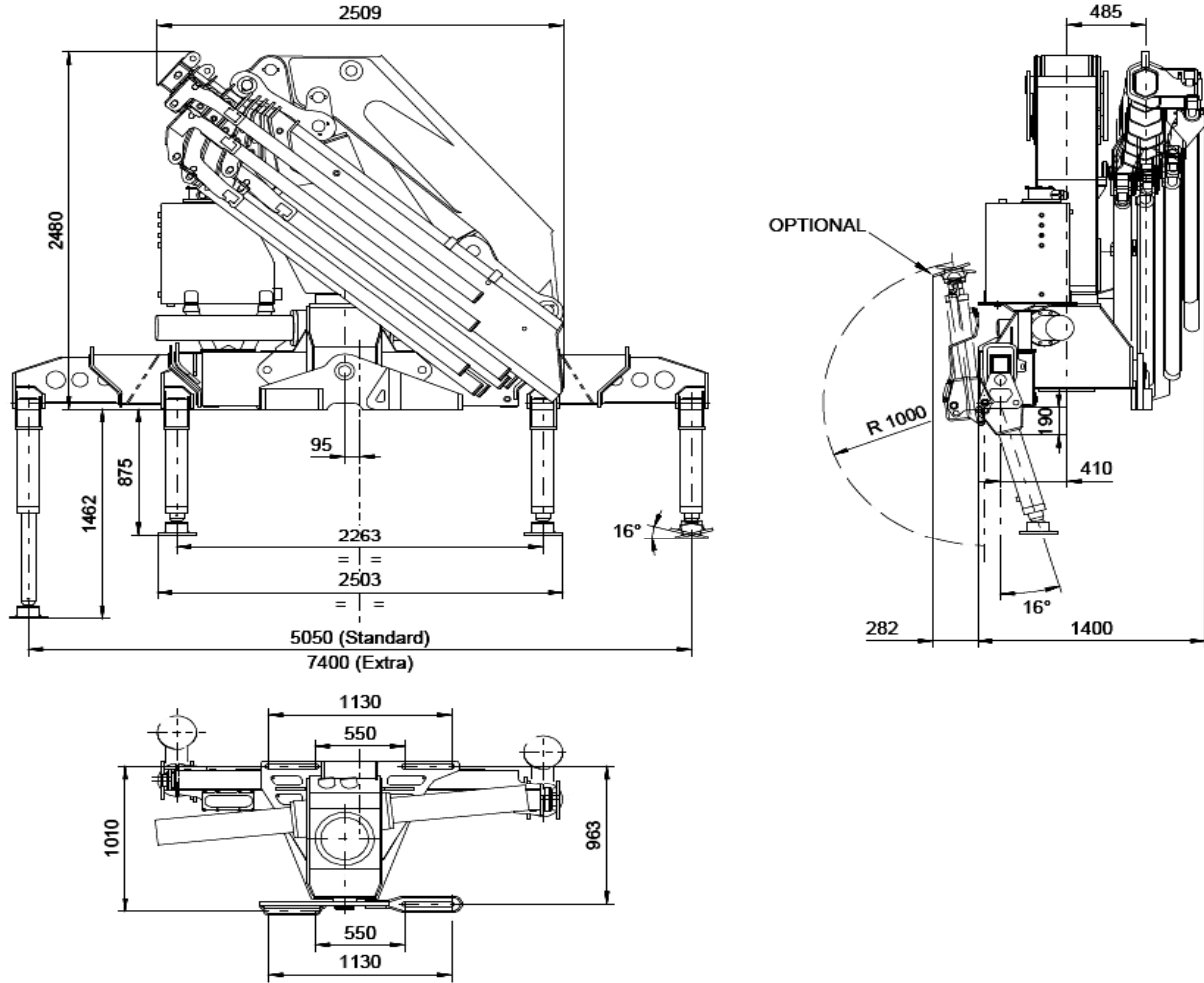
4707 N. Mingo Road  
Tulsa, OK 74117  
918-836-0463  
www.autocrane.com



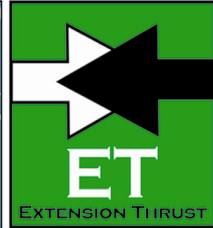
# AC46-312 Articulating Crane

## Geometric Configurations (Dimensions)

AC46-312 8 Hydraulic Extensions (mm)



## Special Features (on select models)



4707 N. Mingo Road  
Tulsa, OK 74117  
918-836-0463  
www.autocrane.com