

FASTER & FURTHER

Since 1959



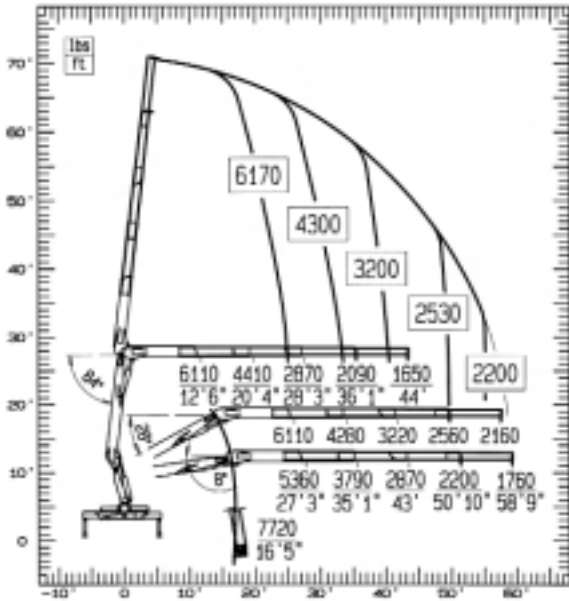
*Cranes, in all the languages of the world*

# Wall-Board Serie 44' - 52' - 60'

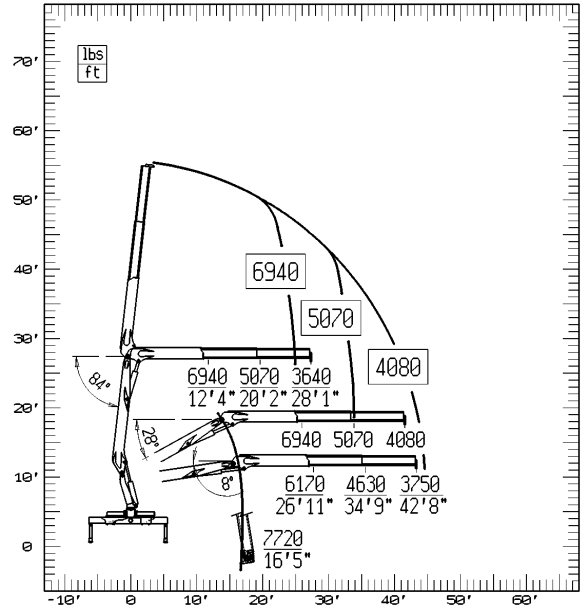


LA FORZA DELLA QUALITÀ THE POWER OF QUALITY  
LA FORCE DE LA QUALITE DIE KRAFT DER QUALITÄT LA FUERZA DE LA CALIDAD

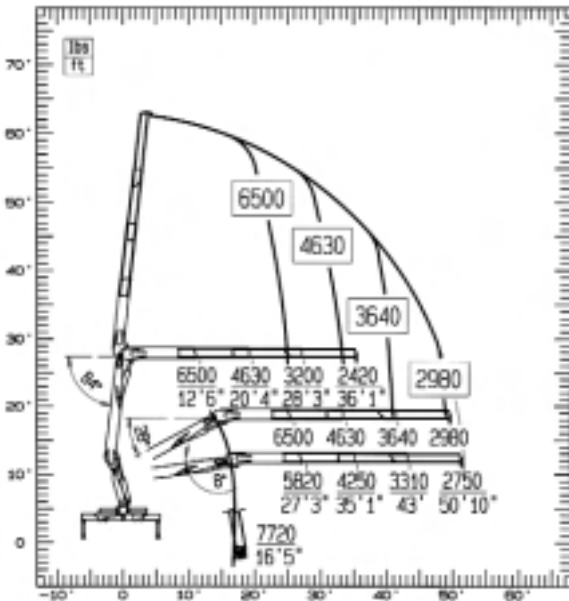
WB 60'



WB 44'



WB 52'



## WORKING TIMES

		WB 44'	WB 52'	WB 60'
Extension time (15'9")	sec.	14	--	--
Retraction time (15'9")	sec.	14	--	--
Extension time (23'7")	sec.	--	22	--
Retraction time (23'7")	sec.	--	21	--
Extension time (31'6")	sec.	--	--	30
Retraction time (31'6")	sec.	--	--	28
Rotation 360°	sec.	30-60	30-60	30-60
Inner Boom elev. time	sec.	33	33	33
Outer Boom elev. time	sec.	40	40	40

THE WEIGHT OF WALLBOARD FORK AND ROTATOR MUST BE DEDUCTED FROM LIFTING CHART

## INSTALLATION

**MINIMUM CARRIER** Tandem axle frame  
 RBM 2,5 million (per rail) WB  
 FA 12,000 lbs RA 34,000 lbs GVW 46,000 lbs

**RECOMMENDED CARRIER** Tandem axle frame  
 RBM 2,5 million (per rail) WB  
 FA 16,000 lbs RA 40,000 lbs

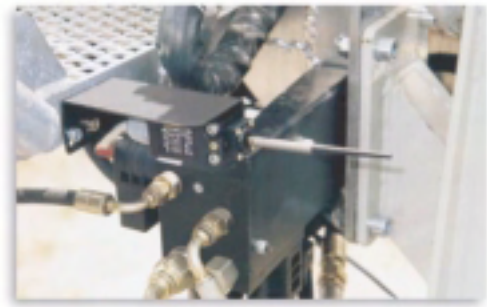






**CONTROL STATION**

The control station of the standard crane is fitted with joysticks and pedals, load indicator, PM moment control device, emergency button, platform and two ladders for access. The control valve block and its protection guard are located under the seat and guarantee excellent visibility. The controls are in easily accessible and comfortable positions.



**BEEPER**

The microswitch activates a beeper to warn the operator that crane is operating below its horizontal, thus preventing the load or equipment from getting damaged.



**RADIO CONTROL**

The WB Series is available in the fully proportional remote control version without the top seat. The WB Series features a radio control that optimises performance, reduces working time and maintains the same uses of the top control station.



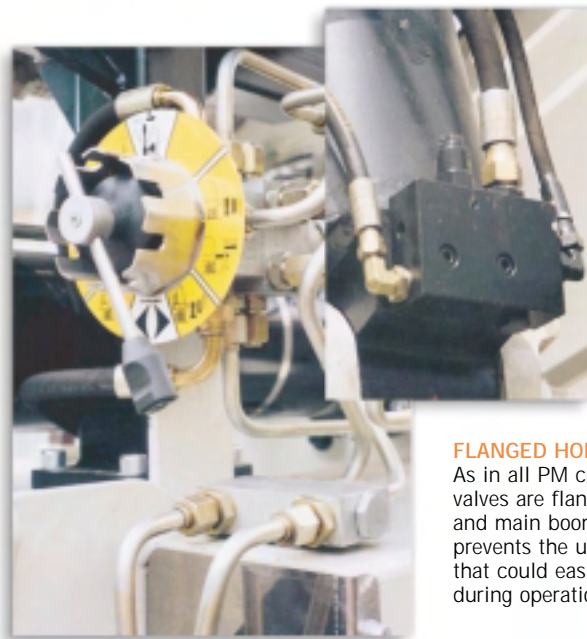
**CONTROL STATION**

The top control station of the WB Series is positioned level with the main boom, in order not to interfere with the load as it is being handled. The tip-over seat can be moved forwards or back-ward to obtain the most comfortable control position.



**DOUBLE-ACTING CHECK VALVE**

The check valves for the down movement out of outrigger cylinders are double-acting type. They have a very low stabilising time, as it is no longer necessary to act on the valve closing lever.



**FLOW DIVIDER**

The out & down control of the outriggers is of the standard PM type and features an 8-position flow divider that enables the down movement of the out-riggers even on one side of the equipment only. The double-acting valves are also fitted on the lateral hydraulic extension (22'1" in XL version).

**FLANGED HOLDING VALVES**

As in all PM cranes the check valves are flanged to the column and main boom cylinder; this prevents the use of external pipes that could easily get damaged during operation.



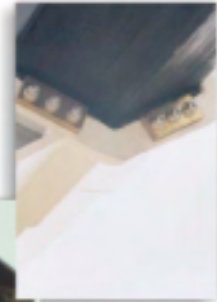
#### OUTER BOOM CYLINDER GUARD

A high resistance guard protects outer boom cyl from getting accidentally damaged by the load or by the straps. The extension cylinder pins are easy to access.



#### MECHANICAL STOP

The mechanical locking system between the main boom and boom unit prevents particular set-ups of the crane, that do not depend on normal use or that concern transport, from damaging the main boom cylinder.



#### BOTTOM WEAR PADS

The bottom wear pad fixing system guarantees easy control and replacing.



#### ACTIVATION TERMINALS

The terminals of the activations are vertical to eliminate the presence of bends in the pipes connected to the Fork & rotator. The round pads for side clearance adjustments are located above the boom and feature a mechanical safety device.



CATTRACKS

BULK HEAD FITTINGS

#### SUPPLEMENTARY ACTIVATIONS

The activations for rotator and forks are protected by high resistance ducts. The pipes are protected by sheaths to guarantee the maximum reliability.

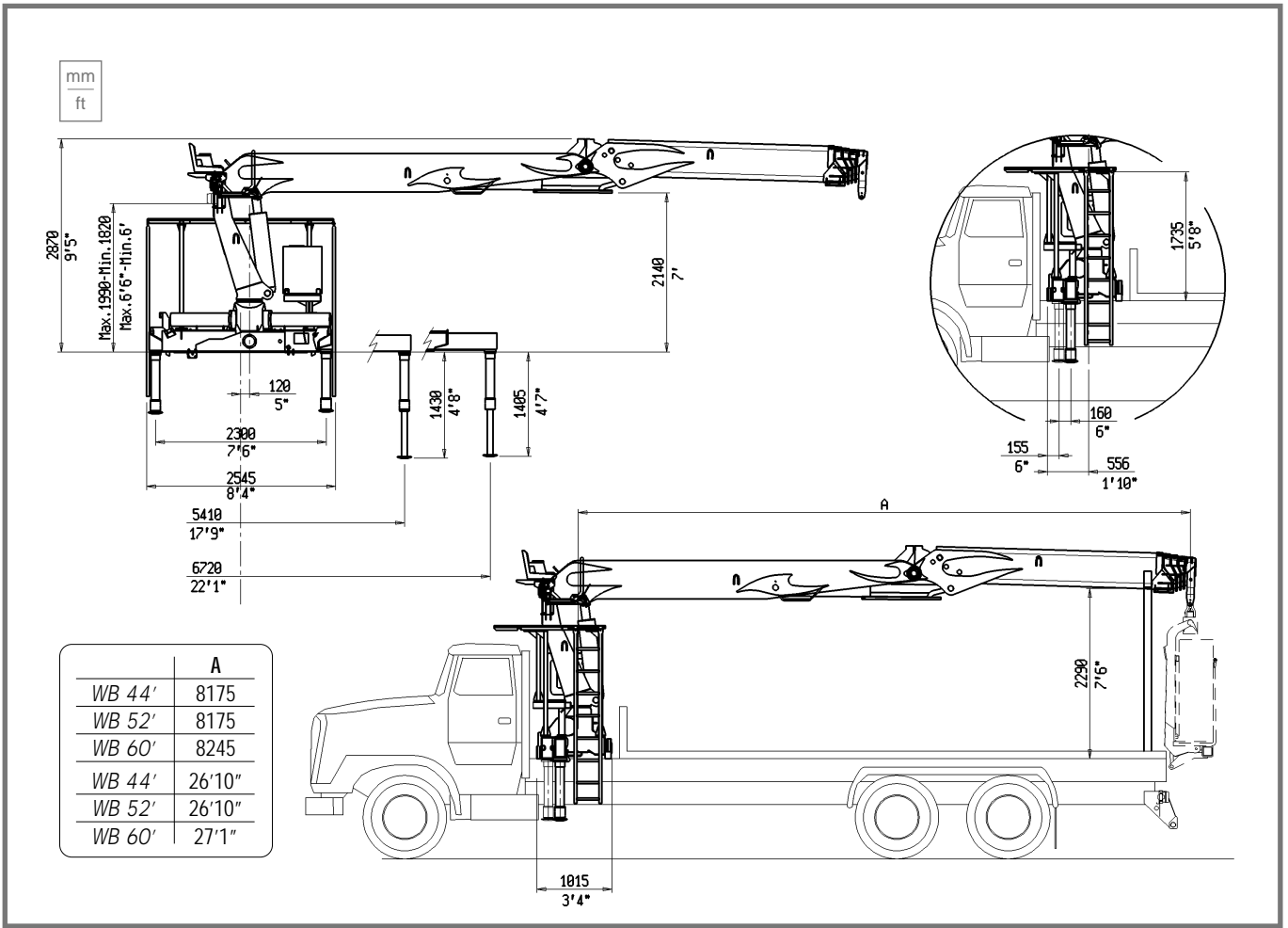


Visibility from control position; the activations are on the same side of the control station to enable every movement to be kept under control; the metal pipes have a larger diameter to considerably increase hydraulic extension speed and prevent the oil from overheating.

#### INTERNAL CYLINDERS

To offer improved protection, the boom extension cylinders are fully enclosed within the boom unit. Easy maintenance: all cylinders can be removed by taking off the hinge pins.





**TECHNICAL DATA**

		WB 44'	WB 52'	WB 60'
<b>MAXIMUM LIFTING MOMENT -</b>	ft lbs	172900 (24'11" · 6940lbs)	162000 (24'11" · 6500lbs)	151900 (24'11" · 6110lbs)
<b>MAXIMUM HYDRAULIC REACH</b>				
HORIZONTAL -	ft	43'	51'2"	59'1"
VERTICAL -	ft	54'11"	61'4"	69'3"
<b>HYDRAULIC SYSTEM</b>				
RECOMMENDED OIL FLOW -	gals/min (USA)	12+12	12+12	12+12
RATED PRESSURE -	psi	3555	3555	3555
TANK CAPACITY -	gals (USA)	53	53	53
<b>SLEWING SYSTEM</b>				
SLEWING ANGLE -	°	408	408	408
SLEWING MOMENT -	ft lbs	32550	32550	32550
MAX. WORKING HEEL -	% (°)	8,7(5)	8,7(5)	8,7(5)
STANDARD CRANE WEIGHT WITH NON FULL TANK* -	lbs	9150	9660	10185
WEIGHT OF RUNNING BOARD -	lbs	440	440	440
WEIGHT OF ANCHORAGE -	lbs	145	145	145
WEIGHT OF OIL TANK REFUELING -	lbs	350	350	350
MAXIMUM POWER ABSORBED BY THE HYDRAULIC PUMP -	HP	49	49	49

\*WITH OUTRIGGERS XL AND 1°+2° ACTIVATIONS





*CRANES, IN ALL THE LANGUAGES OF THE WORLD*

ARGENTINA  
AUSTRALIA  
BELGIUM  
BRAZIL  
CANADA  
CHILE  
COLOMBIA  
CZECH REP  
CYPRUS  
DENMARK  
EGYPT  
EAST/NORTH EUROPE  
EIRE  
FINLAND  
FRANCE  
GERMANY  
GREECE  
HOLLAND  
HONG KONG  
INDONESIA  
**ITALY**  
JORDAN  
MALAYSIA  
MOROCCO  
NORWAY  
OCEANIA  
NETHERLANDS  
PERU  
PHILIPPINES  
POLAND  
PORTUGAL  
P.R.C.  
QUATAR  
ROMANIA  
SAUDI ARABIA  
SINGAPORE  
SPAIN  
SOUTH AFRICA  
SOUTH AMERICA  
SWITZERLAND  
THAILAND  
TAIWAN  
TOBAGO  
TRINIDAD  
TUNISIA  
TURKEY  
UNITED ARAB EMIRATES  
USA  
UK  
VENEZUELA  
VIETNAM



Autogru PM spa - via Emilia Est, 1058 - 41100 Modena MO (ITALY)  
Tel. +39 059 20.54.711 - Fax +39 059 28.07.47 - Export Fax +39 059 28.25.05  
e-mail: [autogrupm@autogrupm.com](mailto:autogrupm@autogrupm.com) [www.autogrupm.com](http://www.autogrupm.com)