

# DYNALIFT®

## TELESCOPING-BOOM FORKLIFTS



**GEHL**

## LIFTING HIGH AND MIGHTY WITH DYNALINE®

Gehl's Dynaline® of rough terrain telescoping-boom forklifts has the strength, lift height, versatility and performance features you're looking for. And with five powerful models with lift capacities up to 10,000 pounds, Gehl has the right machine to meet your needs.

Industry-leading performance and operator convenience features give you the productivity and efficiency you need to perform a variety of on-the-job tasks. Some of these high-performance features include:

**Low profile design** – At 7'8", a Gehl Dynalift® easily fits under a standard 8" doorway.

**Tight turning radius** – A tight 13'8" turning radius on the 663 and 883 allows you to maneuver your Dynalift in extremely tight locations.

**Center-mounted engine and open rear upright boom mounts** – Unobstructed 360° visibility increases production and safety on the job site.

**Hydraulic frame leveling** – Frame tilts 10° left or right for improved stability on steep or uneven terrain.

**Dash-mounted steering control** – 4-wheel, 2-wheel or 4-wheel crab-type steering to fit your specific need.

**Optional Auto-Troll™** – Placing loads while on uneven terrain is easier with Gehl's exclusive Auto-Troll which establishes and moves forks on a true horizontal line, keeping the load level at all times.

**Dynattach®** – Gehl's patented quick attaching tool system allows you to change attachments in minutes without tools.



# DYNALIFT® ATTACHMENTS FIT YOUR NEEDS



## • Truss Boom

The truss boom extends the Dynalift's forward reach for placing roof trusses on third story frame structures. *The truss boom should not be used for transporting material around the job site.*



## • Masonry Carriage

The masonry carriage is designed for the efficient handling and placement of block and other materials.



## • Framers' Carriage

The framer's style carriage offers a reinforced open grill for maximum visibility and strength.



## • Rotating Carriage

The rotating carriage is ideal for use in stacking scaffolding, unloading trucks and placing long beams. It allows the operator to match the carriage side tilt to the angle of the unloading surface while maintaining a level machine stance.



## • Swing Carriage

The swing carriage will swing 45° from side to side for simplified load placement. Available for the 883 and 1083 and requires outriggers.



## • Hydraulic Winch

The optional hydraulic winch offers the added versatility of a light duty crane for placing bulky, awkward or long loads from a single point. *The winch should not be used for transporting material around the job site.*

## ADDITIONAL OPTIONS

- Outriggers • Buckets
- Block forks • Pallet forks
  - Fully tapered forks
- All weather cab • Lights
  - Three tire options
- Cold start kit • Clutch cut-out
  - 6' mast • Special paint
  - Tire options

# AUTO-TROLL™ KEEPS YOUR LOAD LEVEL



Placing loads while on uneven terrain is easier with the exclusive, automatic Auto-Troll™ system.

Auto-Troll establishes and moves forks on a true horizontal line, automatically compensating for machine slope. Fork height, terrain slope and boom angle are instantly calculated by merely pressing a thumb switch on the "joystick" boom control. There's no guesswork involved. Auto-Troll works only when you want it; the Dynalift performs as a standard unit at all other times.

For working around scaffolding, setting bricks, spotting beams or picking up material from platforms, the Gehl Auto-Troll system makes even the best operator better.



## • DYNATTACH® FOR EFFICIENT ATTACHMENT CHANGE

Increase your productivity with the standard Dynattach® quick attachment change system. Any of the optional carriage attachments can be removed or replaced in minutes without the use of tools.

The Dynattach locking design automatically secures the attachment to the boom end. You only need to leave the seat to hook up hydraulic couplers on powered attachments.

# DYNALIFT® FEATURES BOOST YOUR PRODUCTION



- **Low Profile Design**

An overall height of only 7'8" allows you to easily maneuver under a standard 8' door.



- **Tight Turning Radius**

Dynalift's tight 13'8" turning radius (663 and 883 models) allows you to maneuver in the tightest working quarters.



- **Open Uprights and Mid-mounted Engine**

Unobstructed 360° view gives you the confidence to maneuver in the tightest working conditions.

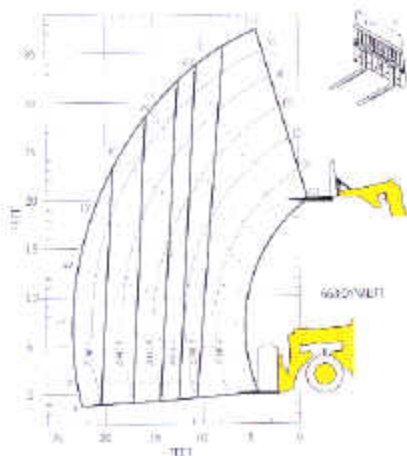


- **Hydraulic Frame Leveling**

This feature keeps the frame level for safe load placement on steep or uneven terrain.

# 663

The 663 continues to keep pace with today's busy contractor as the Gehl Dynalift versatility leader. The 663 has the muscle it takes to set 6000 pound loads at its full height of 37'6" and the forward reach to pick and place 1500 pound loads 23'4" in front of the tires.



MAXIMUM LIFT CAPACITY	
TYPE	
A	6000 LBS
B	5000 LBS
C	4000 LBS
D	3000 LBS
E	2000 LBS
F	1500 LBS

**663 DYNALIFT**  
(48"/66" Carriage)  
**LOAD CHART**



# 552/553

The Gehl 552/553 Dynalifts have the toughness, versatility and performance features you need to get the job done. These state-of-the-art workhorses feature lift heights of 25'5" for the 552 and 34'3" for the 553. Capacity for the 552 is 5500 lb. while the 553 capacity is 6000 lb.

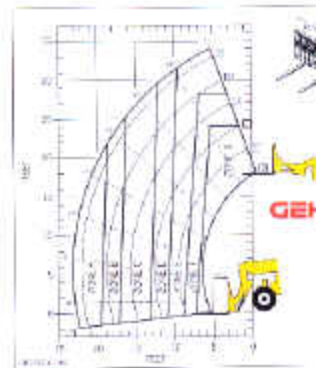
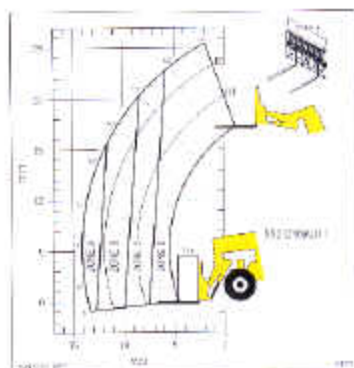
## LOAD CHARTS

MAXIMUM LIFT CAPACITY	
TYPE	
A	2500 LBS
B	3000 LBS
C	4000 LBS
D	5500 LBS

552

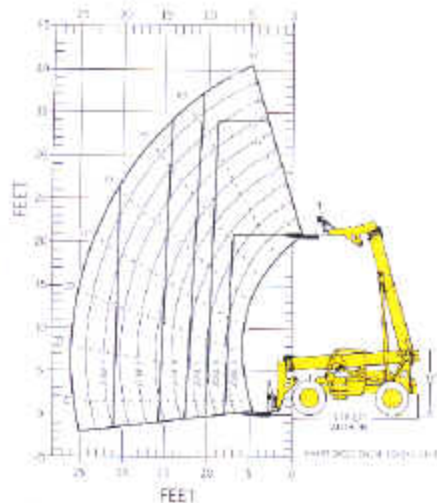
MAXIMUM LIFT CAPACITY	
TYPE	
A	1000 LBS
B	1500 LBS
C	2000 LBS
D	3000 LBS
E	4000 LBS
F	5000 LBS
G	6000 LBS

553



# 1083

The powerhouse of the Gehl Dynalift – this 10,000 pound maximum capacity unit will lift 7000 pounds up to 40'. The economical 1083 works great for steel erection or heavy-duty framing applications; it's the perfect machine for those extra capacity jobs.



LIFT HEIGHT (FEET)	MAXIMUM CAPACITY (LBS)	
	EXTEND	RETRACT
40	7000 LB	10,000 LB
35	6000 LB	8000 LB
30	5000 LB	6000 LB
25	4000 LB	4000 LB
20	3000 LB	4000 LB
15	2000 LB	3250 LB
10	1500 LB	1500 LB
5	1000 LB	1000 LB

### 1083 DYNALIFT (48"/66" Carriage) LOAD CHART

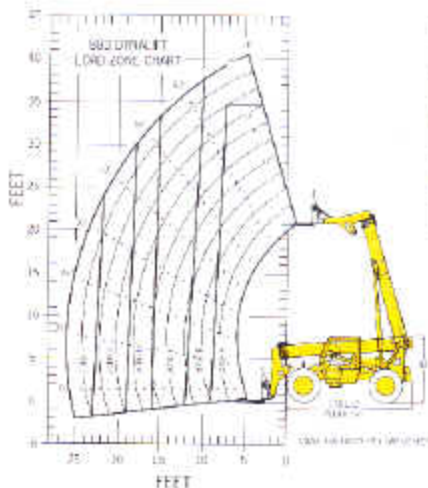
Hydro-fill is required in all tires for proper stability and lift capacity.



# 883



This 8000 pound maximum capacity unit will lift 6000 pound loads up to 40'. Add a maximum forward reach of 26' with 1500 pound capacity and you can place loads over obstructions or onto buildings where hand labor was previously required.



LIFT HEIGHT (FEET)	MAXIMUM CAPACITY (LBS)	
	EXTEND	RETRACT
40	4000 LB	6000 LB
35	3000 LB	4000 LB
30	2000 LB	3750 LB
25	1500 LB	3000 LB
20	1000 LB	2000 LB
15	750 LB	1500 LB
10	500 LB	1000 LB
5	300 LB	750 LB

### 883 DYNALIFT (48"/66" Carriage) LOAD CHART

## SPECIFICATIONS

	1083	883	663	553	552
<b>CAPACITY</b>					
Max. Lift Capacity	10,000 lbs./4535 kg.	8000 lbs./3628 kg.	6000 lbs./2724 kg.	6000 lbs./2724 kg.	5500 lbs./2497 kg.
Max. Lift Height	40'/12.2m	40'/12.2m	37'6"/11.4m	34'3"/10.4m	25'5"/7.8m
Max. Capacity at Max. Lift	7000 lbs./3178 kg.	6000 lbs./2724 kg.	6000 lbs./2724 kg.	4000 lbs./1816 kg.	5500 lbs./2497 kg.
Max. Forward Reach	26'/7.9m	26'/7.9m	23'4"/7.1m	23'3"/7m	14'/4.3m
Max. Capacity at Max. Reach	2000 lbs./908 kg.	1500 lbs./681 kg.	1500 lbs./681 kg.	1000 lbs./454 kg.	2500 lbs./1135 kg.
Max. Reach Below Grade	2'6"/.76m	2'6"/.76m	2'/.61m	2'/.61m	1'/.30m
<b>ENGINE</b>					
Engine HP	110	110	80/110	80	80
Engine Options	John Deere 4039T Perkins 1004-4T	John Deere 4039T Perkins 1004-4T	John Deere 4039/4039T Perkins 1004-4/1004-4T	John Deere 4039 Perkins 1004-4	John Deere 4039 Perkins 1004-4
<b>COMPONENTS</b>					
Transmission	3 Speed Power Shift	3 Speed Power Shift	3 Speed Power Shift	3 Speed Power Shift	3 Speed Power Shift
Drive - Full Time	4-Wheel	4-Wheel	4-Wheel	4-Wheel	4-Wheel
Steering	4-Wheel	4-Wheel	4-Wheel	4-Wheel	4-Wheel
	2-Wheel	2-Wheel	2-Wheel	2-Wheel	2-Wheel
	4 Crab	4 Crab	4 Crab	4 Crab	4 Crab
Brakes	4-Wheel Disc	4-Wheel Disc	4-Wheel Disc	4-Wheel Multi-Disc	4-Wheel Multi-Disc
<b>DIMENSIONS</b>					
Approx. Wt. (x1000)	27.2 lbs./12.35 kg.*	23 lbs./10.44 kg.	20.5 lbs./11.35 kg.	15.1 lbs./6.85 kg.	13.8 lbs./6.26 kg.
Length (less forks)	216"/5.5m	216"/5.5m	208"/5.3m	192"/4.9m	185"/4.7m
Width	8'/2.4m	8'/2.4m	8'/2.4m	94"/2.4m	94"/2.4m
Overall Height	92"/2.3m	92"/2.3m	92"/2.3m	93"/2.3m	93"/2.4m
Ground Clearance	16"/.40m	16"/.40m	16"/.40m	14"/.35m	14"/.35m
Wheel Base	118"/3.0m	118"/3.0m	118"/3.0m	110"/2.8m	110"/2.8m
Turning Radius	185"/4.7m	164"/4.2m	164"/4.2m	150"/3.8m	150"/3.8m
<b>SPECIAL FEATURES</b>					
Auto-Troll™	Optional	Optional	Optional	-	-
Dynattach®	Std.	Std.	Std.	Std.	Std.
Frame Levelling	Std.	Std.	Std.	Std.	Std.

\*With hydrofill

### SEE YOUR GEHL DEALER

- SAFETY IS NO ACCIDENT. Gehl Company reminds you that before operating any piece of equipment, be sure to read and understand the operator's manual. This manual should be kept with the machine at all times. Some photographs used herein may show Doors, Guards, and Shields open or removed for illustration purposes ONLY. BE SURE that all Doors, Guards, and Shields are in their proper operating positions BEFORE starting the equipment to operate the unit. Gehl Company is constantly striving to improve its products and therefore reserves the right to change design, materials and/or specifications without notice without incurring any liabilities on units already sold.

# GEHL