

PK 12502

Performance

PALFINGER



THE PERFECT ALL-ROUNDER CRANE



THE PERFECT INTERPLAY OF TECHNOLOGY, FUNCTION AND DESIGN

The completely enclosed electronics and the internally routed hydraulic hoses guarantee easy maintenance and reliability. This yields high efficiency! The appearance of the *Performance* cranes underlines the new line from PALFINGER: function and design in synergy.



THE PALFINGER ADVANCED PACKAGE OF EXTENDED EQUIPMENT COMES AS STANDARD WITH THIS CRANE

Adjustable slide blocks



Return oil use

By using of the return oil flow in the extension system, the operating speed is increased by 30 per cent.



Internally routed oil ducts

On the multiple extensions there are no hydraulic hoses between the cylinders. The internally routed oil passages make it possible to have a compact boom design.

Extension system

The extension cylinders are guided in Jordal rails over rollers.



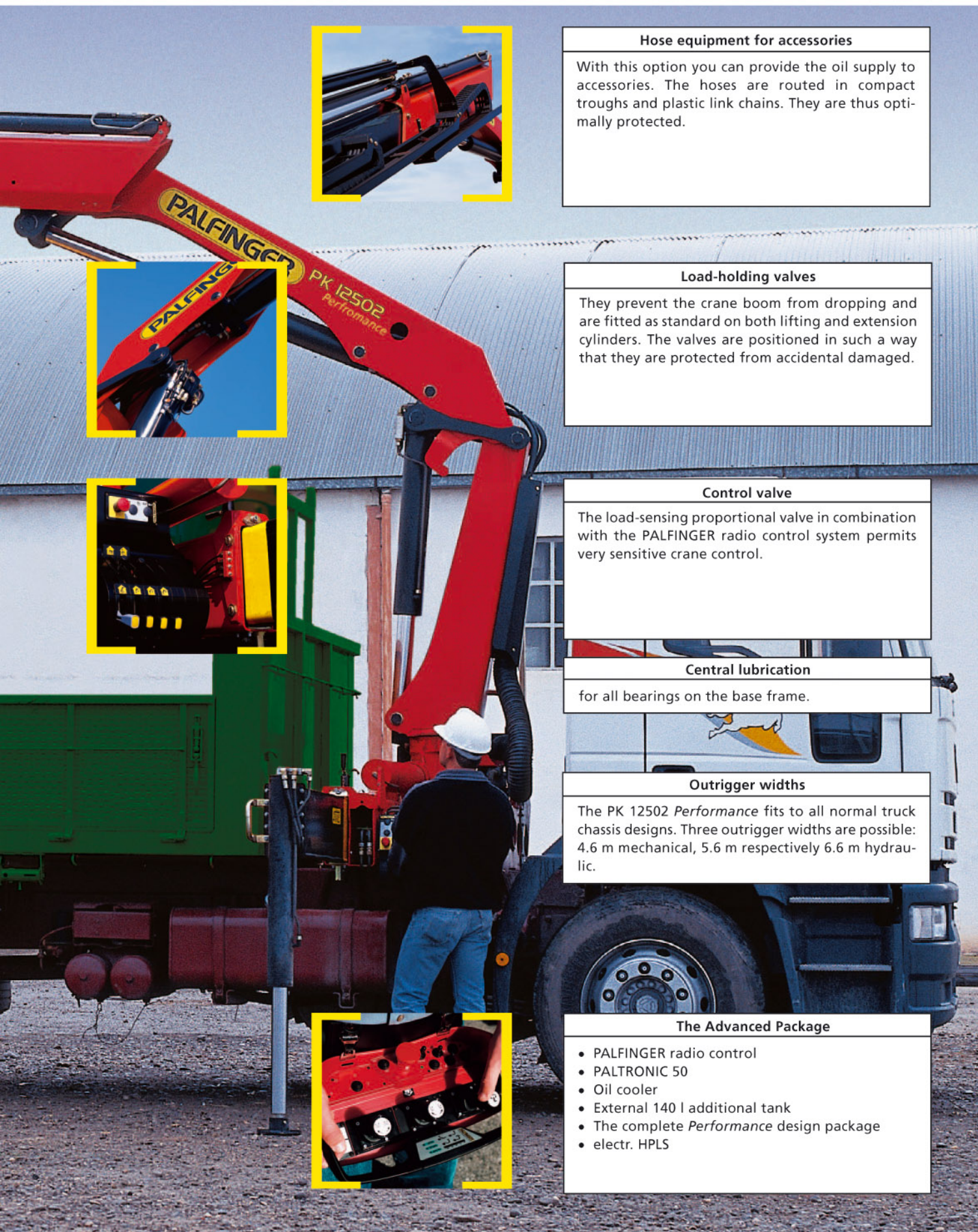
Height compensation

Functional design

- Enclosure of the entire electronic system
- Enclosure in the area of the control valve
- Enclosure of the hoses behind the crane column
- Spiral tube hose between base frame and crane column



THE PK 12502 *PERFORMANCE* IS EQUIPPED WITH THE PROVEN PALFINGER POWER LINK SYSTEM



Hose equipment for accessories

With this option you can provide the oil supply to accessories. The hoses are routed in compact troughs and plastic link chains. They are thus optimally protected.

Load-holding valves

They prevent the crane boom from dropping and are fitted as standard on both lifting and extension cylinders. The valves are positioned in such a way that they are protected from accidental damaged.

Control valve

The load-sensing proportional valve in combination with the PALFINGER radio control system permits very sensitive crane control.

Central lubrication

for all bearings on the base frame.

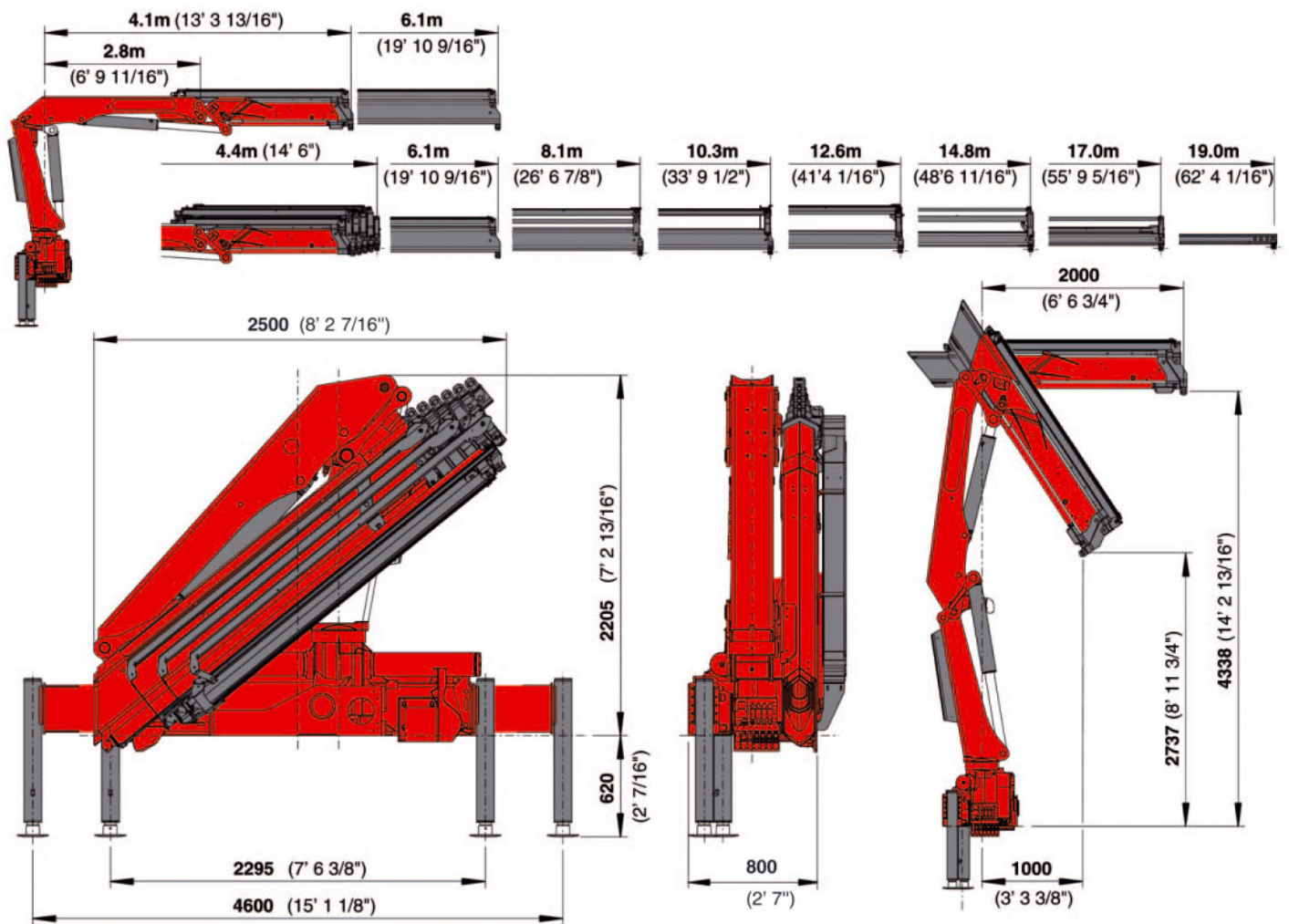
Outrigger widths

The PK 12502 *Performance* fits to all normal truck chassis designs. Three outrigger widths are possible: 4.6 m mechanical, 5.6 m respectively 6.6 m hydraulic.

The Advanced Package

- PALFINGER radio control
- PALTRONIC 50
- Oil cooler
- External 140 l additional tank
- The complete *Performance* design package
- electr. HPLS

THE PK 12502 PERFORMANCE UNDERLINES THE INNOVATIVE PROWESS OF PALFINGER



PK 12502 Performance		
Technical specifications (DIN 15018 H1-B3)		
Max. lifting moment	12.1 mt/119.0 kNm	87740 ft.lbs
Max. lifting capacity	6200 kg/60.8 kN	13670 lbs
Max. hydraulic outreach	17.0 m	55' 9"
Maximum outreach	19.0 m	62' 4"
Slewing angle	420°	

PK 12502 Performance		
Standard crane		
Slewing torque	1.4 mt/17.7 kNm	10100 ft.lbs
Stabilizer spread standard	4.6 m	15' 1"
Stabilizer spread maximum	6.6 m	21' 8"
Fitting space required	0.80 m	2' 7"
Width folded	2.5 m	8' 2"
Operating pressure	330 bar	4785 psi
Recommended pump capacity by radio remote control and LS-System	from 50 l/min. to 70 l/min.	11.0 imp.gal./min. 13.2 US gal./min. 15.4 imp.gal./min. 18.5 US gal./min
Dead weight (without mounting parts, pump and oil)	1581 kg	3490 lbs

Executions shown in the leaflet are not always corresponding to standard execution. Country-specific regulations are to be observed upon attachment.



WELL SUPPORTED BY MORE THAN 1400 PALFINGER CONTRACT PARTNERS WORLDWIDE

Max. lifting capacities

PK 12502 Performance	
hydraulic	
Outreach	Capacity
1.6 m	60.8 kN/6200 kg
4.3 m	27.4 kN/2790 kg
5.9 m	19.9 kN/2030 kg

PK 12502 Performance A	
hydraulic	
Outreach	Capacity
1.8 m	59.8 kN/6100 kg
4.3 m	26.5 kN/2700 kg
5.9 m	18.5 kN/1890 kg
7.9 m	13.7 kN/1400 kg

PK 12502 Performance B	
hydraulic	
Outreach	Capacity
1.8 m	58.9 kN/6000 kg
4.3 m	25.6 kN/2610 kg
5.9 m	17.6 kN/1790 kg
7.9 m	12.7 kN/1290 kg
10.2 m	9.7 kN/ 990 kg

manual	
Outreach	Capacity
12.4 m	7.3 kN/ 740 kg
14.6 m	5.6 kN/ 570 kg
16.8 m	4.4 kN/ 450 kg

PK 12502 Performance C	
hydraulic	
Outreach	Capacity
1.8 m	57.4 kN/5850 kg
4.3 m	24.9 kN/2540 kg
5.9 m	16.8 kN/1710 kg
7.9 m	11.8 kN/1200 kg
10.2 m	8.7 kN/ 890 kg
12.4 m	7.1 kN/ 720 kg

manual	
Outreach	Capacity
14.6 m	5.4 kN/ 550 kg
16.8 m	4.3 kN/ 440 kg
18.8 m	3.5 kN/ 360 kg

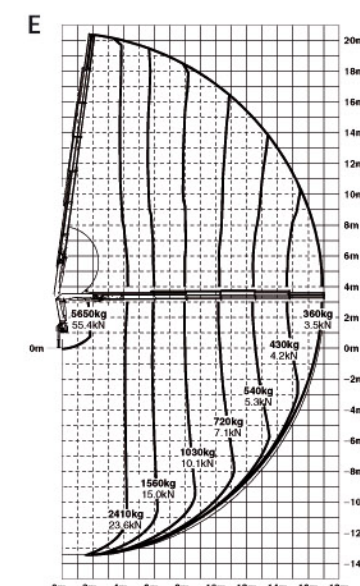
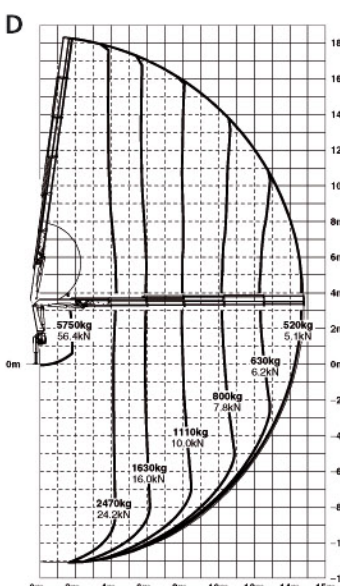
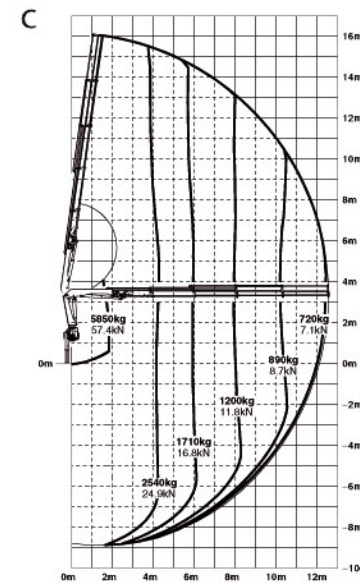
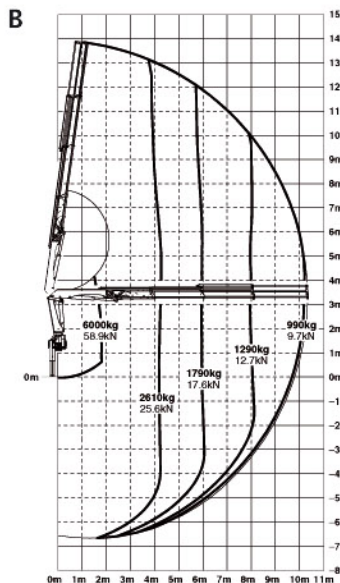
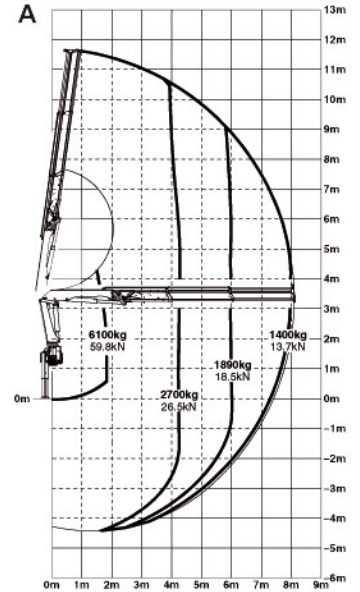
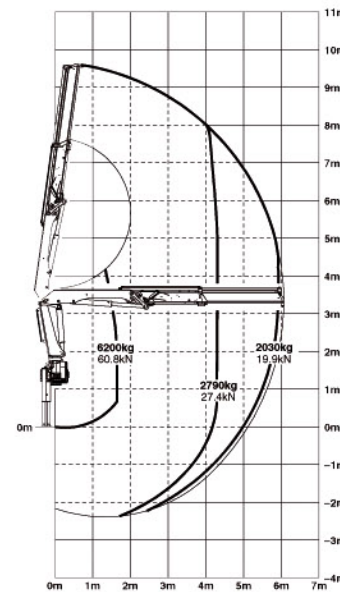
PK 12502 Performance D	
hydraulic	
Outreach	Capacity
1.8 m	56.4 kN/5750 kg
4.3 m	24.2 kN/2470 kg
5.9 m	16.0 kN/1630 kg
7.9 m	10.9 kN/1110 kg
10.2 m	7.8 kN/ 800 kg
12.4 m	6.2 kN/ 630 kg
14.6 m	5.1 kN/ 520 kg

manual	
Outreach	Capacity
16.8 m	4.0 kN/ 410 kg
18.8 m	3.3 kN/ 340 kg

PK 12502 Performance E	
hydraulic	
Outreach	Capacity
1.8 m	55.4 kN/5650 kg
4.3 m	23.6 kN/2410 kg
5.9 m	15.3 kN/1560 kg
7.9 m	10.1 kN/1030 kg
10.2 m	7.1 kN/ 720 kg
12.4 m	5.3 kN/ 540 kg
14.6 m	4.2 kN/ 430 kg
16.9 m	3.5 kN/ 360 kg

manual	
Outreach	Capacity
18.8 m	2.8 kN/ 290 kg

PK 12502 Performance



The reaches are indicated for a 20° main boom position and are therefore not the maximum ones.