

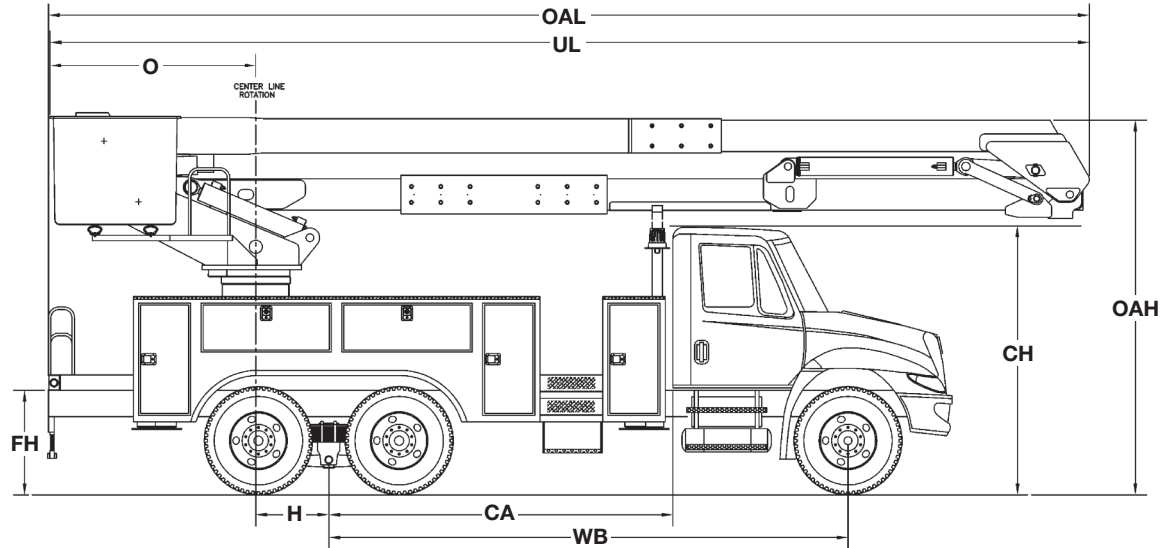


TEREX®

RM SERIES Hi-Ranger Non-Overcenter Material Handling Aerial Device

AERIAL DEVICES

Terex® Hi-Ranger Aerial Devices are known throughout the industry. They come with a long history featuring quality and innovative design.



Measurements	RM60	RM65	RM70	RM75
	ORA	ORA	ORA	ORA
Typical Frame Height (FH)	44 in. (111.8 cm)	44 in. (111.8 cm)	44 in. (111.8 cm)	44 in. (111.8 cm)
Typical Cab Height (CH)	112 in. (284.5 cm)	112 in. (284.5 cm)	112 in. (284.5 cm)	112 in. (284.5 cm)
Offset (O)	79.0 in. (201 cm)	79.0 in. (201 cm)	79.0 in. (201 cm)	79.0 in. (201 cm)
Overall Height (OAH)	12' 3" (3.7 m)	12' 3" (3.7 m)	12' 3" (3.7 m)	12' 3" (3.7 m)
Overall Length (OAL)	30' 9" (9.4 m)	33' 3" (10.1 m)	35' 9" (10.9 m)	38' 3" (11.7 m)
Unit Length (UL)	30' 9" (9.4 m)	33' 3" (10.1 m)	35' 9" (10.9 m)	38' 3" (11.7 m)
Center of Rotation (H)	28" (71.1 cm)	28" (71.1 cm)	28" (71.1 cm)	28" (71.1 cm)
Cab to Axle (CA)	138 in. (350.5 cm)	138 in. (350.5 cm)	156 in. (396.2 cm)	156 in. (396.2 cm)
Wheel Base (WB)	199 in. (505.5 cm)	200 in. (508.0 cm)	223 in. (566.4 cm)	223 in. (566.4 cm)
Front Axle (FA)	14,000 lb. (6,350 kg)	14,000 lb. (6,350 kg)	16,000 lb. (7,258 kg)	16,000 lb. (7,258 kg)
Rear Axle (RA)	21,000 lb. (9,525 kg)	34,000 lb. (15,422 kg)	34,000 lb. (15,422 kg)	34,000 lb. (15,422 kg)
Gross Vehicle Weight Rating	35,000 lb. (15,876 kg)	48,000 lb. (21,772 kg)	50,000 lb. (22,680 kg)	50,000 lb. (22,680 kg)
Recommended Weight for Stability	31,000 lb. (14,061 kg)	31,000 lb. (14,061 kg)	31,000 lb. (14,061 kg)	31,000 lb. (14,061 kg)
Frame Section Modulus	18.0 in ³	18.0 in ³	18.0 in ³	18.0 in ³
Frame Yield Strength	50,000 psi	50,000 psi	50,000 psi	50,000 psi
Frame RBM	900,000 in-lbs	900,000 in-lbs	900,000 in-lbs	900,000 in-lbs



TEREX®

500 Oakwood Drive
PO BOX 1150
Watertown, SD 57201-6150
USA

Phone: (605) 882-4000
Facsimile: (605) 882-1842
www.terexutilities.com
E-mail: utilities.info@terex.com

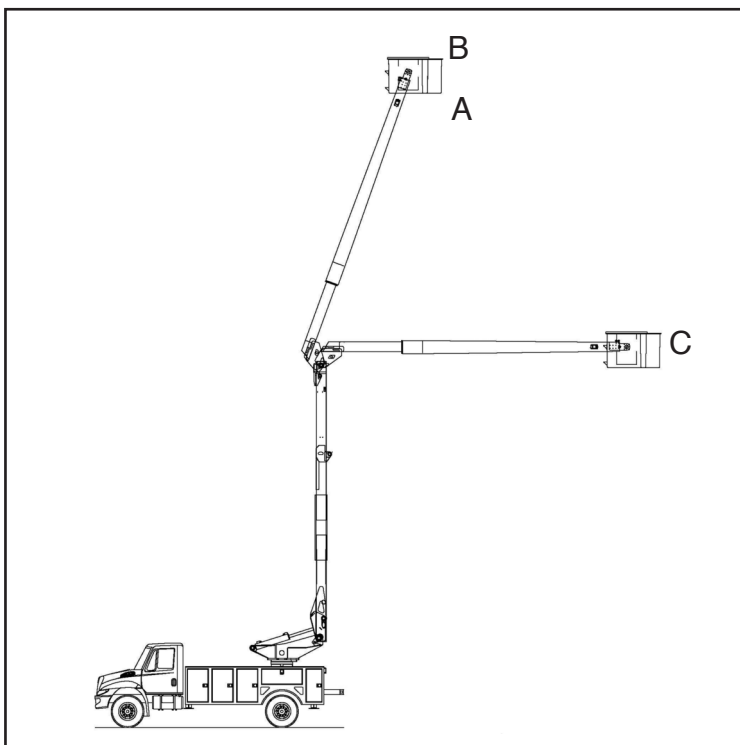
Distributed By:

RM SERIES

Hi-Ranger Non-Overcenter, Material Handling Aerial Device

STANDARD EQUIPMENT

- Side Mount 24 x 48 x42" Two-Person Platform
- Platform Capacity of up to 600 lbs. (272 kg)
- Control-Plus "3-D" Single Stick Control at Platform
- Safety Harness With Attached Lanyard
- Continuous Unrestricted Worm Gear Rotation
- Category "C" Rating Per ANSI A92.2
- Rectangular, Bi-Axial Epoxy Resin, Filament Wound Fiberglass Booms
- Individual Lever Lower Controls
- 165° Of Upper Boom Articulation
- 95° Of Lower Boom Articulation
- Hydraulic Platform Tilt at Upper and Lower Controls
- Hydraulic Lower, Mechanical Upper Platform Leveling System
- Full Pressure, Open-Center Hydraulic System
- Dual Lower and Upper Boom Cylinders
- 35 Gallon Hydraulic Oil Reservoir
- Padded Boom Rests with Upper Boom Tie Down
- Boom Interlock
- Moving Outrigger Alarm
- Truck Level Indicator



CAPACITIES & DIMENSIONAL DATA (Based on a 40 Inch Frame Height)

	A			B	C	C			Non-Overcenter Side Reach
	Bottom of Platform	Bottom of Platform Height for Listed Lift Options				Working Height	Working Height for Listed Lift Options		
		13 ft.	15 ft.	25 ft.		13 ft.	15 ft.	25 ft.	
RM60	61.9 ft. (18.9 m)	73.3 ft. (22.3 m)	75.3 ft. (23.0 m)	85.3 ft. (26.0 m)	66.9 ft. (20.4 m)	78.3 ft. (23.9 m)	80.3 ft. (24.5 m)	90.3 ft. (27.5 m)	38.5 ft. (11.7 m)
RM65	66.7 ft. (20.3 m)	78.5 ft. (23.9 m)	80.5 ft. (24.5 m)	90.5 ft. (27.6 m)	71.7 ft. (21.9 m)	83.5 ft. (25.5 m)	85.5 ft. (26.1 m)	95.5 ft. (29.1 m)	41.3 ft. (12.6 m)
RM70	71.6 ft. (21.8 m)	83.3 ft. (25.4 m)	85.3 ft. (26.0 m)	95.3 ft. (29.0 m)	76.6 ft. (23.4 m)	88.3 ft. (26.9 m)	90.3 ft. (27.5 m)	100.3 ft. (30.6 m)	44.0 ft. (13.4 m)
RM75	76.4 ft. (23.3 m)	88.1 ft. (26.9 m)	90.1 ft. (27.5 m)	100.1 ft. (30.5 m)	81.4 ft. (24.8 m)	93.1 ft. (28.7 m)	95.1 ft. (29.0 m)	105.1 ft. (32.0 m)	46.7 ft. (14.2 m)

Add 2 inches for units installed with a 25 ft. Hydraulic lift.

OPTIONAL EQUIPMENT

- Various Side Mount Platforms
- Various Platform Covers
- Liners With or Without Steps
- Hydraulic Platform Rotators
- 24" Platform Lifter
- Jib Options (Side Mount Only)
 - Various Jib Extension Systems
 - Hydraulic, Articulating Jib/Winch, Side Mt. 2000 lbs.
 - Single Wire / 46 Kv Insulated Single Line Lifter / Multi-Phase Attachments
- Category "A" or "B" Rating Per ANSI A92.2
- Lower Boom Lifting Eye
- Automatic Upper Boom Latch
- Hydraulic Lifts: 13 ft, 15 ft, and 25 ft.
 - Power Assist, Pilot-Operated, Closed Center Hydraulic System on All Hydraulic Lifts
 - Lift Tie Down
- Hydraulic Tool Outlets
- Various Hydraulic Pumps
- Engine Stop/Start
- Auxiliary Power
- Auxiliary Let Down System
- Boom Overstow Protection
- Boom/Boom Stow Interlock
- Boom Storage Warning Light
- Outrigger Sag Light
- Various Types of Outriggers
- Truck Grounding Cable & Clamp
- Hybrid Enable
- HyPower™ Hybrid System by Terex®

Effective Date: March, 2010. Product specifications and prices are subject to change without notice or obligation. The photographs and/or drawings in this document are for illustrative purposes only. Refer to the appropriate Operator's Manual for instructions on the proper use of this equipment. Failure to follow the appropriate Operator's Manual when using our equipment or to otherwise act irresponsibly may result in serious injury or death. The only warranty applicable to our equipment is the standard written warranty applicable to the particular product and sale and Terex makes no other warranty, express or implied. Products and services listed may be trademarks, service marks or trade-names of Terex Corporation and/or its subsidiaries in the USA and other countries. All rights are reserved. Terex® is a registered trademark of Terex Corporation in the USA and many other countries. Copyright 2010 Terex Corporation.