

AC7-55 Articulating Crane

Specifications

Number of Extensions	1-Hydraulic	2-Hydraulic	3-Hydraulic	4-Hydraulic
Crane Rating*	54,700 ft-lb (7.6 tm)	54,700 ft-lb (7.6 tm)	54,700 ft-lb (7.6 tm)	54,700 ft-lb (7.6 tm)
Max. Horizontal Reach	18' 1" (5.50 m)	23' 4" (7.12 m)	28' 9" (8.76 m)	34' 1" (10.40 m)
Max Vertical Reach Hydraulic	27' 11" (8.5 m)	33' 6" (10.2 m)	38' 5" (11.7 m)	43' 8" (13.3 m)
Max. Capacity	6,327 lb (2,850 kg)	6,040 lb (2,740 kg)	5,840 lb (2,650 kg)	5,666 lb (2,570 kg)
Max Capacity @ Max Reach	2,822 lb (1,280 kg)	2,060 lb (935 kg)	1,543 lb (700 kg)	1,157 lb (525 kg)
Crane Weight**	2,028 lb (920 kg)	2,205 lb (1,000 kg)	2,337 lb (1,060 kg)	4,938 lb (1,120 kg)

*Crane rating (ft-lb) is the rated load (lb) x the respective distance (ft) from centerline of rotation with all extensions retracted and the inner and outer booms in a horizontal position, per ANSI B30.22.

**Crane weight does not include outrigger

Specifications

Outrigger Foot Diameter	5.91" (150 mm)	Optimum Pump Capacity	5.3 gpm (20 L/min)
Crane Storage Height	80" (2,015 mm)	System Pressure	3,920 psi (270 bar)
Mounting Space***	23.62" (600 mm)	Outrigger Extension Span	
Rotational Torque	10,251 ft-lb (1390 daNm)	Standard (manual out, hydraulic down)	13'11" (4.25 m)
Rotation	400°	Weight	310 lb (140 kg)
Oil Reserve Capacity	9.2 gal (35 L)		

***Allow an additional 10" between the cab and crane base for swing clearance.

Minimum Chassis Specifications

Gross Vehicle Weight Rating (GVWR)	22,040 lb
Resistance to Bending Moment (RBM)	382,320 in-lb

Notes

A. Weight distribution calculations are required to determine final axle loading. The use of service bodies, diesel engines, or longer wheelbase, can increase the minimum chassis requirements. Please contact Auto Crane for details.

B. GAWR (Gross Axle Weight Rating) is the total weight of the vehicle including the (chassis, driveline, occupants, cargo, etc.) that is allowed by the manufacturer requirements, for the vehicle to go down the road safely. This is a critical factor in purchasing a truck for the crane application. All chassis and crane applications must be tested by engineering and the final assembler to ensure stability per ANSI B30.22.

System Characteristics

Rotation System

Our Articulating Cranes utilize a rack and pinion rotation system which provides high torque for demanding applications. The column turns on bushings made of an advanced composite material for long service life. The rotation cylinders are protected by a load holding valve and flow controls to ensure safe and precise operation.

Cylinder Holding Valves

Flanged load holding valves on hydraulic cylinders provide smooth load control and load holding. In the event of a hose failure, they lock the cylinder in place to prevent uncontrolled crane movement or falling loads.

Hydraulic Overload System

Providing the Hydraulic Overload protection are main relief and port relief valves, as well as counterbalance valves.

Hydraulic System

The hydraulic system is open-center as standard. Included on the crane is a hydraulic oil reservoir, return line filter, high-pressure filter(1), and control valve with dual-side controls(2). An optional closed-center valve is available on request.

Exceptions

- (1) Cranes with manual controls do not have high pressure filter
- (2) Cranes with radio controls do not have dual-side controls

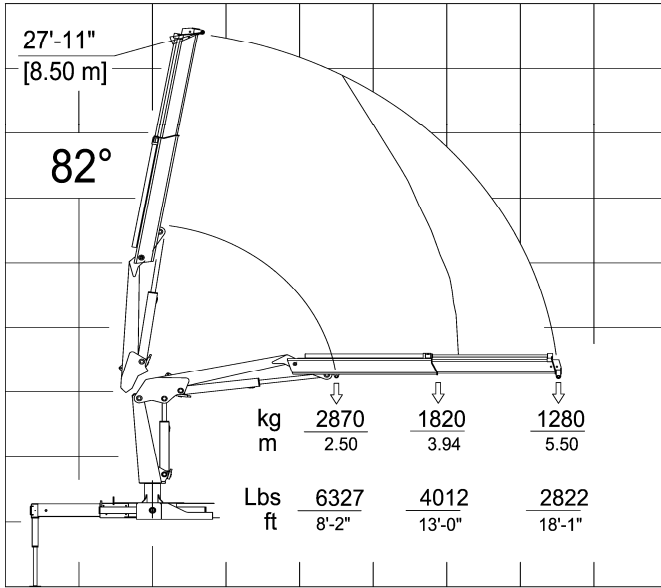


4707 N. Mingo Road
Tulsa, OK 74117
918-836-0463
www.autocrane.com

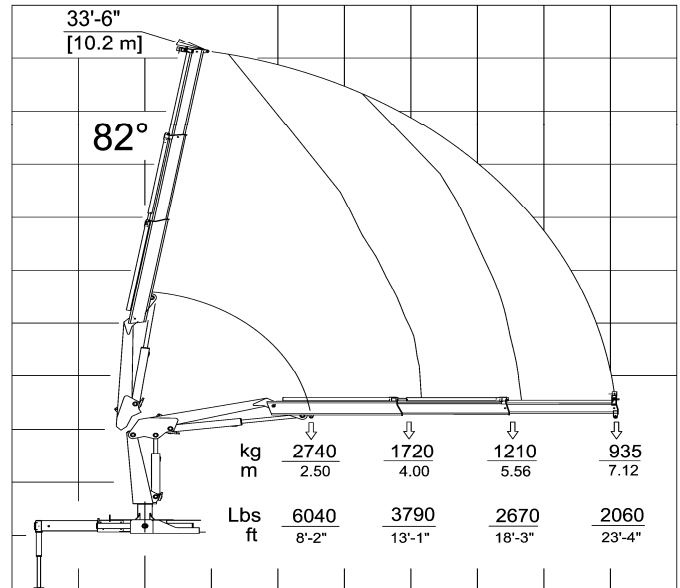
AC7-55 Articulating Crane

Capacity Charts

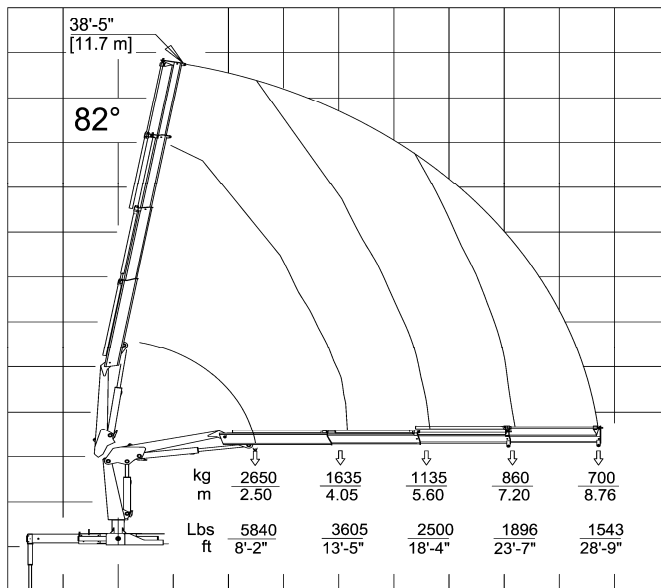
AC7-55 1 Hydraulic Extension



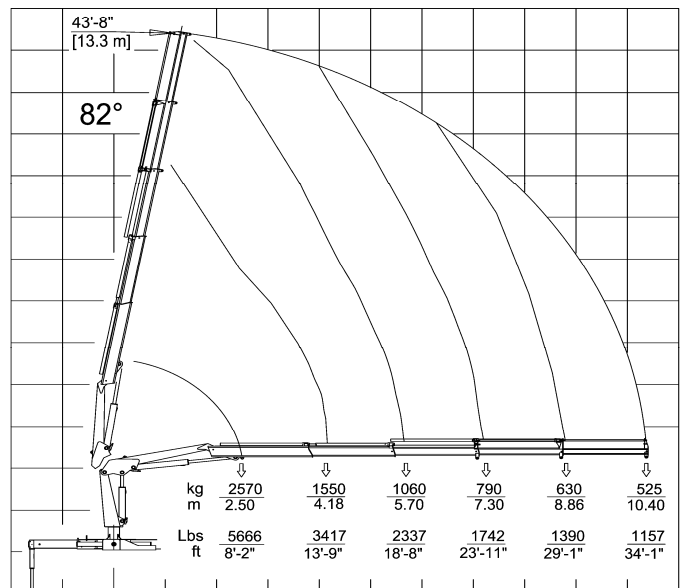
AC7-55 2 Hydraulic Extensions



AC7-55 3 Hydraulic Extension



AC7-55 4 Hydraulic Extensions

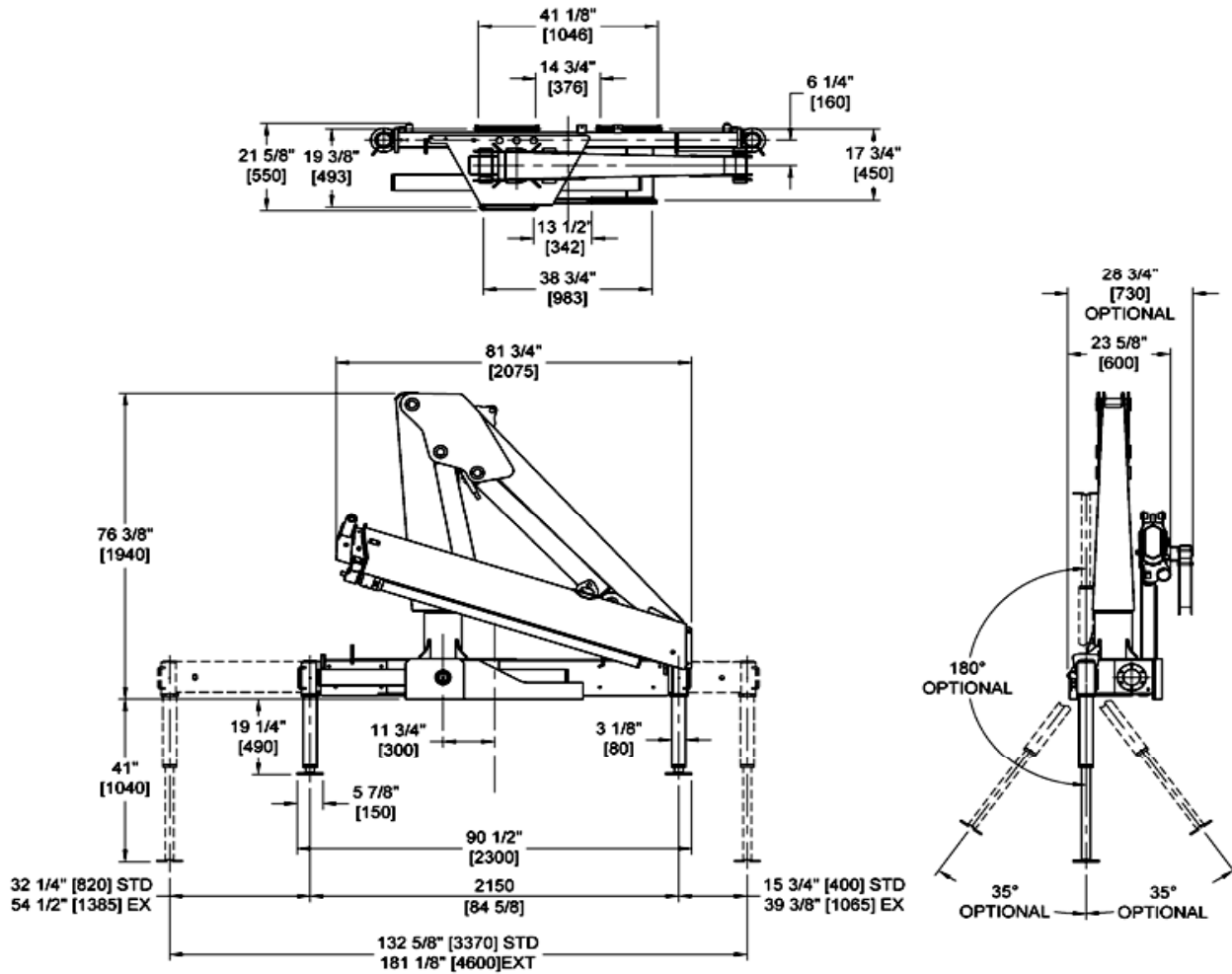


4707 N. Mingo Road
 Tulsa, OK 74117
 918-836-0463
 www.autocrane.com

AC7-55 Articulating Crane

Geometric Configurations (Dimensions)

AC7-55 4 Hydraulic Extensions



Special Features (on select models)



4707 N. Mingo Road
Tulsa, OK 74117
918-836-0463
www.autocrane.com