

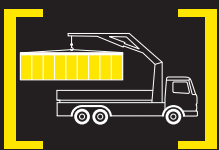
PK 100002

Performance

PALFINGER



PERFECT CRANE GEOMETRY IN THE HEAVY-DUTY LEAGUE



Paltronic 50
controlled

RRC
Radio Remote Control
operated

ISC
Integrated Stability Control
monitored

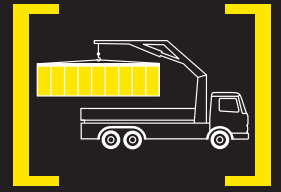
AOS
Active Oscillation Suppression
inside

DPS plus
Dual Power System
activated

ENORMOUS OUTREACH AND PRECISION

The PK 100002 *Performance* sets the standards in its class and impresses by virtue of its geometry and numerous technical highlights. Equipped as standard with PALTRONIC 50, radio remote control and E-HPLS, this crane stands out through its great manoeuvrability and universal deployability.

Thanks to the POWER LINK PLUS, a further standard element of this model, the PK 100002 *Performance* makes it easy to perform heavy-duty work – even in cramped conditions.



LOW WEIGHT THROUGH USE OF HIGH-STRENGTH FINE-GRAINED STRUCTURAL STEEL



AN OUTSTANDING CRANE IN THE 100 METRE-TONNE CLASS

Advanced Package

- Oil cooler installed
- Electronic HPLS
- Capacity display on control console
- PALFINGER radio control
- PALTRONIC 50
- Functional Design
- Load Sensing operation



Load-holding valves

They prevent the crane arm from dropping and are fitted as standard equipment onto the slewing mechanism, elevating arm, and extension cylinders. The valves are positioned in such a way that they are protected from being damaged.



POWER LINK PLUS

This knuckle boom specially developed by PALFINGER which can be angled upwards by 10 degrees stands out by virtue of excellent movement geometry. Even in the tightest spaces difficult crane jobs can be carried out without any problems.

Control valve

In combination with the PALFINGER radio control system the load sensing proportional valve enables the crane to be operated with great precision.

AOS

The Active Oscillation Suppression system, which is available exclusively from PALFINGER, compensates for jolts and sharp stress cycles caused by crane operation. Because oscillations are eradicated, the crane can work with pin-point accuracy much more quickly and therefore more cost-efficiently.

Endless slewing mechanism

The endless slewing mechanism, which is equipped as standard with two slewing drives, permits an unrestricted radius of operation and produces a high slewing torque. As a result the crane operations are more efficient.



OPTIMAL OSCILLATION SUPPRESSION BY MEANS OF AOS



Hose equipment for accessories

With this option you can provide the oil supply for boom tip accessories. The hoses are routed in compact troughs and plastic link chains. Optimal protection is achieved.



Functional design

- Protection cover for the control valve
- Hoses covered behind the crane column
- Support system with internally routed hydraulic lines



Integration of the base frame

The direct integration of the base frame into the supporting frame gives the crane a low overall height.

Additional fly jibs

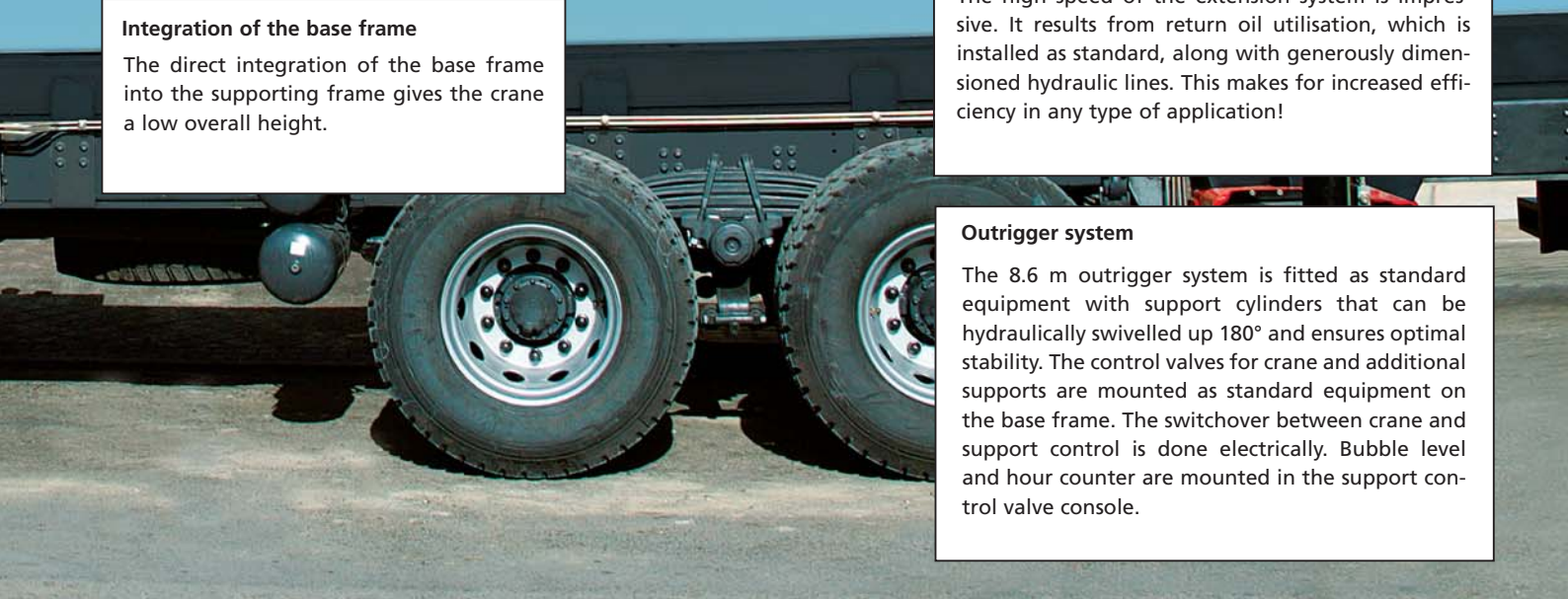
To extend the range of applications of the PK 100002 *Performance* additional fly jibs are available in several designs and for various boom versions.

Return oil utilisation

The high speed of the extension system is impressive. It results from return oil utilisation, which is installed as standard, along with generously dimensioned hydraulic lines. This makes for increased efficiency in any type of application!

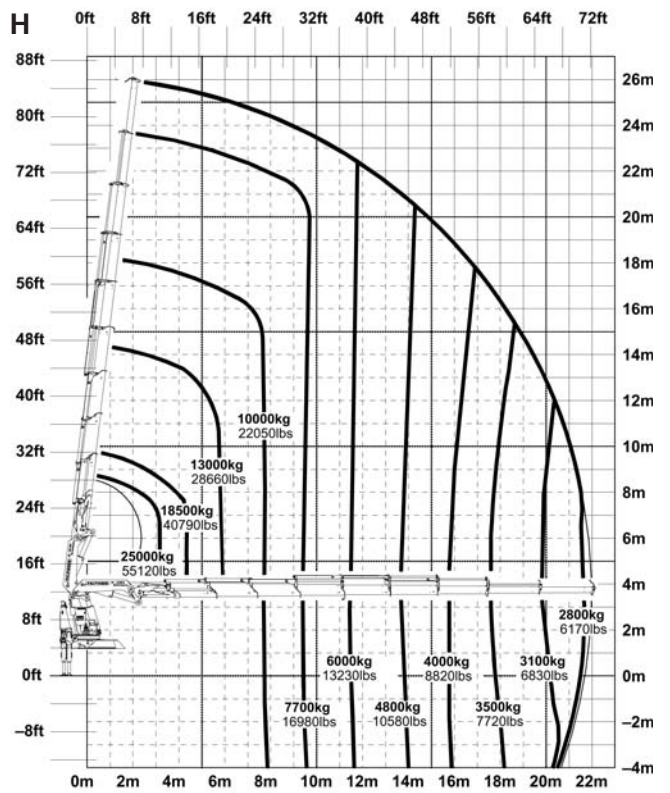
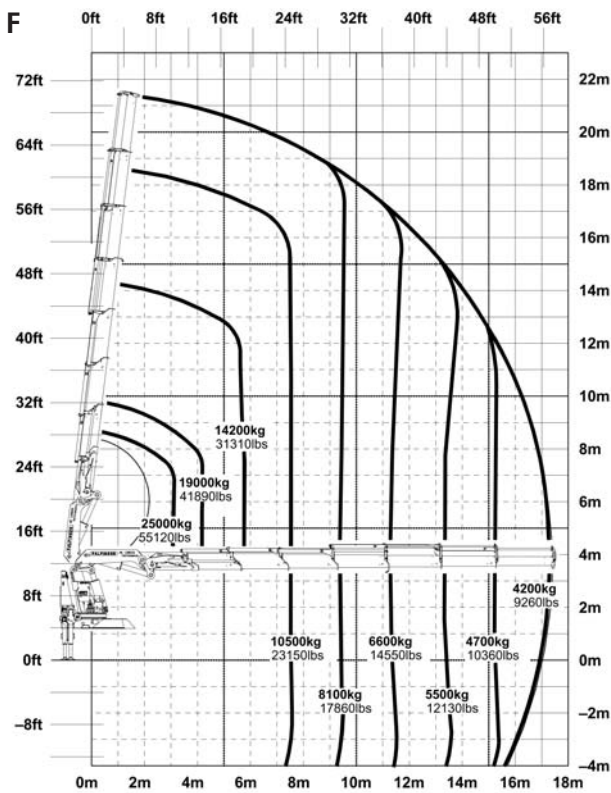
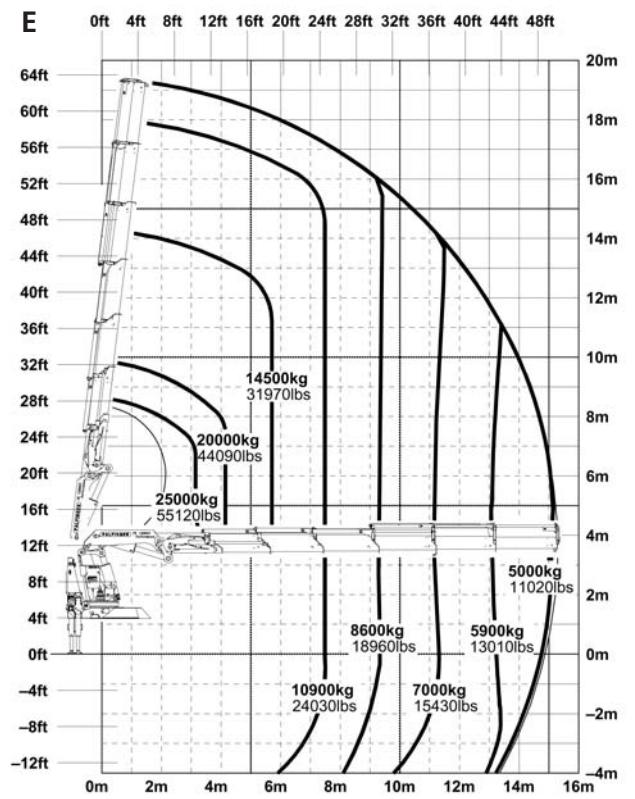
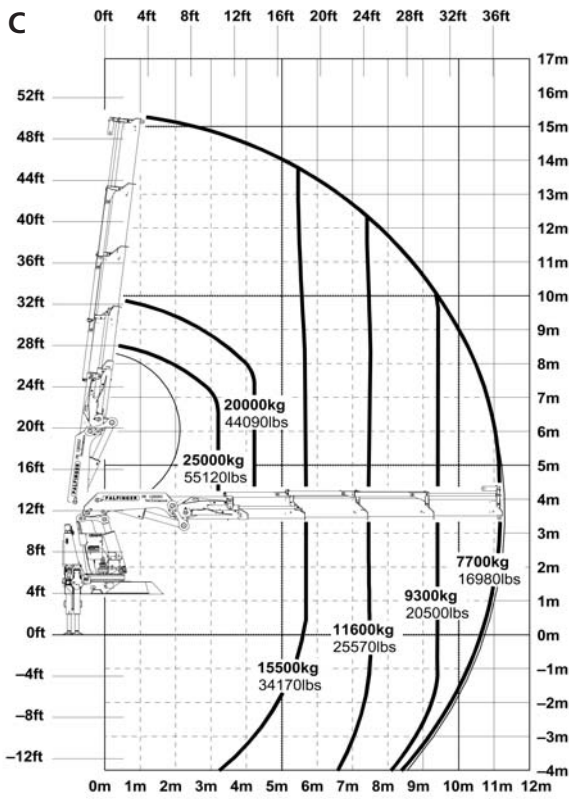
Outrigger system

The 8.6 m outrigger system is fitted as standard equipment with support cylinders that can be hydraulically swivelled up 180° and ensures optimal stability. The control valves for crane and additional supports are mounted as standard equipment on the base frame. The switchover between crane and support control is done electrically. Bubble level and hour counter are mounted in the support control valve console.



9 EXTENSION ARMS PERMIT MAXIMUM OUTREACH

PK 100002 Performance



EXPANDED AREAS OF APPLICATION THROUGH HIGH-PERFORMANCE FLY JIBS

Max. lifting capacities

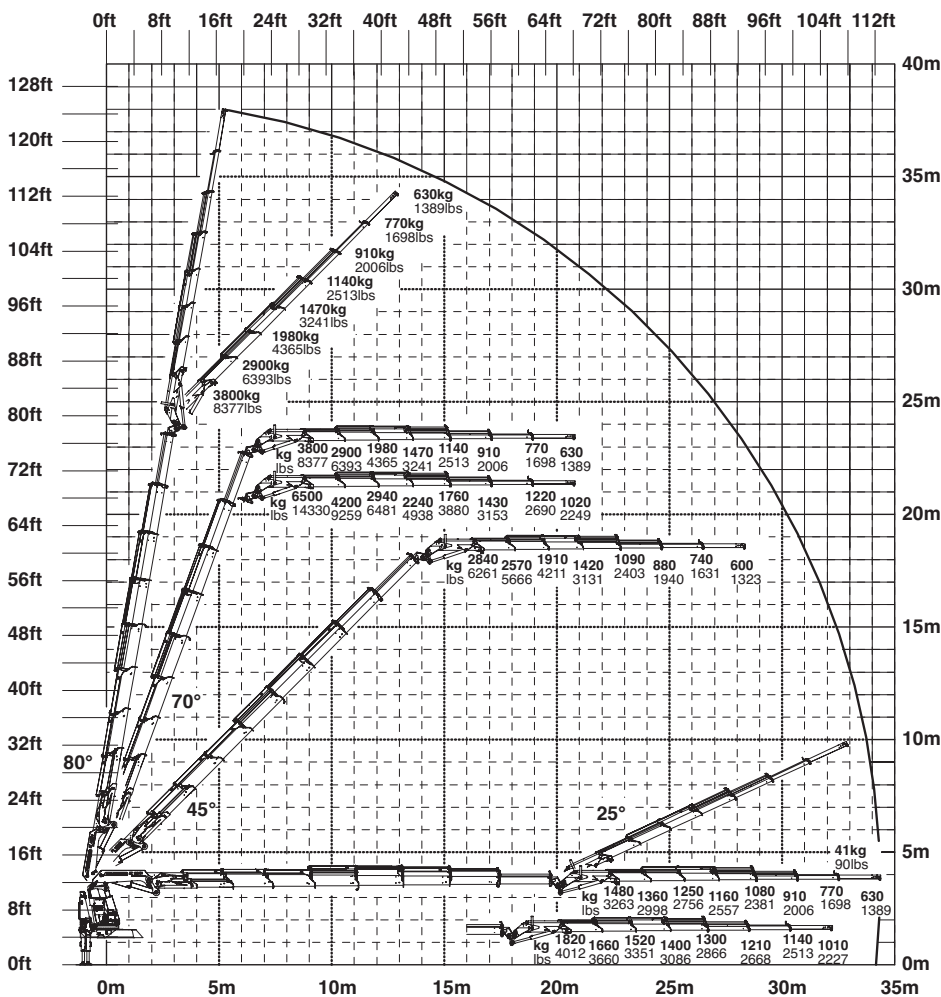
| PK 100002 Performance B | | | |
|--|--------|----------|-----------|
| Max. lifting capacities 30000 kg 66140 lbs | | | |
| Outreach | | Capacity | |
| hydraulic | | | |
| 4.4 m | 14' 5" | 19900 kg | 43870 lbs |
| 5.6 m | 18' 4" | 15700 kg | 34610 lbs |
| 7.4 m | 24' 3" | 12000 kg | 26450 lbs |
| 9.2 m | 30' 2" | 9700 kg | 21380 lbs |

| PK 100002 Performance C | | | |
|--|--------|----------|-----------|
| Max. lifting capacities 30000 kg 66140 lbs | | | |
| Outreach | | Capacity | |
| hydraulic | | | |
| 4.4 m | 14' 5" | 19640 kg | 43300 lbs |
| 5.6 m | 18' 4" | 15400 kg | 33950 lbs |
| 7.4 m | 24' 3" | 11640 kg | 25660 lbs |
| 9.2 m | 30' 2" | 9320 kg | 20550 lbs |
| 11.1 m | 36' 5" | 7720 kg | 17020 lbs |

| PK 100002 Performance D | | | |
|--|--------|----------|-----------|
| Max. lifting capacities 30000 kg 66140 lbs | | | |
| Outreach | | Capacity | |
| hydraulic | | | |
| 4.4 m | 14' 5" | 19300 kg | 42550 lbs |
| 5.6 m | 18' 4" | 15100 kg | 33290 lbs |
| 7.4 m | 24' 3" | 11300 kg | 24910 lbs |
| 9.2 m | 30' 2" | 8960 kg | 19750 lbs |
| 11.1 m | 36' 5" | 7370 kg | 16250 lbs |
| 13.1 m | 43' 0" | 6230 kg | 13730 lbs |

PK 100002 Performance

G PJ170E JV1 DPS PLUS



| PK 100002 Performance E | | | |
|--|---------|----------|-----------|
| Max. lifting capacities 30000 kg 66140 lbs | | | |
| Outreach | | Capacity | |
| hydraulic | | | |
| 4.4 m | 14' 5" | 19000 kg | 41890 lbs |
| 5.6 m | 18' 4" | 14800 kg | 32630 lbs |
| 7.4 m | 24' 3" | 10960 kg | 24160 lbs |
| 9.2 m | 30' 2" | 8630 kg | 19030 lbs |
| 11.1 m | 36' 5" | 7020 kg | 15480 lbs |
| 13.1 m | 43' 0" | 5870 kg | 12940 lbs |
| 15.2 m | 49' 10" | 5050 kg | 11130 lbs |

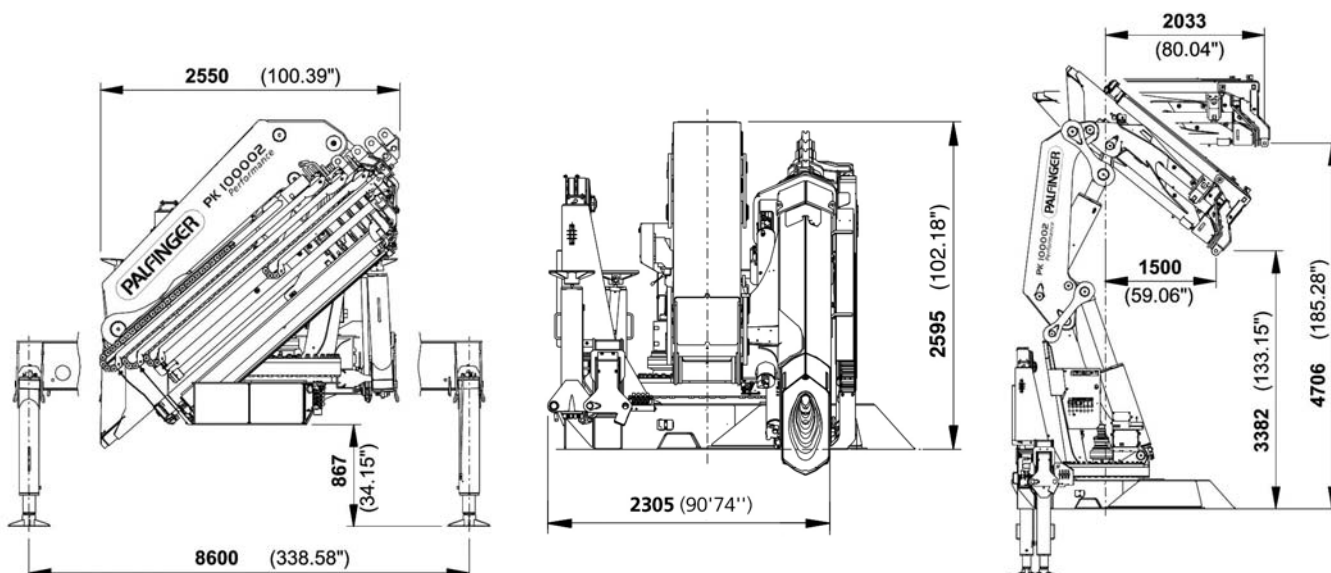
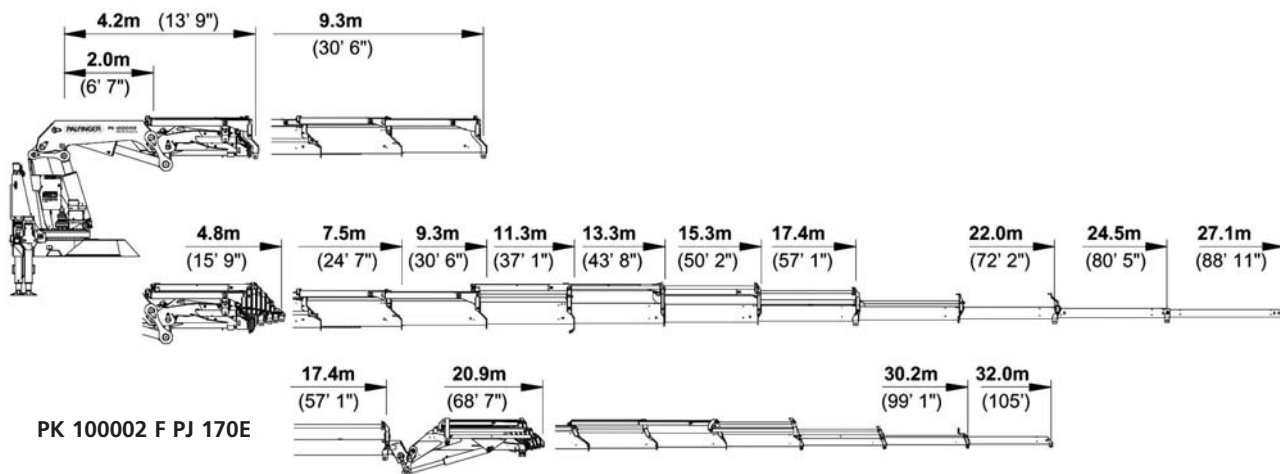
| PK 100002 Performance F | | | |
|--|---------|----------|-----------|
| Max. lifting capacities 30000 kg 66140 lbs | | | |
| Outreach | | Capacity | |
| hydraulic | | | |
| 4.4 m | 14' 5" | 18800 kg | 41450 lbs |
| 5.6 m | 18' 4" | 14530 kg | 32030 lbs |
| 7.4 m | 24' 3" | 10670 kg | 23520 lbs |
| 9.2 m | 30' 2" | 8300 kg | 18300 lbs |
| 11.1 m | 36' 5" | 6700 kg | 14770 lbs |
| 13.1 m | 43' 0" | 5540 kg | 12210 lbs |
| 15.2 m | 49' 10" | 4700 kg | 10360 lbs |
| 17.3 m | 56' 9" | 4120 kg | 9080 lbs |
| manual | | | |
| 19.5 m | 64' 0" | 3500 kg | 7720 lbs |
| 21.8 m | 71' 6" | 3000 kg | 6610 lbs |

| PK 100002 Performance H | | | |
|--|---------|----------|-----------|
| Max. lifting capacities 29200 kg 64370 lbs | | | |
| Outreach | | Capacity | |
| hydraulic | | | |
| 4.4 m | 14' 5" | 18500 kg | 40780 lbs |
| 5.6 m | 18' 4" | 14150 kg | 31190 lbs |
| 7.4 m | 24' 3" | 10200 kg | 22490 lbs |
| 9.2 m | 30' 2" | 7850 kg | 17310 lbs |
| 11.1 m | 36' 5" | 6200 kg | 13670 lbs |
| 13.1 m | 42' 12" | 5030 kg | 11090 lbs |
| 15.2 m | 49' 10" | 4200 kg | 9260 lbs |
| 17.3 m | 56' 9" | 3580 kg | 7890 lbs |
| 19.6 m | 64' 4" | 3100 kg | 6830 lbs |
| 21.9 m | 71' 10" | 2770 kg | 6110 lbs |
| manual | | | |
| 24.3 m | 79' 9" | 2400 kg | 5290 lbs |
| 26.9 m | 88' 3" | 1650 kg | 3640 lbs |

The outreaches stated are with a boom angle of 20° and are therefore not the maximum.



PK 100002 PERFORMANCE: IMPRESSIVE POWER AND QUALITY



| PK 100002 Performance | | |
|---|-------------------|---------------|
| Technical Specifications (EN 12999 H1-B3) | | |
| Max. lifting moment | 92.2 mt/904.5 kNm | 666870 ft.lbs |
| Max. lifting capacity | 30000 kg/294.3 kN | 66140 lbs |
| Max. hydraulic outreach | 22.0 m | 72' 2" |
| Max. manual outreach | 27.1 m | 88' 11" |
| Max. outreach (with fly-jib) | 32.0 m | 104' 12" |
| Slewing angle | endless | |

| PK 100002 Performance | | |
|--|--|--------------|
| Standard crane | | |
| Slewing torque | 9.0 mt/88.3 kNm | 65100 ft.lbs |
| Outreach | 9.3 m | 30' 6" |
| Stabilizer spread standard | 8.6 m | 28' 3" |
| Fitting space required | min. 2.31 m / 7' 7" max. 2.47 m / 8' 1" | |
| Width folded | 2.55 m | 8' 4" |
| Max. operating pressure | 365 bar | 5293 psi |
| Recommended pump capacity with RC- and LS-system | from 90 l/min 19.8 imp.gal./min 23.8 US gal./min to 110 l/min 24.2 imp.gal./min 29.1 US gal./min | |
| Dead weight standard crane | 8800 kg | 19400 lbs |

Applications shown in the leaflet do not always correspond to the standard specifications. Design and specification are subject to change without prior notice.



Dimensions may vary. Subject to technical changes, errors and translation mistakes. *) Optional features

KP-PK100002M2+E, 06/09

www.palfinger.com