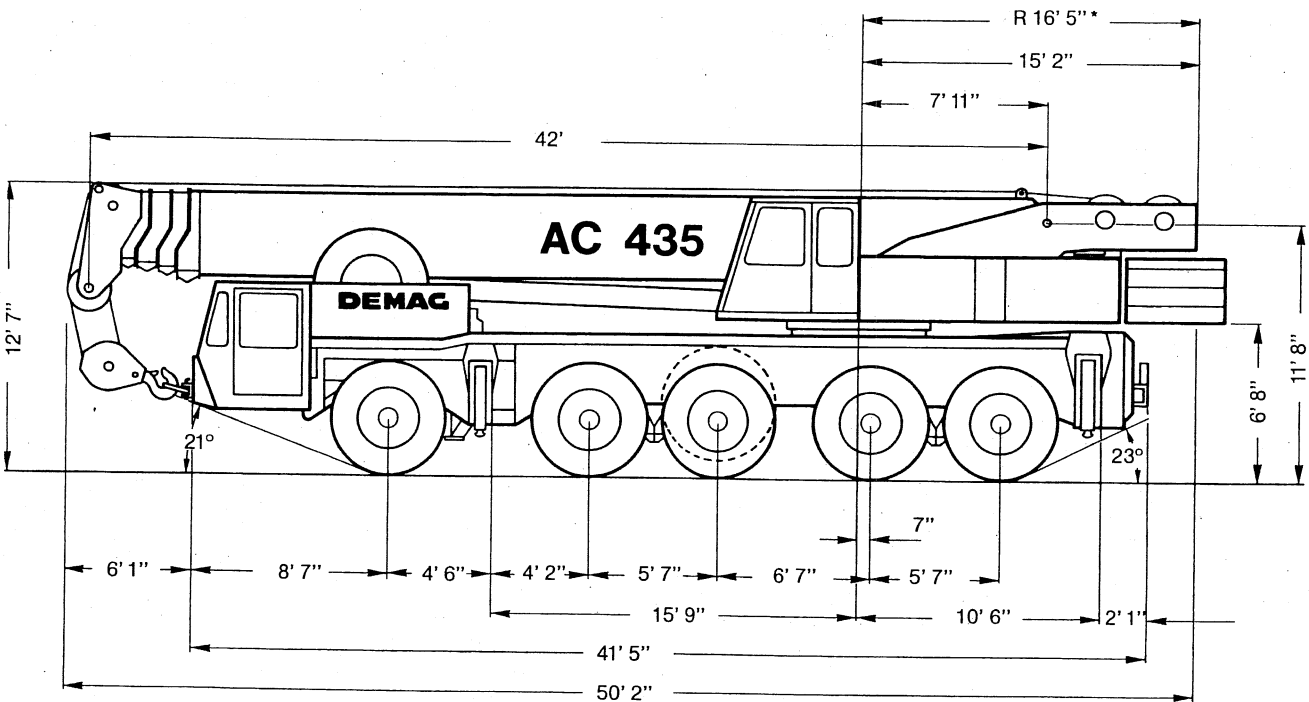
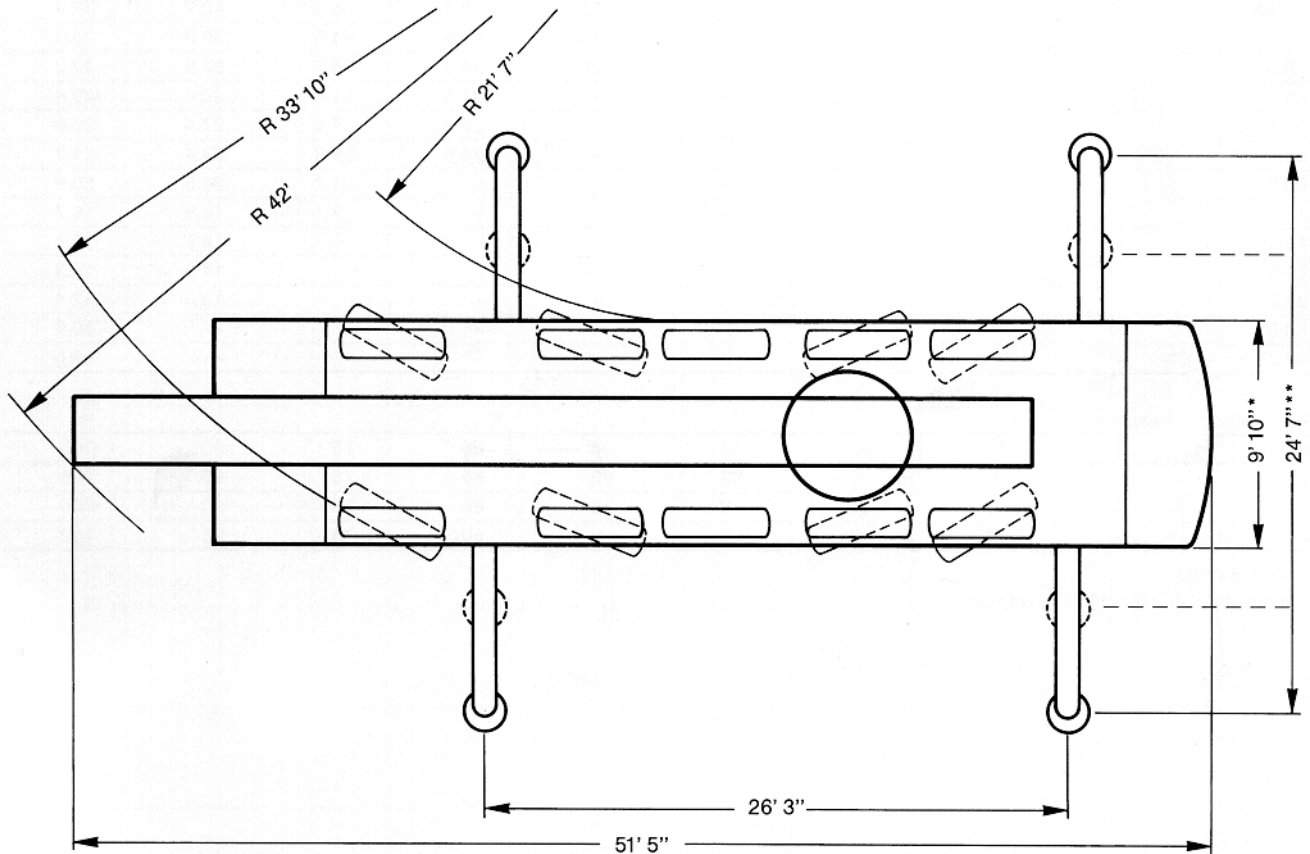
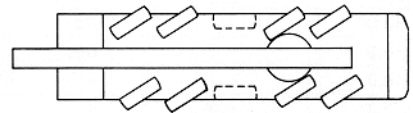
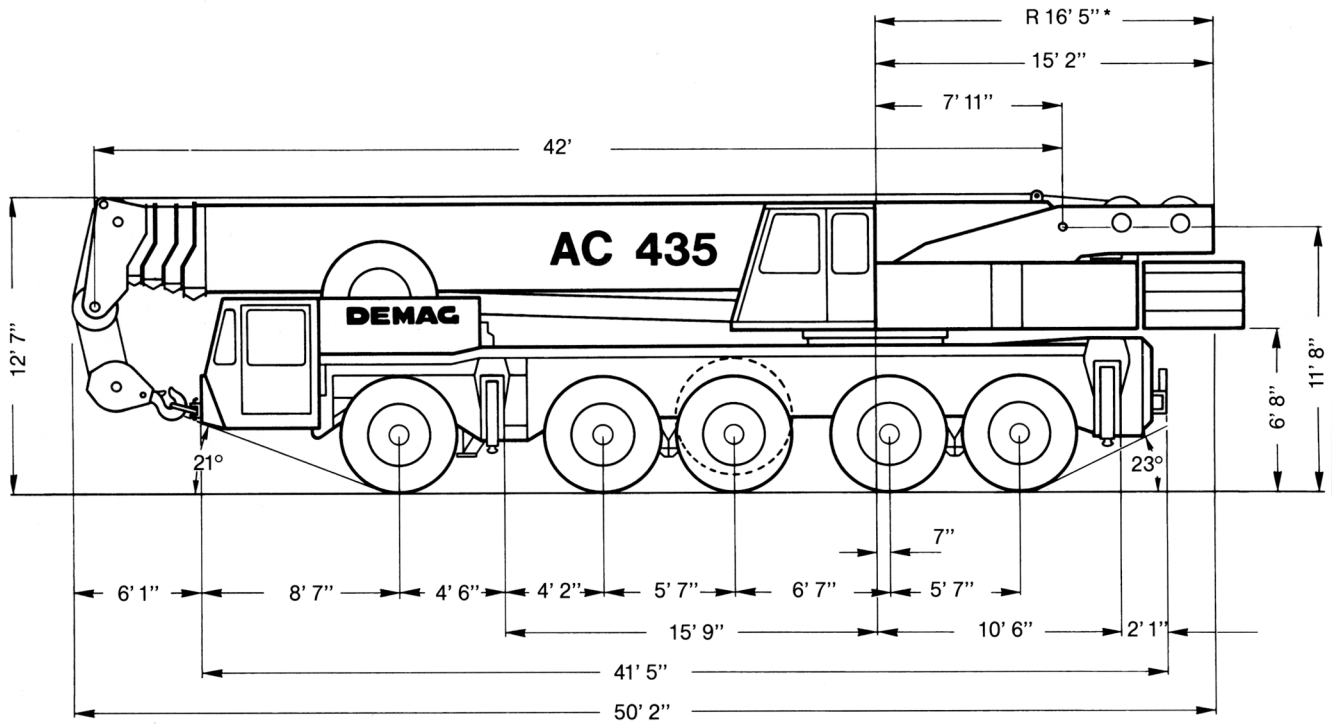


# Dimensions



\* Width with more than 59,000 lb of counterweight: 16' 5"; tail swing: 16' 11"

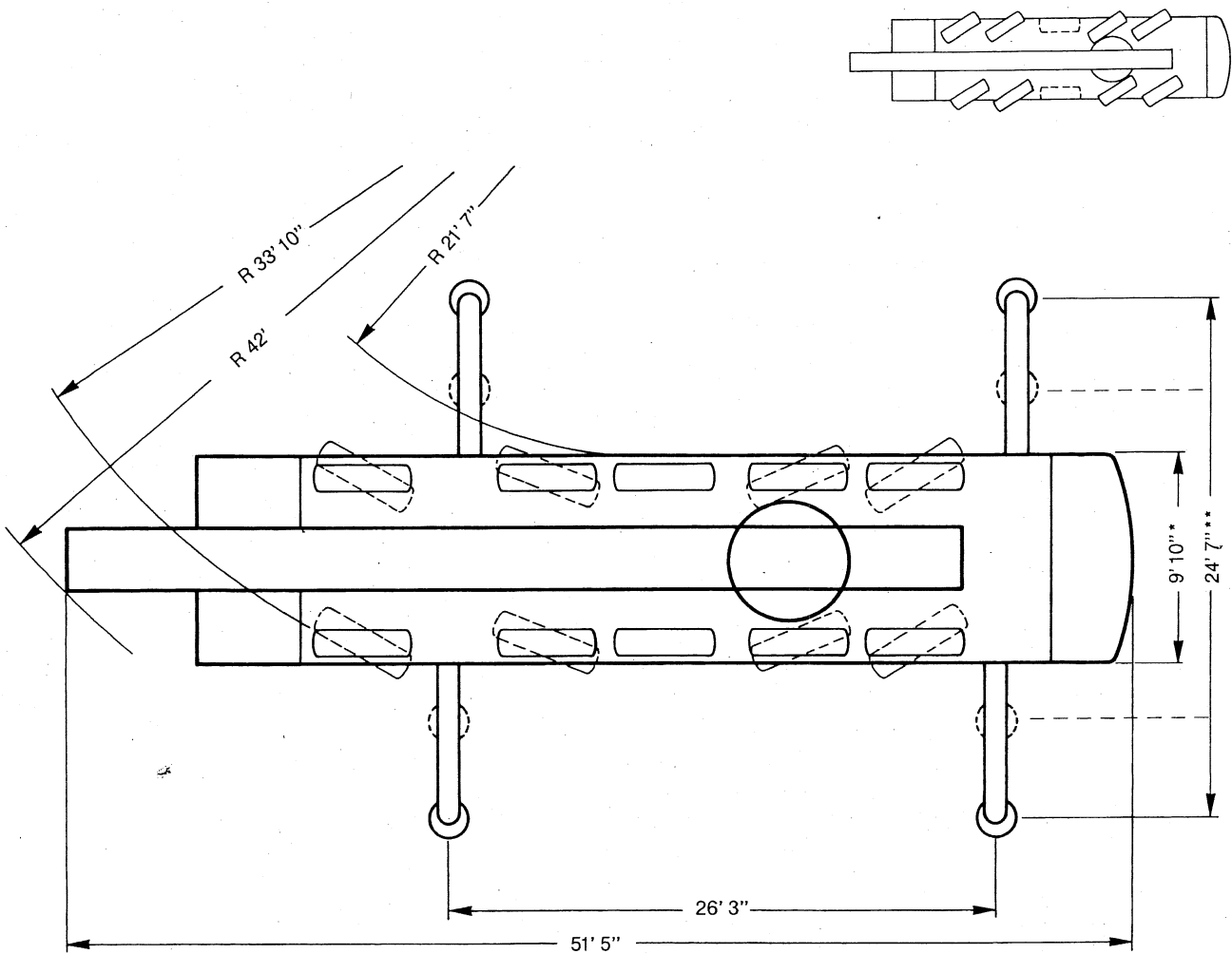
# Dimensions



\* Width with more than 59,000 lb counterweight 16' 5", tail swing 16' 11"

\*\* Duties for outrigger base 16' upon request

# Dimensions



\* Width with more than 59,000 lb of counterweight: 16' 5", tail swing: 16' 11"

\*\* Duties for outrigger base 16' upon request

**TAIL SWING: 17' 9" W/ 103,000 CWT**

# DEMAG MODEL AC 435 - 180 TON CAPACITY



<u>COMPONENT WEIGHTS</u>	<u>LBS.</u>	<u>KGS.</u>	<u>JIB O.D 49" X 44"</u>	<u>LBS.</u>	<u>KGS.</u>
Complete Crane (incl. block, ball & max. cwt.)	241,150	109 415	Tele-Extension Unit 180-6-372		
Main Unit c/w Outriggers (excl. block, ball & cwt.)	(1) 132,000	59 891	Fixed Fly 39' – 59' – 79' – 98'		
Main Unit Stripped (excluding block, ball, cwt, boom, boom cylinders, front & rear outriggers)	76,700	34 792	Luffing Fly 59'–79'-98'–118'– 138'		
			<u>JIB COMPONENT WEIGHTS</u>		
Counterweight – Minimum	24,200	10 980	Butt 6M 19'8"	2,158	980
Counterweight – Maximum	103,500	46 960	Tip 6.5M 21'4"	1,418	643
Unit 180-6-372 Counterweight – Max.	97,000	44 011	Insert 6M 19'8"	948	430
Certificate Weight		42 000	HD Insert 6M 19'8"	1,278	580
			Jib Mast 7M 23'	1,418	643
			<u>COUNTERWEIGHT</u>	<u>LBS.</u>	<u>KGS.</u>
110 Ton Block	3,970	1 802	Top Slab	10,000	4 537
24 Ton Block	1,675	760	Bottom Slab	13,200	5 990
Boom Dolly	11,000	4 990	Basic Slab (2) ea.	17,600	7 986
Main Load Line (21 mm x 300 M)	1,418	643	Auxiliary (2) ea.	22,000	9 982
Auxiliary Load Line (21 mm x 210 M)	1,228	557			
Boom	42,000	19 052			
Boom Cylinder	3,300	1 497			
Front Outriggers	5,000	2 268			
Rear Outriggers	5,000	2 268			

**TRANSPORTATION\*\***

Average Driving Speed

45 km/hr

**Alberta**

- Spring\*
- Summer and Winter

Weight  
(1)

Trailer  
Small  
64 wh

Drive

Tandem  
dolly

**British Columbia**

- Spring (Lower Mainland)
- Summer & Winter

Drive

Tandem  
dolly  
Dolly

**All Provinces / All Seasons**

**No.**

**Trailer**

24,200 lb. cwt. & misc.

1

Tandem

42,000 lb. cwt. & misc.

1

Tridem

**Saskatchewan**

- Spring\*
- Summer & Winter

Drive

Tandem  
dolly

59,200 lb. cwt. & misc.

1  
or  
2

S/B  
Train  
Tandem

Drive

Tandem  
Dolly

103,500 lb. cwt. & misc.

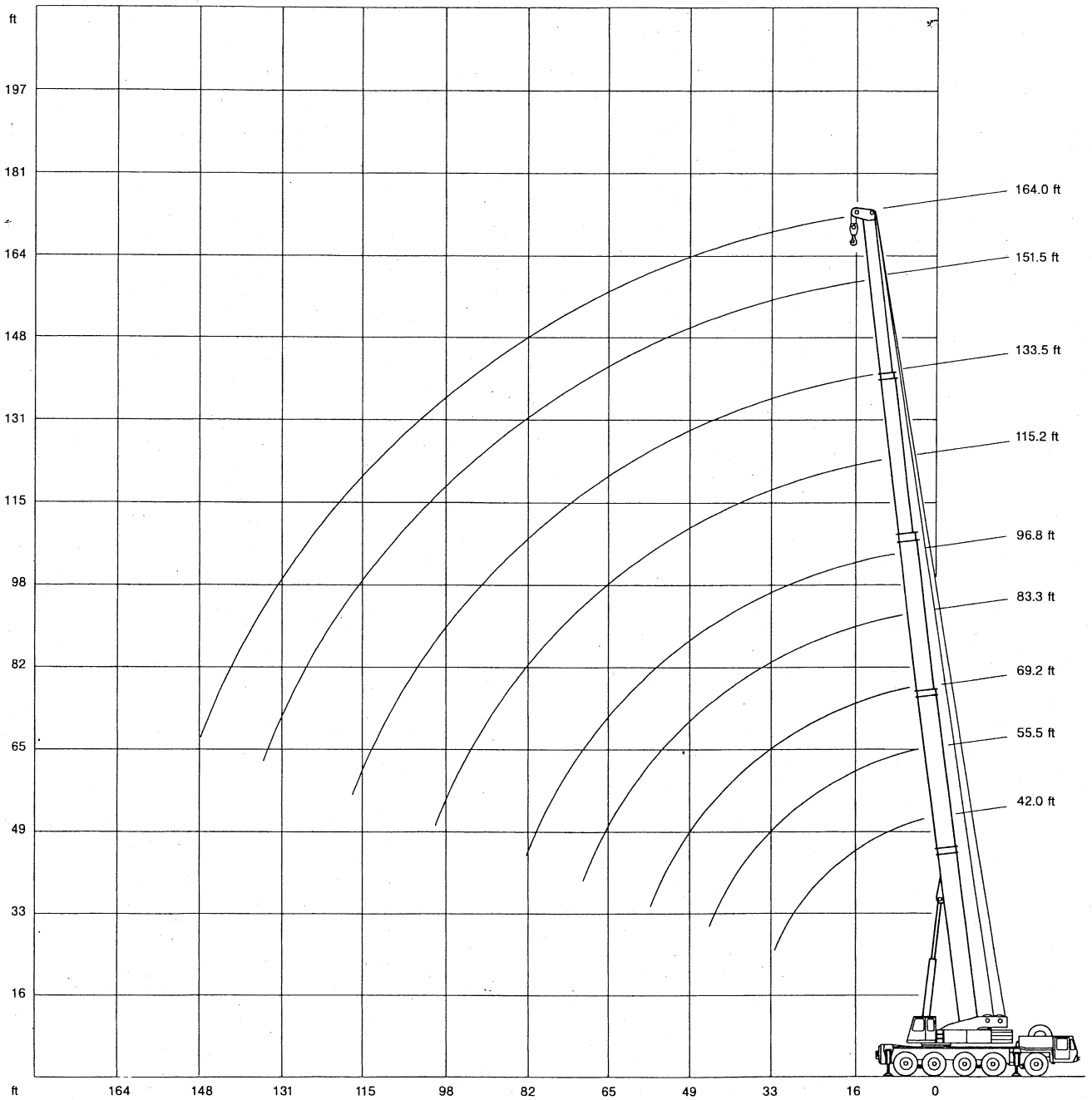
1  
+

S/B  
Train  
Tandem

\*Restricted travel on some secondary roads

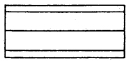
\*\* Block, ball, counterweight and jib are always removed and hauled separately. Trailer types and numbers dependant on amount of counterweight and/or jib required.

# Working range main boom



# Lifting capacities main boom in 1,000 lb

103,000 lb.  
~~97,000 lb~~



360°

85%

Radius ft	Main boom								
	42.0 ft	55.5 ft*	69.2 ft*	83.3 ft*	96.8 ft*	115.2 ft	133.5 ft	151.5 ft	164.0 ft
10.0	360.0 <sup>1)</sup> / 327.0 <sup>2)</sup>	198.0	-	-	-	-	-	-	-
11.0	308.0 <sup>2)</sup>	198.0	198.0	-	-	-	-	-	-
13.0	277.0	198.0	198.0	165.0	132.0	-	-	-	-
15.0	251.0	198.0	198.0	164.5	132.0	-	-	-	-
16.0	243.0	198.0	198.0	161.0	132.0	83.5	-	-	-
19.0	215.0	198.0	194.5	149.5	132.0	83.5	79.0	-	-
23.0	180.5	178.0	175.0	134.5	123.5	83.5	79.0	61.5	-
26.0	159.5	156.5	155.0	124.5	116.5	83.5	78.0	61.5	46.2
29.0	141.0	139.5	137.5	116.0	109.5	83.5	75.5	61.5	46.2
33.0	-	120.5	118.5	105.5	100.5	83.5	71.5	61.0	46.2
39.0	-	98.0	96.5	91.5	88.0	75.5	66.5	57.5	46.2
46.0	-	-	75.0	77.0	75.5	67.0	60.5	53.3	46.2
52.0	-	-	61.5	63.0	62.5	60.5	55.7	49.2	44.2
59.0	-	-	-	51.2	50.8	54.5	50.5	44.3	41.4
65.0	-	-	-	43.5	42.9	48.4	45.8	40.7	38.6
72.0	-	-	-	-	35.8	41.4	41.5	36.9	35.5
79.0	-	-	-	-	29.9	35.5	35.7	33.6	32.2
85.0	-	-	-	-	-	31.3	31.5	30.7	29.4
92.0	-	-	-	-	-	27.2	27.4	27.4	26.8
98.0	-	-	-	-	-	24.4	24.6	24.4	24.2
105.0	-	-	-	-	-	-	21.3	21.3	20.9
111.0	-	-	-	-	-	-	19.1	18.9	18.7
118.0	-	-	-	-	-	-	-	16.7	16.1
124.0	-	-	-	-	-	-	-	14.9	14.3
131.0	-	-	-	-	-	-	-	13.0	12.4
138.0	-	-	-	-	-	-	-	-	10.9
144.0	-	-	-	-	-	-	-	-	9.5

Boom extension sequence

									%
Tele 1	0	45	90	68	90	60	75	90	100
Tele 2	0	0	0	68	90	60	75	90	100
Tele 3	0	0	0	0	0	60	75	90	100
Tele 4	0	0	0	0	0	60	75	90	100

\*) Tele 1 pinned


1) static, test load only

2) only over rear!

Duties above 220,000 lb with heavy-duty attachment only.

# Lifting capacities main boom in 1,000 lb

**59,500 lb**   **360°** **85%**

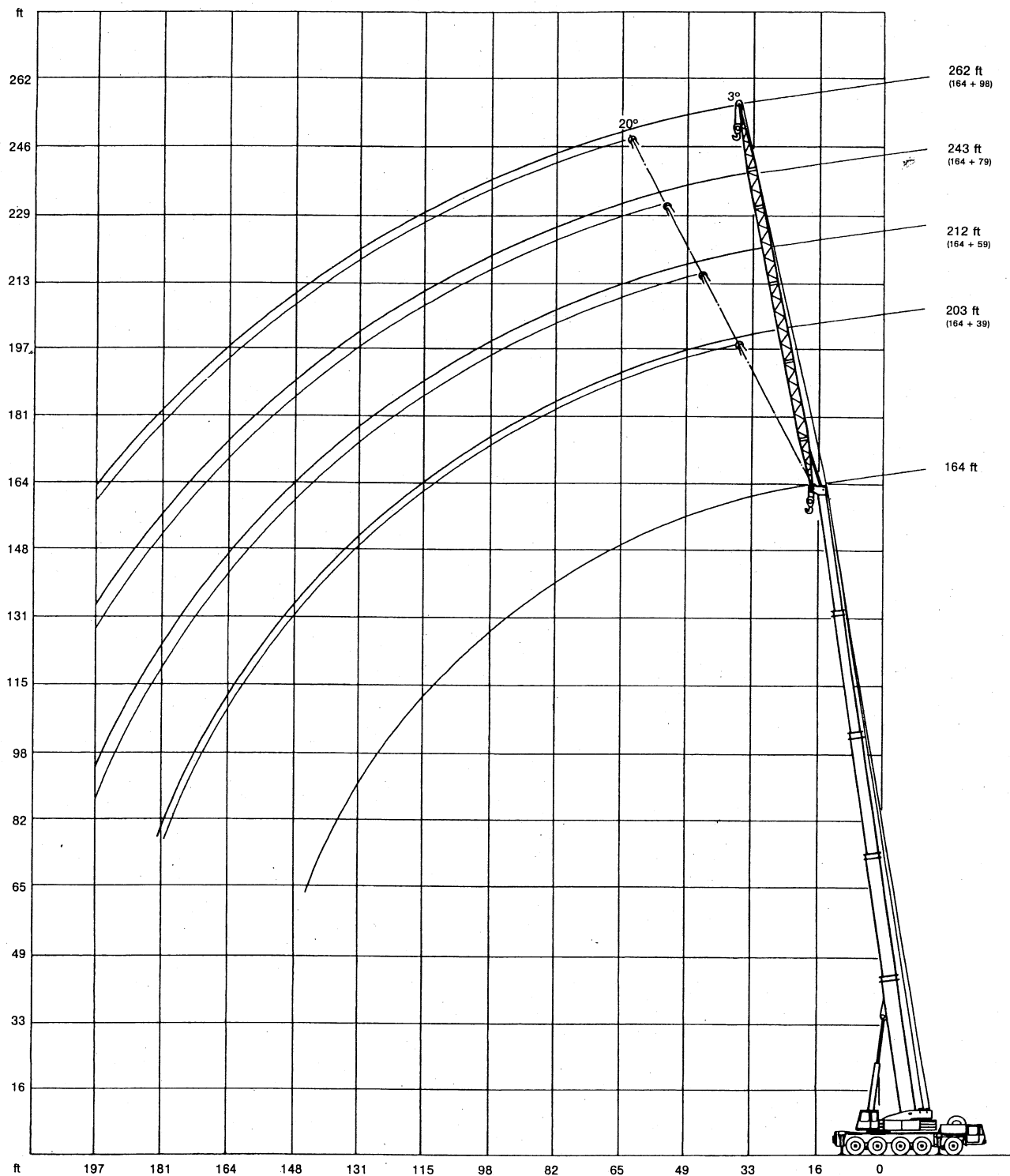
Radius ft	Main boom													
	42.0 ft	55.5 ft*	69.2 ft*	83.3 ft*	96.8 ft*	115.2 ft	133.5 ft	151.5 ft	164.0 ft	42.0 ft 	69.2 ft			
	1,000 lb													
10.0	316.0	198.0	-	-	-	-	-	-	-	-	-	-	-	-
11.0	299.0	198.0	198.0	-	-	-	-	-	-	-	-	-	-	-
13.0	268.0	198.0	198.0	165.0	77.0	132.0	77.0	-	-	-	-	-	-	-
15.0	244.0	198.0	198.0	164.5	77.0	132.0	77.0	-	-	-	-	-	-	-
16.0	233.0	198.0	198.0	161.0	77.0	132.0	77.0	83.5	66.0	-	-	-	-	43.0 39.7
19.0	200.0	191.5	190.5	149.5	77.0	132.0	77.0	83.5	66.0	79.0	41.8	-	-	40.4 37.1
23.0	164.5	161.5	160.0	134.5	77.0	123.5	76.5	83.5	64.5	79.0	41.8	61.5	-	34.0 30.5
26.0	143.0	140.0	138.0	124.5	77.0	116.5	73.0	83.5	61.5	78.0	41.8	61.5	46.2	27.2 23.7
29.0	125.5	122.5	120.0	116.0	77.0	109.5	69.0	83.5	58.3	75.5	41.8	61.5	46.2	23.2 19.9
33.0	-	98.5	96.0	98.0	72.5	97.5	64.5	83.5	54.0	71.5	41.7	61.0	46.2	19.9 16.6
39.0	-	73.5	71.5	73.5	65.5	72.5	57.3	83.5	47.9	66.5	37.3	57.5	46.2	12.8
46.0	-	-	53.2	54.7	55.4	54.3	50.6	83.5	41.3	60.5	32.5	53.3	46.2	8.8
52.0	-	-	42.7	44.2	48.0	43.6	45.8	60.5	36.5	50.2	28.9	49.2	44.2	5.0
59.0	-	-	-	34.6	41.0	34.2	39.7	49.8	32.0	40.4	25.6	40.4	40.1	2.6
65.0	-	-	-	28.2	35.8	27.7	35.2	40.2	28.7	40.4	23.5	40.4	40.1	-
72.0	-	-	-	-	-	21.7	30.5	33.9	28.7	34.3	23.5	34.3	34.1	-
79.0	-	-	-	-	-	17.0	26.0	28.1	26.2	28.3	21.2	28.3	28.1	-
85.0	-	-	-	-	-	-	-	23.2	23.5	23.4	19.3	23.4	23.2	-
92.0	-	-	-	-	-	-	-	19.7	21.9	20.0	18.1	20.0	19.7	-
98.0	-	-	-	-	-	-	-	16.7	19.7	16.9	16.9	16.9	16.4	-
105.0	-	-	-	-	-	-	-	14.2	17.5	14.2	15.7	14.2	14.0	-
111.0	-	-	-	-	-	-	-	11.9	14.5	11.9	14.5	11.9	11.6	-
118.0	-	-	-	-	-	-	-	10.0	13.5	10.0	13.5	10.0	9.8	-
124.0	-	-	-	-	-	-	-	8.1	11.9	8.1	11.9	8.1	7.9	-
131.0	-	-	-	-	-	-	-	6.7	10.0	6.7	10.0	6.7	6.5	-
138.0	-	-	-	-	-	-	-	5.5	9.0	5.5	9.0	5.5	4.9	-
144.0	-	-	-	-	-	-	-	3.7	8.0	3.7	8.0	3.7	3.7	-
144.0	-	-	-	-	-	-	-	2.7	7.0	2.7	7.0	2.7	2.7	-

Boom extension sequence															%
Tele 1	0	45	90	68	0	90	0	60	0	75	0	90	100	0	90
Tele 2	0	0	0	68	45	90	60	60	80	75	100	90	100	0	0
Tele 3	0	0	0	0	45	0	60	60	80	75	100	90	100	0	0
Tele 4	0	0	0	0	45	0	60	60	80	75	100	90	100	0	0

\*) Tele 1 pinned  
 Duties above 220,000 lb with heavy-duty attachment only.

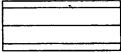



# Working range fixed fly jib

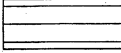


# Lifting capacities fixed fly jib in 1,000 lb

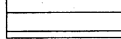

Main boom: 164 ft

~~103,000 lb~~  
~~97,000 lb~~   **360° 85%**

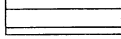

Radius	Fixed fly jib			
	39.0 ft		59.0 ft	
	3°	20°	3°	20°
ft	1,000 lb			
33	24.2	-	-	-
39	23.8	-	18.7	-
46	22.9	-	17.8	-
52	21.9	17.4	17.2	-
59	20.9	16.5	16.7	12.5
65	19.9	15.7	15.9	12.1
72	18.9	15.0	15.2	11.6
79	17.6	14.2	14.5	11.2
85	16.7	13.2	13.7	10.8
92	15.6	12.1	12.9	10.1
98	14.8	11.5	12.1	9.7
105	13.8	10.8	11.4	9.2
111	13.2	9.9	10.8	8.6
118	12.3	9.2	10.1	8.1
124	11.7	8.4	9.5	7.7
131	11.0	7.8	9.0	7.3
138	10.3	7.3	8.1	7.0
144	9.7	6.7	7.7	6.8
151	9.2	6.2	7.2	6.6
157	8.0	5.5	7.0	6.4
164	7.0	4.9	6.3	6.2
170	6.0	4.4	6.1	6.0
177	4.8	3.9	5.3	5.8
184	-	3.3	4.3	5.6
190	-	2.7	3.7	5.4

**59,500 lb**   **360° 85%**

Radius	Fixed fly jib							
	39.0 ft		59.0 ft		79.0 ft		98.0 ft	
	3°	20°	3°	20°	3°	20°	3°	20°
ft	1,000 lb							
33	24.2	-	-	-	-	-	-	-
39	23.8	-	18.7	-	-	-	-	-
46	22.9	-	17.8	-	13.8	-	-	-
52	21.9	17.4	17.2	-	13.2	-	9.9	-
59	20.9	16.5	16.7	12.5	12.7	-	9.7	-
65	19.9	15.7	15.9	12.1	11.9	-	9.3	-
72	18.9	15.0	15.2	11.6	11.4	8.8	8.8	-
79	17.6	14.2	14.5	11.2	10.9	8.3	8.1	-
85	16.7	13.2	13.7	10.8	10.1	8.1	7.9	6.1
92	15.6	12.1	12.9	10.1	9.6	7.7	7.4	5.9
98	14.8	11.5	12.1	9.7	9.2	7.5	7.0	5.7
105	13.2	10.8	11.4	9.2	8.8	7.2	6.8	5.5
111	11.4	9.9	10.8	8.6	8.2	6.8	6.4	5.1
118	9.2	9.2	9.9	8.1	7.7	6.6	5.9	4.8
124	7.8	8.4	8.3	7.7	7.3	6.2	5.5	4.6
131	6.2	7.3	7.0	7.2	6.8	5.7	5.0	4.4
138	4.8	5.9	5.2	6.7	6.1	5.2	4.8	4.1
144	3.8	4.7	4.4	5.5	4.9	4.8	4.4	3.9
151	2.6	3.2	3.2	4.3	3.9	4.6	4.1	3.3
157	-	2.4	2.4	3.3	2.9	4.2	3.3	3.1
164	-	-	-	2.4	-	3.3	2.4	2.8
170	-	-	-	-	-	2.7	-	2.4
177	-	-	-	-	-	-	-	2.2

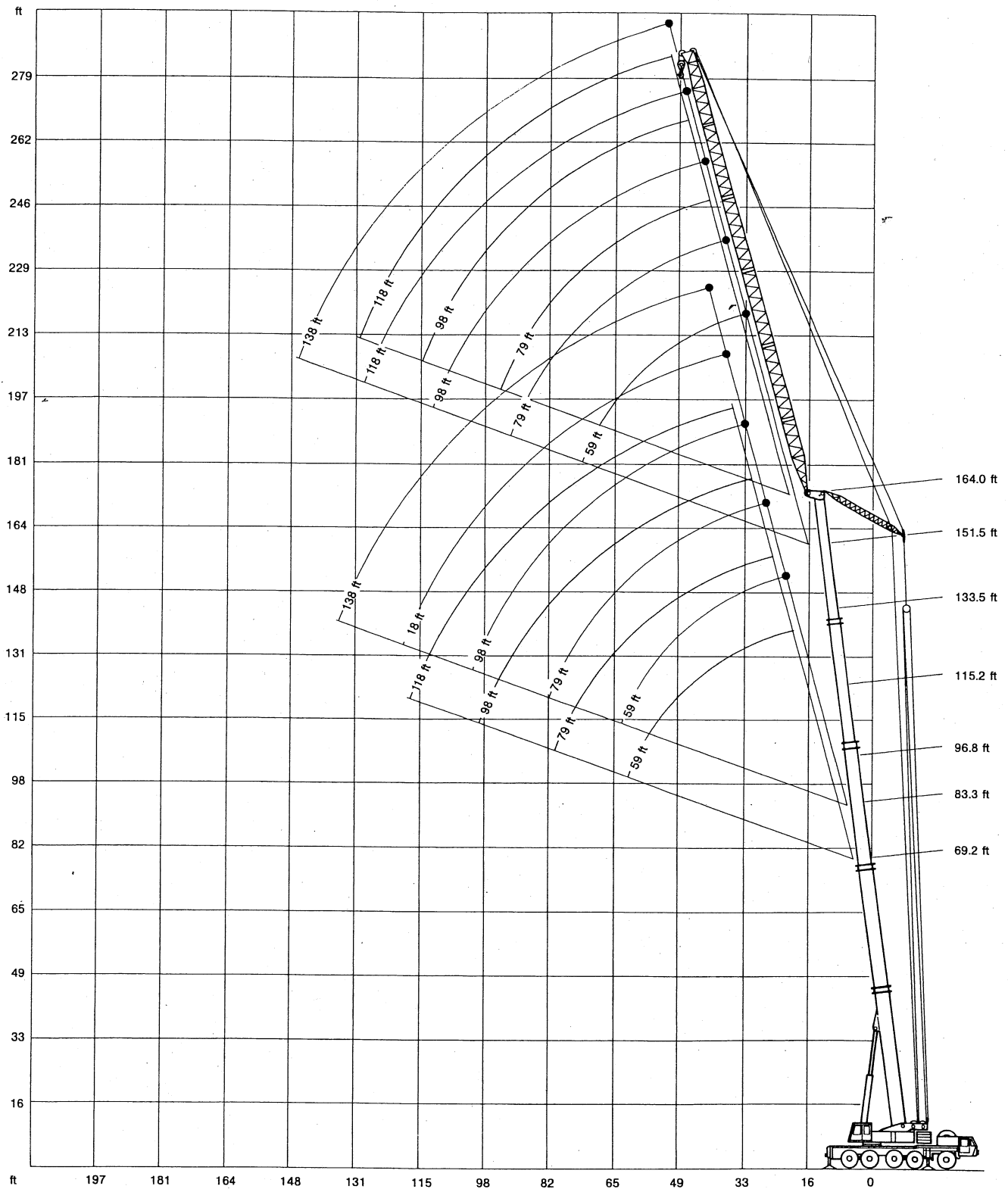
**42,000 lb**   **360° 85%**

Radius	Fixed fly jib							
	39.0 ft		59.0 ft		79.0 ft		98.0 ft	
	3°	20°	3°	20°	3°	20°	3°	20°
ft	1,000 lb							
33	24.2	-	-	-	-	-	-	-
39	23.8	-	18.7	-	-	-	-	-
46	22.9	-	17.8	-	13.8	-	-	-
52	21.9	17.4	17.2	-	13.2	-	9.9	-
59	20.9	16.5	16.7	12.5	12.7	-	9.7	-
65	19.9	15.7	15.9	12.1	11.9	-	9.3	-
72	18.9	15.0	15.2	11.6	11.4	8.8	8.8	-
79	17.5	14.2	14.5	11.2	10.9	8.3	8.1	-
85	14.6	13.2	13.7	10.8	10.1	8.1	7.9	6.1
92	11.8	12.1	11.8	10.1	9.6	7.7	7.4	5.9
98	9.8	11.5	10.0	9.7	9.2	7.5	7.0	5.7
105	7.7	9.2	7.9	9.2	8.1	7.2	6.8	5.5
111	6.1	7.4	6.5	8.6	6.9	6.8	6.4	5.1
118	4.4	5.7	4.8	7.0	5.1	6.6	5.0	4.8
124	3.2	4.3	3.8	5.4	4.0	6.2	4.0	4.6
131	-	2.9	2.4	4.2	2.9	5.1	2.9	4.4
138	-	-	-	2.8	-	3.9	-	4.1
144	-	-	-	-	-	2.9	-	3.3
151	-	-	-	-	-	-	-	2.4

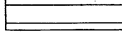

**24,200 lb**   **360° 85%**

Radius	Fixed fly jib							
	39.0 ft		59.0 ft		79.0 ft		98.0 ft	
	3°	20°	3°	20°	3°	20°	3°	20°
ft	1,000 lb							
33	24.2	-	-	-	-	-	-	-
39	23.8	-	18.7	-	-	-	-	-
46	22.9	-	17.8	-	13.8	-	-	-
52	21.9	17.4	17.2	-	13.2	-	9.9	-
59	20.9	16.5	16.7	12.5	12.7	-	9.7	-
65	19.1	15.7	15.9	12.1	11.9	-	9.3	-
72	15.3	15.0	15.2	11.6	11.4	8.8	8.8	-
79	11.8	14.2	11.8	11.2	10.9	8.3	8.1	-
85	9.5	11.5	9.5	10.8	9.7	8.1	7.9	6.1
92	7.2	9.2	7.4	10.1	7.4	7.7	7.4	5.9
98	5.4	7.4	5.4	8.2	5.8	7.5	5.8	5.7
105	3.7	5.5	3.9	6.6	4.1	7.2	4.1	5.5
111	2.5	4.0	2.7	4.7	2.7	5.8	2.7	5.1
118	-	2.4	-	3.3	-	4.2	-	4.8
124	-	-	-	2.3	-	3.0	-	3.8
131	-	-	-	-	-	-	-	2.4

# Working range luffing fly jib, main boom 83°



# Lifting capacities luffing fly jib, main boom 83°, in 1,000 lb

59,500 lb   360° 75%

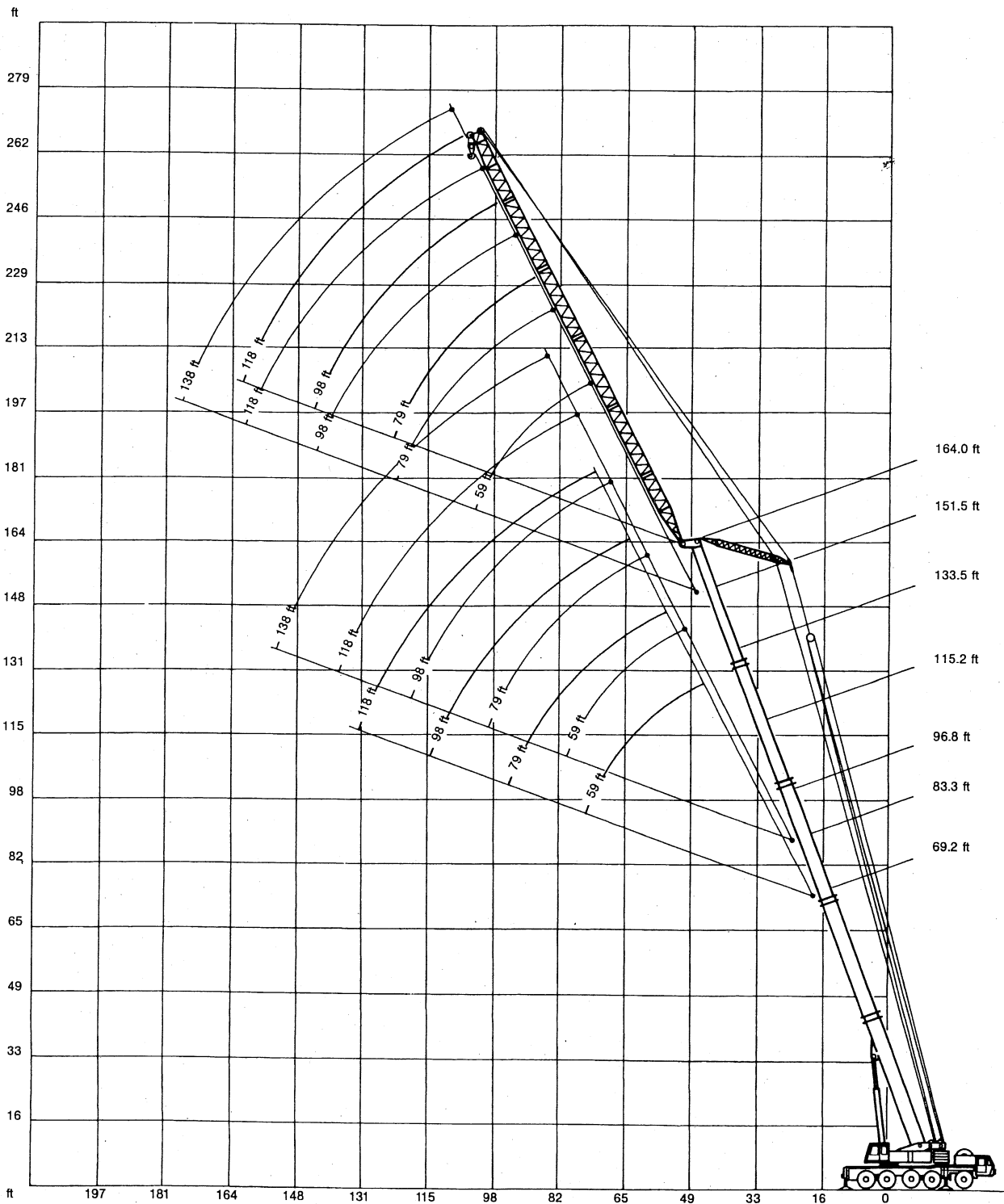
Boom	Radius	Luffing fly jib			
		59.0 ft	79.0 ft	98.0 ft	118.0 ft 138.0 ft
	ft	1,000 lb			
69.2 ft*	26	68.0	-	-	-
	29	67.0	-	-	-
	33	65.5	52.7	-	-
	39	54.0	48.7	37.6	-
	46	44.0	45.1	35.2	24.9
	52	37.5	40.7	33.2	23.8
	59	27.8	34.8	30.4	22.4
	65	-	30.6	28.6	21.0
	72	-	25.7	26.0	19.6
	79	-	-	24.1	18.2
	85	-	-	22.1	17.2
92	-	-	17.5	16.0	
98	-	-	-	15.0	
105	-	-	-	13.8	
111	-	-	-	12.6	
83.3 ft*	26	59.5	-	-	-
	29	59.5	-	-	-
	33	59.4	42.9	-	-
	39	56.4	41.9	32.0	-
	46	47.9	39.6	30.4	23.1
	52	40.5	38.0	29.2	22.1
	59	32.9	35.9	27.5	21.1
	65	-	32.5	26.1	20.3
	72	-	28.3	24.7	19.2
	79	-	21.3	23.0	18.0
	85	-	-	21.4	17.0
92	-	-	19.0	15.8	
98	-	-	14.8	14.8	
105	-	-	-	13.6	
111	-	-	-	12.6	
118	-	-	-	8.3	
124	-	-	-	7.7	
131	-	-	-	7.0	
96.8 ft*	29	50.7	-	-	-
	33	50.7	-	-	-
	39	50.7	35.3	-	-
	46	48.8	34.1	26.4	-
	52	42.2	33.1	25.8	19.8
	59	35.1	31.5	24.9	19.6
	65	-	30.5	23.5	19.0
	72	-	29.1	22.0	18.1
	79	-	23.3	20.9	17.1
	85	-	-	19.8	16.3
	92	-	-	18.4	14.9
98	-	-	16.8	14.3	
105	-	-	-	13.2	
111	-	-	-	12.4	
118	-	-	-	11.4	
124	-	-	-	7.5	
131	-	-	-	6.8	

\*Tele 1 verbolzt · pinned · verrouillé

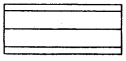
59,500 lb   360° 75%

Boom	Radius	Luffing fly jib			
		59.0 ft	79.0 ft	98.0 ft	118.0 ft 138.0 ft
	ft	1,000 lb			
115.2 ft	33	37.4	-	-	-
	39	36.6	27.6	-	-
	46	35.0	26.6	20.4	-
	52	30.9	26.0	19.8	16.1
	59	25.8	25.3	19.1	15.2
	65	20.4	24.7	18.5	14.6
	72	-	21.6	17.8	14.1
	79	-	18.1	17.1	13.4
	85	-	-	16.5	12.8
	92	-	-	15.8	12.3
	98	-	-	13.4	11.9
105	-	-	-	11.2	
111	-	-	-	10.8	
118	-	-	-	9.7	
124	-	-	-	6.8	
131	-	-	-	6.1	
138	-	-	-	5.4	
133.5 ft	39	27.1	20.7	-	-
	46	25.7	20.0	16.0	-
	52	24.9	19.4	15.6	11.4
	59	24.0	18.7	14.9	11.0
	65	22.4	18.1	14.5	10.8
	72	-	17.6	14.1	10.3
	79	-	17.1	13.8	10.1
	85	-	15.9	13.4	9.9
	92	-	-	13.0	9.6
	98	-	-	12.8	9.4
	105	-	-	11.4	9.0
111	-	-	-	8.8	
118	-	-	-	8.6	
124	-	-	-	5.5	
131	-	-	-	5.5	
138	-	-	-	5.5	
151.5 ft	39	22.1	-	-	-
	46	20.9	15.8	-	-
	52	19.9	15.4	11.0	-
	59	19.1	15.2	11.0	5.5
	65	18.3	15.0	11.0	5.5
	72	-	14.5	11.0	5.5
	79	-	14.3	10.7	5.5
	85	-	14.1	10.5	5.5
	92	-	-	10.3	5.5
	98	-	-	9.9	5.5
	105	-	-	9.6	5.5
111	-	-	-	5.5	
118	-	-	-	5.5	
124	-	-	-	5.5	
131	-	-	-	2.2	
138	-	-	-	2.2	
164.0 ft	39	-	-	-	-
	46	-	11.2	-	-
	52	-	11.2	7.7	-
	59	-	11.2	7.7	2.2
	65	-	11.2	7.7	2.2
	72	-	11.2	7.7	2.2
	79	-	11.2	7.7	2.2
	85	-	10.8	7.7	2.2
	92	-	-	7.7	2.2
	98	-	-	7.7	2.2
	105	-	-	7.7	2.2
111	-	-	-	2.2	
118	-	-	-	2.2	
124	-	-	-	2.2	

# Working range luffing fly jib, main boom 70°

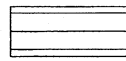


# Lifting capacities luffing fly jib, main boom 70°, in 1,000 lb

**59,500 lb**  **360° 75%**

Boom	Radius	Luffing fly jib				
		59.0 ft	79.0 ft	98.0 ft	118.0 ft	138.0 ft
	ft	1,000 lb				
<b>69.2 ft*</b>	52	46.5	-	-	-	-
	59	39.5	-	-	-	-
	65	35.0	34.5	-	-	-
	72	30.7	30.3	26.0	-	-
	79	-	27.0	24.1	-	-
	85	-	24.5	22.1	17.0	-
	92	-	22.2	20.2	15.8	-
	98	-	-	19.2	14.8	-
	105	-	-	18.2	13.6	-
	111	-	-	17.0	12.6	-
	118	-	-	-	12.3	-
	124	-	-	-	12.1	-
<b>83.3 ft*</b>	59	38.1	-	-	-	-
	65	33.7	33.2	-	-	-
	72	29.6	29.2	-	-	-
	79	26.3	25.9	23.0	-	-
	85	-	23.4	21.4	17.0	-
	92	-	21.3	19.8	15.8	-
	98	-	19.7	18.3	14.8	10.4
	105	-	-	17.4	13.6	9.6
	111	-	-	16.2	12.6	9.0
	118	-	-	-	12.3	8.3
	124	-	-	-	12.1	7.7
	131	-	-	-	11.7	7.0
<b>96.8 ft*</b>	138	-	-	-	-	6.8
	144	-	-	-	-	6.4
	151	-	-	-	-	6.1
	65	31.8	-	-	-	-
	72	27.8	27.4	-	-	-
	79	24.8	24.3	-	-	-
	85	-	22.1	19.9	-	-
	92	-	20.0	18.4	14.0	-
	98	-	18.4	17.2	13.2	-
	105	-	-	16.3	12.7	9.4
	111	-	-	15.1	12.1	8.6
	118	-	-	13.9	11.6	8.1
124	-	-	-	11.2	7.5	
131	-	-	-	10.8	6.8	
138	-	-	-	10.3	6.3	
144	-	-	-	-	5.9	
151	-	-	-	-	5.7	
157	-	-	-	-	5.5	

\* Tele 1 verbolzt - pinned - verrouillé

**59,500 lb**  **360° 75%**

Boom	Radius	Luffing fly jib				
		59.0 ft	79.0 ft	98.0 ft	118.0 ft	138.0 ft
	ft	1,000 lb				
<b>115.2 ft</b>	72	28.3	-	-	-	-
	79	25.0	-	-	-	-
	85	22.8	22.3	-	-	-
	92	-	20.2	15.8	-	-
	98	-	18.6	15.0	11.9	-
	105	-	16.9	14.7	11.2	-
	111	-	-	14.3	10.8	7.7
	118	-	-	13.8	10.1	7.2
	124	-	-	13.2	9.7	6.8
	131	-	-	-	9.2	6.1
	138	-	-	-	9.0	5.5
	144	-	-	-	8.6	5.3
<b>133.5 ft</b>	151	-	-	-	-	5.0
	157	-	-	-	-	4.8
	164	-	-	-	-	4.6
	79	22.0	-	-	-	-
	85	21.2	16.7	-	-	-
	92	19.3	16.0	-	-	-
	98	-	15.8	12.8	-	-
	105	-	15.6	12.5	9.0	-
	111	-	14.8	12.3	8.8	-
	118	-	-	12.1	8.6	5.0
	124	-	-	11.9	8.4	5.0
	131	-	-	11.4	7.9	4.8
<b>151.5 ft</b>	138	-	-	-	7.4	4.8
	144	-	-	-	7.2	4.6
	151	-	-	-	7.0	4.6
	157	-	-	-	-	4.4
	164	-	-	-	-	4.1
	170	-	-	-	-	4.1
	85	13.2	-	-	-	-
	92	13.2	-	-	-	-
	98	13.2	12.7	-	-	-
	105	-	12.7	9.7	-	-
	111	-	12.7	9.7	4.8	-
	118	-	12.5	9.4	4.8	-
<b>164.0 ft</b>	124	-	-	9.4	4.8	2.2
	131	-	-	9.2	4.8	2.2
	138	-	-	9.0	4.8	2.2
	144	-	-	-	4.8	2.2
	151	-	-	-	4.8	2.2
	157	-	-	-	4.8	2.2
	164	-	-	-	-	2.2
	170	-	-	-	-	2.2
	177	-	-	-	-	2.2
	98	-	9.2	-	-	-
	105	-	8.8	5.7	-	-
	111	-	8.6	5.7	-	-
118	-	8.3	5.7	2.2	-	
124	-	8.3	5.7	2.2	-	
131	-	-	5.7	2.2	-	
138	-	-	5.7	2.2	-	
144	-	-	5.7	2.2	-	
151	-	-	-	2.2	-	
157	-	-	-	2.2	-	