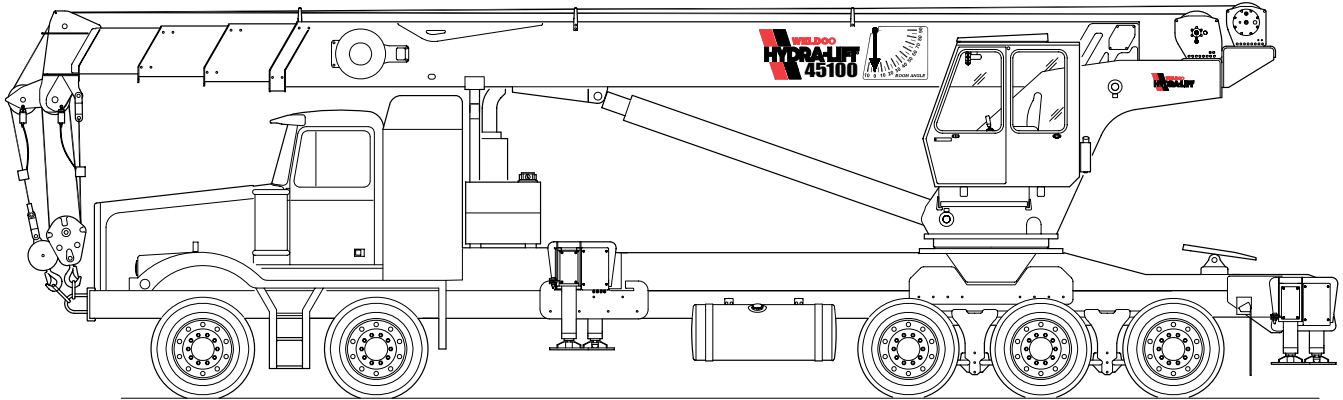


# WHL45TC100

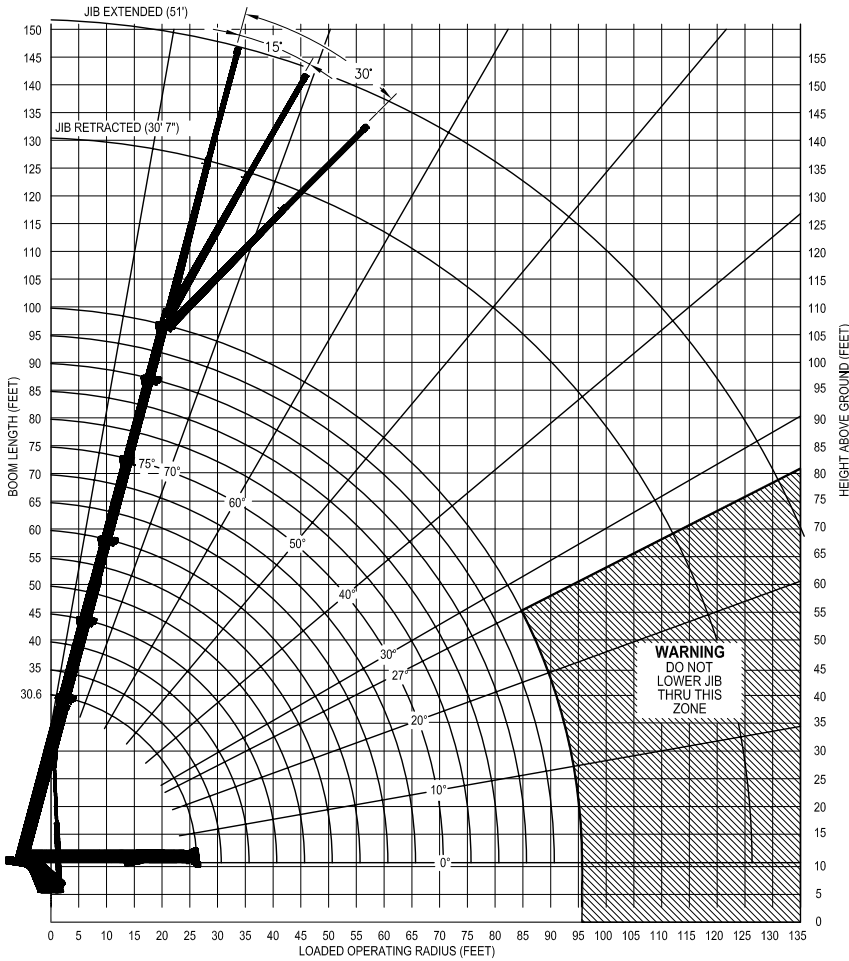


With a 45-ton lifting capacity, long reach and a sub-frame suitable for fifth wheel installation, the Hydra-Lift WHL45TC100 Swing Cab Crane offers heavy lifting and versatility. Out and down outriggers with independently operated horizontal extension cylinders and vertical jack cylinders, give the operator true stability on uneven surfaces or in tight locations. The fully equipped cab provides the operator with a comfortable working environment in all weather conditions. Mounted on a tandem steer tri-drive rear axle chassis with fifth wheel, or a single steer tri-drive rear axle chassis, or tandem steer tandem rear axle chassis without fifth wheel, the WHL45TC100 Crane is truly capable of heavy lifting and heavy hauling.

## Features:

- 45 ton lifting capacity
- 110' tip height (fully extended)
- 4 section 100' fully proportional boom
- 30.5' retracted length
- Continuous rotation
- 15,000 lb, 2 speed grooved drum planetary winch with integral brake for high efficiency and security
- Tapered rear subframe for fifth wheel installation
- Out and down outriggers
- Dual fan oil cooler
- High strength box construction, welded booms for maximum strength to weight ratio
- A2B and LMI systems

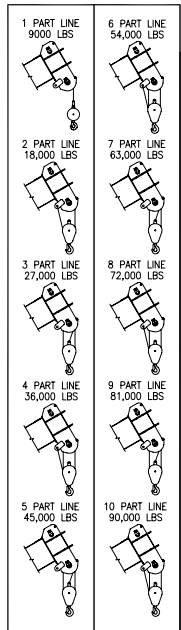
# WHL45TC100 - LOAD OPERATING RADIUS (FEET)



MAXIMUM RATED LOAD IN LBS. WITH OUTRIGGERS AT FULL SPREAD														
LOADED OPERATING RADIUS	LOADED BOOM ANGLE	RETRACTED BOOM LENGTH	LOADED BOOM ANGLE	BOOM LENGTH	LOADED BOOM ANGLE	BOOM LENGTH	LOADED BOOM ANGLE	BOOM LENGTH	LOADED BOOM ANGLE	BOOM LENGTH	LOADED BOOM ANGLE	BOOM LENGTH	LOADED BOOM ANGLE	EXTENDED BOOM LENGTH
FEET	△°	30'7"	△°	45'	△°	60'	△°	75'	△°	90'	△°	100'	△°	100'
5	73	89,999												
8	67	89,999												
10	63	80,000	72	51,000										
12	58	70,000	69	51,000										
15	51	56,000	65	51,000	72	40,000								
20	37	42,000	58	42,500	67	38,000	71	27,500						
25	17	30,000	50	35,250	61	30,500	67	24,500	71	24,300	73	18,000		
30			41	29,500	56	27,100	63	21,500	68	21,300	70	17,500		
35			30	24,500	50	24,200	59	19,100	65	19,100	67	16,250		
40			11	20,700	43	21,200	54	17,000	61	17,000	64	14,700		
45					35	17,500	49	15,250	57	15,250	61	13,300		
50					26	14,500	44	13,800	53	13,800	57	12,150		
55					13	12,300	38	12,400	49	12,600	54	11,100		
60							31	10,500	45	10,700	50	10,200		
65							23	9,900	35	8,000	42	7,900		
70									29	6,900	38	6,900		
75									21	6,000	33	6,000		
80											27	5,200		
85												20	4,600	
90														
DEDUCTIONS FOR STOWED TELESCOPIC JIB		1400 LBS		875 LBS		640 LBS		540 LBS		440 LBS		390 LBS		

MAXIMUM RATED LOAD IN LBS. WITH INTERMEDIATE SPREAD OUTRIGGERS														
LOADED OPERATING RADIUS	LOADED BOOM ANGLE	RETRACTED BOOM LENGTH	LOADED BOOM ANGLE	BOOM LENGTH	LOADED BOOM ANGLE	BOOM LENGTH	LOADED BOOM ANGLE	BOOM LENGTH	LOADED BOOM ANGLE	BOOM LENGTH	LOADED BOOM ANGLE	BOOM LENGTH	LOADED BOOM ANGLE	EXTENDED BOOM LENGTH
FEET	△°	30'7"	△°	45'	△°	60'	△°	75'	△°	90'	△°	100'	△°	100'
5	73	89,999												
8	67	89,999												
10	63	80,000	72	51,000										
12	58	70,000	69	51,000										
15	51	56,000	65	51,000	72	40,000								
20	37	34,400	58	35,700	67	36,500	71	27,500						
25	17	22,500	50	23,500	61	23,900	67	24,100	71	24,300	73	18,000		
30			41	16,900	56	17,400	63	17,500	68	17,800	70	17,500		
35			30	12,700	50	13,200	59	13,400	65	13,700	67	13,400		
40			11	9,800	43	10,200	54	10,400	61	10,600	64	10,600		
45					35	8,100	49	8,500	57	8,500	61	8,500		
50					26	6,500	44	6,700	53	6,800	57	6,700		
55					13	5,300	38	5,400	49	5,600	54	5,600		
60							31	4,400	45	4,600	50	4,500		
65									23	3,500	40	3,700	46	3,600
70											35	3,000	42	2,900
75											29	2,400	38	2,400
80											21	1,900	33	1,800
85												27	1,400	
90													20	1,000
DEDUCTIONS FOR STOWED TELESCOPIC JIB		1400 LBS		875 LBS		640 LBS		540 LBS		440 LBS		390 LBS		

MAXIMUM RATED LOAD IN LBS. WITH OUTRIGGERS AT FULL SPREAD													
30'7"/51' TELESCOPIC ORIENTABLE JIB													
LOADED OPERATING RADIUS	RETRACTED JIB						EXTENDED JIB						
	0° OFFSET		15° OFFSET		30° OFFSET		0° OFFSET		15° OFFSET		30° OFFSET		
	LOADED BOOM ANGLE	LOAD	LOADED BOOM ANGLE	LOAD	LOADED BOOM ANGLE	LOAD	LOADED BOOM ANGLE	LOAD	LOADED BOOM ANGLE	LOAD	LOADED BOOM ANGLE	LOAD	
FEET	△°	LB	△°	LB	△°	LB	△°	LB	△°	LB	△°	LB	
40	70	8,500											
45	68	8,320	71	7,650	74	5,800	71	5,600					
50	63	7,800	69	7,150	72	5,800	69	5,800	74	4,550			
55	63	7,300	66	6,700	69	5,700	67	5,600	72	4,300			
60	61	6,800	64	6,300	67	5,550	65	5,300	70	4,100	74	3,350	
65	58	6,350	61	5,900	64	5,350	63	4,950	68	3,900	72	3,250	
70	55	5,700	59	5,350	61	5,200	61	4,700	65	3,750	70	3,150	
75	53	5,350	56	5,100	58	4,850	58	4,400	63	3,550	67	3,050	
80	50	4,850	53	4,550	56	4,600	56	4,150	61	3,450	65	2,950	
85	47	4,400	50	4,100	53	4,100	54	3,950	59	3,300	63	2,850	
90	44	4,000	47	3,700	49	3,550	51	3,750	56	3,150	60	2,800	
95	41	3,850	44	3,350	46	3,200	48	3,550	54	3,050	57	2,700	
100	37	3,350	40	3,000	42	2,800	48	3,350	51	2,950	55	2,650	
105	33	2,900	36	2,650	38	2,450	44	3,150	48	2,850	52	2,600	
110	28	2,400	32	2,400	33	2,150	41	2,900	45	2,750	49	2,550	
115			27	2,050	28	1,900	38	2,750	42	2,670	46	2,500	
120							35	2,550	39	2,500	42	2,450	
125									36	2,350	38	2,350	
130									32	2,100	34	2,100	
135									27	1,800	28	1,800	



MAXIMUM RATED LOAD IN LBS. WITH LOAD OVER THE BACK															
LOADED OPERATING RADIUS	LOADED BOOM ANGLE	RETRACTED BOOM LENGTH	LOADED BOOM ANGLE	BOOM LENGTH	LOADED BOOM ANGLE	BOOM LENGTH	LOADED BOOM ANGLE	BOOM LENGTH	LOADED BOOM ANGLE	BOOM LENGTH	LOADED BOOM ANGLE	BOOM LENGTH	LOADED BOOM ANGLE	EXTENDED BOOM LENGTH	
FEET	△°	30'7"	△°	45'	△°	60'	△°	75'	△°	90'	△°	100'	△°	100'	
5	73	89,999													
8	67	89,999													
10	63	80,000	72	51,000											
12	58	70,000	69	51,000											
15	51	56,000	65	51,000	72	40,000									
20	37	42,000	58	42,500	67	38,000	71	27,500							
25	17	30,000	50	35,100	61	30,500	67	24,500	71	24,300	73	18,000			
30			41	29,500	56	27,100	63	21,500	68	21,300	70	17,500			
35			30	24,500	50	24,200	59	19,100	65	19,100	67	16,250			
40			11	20,700	43	21,200	54	17,000	61	17,000	64	14,300			
45					35	18,250	49	15,250	57	15,250	61	12,700			
50					26	15,900	44	13,800	53	13,800	57	11,450			
55					13	14,000	38	12,600	49	12,600	54	10,400			
60							31	11,500	45	11,500	50	9,500			
65									23	10,600	40	10,600	46	8,700	
70											35	10,000	42	8,100	
75											29	8,150	38	7,600	
80											21	7,550	33	7,100	
85													27	6,600	
90														20	6,200
DEDUCTIONS FOR STOWED TELESCOPIC JIB		1400 LBS		875 LBS		640 LBS		540 LBS		440 LBS		390 LBS			

**NOTE:** Deductions must be made from rated loads for lifting accessories: Fixed jibs, telescopic jibs, overhaul balls, load hooks, snatch blocks and load blocks.