

HYVA[®] CRANE HA 33

MODELS	LIFTING MOMENT	MAX VERTICAL REACH	SLEWING ANGLE	SLEWING TIME	MAX WORKING HEEL	WORKING PRESSURE	CRANE WEIGHT WITHOUT STABILIZERS	OIL TANK CAPACITY	OIL FLOW	DIMENSIONS
	T.m	m	°	s/180°	°	bar	kg	l.	l/min	mm. B x h x S
HA 33 E1	3,45	3,92	395	15	3	175	305	17,5	10	976x1702x490
HA 33 E2	-	4,95	395	15	3	175	339	17,5	10	1040x1702x490
HA 33 E3	-	6,00	395	15	3	175	371	17,5	10	1040x1702x490
HA 33 E4	-	7,02	395	15	3	175	399	17,5	10	1040x1702x490

ACCESSORIES

Supplementary element activation*
Manual extensions
Manual turning stabilizers
Tubular base stabilizers
Oil tank
Electro-hydraulic powerpack

ACCESSOIRES

Activation éléments supplémentaires*
Rallonges mécaniques manuelles
Stabilisateurs pivotants manuels
Béquilles à section tubulaire
Réservoir pour huile
Pompe électro-hydraulique

ZUBEHOERE

Zusatzfunktionen*
Manuell mechanische Verlängerungen
Manuell drehbare Abstützbeine
Rohrenfoermige Abstütztraverse
Ölbehälter
Elektro-hydraulisches Schaltgerät

ACCESORIOS

Ativação de elementos suplementares*
Prolongações mecânicas manuais
Estabilizadores giratórios manuais
Estabilizadores de base tubular
Tanque de óleo
Central electro-hidraulica

(*) No E4

Data, descriptions and illustrations are merely indicative and not binding. Cranes manufactured and/or marketed by HYVA - Les données, descriptions et illustrations sont uniquement indicatives et n'engagent pas HYVA. Grues produites et/ou vendues par HYVA - Angaben, Beschreibungen und Abbildungen sind weisend und verpflichten nicht HYVA. Die Kräne werden von HYVA hergestellt und/oder vermarktet - Os dados as descrições e ilustrações são indicativos e não comprometem HYVA. Guindaste produzidos e/ou comercializados pela HYVA.

HYVA[®] CRANE



HYVA International B.V.
Ondernemingsweg 1
2404 HM Alphen aan den Rijn
The Netherlands
Telephone: (31)172 - 42 35 55
Telefax: (31)172 - 43 31 96
info@hyva.com
www.hyvacrane.com



Electro-hydraulic powerpack, Pompe électro-hydraulique
Elektro-hydraulisch Schaltgerät, Central electro-hidraulica

DEALER

**HYVA an ISO 9001
certified company
since 1991**

HA 33

HA

HA 33X

HYVA[®] CRANE



HA 33

HYVA MOVES YOUR WORLD

HYVA[®] CRANE HA 33



- Load limiting device (CE)
- Control panel with customised position
- Controls guard panel by ABS
- Worm screw slewing
- Independent telescopic cylinders
- Hexagonal section extensions
- Fittings SAE-JIC
- Design in accordance with:
DIN15018 - EN12999
- Fatigue test classification: B3



- Limiteur de moment (CE)
- Panneau de commandes à positionner selon la demande
- Enveloppe de protection commande en ABS
- Rotation par vis sans fin
- Extensions à section hexagonale
- Vérins hydrauliques indépendants
- Tujauterie SAE-JIC
- Normes de calcul: DIN15018 - EN12999
- Essai de fatigue avec classification: B3

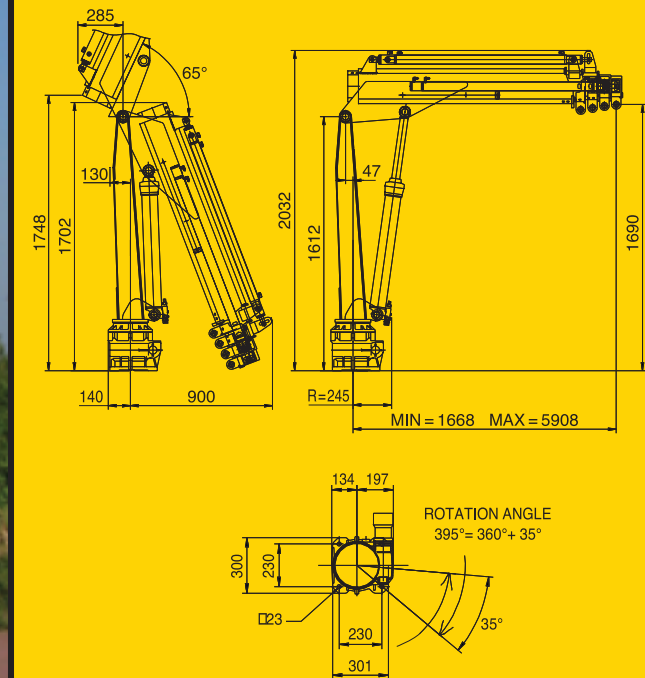


- Momentbegrenzer (CE)
- Bedienungslage nach Wunsch
- Bedienungsschutz durch ABS
- Drehung durch Schnecke
- Unabhängige hydraulische Heber
- Sechskantige Ausschübe
- Anschlüsse SAE-JIC
- Berechnungsnorm nach:
DIN15018 - EN12999
- Ermüdungstest in Klasse: B3



- Limitador de momento (CE)
- Painel de comandos a posicionar a pedido
- Caixa de protecção dos comandos em ABS
- Rotação em contínuo
- Cilindros telescópicos independentes
- Extensões sextavadas
- Conexões SAE-JIC
- Norma de projeto:
DIN15018 - EN12999
- Tipo de Ensayo a la fatiga: B3

Model	2420	1390	940	690	530	405
HA33 E1	1.42	2.48	3.62	4.75	5.89	6.99
HA33 E2	1.50	2.56	3.62	4.75	5.89	6.99
HA33 E3	1.57	2.63	3.69	4.75	5.89	6.99
HA33 E4	1.65	2.71	3.77	4.83	5.89	6.99



HA33 X

- Compact dimensions and reduced weight
- Proportional speed control of any single movement
- Stabilizer control by radio

- Thanks to their extremely compact dimensions all the cranes in the HA series are projected to be mounted on small equipment such as: car trailer, tracked vehicle, pickup, small trucks and stationary mounting;
- Control panel with customised position in order to always have the more ergonomic position;
- Hexagonal extensions with sliding pads allows to always have rigid and aligned boom.