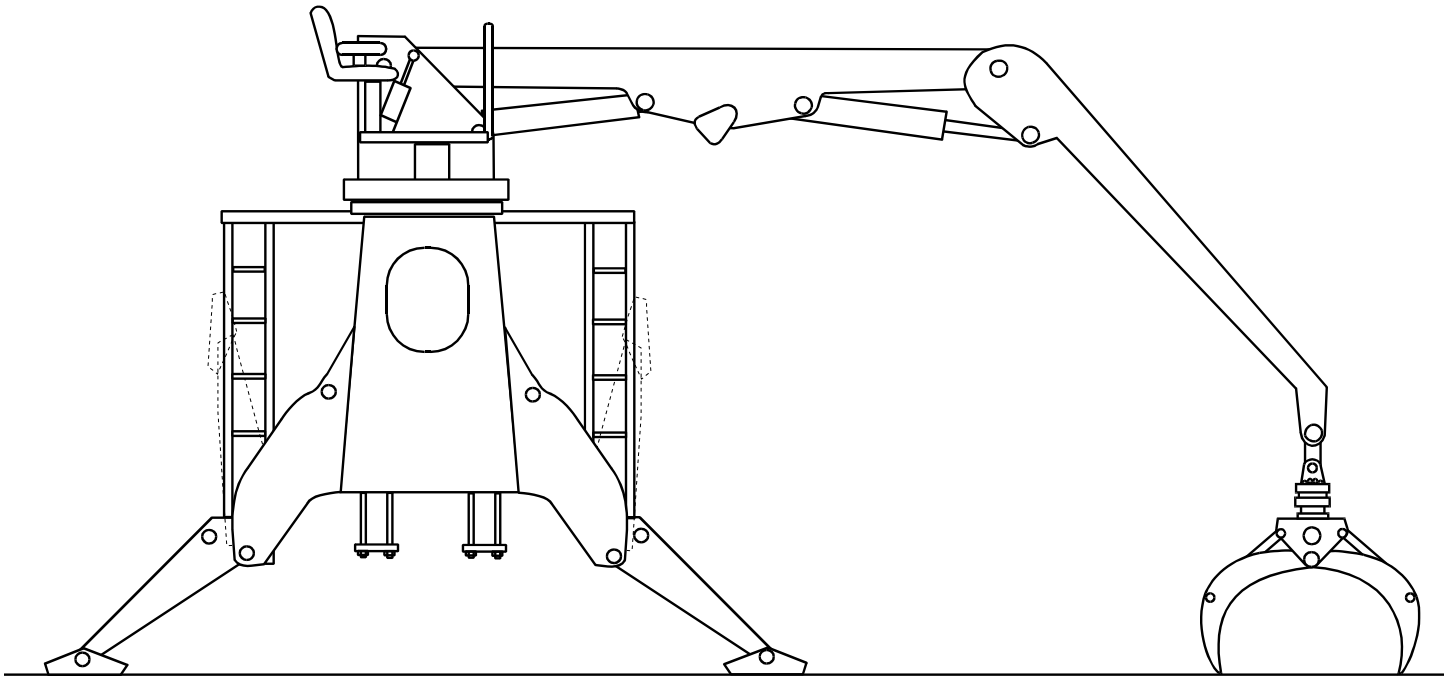




# BARKO 160A BACK OF CAB



## STANDARD SPECIFICATIONS & FEATURES

### Maximum Lift Capacity

27' 0" straight boom, less attachment:

Radius	Lift
10'(3.05m)	18,860lbs.(7,995 kg)
15'(4.57m)	12,730lbs.(5,645 kg)
20'(6.10m)	9,580lbs.(4,270 kg)
Full Reach	5,760lbs.(2,610 kg)

### Boom Data

Standard 27' straight boom lengths:

- Main boom: 15' 6" (4.72 m)
- Stick boom: 11' 6" (3.50 m)

Boom structure: Fabricated tube type design of all welded construction.  
Bronze bushings with grease grooves at boom pivot points.

### Boom Reach

(based on 44" high truck frame)  
Standard 27' straight boom:

Horizontal (from pivot): 26' 4" (8.03 m)  
Vertical (from ground): 36' 3" (11.05 m)

### Cylinders

Hydraulic cylinders with wear rings on glands and pistons for long wear.  
All cylinders are made of heavy wall honed steel tubing. Heat treated cylinder rods have heavy chrome plating.

Main boom: two 6" x36" (152.4 mm x 914.4 mm) with 2.5" (63.5 mm) rods.  
Stick boom: one 7" x 30" (177.8 mm x 762.0 mm) with 3" (76.2 mm) rods.

### Power Source

Customer supplied Power Take Off.

### Swing System

Continuous rotation on 39" (991.0 mm) turntable bearing powered by twin motors and planetary swing drives.  
Independent swing system with direct-linked foot controls.

### Hydraulic System

42 gallon (159 L) hydraulic reservoir with externally serviceable suction screens, 33 micron return line filter and sight gauge.

Control valves: sectional type with mechanical joysticks.

Pump: One triple gear pump producing 31/23/14.5 GPM (118/87/55 LPM) at 1500 RPM.

Rotary manifold to allow continuous rotation.

Heavy-wall tubing and 4-spiral wire hose throughout system.

Main system operating pressure 2,000 PSI (13,790 KPA).

### Stabilizers

One set of independently operated 13' 4" (4.06 m) foldaway stabilizers using two 6" x 17" (152.0 mm x 432.0 mm) cylinders with 3" (76 mm) rods and bolt-on load locks.

# BARKO 160A BACK OF CAB

## Operator's platform

Rotating platform with beneath-the-seat style valve mounting and foot swing pedals.  
Fold-down seat with arm rests.

## Mounting Data

Mounting bolts and support plates are supplied.

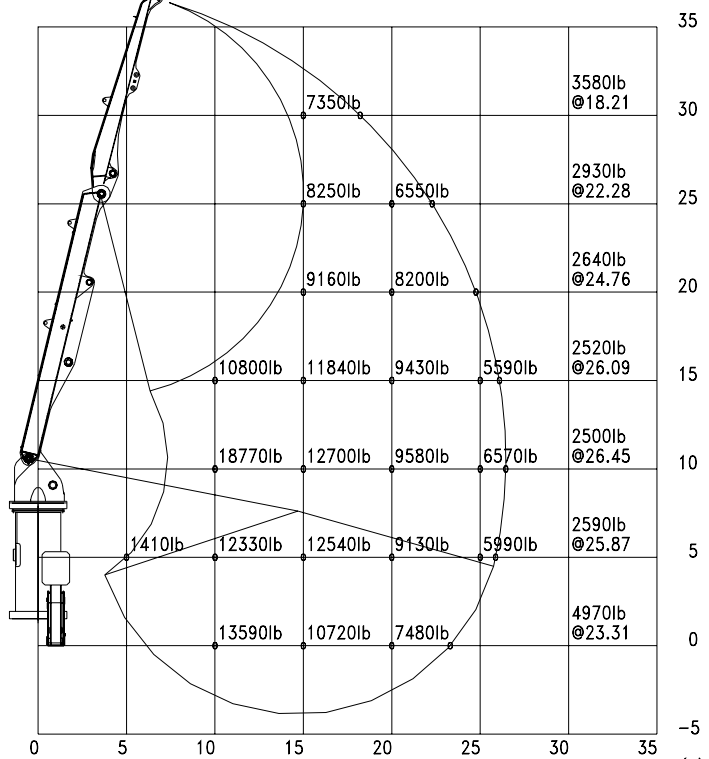
## Options/Accessories

Main and stick boom heel racks.  
Log rest.

## Miscellaneous

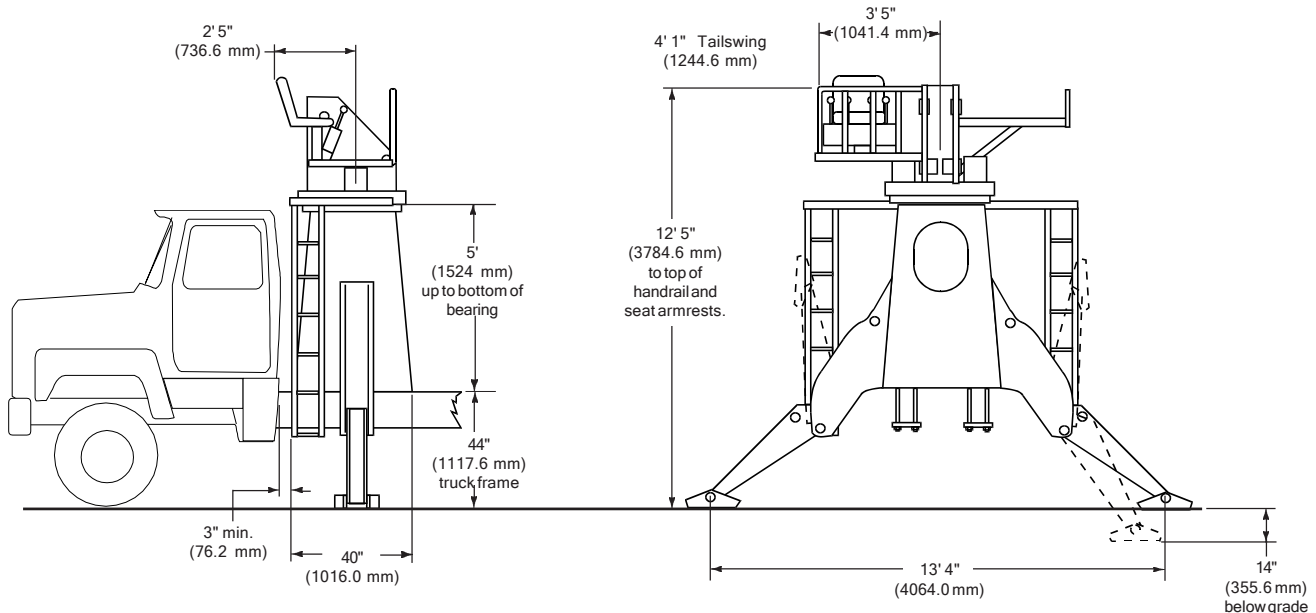
Weight with standard equipment, less attachment and oil: 9,750 lbs.

## 27' STRAIGHT BOOM WORKING RANGE



12-07-2005 14:29:27 CAPACITIES BASED ON 100% HYDRAULIC EFFICIENCY (S)  
160A BOC 27'-0" STRAIGHT BOOM  
SYSTEM PRESSURES 2000 PSI, Based on 44" high truck frame

Capacities are based on 100% hydraulic efficiency less attachment.



Barko Hydraulics reserves the right to change specifications and prices without notice in order to follow its policy of constantly striving to manufacture a better product without incurring any liability to provide these new features on any units previously manufactured.

Distributor:



**BARKO HYDRAULICS, LLC**

One Banks Ave., Superior, WI 54880  
(715) 392-5641 FAX: (715) 392-3931  
<http://www.barko.com>