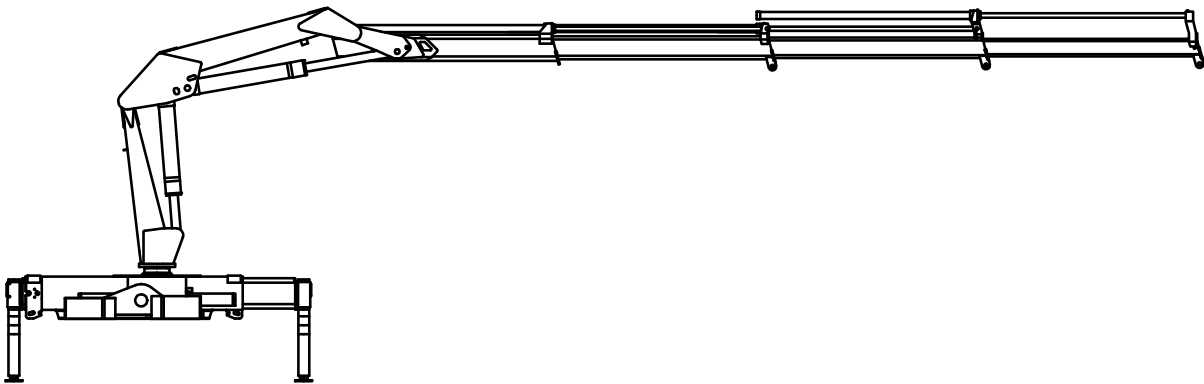


IMT

MATERIAL HANDLING SYSTEMS

Repair Parts *Model 6/39 Crane*



IOWA MOLD TOOLING CO., INC.

BOX 189, GARNER, IA 50438-0189

641-923-3711

TECHNICAL SUPPORT FAX: 641-923-2424

MANUAL PART NUMBER: 99904678

Iowa Mold Tooling Co., Inc. is an Oshkosh Corporation company.

In addition to the information presented in this manual, read and understand the IMT Crane Operator's Safety Manual before operating or performing any maintenance on your crane.

REVISIONS LIST

DATE	LOCATION	DESCRIPTION OF CHANGE
20091204	THROUGHOUT	ADDED 2009 COMPONENTS AND ASSEMBLIES

TABLE OF CONTENTS

REVISIONS LIST	2
INTRODUCTION	4
BASE	5
ROTATION (SLEWING) SYSTEM-400°	6
MAST (COLUMN)	7
INNER (MAIN) BOOM	8
OUTER (JIB) BOOM	9
1ST STG EXT BOOM	10
2ND STG EXT BOOM	11
3RD STG EXT BOOM	12
4TH STG EXT BOOM	13
HOOK SUSPENSION	14
MANUAL EXTENSIONS-1H	15
MANUAL EXTENSIONS-2H	16
MANUAL EXTENSIONS-3H	17
MANUAL EXTENSIONS-4H	18
INNER BOOM CYLINDER C100-600	19
OUTER (JIB) BOOM CYLINDER C100-760	20
EXTENSION CYLINDER C50-1700 (Ø35/Ø20)	21
EXTENSION CYLINDER C50-1700 (Ø30/Ø16)	22
EXTENSION CYLINDER C50-1700 (Ø30)	23
STABILIZER CYLINDER C80-640	24
STABILIZER BEAM SV	25
STABILIZER BEAM SR	26
STABILIZER BEAM DV	27
STABILIZER BEAM DR	28
VALVE GROUP-RS150	29
VALVE BRACKET & DUAL CONTROL-RS150	30
CONTROL VALVE, M50	31
VALVE BRACKET & DUAL CONTROL-M50	32
VALVE BRACKET & DUAL CONTROL-M50	33
VALVE BLOCK FOR SERIAL CONNECTION	34
ELECTRO-HYDRAULIC NEM-KIT (NEM RADIO REMOTE CONTROL)	35
HYDRAULIC SYSTEM-PUMP & TANK-RS150	36
HYDRAULIC SYSTEM-PUMP & TANK-M50	37
HYDRAULIC SYSTEM-ROTATION CYLINDER-RS150	38
HYDRAULIC SYSTEM-ROTATION CYLINDER WITH LHV, M50	39
HYDRAULIC SYSTEM-INNER BOOM CYLINDER-C100-600	40
HYDRAULIC SYSTEM-BOOM CYLINDER-C=6 O'CLOCK, M50	41
HYDRAULIC SYSTEM-BOOM CYLINDER-C=KL: 12 O'CLOCK, M50	42
HYDRAULIC SYSTEM-OUTER BOOM CYLINDER-C100-760	43
HYDRAULIC SYSTEM-EXT CYLINDER-1H-C50-1700	44
HYDRAULIC SYSTEM-EXT CYLINDER-2H-C50-1700	45
HYDRAULIC SYSTEM-EXT CYLINDER-3H-C50-1700	46
HYDRAULIC SYSTEM-EXT CYLINDER-4H-C50-1700	47
HYDRAULIC SYSTEM-STABILIZERS-TYPE SV/SR	48
HYDRAULIC SYSTEM-STABILIZERS-TYPE DV/DR	49
DECAL PLACEMENT, 6/39 CRANE (99904679)	50
MOUNTING FITTINGS	51
DUAL CONTROL 2 STABILIZER VALVES	52
DUAL CONTROL FOR SERIAL CONNECTION, m50	53
SERIES CONNECTION PARTS-RS150	54
SERIES CONNECTION PARTS-RS150 (FROMs/n 630342)	55
SERIES CONNECTION PARTS-M50	56
EXTRA VALVES-1H	57
EXTRA VALVES-2H	58
EXTRA VALVES-3H	59
EXTRA VALVES-4H	60

PARTS-4 INTRODUCTION

GENERAL

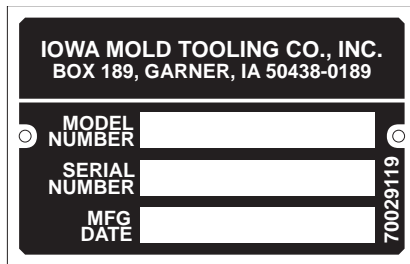
This manual contains the parts drawings with accompanying parts lists for the assemblies used on this crane. These drawings are intended to be used in conjunction with the instructions found in the Instruction Manual.

WARNING

DO NOT ATTEMPT TO REPAIR ANY COMPONENT WITHOUT READING THE INFORMATION CONTAINED IN THE INSTRUCTION MANUAL. PAY PARTICULAR ATTENTION TO THE WARNINGS, CAUTIONS AND NOTES CONTAINED IN THAT MANUAL. FAILURE TO COMPLY WITH THESE INSTRUCTIONS MAY RESULT IN DAMAGE TO THE EQUIPMENT, AN INJURY OR EVEN DEATH.

CRANE IDENTIFICATION

Every crane has a serial number placard attached to the base, mast, or lower boom. When ordering parts, communicating warranty information or referring to the unit in correspondence, always include the assigned serial number and model number as shown on the serial number placard.



SERIAL NUMBER PLACARD

ORDERING REPAIR PARTS

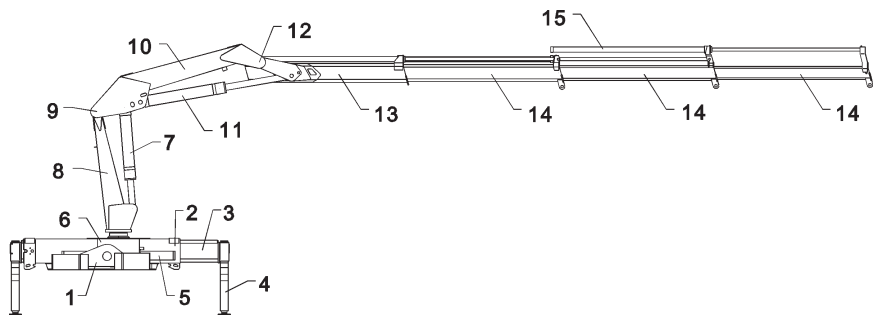
When ordering replacement parts:

1. Give the model number of the unit.
2. Give the serial number of the unit.
3. Specify the complete part number. When ordering complete cylinders or assemblies, identify the cylinder or assembly by name.
4. Give a complete description of the part.
5. Specify the quantity required.

All inquiries should be addressed to:

**Iowa Mold Tooling Co., Inc.
Box 189, Garner, IA 50438-0189
Telephone: 641-923-3711
Technical Support Fax: 641-923-2424**

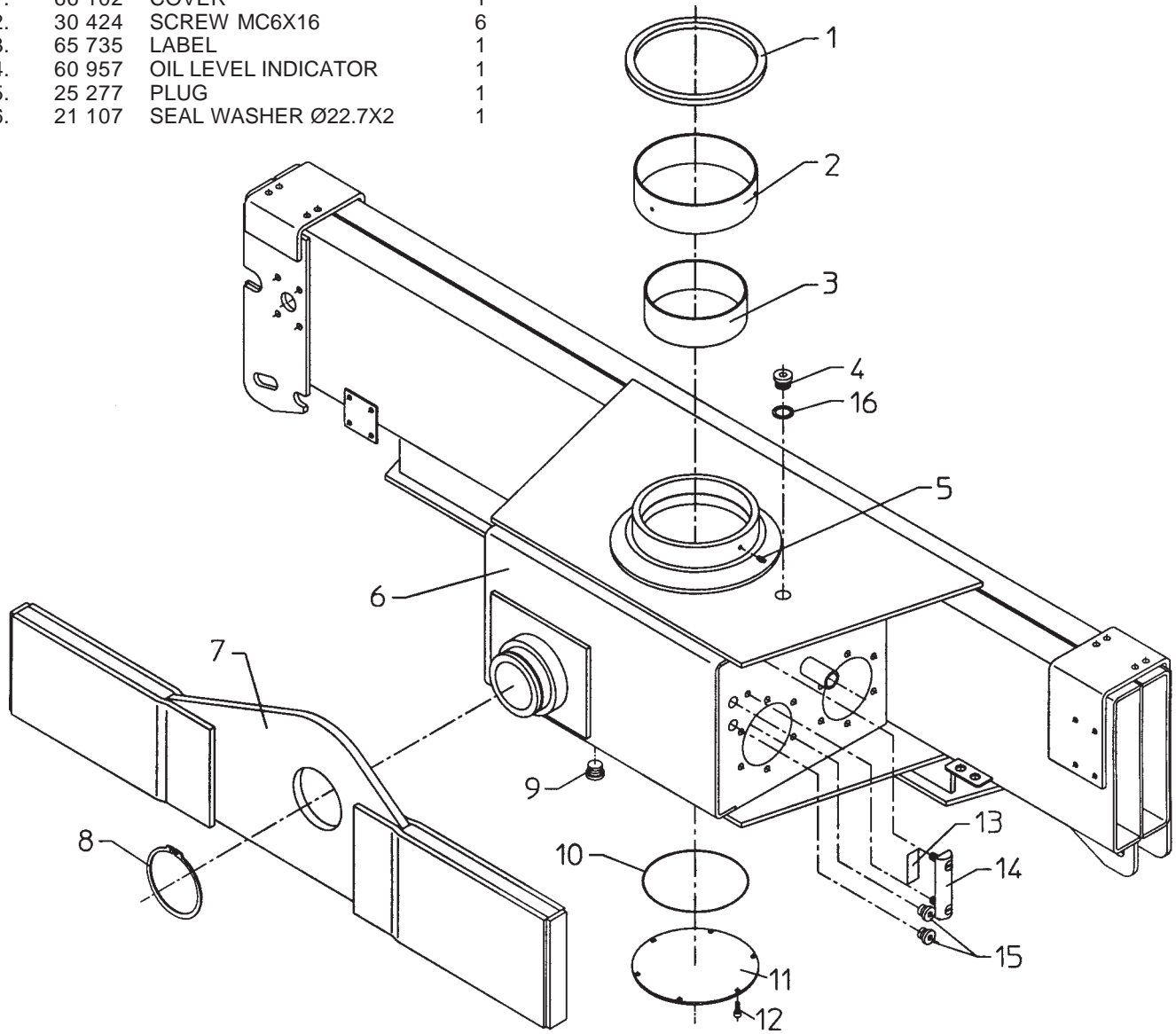
1. Suspension traverse
2. Control valve block
3. Stabilizer beam
4. Stabilizer leg
5. Rotation/Slewing cylinder
6. Base
7. Inner/Boom cylinder
8. Mast/Column
9. Hinge pin
10. Inner/Main boom
11. Outer/Jib cylinder
12. Outer/Jib pin
13. Outer boom/Jib
14. Extension boom
15. Extension cylinder



COMPONENT REFERENCE

BASE

1.	13 00 664	BEARING	1
2.	13 00 654	BEARING	1
3.	23 907	BUSHING	1
4.	26 155	PLUG M22X1.5	1
5.	31 329	ZERK M6X1-0	1
6.	13 00 952	BASE	1
7.	12 71 732	SUSPENSION TRAVERSE	1
8.	33 139	CIRCLIP 70U	1
9.	25 103	PLUG	1
10.	20 201	O-RING 139.5X3	1
11.	66 102	COVER	1
12.	30 424	SCREW MC6X16	6
13.	65 735	LABEL	1
14.	60 957	OIL LEVEL INDICATOR	1
15.	25 277	PLUG	1
16.	21 107	SEAL WASHER Ø22.7X2	1

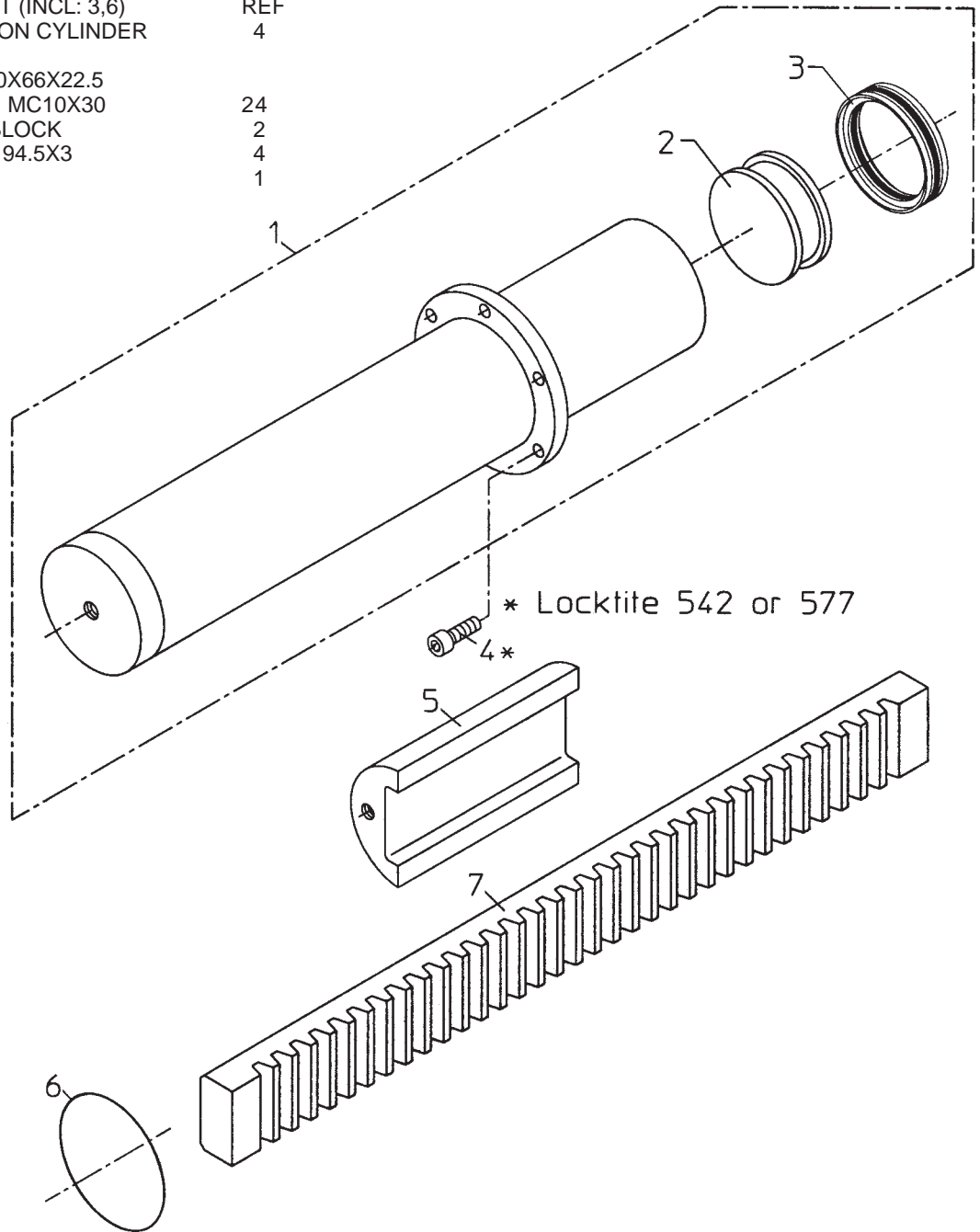


6/39: 451 01 100: 19990630

PARTS-6

ROTATION (SLEWING) SYSTEM-400°

		REF
68 93 030	SEAL KIT (INCL: 3,6)	
1. 13 00 644	ROTATION CYLINDER	4
2. 12 61 444	PISTON	24
3. 20 785	SEAL 80X66X22.5	2
4. 30 455	SCREW MC10X30	4
5. 13 00 593	SLIDE BLOCK	1
6. 20 192	O-RING 94.5X3	
7. 13 00 583	RACK	



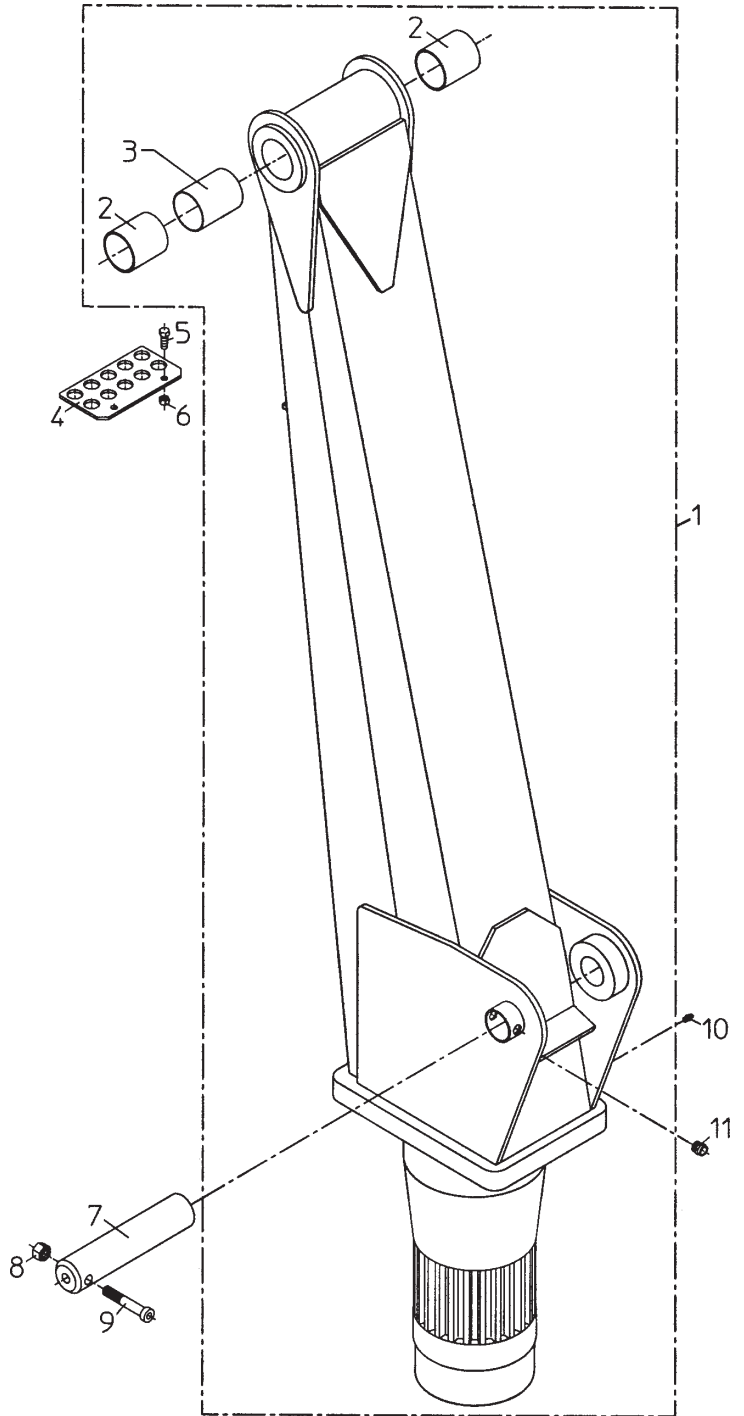
6/39: 451 01 200: 19990630

MAST (COLUMN)

- 1. 13 00 020 MAST (COMPLETE)
- 2. 23 324 BUSHING
- 3. 12 93 104 DISTANCE RING
- 4. 66 094 CLAMP
- 5. 30 132 SET SCR M8X20
- 6. 30 886 LOCK NUT M8
- 7. 12 95 184 PIN
- 8. 30 890 LOCK NUT M12
- 9. 30 963 SCREW MC12X70
- 10. 31 329 ZERK M6X1-0
- 11. 59 371 PLUG M6X1-0

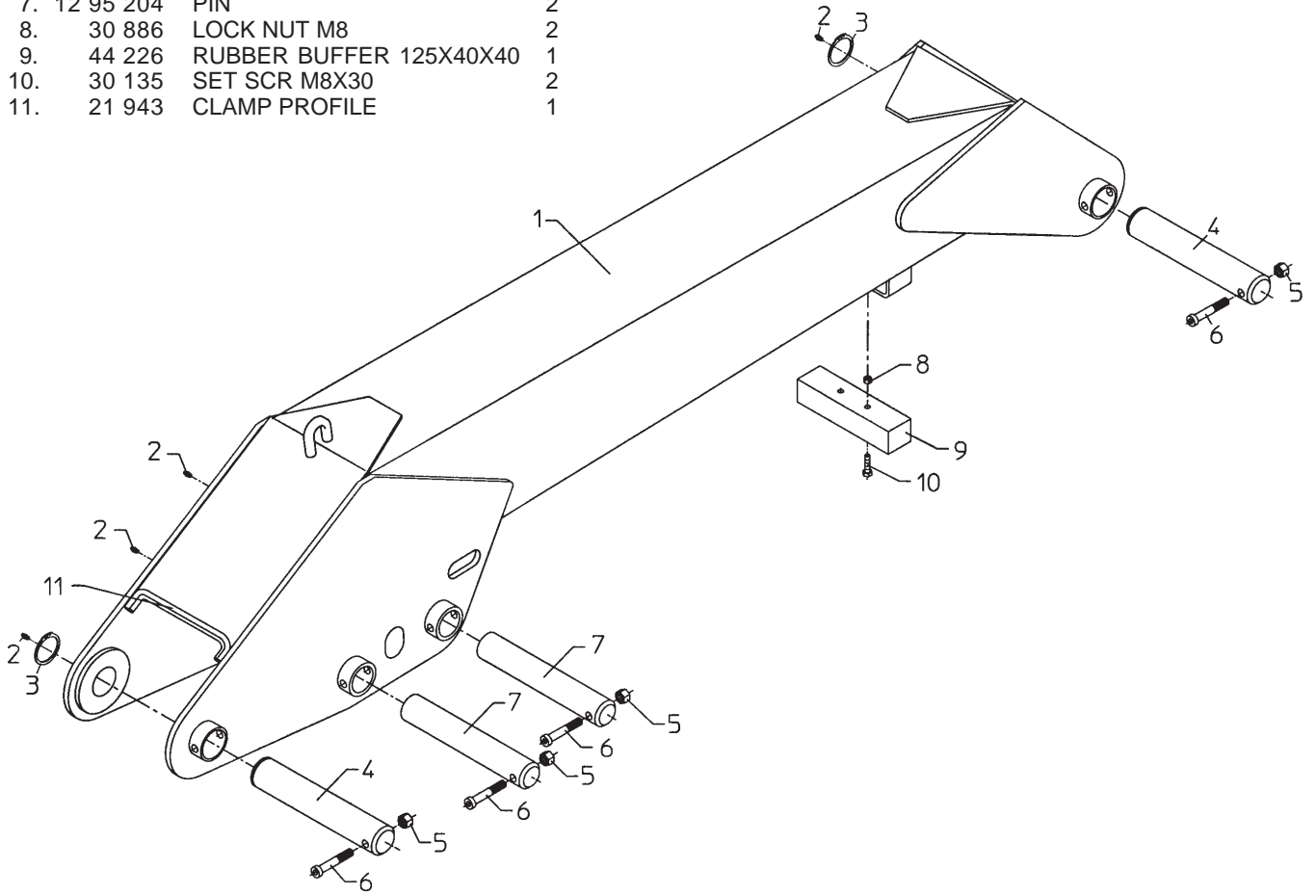
PARTS-7

- 1
- 1
- 2
- 2
- 1
- 1
- 1
- 1
- 1
- 1



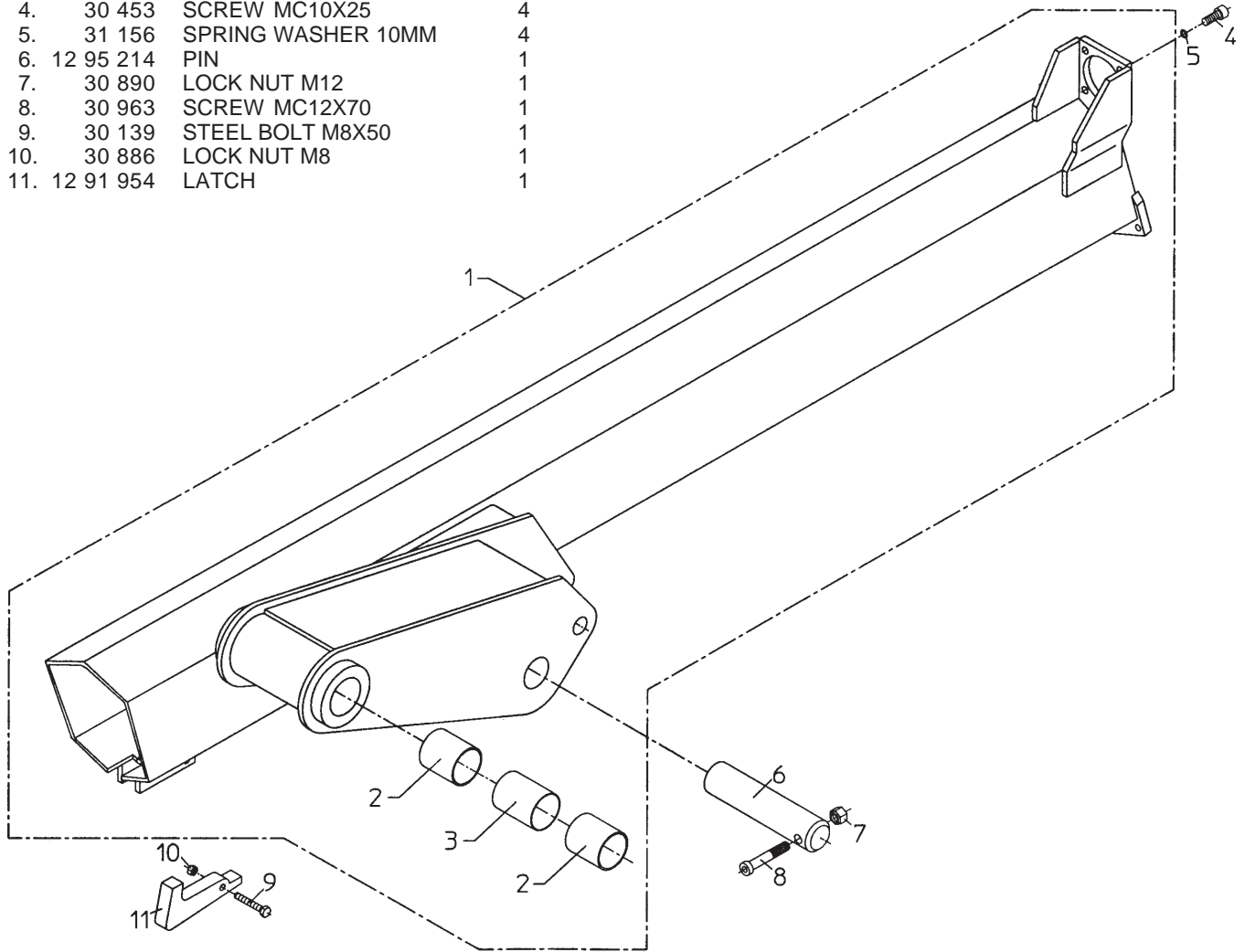
INNER (MAIN) BOOM

1.	13 01 202	INNER BOOM	1
2.	31 329	ZERK M6X1-0	4
3.	33 129	CIRCLIP 50U	2
4.	12 95 194	PIN	4
5.	30 890	LOCK NUT M12	4
6.	30 963	SCREW M12X70	4
7.	12 95 204	PIN	2
8.	30 886	LOCK NUT M8	2
9.	44 226	RUBBER BUFFER 125X40X40	1
10.	30 135	SET SCR M8X30	2
11.	21 943	CLAMP PROFILE	1



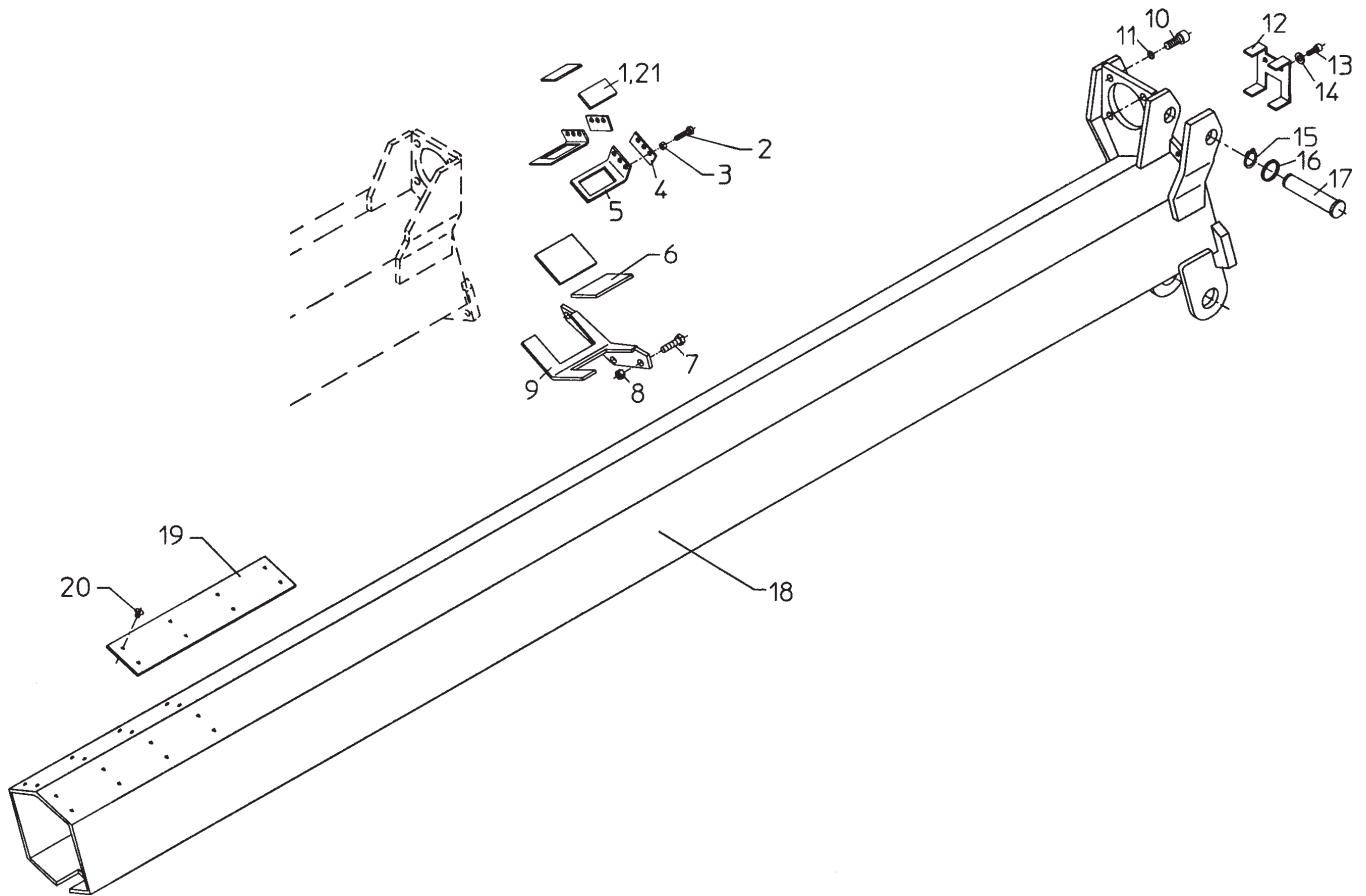
OUTER (JIB) BOOM

- | | | | |
|-----|-----------|--------------------|---|
| 1. | 12 90 030 | JIB (COMPLETE) | 1 |
| 2. | 23 324 | BUSHING PM5060DX | |
| 3. | 12 93 104 | DISTANCE RING | |
| 4. | 30 453 | SCREW MC10X25 | 4 |
| 5. | 31 156 | SPRING WASHER 10MM | 4 |
| 6. | 12 95 214 | PIN | 1 |
| 7. | 30 890 | LOCK NUT M12 | 1 |
| 8. | 30 963 | SCREW MC12X70 | 1 |
| 9. | 30 139 | STEEL BOLT M8X50 | 1 |
| 10. | 30 886 | LOCK NUT M8 | 1 |
| 11. | 12 91 954 | LATCH | 1 |



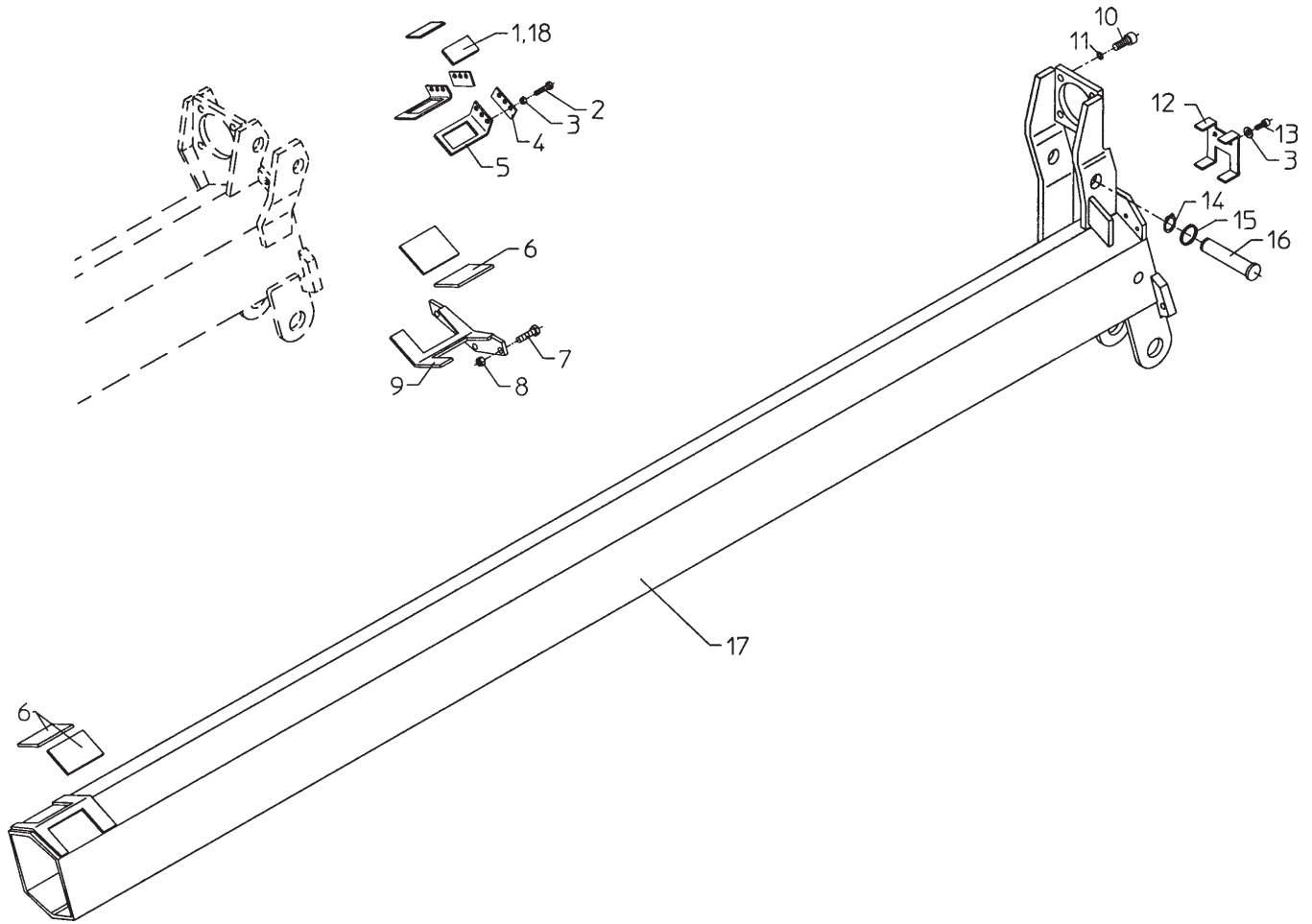
1ST STG EXT BOOM

1.	63 826	SLIDE BLOCK	2	12.	66 092	BRACKET	1
2.	30 114	SET SCR M6X25	4	13.	30 424	SCREW MC6X16	2
3.	30 884	LOCK NUT M6	4	14.	31 154	SPRING WASHER 6MM	2
4.	66 088	SPACER	2	15.	33 108	CIRCLIP 20U	1
5.	66 089	BRACKET	2	16.	31 179	WASHER 37X21X3	1
6.	63 822	SLIDE BLOCK	2	17.	12 91 904	PIN	1
7.	30 135	SET SCR M8X30	3	18.	12 91 702	EXTENSION 193X120MM	1
8.	30 886	LOCK NUT M8	3	19.	63 821	SLIDE BLOCK	2
9.	12 91 633	BRACKET	1	20.	30 516	COUNTERSUNK SCR MK6X8	16
10.	30 453	SCREW MC10X25	4	21.	63 770	SLIDE BLOCK	2
11.	31 156	SPRING WASHER 10MM	4				



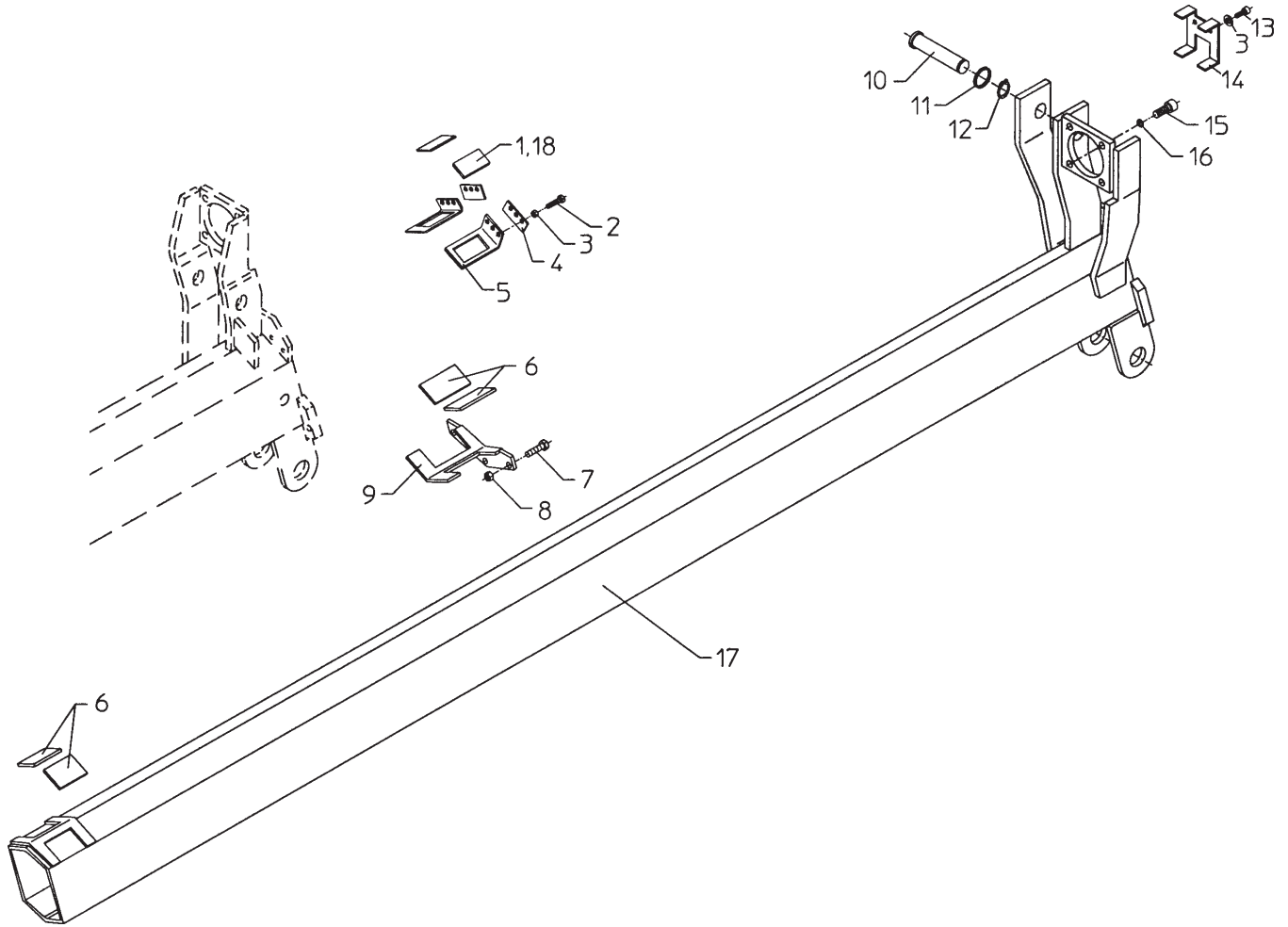
2ND STG EXT BOOM

1.	63 826	SLIDE BLOCK	2	10.	30 453	SCREW MC10X25	4
2.	30 112	SET SCR M6X16	4	11.	31 156	SPRING WASHER 10MM	4
3.	31 154	SPRING WASHER 6MM	6	12.	66 092	BRACKET	1
4.	66 088	SPACER	2	13.	30 424	SCREW MC6X16	2
5.	66 089	BRACKET	2	14.	33 108	CIRCLIP 20U	1
6.	63 823	SLIDE BLOCK	4	15.	31 179	WASHER 37X21X3	1
7.	30 135	SET SCR M8X30	3	16.	12 91 904	PIN	1
8.	30 886	LOCK NUT M8	3	17.	12 91 722	EXTENSION 170X100MM	1
9.	12 91 643	BRACKET	1	18.	63 770	SLIDE BLOCK	2



3RD STG EXT BOOM

1.	63 826	SLIDE BLOCK	2	10.	12 91 904	PIN	1
2.	30 112	SET SCR M6X16	4	11.	31 179	WASHER 37X21X3	1
3.	31 154	SPRING WASHER 6MM	6	12.	33 108	CIRCLIP 20U	1
4.	66 088	SPACER	2	13.	30 424	SCREW MC6X16	2
5.	66 089	BRACKET	2	14.	66 092	BRACKET	1
6.	63 824	SLIDE BLOCK	4	15.	31 156	SPRING WASHER 10MM	4
7.	30 135	SET SCR M8X30	3	16.	30 453	SCREW MC10X25	4
8.	30 886	LOCK NUT M8	3	17.	12 91 762	EXTENSION 147X80MM	1
10.	12 91 653	BRACKET	1	18.	63 770	SLIDE BLOCK	2

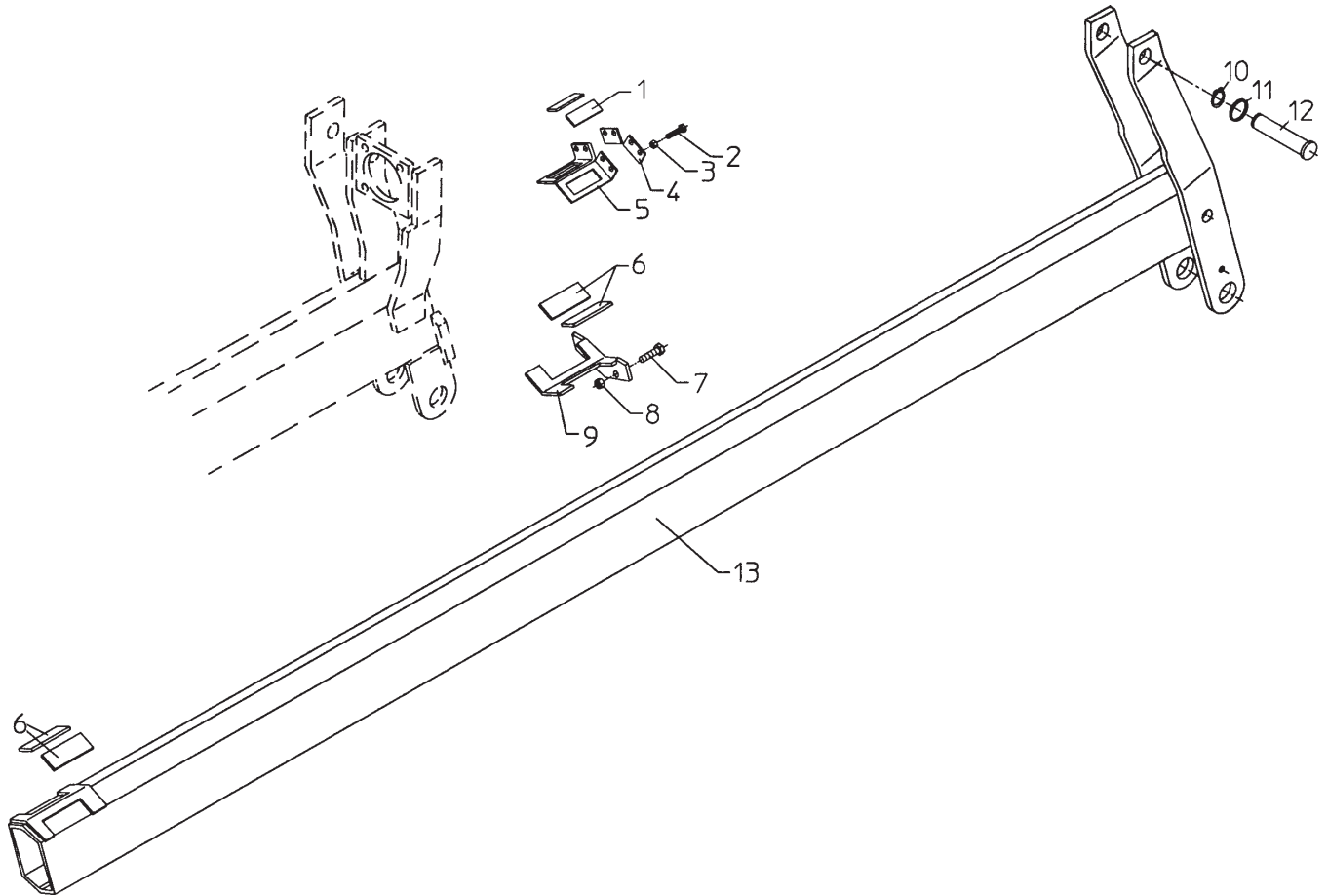


6/39: 451 02 130: 19990630

PARTS-13

4TH STG EXT BOOM

1.	63 827	SLIDE BLOCK	2	8.	30 886	LOCK NUT M8	2
2.	30 112	SET SCR M6X16	4	9.	12 91 663	BRACKET	1
3.	31 154	SPRING WASHER 6MM	4	10.	33 108	CIRCLIP 20U	1
4.	66 090	SPACER	2	11.	31 179	WASHER 37X21X3	1
5.	66 091	BRACKET	2	12.	12 91 904	PIN	1
6.	63 825	SLIDE BLOCK	4	13.	12 91 842	EXTENSION 124X60MM	1
7.	30 135	SET SCR M8X30	2				

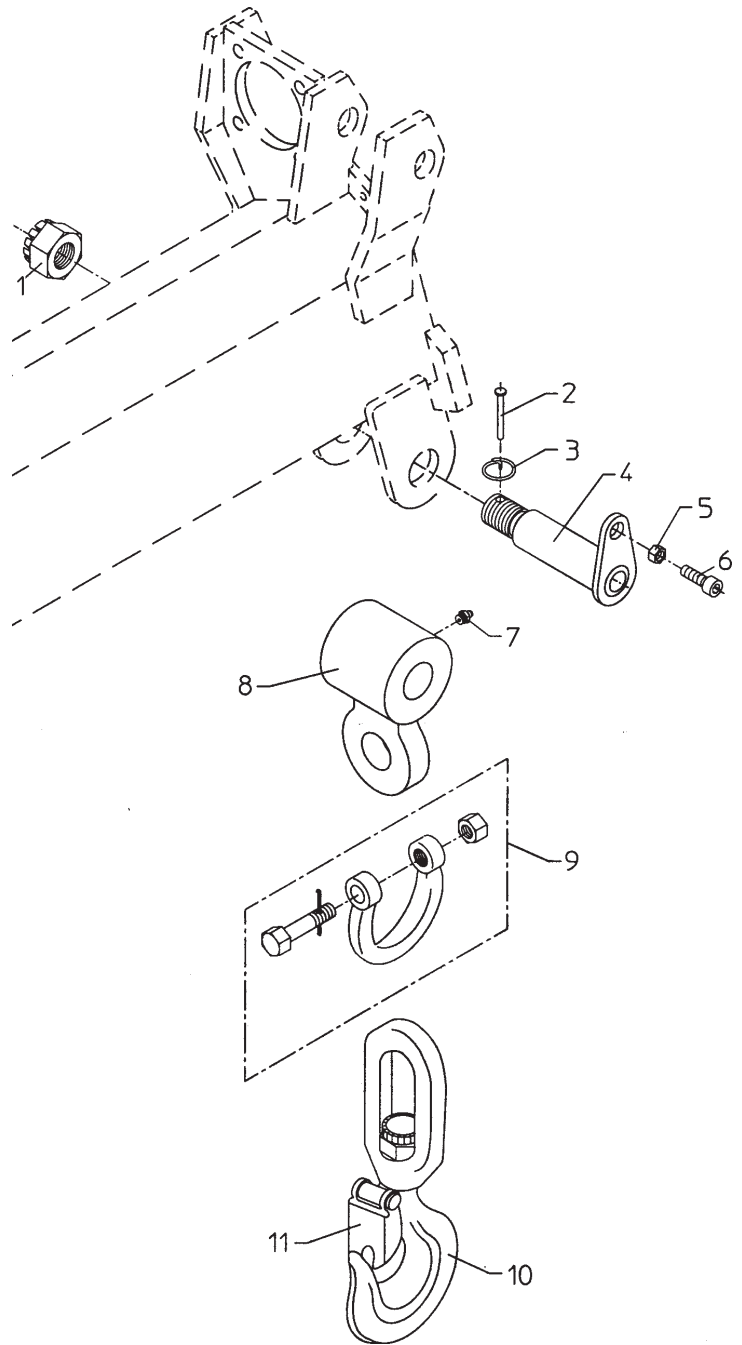


6/39: 451 02 500: 19990630

PARTS-14

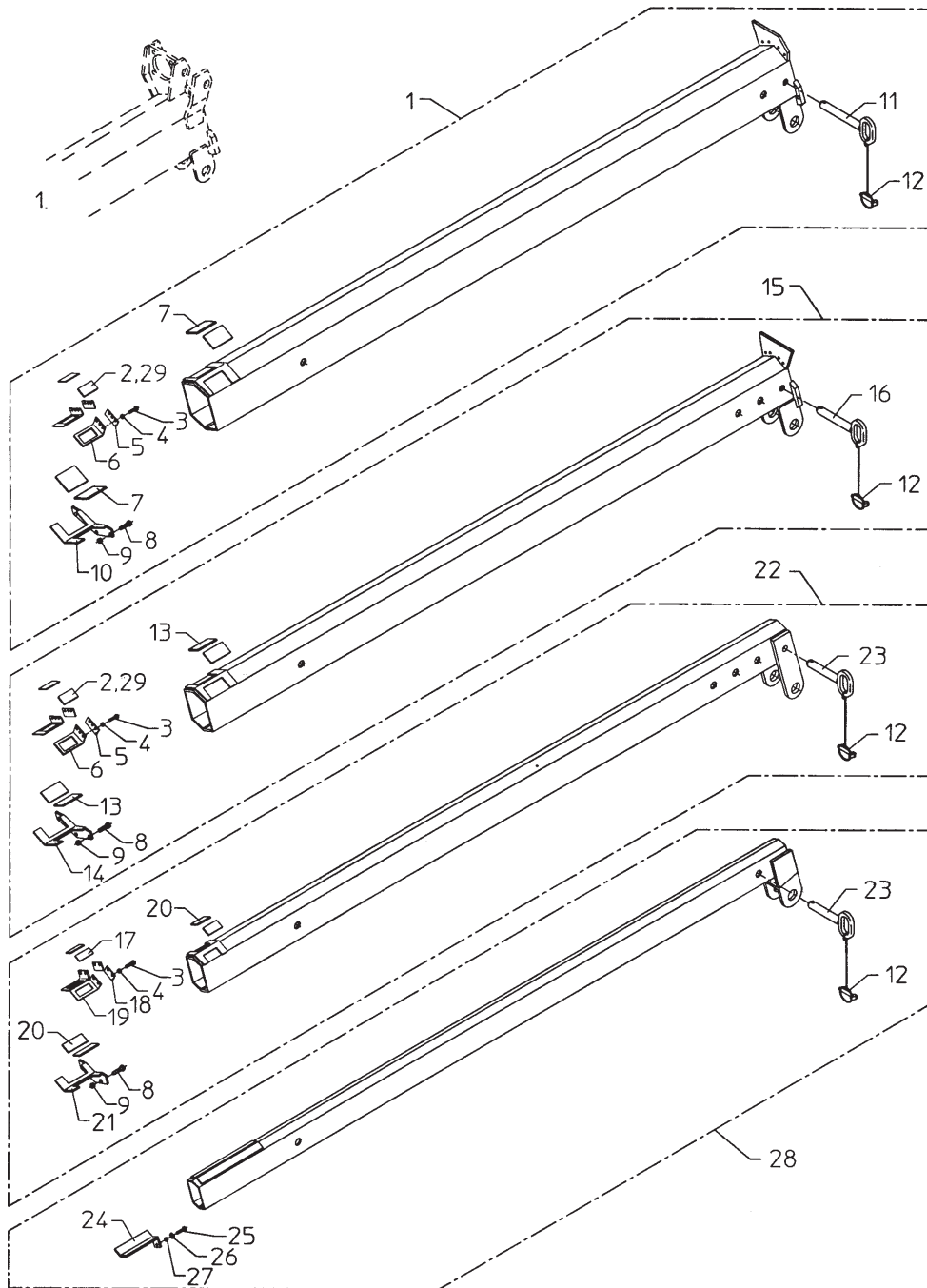
HOOK SUSPENSION

1.	30 837	NUT M24	1
2.	31 280	COTTER BOLT Ø5X40	1
3.	33 458	LOCK RING-SS	1
4.	12 93 124	PIN	1
5.	30 886	LOCK NUT M8	1
6.	30 438	SCREW MC8X20	1
7.	31 318	ZERK 1/8"RG-0	1
8.	60 82 874	SUSPENSION WELDMENT	1
9.	62 115	SHACKLE SWL 3.25TON	1
10.	62 101	HOOK 40KN	1
11.	62 143	SAFETY LATCH 4.2TON	1



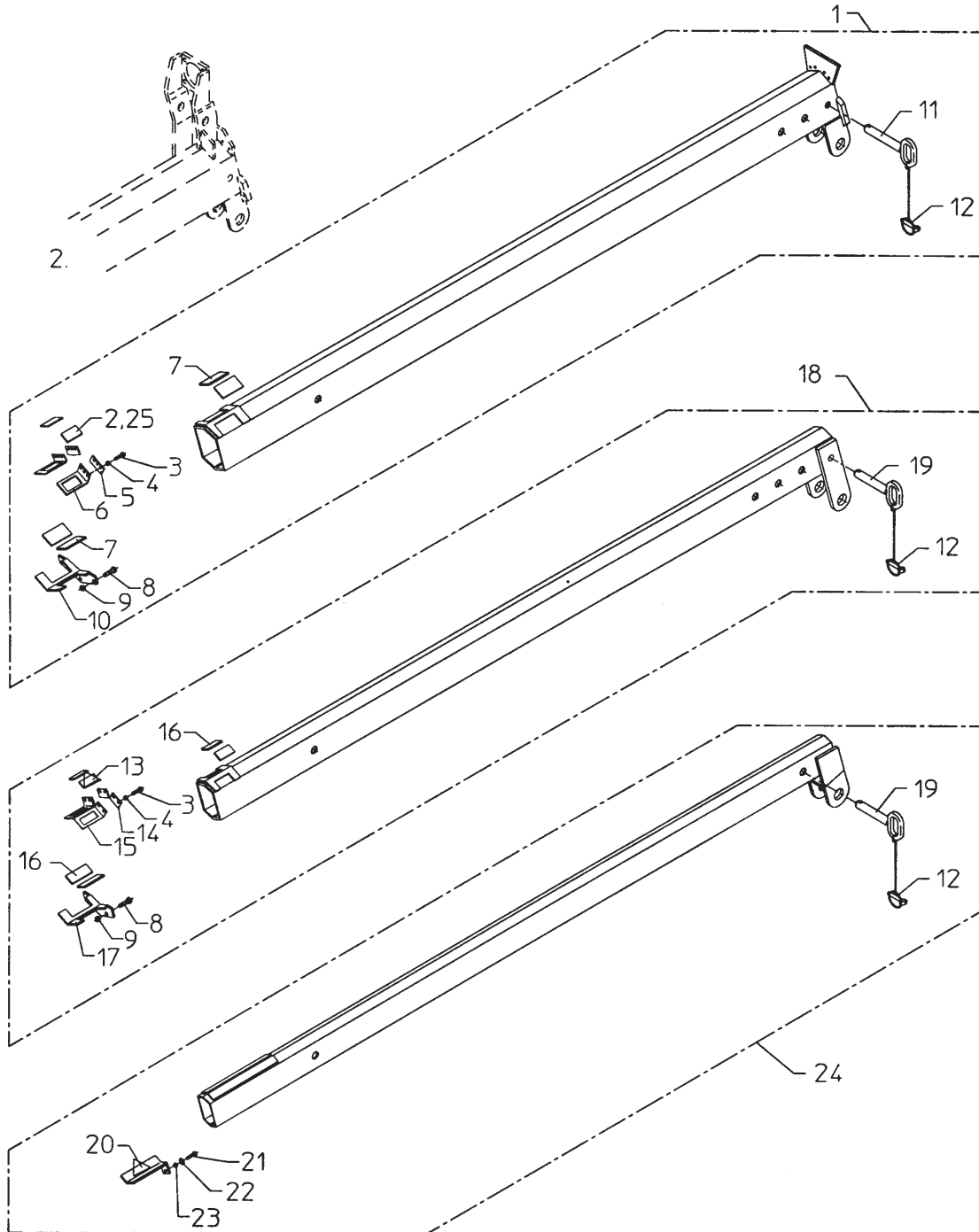
MANUAL EXTENSIONS-1H

- | | | | | | | | |
|-----|-----------|--------------------------|---|-----|-----------|-------------------------|---|
| 1. | 12 90 040 | MNL EXT (COMPL)170X100MM | 1 | 15. | 12 90 050 | MNL EXT (COMPL)147X80MM | 1 |
| 2. | 63 826 | SLIDE BLOCK | | 16. | 12 93 584 | PIN | |
| 3. | 30 112 | SET SCR M6X16 | | 17. | 63 827 | SLIDE BLOCK | |
| 4. | 31 154 | SPRING WASHER 6MM | | 18. | 66 090 | SPACER | |
| 5. | 66 088 | SPACER | | 19. | 66 091 | BRACKET | |
| 6. | 66 089 | BRACKET | | 20. | 63 825 | SLIDE BLOCK | |
| 7. | 63 823 | SLIDE BLOCK | | 21. | 12 91 663 | BRACKET | |
| 8. | 30 135 | SET SCR M8X30 | | 22. | 12 90 060 | MNL EXT (COMPL)124X60MM | 1 |
| 9. | 30 886 | LOCK NUT M8 | | 23. | 12 93 574 | PIN | |
| 10. | 12 91 643 | BRACKET | | 24. | 66 093 | BRACKET | |
| 11. | 12 93 594 | PIN | | 25. | 30 114 | SET SCR M6X25 | |
| 12. | 33 387 | SPLIT RING Ø8 | | 26. | 31 134 | WASHER 6MM | |
| 13. | 63 824 | SLIDE BLOCK | | 27. | 30 884 | LOCK NUT M6 | |
| 14. | 12 91 653 | BRACKET | | 28. | 12 90 070 | MNL EXT (COMPL)101X45MM | 1 |
| | | | | 29. | 63 770 | SLIDE BLOCK | |



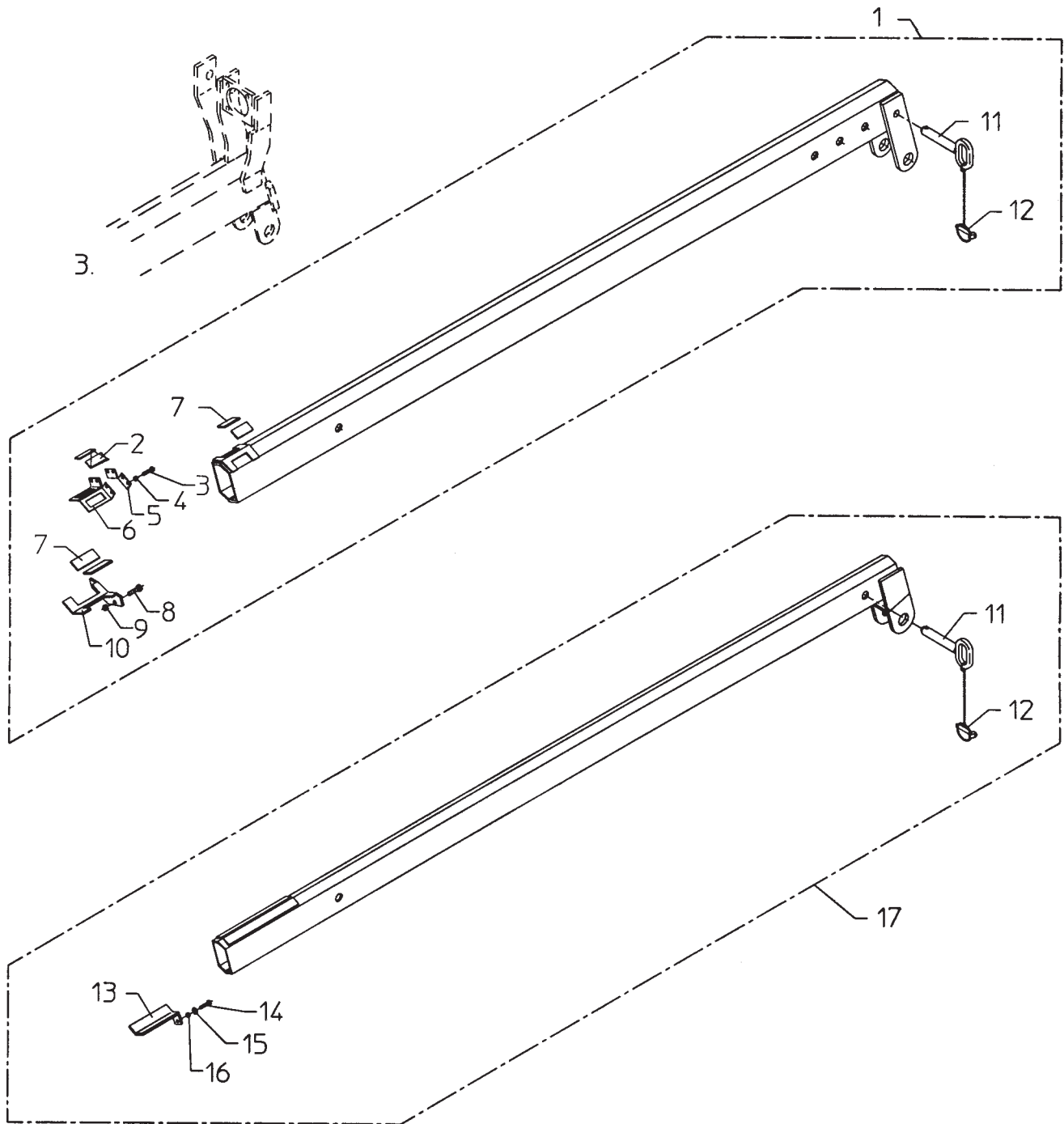
MANUAL EXTENSIONS-2H

- | | | | | | | | |
|-----|-----------|-------------------------|---|-----|-----------|-------------------------|---|
| 1. | 12 90 050 | MNL EXT (COMPL)147X80MM | 1 | 13. | 63 827 | SLIDE BLOCK | |
| 2. | 63 826 | SLIDE BLOCK 4MM | | 14. | 66 090 | SPACER | |
| 3. | 30 112 | SET SCR M6X16 | | 15. | 66 091 | BRACKET | |
| 4. | 31 154 | SPRING WASHER 6MM | | 16. | 63 825 | SLIDE BLOCK | |
| 5. | 66 088 | SPACER | | 17. | 12 91 663 | BRACKET | |
| 6. | 66 089 | BRACKET | | 18. | 12 90 060 | MNL EXT (COMPL)124X60MM | 1 |
| 7. | 63 824 | SLIDE BLOCK | | 19. | 12 93 574 | PIN | |
| 8. | 30 135 | SET SCR M8X30 | | 20. | 66 093 | BRACKET | |
| 9. | 30 886 | LOCK NUT M8 | | 21. | 30 114 | SET SCR M6X25 | |
| 10. | 12 91 653 | BRACKET | | 22. | 31 134 | WASHER 6MM | |
| 11. | 12 93 584 | PIN | | 23. | 30 884 | LOCK NUT M6 | |
| 12. | 33 387 | SPLIT RING | | 24. | 12 90 070 | MNL EXT (COMPL)101X45MM | 1 |
| | | | | 25. | 63 770 | SLIDE BLOCK | |



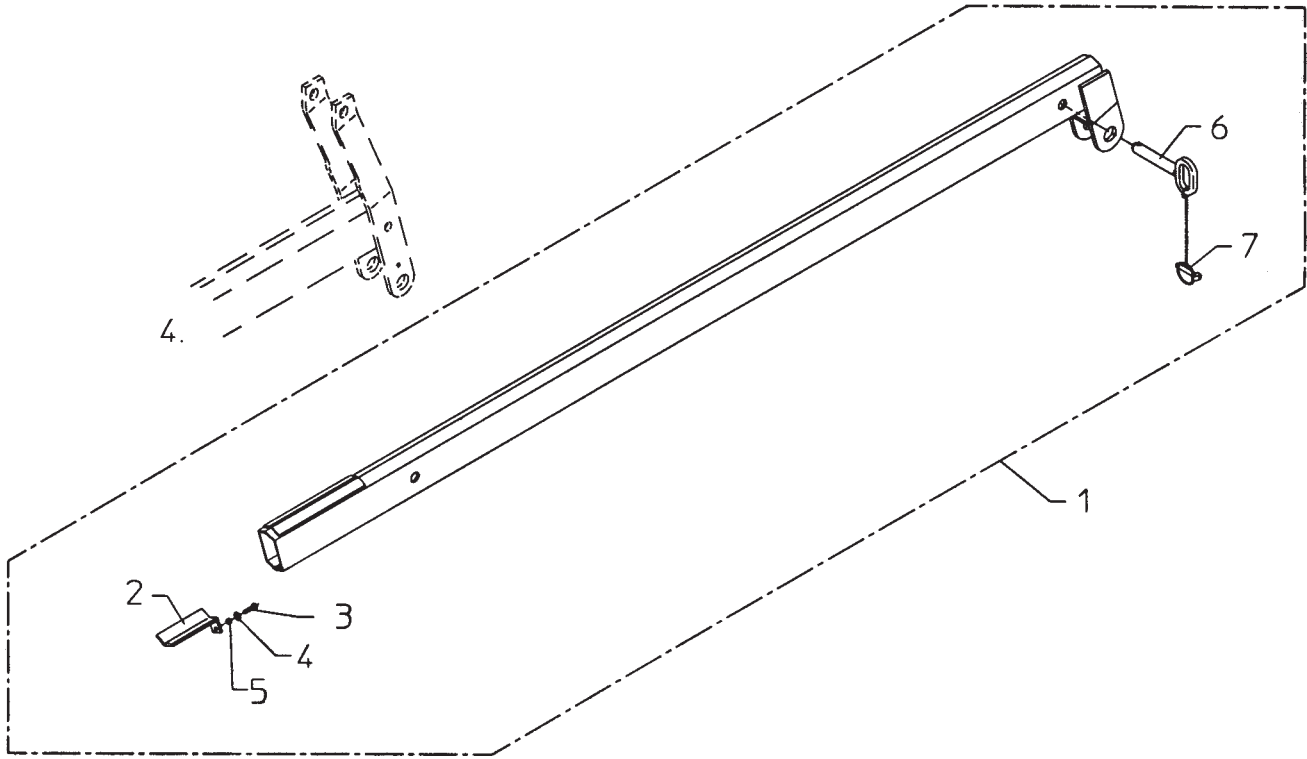
MANUAL EXTENSIONS-3H

- | | | | | | | | |
|----|-----------|-------------------------|---|-----|-----------|-------------------------|---|
| 1. | 12 90 060 | MNL EXT (COMPL)124X60MM | 1 | 10. | 12 91 663 | BRACKET | |
| 2. | 63 827 | SLIDE BLOCK | | 11. | 12 93 574 | PIN | |
| 3. | 30 112 | SET SCR M6X16 | | 12. | 33 387 | SPLIT RING Ø8 | |
| 4. | 31 154 | SPRING WASHER 6MM | | 13. | 66 093 | BRACKET | |
| 5. | 66 090 | SPACER | | 14. | 30 114 | SET SCR M6X25 | |
| 6. | 66 091 | BRACKET | | 15. | 31 134 | WASHER 6MM | |
| 7. | 63 825 | SLIDE BLOCK | | 16. | 30 884 | LOCK NUT M6 | |
| 8. | 30 135 | SET SCR M8X30 | | 17. | 12 90 070 | MNL EXT (COMPL)101X45MM | 1 |
| 9. | 30 886 | LOCK NUT M8 | | | | | |



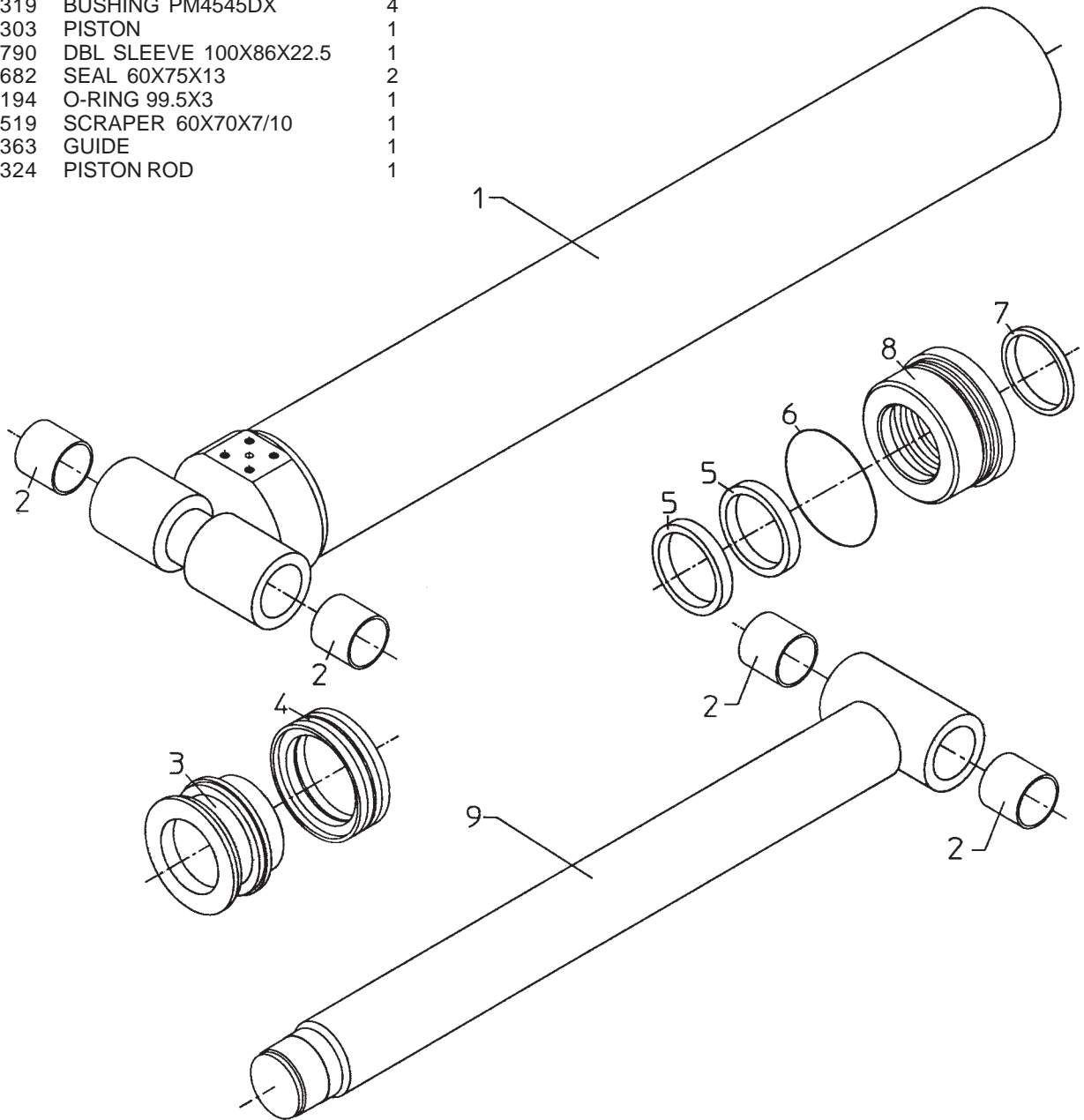
MANUAL EXTENSIONS-4H

- 1. 12 90 070 MNL EXT (COMPL)101X45MM 1
- 2. 66 093 BRACKET
- 3. 30 114 SET SCR M6X25
- 4. 31 134 WASHER 6MM
- 5. 30 884 LOCK NUT M6
- 6. 12 93 574 PIN
- 7. 33 387 SPLIT RING Ø8



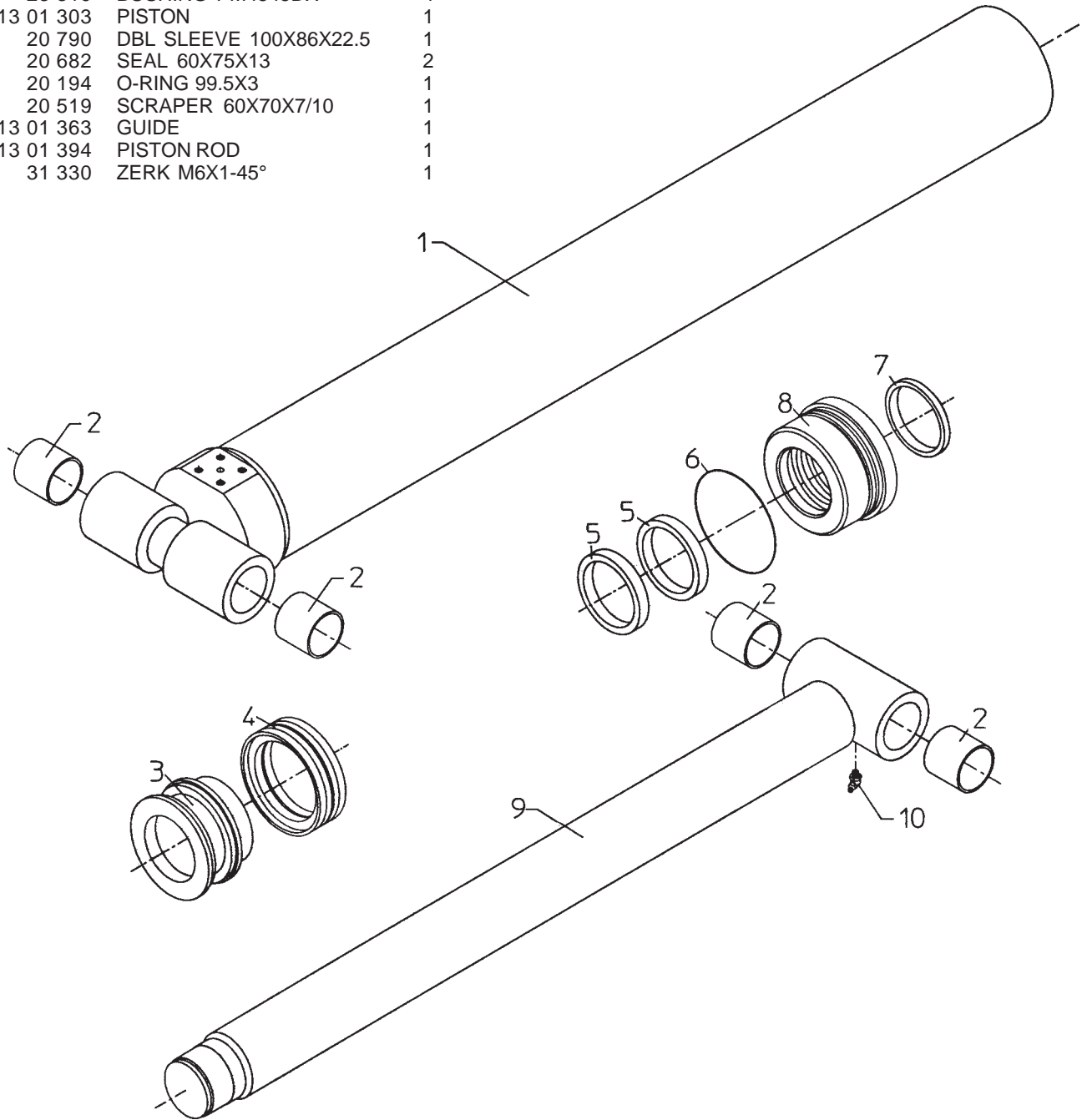
INNER BOOM CYLINDER C100-600

13 01 373	BOOMCYLINDER	1
68 93 040	SEAL KIT	1
1. 13 01 353	CYLINDER	1
2. 23 319	BUSHING PM4545DX	4
3. 13 01 303	PISTON	1
4. 20 790	DBL SLEEVE 100X86X22.5	1
5. 20 682	SEAL 60X75X13	2
6. 20 194	O-RING 99.5X3	1
7. 20 519	SCRAPER 60X70X7/10	1
8. 13 01 363	GUIDE	1
9. 13 01 324	PISTON ROD	1



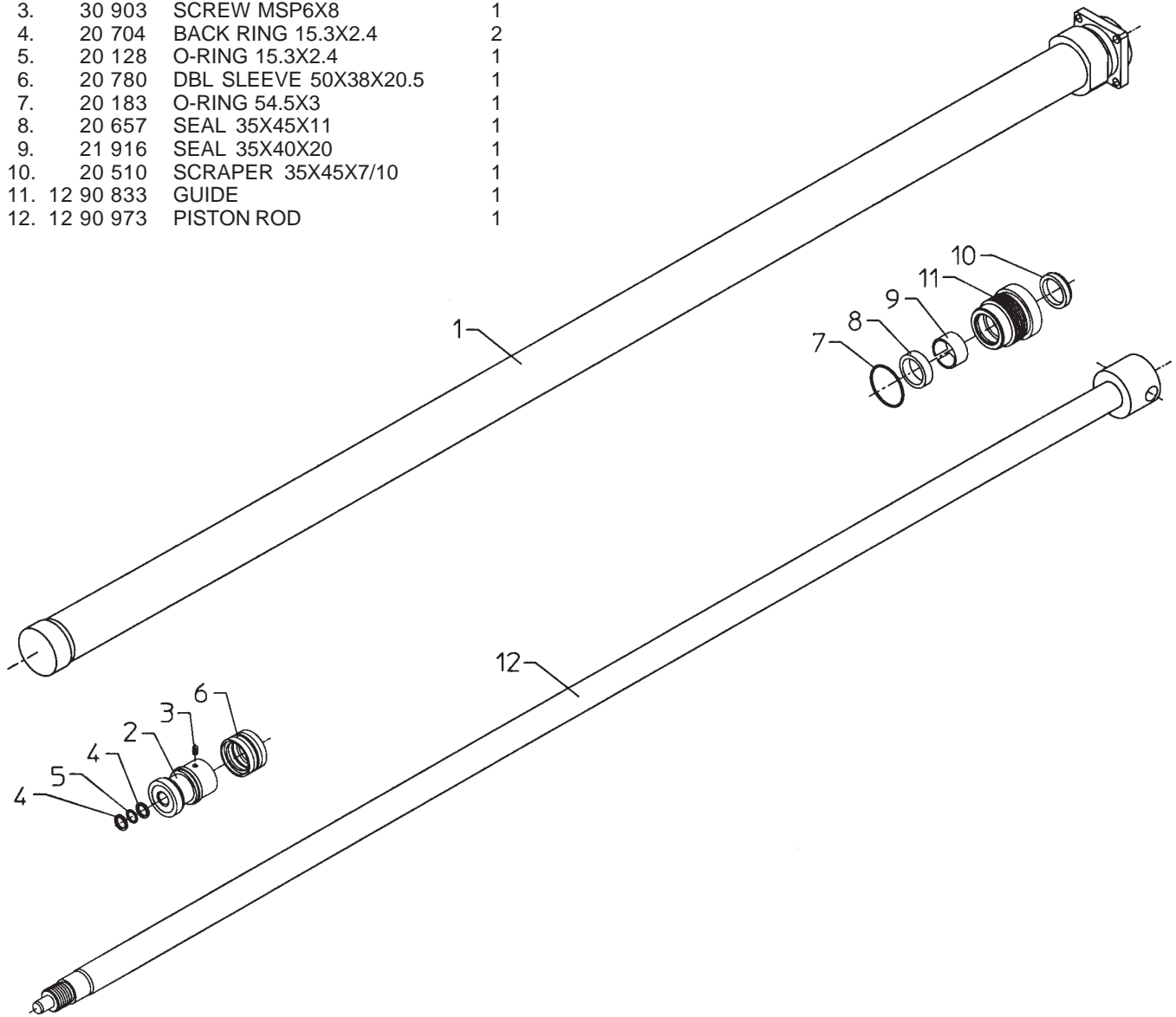
OUTER (JIB) BOOM CYLINDER C100-760

	13 01 423	INNER CYLINDER	1
	68 93 040	SEAL KIT (INCL:4-7)	1
1.	13 01 413	CYLINDER	1
2.	23 319	BUSHING PM4545DX	4
3.	13 01 303	PISTON	1
4.	20 790	DBL SLEEVE 100X86X22.5	1
5.	20 682	SEAL 60X75X13	2
6.	20 194	O-RING 99.5X3	1
7.	20 519	SCRAPER 60X70X7/10	1
8.	13 01 363	GUIDE	1
9.	13 01 394	PISTON ROD	1
10.	31 330	ZERK M6X1-45°	1



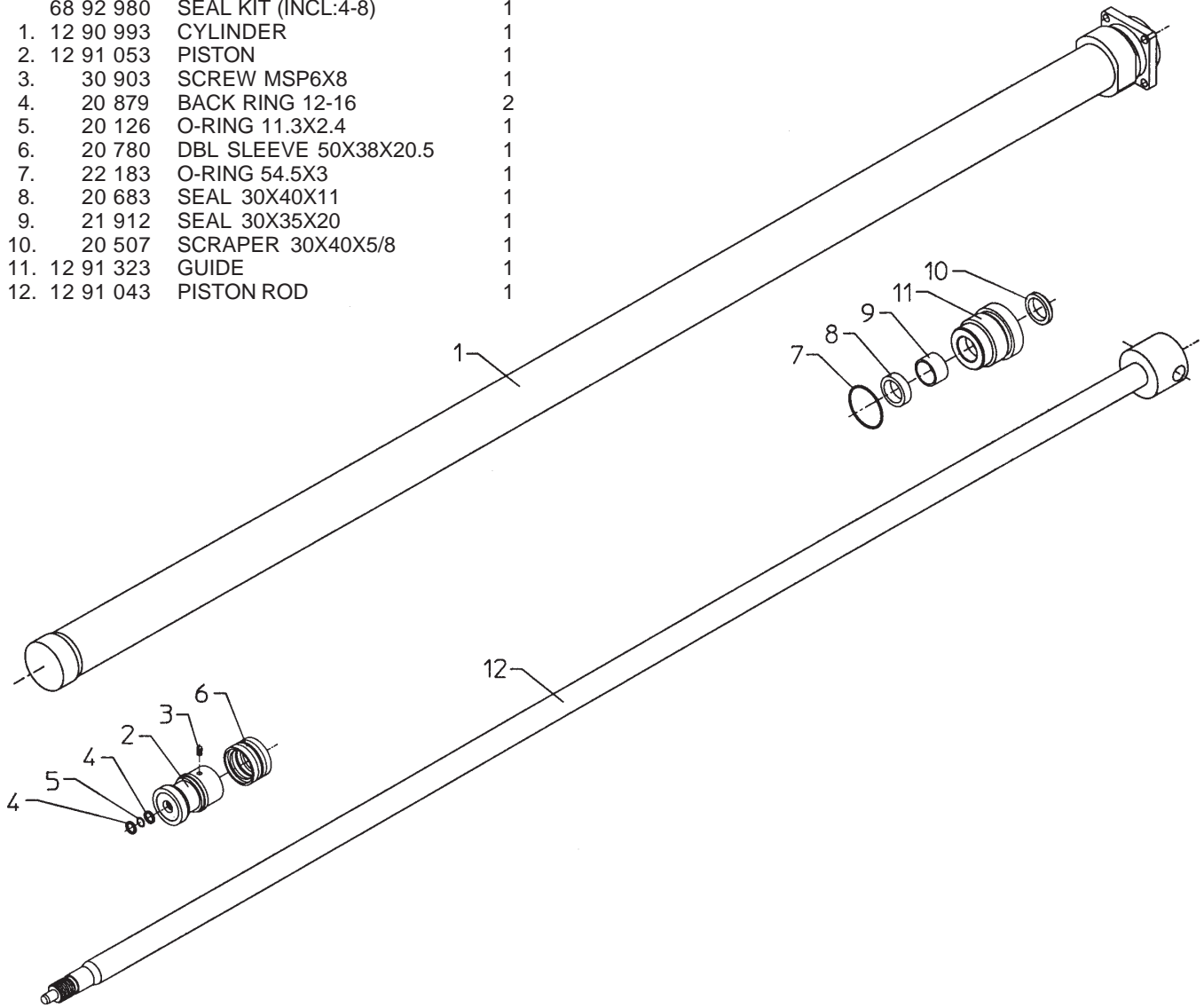
EXTENSION CYLINDER C50-1700 (Ø35/Ø20)

12 91 003	EXT CYLINDER	1
68 92 970	SEAL KIT (INCL:4-10)	1
1. 12 90 993	CYLINDER	1
2. 62 53 813	PISTON	1
3. 30 903	SCREW MSP6X8	1
4. 20 704	BACK RING 15.3X2.4	2
5. 20 128	O-RING 15.3X2.4	1
6. 20 780	DBL SLEEVE 50X38X20.5	1
7. 20 183	O-RING 54.5X3	1
8. 20 657	SEAL 35X45X11	1
9. 21 916	SEAL 35X40X20	1
10. 20 510	SCRAPER 35X45X7/10	1
11. 12 90 833	GUIDE	1
12. 12 90 973	PISTON ROD	1



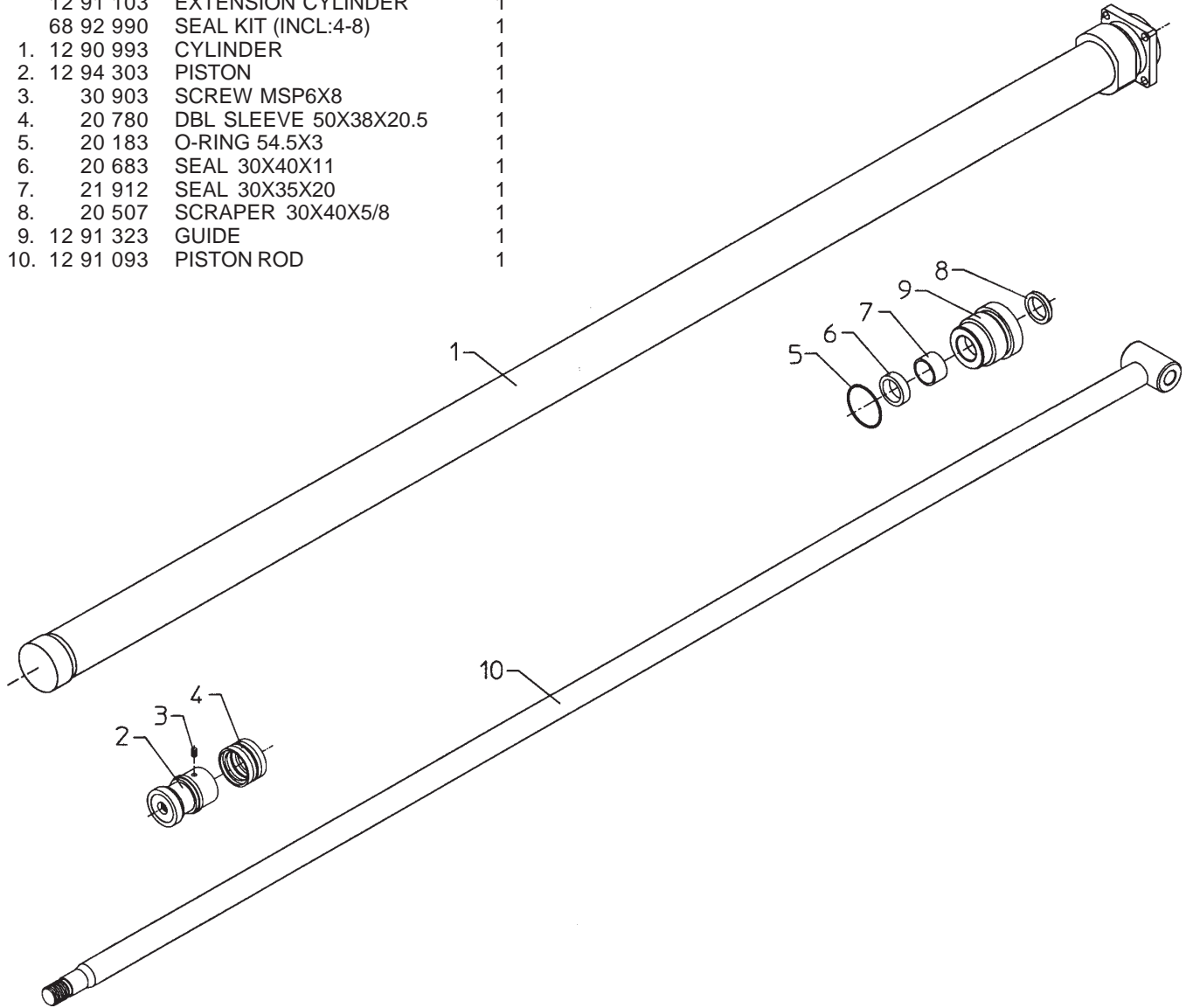
EXTENSION CYLINDER C50-1700 (Ø30/Ø16))

12 91 063	EXT CYLINDER	1
68 92 980	SEAL KIT (INCL:4-8)	1
1. 12 90 993	CYLINDER	1
2. 12 91 053	PISTON	1
3. 30 903	SCREW MSP6X8	1
4. 20 879	BACK RING 12-16	2
5. 20 126	O-RING 11.3X2.4	1
6. 20 780	DBL SLEEVE 50X38X20.5	1
7. 22 183	O-RING 54.5X3	1
8. 20 683	SEAL 30X40X11	1
9. 21 912	SEAL 30X35X20	1
10. 20 507	SCRAPER 30X40X5/8	1
11. 12 91 323	GUIDE	1
12. 12 91 043	PISTON ROD	1



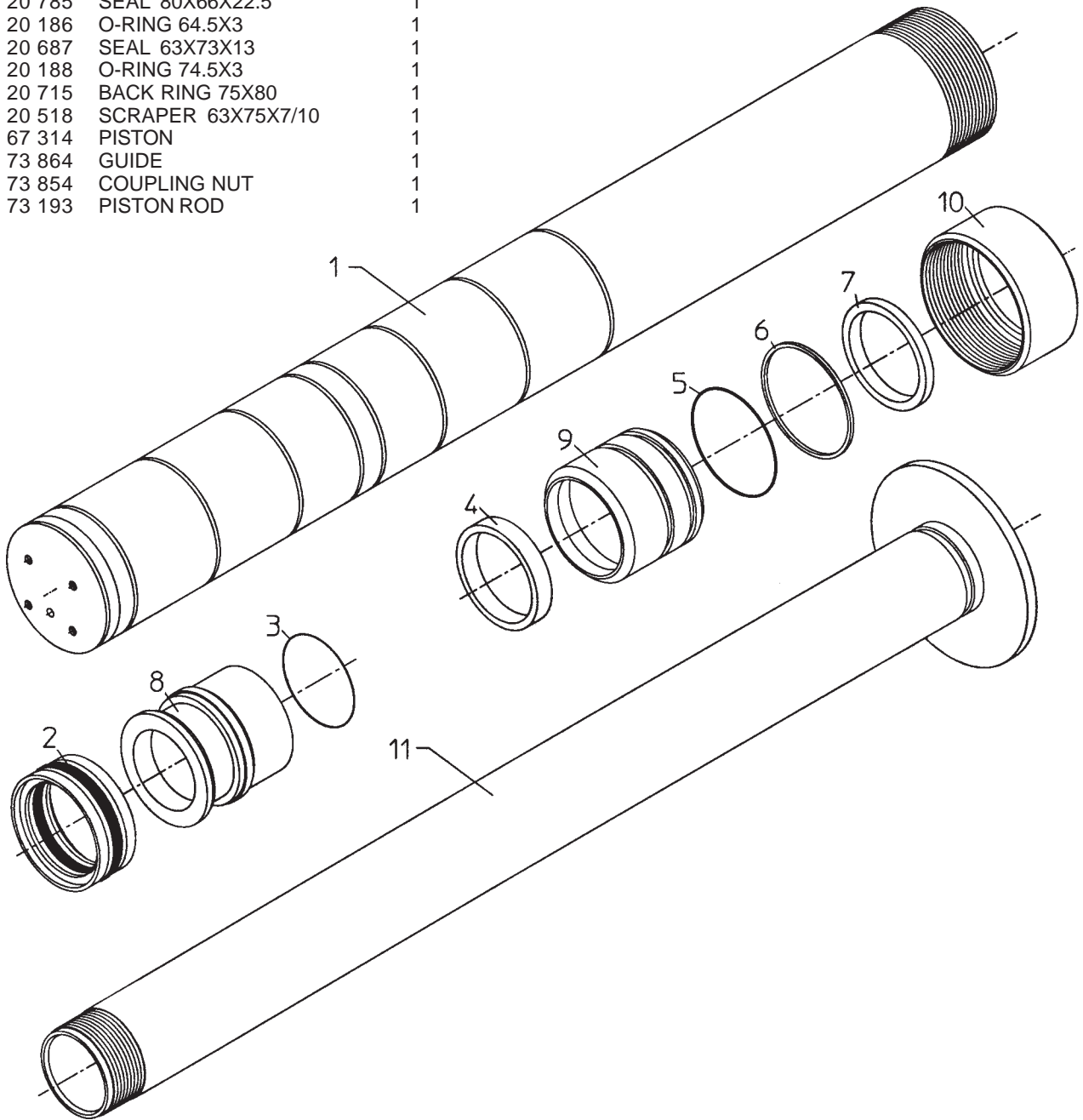
EXTENSION CYLINDER C50-1700 (Ø30)

12 91 103	EXTENSION CYLINDER	1
68 92 990	SEAL KIT (INCL:4-8)	1
1. 12 90 993	CYLINDER	1
2. 12 94 303	PISTON	1
3. 30 903	SCREW MSP6X8	1
4. 20 780	DBL SLEEVE 50X38X20.5	1
5. 20 183	O-RING 54.5X3	1
6. 20 683	SEAL 30X40X11	1
7. 21 912	SEAL 30X35X20	1
8. 20 507	SCRAPER 30X40X5/8	1
9. 12 91 323	GUIDE	1
10. 12 91 093	PISTON ROD	1



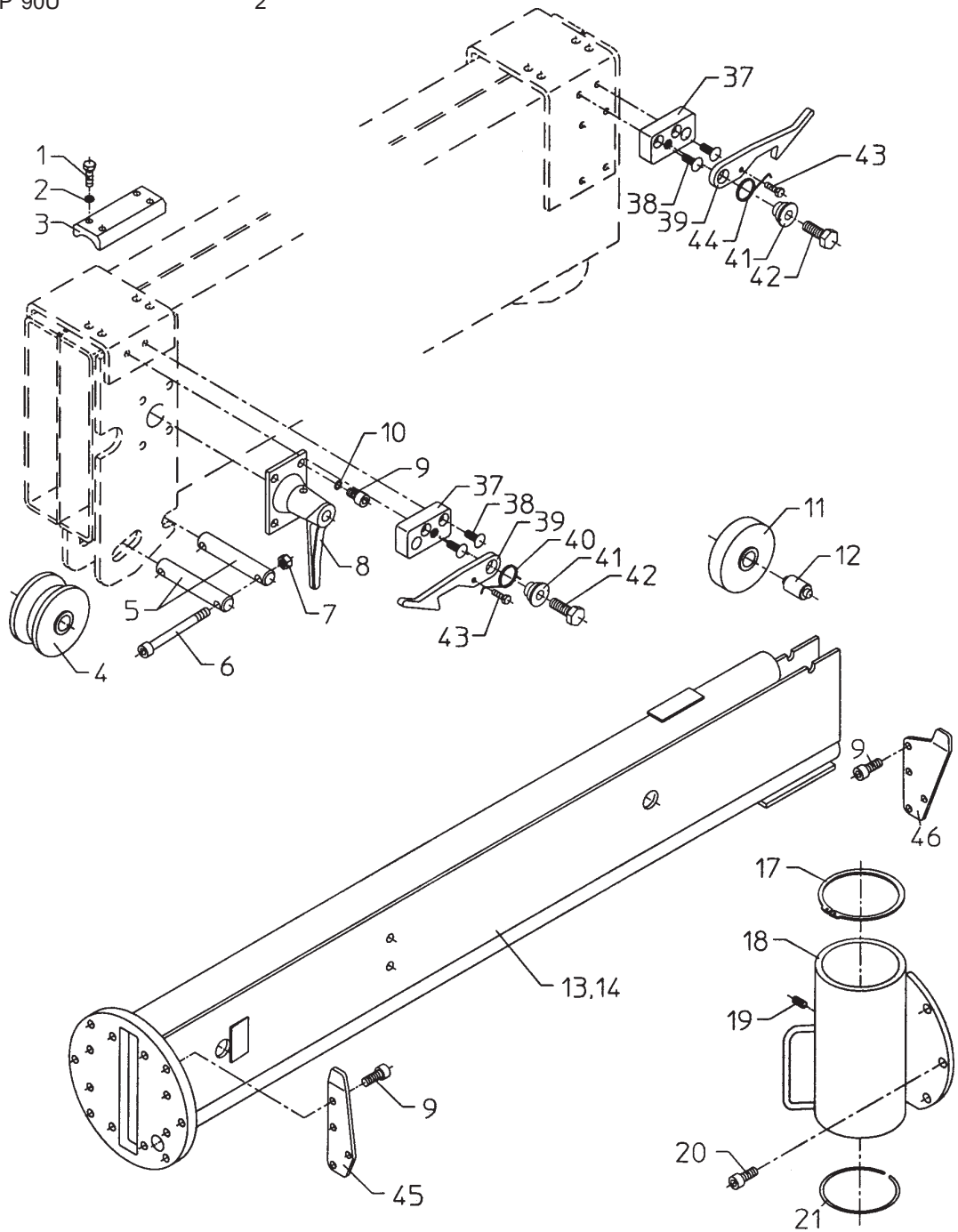
STABILIZER CYLINDER C80-640

12 73 872	STABILIZER CYLINDER	1
68 92 600	SEAL KIT (INCL:2-7)	1
1. 12 73 213	CYLINDER	1
2. 20 785	SEAL 80X66X22.5	1
3. 20 186	O-RING 64.5X3	1
4. 20 687	SEAL 63X73X13	1
5. 20 188	O-RING 74.5X3	1
6. 20 715	BACK RING 75X80	1
7. 20 518	SCRAPER 63X75X7/10	1
8. 12 67 314	PISTON	1
9. 12 73 864	GUIDE	1
10. 12 73 854	COUPLING NUT	1
11. 12 73 193	PISTON ROD	1



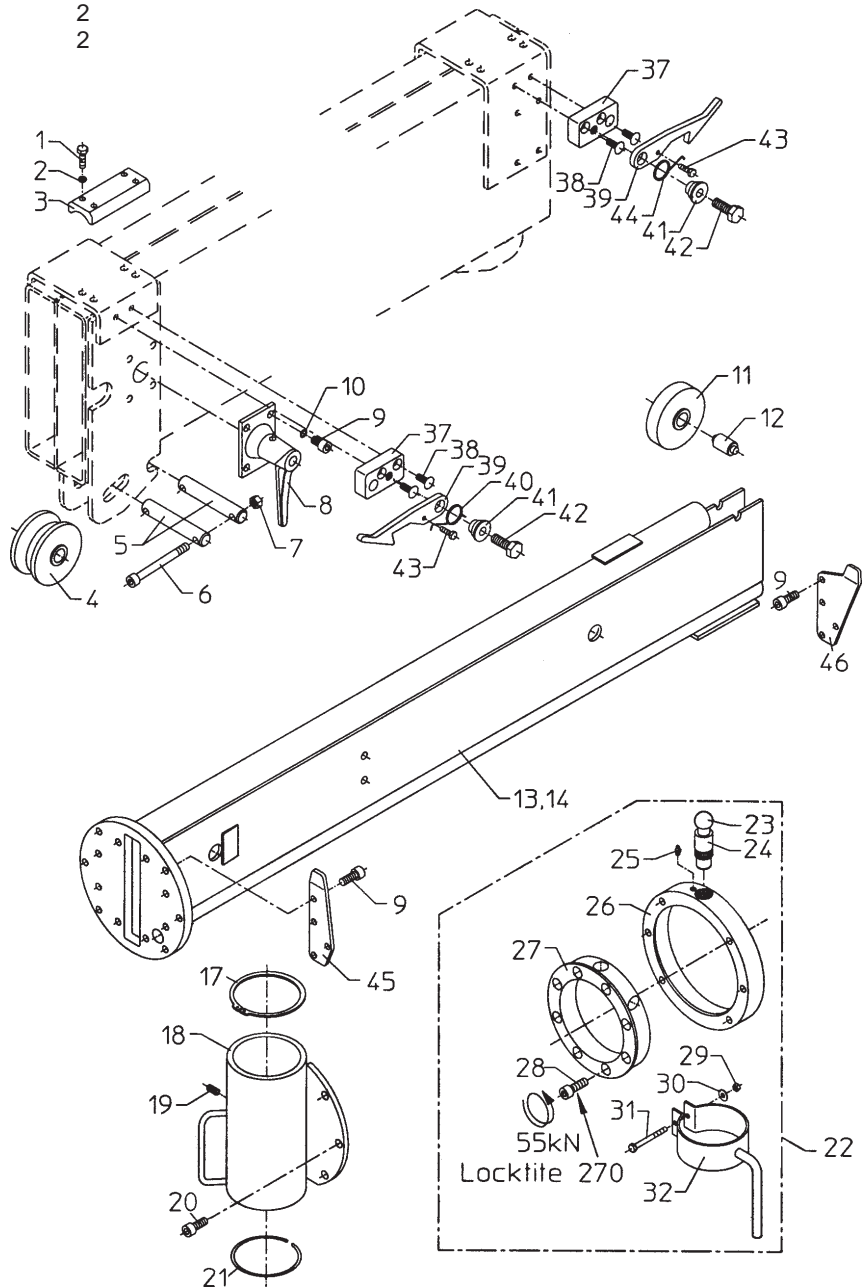
STABILIZER BEAM SV

1.	30 134	SET SCR M8X25	8	18.	12 92 923	HOUSING	2
2.	31 155	SPRING WASHER 8MM	8	19.	30 566	POINTING SCREW MSP8X16	2
3.	12 92 773	STOP	2	20.	30 453	SCREW MC10X25	12
4.	12 92 784	GUIDE ROLLER	2	21.	33 446	LOCK RING	2
5.	12 92 794	PIN	4	37.	13 12 543	BRACKET	2
6.	32 427	SCREW MC10X110	4	38.	30 583	SCREW MK8X25	4
7.	30 888	LOCK NUT M10	4	39.	62 45 244	HOOK	2
8.	66 61 734	LOCKING DEVICE	2	40.	33 474	SPRING	1
9.	30 964	SCREW MC10X16	12	41.	62 45 264	BUSHING	2
10.	31 156	SPRING WASHER 10MM	8	42.	30 178	SET SCR M12X35	2
11.	12 92 894	GUIDE ROLLER	2	43.	30 579	COUNTERSUNK SCR MK6X20	2
12.	12 92 904	PIN	2	44.	33 473	SPRING	1
13.	13 01 012	STABILIZER ARM 1380MM	2	45.	13 12 563	LOCK PLATE	1
14.	13 01 052	STABILIZER ARM 700MM	2	46.	13 12 553	LOCK PLATE	1
17.	33 241	CIRCLIP 90U	2				



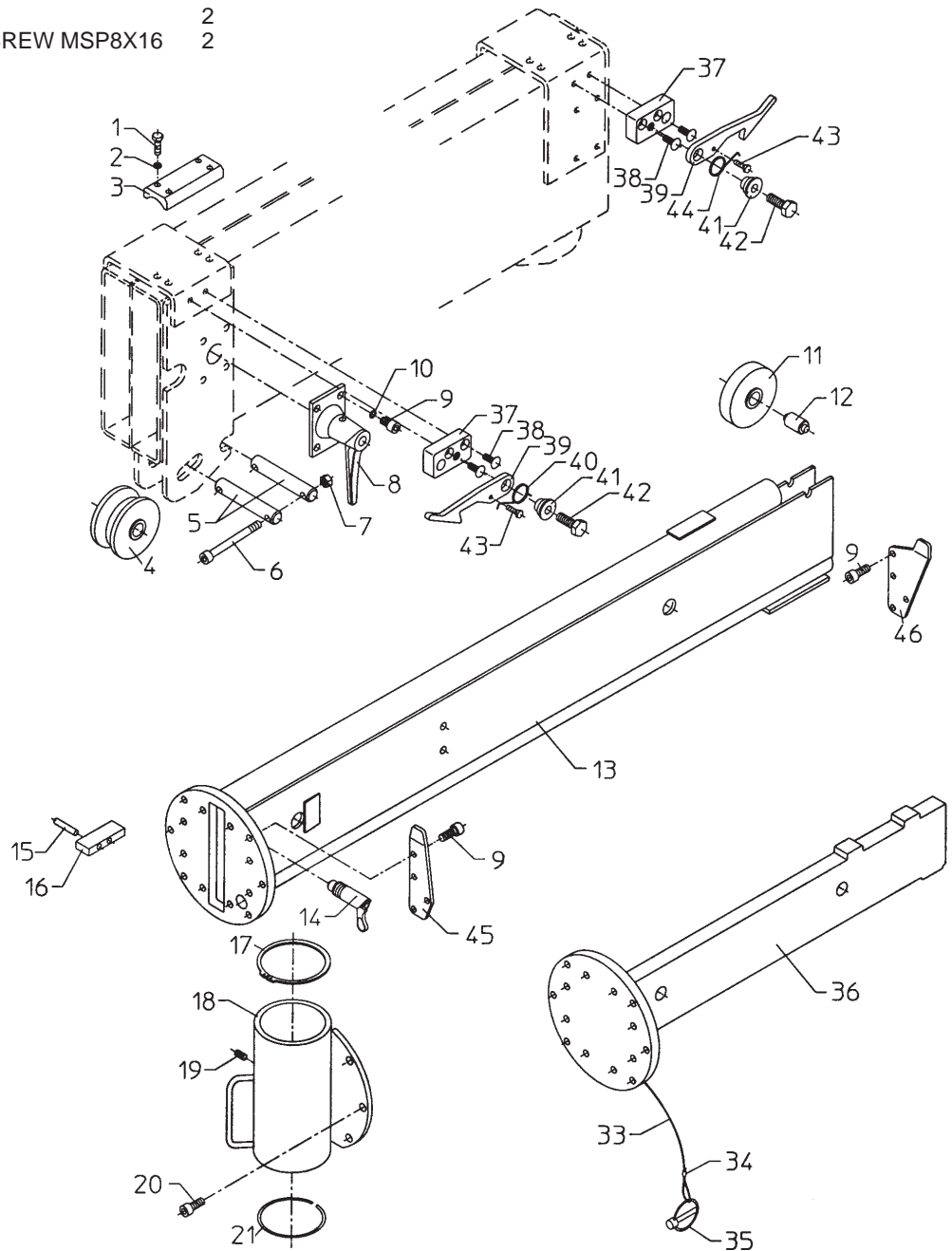
STABILIZER BEAM SR

1.	30 134	SET SCR M8X25	8	26.	12 93 023	DISC	
2.	31 155	SPRING WASHER 8MM	8	27.	12 93 033	DISC	
3.	12 92 773	STOP	2	28.	30 455	SCREW MC10X30	
4.	12 92 784	GUIDE ROLLER	2	29.	30 884	LOCK NUT M6	
5.	12 92 794	PIN	4	30.	31 134	WASHER 6MM	
6.	32 427	SCREW MC10X110	4	31.	30 120	STEEL BOLT M6X60	
7.	30 888	LOCK NUT M10	4	32.	12 66 903	CLIP	
8.	66 61 734	LOCKING DEVICE	2	37.	13 12 543	BRACKET	2
9.	30 964	SCREW MC10X16	12	38.	30 583	SCREW MK8X25	4
10.	31 156	SPRING WASHER 10MM	8	39.	62 45 244	HOOK	2
11.	12 92 894	GUIDE ROLLER	2	40.	33 474	SPRING	1
12.	12 92 904	PIN	2	41.	62 45 264	BUSHING	2
13.	13 01 012	EXTENDABLE BEAM 1380MM	2	42.	30 178	SET SCR M12X35	2
14.	13 01 052	EXTENDABLE BEAM 700MM	2	43.	30 579	COUNTERSUNK SCR MK6X20	2
17.	33 241	CIRCLIP 90U	2	44.	33 473	SPRING	1
18.	12 92 923	HOUSING	2	45.	13 12 563	LOCK PLATE	1
19.	30 566	POINTING SCREW MSP8X16	2	46.	13 12 553	LOCK PLATE	1
20.	30 453	SCREW MC10X25	12				
21.	33 446	LOCK RING	2				
22.	12 90 080	MOUNTING KIT	2				
23.	64 254	BALL-BLACK					
24.	12 66 814	PIN					
25.	31 329	ZERK M6X1-0					



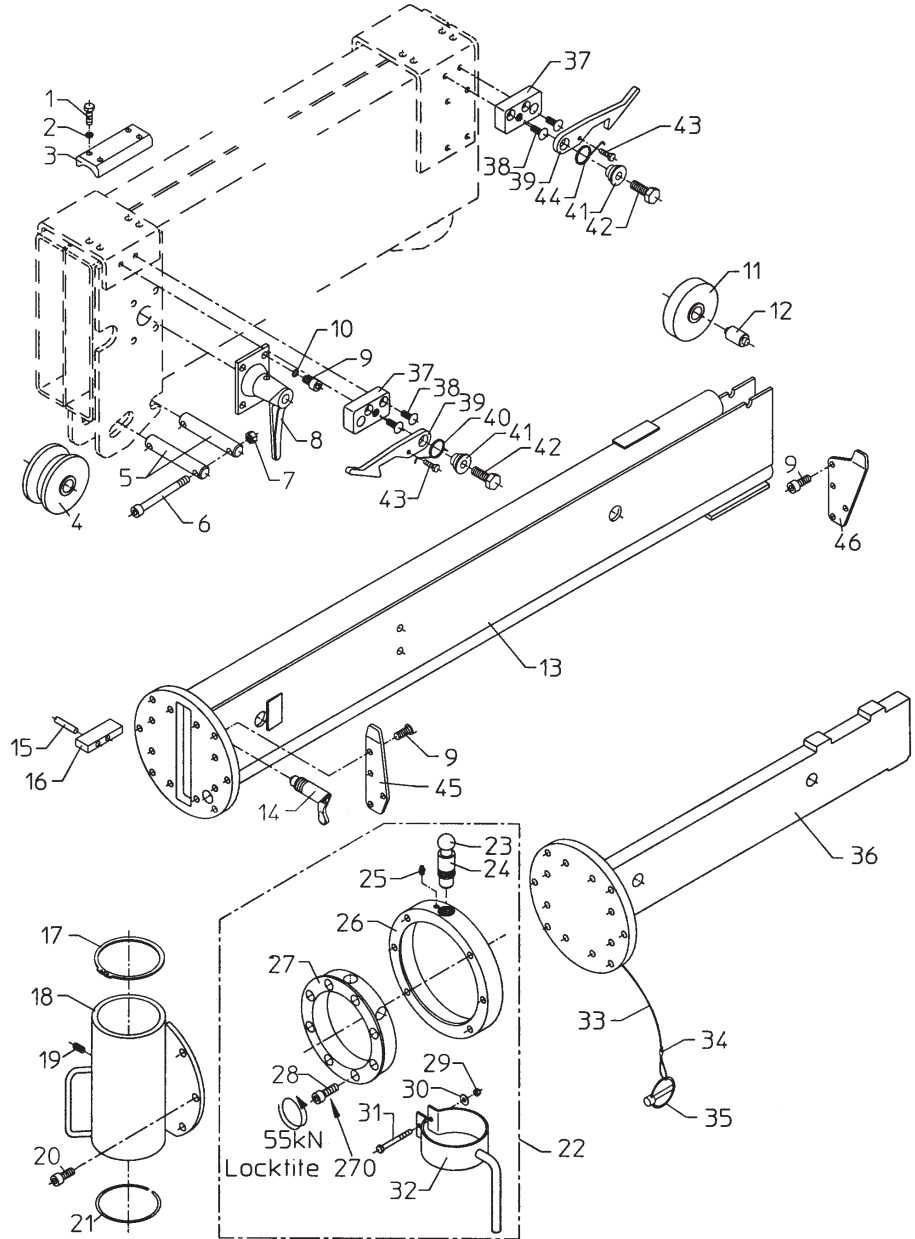
STABILIZER BEAM DV

1.	30 134	SET SCR M8X25	8	20.	30 453	SCREW MC10X25	12
2.	31 155	SPRING WASHER 8MM	8	21.	33 446	LOCK RING	2
3.	12 92 773	STOP	2	33.	62 160	WIRE	2
4.	12 92 784	GUIDE ROLLER	2	34.	62 161	WIRE LOCK	
5.	12 92 794	PIN	4	35.	33 385	SPLIT RINGØ4	
6.	32 427	SCREW MC10X110	4	36.	13 01 813	EXTENDABLE BEAM	2
7.	30 888	LOCK NUT M10	4	37.	13 12 543	BRACKET	2
8.	66 61 734	LOCKING DEVICE	2	38.	30 583	SCREW MK8X25	4
9.	30 964	SCREW MC10X16	12	39.	62 45 244	HOOK	2
10.	31 156	SPRING WASHER 10MM	8	40.	33 474	SPRING	1
11.	12 92 894	GUIDE ROLLER	2	41.	62 45 264	BUSHING	2
12.	12 92 904	PIN	2	42.	30 178	SET SCR M12X35	2
13.	13 01 012	EXTENDABLE BEAM 1380MM	2	43.	30 579	COUNTERSUNK SCR MK6X20	2
14.	12 00 624	BOLT	2	44.	33 473	SPRING	1
15.	31 217	RETAINING PIN ØX40	4	45.	13 12 563	LOCK PLATE	1
16.	12 93 044	STOP	2	46.	13 12 553	LOCK PLATE	1
17.	33 241	CIRCLIP 90U	2				
18.	12 92 923	HOUSING	2				
19.	30 566	POINTING SCREW MSP8X16	2				



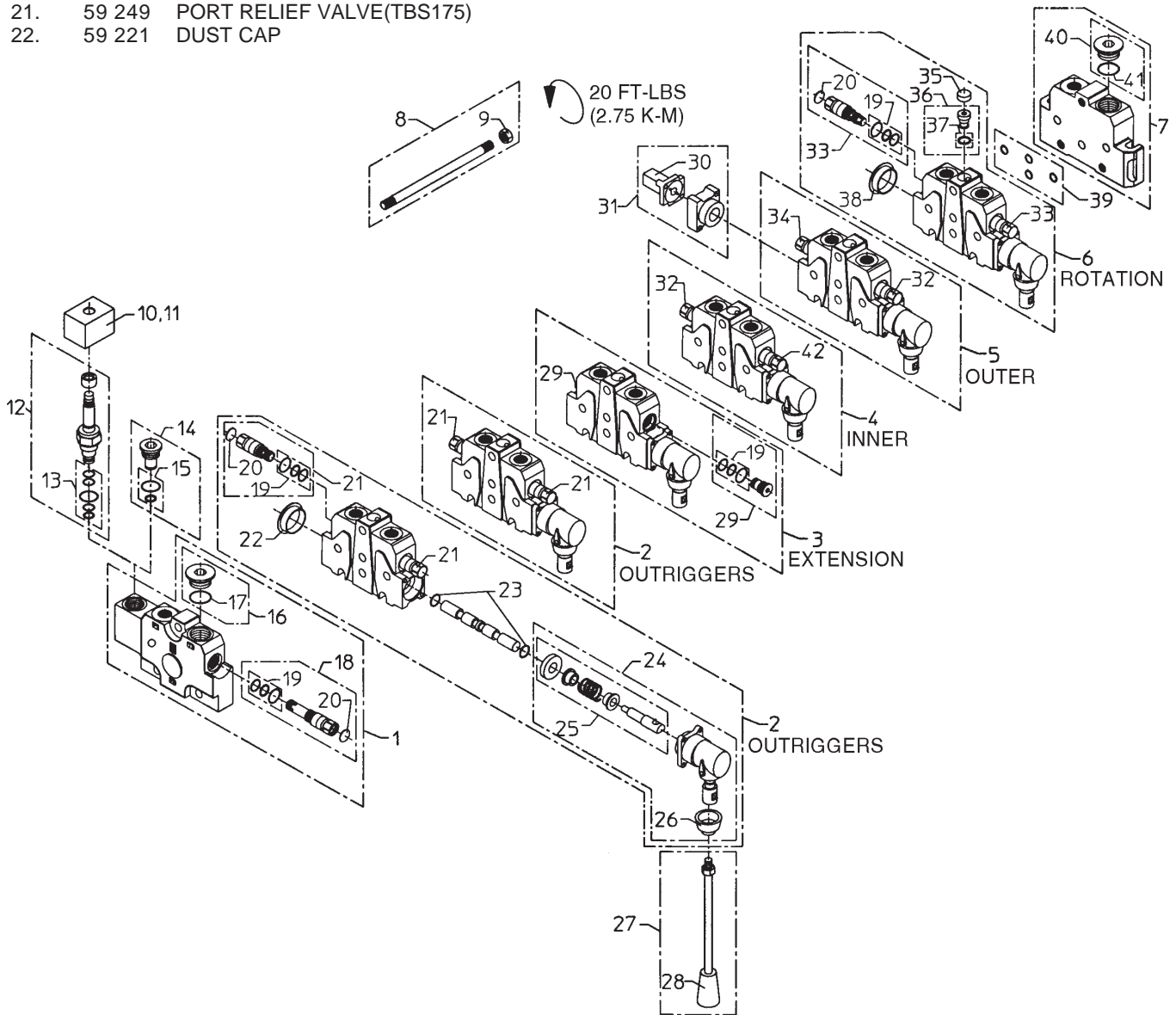
STABILIZER BEAM DR

1.	30 134	SET SCR M8X25	8	26.	12 93 023	DISC	
2.	31 155	SPRING WASHER 8MM	8	27.	12 93 033	DISC	
3.	12 92 773	STOP	2	28.	30 455	SCREW MC10X30	
4.	12 92 784	GUIDE ROLLER	2	29.	30 884	LOCK NUT M6	
5.	12 92 794	PIN	4	30.	31 134	WASHER 6MM	
6.	32 427	SCREW MC10X110	4	31.	30 120	STEEL BOLT M6X60	
7.	30 888	LOCK NUT M10	4	32.	12 66 903	CLIP	
8.	66 61 734	LOCKING DEVICE	2	33.	62 160	WIRE	
9.	30 964	SCREW MC10X16	12	34.	62 161	WIRE LOCK	
10.	31 156	SPRING WASHER 10MM	8	35.	33 385	SPLIT RINGØ4	
11.	12 92 894	GUIDE ROLLER	2	36.	13 01 813	EXTENDABLE BEAM	2
12.	12 92 904	PIN	2	37.	13 12 543	BRACKET	2
13.	13 01 012	EXTENDABLE BEAM 1380MM	2	38.	30 583	SCREW MK8X25	4
14.	12 00 624	BOLT	2	39.	62 45 244	HOOK	2
15.	31 217	RETAINING PIN ØX40	4	40.	33 474	SPRING	1
16.	12 93 044	STOP	2	41.	62 45 264	BUSHING	2
17.	33 241	CIRCLIP 90U	2	42.	30 178	SET SCR M12X35	2
18.	12 92 923	HOUSING	2	43.	30 579	COUNTERSUNK SCR MK6X20	2
19.	30 566	POINTING SCREW MSP8X16	2	44.	33 473	SPRING	1
20.	30 453	SCREW MC10X25	12	45.	13 12 563	LOCK PLATE	1
21.	33 446	LOCK RING	2	46.	13 12 553	LOCK PLATE	1
22.	12 90 080	MOUNTING KIT	2				
23.	64 254	BALL-BLACK					
24.	12 66 814	PIN					
25.	31 329	ZERK M6X1-0					



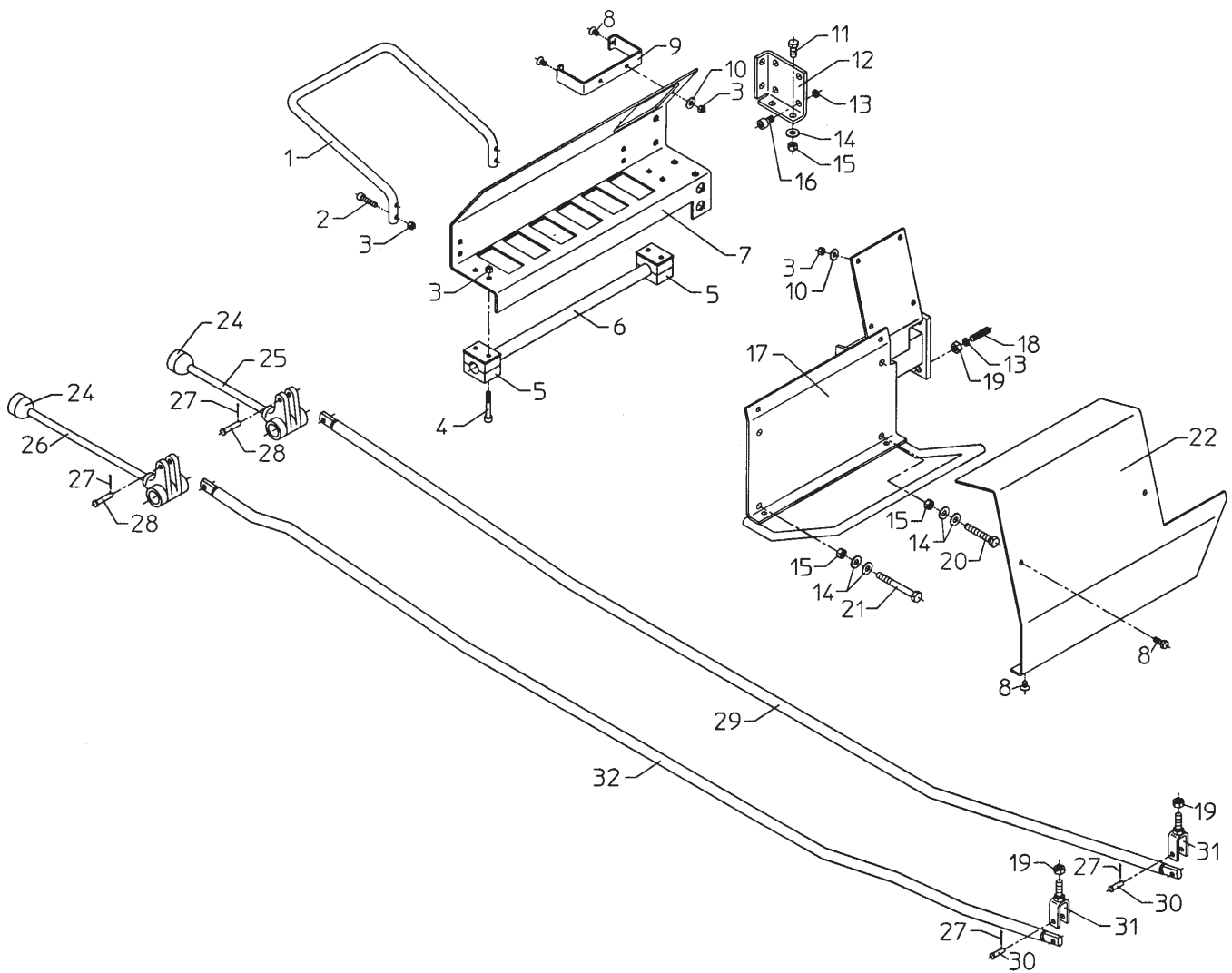
VALVE GROUP-RS150

- | | | | | | | | |
|-----|--------|------------------------------|---|--|-----|--------|---------------------------------|
| | 59 577 | VALVE BLOCK (COMPLETE) | 1 | | 23. | 59 230 | SEAL KIT |
| | 59 576 | VALVE BLOCK (COMPLETE) | 1 | | 24. | 59 225 | BRACKET |
| 1. | 59 150 | INLET SECTION | | | 25. | 59 227 | SPRING KIT |
| 2. | 59 149 | CTRL VALVE EXCL LEVER(1H) | | | 26. | 59 226 | RUBBER BELLOWS |
| 3. | 59 148 | CTRL VALVE EXCL LEVER(4H) | | | 27. | 59 223 | LEVER |
| 4. | 59 147 | CTRL VALVE EXCL LEVER(1H-01) | | | 28. | 59 224 | BALL |
| 5. | 59 146 | CTRL VALVE EXCL LEVER(1H-01) | | | 29. | 59 234 | PLUG |
| 6. | 59 145 | CTRL VALVE EXCL LEVER(1HS) | | | 30. | 59 243 | REPAIR KIT |
| 7. | 59 144 | OUTLET SECTION | | | 31. | 59 240 | SPOOL SENSOR (COMPLETE) |
| 8. | 59 235 | STAY BOLT (6 SECT) | | | 32. | 59 248 | PORT RELIEF VALVE(TB265) |
| 9. | 30 888 | LOCK NUT M10 | | | 33. | 59 246 | RELIEF & ANTI-CAV VALVE(TBS150) |
| 10. | 61 777 | SOLENOID 12V | | | 34. | 59 247 | RELIEF & ANTI-CAV VALVE(TBS100) |
| 11. | 61 778 | SOLENOID 26V | | | 35. | 61 688 | PLUG |
| 12. | 61 776 | CARTRIDGE | | | 36. | 61 480 | CHECK VALVE |
| 13. | 61 779 | SEAL KIT | | | 37. | 59 231 | SEAL KIT |
| 14. | 61 780 | PLUG | | | 38. | 59 222 | DUST CAP |
| 15. | 61 781 | SEAL KIT | | | 39. | 59 229 | SEAL KIT |
| 16. | 61 366 | PLUG 1/2"BSP | | | 40. | 59 232 | PLUG 3/8" |
| 17. | 20 129 | O-RING 17.3X2.4 | | | 41. | 59 233 | SEAL |
| 18. | 59 250 | MAIN RELIEF VALVE | | | 42. | 59 211 | RELIEF & ANTI-CAV VALVE(TBS200) |
| 19. | 59 228 | SEAL KIT | | | | | |
| 20. | 61 786 | WASHER | | | | | |
| 21. | 59 249 | PORT RELIEF VALVE(TBS175) | | | | | |
| 22. | 59 221 | DUST CAP | | | | | |



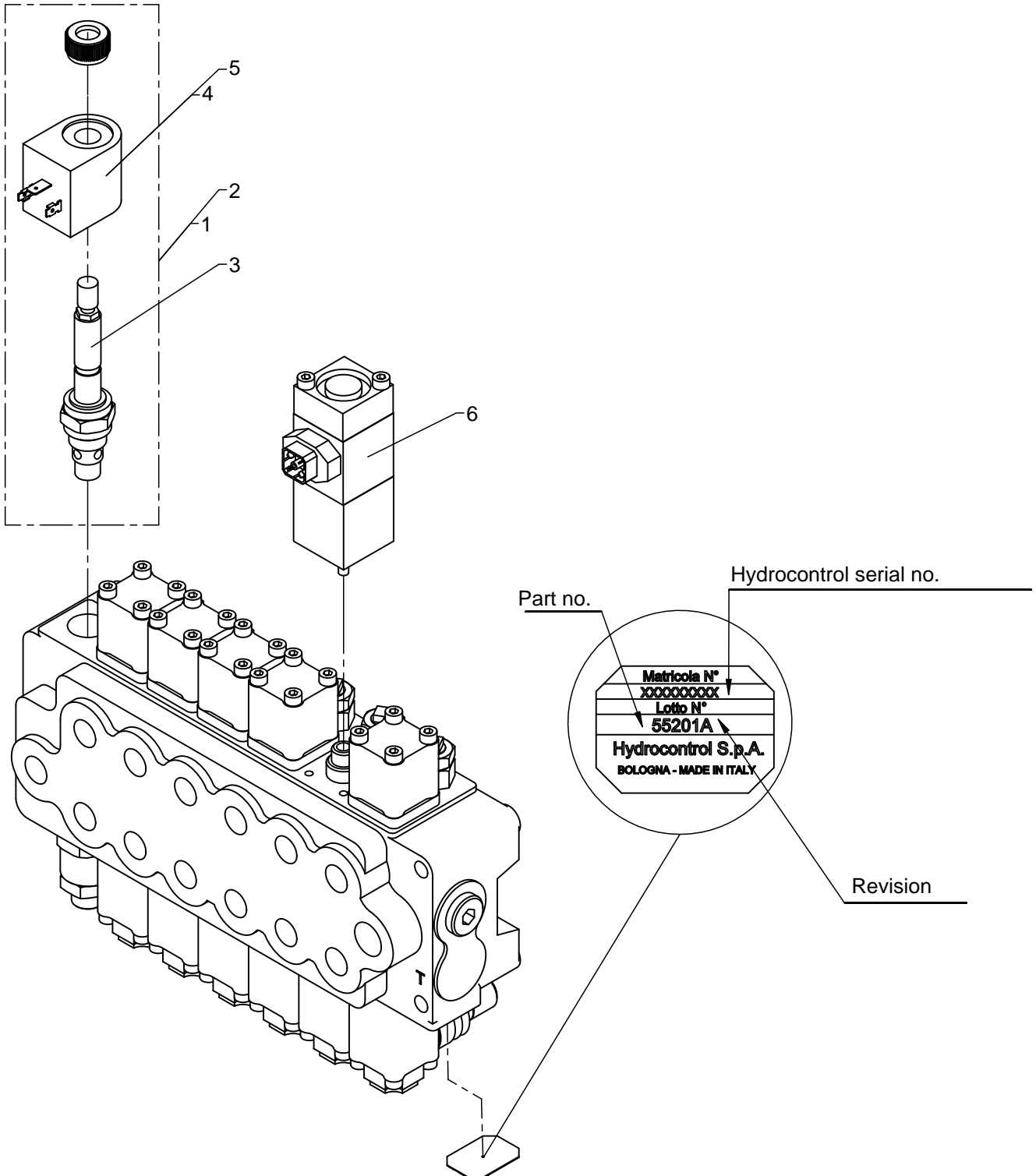
VALVE BRACKET & DUAL CONTROL-RS150

1.	12 93 334	SAFETY GUARD	1	17.	12 93 233	VALVE BRACKET	1
2.	30 962	STEEL BOLT MC6X25	4	18.	32 407	SCREW MSP8X30	4
3.	30 884	LOCK NUT M6	14	19.	30 856	NUT M8	10
4.	32 414	STEEL BOLT MC6X40	4	20.	30 139	STEEL BOLT M8X50	1
5.	31 428	CLAMP	2	21.	30 142	STEEL BOLT M8X70	2
6.	66 60 974	PIN (7 LEVER)	1	22.	66 096	PROTECTIVE PLATE	1
7.	66 099	PROTECTIVE PLATE	1	24.	64 262	BALL Ø32X10MM	6
8.	30 997	SCREW M6X10	6	25.	66 60 933	CONTROL LEVER-SHORT	2
9.	66 098	CLAMP	1	26.	66 60 913	CONTROL LEVER-LONG	4
10.	31 134	WASHER 6MM	6	27.	31 601	SPLIT PIN Ø1.5X20	12
11.	30 131	SET SCR M8X16	4	28.	31 274	COTTER BOLT Ø6X30	6
12.	66 097	BRACKET	1	29.	12 93 343	CONNECTING ROD	5
13.	31 155	SPRING WASHER 8MM	4	30.	31 271	COTTER BOLT Ø6X20	6
14.	31 136	WASHER 8MM	10	31.	12 93 324	CLEVIS	6
15.	30 886	LOCK NUT M8	7	32.	13 01 733	CONNECTING ROD	1
16.	32 415	STEEL BOLT MC8X14	4				



CONTROL VALVE, M50

	55201	CONTROL VALVE	1
	55207	CONTROL VALVE	1
1.	55348	DUMP VALVE 12V	1
2.	55347	DUMP VALVE 26V	1
3.	55346	CARTRIDGE	1
4.	55344	SOLENIOD 12V	1
5.	55345	SOLENIOD 26V	1
6.	55250	SPOOL SENSOR	1



SEE 6650093 FOR ADDITIONAL PARTS

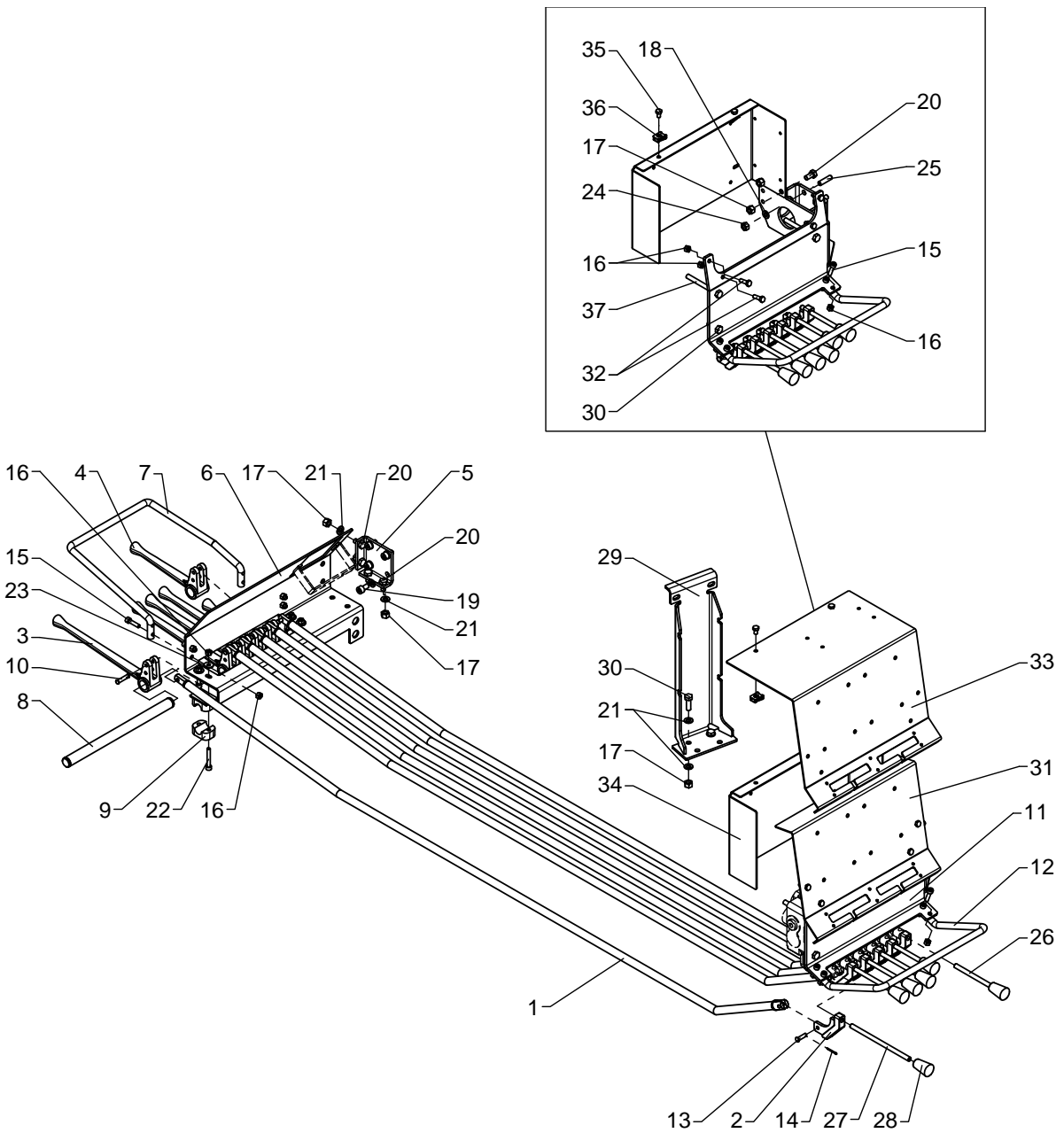
6/39: 081 05 101: 20090608

VALVE BRACKET & DUAL CONTROL-M50

1.	1297483	CONNECTING ROD	6
2.	63450	ADAPTER FOR DUAL CONTROLS	6
3.	63443	LEVER FOR DUAL CONTROLS	4
4.	63444	LEVER FOR DUAL CONTROLS	2
5.	66097	BRACKET	1
6.	1297393	BRACKET, DUAL CTRL, 6 F	1
7.	1297403	SAFETY GUARD, DUAL CTRL, 6 F.	1
8.	6660954	PIN FOR 5 LEVERS	1
9.	31428	CLAMP	2
10.	63468	SPLIT PIN WITH SPRING LOCK	6
11.	1297413	VALVE BRACKET, SV.	1
12.	1297503	CLAMP FOR LEVER	1
13.	31271	COTTER BOLT Ø6 X 21	6
14.	31601	SPLIT PIN, SS Ø1,6 X 20	6
15.	30962	SCREW, SS MC6 X 25	8
16.	30884	LOCK NUT, SS M6	16
17.	30886	LOCK NUT, SS M8	8
18.	31155	SPRING WASHER 8 MM	8

PARTS-32

19.	32415	SOCKETHEAD SCREW MC8 X 14	4
20.	30131	SET SCREW, SS M8 X 16	6
21.	31147	WASHER, SS 8 MM	8
22.	32414	SCREW MC6 X 40	4
23.	31134	WASHER, SS 6 MM	4
24.	30856	NUT, SS	4
25.	30578	SCREW MSP8 X 30	4
26.	1320252	CONTROL LEVER, SHORT, STR.	2
27.	1320253	CONTROL LEVER, LONG, STR.	4
28.	59224	KNOB FOR LEVER	6
29.	1298142	HOSE BRACKET	1
30.	30134	SET SCREW, SS M8X25	3
31.	1297473	PROTECTION PLATE	1
32.	30113	SET SCREW, SS M6X20	4
33.	1297452	PROT. PLATE CTRL VALVE/RC	1
34.	1297463	BRCKT, REMOTE CONTROL	1
35.	30110	SET SCREW, SS M6 X 10	2
36.	31068	CLIP M6 0.5 - 4.0 MM	2
37.	30143	STEEL BOLT, SS M8X80	2

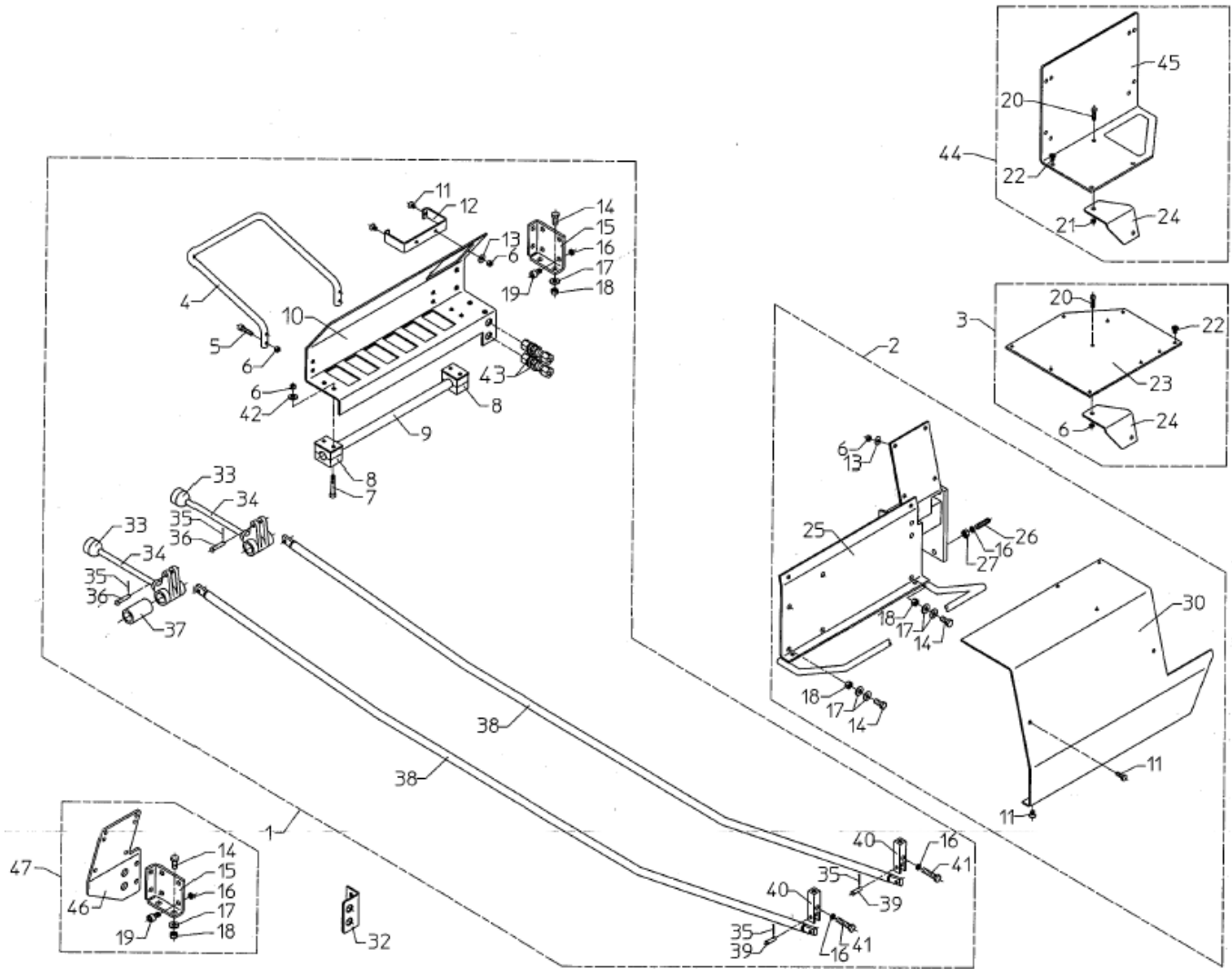


VALVE BRACKET & DUAL CONTROL-M50

1.	12 93 990	DUAL CONTROL	
2.	12 95 000	VALVE BRACKET	
3.	12 95 010	BRACKET	
4.	12 93 334	SAFETY GUARD	1
5.	30 962	SCREW MC6X25	4
6.	30 884	LOCK NUT M6	14
7.	32 414	STEEL BOLT MC6X40	4
8.	31 428	CLAMP 18MM	2
9.	66 60 974	PIN (7 LEVER)	1
10.	66 099	PROTECTIVE PLATE	1
11.	30 997	SCREW M6X10	8
12.	66 098	CLAMP	1
13.	31 134	WASHER 6MM	6
14.	30 131	SET SCR M8X16	8
15.	66 097	BRACKET	1
16.	31 155	SPRING WASHER 8MM	10
17.	31 147	WASHER 16 X 1.6	10
18.	30 886	LOCK NUT M8	7
19.	32 415	STEEL BOLT MC8X14	4
20.	30 113	SET SCREW M6X20	5
21.	30 859	LOCK NUT M5	8
22.	30 101	SET SCREW M5X12	4

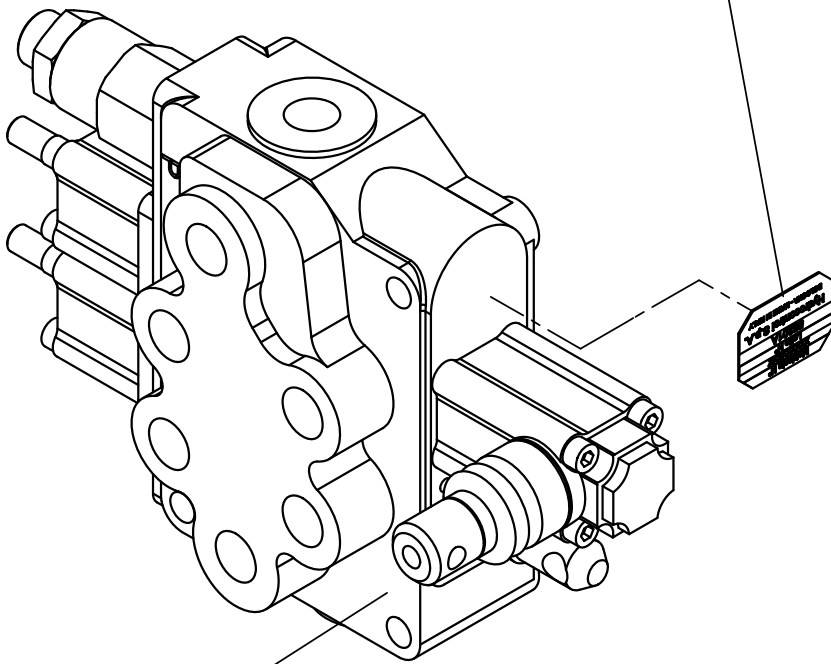
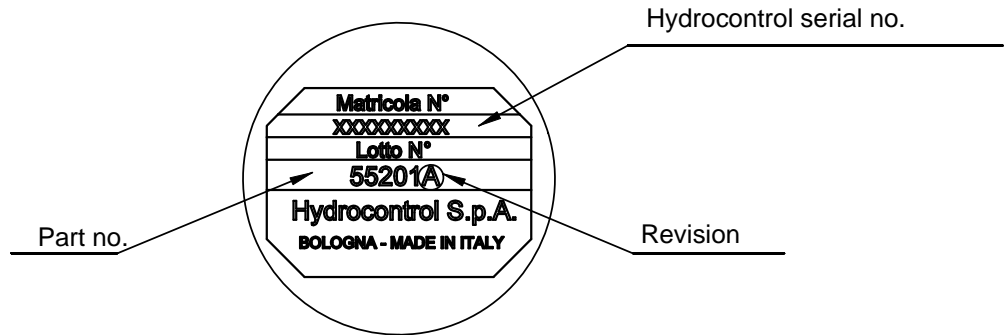
PARTS-33

23.	66 108	BRACKET	1
24.	66 109	FITTINGS	1
25.	12 94 113	VALVE BRACKET	1
26.	32 407	SCREW MSP8X30	4
27.	30 856	NUT M8	4
30.	66 108	PROTECTIVE PLATE	1
32.	12 94 194	CLAMP	1
33.	64 262	BALL Ø32 X 10	2
34.	66 60 933	CONTROL LEVER, SHORT	2
35.	31 601	SPLIT PIN Ø1.5X20	4
36.	31 274	COTTER BOLT Ø6X30	2
37.	64 122	BUSHING	4
38.	12 94 073	CONNECTING ROD	2
39.	31 271	COTTER BOLT Ø6X20	2
40.	12 96 494	FORK	2
41.	30 136	STEEL BOLT	2
42.	31 154	SPRING WASHER 6MM	4
43.	25 261	BULKHEAD CONNECTION	2
44.	12 96 570	FITTINGS	1
45.	12 96 523	BRACKET	
46.	12 96 503	PLATE	
47.	12 96 560	FITTINGS	1



VALVE BLOCK FOR SERIAL CONNECTION

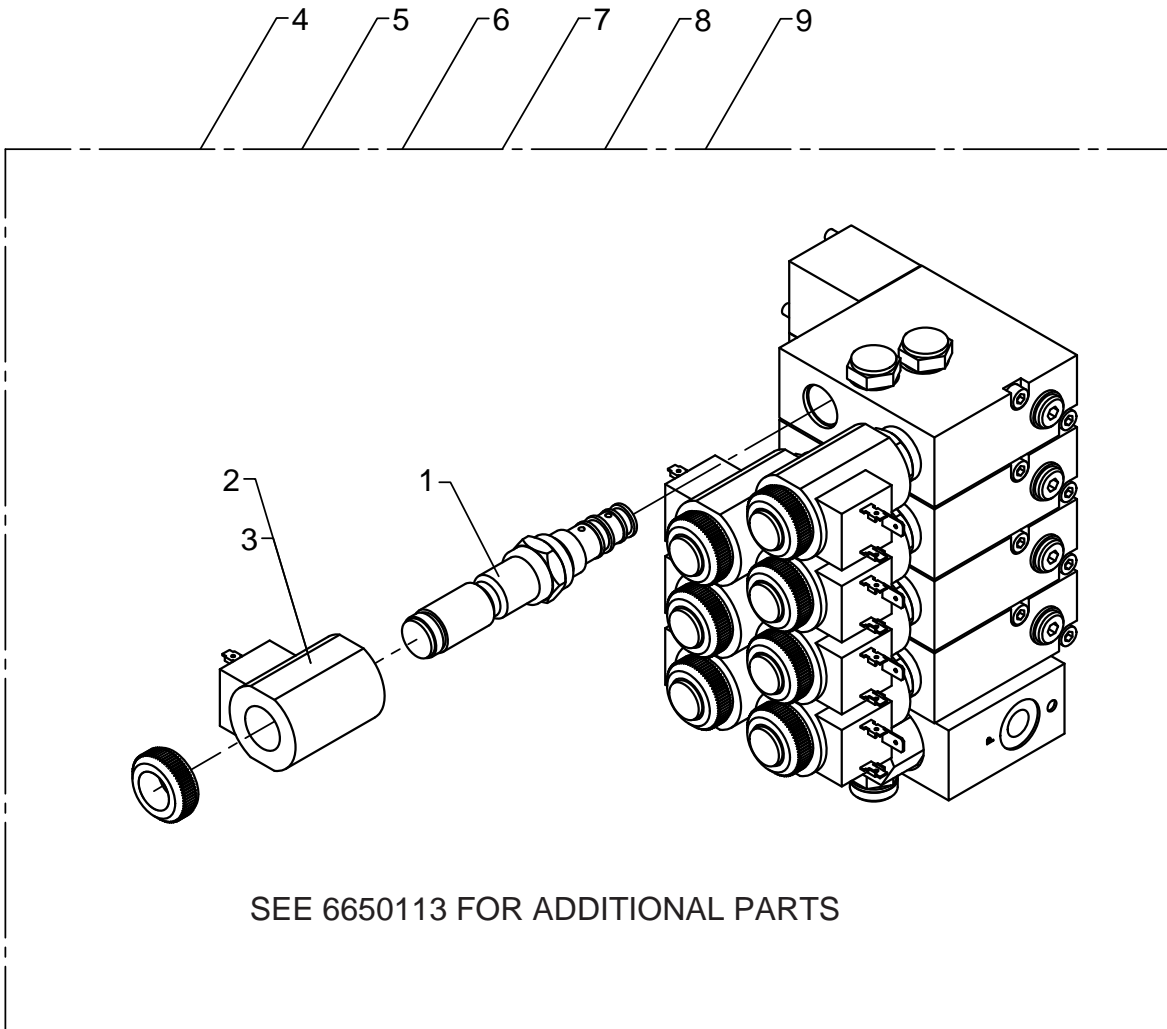
- 1. 55202 STABILIZER CONTROL VALVE 1



1 — SEE 6650123 FOR ADDITIONAL PARTS

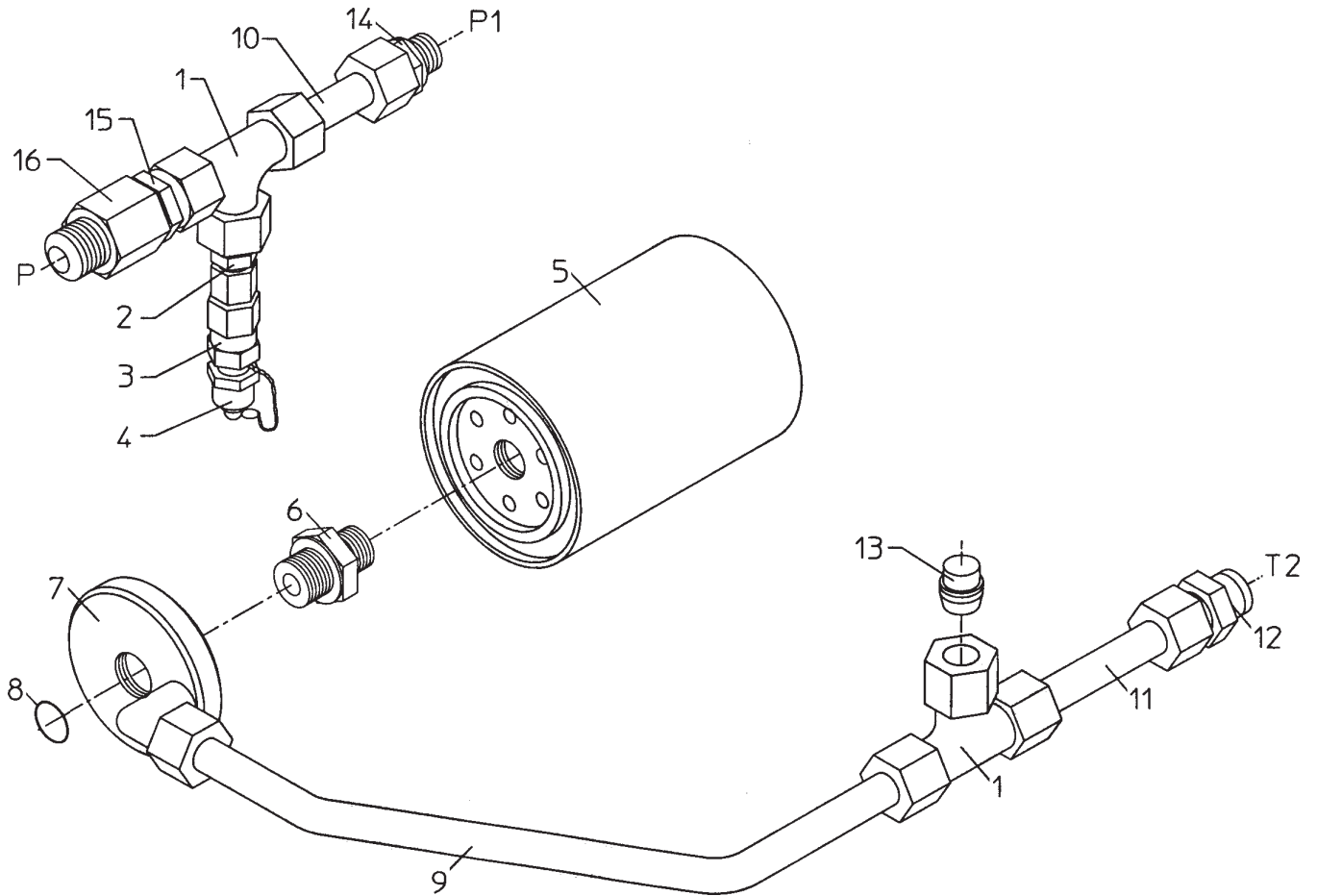
ELECTRO-HYDRAULIC NEM-KIT (NEM RADIO REMOTE CONTROL)

- 1. 55320 CARTRIDGE 12V
- 2. 55321 SOLENOID 24V
- 3. 55323 SOLENOID 12V
- 4. 55244 ELECTRO-HYDRAULIC NEM-KIT 4X24V
- 5. 55247 ELECTRO-HYDRAULIC NEM-KIT 5X12V
- 6. 55245 ELECTRO-HYDRAULIC NEM-KIT 5X24V
- 7. 55248 ELECTRO-HYDRAULIC NEM-KIT 6X12V
- 8. 55246 ELECTRO-HYDRAULIC NEM-KIT 6X24V
- 9. 55249 ELECTRO-HYDRAULIC NEM-KIT



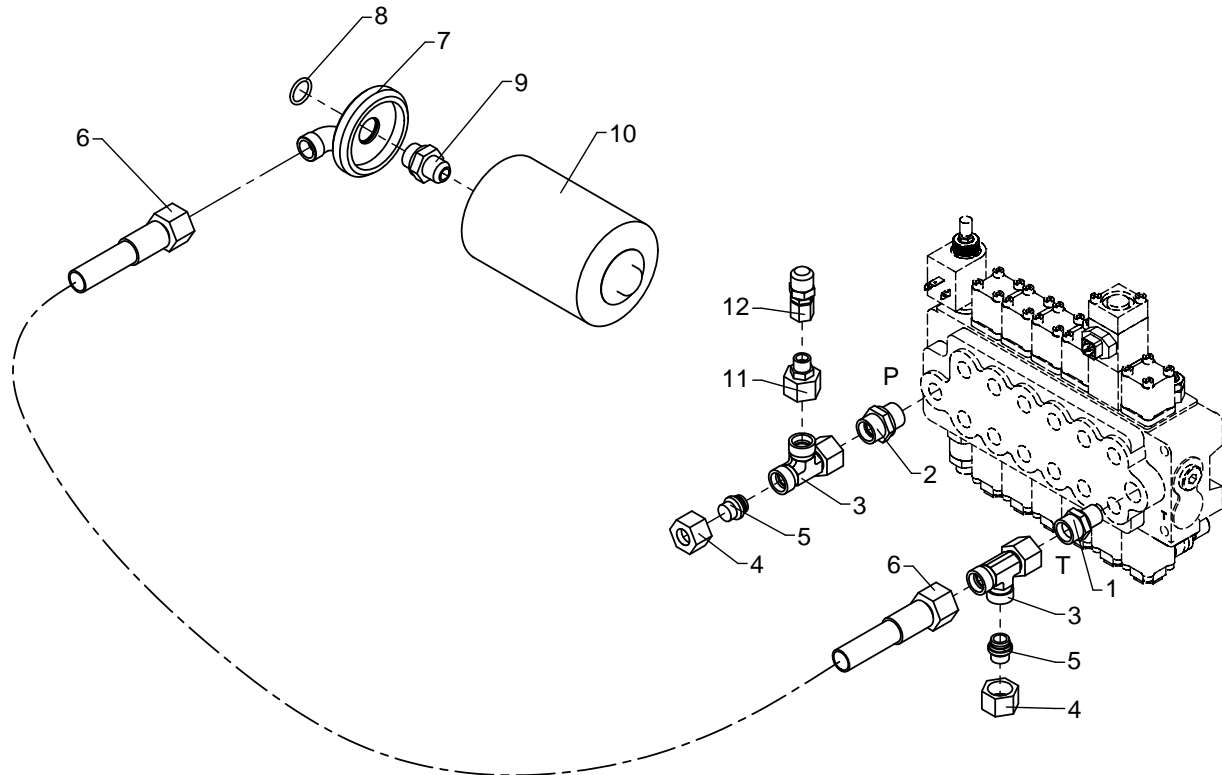
HYDRAULIC SYSTEM-PUMP & TANK-RS150

1.	25 153	CONNECTION	2	9.	13 01 694	PIPE	1
2.	25 160	REDUCING CONNECTION	1	10.	12 72 654	PIPE	1
3.	26 370	CONNECTION	1	11.	12 93 634	PIPE	1
4.	26 103	PRESSURE GAUGE CONN.	1	12.	25 143	CONNECTION	1
5.	60 212	FILTER	1	13.	26 168	BLANKING PLUG	1
6.	25 832	ADPTR-MJIC/METRIC STR	1	14.	25 273	CONNECTION	1
7.	12 61 833	FITTINGS	1	15.	25 822	CONNECTION	1
8.	20 145	O-RING 18.72X2.62	1	16.	25 837	CONNECTION	1



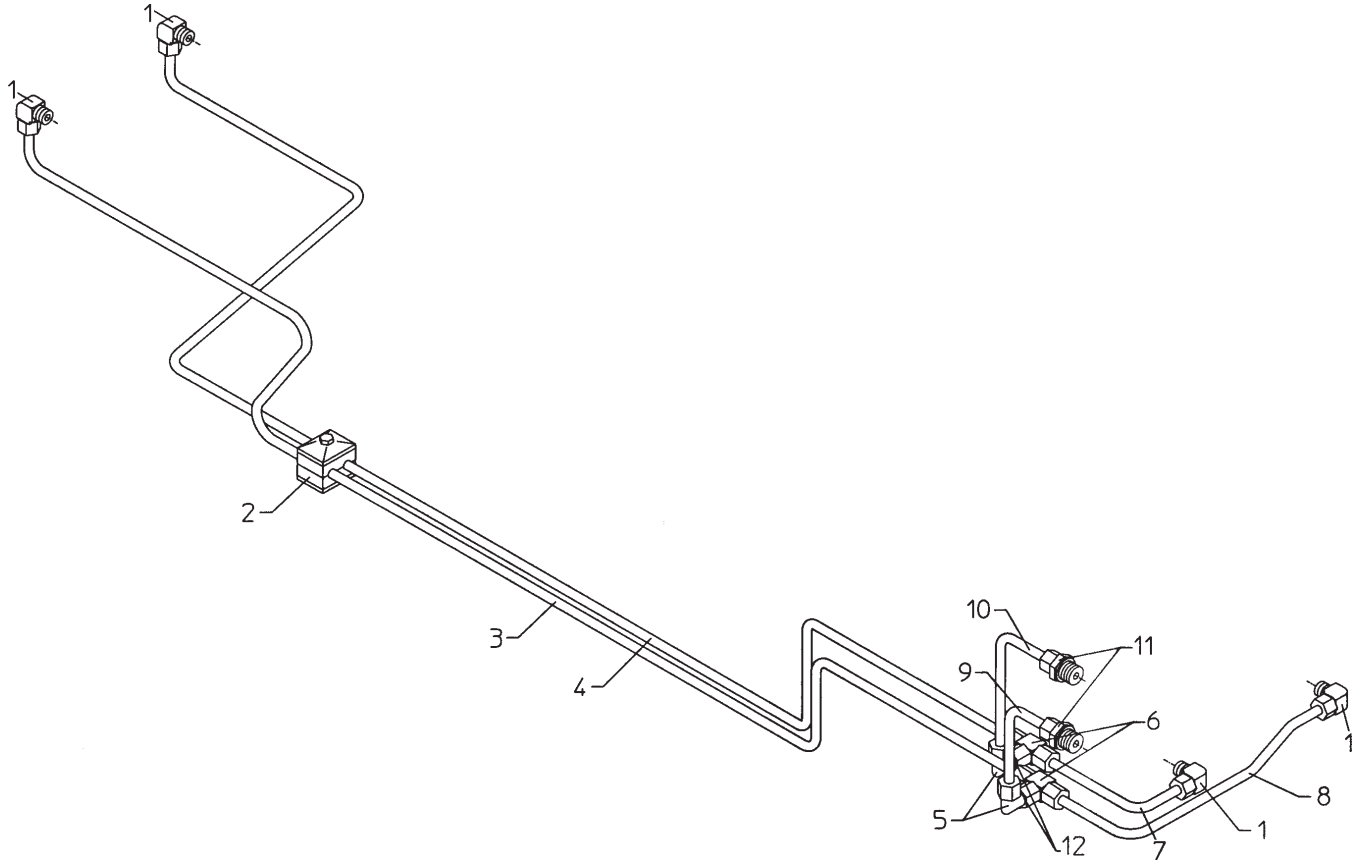
HYDRAULIC SYSTEM-PUMP & TANK-M50

1.	25273	CONNECTION	1
2.	25143	CONNECTION	1
3.	26142	CONNECTION	2
4.	25184	COUPLING NUT	2
5.	26168	BLANKING PLUG	2
6.	56270	HOSE 1/2" X 450 L/L	1
7.	1261833	FITTINGS	1
8.	20145	O-RING OR 18.72 X 2.62	1
9.	25832	STR. CONNECTION	1
		F40XS 12-1/2 JIC	
10.	60212	FILTER	1
11.	25160	REDUCING CONNECTION	1
12.	26148	CONNECTION	1



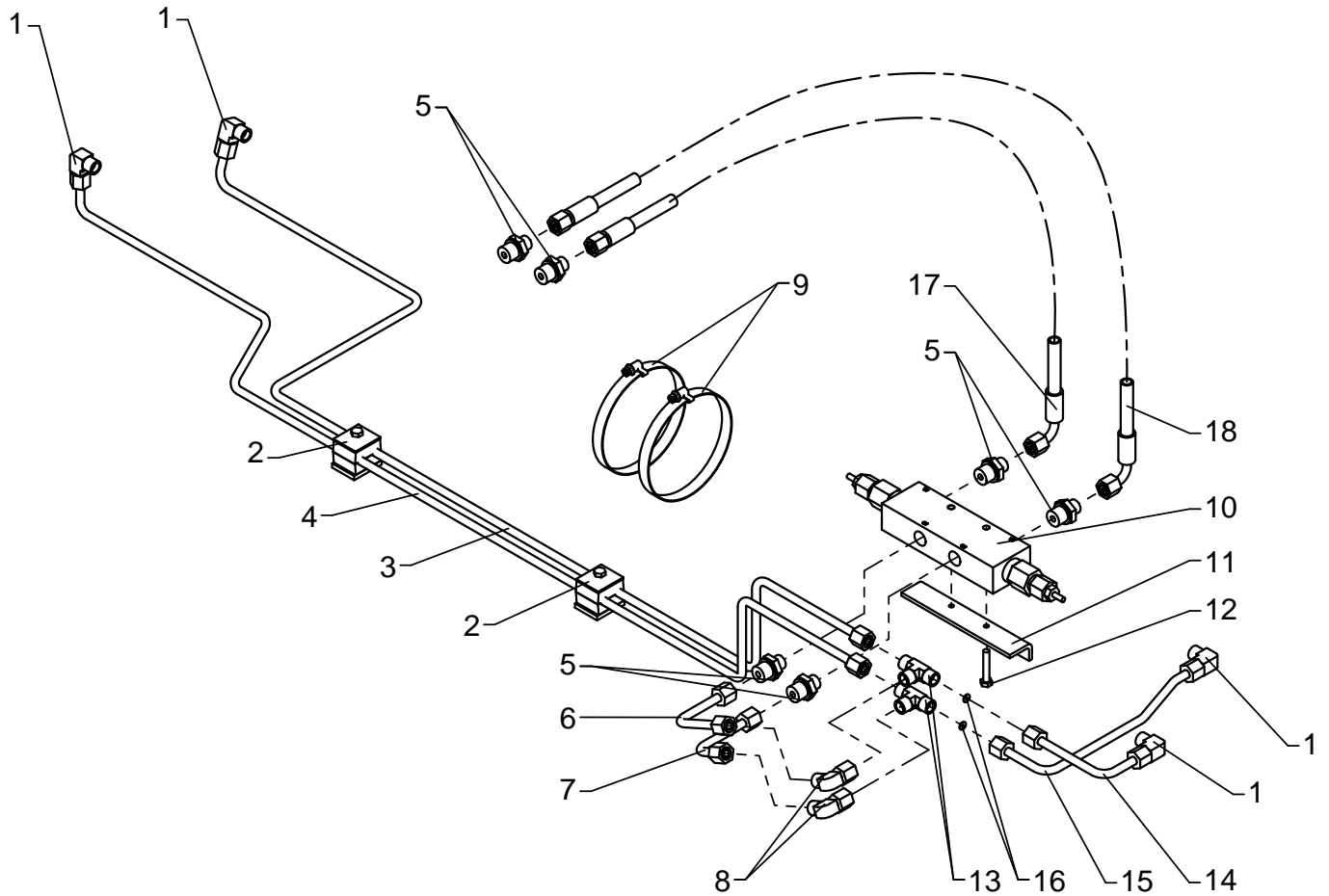
HYDRAULIC SYSTEM-ROTATION CYLINDER-RS150

1.	25 117	CONNECTION	4
2.	31 417	CLAMP 2X8MM	2
3.	13 01 653	PIPE	1
4.	13 01 633	PIPE	1
5.	25 248	CONNECTION	2
6.	25 114	CONNECTION	2
7.	12 93 664	PIPE	1
8.	13 01 644	PIPE	1
9.	13 01 624	PIPE	1
10.	13 01 614	PIPE	1
11.	25 244	CONNECTION	2
12.	60 963	WASHER Ø8/2X1	2



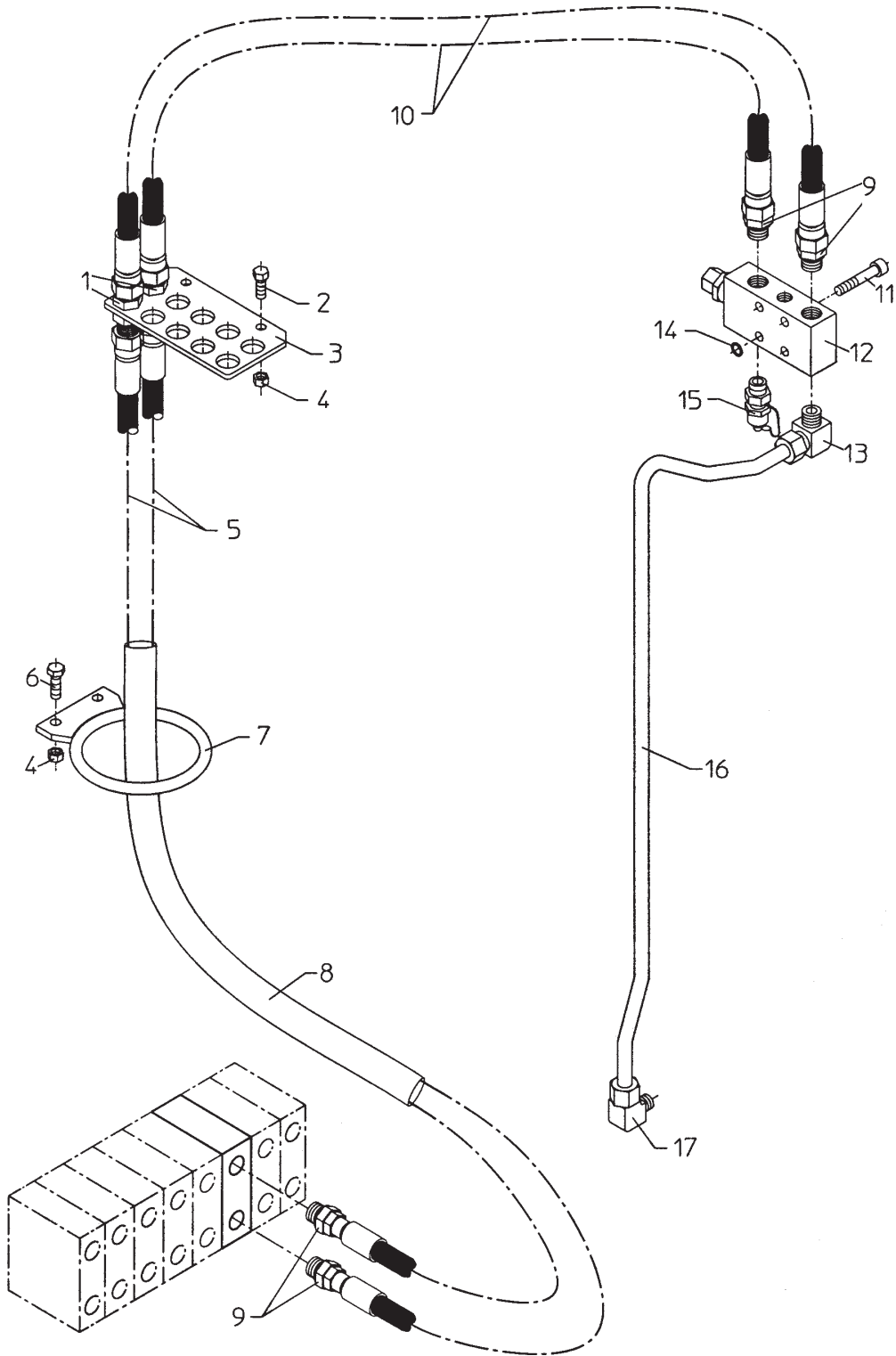
HYDRAULIC SYSTEM-ROTATION CYLINDER WITH LHV, M50

1.	25 117	CONNECTION	4
2.	31 417	CLAMP 2X8MM	2
3.	13 01 633	PIPE	1
4.	13 01 653	PIPE M50	1
5.	25 244	CONNECTION	6
6.	13 01 864	PIPE	1
7.	13 01 874	PIPE	1
8.	25 248	CONNECTION	2
9.	31 407	CLIP	2
10.	59 977	LOAD-HOLDING VALVE	1
11.	13 01 904	PLATE	1
12.	30 116	STEEL BOLT, SS M6X35	2
13.	25 114	CONNECTION	2
14.	12 93 664	PIPE	1
15.	13 01 644	PIPE	1
16.	60 963	WASHER	2
17.	62 525	HOSE	1
18.	62 526	HOSE	1



HYDRAULIC SYSTEM-INNER BOOM CYLINDER-C100-600

1.	25 824	CONNECTION	2	10.	62 857	HOSE 3/8"X1150 O/O	2
2.	30 132	SET SCR M8X20	2	11.	30 436	SCREW MC8X45	4
3.	12 95 254	CLAMP	1	12.	59 955	LOAD HOLDING VALVE	1
4.	30 886	LOCK NUT M8	4	13.	25 132	CONNECTION	1
5.	62 860	HOSE 3/8"X2200 O/O	2	14.	20 138	O-RING 10.77X2.62	
6.	30 134	SET SCR M8X25	2	15.	26 103	PRESSURE GAUGE CONN.	1
7.	12 94 054	HOSE GUIDE	1	16.	13 01 664	PIPE	1
8.	62 598	PROTECTIVE COVER	1	17.	25 134	CONNECTION	1
9.	25 831	CONNECTION	4				



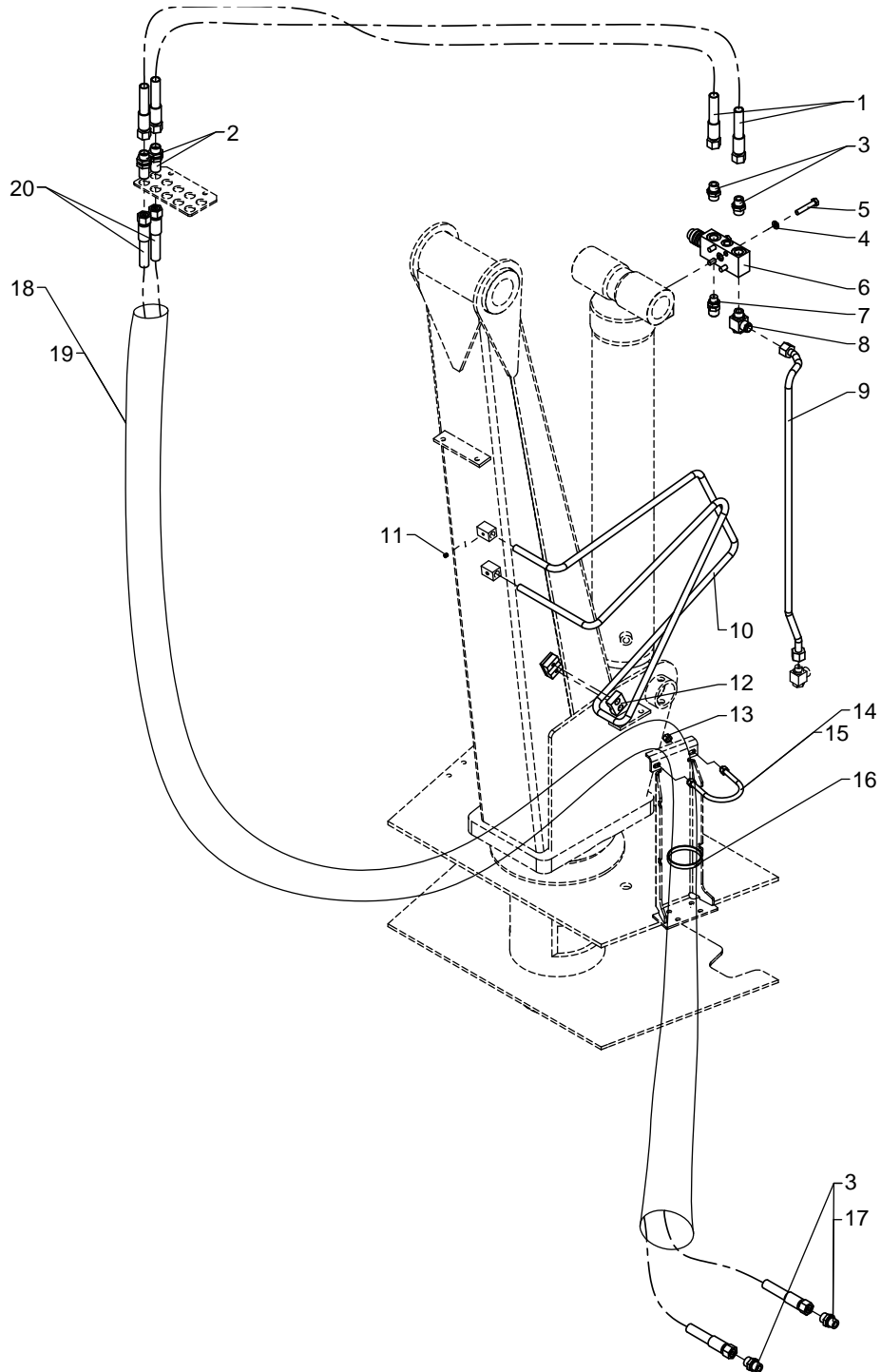
6/39: 081 05 260: 20090608

PARTS-41

HYDRAULIC SYSTEM-BOOM CYLINDER-C= 6 O'CLOCK, M50

1.	17650	HOSE	2	12.	31425	CLAMP	1
2.	25201	BULKHEAD CONNECTION	2	13.	30886	LOCK NUT, STAINLESS M8	3
3.	25127	CONNECTION	4	14.	31816	HOSE CLIP *	1
4.	31155	SPRING WASHER 8MM	4	15.	31884	HOSE CLIP **	1
5.	30138	STEEL BOLT, STAINLESS M8 X 45	4	16.	27275	CLIP	1
6.	59955	LOAD-HOLDING VALVE	1	17.	25108	CONNECTION	2
7.	26103	PRESSURE-GAUGE CONNECT.	1	18.	62599	PROTECTIVE COVER *	1
8.	25130	BANJO CONNECTION	1	19.	62602	PROTECTIVE COVER **	1
9.	1301664	PIPE	1	20.	17290	HOSE	2
10.	1298123	HOSE GUIDE	1				
11.	31548	POINTED SCREW, SS MSP6 X 6	2				

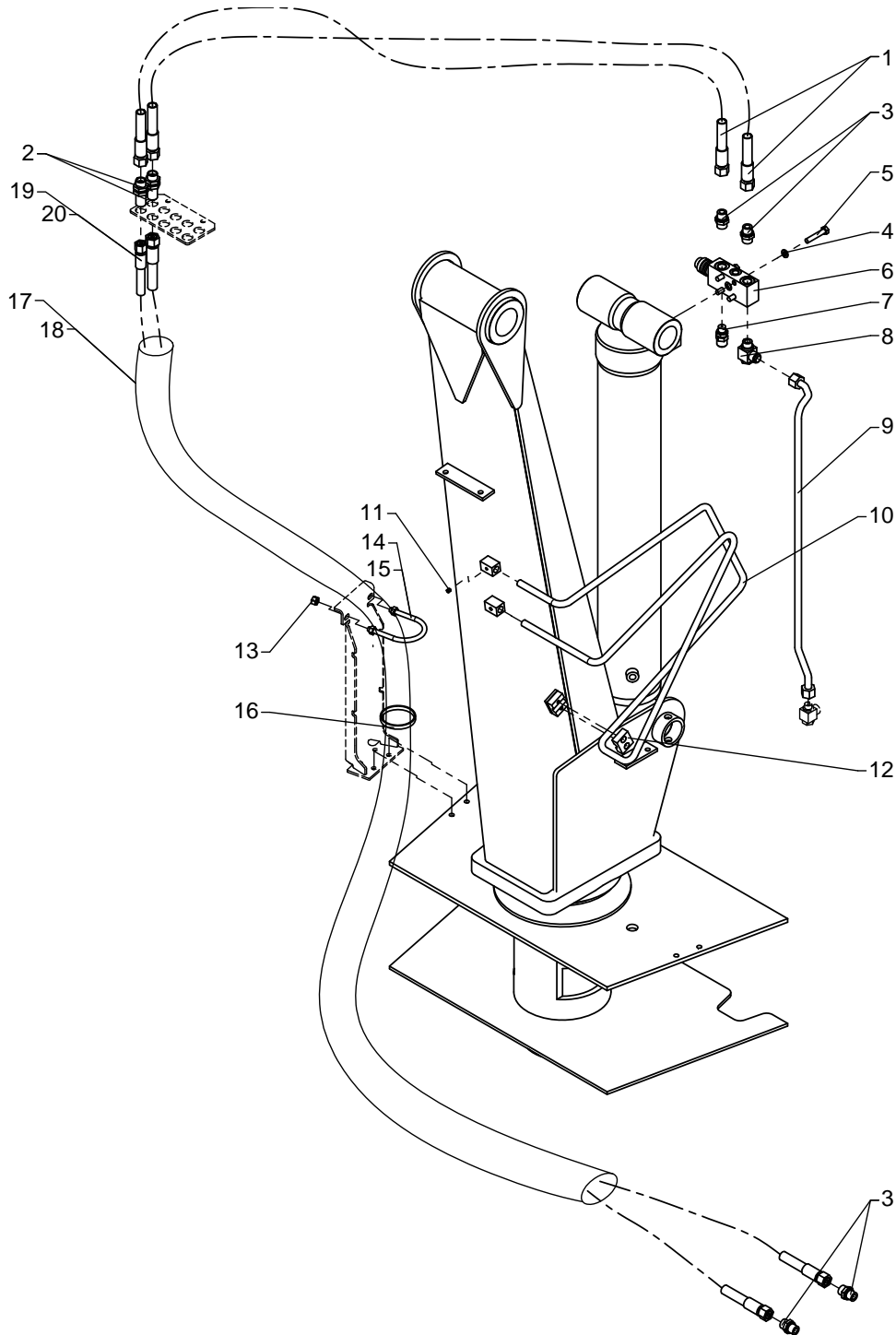
NOTE: * EXCLUDING WINCH OR EXV
 ** INCLUDING WINCH OR EXV



HYDRAULIC SYSTEM-BOOM CYLINDER-C=KL: 12 O'CLOCK, M50

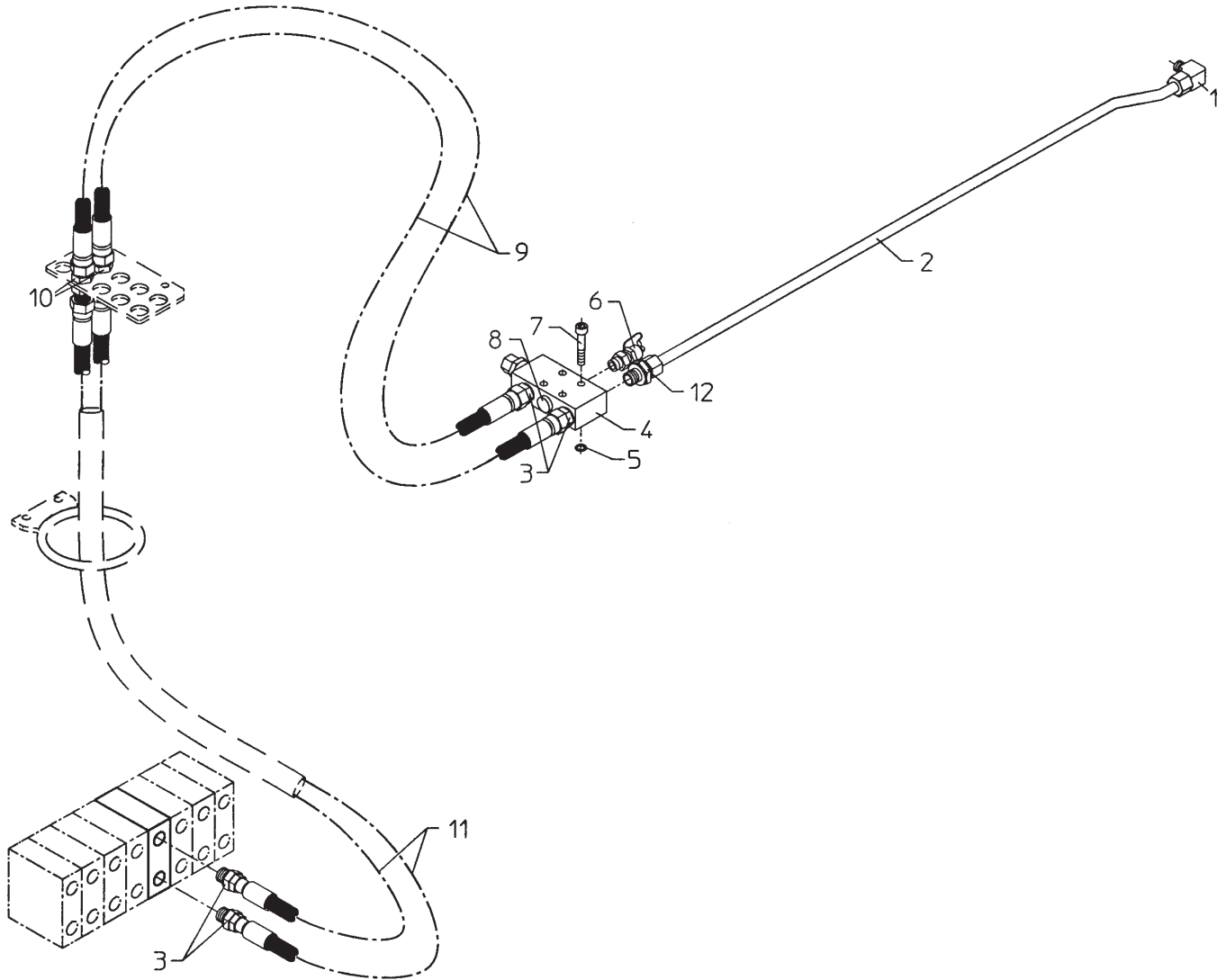
1.	17650	HOSE	2	12.	31425	CLAMP	1
2.	25201	BULKHEAD CONNECTION	2	13.	30886	LOCK NUT, SS M8	2
3.	25127	CONNECTION	4	14.	31816	HOSE CLIP *	1
4.	31155	SPRING WASHER 8 MM	4	15.	31884	HOSE CLIP **	1
5.	30138	STEEL BOLT, SS M8 X 45	4	16.	27275	CLIP	1
6.	59955	LOAD-HOLDING VALVE	1	17.	62599	PROTECTIVE COVER *	1
7.	26103	PRESSURE-GAUGE CONNECT.	1	18.	62602	PROTECTIVE COVER **	1
8.	25130	BANJO CONNECTION	1	19.	15250	HOSE	2
9.	1301664	PIPE	1	20.	15580	HOSE	2
10.	1298123	HOSE GUIDE	1				
11.	31548	POINTED SCREW, SS MSP6 X 6	2				

NOTE: * EXCLUDING WINCH OR EXV
 ** INCLUDING WINCH OR EXV



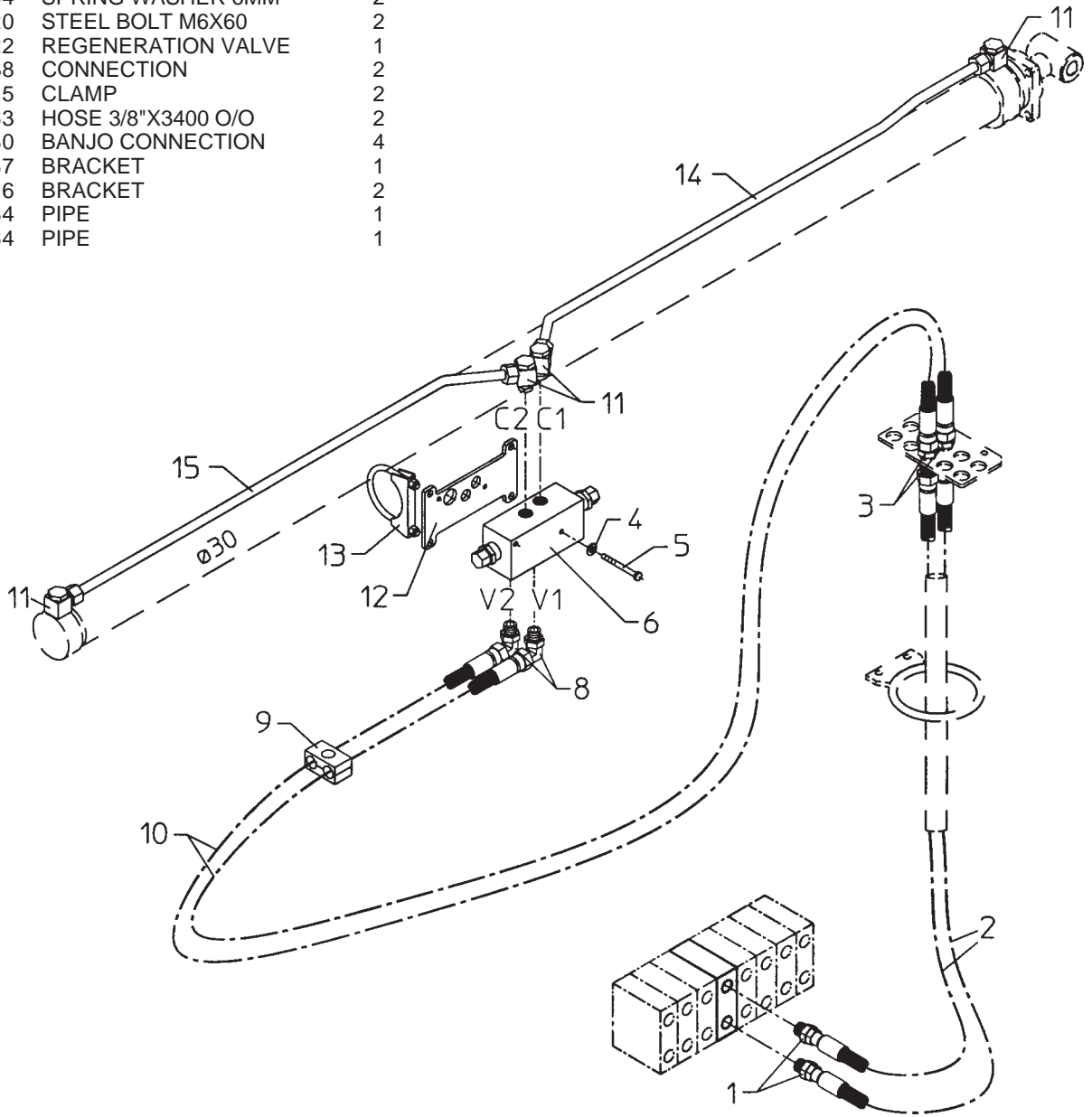
HYDRAULIC SYSTEM-OUTER BOOM CYLINDER-C100-760

1.	25 134	CONNECTION	1
2.	12 93 884	PIPE	1
3.	25 831	CONNECTION	4
4.	59 955	LOAD HOLDING VALVE	1
5.	20 138	O-RING 10.77X2.62	1
6.	26 103	PRESSURE GAUGE CONN.	1
7.	30 436	SCREW MC8X45	4
8.	25 197	PLUG	1
9.	62 857	HOSE 3/8"X1150 O/O	2
10.	25 824	CONNECTION	2
11.	62 860	HOSE 3/8"X2200 O/O	2
12.	25 127	CONNECTION	1



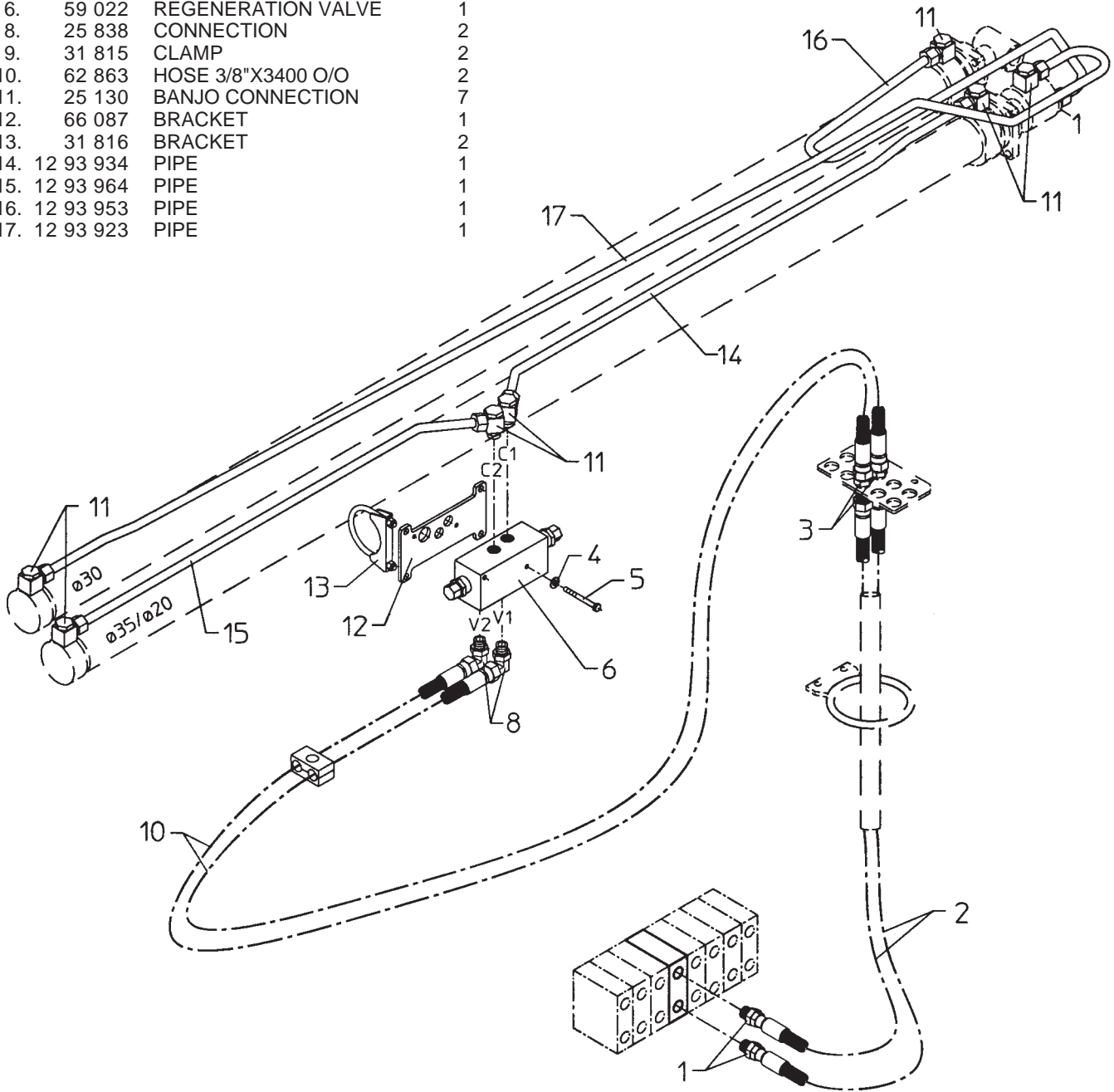
HYDRAULIC SYSTEM-EXT CYLINDER-1H-C50-1700

1.	25 127	CONNECTION	2
2.	62 860	HOSE 3/8"X2200 O/O	2
3.	25 824	CONNECTION	2
4.	31 154	SPRING WASHER 6MM	2
5.	30 120	STEEL BOLT M6X60	2
6.	59 022	REGENERATION VALVE	1
8.	25 838	CONNECTION	2
9.	31 815	CLAMP	2
10.	62 863	HOSE 3/8"X3400 O/O	2
11.	25 130	BANJO CONNECTION	4
12.	66 087	BRACKET	1
13.	31 816	BRACKET	2
14.	12 93 934	PIPE	1
15.	12 93 964	PIPE	1



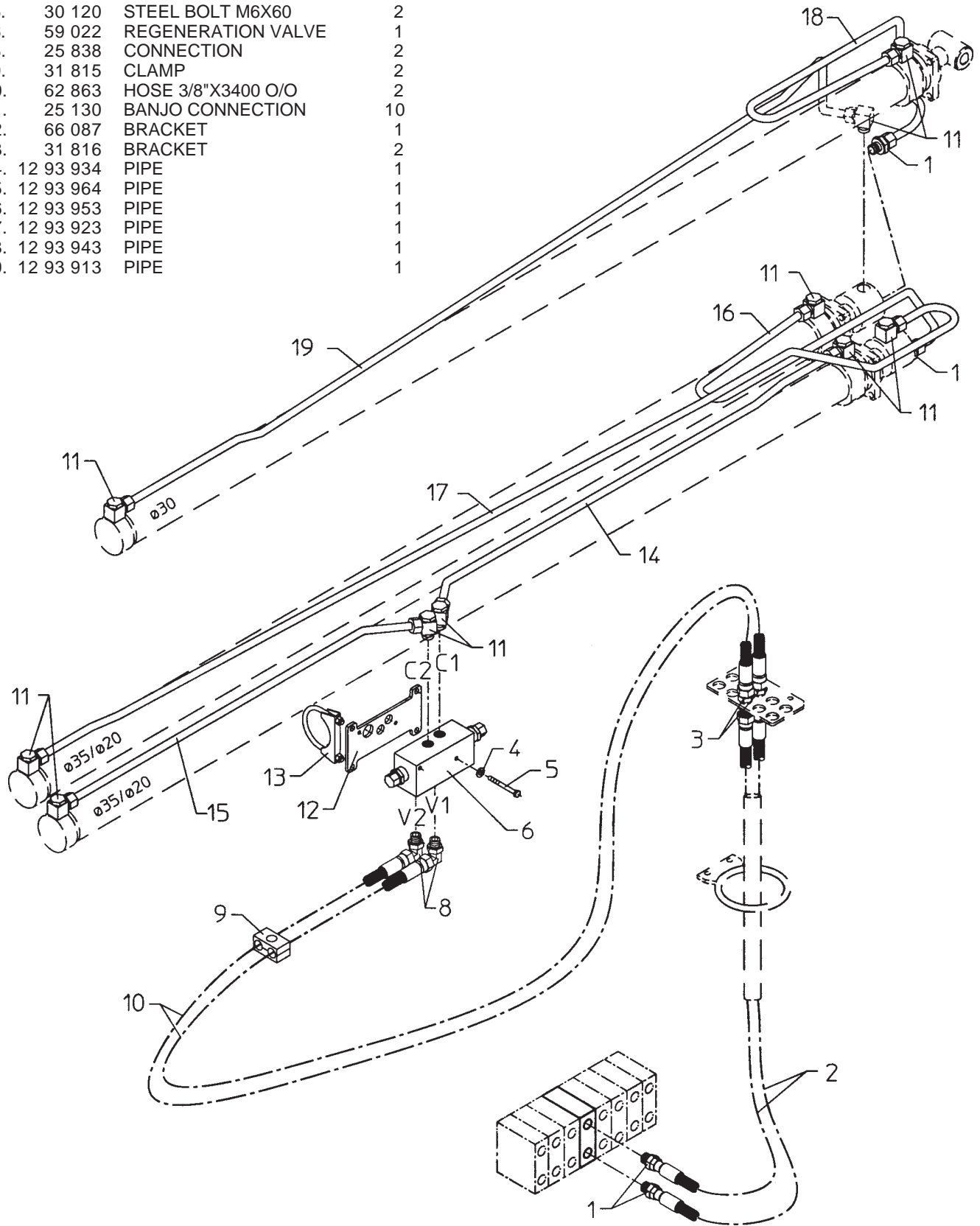
HYDRAULIC SYSTEM-EXT CYLINDER-2H-C50-1700

1.	25 127	CONNECTION	2
2.	00 17 290	HOSE 3/8"X2200 O/O	2
3.	25 824	CONNECTION	2
4.	31 154	SPRING WASHER 6MM	2
5.	30 120	STEEL BOLT M6X60	2
6.	59 022	REGENERATION VALVE	1
8.	25 838	CONNECTION	2
9.	31 815	CLAMP	2
10.	62 863	HOSE 3/8"X3400 O/O	2
11.	25 130	BANJO CONNECTION	7
12.	66 087	BRACKET	1
13.	31 816	BRACKET	2
14.	12 93 934	PIPE	1
15.	12 93 964	PIPE	1
16.	12 93 953	PIPE	1
17.	12 93 923	PIPE	1



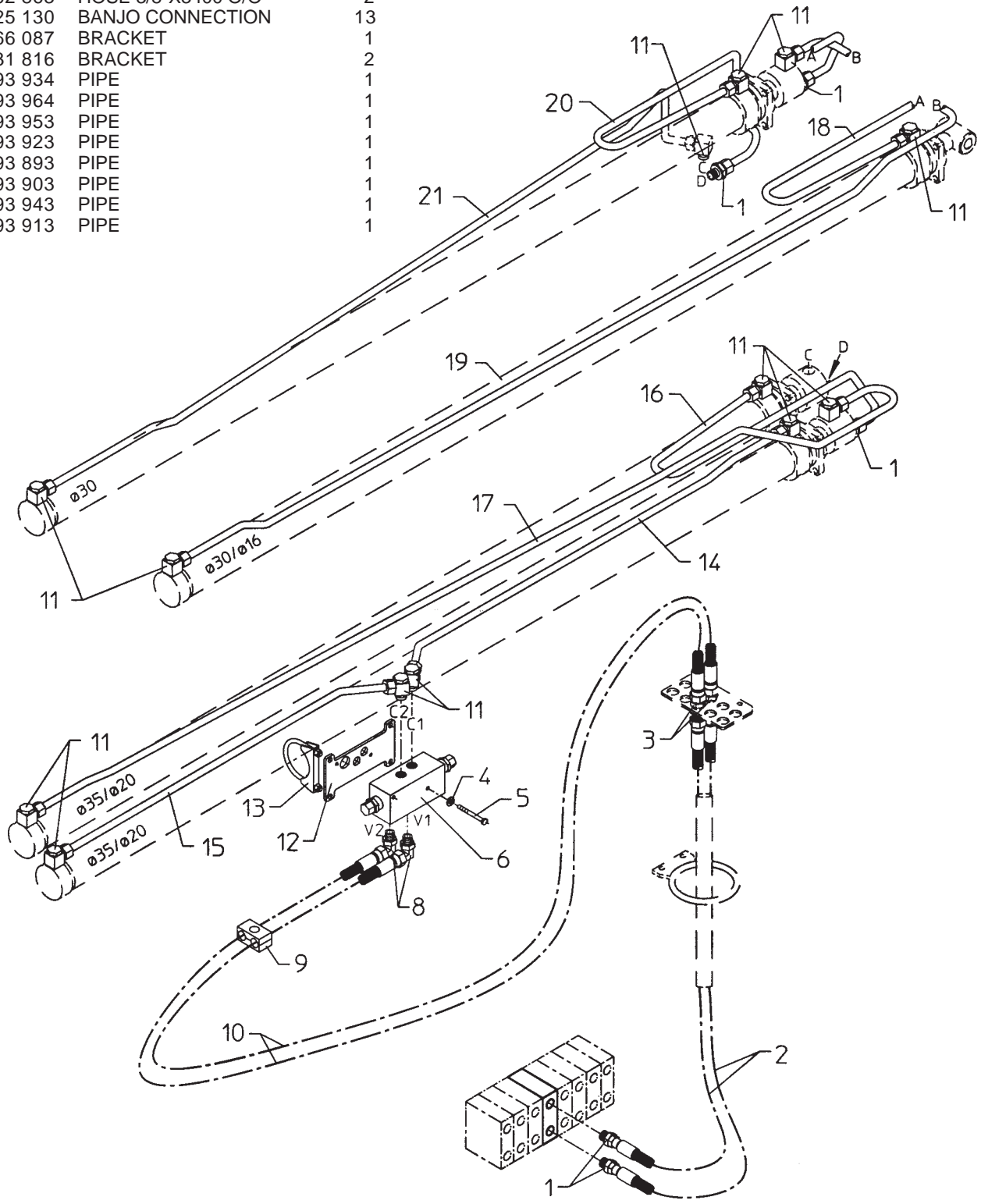
HYDRAULIC SYSTEM-EXT CYLINDER-3H-C50-1700

1.	25 127	CONNECTION	4
2.	62 860	HOSE 3/8"X2200 O/O	2
3.	25 824	CONNECTION	2
4.	31 154	SPRING WASHER 6MM	2
5.	30 120	STEEL BOLT M6X60	2
6.	59 022	REGENERATION VALVE	1
8.	25 838	CONNECTION	2
9.	31 815	CLAMP	2
10.	62 863	HOSE 3/8"X3400 O/O	2
11.	25 130	BANJO CONNECTION	10
12.	66 087	BRACKET	1
13.	31 816	BRACKET	2
14.	12 93 934	PIPE	1
15.	12 93 964	PIPE	1
16.	12 93 953	PIPE	1
17.	12 93 923	PIPE	1
18.	12 93 943	PIPE	1
19.	12 93 913	PIPE	1



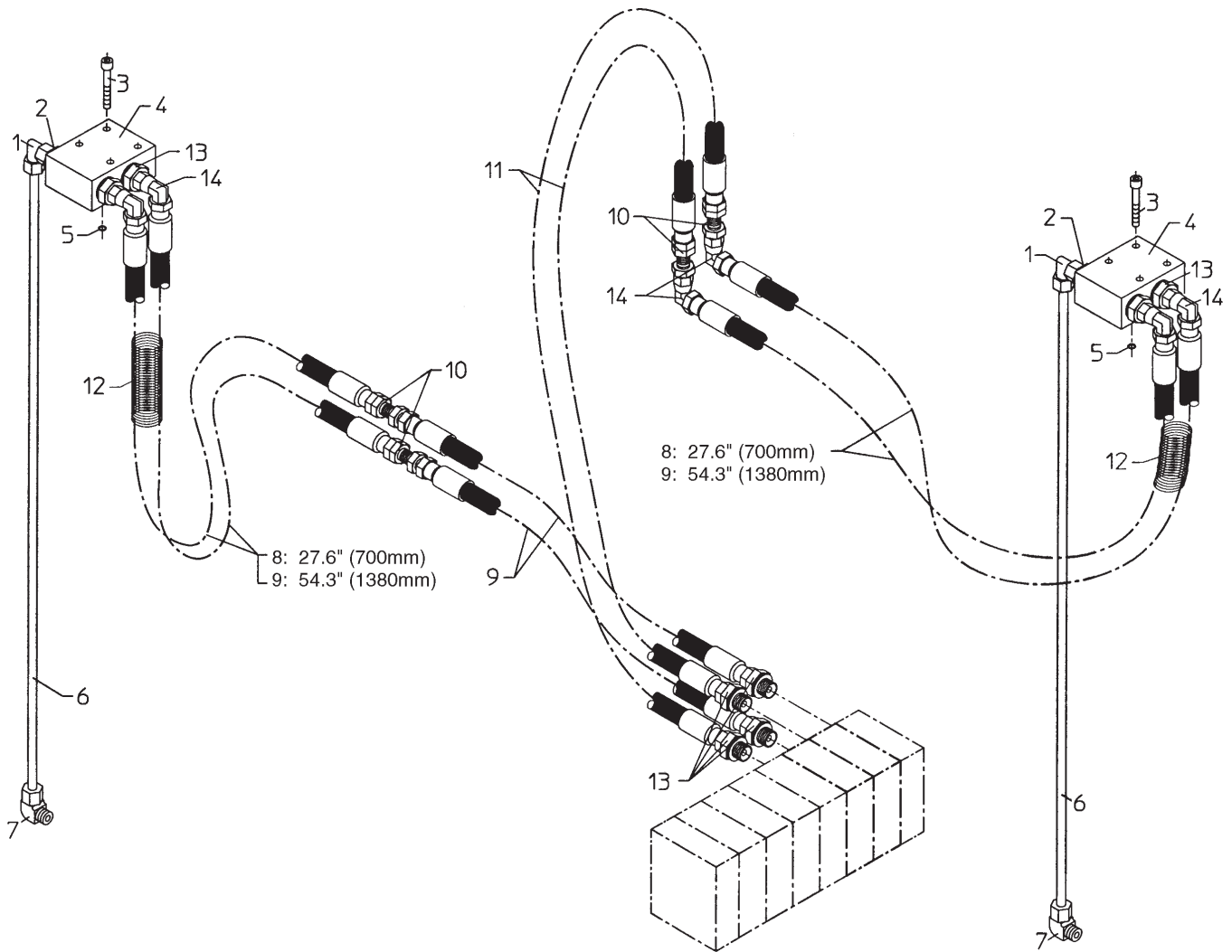
HYDRAULIC SYSTEM-EXT CYLINDER-4H-C50-1700

1.	25 127	CONNECTION	5
2.	62 860	HOSE 3/8"X2200 O/O	2
3.	25 824	CONNECTION	2
4.	31 154	SPRING WASHER 6MM	2
5.	30 120	STEEL BOLT M6X60	2
6.	59 022	REGENERATION VALVE	1
8.	25 838	CONNECTION	2
9.	31 815	CLAMP	2
10.	62 863	HOSE 3/8"X3400 O/O	2
11.	25 130	BANJO CONNECTION	13
12.	66 087	BRACKET	1
13.	31 816	BRACKET	2
14.	12 93 934	PIPE	1
15.	12 93 964	PIPE	1
16.	12 93 953	PIPE	1
17.	12 93 923	PIPE	1
18.	12 93 893	PIPE	1
19.	12 93 903	PIPE	1
20.	12 93 943	PIPE	1
21.	12 93 913	PIPE	1



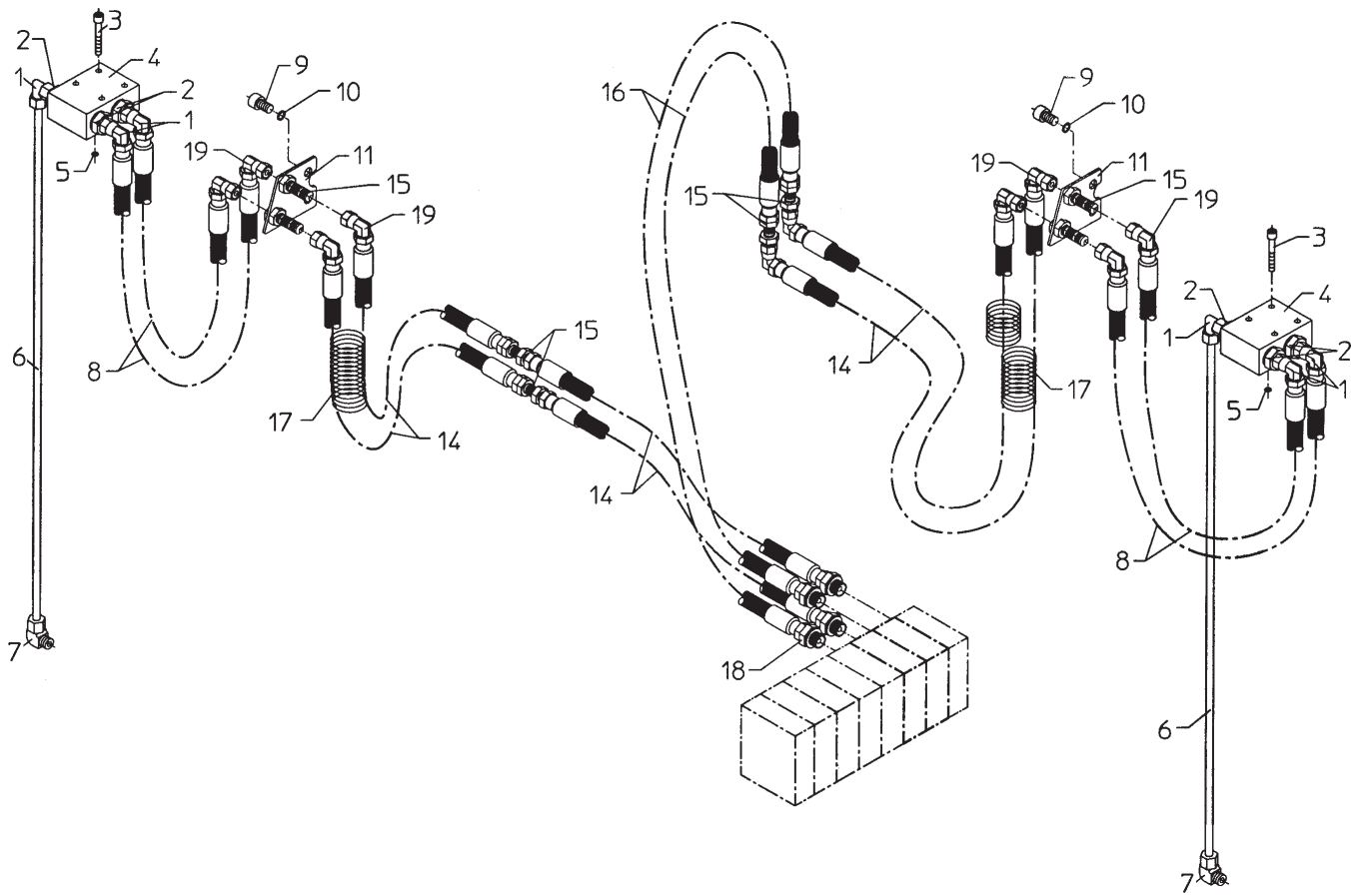
HYDRAULIC SYSTEM-STABILIZERS-TYPE SV/SR

1.	25 248	CONNECTION	2
2.	25 244	CONNECTION	2
3.	30 435	SCREW MC6X45	8
4.	59 924	PILOTED CHECK VALVE	2
5.	20 137	O-RING 9.19X2.62	
6.	12 73 234	PIPE 712MM	2
7.	25 117	CONNECTION	2
8.	62 853	HOSE 1/4"X1230 O/O	4
9.	62 855	HOSE 1/4"X1800 O/O	6
10.	25 823	CONNECTION	4
11.	62 851	HOSE 1/4"X500 L/L	2
12.	62 487	SPIRAL	2
13.	25 830	CONNECTION	8
14.	25 826	CONNECTION	6



HYDRAULIC SYSTEM-STABILIZERS-TYPE DV/DR

1.	25 248	CONNECTION	2
2.	25 244	CONNECTION	2
3.	30 435	SCREW MC6X45	8
4.	59 924	PILOTED CHECK VALVE	2
5.	20 137	O-RING 9.19X2.62	
6.	12 73 234	PIPE 712MM	2
7.	25 117	CONNECTION	2
8.	62 870	HOSE 1/4"X650 O/O	4
9.	30 964	SCREW MC10X16	4
10.	31 156	SPRING WASHER 10MM	4
11.	66 103	PLATE	1
14.	62 855	HOSE 1/4"X1800 O/O	6
15.	25 823	CONNECTION	8
16.	62 851	HOSE 1/4"X500 L/L	2
17.	62 487	SPIRAL	2
18.	25 830	CONNECTION	8
19.	25 826	CONNECTION	12



6/39: 99904679: 20111213

PARTS-50

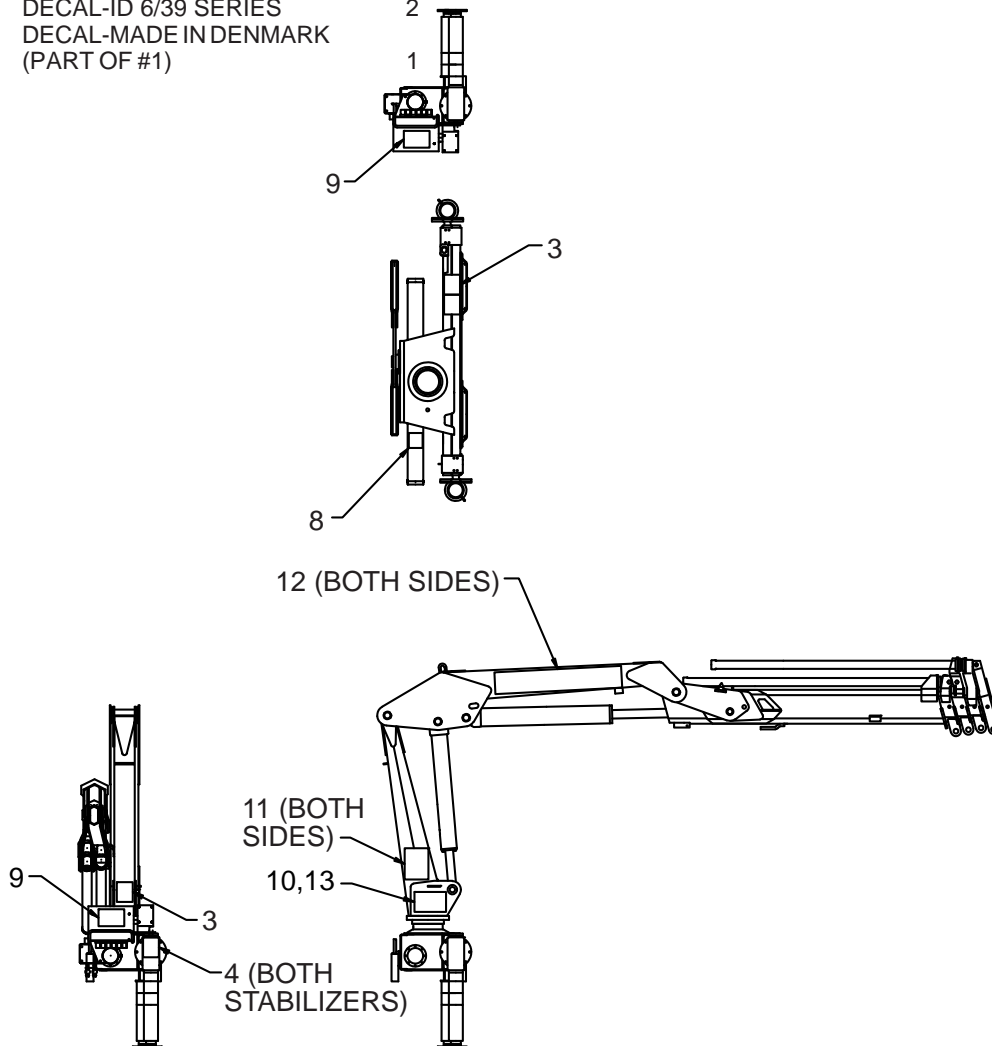
DECAL PLACEMENT, 6/39 CRANE (99904679)

1.	95720380	DECAL KIT-COMMON	1REF
	95721971	DECAL KIT COMMON (SPANISH)	1REF
2.	70397053	DECAL-GREASE, 4-9 TM	1
3.	70396919	DECAL-DANGER SMALL ARTICULATING (PART OF #1)	2
4.	70392864	DECAL-WARNING STABILIZER STAND CLEAR (PART OF #1)	2
5.	70392865	DECAL-DANGER ELEC HAZARD LG (PART OF #1)	4
6.	70392868	DECAL-WARNING CR LOADLINE (PART OF #1)	4
7.	70392891	DECAL-DANGER DRIVELINE (PART OF #1)	2
8.	70394189	DECAL-MOBIL OIL RESERVOIR (PART OF #1)	1
9.	70391583	DECAL-SET UP/STOW INSTR. (PART OF #1)	2
10.	70029119	PLACARD-SERIAL NO.	1
11.	70397756	DECAL-CP 6/39 1H	2REF
	70397689	DECAL-CP 6/39 2H	2REF
	70397690	DECAL-CP 6/39 3H	2REF
	70397691	DECAL-CP 6/39 4H	2REF
12.	70397687	DECAL-ID 6/39 SERIES	2
13.	70396021	DECAL-MADE IN DENMARK (PART OF #1)	

**ADDITIONAL DECALS (CONTROLS)
(BASED ON CONFIGURATION)**

65 762	CONTROL LABEL, 6 FUNCT. HORIZONTAL ORIENT. (SMALL-PD)
65 763	CONTROL LABEL, 6 FUNCT. HORIZONTAL ORIENT. (SMALL)
65 937	CONTROL LABEL, 6 FUNCT. HORIZONTAL ORIENT. (LARGE-PD)
65 938	CONTROL LABEL, 6 FUNCT. HORIZONTAL ORIENT. (LARGE)
65 185	CONTROL LABEL, STABILIZERS VERTICAL ORIENT.
65 521	CONTROL LABEL, 4 FUNCT. HORIZONTAL ORIENT. (SMALL)
65 850	CONTROL LABEL, 5 FUNCT. HORIZONTAL ORIENT. (LARGE)
65 540	CONTROL LABEL, WINCH

Note: Item #11 is dependent on crane configuration.

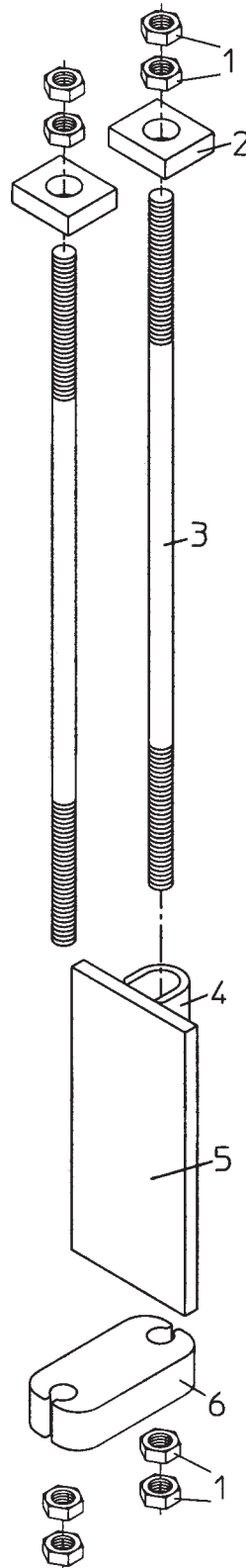


6/39: 451 06 100: 19990630

MOUNTING FITTINGS

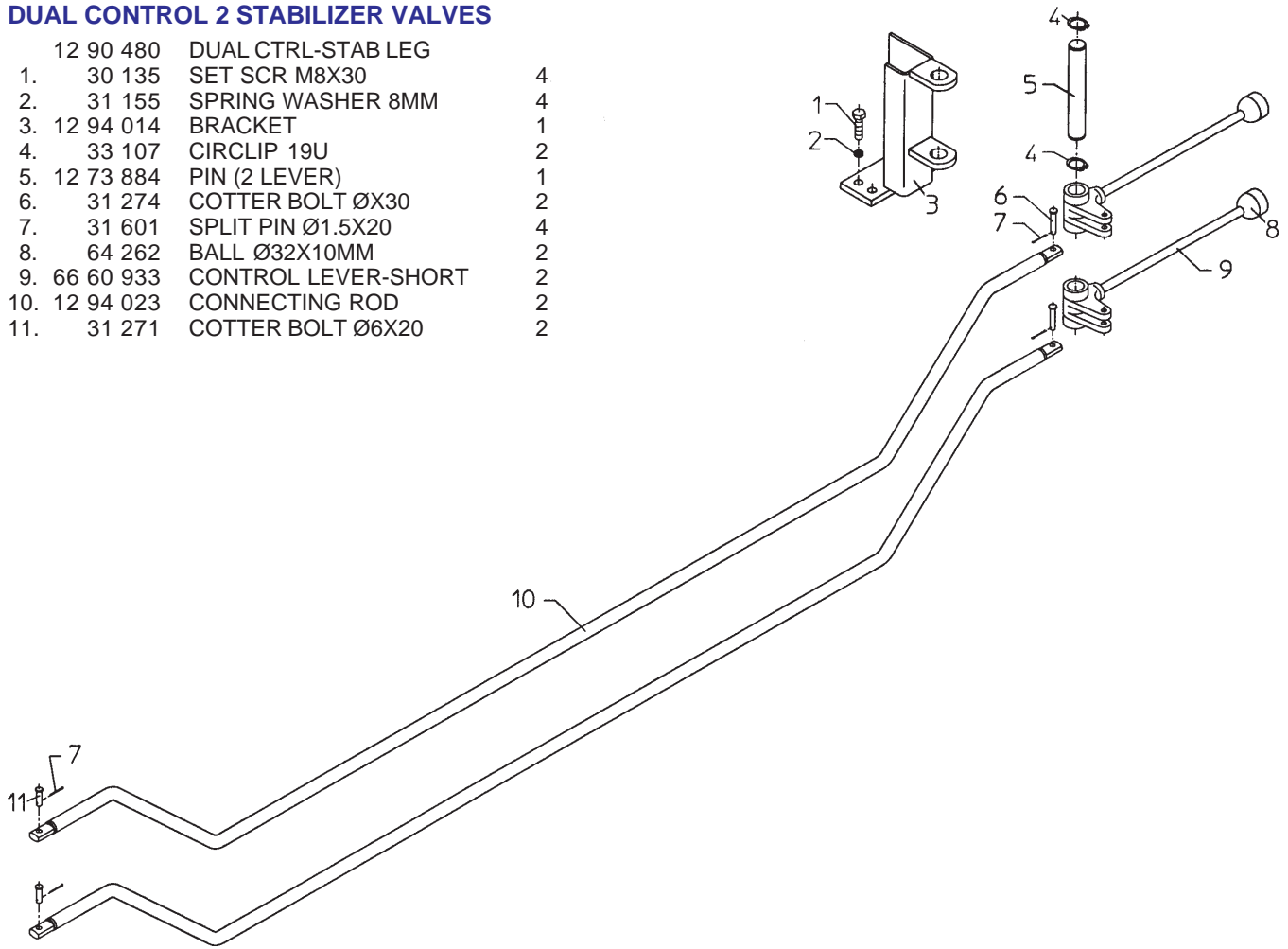
1.	30 833	NUT 7/8"UNF	32
2.	66 57 044	WASHER	8
3.	66 57 614	MOUNTING BOLT 850MM	8
4.	66 59 914	U-SECTION	4
5.	66 59 924	SPACER	4
6.	59 58 574	CLAMP	4

PARTS-51



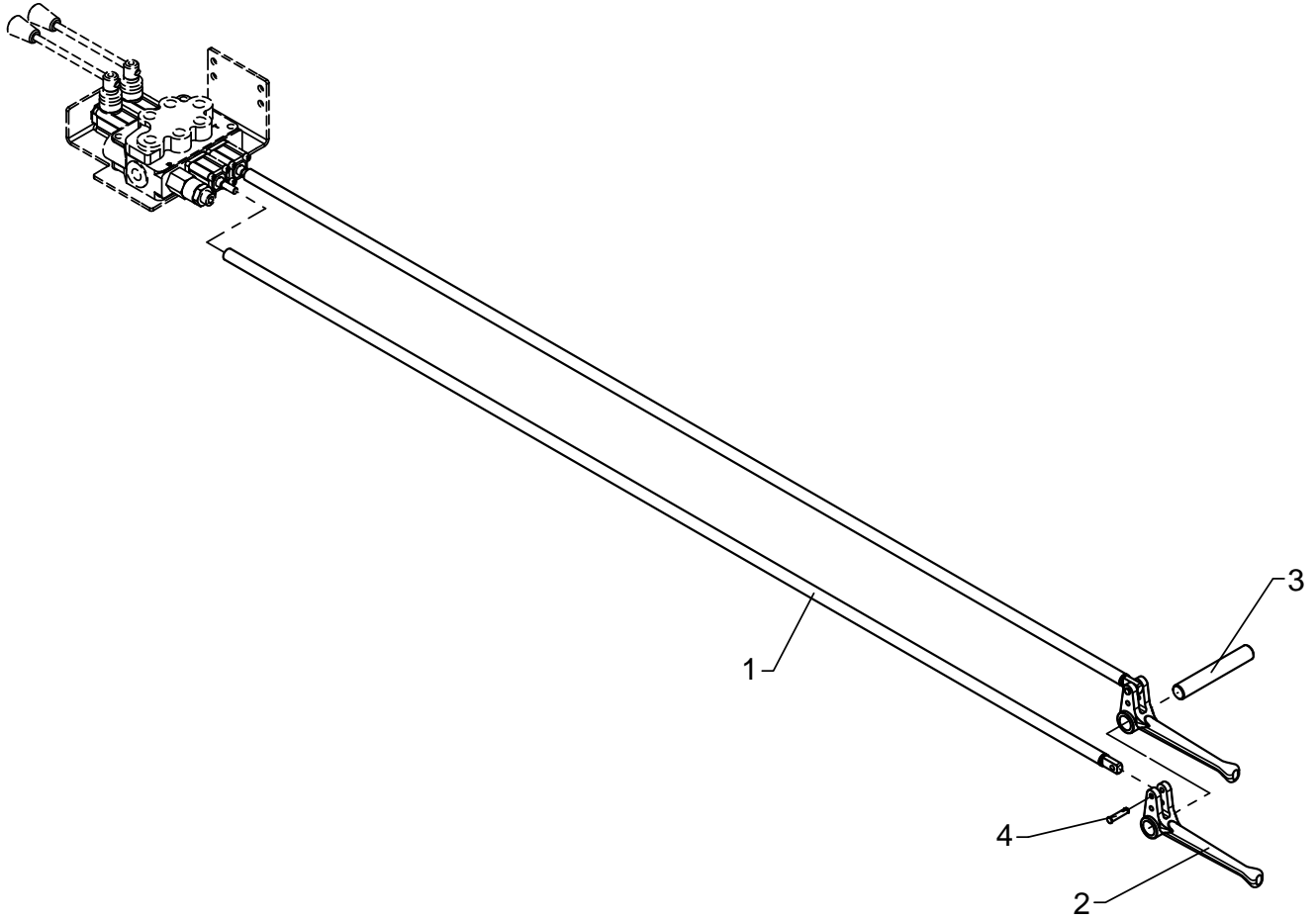
DUAL CONTROL 2 STABILIZER VALVES

12 90 480	DUAL CTRL-STAB LEG	4
1. 30 135	SET SCR M8X30	4
2. 31 155	SPRING WASHER 8MM	4
3. 12 94 014	BRACKET	1
4. 33 107	CIRCLIP 19U	2
5. 12 73 884	PIN (2 LEVER)	1
6. 31 274	COTTER BOLT ØX30	2
7. 31 601	SPLIT PIN Ø1.5X20	4
8. 64 262	BALL Ø32X10MM	2
9. 66 60 933	CONTROL LEVER-SHORT	2
10. 12 94 023	CONNECTING ROD	2
11. 31 271	COTTER BOLT Ø6X20	2



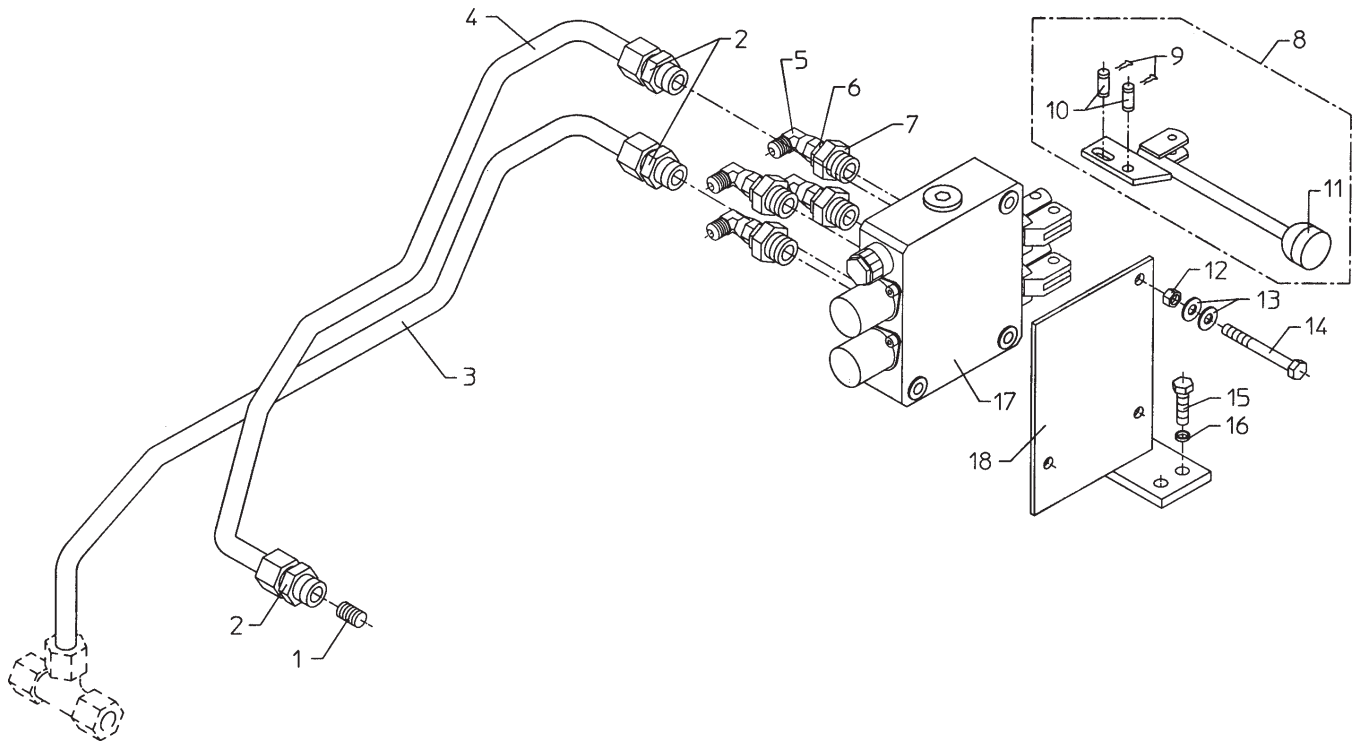
DUAL CONTROL FOR SERIAL CONNECTION, M50

- | | | | |
|----|---------|----------------------------|---|
| 1. | 1297593 | CONNECTING ROD | 2 |
| 2. | 63444 | LEVER FOR DUAL CONTROLS | 2 |
| 3. | 63453 | PIN | 1 |
| 4. | 63468 | SPLIT PIN WITH SPRING LOCK | 2 |



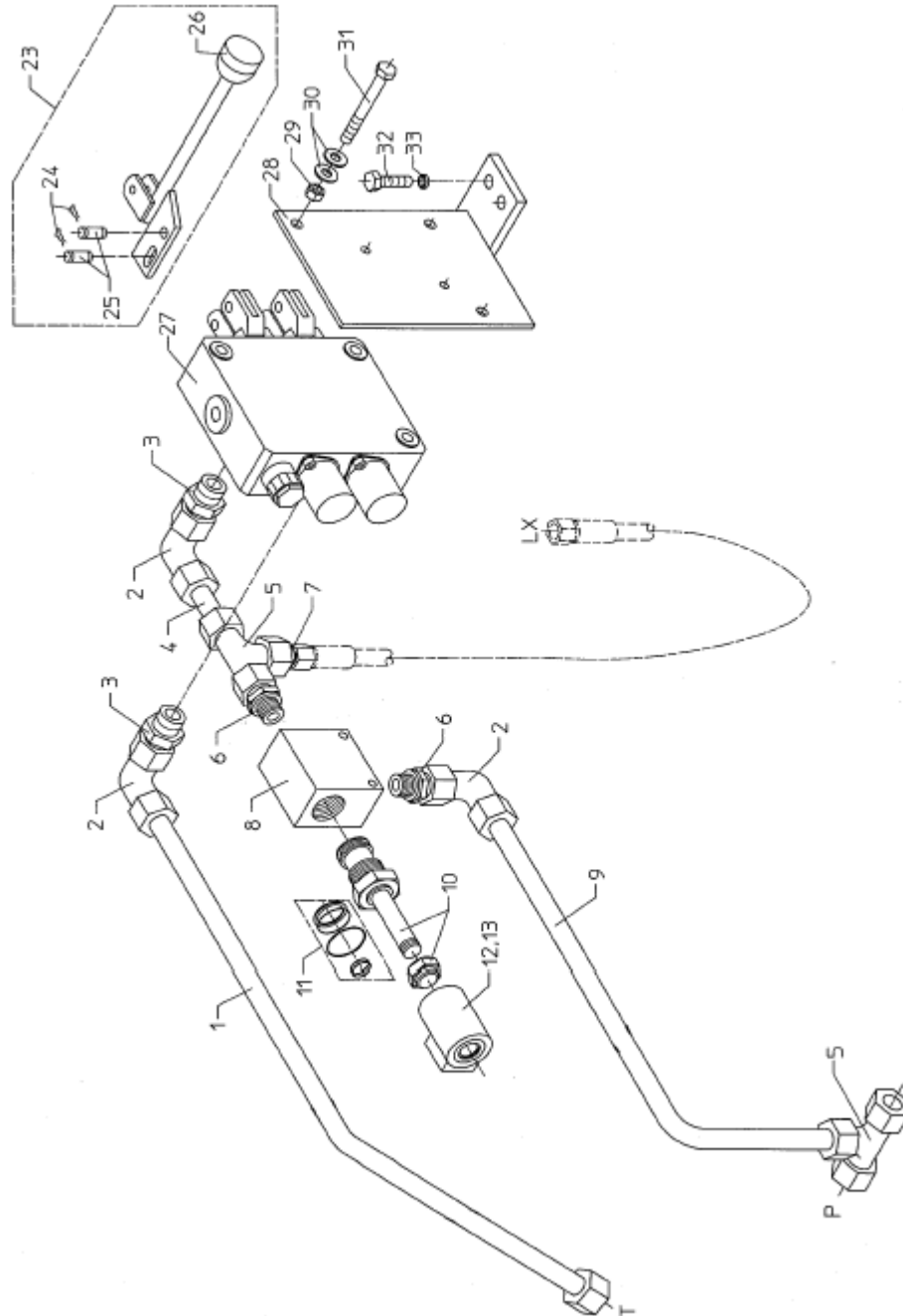
SERIES CONNECTION PARTS-RS150

1.	59 951	SOLENOID VALVE	1
2.	25 143	CONNECTION	3
3.	13 01 683	PIPE	1
4.	13 01 673	PIPE	1
5.	25 826	CONNECTION	4
6.	25 829	CONNECTION	4
7.	25 821	CONNECTION	4
8.	66 31 270	CONTROL LEVER-SHORT	2
9.	61 320	PIN LOCK	
10.	61 364	PIN	
11.	64 262	BALL Ø32X10MM	
12.	30 886	LOCK NUT M8	3
13.	31 136	WASHER 8MM	6
14.	30 142	STEEL BOLT M8X70	3
15.	30 135	SET SCR M8X30	4
16.	31 155	SPRING WASHER 8MM	4
17.	59 561	VALVE BLOCK02 SECTION	1
18.	12 93 274	BRACKET	1



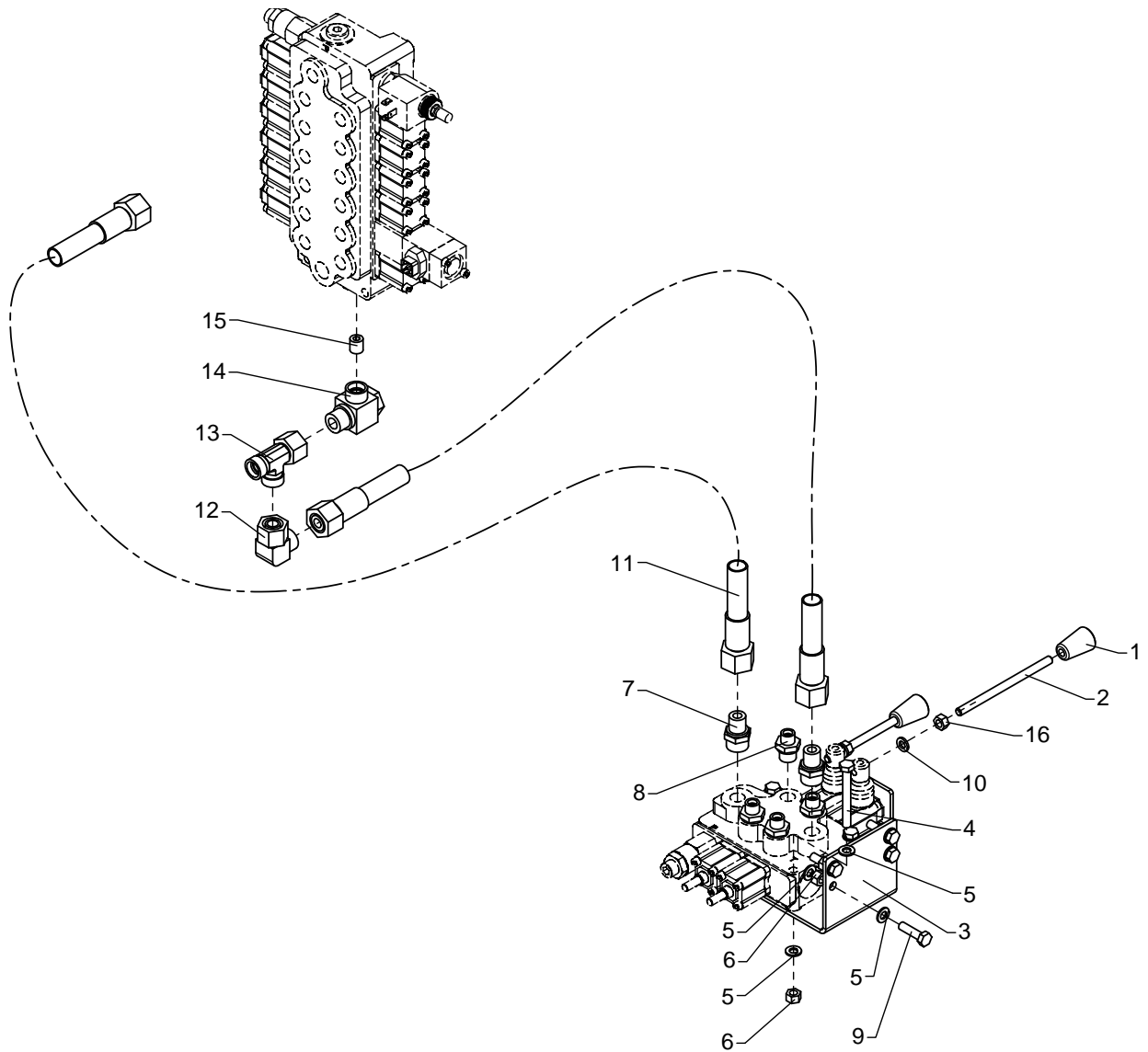
SERIES CONNECTION PARTS-RS150 (FROMS/N 630342)

1.	12 94 344	PIPE	1	13.	61 778	SOLENOID 26V	1
2.	25 142	CONNECTION	3	23.	66 31 270	CONTROL LEVER, SHORT	2
3.	25 143	CONNECTION	2	24.	61 320	LOCK FOR PIN	
4.	12 72 654	PIPE	1	25.	61 364	PIN	
5.	25 150	CONNECTION	1	26.	64 262	BALL Ø32 X 10MM	
6.	25 273	CONNECTION	2	27.	59 561	VALVE BLOCK	1
7.	25 160	REDUCING CONNECTION	1	28.	12 93 274	BRACKET	1
8.	59 771	VALVE HOUSING	1	29.	30 886	LOCK NUT M8	3
9.	12 94 314	PIPE	1	30.	31 147	WASHER 16X1.6	6
10.	59 025	MAGNETIC CARTRIDGE	1	31.	30 142	STEEL BOLT M8X70	3
11.	61 779	SEAL KIT	1	32.	30 135	SET SCREW M8X30	4
12.	59 762	SOLENOID	1	33.	31 155	SPRING WASHER 8MM	4



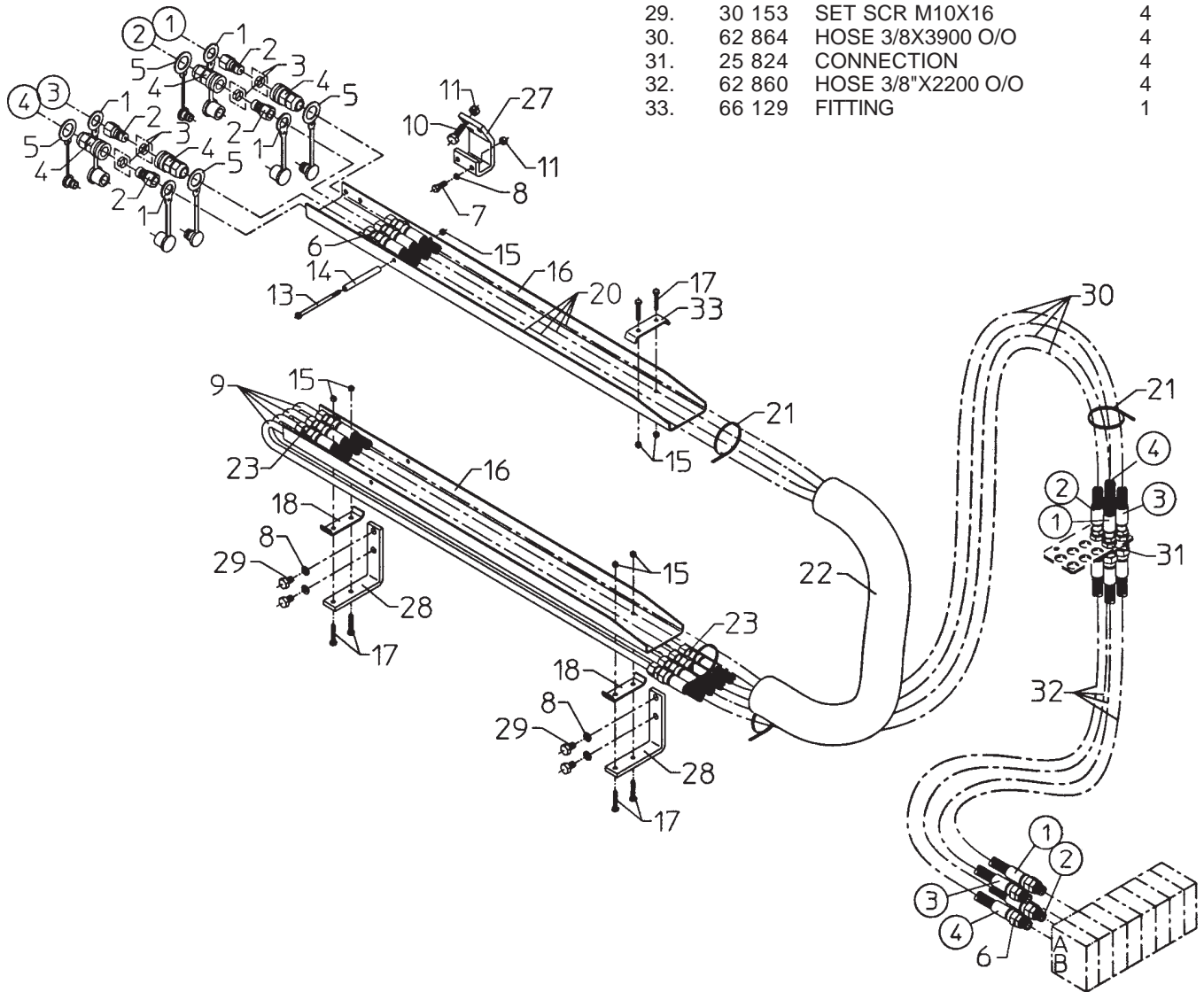
SERIES CONNECTION PARTS-M50

1.	59224	KNOB FOR LEVER	2
2.	1320252	CTRL LEVER, SHORT, STRAIGHT	2
3.	1297543	VALVE BRACKET	1
4.	30142	STEEL BOLT, SS M8 X 70	3
5.	31147	WASHER, SS 8 MM	14
6.	30886	LOCK NUT, SS M8	7
7.	25273	CONNECTION	2
8.	25244	CONNECTION	4
9.	30135	SET SCREW, SS M8 X 30	4
10.	31155	SPRING WASHER 8 MM	2
11.	16080	HOSE	2
12.	25284	ELBOW CONNECTION	1
13.	26142	CONNECTION	1
14.	25158	BANJO CONNECTION	1
15.	30417	PIPE PLUG	1
16.	30856	NUT, SS	2



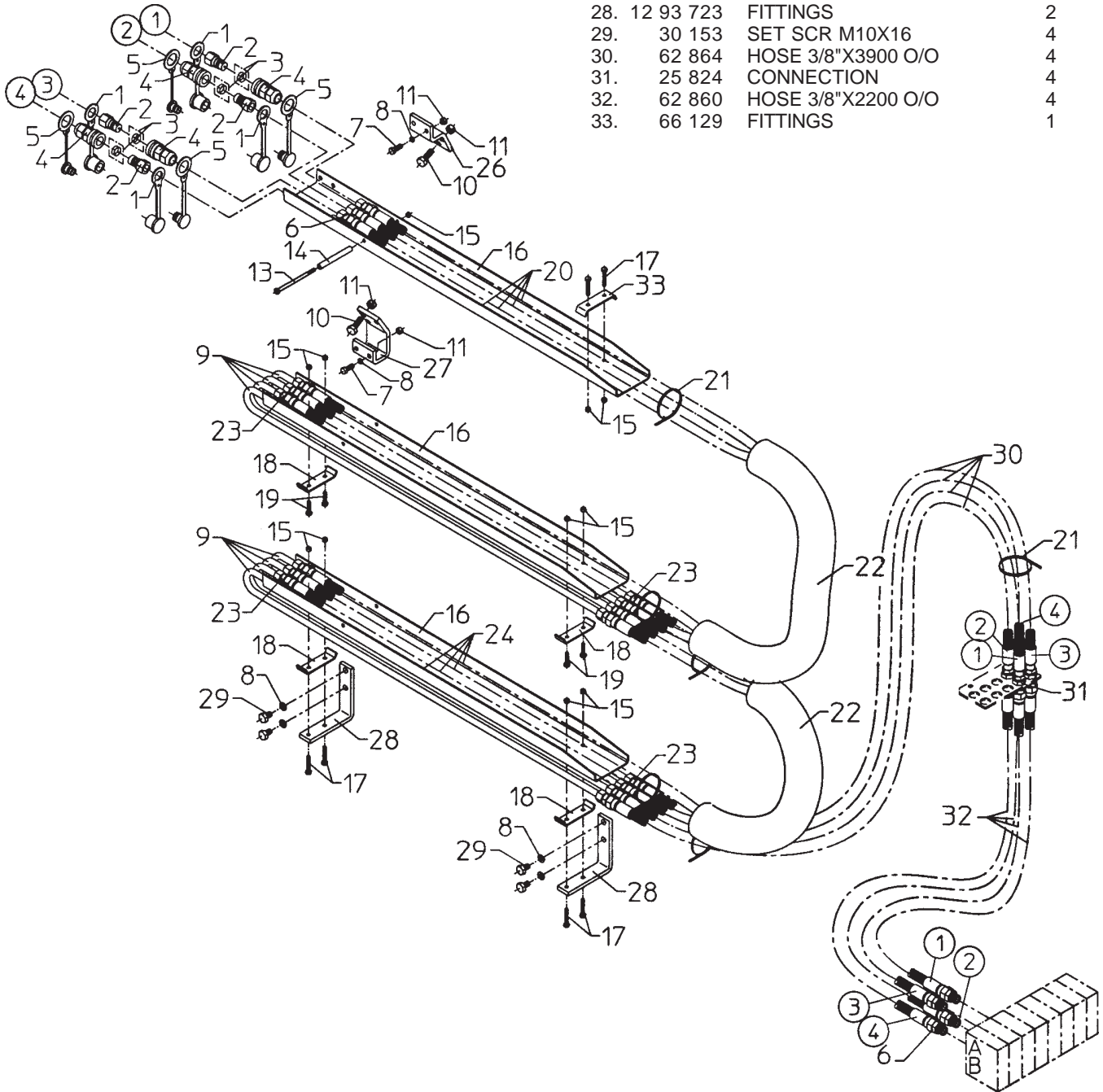
EXTRA VALVES-1H

12 90 090	MOUNTING KIT	1	10.	30 156	SET SCR M10X30	3	
12 90 130	MOUNTING KIT	1	11.	30 888	LOCK NUT M10	5	
12 95 060	MOUNTING KIT	1	13.	32 107	STEEL BOLT M6X120	1	
12 95 100	MOUNTING KIT	1	14.	12 93 834	PIPE	1	
1.	60 622	DUST CAP 3/8"M	4	15.	30 884	LOCK NUT M6	7
2.	60 619	QUICK COUPLING 3/8"F	4	16.	66 106	HOSE GUIDE	2
3.	60 635	SEAL KIT 3/8"		17.	30 116	STEEL BOLT M6X35	6
4.	60 620	QUICK COUPLING 3/8"M	4	18.	66 105	FITTINGS	2
5.	60 621	DUST CAP 3/8"M	4	20.	62 871	HOSE 3/8"X2000 O/O	4
6.	25 831	CONNECTION	8	21.	27 274	CLIP	4
7.	30 155	SET SCR M10X25	2	22.	62 592	PROTECTIVE COVER	1
8.	31 118	WASHER 10MM	6	23.	25 843	CONNECTION	8
9.	12 95 264	PIPE	4	27.	12 93 713	FITTINGS	1
				28.	12 93 723	FITTINGS	2
				29.	30 153	SET SCR M10X16	4
				30.	62 864	HOSE 3/8X3900 O/O	4
				31.	25 824	CONNECTION	4
				32.	62 860	HOSE 3/8"X2200 O/O	4
				33.	66 129	FITTING	1



EXTRA VALVES-2H

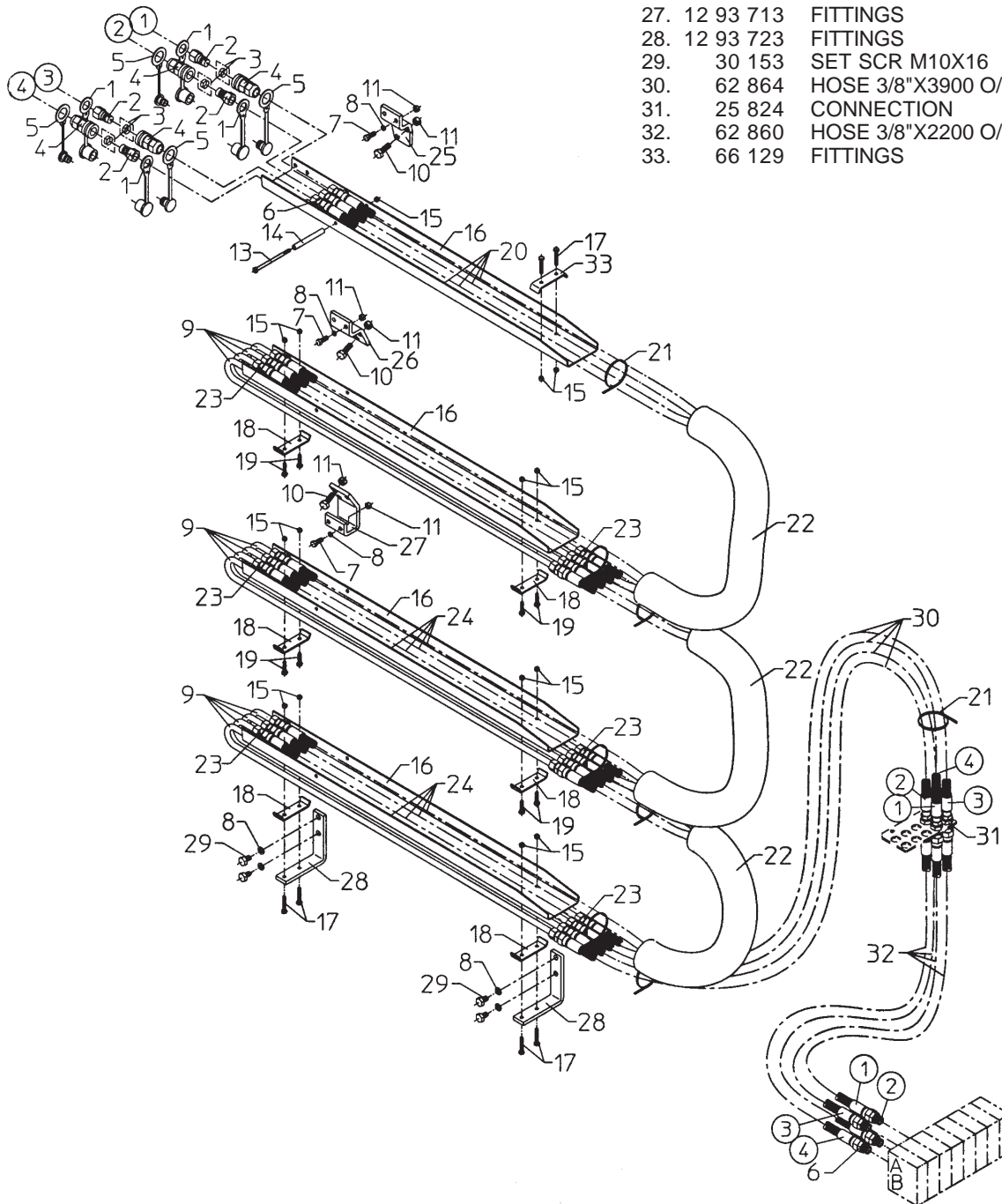
12 90 100	MOUNTING KIT	1	11.	30 888	LOCK NUT M10	10
12 90 140	MOUNTING KIT	1	13.	32 107	STEEL BOLT M6X120	1
12 95 070	MOUNTING KIT	1	14.	12 93 834	PIPE	1
12 95 110	MOUNTING KIT	1	15.	30 884	LOCK NUT M6	11
1. 60 622	DUST CAP 3/8"M	4	16.	66 106	HOSE GUIDE	3
2. 60 619	QUICK COUPLING 3/8"F	4	17.	30 116	STEEL BOLT M6X35	6
3. 60 635	SEAL KIT 3/8"		18.	66 105	FITTINGS	4
4. 60 620	QUICK COUPLING 3/8"M	4	19.	30 115	STEEL BOLT M6X30	4
5. 60 621	DUST CAP 3/8"M	4	20.	62 871	HOSE 3/8"X2000 O/O	4
6. 25 831	CONNECTION	8	21.	27 274	CLIP	6
7. 30 155	SET SCR M10X25	4	22.	62 592	PROTECTIVE COVER	2
8. 31 118	WASHER 10MM	8	23.	25 843	CONNECTION	16
9. 12 95 264	PIPE	8	24.	62 857	HOSE 3/8"X1150 O/O	4
10. 30 156	SET SCR M10X30	6	26.	12 93 823	FITTINGS	1
			27.	12 93 713	FITTINGS	1
			28.	12 93 723	FITTINGS	2
			29.	30 153	SET SCR M10X16	4
			30.	62 864	HOSE 3/8"X3900 O/O	4
			31.	25 824	CONNECTION	4
			32.	62 860	HOSE 3/8"X2200 O/O	4
			33.	66 129	FITTINGS	1



EXTRA VALVES-3H

12 90 110	MOUNTING KIT	1
12 90 150	MOUNTING KIT	1
12 95 080	MOUNTING KIT	1
12 95 120	MOUNTING KIT	1
1. 60 622	DUST CAP 3/8"M	4
2. 60 619	QUICK COUPLING 3/8"F	4
3. 60 635	SEAL KIT 3/8"	
4. 60 620	QUICK COUPLING 3/8"M	4
5. 60 621	DUST CAP 3/8"M	4
6. 25 831	CONNECTION	8
7. 30 155	SET SCR M10X25	6
8. 31 118	WASHER 10MM	10
9. 12 95 264	PIPE	12
10. 30 156	SET SCR M10X30	9

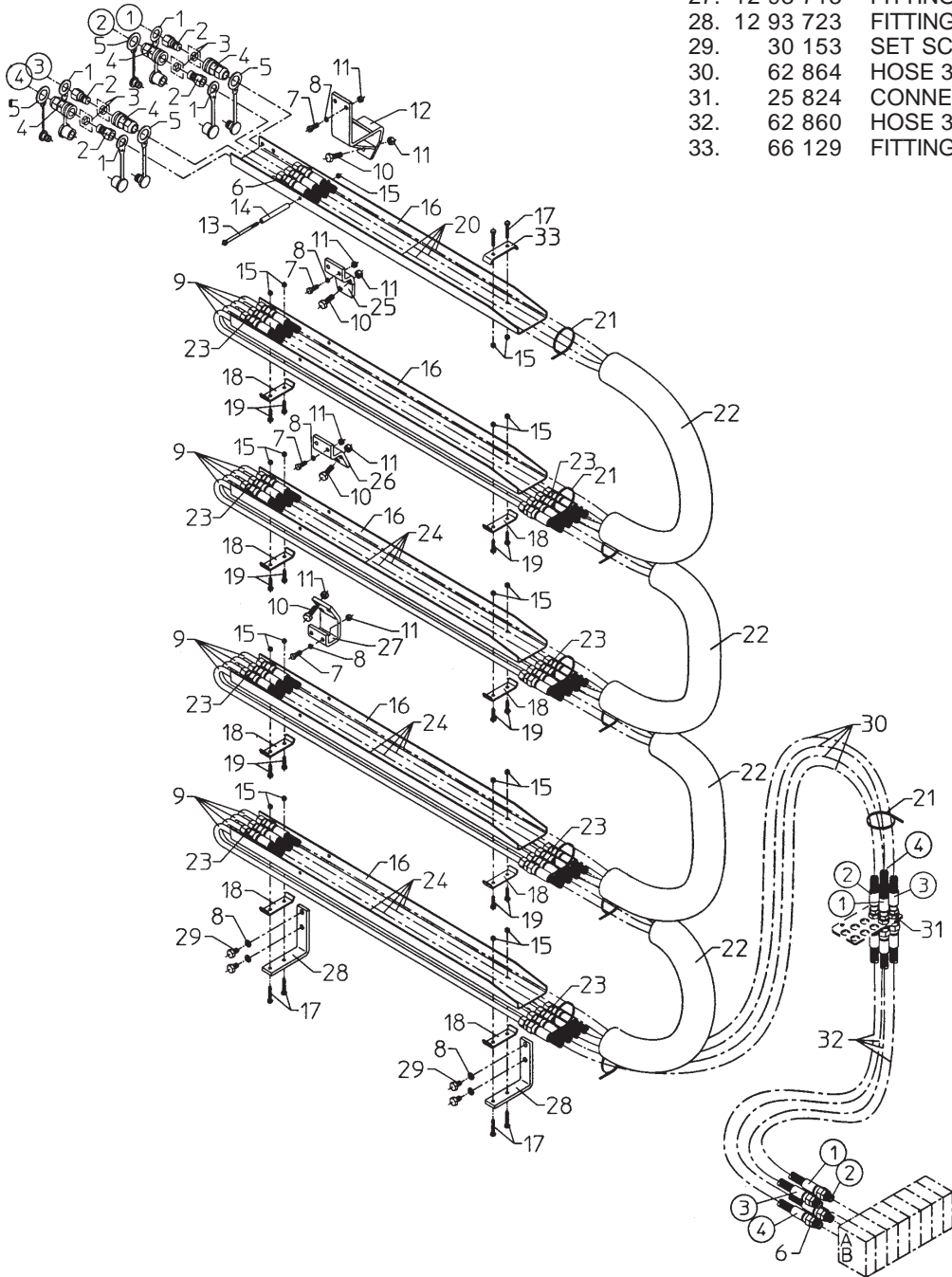
11. 30 888	LOCK NUT M10	15
13. 32 107	STEEL BOLT M6X120	1
14. 12 93 834	PIPE	1
15. 30 884	LOCK NUT M6	15
16. 66 106	HOSE GUIDE	4
17. 30 116	STEEL BOLT M6X35	6
18. 66 105	FITTINGS	6
19. 30 115	STEEL BOLT M6X30	8
20. 62 871	HOSE 3/8"X2000 O/O	4
21. 27 274	CLIP	8
22. 62 592	PROTECTIVE COVER	3
23. 25 843	CONNECTION	24
24. 62 857	HOSE 3/8"X1150 O/O	8
25. 12 93 773	FITTINGS	1
26. 12 93 823	FITTINGS	1
27. 12 93 713	FITTINGS	1
28. 12 93 723	FITTINGS	2
29. 30 153	SET SCR M10X16	4
30. 62 864	HOSE 3/8"X3900 O/O	4
31. 25 824	CONNECTION	4
32. 62 860	HOSE 3/8"X2200 O/O	4
33. 66 129	FITTINGS	1



EXTRA VALVES-4H

12 90 120	MOUNTING KIT	1
12 90 160	MOUNTING KIT	1
12 95 090	MOUNTING KIT	1
12 95 130	MOUNTING KIT	1
1. 60 622	DUST CAP 3/8"M	4
2. 60 619	QUICK COUPLING 3/8"F	4
3. 60 635	SEAL KIT 3/8"	
4. 60 620	QUICK COUPLING 3/8"M	4
5. 60 621	DUST CAP 3/8"M	4
6. 25 831	CONNECTION	8
7. 30 155	SET SCR M10X25	8
8. 31 118	WASHER 10MM	12
9. 12 95 264	PIPE	16
10. 30 156	SET SCR M10X30	12
11. 30 888	LOCK NUT M10	20

12. 12 93 814	FITTINGS	1
13. 32 107	STEEL BOLT M6X120	1
14. 12 93 834	PIPE	1
15. 30 884	LOCK NUT M6	19
16. 66 106	HOSE GUIDE	5
17. 30 116	STEEL BOLT M6X35	6
18. 66 105	FITTINGS	8
19. 30 115	STEEL BOLT M6X30	12
20. 62 871	HOSE 3/8"X2000 O/O	4
21. 27 274	CLIP	10
22. 62 592	PROTECTIVE COVER	4
23. 25 843	CONNECTION	32
24. 62 857	HOSE 3/8"X1150 O/O	12
25. 12 93 773	FITTINGS	1
26. 12 93 823	FITTINGS	1
27. 12 93 713	FITTINGS	1
28. 12 93 723	FITTINGS	2
29. 30 153	SET SCR M10X16	4
30. 62 864	HOSE 3/8"X3900 O/O	4
31. 25 824	CONNECTION	4
32. 62 860	HOSE 3/8"X2200 O/O	4
33. 66 129	FITTINGS	1



IMT

MATERIAL HANDLING SYSTEMS

IOWA MOLD TOOLING CO., INC.

BOX 189, GARNER, IA 50438-0189

641-923-3711

TECHNICAL SUPPORT FAX: 641-923-2424

MANUAL PART NUMBER: 99904678