

# maxilift

ALFA ROMEO

## TECHNICAL SHEET



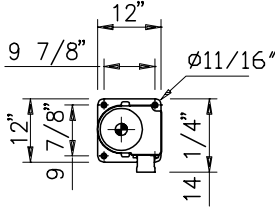
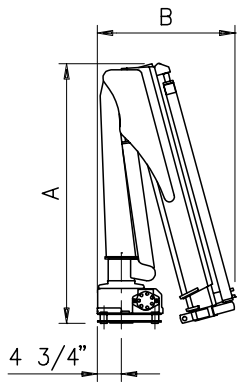
# 130



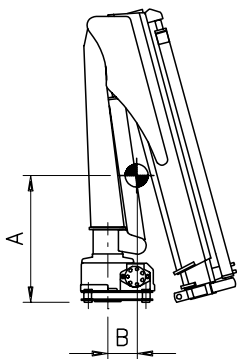
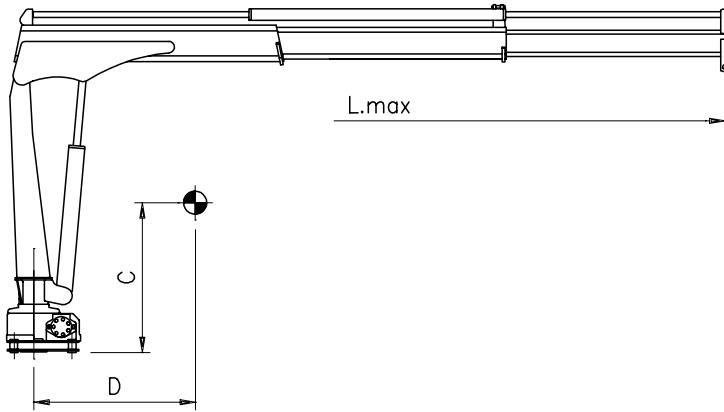
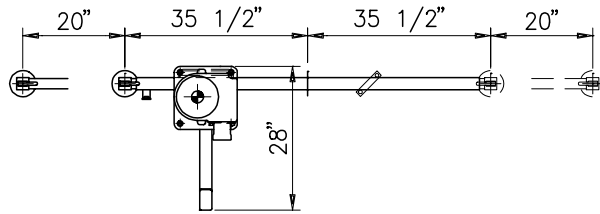
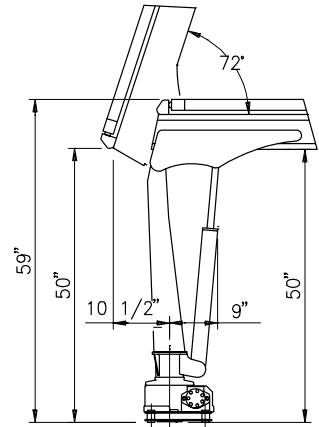
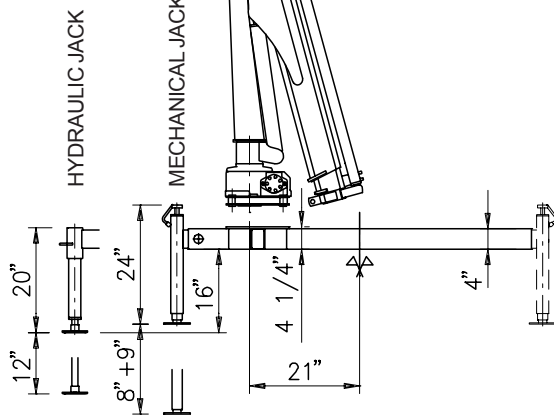
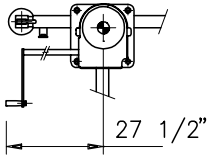
## Next Hydraulics



DIMENSIONS		
CRANE	A	B
130.1	49"	27"
130.2	49"	27"



VERS. 'E' - 'ES'



CRANE	A	B	C	D	L max
130.1	18"	5 1/2"	27"	14"	118"
130.2	18 1/2"	6 1/2"	28"	16"	118"

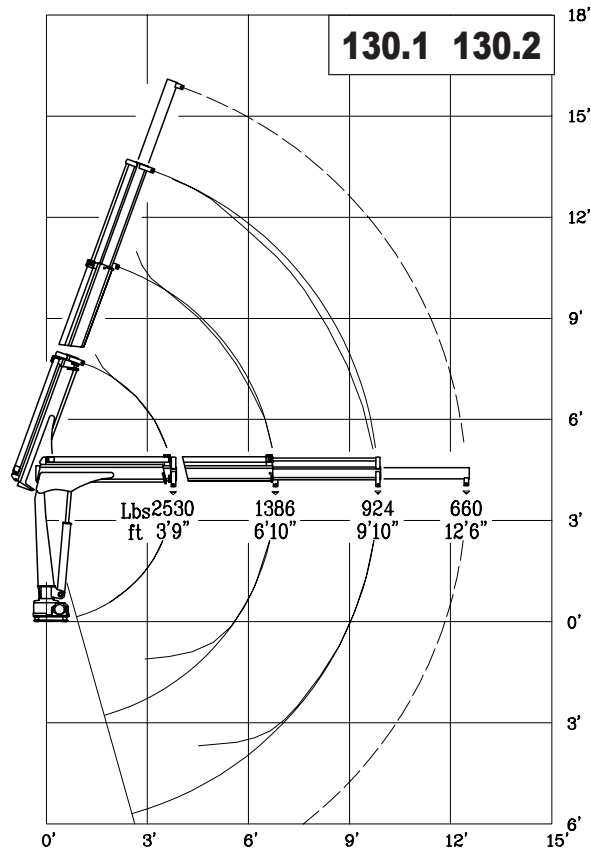
TECHNICAL DATA		VERSION				
TYPE	130	130 E	130.1 ES	130.2 ES	130.1 ERS-H	130.2 ERS-H
CRANE RATING	ft. lbs.	9,600				
STANDARD EXTENSIONS Nr (HYDRAULICS - MANUALS)	n°	2M	1H+1M	2H	1H+1M	2H
STANDARD OUTREACH	ft.	9' 10"				
SLEWING ANGLE	°	330°				
MAXIMUM ANGLE SLOPE	°	5°				
SLEWING TORQUE	ft. lbs.	1,100				
MAX. LIFTING HEIGHT FROM CRANE BASE	ft.	13' 2"				
SUGGESTED OIL FLOW	gpm.	1.6 – 2.1				
MAX. WORKING PRESSURE	psi	2,750				
BASIC CRANE WEIGHT	lbs.	260	290	320	300	330
BASE WEIGHT WITH EXTENDABLE STABILIZERS	lbs.	100 – 105				
BEAM WEIGHT WITH 2 EXTENDABLE STABILIZERS	lbs.	55 - 60				
MOTOR ABSORPTION FOR ELECTROHYDR. CRANE 12V	A min/max	30/115	70/160	70/160	70/160	70/160
MOTOR ABSORPTION FOR ELECTROHYDR. CRANE 24V	A min/max	15/50	35/75	35/75	35/75	35/75

VERSION	DESCRIPTION
"E"	ELECTROHYDRAULIC (ONLY LIFTING)
"ES"	ELECTROHYDRAULIC (LIFTING AND EXTENSION)
"ERS"	ELECTROHYDRAULIC
"H"	HYDRAULIC (PTO)

OPERATING TIMES								
VERSION	SLEWING (rpm)	LIFTING (sec)		LOWERING (sec)	EXTENSION OUT (sec)		EXTENSION IN (sec)	
		Pmin	Pmax		130.1	130.2	130.1	130.2
<b>130 "E" 12/24V</b>	-	30	35	18	-		-	
<b>130 "ES" 12/24V</b>	-	12	25	14	12	25	9	16
<b>130 "ERS" 12/24V</b>	1.8	12	23	14	12	25	9	16
<b>130 "H" (P.T.O)</b>	2.0	14		14	12	25	9	16

Pmax: max. working pressure  
Pmin: min. working pressure

Lifting class **H2-B3**  
DIN 15018



# maxilift

by

## Next Hydraulics



Via Mediterraneo n°6, 42022 Boretto (R.E.) Italy  
Tel.: 0522-963008, Fax: 0522-963039  
<http://www.maxiliftcrane.com> E-mail:  
[nexthydraulics@tin.it](mailto:nexthydraulics@tin.it)