

ETC 37 IH

ARTICULATED / TELESCOPIC
INSULATED



INSULATED VERSATILITY

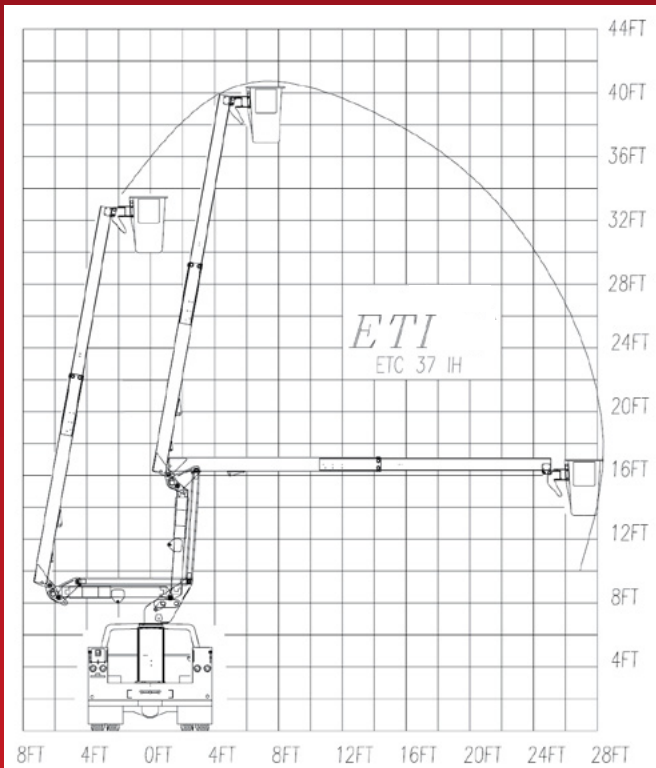
This ETC model is one of the most popular products offered by ETI and with good reason. The ETC 37 IH is an insulated unit that offers an articulating and telescoping aerial with a working height of 42 feet. Its many standard options include boom tip covers, single handle controls, continuous rotation, full pressure hydraulic controls, emergency lowering valve and more. It can be fully customized to a customer's individual need by adding a host of options including increased bucket capacity, tool circuit, outriggers and others. This model is built to satisfy customer demand for power, reach, and innovative design.



DEPEND ON IT.™



ETC37 IH



**EQUIPMENT TECHNOLOGY LLC
IS A FULL SERVICE SOLUTION
PROVIDER OF THE HIGHEST
QUALITY DESIGN,
MANUFACTURING, AND POST
SALE SERVICE.**

EQUIPMENT TECHNOLOGY LLC

341 NW 122nd
Oklahoma City, OK 73114
Toll-Free: 1-888-748-3841 • Fax: 1-405-755-6829
etiequipment.com

GENERAL SPECIFICATIONS*

Height to bottom of bucket	37 ft. - 1 in.
Working height	42 ft. - 1 in.
Side reach, End mount	28 ft. - 0 in.
Rotation	Continuous
Lower boom articulation	0° to 93°
Upper boom travel	-17° to 75°
Rated bucket capacity	350 lbs.

MINIMUM VEHICLE SPECIFICATIONS

- GVWR 16,000 lbs.
- C.A. 60 in.

STANDARD FEATURES

- Boom tip covers.
- Single handle control.
- Continuous rotation is standard on all ETC units providing unrestricted rotation.
- Lower boom compensating link.
- Full pressure hydraulic controls located at basket and turret with full feathering capabilities from both upper and lower controls.
- Hydraulic leveling via master/slave system providing a bucket dump for clean out and operator rescue.
- Shear ball rotation gear driven by external drive gear box. Gear box has an extended shaft for manual rotation.
- Internally mounted holding valve (integral part of cylinder) locks cylinder in place in event of hydraulic failure.
- All pins turn on replaceable bushings.
- Inner boom extends with double acting hydraulic cylinder for safety and performance.
- Emergency lowering valve.

Hydraulic System

- Operating pressure (min) 2,250 psi.
- Operating volume 5 gpm

OPTIONS

- Emergency hydraulic power (12VDC)
- Engine start/stop at bucket
- Hydraulic tool circuit
- Two speed throttle
- Bucket liner
- Bucket cover
- Lower boom and compensating link inserts
- Oversized bucket (24"x 30"x 42")
- Hydraulic bucket rotator
- Outriggers
- APU - Axillary power unit to operate aerial unit & heat/cool cab
- Various DC power options including cab comfort

Specifications are subject to change without notice
Note (*): All specifications are based on 40" frame height