

CK800

HYDRAULIC CRAWLER CRANE

KOBELCO

A TOUCH OF THE FUTURE

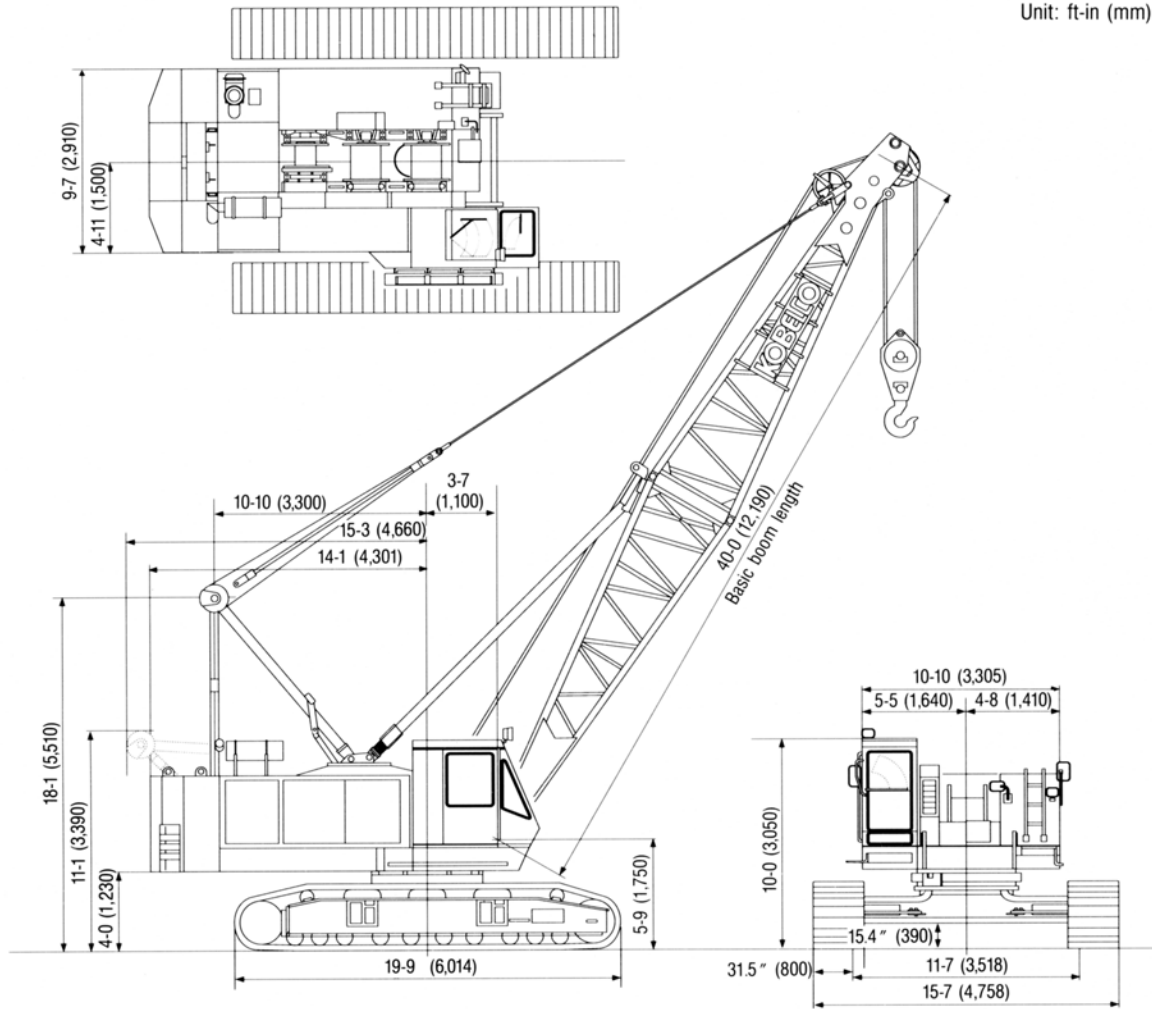
Specifications

Max. lifting capacity: 80 US tons at 11.5 ft
Max. total length (boom+jib): 210 ft
Max. boom length: 180 ft

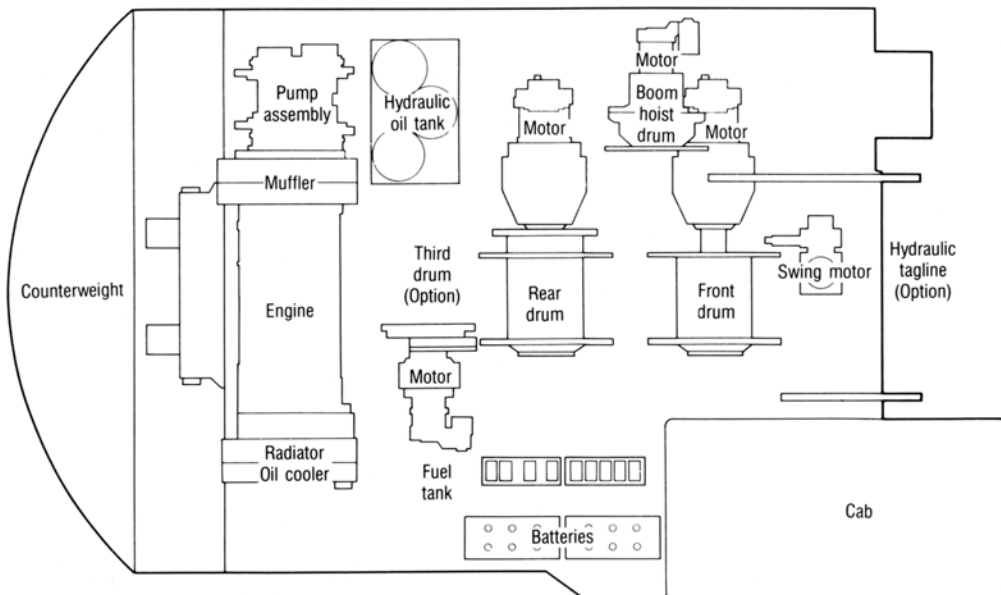
 **KOBE STEEL, LTD.**

General Dimensions

Unit: ft-in (mm)



Upper Machinery Layout

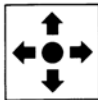


UPPER MACHINERY



Power Plant

Model..... Mitsubishi 6D22C diesel
 Type..... Water cooled, direct fuel injection
 No. of cylinders 6
 Bore and stroke 5.1" (130 mm) × 5.5" (140 mm)
 Displacement 677 cu in (11,100 cc)
 Rated power ... 174 hp (130 kW) SAE NET at 2,000 rpm
 (SAE J 1349)
 Max. torque 675 N-m (68.8kgf-m) at 1,200 rpm
 (SAE J 1349)
 Starter 24V, 5.5 kW
 Generator..... 24V, 800 W
 Cycles 4
 Radiator Corrugated fin type core,
 thermostat controlled
 Air cleaner Two stage, dry
 Batteries Two 12 V, 200 A-hr capacity
 batteries, series connected
 Fuel tank capacity 74 US gal (280 liters)



Hydraulic System

Pumps: Two variable displacement pumps and one fixed displacement pump are used. One variable displacement pump is used in the left propel circuit, boom hoist circuit and hook hoist circuit. The other is used in the right propel circuit and hook hoist circuit, and can accommodate an optional third hoist circuit. The fixed displacement pump is in the swing circuit. In addition, there are two gear pumps: one in the control system and one in the brake system.

Control: Horsepower summation hydraulic control system provides infinitely variable pressure to front and rear drums, boom, hoist brakes and clutches. Response to the operator's touch is instant, positive and smooth.

Pressure:

Load hoist, boom hoist
 and propel system 3,980 psi (280 kg/cm²)
 Swing system 3,560 psi (250 kg/cm²)
 Control system..... 640 psi (45 kg/cm²)
 Hoist drum brake system..... 1,710 psi (120 kg/cm²)
 Reservoir capacity 66 US gal (250 liters)

Cooling: Oil-to-air heat exchanger, mounted in front of radiator.

Filtration: Suction strainer, in-line strainer, return filter, and drain filters



Boom Hoisting System

Powered by a hydraulic axial piston motor through a planetary reducer.

Brake: Spring-set, hydraulically released multiple-disc brake, mounted on the boom hoist motor and operated through a control valve.

Drum lock: Spring-set hydraulically released drum pawl, automatically actuated when boom is stopped.

Drum: One-piece cast drum, grooved for 5/8" (16 mm) dia. wire rope.

Line speed (Single line on first drum layer):

Hoisting (max.) 164 ft/min (50 m/min)
 Lowering (max.)..... 164 ft/min (50 m/min)



Load Hoist System

Tandem drums powered independently by two hydraulic axial piston motors through planetary reducers.

Clutches: Internally expanding band clutches (splined on shaft).

28" (711 mm) dia. × 4" (102 mm) wide drum.

Brakes: Brake valves and externally contracting, spring-set, hydraulically released band brakes with both positive and negative actuation.

35.4" (900 mm) dia. × 4.7" (120 mm) wide drum.

Drum locks: Manual safety pawls (external ratchets).

Drums (front and rear): 18.2" (462 mm) P.C.D. × 20.5" (520 mm) wide drums, each grooved for 7/8" (22 mm) wire rope.

Max. wire rope storage capacity: 911 ft (278 m)

Line speed (Single line on the first drum layer):

Crane mode 295/148 ft/min (90/45 m/min)
 Bucket mode..... 197/98 ft/min (60/30 m/min)



Swing System

Swing unit: Independently powered by a hydraulic plunger motor through a planetary reducer; 360° of rotation.

Max. swing speed 3.0 rpm

Swing circle: Single-row ball bearing with internal swing gear. Bolted to both upper structure and under carriage.

Swing lock: Two-position pin-in-hole lock (manual)

Brake: Spring-set, hydraulically released multiple-disc brake, mounted on the swing motor.



Operator's Cab

Totally enclosed, full-vision cab fitted with safety glass and a sliding front window. A fully adjustable, high-backed seat permits all operators to set ideal working position. Signal horn, cigarette lighter, ashtray, windshield wipers, washer, floor mat and cab heater are standard features.



Controls

Hydraulic pilot control system. Response to the operator's touch is instant, positive, and smooth.

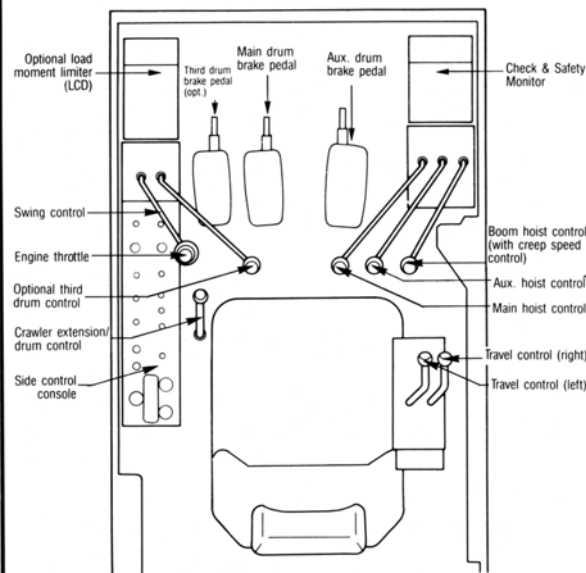
Check and Safety Monitor

Gauges: Hourmeter, water temperature, fuel level, hydraulic oil temperature, and tachometer

Warning lamps: Battery charge and fuel level (no alarm sound), hoist brake hydraulic pressure, control pressure, water temperature, engine oil filter, air filter, and engine oil pressure (with alarm sound)

Safety enhancing mechanism: Function locking lever, free-fall warning lights, free-fall inter lock brakes, locking pawl and ratchet for hook hoist drums, travel locking lever, and mechanical swing lock pin

Safety devices: Anti-two blocks, boom over hoist shut off, drum rotation indicator, swing flasher lamps and buzzer, and rear worklights



Operation mode selection switch

Provide crane mode and bucket mode

An Ultra Slow-Speed Changeover Switch

Provides accurate and smooth hoisting and travel at low speed for bolt matching, pile placement, and other delicate operations.



Gantry

Two-position telescopic gantry, raised and lowered by boom hoist rope.

Counterweight

Two-piece, mounted behind the machinery compartment.

Total weight 40,785 lb (18,500 kg)

Counter-weight	Dimension ft-in (mm)			Weight
No. 1	9-7 (2,910) ×	1-11 (585) ×	4-11 (1,490)	22,045 lb (10,000 kg)
No. 2	9-7 (2,910) ×	1-8 (500) ×	4-11 (1,490)	18,740 lb (8,500 kg)

NOTE: No.2 counterweight is self-removable.



Tools

Tool set and accessories for routine machine maintenance.



Weight

Operating weight: Approx. 131,400 lb (59,600 kg) including 40 ft (12.19 m) boom, and standard counterweights

Ground pressure 10.1 psi (0.71 kg/cm²)

LOWER MACHINERY

Carbody: Steel-welded carbody made of high strength with axles mated to crawler frames.

Crawler: Side frames can be hydraulically extended for wide-track operation or retracted for transportation. Extension cylinders operated with a valve in the upper control system. Crawler belt tension adjusted with hydraulic jack and maintained by shims between idler block and frame.

Crawler drive: Independent hydraulic propel drive built into each side frame, each with a piston motor propelling a driving wheel through a planetary gear box.

Crawler brakes: Brake valves and spring-set, hydraulically released multiple-disc parking brakes.

Steering mechanism: Differential speed steering (driving one track faster than the other), counter-rotating steering (driving tracks in opposite directions) and skid steering (driving one track only) with lever control.

Track rollers: 10 lower rollers, two upper rollers and guide rails on top of crawler frame in each side frame.

Shoes:

Number..... 63 each side

Standard flat shoe width 31.5" (800 mm)

Optional flat shoe width..... 36" (914 mm)

Max. travel speed. approx. 0.8/0.6 mph (1.2/0.9 km/h)

Max. gradeability..... 40%



Jib (optional)

Welded lattice construction using tubular, high tensile chords with pin connections between sections.

Max. lifting capacity	14,300 lb (6,500 kg)
Max. jib length	60 ft (18.29 m)
Max. total length (Boom length+jib length)	150 ft (45.72 m) + 60 ft (18.29 m)

Jib	Weight lb (kg)
Jib Tip	330 (150)
Jib Base	330 (150)
Insert (10 ft)	180 (80)
Insert (20 ft)	310 (140)



Hook Blocks (Recommended)

Arrange of hook blocks can be specified, each with a safety latch.

Safety working limit (us tons)	6.25	20.0	30.0	80.0
Weight (lb)	240	580	650	1,100

Wire rope specifications

Standard:

Load hoist

6 x 29 FW IWRC (7 x 7)⁷/₈" (22 mm) dia.

Boom hoist (12-part line)

6 x 31 WS IWRC (7 x 7)⁵/₈" (16 mm) dia.

Boom pendants³/₁₆" (30 mm) dia.

Optional:

Jib hook hoist³/₄" (22 mm) dia.

Jib back stay pendants¹¹/₁₆" (20 mm) dia.

Boom backstops recommended for all boom lengths.

Line pull

(for Crane, dragline and clamshell)

	Max. permissible	Max. available
Front	22,700 lb (10,300 kg)	33,950 lb (15,400 kg)
Rear	22,700 lb (10,300 kg)	33,950 lb (15,400 kg)

NOTES: Max. available line pulls are not based on wire rope strength. See note page 6 for rated single part of line working loads.

Note: Please consult your local dealer for details concerning which features are standard and which are optional.

ATTACHMENT



Boom

Welded lattice construction using tubular, high tensile steel chords with pin connections between sections. Boom tip is open throat construction. Two idler sheaves and four point sheaves are provided as standard.

Max. lifting capacity	80 US tons
Basic boom length	40 ft (12.19 m)
Max. boom length	180 ft (54.86 m)

Boom	Weight lb (kg)
Boom Tip	2,690 (1,220)
Boom Base	2,510 (1,140)
Insert (10 ft)	860 (390)
Insert (20 ft)	1,370 (620)
Insert (30 ft)	1,870 (850)

NOTES!

Warnings!

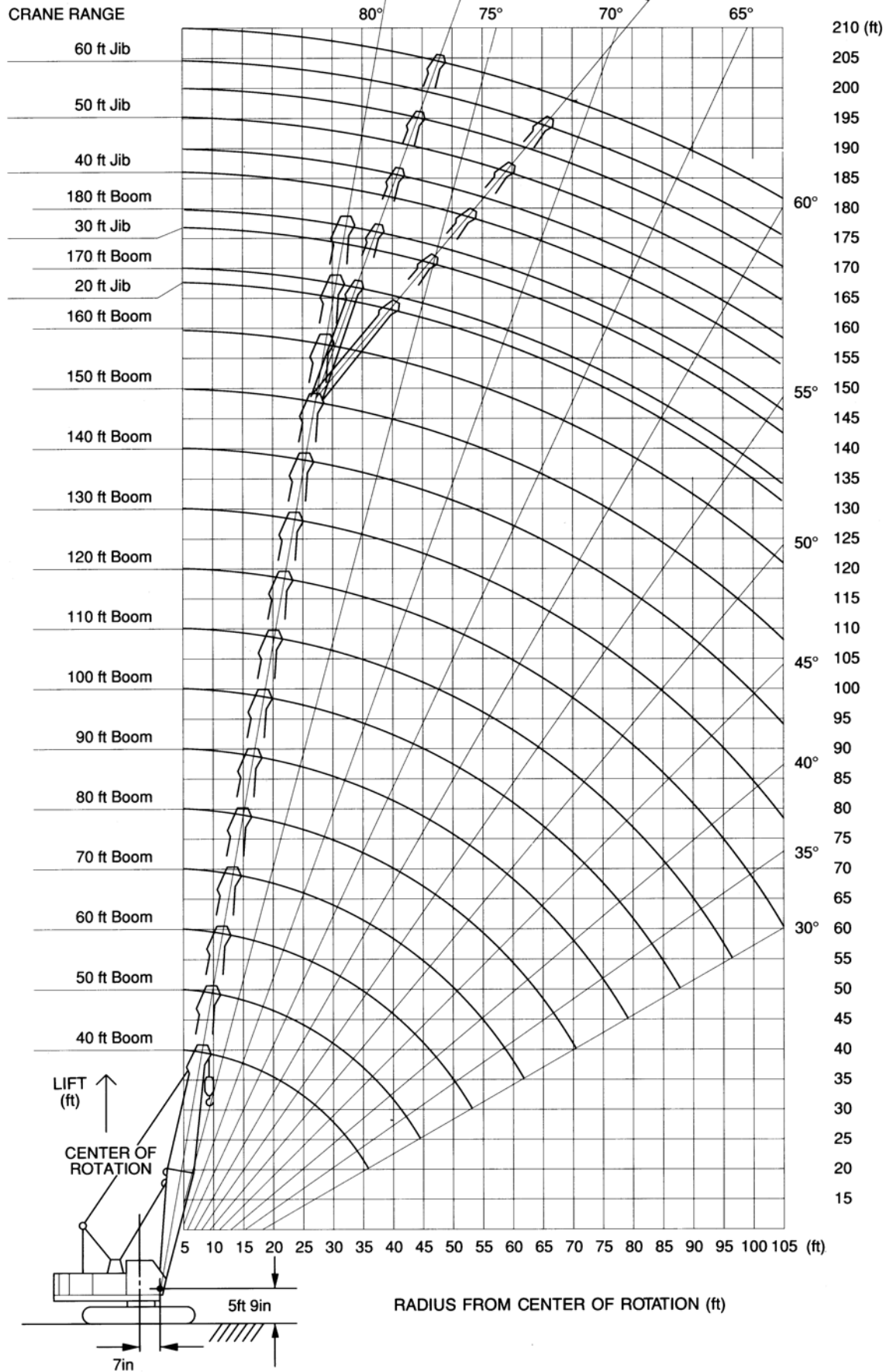
The following points should be kept in mind when interpreting the load rating charts.

1. Rated loads included in the charts are the maximum allowable freely suspended loads at a given boom length, boom angle and load radius, and have been determined for the machine standing level on firm supporting surface under ideal operating conditions. The user must limit or de-rate rated loads to allow for adverse conditions (such as soft or uneven ground, out-of-level conditions, wind, side loads, pendulum action, jerking or sudden stopping of loads, inexperience of personnel, multiple machine lifts, and traveling with a load).
2. Capacities do not exceed 75% of minimum tipping loads. Capacities based on factors other than machine stability such as structural competence are shown by shaded area.
3. Rated single line pull is 16,000 lb (7,200 kg) at 225 FPM (69 m/min) when using in ten (10) parts of load hoist line, 14,330 lb (6,500 kg) in one (1) to nine (9) parts of line.
4. The machine must be reeved and set-up as stated in the operation manual and all the instruction manuals if these manuals are missing, obtain replacements.
 - * Boom backstops are required for all boom lengths.
 - * Gantry must be in fully raised position for all operations.
 - * Crawlers must be fully extended and be locked in position.
 - * The crane must be leveled to within 1% on a firm supporting surface.
5. Attempting to lift more than rated loads may cause machine to tip or collapse. Do not tip machine to determine capacity.
6. Weight of hooks, hook blocks, slings and other lifting devices are a part of the total load. Their total weight must be subtracted from the rated load to obtain the weight that can be lifted.
7. When lifting over boom point with jib or auxiliary sheave, rated loads for the boom must be deducted as shown below.

Jib Length	Aux. sheave	20 ft (6.10 m)	30 ft (9.14 m)	40 ft (12.19 m)	50 ft (15.24 m)	60 ft (18.29 m)
Deduct	660 lb (300 kg)	1,985 lb (900 kg)	2,430 lb (1,100 kg)	2,870 lb (1,300 kg)	3,310 lb (1,500 kg)	3,485 lb (1,580 kg)

8. The total load that can be lifted over a jib is limited by rated jib loads.
The total load that can be lifted over an auxiliary sheave is limited by rated aux. sheave loads.
9. Boom lengths for jib mounting are 100 ft (30.48 m) to 150 ft (45.72 m).
10. An auxiliary sheave cannot be used on a 180 ft (54.86 m) boom length.
For the boom length exceeding 150 ft (45.72 m), mid point suspension pendant is required.
11. The boom should be erected over the front of the crawlers, not laterally.
12. Least stable position is over the side.
13. Lifting capacities listed apply only to the machine as originally manufactured and designed by KOBE STEEL, LTD. modifications to this machine or use of equipment other than that specified can reduce operating capacity.
14. Designed and rated to comply with ANSI Code B30.5.

Working Ranges (with fixed jib)

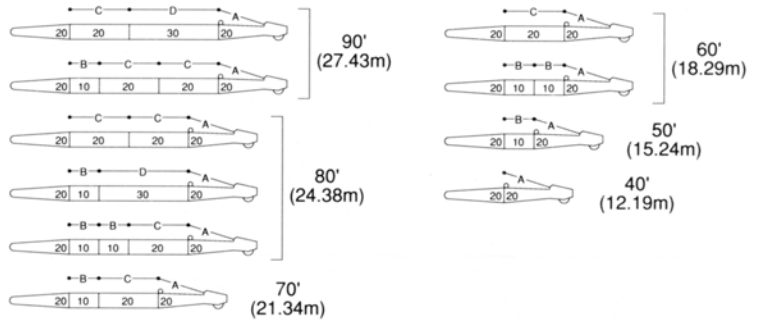
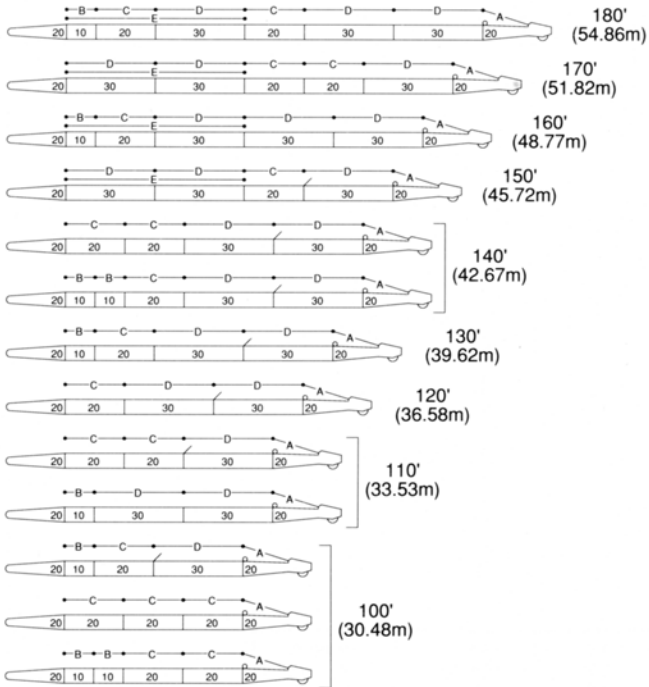


Boom And Guy Line Arrangement

Symbol	Dimensions of Guy Line	
	Diameter in (mm)	Length ft-in (m)
A	1 3/16 (30)	17-7 (5.36)
B	1 3/16 (30)	10-0 (3.05)
C	1 3/16 (30)	20-0 (6.10)
D	1 3/16 (30)	30-0 (9.14)
E	5/8 (16)	60-6 (18.43)

For most efficient use of this machine, boom and guy line arrangement must be correctly observed as shown in this figure.

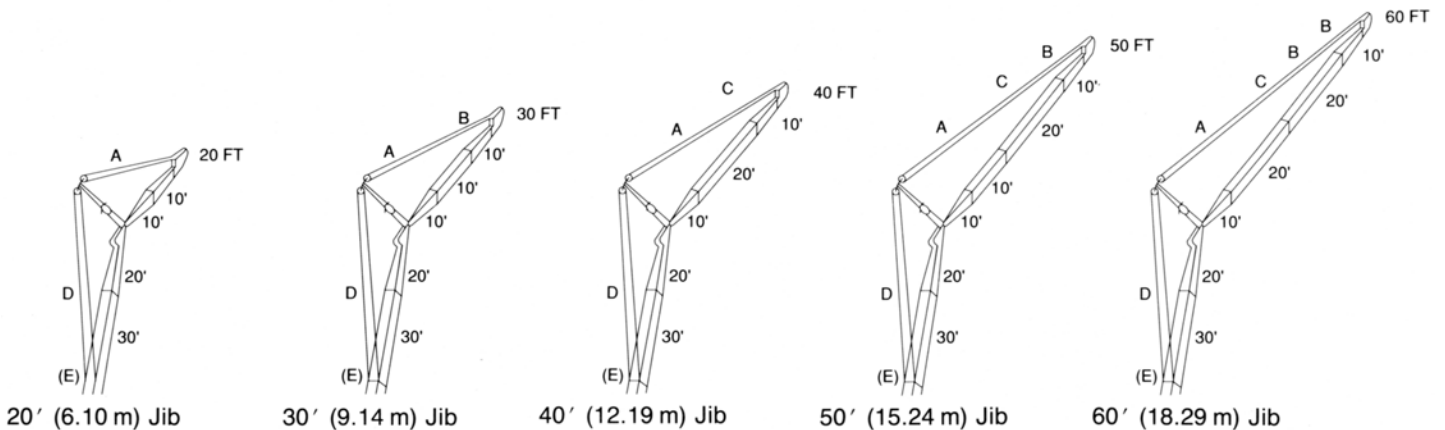
- ∟ Location of jib backstay anchor
- Location of cable roller on boom tip
- Location of cable roller on boom insert
- E: Location of midpoint section



Jib And Jib Guy Line Arrangement

Symbol	Dimensions of Guy Line	
	Diameter in (mm)	Length ft-in (m)
A	13/16 (20)	45-6 (13.87)
B	13/16 (20)	18-10 (5.74)
C	13/16 (20)	37-8 (11.48)
D	13/16 (20)	102-7 (31.28)
E	13/16 (20)	8-1 (2.46)

This figure shows the arrangement when the jib offset angle is 10 degrees. When setting the offset angle to 30 degrees, add the additional guy line E to the boom side guy line A.





CK800 Lifting Capacity

LIFT CRANE SERVICE

Refer to notes page 6.

No. of Counterweight : 2
Position of Crawler : Extended

Boom Length (ft)	Load Radius (ft)	Boom Angle (degree)	Boom Point Elev. (ft)	360° Rated Load (lbs)	Boom Length (ft)	Load Radius (ft)	Boom Angle (degree)	Boom Point Elev. (ft)	360° Rated Load (lbs)
40	11.5	79.8	44.96	160000	70	17.0	79.6	74.50	95600
	13.0	77.6	44.63	144600		18.0	78.8	74.30	86900
	14.0	76.1	44.38	134200		19.0	77.9	74.00	79600
	15.0	74.6	44.10	119900		20.0	77.1	73.80	73400
	16.0	73.1	43.80	106800		21.0	76.3	73.60	68000
	17.0	71.6	43.40	96300		22.0	75.4	73.30	63400
	18.0	70.0	43.10	87600		23.0	74.6	73.00	59300
	19.0	68.5	42.70	80300		24.0	73.7	72.70	55700
	20.0	66.9	42.20	74100		25.0	72.9	72.40	52500
	21.0	65.4	41.80	68800		26.0	72.0	72.10	49600
	22.0	63.8	41.30	64200		27.0	71.1	71.70	47000
	23.0	62.1	40.70	60100		28.0	70.3	71.40	44600
	24.0	60.5	40.20	56500		29.0	69.4	71.00	42500
	25.0	58.8	39.50	53300		30.0	68.5	70.60	40500
	26.0	57.1	38.90	50400		32.0	66.7	69.70	37100
	27.0	55.3	38.20	47800		34.0	64.9	68.80	34100
	28.0	53.6	37.40	45500		36.0	63.1	67.80	31600
	29.0	51.7	36.70	43300		38.0	61.2	66.70	29300
	30.0	49.8	35.80	41400		40.0	59.3	65.60	27400
	32.0	45.9	33.90	38000		45.0	54.4	62.20	23400
34.0	41.7	31.80	35000	50.0	49.1	58.20	20300		
36.0	37.1	29.20	32500	55.0	43.4	53.30	17900		
38.0	31.8	26.20	30300	60.0	37.0	47.20	16000		
40.0	25.7	22.30	28400	65.0	29.4	39.40	14400		
50	14.0	78.9	54.70	134200	80	19.0	79.5	84.20	79300
	15.0	77.7	54.40	119600		20.0	78.7	84.00	73100
	16.0	76.6	54.20	106500		21.0	78.0	83.80	67800
	17.0	75.4	53.90	95900		22.0	77.3	83.60	63100
	18.0	74.2	53.60	87200		23.0	76.5	83.30	59000
	19.0	73.0	53.30	80000		24.0	75.8	83.10	55400
	20.0	71.8	53.00	73800		25.0	75.1	82.80	52200
	21.0	70.6	52.60	68400		26.0	74.3	82.50	49300
	22.0	69.3	52.20	63800		27.0	73.6	82.20	46700
	23.0	68.1	51.80	59700		28.0	72.8	81.90	44400
	24.0	66.8	51.40	56100		29.0	72.1	81.60	42200
	25.0	65.6	50.90	52900		30.0	71.3	81.30	40300
	26.0	64.3	50.50	50000		32.0	69.8	80.50	36800
	27.0	63.0	49.90	47400		34.0	68.2	79.70	33800
	28.0	61.7	49.40	45100		36.0	66.7	78.90	31300
	29.0	60.4	48.80	42900		38.0	65.1	78.00	29100
	30.0	59.0	48.20	41000		40.0	63.5	77.00	27100
	32.0	56.3	46.90	37500		45.0	59.4	74.20	23100
	34.0	53.5	45.50	34600		50.0	55.1	70.90	20000
	36.0	50.5	43.80	32100		55.0	50.6	67.00	17600
38.0	47.5	42.00	29900	60.0	45.7	62.50	15600		
40.0	44.2	40.00	27900	65.0	40.4	57.00	14000		
45.0	35.0	33.80	24000	70.0	34.5	50.40	12700		
50.0	22.8	24.40	21000	75.0	27.4	41.80	11600		
60	15.0	79.8	64.70	119300	90	20.0	80.0	94.20	72900
	16.0	78.8	64.50	106200		21.0	79.4	94.00	67600
	17.0	77.9	64.20	95700		22.0	78.7	93.80	62900
	18.0	76.9	64.00	87000		23.0	78.1	93.60	58800
	19.0	75.9	63.70	79700		24.0	77.4	93.40	55200
	20.0	74.9	63.50	73500		25.0	76.8	93.20	52000
	21.0	73.9	63.20	68100		26.0	76.1	92.90	49100
	22.0	72.9	62.90	63500		27.0	75.4	92.60	46500
	23.0	71.9	62.50	59400		28.0	74.8	92.40	44100
	24.0	70.9	62.20	55800		29.0	74.1	92.10	42000
	25.0	69.9	61.80	52600		30.0	73.4	91.80	40000
	26.0	68.8	61.40	49700		32.0	72.1	91.10	36600
	27.0	67.8	61.00	47100		34.0	70.8	90.50	33600
	28.0	66.8	60.60	44800		36.0	69.4	89.70	31000
	29.0	65.7	60.10	42600		38.0	68.0	88.90	28800
	30.0	64.7	59.60	40700		40.0	66.7	88.10	26900
	32.0	62.5	58.60	37200		45.0	63.1	85.70	22900
	34.0	60.3	57.50	34300		50.0	59.5	82.90	19800
	36.0	58.1	56.30	31700		55.0	55.7	79.60	17400
	38.0	55.8	54.90	29500		60.0	51.7	75.90	15400
40.0	53.4	53.50	27600	65.0	47.5	71.50	13800		
45.0	47.1	49.20	23600	70.0	43.0	66.50	12400		
50.0	40.1	43.80	20600	75.0	38.0	60.50	11200		
55.0	31.8	36.70	18200	80.0	32.4	53.30	10300		
60.0	20.8	26.30	16300	85.0	25.8	44.10	9400		

CK800 Lifting Capacity

LIFT CRANE SERVICE

Refer to notes page 6.

No. of Counterweight : 2
Position of Crawler : Extended

Boom Length (ft)	Load Radius (ft)	Boom Angle (degree)	Boom Point Elev. (ft)	360° Rated Load (lbs)	Boom Length (ft)	Load Radius (ft)	Boom Angle (degree)	Boom Point Elev. (ft)	360° Rated Load (lbs)
100	22.0	79.9	104.00	62700	130	27.0	80.0	133.60	45800
	23.0	79.3	103.80	58600		28.0	79.5	133.40	43400
	24.0	78.7	103.60	55000		29.0	79.1	133.20	41300
	25.0	78.1	103.40	51700		30.0	78.6	133.00	39300
	26.0	77.5	103.20	48800		32.0	77.7	132.60	35800
	27.0	76.9	103.00	46200		34.0	76.8	132.10	32900
	28.0	76.3	102.70	43900		36.0	75.9	131.60	30300
	29.0	75.7	102.50	41700		38.0	75.0	131.10	28100
	30.0	75.1	102.20	39800		40.0	74.1	130.50	26100
	32.0	74.0	101.60	36300		45.0	71.8	129.00	22100
	34.0	72.8	101.00	33300		50.0	69.4	127.20	19000
	36.0	71.6	100.40	30800		55.0	67.1	125.10	16500
	38.0	70.3	99.60	28500		60.0	64.6	122.90	14500
	40.0	69.1	98.90	26600		65.0	62.2	120.30	12900
	45.0	66.0	96.80	22600		70.0	59.6	117.50	11500
	50.0	62.8	94.30	19500		75.0	57.0	114.40	10300
	55.0	59.5	91.50	17000		80.0	54.4	110.90	9300
	60.0	56.1	88.30	15100		85.0	51.6	107.10	8400
	65.0	52.6	84.70	13400		90.0	48.7	102.90	7700
	70.0	48.9	80.50	12100		95.0	45.7	98.20	7000
75.0	44.9	75.80	10900	100.0	42.5	93.00	6400		
80.0	40.6	70.30	9900	110.0	35.4	80.40	5400		
85.0	36.0	63.80	9000	120.0	26.8	63.60	4600		
90.0	30.7	56.10	8300						
95.0	24.4	46.30	7600						
110	24.0	79.7	113.80	55000	140	29.0	79.9	143.40	41000
	25.0	79.2	113.70	51700		30.0	79.5	143.20	39000
	26.0	78.7	113.40	48800		32.0	78.6	142.80	35600
	27.0	78.1	113.20	46200		34.0	77.8	142.40	32600
	28.0	77.6	113.00	43900		36.0	76.9	141.90	30000
	29.0	77.1	112.80	41700		38.0	76.1	141.40	27800
	30.0	76.5	112.50	39700		40.0	75.3	140.90	25800
	32.0	75.5	112.00	36300		45.0	73.1	139.50	21800
	34.0	74.4	111.50	33300		50.0	71.0	137.80	18700
	36.0	73.3	110.90	30800		55.0	68.8	136.00	16200
	38.0	72.2	110.20	28500		60.0	66.6	133.90	14200
	40.0	71.1	109.60	26600		65.0	64.3	131.60	12600
	45.0	68.3	107.70	22500		70.0	62.0	129.00	11200
	50.0	65.5	105.50	19500		75.0	59.7	126.20	10000
	55.0	62.6	103.00	17000		80.0	57.3	123.10	9000
	60.0	59.6	100.20	15000		85.0	54.8	119.60	8100
	65.0	56.5	97.00	13400		90.0	52.2	115.90	7300
	70.0	53.3	93.50	12000		95.0	49.6	111.80	6600
	75.0	49.9	89.40	10800		100.0	46.8	107.30	6000
	80.0	46.4	84.90	9800		110.0	40.9	96.70	5000
85.0	42.7	79.80	9000	120.0	34.1	83.50	4200		
90.0	38.7	73.80	8200	130.0	25.8	65.90	3500		
95.0	34.2	67.00	7500						
100.0	29.2	58.80	6900						
120	26.0	79.6	123.60	48600	150	32.0	79.4	153.00	35400
	27.0	79.1	123.50	46000		34.0	78.6	152.60	32500
	28.0	78.6	123.30	43700		36.0	77.8	152.20	29900
	29.0	78.2	123.00	41500		38.0	77.0	151.70	27700
	30.0	77.7	122.80	39500		40.0	76.3	151.30	25700
	32.0	76.7	122.40	36100		45.0	74.3	149.90	21700
	34.0	75.7	121.80	33100		50.0	72.3	148.40	18600
	36.0	74.7	121.30	30500		55.0	70.3	146.70	16100
	38.0	73.7	120.70	28300		60.0	68.2	144.70	14100
	40.0	72.7	120.10	26300		65.0	66.1	142.60	12500
	45.0	70.2	118.40	22300		70.0	64.0	140.30	11100
	50.0	67.6	116.40	19200		75.0	61.9	137.70	9900
	55.0	65.0	114.20	16800		80.0	59.7	134.80	8900
	60.0	62.4	111.70	14800		85.0	57.4	131.70	8000
	65.0	59.6	108.90	13200		90.0	55.1	128.40	7200
	70.0	56.8	105.70	11800		95.0	52.8	124.70	6500
	75.0	53.9	102.20	10600		100.0	50.3	120.70	5900
	80.0	50.8	98.30	9600		110.0	45.1	111.50	4900
	85.0	47.7	93.90	8700		120.0	39.4	100.40	4000
	90.0	44.3	89.10	7900		130.0	32.9	86.50	3300
95.0	40.8	83.50	7300	140.0	24.9	68.20	2800		
100.0	36.9	77.20	6700						
110.0	27.9	61.30	5700						



CK800 Lifting Capacity

LIFT CRANE SERVICE

Refer to notes page 6.

No. of Counterweight : 2
Position of Crawler : Extended

Boom Length (ft)	Load Radius (ft)	Boom Angle (degree)	Boom Point Elev. (ft)	360° Rated Load (lbs)
160	34.0	79.3	162.80	32200
	36.0	78.6	162.40	29600
	38.0	77.9	162.00	27300
	40.0	77.1	161.60	25400
	45.0	75.3	160.30	21300
	50.0	73.4	158.90	18200
	55.0	71.5	157.30	15800
	60.0	69.6	155.50	13800
	65.0	67.7	153.50	12100
	70.0	65.8	151.30	10700
	75.0	63.8	148.90	9500
	80.0	61.8	146.30	8500
	85.0	59.7	143.50	7600
	90.0	57.6	140.40	6900
	95.0	55.5	137.10	6200
	100.0	53.2	133.50	5500
	110.0	48.6	125.30	4500
120.0	43.6	115.50	3700	
130.0	38.1	103.90	3000	
140.0	31.8	89.40	2400	
150.0	24.1	70.30	1900	
170	34.0	80.0	173.00	30200
	36.0	79.3	172.60	29400
	38.0	78.6	172.20	27100
	40.0	77.9	171.80	25200
	45.0	76.2	170.60	21100
	50.0	74.4	169.30	18000
	55.0	72.7	167.80	15600
	60.0	70.9	166.10	13600
	65.0	69.1	164.30	11900
	70.0	67.3	162.30	10500
	75.0	65.4	160.00	9300
	80.0	63.6	157.60	8300
	85.0	61.7	155.00	7400
	90.0	59.7	152.20	6600
	95.0	57.7	149.10	5900
	100.0	55.7	145.80	5300
	110.0	51.5	138.40	4300
120.0	47.1	129.70	3400	
130.0	42.2	119.50	2700	
140.0	36.9	107.20	2100	
150.0	30.8	92.20	1600	
160.0	23.4	72.40	1200	
180	36.0	79.9	182.80	25900
	38.0	79.2	182.40	25600
	40.0	78.6	182.00	25000
	45.0	77.0	180.90	21000
	50.0	75.3	179.60	17900
	55.0	73.7	178.20	15400
	60.0	72.0	176.70	13400
	65.0	70.3	174.90	11700
	70.0	68.6	173.00	10400
	75.0	66.9	171.00	9200
	80.0	65.1	168.70	8100
	85.0	63.4	166.30	7200
	90.0	61.6	163.60	6500
	95.0	59.7	160.80	5800
	100.0	57.9	157.70	5100
	110.0	54.0	150.90	4100
	120.0	50.0	143.00	3200
130.0	45.6	133.90	2500	
140.0	41.0	123.20	1900	
150.0	35.8	110.50	1400	
160.0	29.9	94.80	900	
170.0	22.7	74.40	600	

Ratings inside the shaded area are governed by the strength of the boom or other structural components.

CK800 Lifting Capacity

LIFT CRANE SERVICE

Refer to notes page 6.

No. of Counterweight : 1
Position of Crawler : Extended

Boom Length (ft)	Load Radius (ft)	Boom Angle (degree)	Boom Point Elev. (ft)	360° Rated Load (lbs)	Boom Length (ft)	Load Radius (ft)	Boom Angle (degree)	Boom Point Elev. (ft)	360° Rated Load (lbs)
40	14.0	76.1	44.40	103000	70	17.0	79.6	74.50	71800
	15.0	74.6	44.10	90400		18.0	78.8	74.30	65200
	16.0	73.1	43.80	80500		19.0	77.9	74.00	59700
	17.0	71.6	43.40	72500		20.0	77.1	73.80	55000
	18.0	70.0	43.10	65900		21.0	76.3	73.60	50900
	19.0	68.5	42.70	60400		22.0	75.4	73.30	47400
	20.0	66.9	42.20	55700		23.0	74.6	73.00	44300
	21.0	65.4	41.80	51600		24.0	73.7	72.70	41500
	22.0	63.8	41.30	48100		25.0	72.9	72.40	39100
	23.0	62.1	40.70	45000		26.0	72.0	72.10	36900
	24.0	60.5	40.20	42300		27.0	71.1	71.70	34900
	25.0	58.8	39.50	39900		28.0	70.3	71.40	33100
	26.0	57.1	38.90	37700		29.0	69.4	71.00	31500
	27.0	55.3	38.20	35700		30.0	68.5	70.60	30000
	28.0	53.6	37.40	34000		32.0	66.7	69.70	27400
	29.0	51.7	36.70	32300		34.0	64.9	68.80	25200
	30.0	49.8	35.80	30900		36.0	63.1	67.80	23200
32.0	45.9	33.90	28200	38.0	61.2	66.70	21500		
34.0	41.7	31.80	26000	40.0	59.3	65.60	20100		
36.0	37.1	29.20	24100	45.0	54.4	62.20	17000		
38.0	31.8	26.20	22500	50.0	49.1	58.20	14700		
40.0	25.7	22.30	21000	55.0	43.4	53.30	12900		
					60.0	37.0	47.20	11400	
					65.0	29.4	39.40	10200	
50	14.0	78.9	54.70	102700	80	19.0	79.5	84.20	59500
	15.0	77.7	54.40	90100		20.0	78.7	84.00	54700
	16.0	76.6	54.20	80200		21.0	78.0	83.80	50700
	17.0	75.4	53.90	72200		22.0	77.3	83.60	47100
	18.0	74.2	53.60	65600		23.0	76.5	83.30	44000
	19.0	73.0	53.30	60000		24.0	75.8	83.10	41300
	20.0	71.8	53.00	55300		25.0	75.1	82.80	38900
	21.0	70.6	52.60	51300		26.0	74.3	82.50	36700
	22.0	69.3	52.20	47800		27.0	73.6	82.20	34700
	23.0	68.1	51.80	44700		28.0	72.8	81.90	32900
	24.0	66.8	51.40	41900		29.0	72.1	81.60	31300
	25.0	65.6	50.90	39500		30.0	71.3	81.30	29800
	26.0	64.3	50.50	37300		32.0	69.8	80.50	27100
	27.0	63.0	49.90	35400		34.0	68.2	79.70	24900
	28.0	61.7	49.40	33600		36.0	66.7	78.90	23000
	29.0	60.4	48.80	31900		38.0	65.1	78.00	21300
	30.0	59.0	48.20	30500		40.0	63.5	77.00	19800
32.0	56.3	46.90	27900	45.0	59.4	74.20	16700		
34.0	53.5	45.50	25600	50.0	55.1	70.90	14400		
36.0	50.5	43.80	23700	55.0	50.6	67.00	12600		
38.0	47.5	42.00	22000	60.0	45.7	62.50	11100		
40.0	44.2	40.00	20600	65.0	40.4	57.00	9900		
45.0	35.0	33.80	17600	70.0	34.5	50.40	8800		
50.0	22.8	24.40	15300	75.0	27.4	41.80	8000		
60	15.0	79.8	64.70	89900	90	20.0	80.0	94.20	54400
	16.0	78.8	64.50	80000		21.0	79.4	94.00	50600
	17.0	77.9	64.20	72000		22.0	78.7	93.80	47000
	18.0	76.9	64.00	65400		23.0	78.1	93.60	43900
	19.0	75.9	63.70	59800		24.0	77.4	93.40	41200
	20.0	74.9	63.50	55100		25.0	76.8	93.20	38700
	21.0	73.9	63.20	51100		26.0	76.1	92.90	36500
	22.0	72.9	62.90	47500		27.0	75.4	92.60	34600
	23.0	71.9	62.50	44400		28.0	74.8	92.40	32800
	24.0	70.9	62.20	41700		29.0	74.1	92.10	31100
	25.0	69.9	61.80	39300		30.0	73.4	91.80	29600
	26.0	68.8	61.40	37100		32.0	72.1	91.10	27000
	27.0	67.8	61.00	35100		34.0	70.8	90.50	24800
	28.0	66.8	60.60	33300		36.0	69.4	89.70	22800
	29.0	65.7	60.10	31700		38.0	68.0	88.90	21100
	30.0	64.7	59.60	30200		40.0	66.7	88.10	19600
	32.0	62.5	58.60	27600		45.0	63.1	85.70	16600
34.0	60.3	57.50	25300	50.0	59.5	82.90	14200		
36.0	58.1	56.30	23400	55.0	55.7	79.60	12400		
38.0	55.8	54.90	21700	60.0	51.7	75.90	10900		
40.0	53.4	53.50	20300	65.0	47.5	71.50	9700		
45.0	47.1	49.20	17200	70.0	43.0	66.50	8600		
50.0	40.1	43.80	14900	75.0	38.0	60.50	7800		
55.0	31.8	36.70	13100	80.0	32.4	53.30	7000		
60.0	20.8	26.30	11700	85.0	25.8	44.10	6400		

CK800 Lifting Capacity

LIFT CRANE SERVICE

Refer to notes page 6.

No. of Counterweight : 1
Position of Crawler : Extended

Boom Length (ft)	Load Radius (ft)	Boom Angle (degree)	Boom Point Elev. (ft)	360° Rated Load (lbs)	Boom Length (ft)	Load Radius (ft)	Boom Angle (degree)	Boom Point Elev. (ft)	360° Rated Load (lbs)
100	22.0	79.9	104.00	46700	130	27.0	80.0	133.60	33800
	23.0	79.3	103.80	43600		28.0	79.5	133.40	32000
	24.0	78.7	103.60	40800		29.0	79.1	133.20	30400
	25.0	78.1	103.40	38400		30.0	78.6	133.00	28900
	26.0	77.5	103.20	36200		32.0	77.7	132.60	26200
	27.0	76.9	103.00	34200		34.0	76.8	132.10	24000
	28.0	76.3	102.70	32400		36.0	75.9	131.60	22000
	29.0	75.7	102.50	30800		38.0	75.0	131.10	20300
	30.0	75.1	102.20	29300		40.0	74.1	130.50	18800
	32.0	74.0	101.60	26600		45.0	71.8	129.00	15800
	34.0	72.8	101.00	24400		50.0	69.4	127.20	13400
	36.0	71.6	100.40	22500		55.0	67.1	125.10	11500
	38.0	70.3	99.60	20800		60.0	64.6	122.90	10000
	40.0	69.1	98.90	19300		65.0	62.2	120.30	8800
	45.0	66.0	96.80	16200		70.0	59.6	117.50	7700
	50.0	62.8	94.30	13900		75.0	57.0	114.40	6800
	55.0	59.5	91.50	12000		80.0	54.4	110.90	6100
	60.0	56.1	88.30	10500		85.0	51.6	107.10	5400
	65.0	52.6	84.70	9300		90.0	48.7	102.90	4800
	70.0	48.9	80.50	8200		95.0	45.7	98.20	4300
75.0	44.9	75.80	7400	100.0	42.5	93.00	3800		
80.0	40.6	70.30	6600	110.0	35.4	80.40	3100		
85.0	36.0	63.80	5900	120.0	26.8	63.60	2400		
90.0	30.7	56.10	5400						
95.0	24.4	46.30	4900						
110	24.0	79.7	113.80	40900	140	29.0	79.9	143.40	30000
	25.0	79.2	113.70	38400		30.0	79.5	143.20	28500
	26.0	78.7	113.40	36200		32.0	78.6	142.80	25800
	27.0	78.1	113.20	34200		34.0	77.8	142.40	23600
	28.0	77.6	113.00	32400		36.0	76.9	141.90	21600
	29.0	77.1	112.80	30800		38.0	76.1	141.40	19900
	30.0	76.5	112.50	29300		40.0	75.3	140.90	18400
	32.0	75.5	112.00	26700		45.0	73.1	139.50	15300
	34.0	74.4	111.50	24400		50.0	71.0	137.80	13000
	36.0	73.3	110.90	22500		55.0	68.8	136.00	11100
	38.0	72.2	110.20	20800		60.0	66.6	133.90	9600
	40.0	71.1	109.60	19300		65.0	64.3	131.60	8400
	45.0	68.3	107.70	16200		70.0	62.0	129.00	7300
	50.0	65.5	105.50	13900		75.0	59.7	126.20	6400
	55.0	62.6	103.00	12000		80.0	57.3	123.10	5600
	60.0	59.6	100.20	10500		85.0	54.8	119.60	5000
	65.0	56.5	97.00	9300		90.0	52.2	115.90	4400
	70.0	53.3	93.50	8200		95.0	49.6	111.80	3800
	75.0	49.9	89.40	7300		100.0	46.8	107.30	3400
	80.0	46.4	84.90	6600		110.0	40.9	96.70	2600
85.0	42.7	79.80	5900	120.0	34.1	83.50	2000		
90.0	38.7	73.80	5300	130.0	25.8	65.90	1500		
95.0	34.2	67.00	4800						
100.0	29.2	58.80	4300						
120	26.0	79.6	123.60	36000	150	32.0	79.4	153.00	25900
	27.0	79.1	123.50	34000		34.0	78.6	152.60	23600
	28.0	78.6	123.30	32200		36.0	77.8	152.20	21600
	29.0	78.2	123.00	30600		38.0	77.0	151.70	19900
	30.0	77.7	122.80	29100		40.0	76.3	151.30	18400
	32.0	76.7	122.40	26400		45.0	74.3	149.90	15400
	34.0	75.7	121.80	24200		50.0	72.3	148.40	13000
	36.0	74.7	121.30	22200		55.0	70.3	146.70	11200
	38.0	73.7	120.70	20500		60.0	68.2	144.70	9600
	40.0	72.7	120.10	19000		65.0	66.1	142.60	8400
	45.0	70.2	118.40	16000		70.0	64.0	140.30	7300
	50.0	67.6	116.40	13600		75.0	61.9	137.70	6400
	55.0	65.0	114.20	11800		80.0	59.7	134.80	5600
	60.0	62.4	111.70	10300		85.0	57.4	131.70	5000
	65.0	59.6	108.90	9000		90.0	55.1	128.40	4400
	70.0	56.8	105.70	8000		95.0	52.8	124.70	3800
	75.0	53.9	102.20	7100		100.0	50.3	120.70	3400
	80.0	50.8	98.30	6300		110.0	45.1	111.50	2600
	85.0	47.7	93.90	5600		120.0	39.4	100.40	1900
	90.0	44.3	89.10	5100		130.0	32.9	86.50	1400
95.0	40.8	83.50	4600	140.0	24.9	68.20	1000		
100.0	36.9	77.20	4100						
110.0	27.9	61.30	3300						

CK800 Lifting Capacity

LIFT CRANE SERVICE

Refer to notes page 6.

No. of Counterweight : 1
Position of Crawler : Retracted

Boom Length (ft)	Load Radius (ft)	Boom Angle (degree)	Boom Point Elev. (ft)	360° Rated Load (lbs)	Boom Length (ft)	Load Radius (ft)	Boom Angle (degree)	Boom Point Elev. (ft)	360° Rated Load (lbs)
40	14.0	76.1	44.40	63600	70	17.0	79.6	74.50	46800
	15.0	74.6	44.10	57300		18.0	78.8	74.30	43100
	16.0	73.1	43.80	52100		19.0	77.9	74.00	39900
	17.0	71.6	43.40	47700		20.0	77.1	73.80	37100
	18.0	70.0	43.10	43900		21.0	76.3	73.60	34600
	19.0	68.5	42.70	40700		22.0	75.4	73.30	32500
	20.0	66.9	42.20	37900		23.0	74.6	73.00	30500
	21.0	65.4	41.80	35500		24.0	73.7	72.70	28800
	22.0	63.8	41.30	33300		25.0	72.9	72.40	27200
	23.0	62.1	40.70	31400		26.0	72.0	72.10	25800
	24.0	60.5	40.20	29700		27.0	71.1	71.70	24500
	25.0	58.8	39.50	28100		28.0	70.3	71.40	23300
	26.0	57.1	38.90	26700		29.0	69.4	71.00	22200
	27.0	55.3	38.20	25400		30.0	68.5	70.60	21200
	28.0	53.6	37.40	24200		32.0	66.7	69.70	19400
	29.0	51.7	36.70	23100		34.0	64.9	68.80	17900
	30.0	49.8	35.80	22100		36.0	63.1	67.80	16600
	32.0	45.9	33.90	20400		38.0	61.2	66.70	15400
	34.0	41.7	31.80	18800		40.0	59.3	65.60	14300
	36.0	37.1	29.20	17500		45.0	54.4	62.20	12200
	38.0	31.8	26.20	16300		50.0	49.1	58.20	10500
40.0	25.7	22.30	15300	55.0	43.4	53.30	9200		
					60.0	37.0	47.20	8100	
					65.0	29.4	39.40	7200	
50	14.0	78.9	54.70	63300	80	19.0	79.5	84.20	39600
	15.0	77.7	54.40	56900		20.0	78.7	84.00	36800
	16.0	76.6	54.20	51700		21.0	78.0	83.80	34400
	17.0	75.4	53.90	47300		22.0	77.3	83.60	32200
	18.0	74.2	53.60	43600		23.0	76.5	83.30	30300
	19.0	73.0	53.30	40400		24.0	75.8	83.10	28500
	20.0	71.8	53.00	37600		25.0	75.1	82.80	27000
	21.0	70.6	52.60	35100		26.0	74.3	82.50	25500
	22.0	69.3	52.20	33000		27.0	73.6	82.20	24200
	23.0	68.1	51.80	31000		28.0	72.8	81.90	23100
	24.0	66.8	51.40	29300		29.0	72.1	81.60	22000
	25.0	65.6	50.90	27700		30.0	71.3	81.30	21000
	26.0	64.3	50.50	26300		32.0	69.8	80.50	19200
	27.0	63.0	49.90	25000		34.0	68.2	79.70	17600
	28.0	61.7	49.40	23800		36.0	66.7	78.90	16300
	29.0	60.4	48.80	22800		38.0	65.1	78.00	15100
	30.0	59.0	48.20	21800		40.0	63.5	77.00	14100
	32.0	56.3	46.90	20000		45.0	59.4	74.20	11900
	34.0	53.5	45.50	18500		50.0	55.1	70.90	10200
	36.0	50.5	43.80	17100		55.0	50.6	67.00	8900
	38.0	47.5	42.00	15900		60.0	45.7	62.50	7800
40.0	44.2	40.00	14900	65.0	40.4	57.00	6900		
45.0	35.0	33.80	12800	70.0	34.5	50.40	6100		
50.0	22.8	24.40	11100	75.0	27.4	41.80	5500		
60	15.0	79.8	64.70	56700	90	20.0	80.0	94.20	36300
	16.0	78.8	64.50	51400		21.0	79.4	94.00	34200
	17.0	77.9	64.20	47100		22.0	78.7	93.80	32000
	18.0	76.9	64.00	43300		23.0	78.1	93.60	30000
	19.0	75.9	63.70	40100		24.0	77.4	93.40	28300
	20.0	74.9	63.50	37300		25.0	76.8	93.20	26700
	21.0	73.9	63.20	34900		26.0	76.1	92.90	25300
	22.0	72.9	62.90	32700		27.0	75.4	92.60	24000
	23.0	71.9	62.50	30700		28.0	74.8	92.40	22800
	24.0	70.9	62.20	29000		29.0	74.1	92.10	21700
	25.0	69.9	61.80	27400		30.0	73.4	91.80	20700
	26.0	68.8	61.40	26000		32.0	72.1	91.10	19000
	27.0	67.8	61.00	24700		34.0	70.8	90.50	17400
	28.0	66.8	60.60	23500		36.0	69.4	89.70	16100
	29.0	65.7	60.10	22500		38.0	68.0	88.90	14900
	30.0	64.7	59.60	21500		40.0	66.7	88.10	13800
	32.0	62.5	58.60	19700		45.0	63.1	85.70	11700
	34.0	60.3	57.50	18100		50.0	59.5	82.90	10000
	36.0	58.1	56.30	16800		55.0	55.7	79.60	8700
	38.0	55.8	54.90	15600		60.0	51.7	75.90	7600
	40.0	53.4	53.50	14600		65.0	47.5	71.50	6600
45.0	47.1	49.20	12400	70.0	43.0	66.50	5900		
50.0	40.1	43.80	10800	75.0	38.0	60.50	5200		
55.0	31.8	36.70	9400	80.0	32.4	53.30	4600		
60.0	20.8	26.30	8400	85.0	25.8	44.10	4200		

CK800 Lifting Capacity

LIFT CRANE SERVICE

Refer to notes page 6.

No. of Counterweight : 1
Position of Crawler : Retracted

Boom Length (ft)	Load Radius (ft)	Boom Angle (degree)	Boom Point Elev. (ft)	360° Rated Load (lbs)	Boom Length (ft)	Load Radius (ft)	Boom Angle (degree)	Boom Point Elev. (ft)	360° Rated Load (lbs)
100	22.0	79.9	104.00	31600	130	27.0	80.0	133.60	23200
	23.0	79.3	103.80	29700		28.0	79.5	133.40	22000
	24.0	78.7	103.60	27900		29.0	79.1	133.20	20900
	25.0	78.1	103.40	26400		30.0	78.6	133.00	19900
	26.0	77.5	103.20	25000		32.0	77.7	132.60	18200
	27.0	76.9	103.00	23700		34.0	76.8	132.10	16600
	28.0	76.3	102.70	22500		36.0	75.9	131.60	15300
	29.0	75.7	102.50	21400		38.0	75.0	131.10	14100
	30.0	75.1	102.20	20400		40.0	74.1	130.50	13000
	32.0	74.0	101.60	18600		45.0	71.8	129.00	10900
	34.0	72.8	101.00	17100		50.0	69.4	127.20	9200
	36.0	71.6	100.40	15700		55.0	67.1	125.10	7800
	38.0	70.3	99.60	14500		60.0	64.6	122.90	6700
	40.0	69.1	98.90	13500		65.0	62.2	120.30	5800
	45.0	66.0	96.80	11300		70.0	59.6	117.50	5000
	50.0	62.8	94.30	9600		75.0	57.0	114.40	4300
	55.0	59.5	91.50	8300		80.0	54.4	110.90	3700
	60.0	56.1	88.30	7200		85.0	51.6	107.10	3200
	65.0	52.6	84.70	6300		90.0	48.7	102.90	2800
	70.0	48.9	80.50	5500		95.0	45.7	98.20	2400
75.0	44.9	75.80	4800	100.0	42.5	93.00	2100		
80.0	40.6	70.30	4200	110.0	35.4	80.40	1500		
85.0	36.0	63.80	3800	120.0	26.8	63.60	1000		
90.0	30.7	56.10	3300						
95.0	24.4	46.30	3000						
110	24.0	79.7	113.80	28000	140	29.0	79.9	143.40	20500
	25.0	79.2	113.70	26400		30.0	79.5	143.20	19500
	26.0	78.7	113.40	25000		32.0	78.6	142.80	17700
	27.0	78.1	113.20	23700		34.0	77.8	142.40	16200
	28.0	77.6	113.00	22500		36.0	76.9	141.90	14800
	29.0	77.1	112.80	21400		38.0	76.1	141.40	13700
	30.0	76.5	112.50	20400		40.0	75.3	140.90	12600
	32.0	75.5	112.00	18600		45.0	73.1	139.50	10400
	34.0	74.4	111.50	17100		50.0	71.0	137.80	8700
	36.0	73.3	110.90	15700		55.0	68.8	136.00	7400
	38.0	72.2	110.20	14500		60.0	66.6	133.90	6300
	40.0	71.1	109.60	13500		65.0	64.3	131.60	5300
	45.0	68.3	107.70	11300		70.0	62.0	129.00	4600
	50.0	65.5	105.50	9600		75.0	59.7	126.20	3900
	55.0	62.6	103.00	8300		80.0	57.3	123.10	3300
	60.0	59.6	100.20	7200		85.0	54.8	119.60	2800
	65.0	56.5	97.00	6200		90.0	52.2	115.90	2400
	70.0	53.3	93.50	5500		95.0	49.6	111.80	2000
	75.0	49.9	89.40	4800		100.0	46.8	107.30	1600
	80.0	46.4	84.90	4200		110.0	40.9	96.70	1000
85.0	42.7	79.80	3700	120.0	34.1	83.50	500		
90.0	38.7	73.80	3300						
95.0	34.2	67.00	2900						
100.0	29.2	58.80	2500						
120	26.0	79.6	123.60	24700					
	27.0	79.1	123.50	23500					
	28.0	78.6	123.30	22300					
	29.0	78.2	123.00	21200					
	30.0	77.7	122.80	20200					
	32.0	76.7	122.40	18400					
	34.0	75.7	121.80	16800					
	36.0	74.7	121.30	15500					
	38.0	73.7	120.70	14300					
	40.0	72.7	120.10	13300					
	45.0	70.2	118.40	11100					
	50.0	67.6	116.40	9400					
	55.0	65.0	114.20	8000					
	60.0	62.4	111.70	6900					
	65.0	59.6	108.90	6000					
	70.0	56.8	105.70	5200					
	75.0	53.9	102.20	4600					
	80.0	50.8	98.30	4000					
	85.0	47.7	93.90	3500					
	90.0	44.3	89.10	3000					
95.0	40.8	83.50	2600						
100.0	36.9	77.20	2300						
110.0	27.9	61.30	1700						

CK800 Jib Lifting Capacity

LIFT CRANE SERVICE Refer to notes page 6.

Load Radius (ft)	100' Boom										Load Radius (ft)	130' Boom											
	20' Jib		30' Jib		40' Jib		50' Jib		60' Jib			20' Jib		30' Jib		40' Jib		50' Jib		60' Jib			
	Offset Angle		Offset Angle		Offset Angle		Offset Angle		Offset Angle			Offset Angle		Offset Angle		Offset Angle		Offset Angle		Offset Angle			
	10°	30°	10°	30°	10°	30°	10°	30°	10°	30°		10°	30°	10°	30°	10°	30°	10°	30°	10°	30°		
30	14300										30												
32	14300										32												
34	14300	14300	14300								34	14300											
36	14300	14300	14300								36	14300											
38	14300	14300	14300								38	14300											
40	14300	14300	14300	13200	13200				11500		40	14300	14300	14300		13200							
45	14300	14300	14300	13200	13200				11500		45	14300	14300	14300		13200							
50	14300	14300	14300	13200	13200	9500	11500		9500		50	14300	14300	14300	13200	13200		11500		9500			
55	14300	14300	14300	13200	13200	9500	11500	8200	9500		55	14300	14300	14300	13200	13200	9500	11500		9500			
60	14300	14300	14300	13200	13200	9500	11500	8200	9500	6600	60	14200	14200	14200	13200	13200	9500	11500	8200	9500	6600		
65	13800	13800	13800	13200	13200	9500	11500	8200	9500	6600	65	13400	13400	13400	13200	13200	9500	11500	8200	9500	6600		
70	12500	12500	12500	12300	12500	9500	11500	8200	9500	6600	70	12000	12000	12000	12000	12000	9500	11500	8200	9500	6600		
75	11300	11300	11300	11300	11300	9500	11100	8200	9500	6600	75	10800	10700	10800	10700	10800	9500	10800	8200	9300	6600		
80	10300	10300	10300	10300	10300	9400	10300	8200	9100	6600	80	9900	9700	9900	9700	9900	9400	9900	8200	8400	6600		
85	9300	9300	9300	9300	9300	9300	9300	8200	8200	6600	85	8900	8900	8900	8900	8900	8900	8900	8200	7500	6600		
90											90	8000	8000	8000	8000	8000	8000	8000	8000	6900	6600		
95											95	7300	7300	7300	7300	7300	7300	7300	7300	6300	6600		
100											100	6700	6700	6700	6700	6700	6700	6700	6700	5800	6300		
110											110	6200	6200	6200	6200	6200	6200	6200	6200	4900	5400		
120											120	5700	5700	5700	5700	5700	5700	5700	5700				
Load Radius (ft)	110' Boom										Load Radius (ft)	140' Boom											
	20' Jib		30' Jib		40' Jib		50' Jib		60' Jib			20' Jib		30' Jib		40' Jib		50' Jib		60' Jib			
	Offset Angle		Offset Angle		Offset Angle		Offset Angle		Offset Angle			Offset Angle		Offset Angle		Offset Angle		Offset Angle		Offset Angle			
	10°	30°	10°	30°	10°	30°	10°	30°	10°	30°		10°	30°	10°	30°	10°	30°	10°	30°	10°	30°		
30	14300										30												
32	14300										32												
34	14300		14300								34	14300											
36	14300		14300								36	14300											
38	14300		14300								38	14300											
40	14300	14300	14300			13200			11500		40	14300	14300	14300		13200							
45	14300	14300	14300			13200			11500		45	14300	14300	14300		13200							
50	14300	14300	14300	13200	13200				11500		50	14300	14300	14300	13200	13200		11500		9500			
55	14300	14300	14300	13200	13200	9500	11500	8200	9500	6600	55	14300	14300	14300	3200	13200	9500	11500		9500			
60	14300	14200	14300	13200	13200	9500	11500	8200	9500	6600	60	14100	14100	14100	13200	13200	9500	11500	8200	9500	6600		
65	13800	13600	13800	13200	13200	9500	11500	8200	9500	6600	65	12900	12900	12900	12900	12900	9500	11500	8200	9500	6600		
70	12500	12500	12500	12500	12500	9500	11500	8200	9500	6600	70	11600	11600	11600	11600	11600	9500	11300	8200	9500	6600		
75	11200	11200	11200	11200	11200	9500	11200	8200	9400	6600	75	10300	10300	10300	10300	10300	9500	10300	8200	9000	6500		
80	10100	10100	10100	10100	10100	9500	10100	8200	8900	6600	80	9200	9200	9200	9200	9200	9200	9200	8200	8200	6400		
85	9300	9300	9300	9300	9300	9300	9300	8200	8000	6600	85	8400	8400	8400	8400	8400	8400	8400	8200	7300	6200		
90	8500	8500	8500	8500	8500	8500	8500	8200	7300	6600	90	7600	7600	7600	7600	7600	7600	7600	7600	6600	6000		
95	7700	7700	7700	7700	7700	7700	7700	7700	6600	6600	95	6800	6800	6800	6800	6800	6800	6800	6800	6000	5800		
100											100	6200	6200	6200	6200	6200	6200	6200	6200	5300	5700		
110											110	5200	5200	5200	5200	5200	5200	5200	5200	4100	5000		
120											120	4200	4200	4200	4200	4200	4200	4200	4200	3100	4200		
Load Radius (ft)	120' Boom										Load Radius (ft)	150' Boom											
	20' Jib		30' Jib		40' Jib		50' Jib		60' Jib			20' Jib		30' Jib		40' Jib		50' Jib		60' Jib			
	Offset Angle		Offset Angle		Offset Angle		Offset Angle		Offset Angle			Offset Angle		Offset Angle		Offset Angle		Offset Angle		Offset Angle			
	10°	30°	10°	30°	10°	30°	10°	30°	10°	30°		10°	30°	10°	30°	10°	30°	10°	30°	10°	30°		
30	14300										30												
32	14300										32												
34	14300		14300								34												
36	14300		14300								36												
38	14300		14300								38												
40	14300	14300	14300			13200			11500		40	14300		14300									
45	14300	14300	14300			13200			11500		45	14300		14300									
50	14300	14300	14300	13200	13200				11500		50	14300	14300	14300		13200		11500					
55	14300	14300	14300	13200	13200				11500		55	14300	14300	14300	13200	13200		11500			9300		
60	14300	14300	14300	13200	13200	9500	11500	8200	9500	6600	60	14100	14100	14100	13200	13200	9500	11500	8200	9000	5500		
65	13600	13600	13600	13200	13200	9500	11500	8200	9500	6600	65	12900	12900	12900	12900	12900	9500	11500	8200	8600	5500		
70	12300	12300	12300	12300	12300	9500	11500	8200	9500	6600	70	11600	11600	11600	11600	11600	9500	11100	8200	8300	5500		
75	10900	10900	10900	10900	10900	9500	11500	8200	9300	6600	75	10300	10300	10300	10300	10300	9500	10300	8200	7800	5400		
80	9900	9900	9900	9900	9900	9500	11500	8200	8600	6600	80	9200	9200	9200	9200	9200	9200	9200	8200	8100	5200		
85	9100	9100	9100	9100	9100	9100	9100	8200	7800	6600	85	8200	8200	8200	8200	8200	8200	8200	8200	7100	5100		
90	8200	8200	8200	8200	8200	8200	8200	8200	7100	6600	90	7300	7300	7300	7300	7300	7300	7300	7300	6400	5100		
95	7500	7500	7500	7500	7500	7500	7500	7500	6400	6600	95	6500	6600	6600	6600	6600	6600	6600	6600	5800	5000		
100	6900	6900	6900	6900	6900	6900	6900	6900	5800	6500	100	5900	6000	6000	6000	6000	6000	6000	6000	5100	4800		
110											110	5000	5000	5000	5000	5000	5000	5000	5000	3900	4700		
120											120	4000	4000	4000	4000	4000	4000	4000	4000	2900	4000		

Ratings inside the shaded area are governed by the strength of the boom or other structural components.

CK800 Aux. Sheave Lifting Capacity

No. of Counterweight : 2
 Position of Crawler : Fully Extended

LIFT CRANE SERVICE

Refer to notes page 6.

Load Radius (ft)	40' Boom	50' Boom	60' Boom	70' Boom	80' Boom	90' Boom	100' Boom
	360° Rated Load (lbs)	360° Rated Load (lbs)	360° Rated Load (lbs)	360° Rated Load (lbs)	360° Rated Load (lbs)	360° Rated Load (lbs)	360° Rated Load (lbs)
11.5	14300						
13.0	14300						
14.0	14300						
15.0	14300	14300					
16.0	14300	14300	14300				
17.0	14300	14300	14300	14300			
18.0	14300	14300	14300	14300	14300		
19.0	14300	14300	14300	14300	14300		
20.0	14300	14300	14300	14300	14300	14300	
21.0	14300	14300	14300	14300	14300	14300	
22.0	14300	14300	14300	14300	14300	14300	14300
23.0	14300	14300	14300	14300	14300	14300	14300
24.0	14300	14300	14300	14300	14300	14300	14300
25.0	14300	14300	14300	14300	14300	14300	14300
26.0	14300	14300	14300	14300	14300	14300	14300
27.0	14300	14300	14300	14300	14300	14300	14300
28.0	14300	14300	14300	14300	14300	14300	14300
29.0	14300	14300	14300	14300	14300	14300	14300
30.0	14300	14300	14300	14300	14300	14300	14300
32.0	14300	14300	14300	14300	14300	14300	14300
34.0	14300	14300	14300	14300	14300	14300	14300
36.0	14300	14300	14300	14300	14300	14300	14300
38.0	14300	14300	14300	14300	14300	14300	14300
40.0	14300	14300	14300	14300	14300	14300	14300
45.0		14300	14300	14300	14300	14300	14300
50.0		14300	14300	14300	14300	14300	14300
55.0			14300	14300	14300	14300	14300
60.0			14300	14300	14300	14300	14300
65.0				14300	14300	14300	14300
70.0					12000	11700	11400
75.0					10900	10500	10200
80.0						9600	9200
85.0						8700	8300
90.0							7600
95.0							6900

Load Radius (ft)	110' Boom	120' Boom	130' Boom	140' Boom	150' Boom	160' Boom	170' Boom
	360° Rated Load (lbs)	360° Rated Load (lbs)	360° Rated Load (lbs)	360° Rated Load (lbs)	360° Rated Load (lbs)	360° Rated Load (lbs)	360° Rated Load (lbs)
24.0	14300						
25.0	14300						
26.0	14300	14300					
27.0	14300	14300	14300				
28.0	14300	14300	14300				
29.0	14300	14300	14300	14300			
30.0	14300	14300	14300	14300			
32.0	14300	14300	14300	14300	14300		
34.0	14300	14300	14300	14300	14300	14300	14300
36.0	14300	14300	14300	14300	14300	14300	14300
38.0	14300	14300	14300	14300	14300	14300	14300
40.0	14300	14300	14300	14300	14300	14300	14300
45.0	14300	14300	14300	14300	14300	14300	14300
50.0	14300	14300	14300	14300	14300	14300	14300
55.0	14300	14300	14300	14300	14300	14300	14300
60.0	14300	14100	13800	13500	13400	13100	12900
65.0	12700	12500	12200	11900	11800	11400	11200
70.0	11300	11100	10800	10500	10400	10000	9800
75.0	10100	9900	9600	9300	9200	8800	8600
80.0	9100	8900	8600	8300	8200	7800	7600
85.0	8300	8000	7700	7400	7300	6900	6700
90.0	7500	7200	7000	6600	6500	6200	5900
95.0	6800	6600	6300	5900	5800	5500	5200
100.0	6200	6000	5700	5300	5200	4800	4600
110.0		5000	4700	4300	4200	3800	3600
120.0			3900	3500	3300	3000	2700
130.0				2800	2600	2300	2000
140.0					2100	1700	1400
150.0						1200	900
160.0							500

Clamshell



Boom

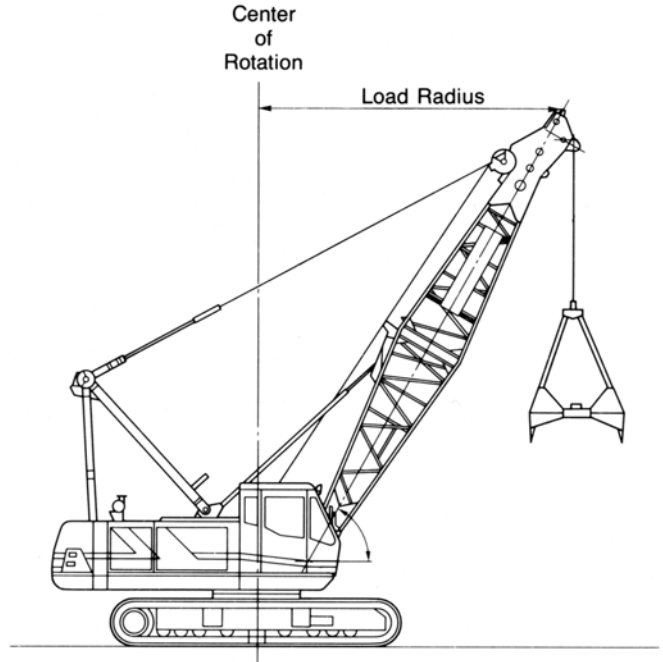
Welded lattice construction using tubular, high tensile steel chords with pin connections between sections.

Basic boom length..... 30 ft (9.14 m)
 Max. boom length..... 60 ft (18.29 m)
 Open throat with offset boom point sheaves on antifriction bearing, bottom diameter..... 1'4" (0.4 m)
 Limit on clamshell bucket weight . 4,600 lb (2,100 kg)
 Optional tagline: Hydraulic operated type and spring type.

Boom Component Chart

Boom length	ft (m)	Boom arrangement
50	(15.24)	Base-A-Tip
60	(18.29)	Base-B-Tip
60	(18.29)	Base-A-B-Tip

Base=20 ft (6.10 m) Tip=20 ft (6.10 m)
 Inserts: A=10ft (3.05 m), B=20ft (6.10 m)



Rated Load

1. No. of Counterweight: 1
2. Position of Crawlers: Extended

Boom Length (ft)	Load Radius (ft)	Boom Angle (°)	Rated Load (lb)	Boom Length (ft)	Load Radius (ft)	Boom Angle (°)	Rated Load (lb)
40	22.0	63.8	16000	50	30.0	59.0	16000
	23.0	62.1	16000		32.0	56.3	16000
	24.0	60.5	16000		34.0	53.5	16000
	25.0	58.86	16000		36.0	50.5	16000
	26.0	57.1	16000		38.0	47.5	16000
	27.0	55.3	16000		40.0	44.2	16000
	28.0	53.6	16000	45.0	35.0	15840	
	29.0	51.7	16000	60	30.0	64.7	16000
	30.0	49.8	16000		32.0	62.5	16000
	32.0	45.9	16000		34.0	60.3	16000
	34.0	41.7	16000		36.0	58.1	16000
	36.0	37.1	16000		38.0	55.8	16000
			40.0		53.4	16000	
50	26.0	64.3	16000	45.0	47.1	15480	
	27.0	63.0	16000	50.0	40.1	13410	
	28.0	61.7	16000				
	29.0	60.4	16000				

Notes

1. Figures represent maximum allowable capacity, and assume level, firm ground and ideal working conditions.
2. Capacities are calculated at 67.5% of the minimum tipping loads.
3. Capacities are the maximum recommended by PCSA Standard #4. Allowances must be made by the user for such unfavorable conditions as a soft or uneven supporting surface, rapid cycle operations, or bucket suction.
4. The combined weight of the bucket and load must not exceed these capacities.
5. Boom length for clamshell operation should not exceed 60' (18.29 m).
6. Consult your authorized distributor for rated loads during rapid cycle operations.

Dragline



Boom

Welded lattice construction using tubular, high tensile steel chords with pin connections between sections.

Basic boom length..... 30 ft (9.14 m)

Max. boom length..... 60 ft (18.29 m)

Open throat with offset boom point sheaves on antifriction bearing, bottom diameter..... 1'4" (0.4 m)

Limit on clamshell bucket weight . 4,600 lb (2,100 kg)

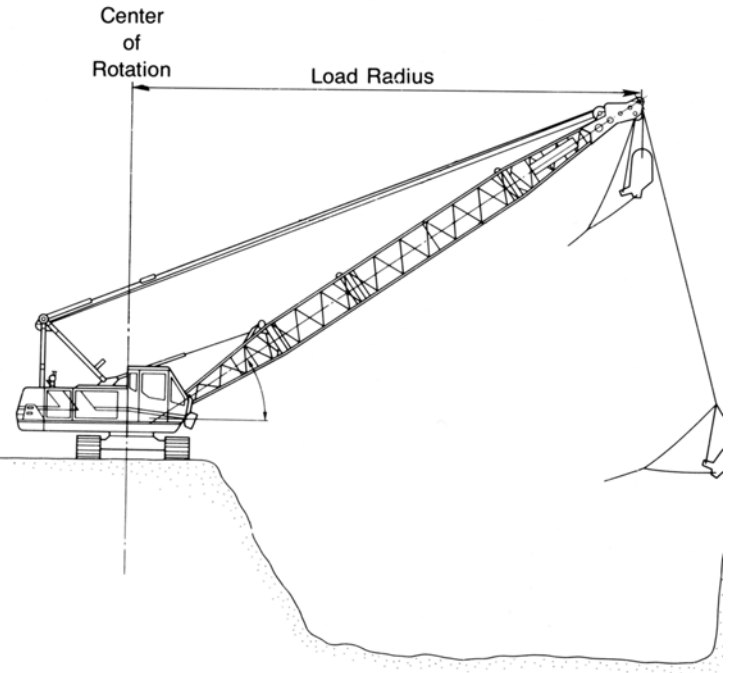
Optional tagline: Hydraulic operated type and spring type.

Boom Component Chart

Boom length	ft (m)	Boom arrangement
50	(15.24)	Base-A-Tip
60	(18.29)	Base-B-Tip
60	(18.29)	Base-A-B-Tip

Base=20 ft (6.10 m) Tip=20 ft (6.10 m)

Inserts: A=10 ft (3.05 m), B=20 ft (6.10 m)



Rated Load

1. No. of Counterweight: 1
2. Position of Crawler: Extended

Boom Length (ft)	Load Radius (ft)	Boom Angle (°)	Rated Load (lb)	Boom Length (ft)	Load Radius (ft)	Boom Angle (°)	Rated Load (lb)	
40	30.0	49.8	16000	60	45.0	47.1	16000	
	32.0	45.9	16000		50.0	40.1	14900	
	34.0	41.7	16000		55.0	31.8	13100	
	36.0	37.1	16000					
	38.0	31.8	16000					
50	38.0	47.5	16000					
	40.0	44.2	16000					
	45.0	35.0	16000					

Notes

1. Figures represent maximum allowable capacity, and assume level, firm ground and ideal working conditions.
2. Capacities are calculated at 75.0% of the minimum tipping loads.
3. Capacities are the maximum recommended by PCSA Standard #4. Allowances must be made by the user for such unfavorable conditions as a soft or uneven supporting surface, rapid cycle operations, or bucket suction.
4. The combined weight of the bucket and load must not exceed these capacities.
5. Do not operate the dragline using boom angles of less than 30 degree.
6. Boom length for dragline operation should not exceed 60' (18.29 m).
7. Consult your authorized distributor for rated loads during rapid cycle operations.

Features/**CK800**

Overall Features

- Max. boom length to 180'
- Max. jib length to 60'
- Max. boom & jib combination to 210'
- Totally independent hydraulic operation system
- Both power lowering and free-fall modes
- Hydraulic pilot control
- Max. spooling capacity to 911' (7/8" wire rope)
- Ultra slow-speed changeover mode selection system
- Crane mode and bucket mode selection system

Upper Machinery

- 20.5" wide uniform tandem load hoist drums
- Powerful brake drum with heat-radiating fins ensures safe, jerk-free performance during continuous operation.
- Independent swing pump provides powerful and fast swing during simultaneous attachment operation.
- Well-balanced, quick swing response ensured by a direct, spool-controlled swing circuit.
- Optional counterweight removal device makes disassembly possible without using external equipment.
- Tough frame construction delivers durable, reliable performance.
- Fast hook and boom hoisting speeds ensure reduced cycle times on construction projects.

Lower Machinery

- Low center of gravity keeps the machine stable when lifting over the side.
- Smooth, powerful crawler extension and retraction mechanism features self-locking pins.
- Straight-propel travel system keeps the machine on track during simultaneous attachment or swing operation.

- Travel motors are mounted within the shoe width to protect them from shocks and debris.
- Strong traction force provides a maximum gradeability of 40%.
- Retractable carbody wings
- Independent travel system enables differential steering, skid steering, and counter rotation.

Cab and Controls

- Electric throttle on the swing lever provides light, accurate engine control.
- Excellent upward visibility provided by a large front window and a pop-up ceiling window.
- Vinyl-leather, tilt-adjustable seat helps the operator maintain a comfortable and relaxed posture.

Maintenance and Safety

- Electronic monitor continuously checks 12 machine functions and alerts the operator of potential problems.
- Swing flashers and buzzer alert onsite workers when the swing circuit is engaged.
- Function lever lock helps prevent accidental operation when the operator enters or leaves the cab.
- Free-fall interlock eliminates accidental activation of free-fall.
- Anti-two-block device
- Boom overhoist shut-off system
- Slip-proof steps and center guards provided as standard equipment on the lower frame.
- Large toolbox, and hydraulic check port provided as standard equipment.
- Double-tapered lower boom pins help ensure safe boom disassembly.

NOTE: Due to our policy of continual product improvement, all designs and specifications are subject to change without advance notice.



CONSTRUCTION MACHINERY DIVISION
27-8, Jingumae 6-chome, Shibuya-ku, TOKYO, 150 Japan
Tel: (03) 3797-7021/Fax: (03) 3797-7072



10515 Harwin Drive, Suite 139A, Houston, Texas 77036, U.S.A.
Tel: (713) 981-4050/Fax: (713) 981-0150