



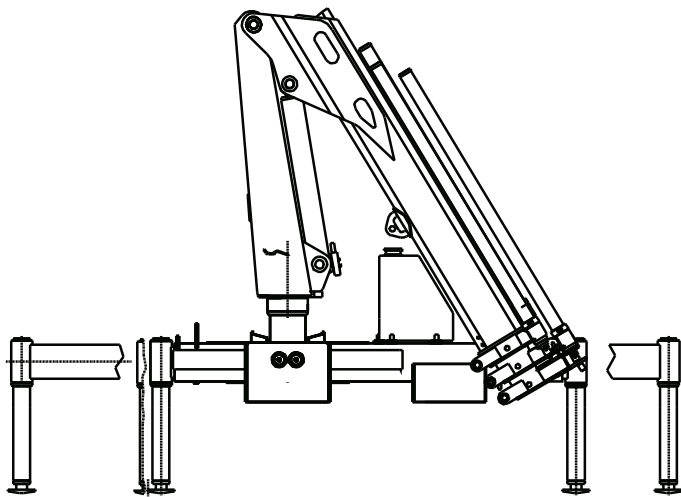
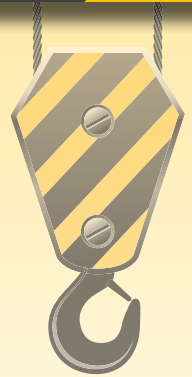
# BIGMAX<sup>®</sup>

by TECHNOCRANE

## BIGMAX Cranes

### TO Series

Telescopic Cranes with Built-In Outrigger Stabilizers



#### Choice

- Four models 27,400 to 74,300 ft lbs (3.8 to 10.3 t/m)
- Built-in hydraulic outrigger stabilizers
- Designed for frame mounting to minimize loss of deck space
- Standard dual proportional side controls
- Up to 4 hydraulic extensions to 31 feet

#### Strength

- Strong, light weight hexagonal boom construction
- Fabricated from high tensile steel
- Rugged steel base with reliable rack and pinion slewing system
- Two year comprehensive parts and labour warranty
- Winches and other options available

#### Safety

- Counterbalance safety valve mounted directly to main lift cylinder
- Active and passive overload and hose failure protection
- Easy to operate single articulation design
- Control levers on both sides of crane for maximum visibility
- Complies with ANSI B 30.5, DIN 15018 and EN12999 Standard

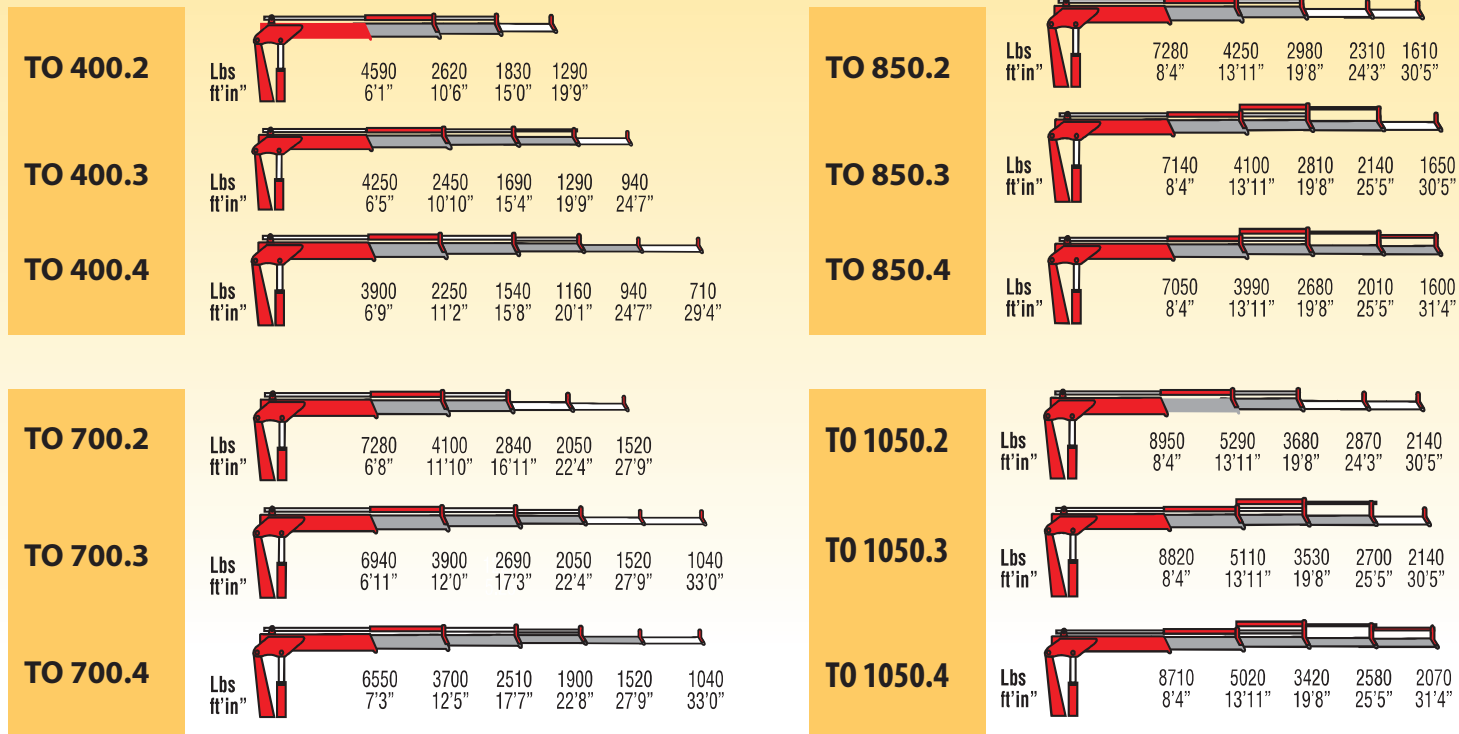


[www.bigmaxcranes.com](http://www.bigmaxcranes.com)

**BIGMAX by Technocrane**

Toll free: 877-531-8644 | [info@bigmaxcranes.com](mailto:info@bigmaxcranes.com)

## TO Series Reach and Load Chart



## TO SERIES SPECIFICATIONS

MODEL	Maximum Lift	Maximum Reach	Base Crane Weight (Lbs.)	Dimensions (inches)		
				Height	Width	Depth
TO 400	4,590 lbs @ 6'1"	29'4"	1,520	74	82	19
TO 700	7,280 lbs @ 6'8"	33'0"	1,940	79	91	22
TO 850	7,280 lbs @ 8'4"	31'4"	2,260	91	93	24
TO 1050	8,950 lbs @ 8'4"	31'4"	2,580	91	93	24

## CRANE OPTIONS

**1. Winch:** a winch can be installed on most TO models to increase vertical lift capability.

**2. Radio/Wireless Controls:** hand held or wired controls are available for enhanced safety and convenience.

**3. Accessories:** rotators, grabs and augers are available for most TO models.



Contact us for a price quote today!

Fast delivery as most models delivered from stock!

**BIGMAX CRANES**  
by Technocrane

4165 Packalen Blvd.  
Garden Bay, BC  
Canada V0N 1S1

Office: 604-575-2103  
Toll free: 877-531-8644  
Fax: 604-648-9852  
info@bigmaxcranes.com



[www.bigmaxcranes.com](http://www.bigmaxcranes.com)