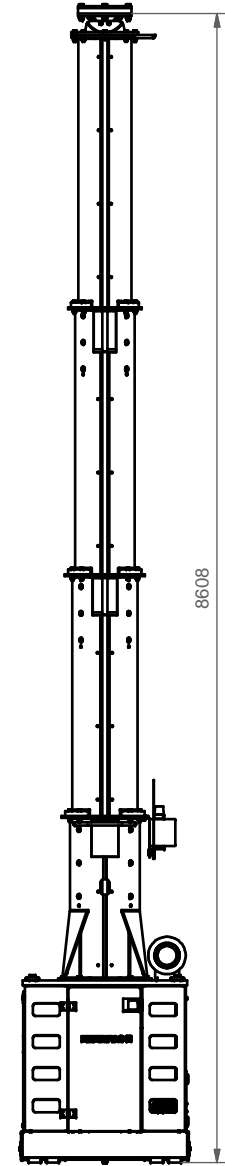
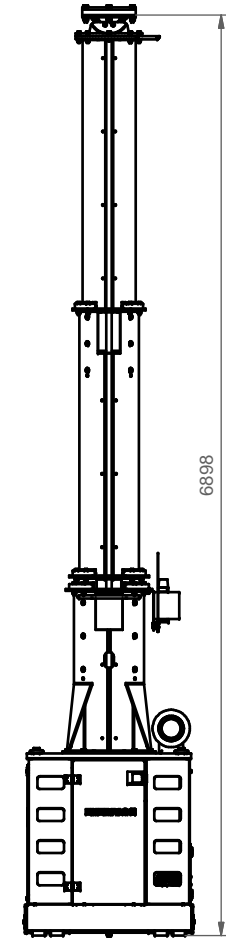
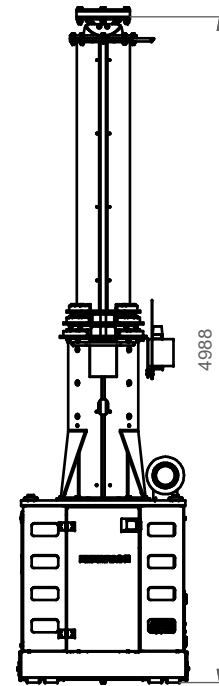
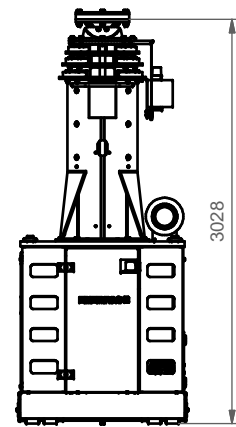
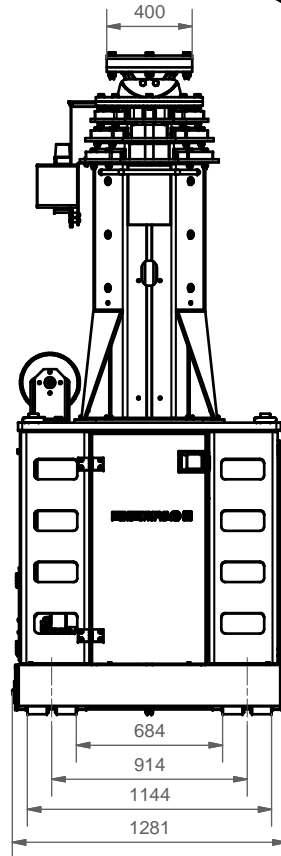
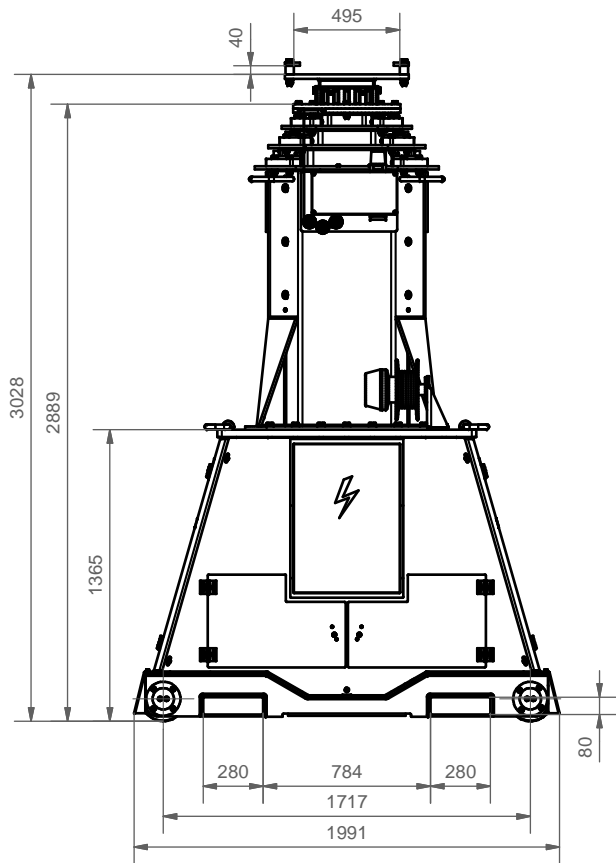
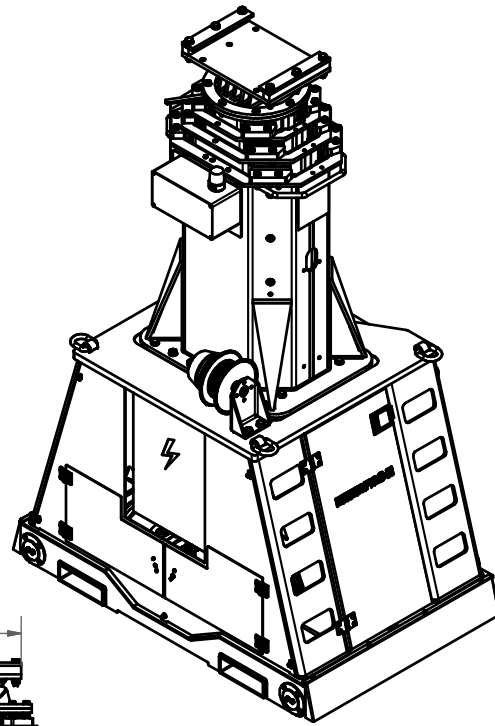


Features SBL500

Safe Work Load Stage 1:	1300 kN	(292 kips)
Safe Work Load Stage 2:	1300 kN	(292 kips)
Safe Work Load Stage 3:	750 kN	(168 kips)
Self Weight (incl. oil):	6300 kg	(13889 lbs)



OPAAI STRAAT 44, 7554 TS HENGLO HOLLAND
 PO BOX 421, 7550 AK HENGLO HOLLAND
 TELEPHONE 074-2422045 FACSIMILE 074-2430338

ENERPAC
 COPYRIGHTS RESERVED

3rd ANGLE
 PROJECTION

Model Number: **SBL500**
 Drawing Number: **03451.50.00.00**

Main Assembly Number: **03451.01.00.00**
 REV: **0** DATE: **10/31/2013** SCALE: **1:25** FORM: **A3**