

Valla



25 E



Electric battery operated Mobile Crane Max. Capacity **Lbs. 5,500**



Valla	
OUTREACH (Ft)	CAPACITY (Lbs.)
3	3,800
4,5	2,600
8	1,100

TECHNICAL DATA

CRANE FRAME: Three-wheelers frame fabricated from preformed and welded steel plate with built-in counterweight and, for maintenance purposes, removable counterweight .

TRACTION: by AC 3kw 48V reversible electric motor, controlled by inverter, electro magnetic control on disk brake.

BATTERY: 48V 200Ah battery, battery meter on dashboard.

DRIVE: by 180° steering rudder. Steering 700W 48V electric motor electronically controlled. Complete with safety device on backward.

WHEELS: Nr. 1 rear cushion 305x135 e Nr. 2 front 18x7-R8 superelastic.

BOOM: three elements boom (1 fixed and 2 hydraulically telescoping section) with sequential hydraulic telescope by double internal cylinder fitted with nylon wear pads. Adjustable wear pads on the sides.

BOOM CONTROL: by electronic proportional joystick distributor. 4 kW 48V motor pump.

LMI: Electronic Load Moment Indicator. Display showing lifted load, max allowed load, tilting percentage, operating radius, angle, telescope and light indicators on the operative mode.

TOTAL WEIGHT: approx. Lbs. 5,000 **MAX. CAPACITY:** Lbs. 5,500

Options on request: hydraulic winch; special oversized hydraulic winch; chain hoists; carry-deck; battery charger (on board and stand-alone); manual and hydraulic jibs; radio remote control; low temperatures kit; man bucket and relevant certification as aerial platform, non marking tires.



Data subject to be changed without any previous notice. Pictures may differ from technical description.



25 E



VALLA mobile crane mod. 25 E complies with the following standards:
 -2006/42/CE
 -UNIEN13000
 -I.S.P.E.S.L.

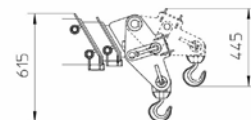
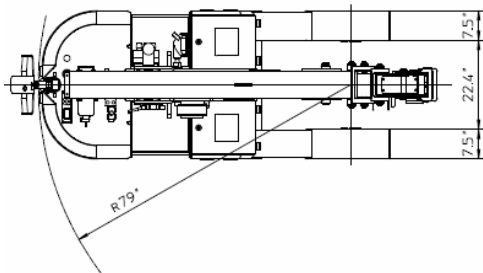
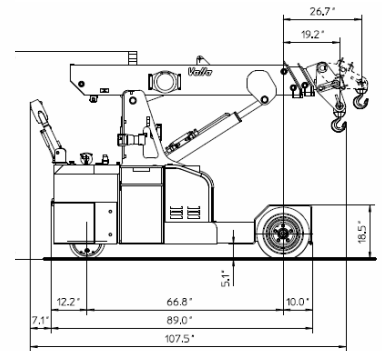
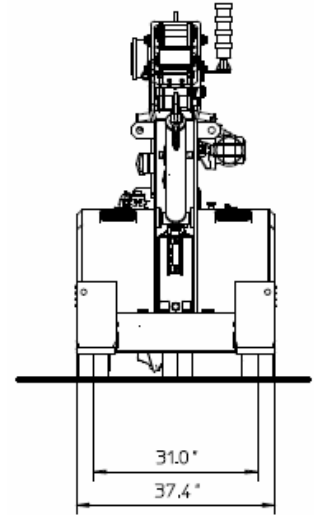
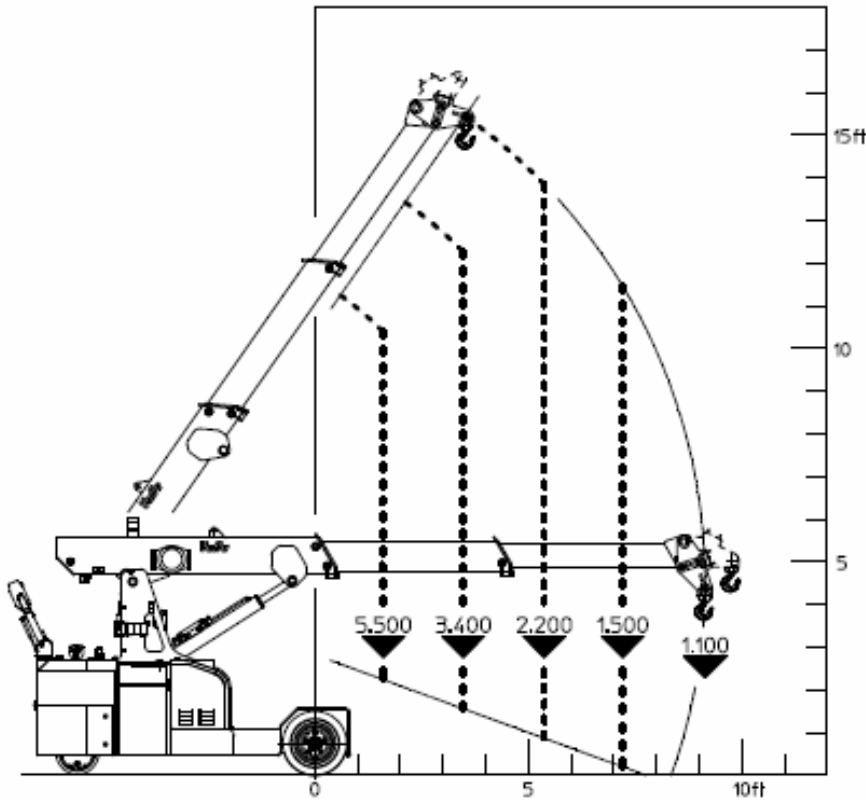
VALLA

25E

CAPACITY DIAGRAM

(lb)

DIAGR. N° 25E-001 A



Valla a division of CVS Ferrari Srl
 Via Piacenza, 45 - 29010 Calendasco (Piacenza) - ITALIA
 Tel. +39 0523 762025 / 752004 - Fax +39 0523 760531
 e-mail: info@valla.com - www.valla.com

Data subject to be changed without any previous notice. Pictures may differ from technical description.

Lbs./ft