

500 TON

Hydraulic All-Terrain Crane



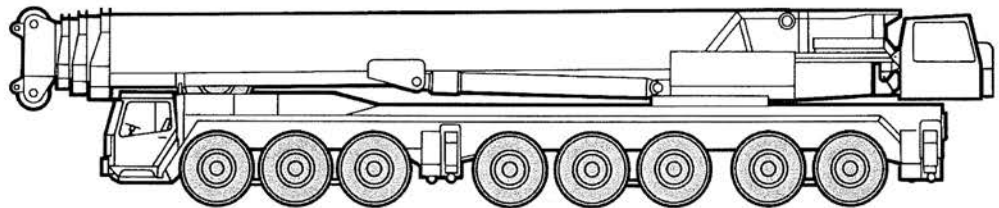
52' to 164' Main Boom
39' to 200' Fixed Jib
69' to 276' Luffing Jib

Notes:



LTM 1400

Mobile Crane
Grue automotrice

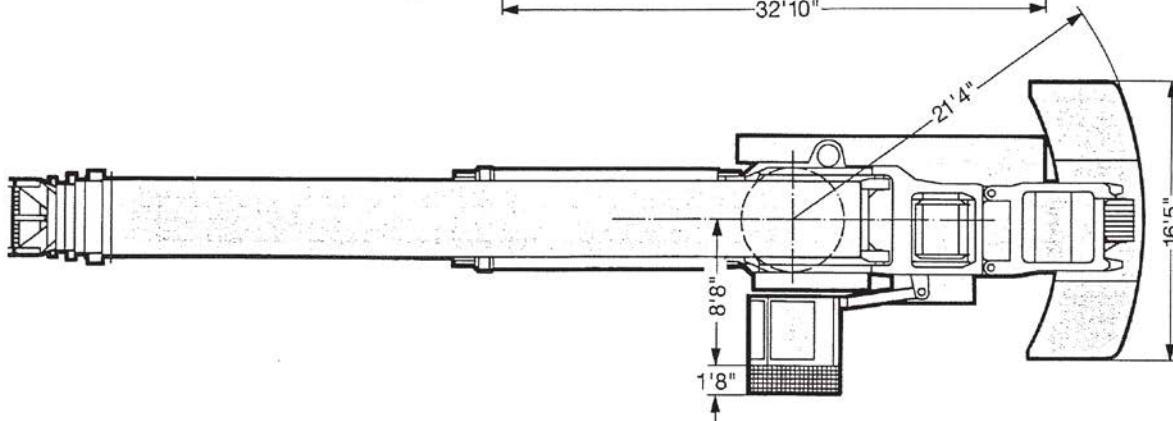
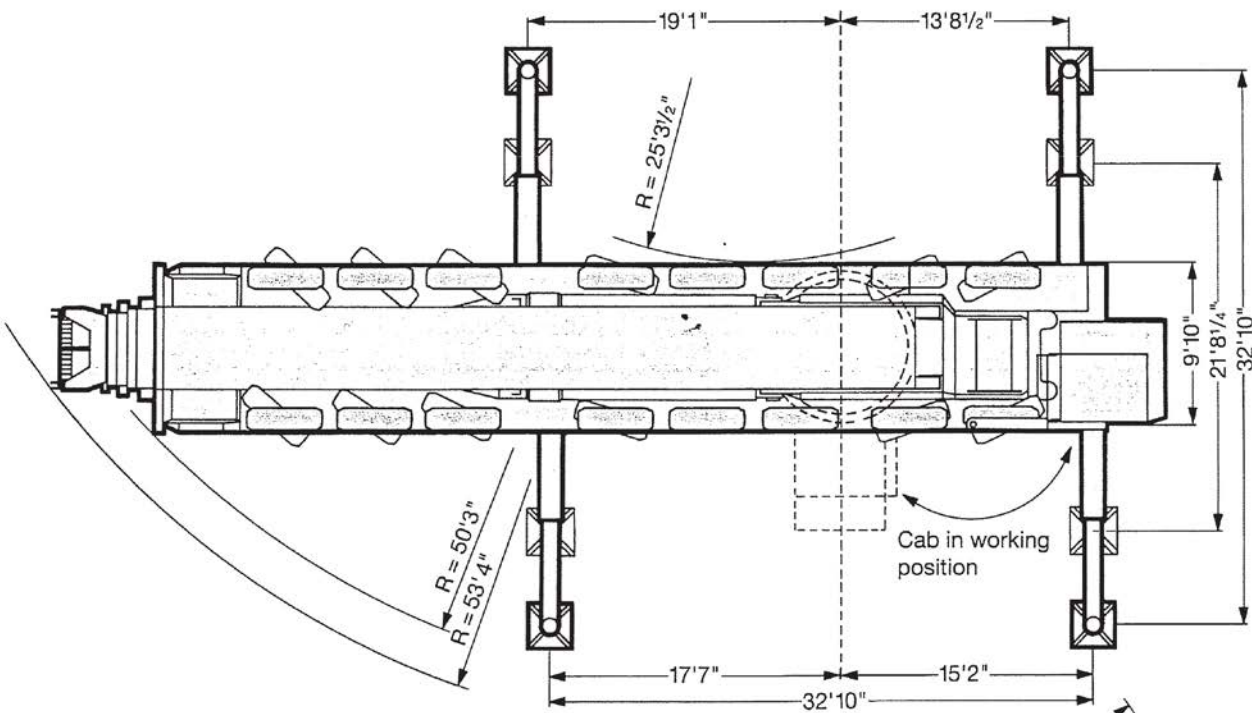
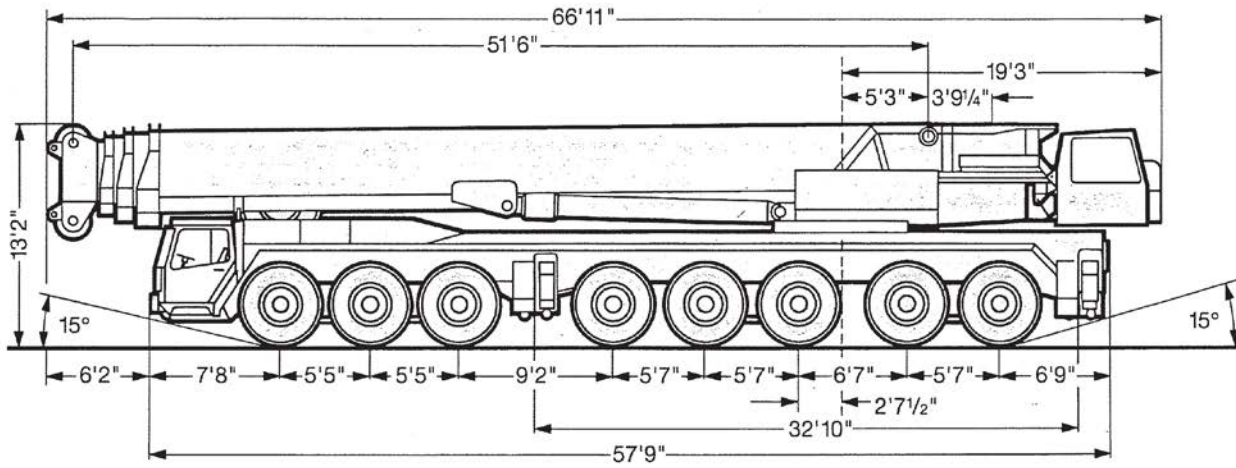


LIEBHERR



Dimensions

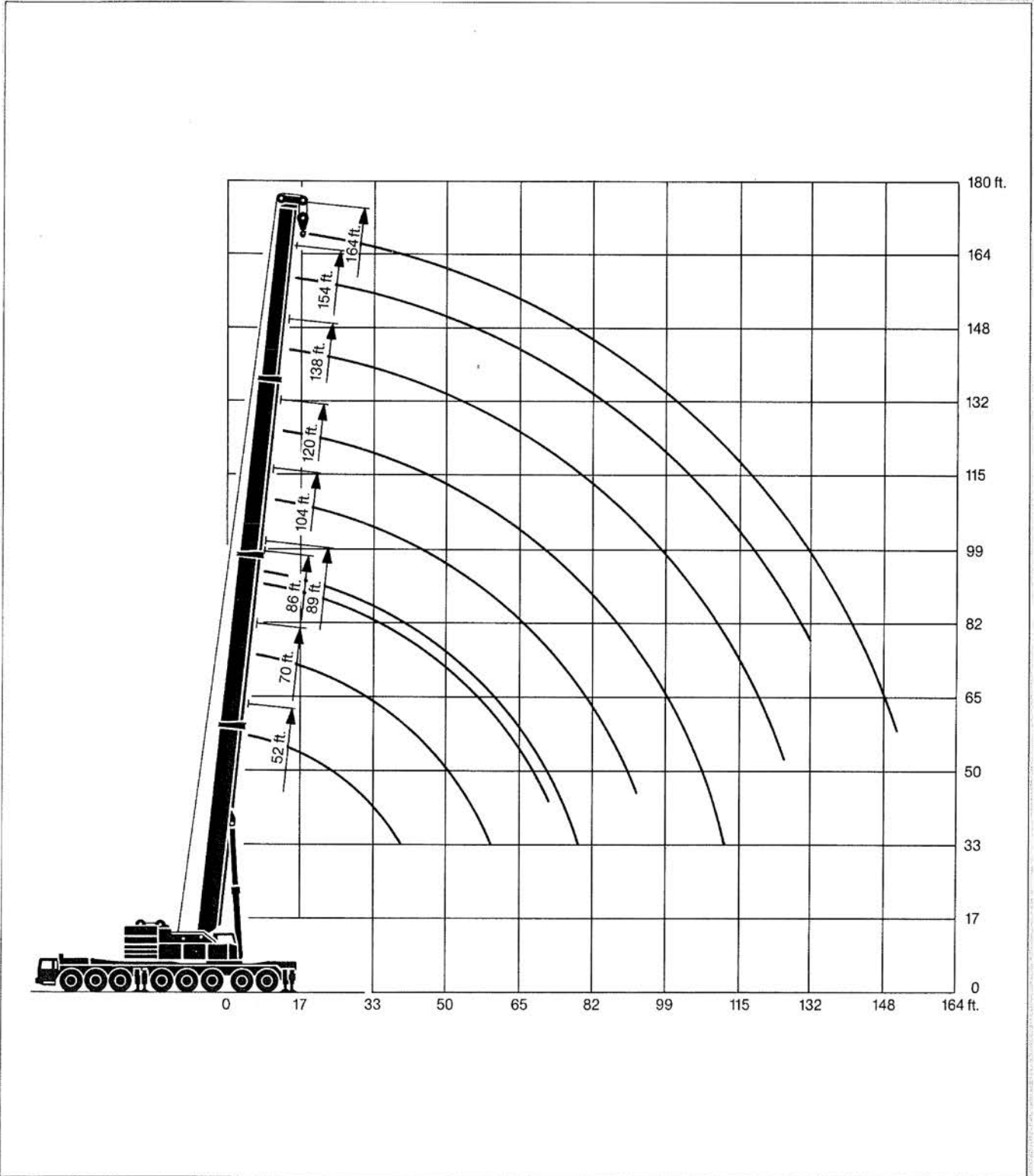
LTM 1400



Lifting heights. Hauteurs de levage.

LTM 1400

Telescopic boom.
Flèche télescopique.



Lifting capacities at telescopic boom. Forces de levage à la flèche télescopique.

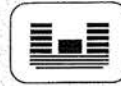
LTM1400



52 ft – 164 ft



360°



209000 lbs

85%

ft	52 ft		70 ft	86 ft	89 ft	104 ft	120 ft		138 ft	154 ft	164 ft	ft
	1)											
10	956	839										10
11	867	780										11
12	794	729										12
13	735	685										13
14	695	643										14
15	657	604	590									15
16	621	577	565									16
17	592	552	542		381							17
18	568	528	519		369							18
19	545	508	499		358							19
20	523	488	480	434	348	371						20
22	484	453	445	408	329	350						22
24	449	422	413	384	312	330	290	239	252	219		24
26	418	394	385	362	297	311	275	228	242	210		26
28	392	369	361	343	284	295	262	219	232	202	189	28
30	368	346	339	324	271	279	249	209	223	195	184	30
32	346	326	319	305	258	266	238	200	215	188	177	32
34	326	307	300	289	248	253	228	192	207	182	171	34
36	307	291	283	275	239	242	218	184	200	176	165	36
38	288	274	266	261	229	231	208	177	192	170	158	38
40			250	248	220	220	198	170	185	164	153	40
45			221	219	200	198	178	155	167	150	141	45
50			196	192	184	180	162	143	151	138	128	50
55			171	168	170	164	148	132	137	127	117	55
60				146	159	149	137	122	126	118	108	60
65				128	147	134	127	113	118	110	100	65
70				115	134	121	117	106	109	103	92.5	70
75					120	108	106	98.5	101	95.5	86	75
80						96.5	96	92.5	95.5	89	80.5	80
85						86.5	87.5	87.5	88.5	84	75.5	85
90						78	79	82.5	82	79	71	90
95							72	78	75	74.5	67	95
100							65.5	74	69	70	63	100
105							59.7	71.5	64	64.5	59.3	105
110							54.9	67	58.7	60	56.1	110
115									54.1	55.6	53	115
120									50	51.5	50.2	120
125										47.6	47.6	125
130										44.3	44.4	130
135										41.3	41.4	135
140											38.5	140
145											35.9	145
150											33.5	150
ft	I	0	50	92	0	92	92	0	92	92	100	I
	II	0	0	0	50	50	92	92	92	92	100	II
	% III	0	0	0	50	0	0	92	50	92	100	III %

1) over rear / en arrière

TAB 78033



Lifting capacities at guyed telescopic boom. Forces de levage à la flèche télescopique haubanée.

LTM 1400



86 ft - 164 ft



360°



276000 lbs

85%

ft	86 ft	89 ft	104 ft	120 ft		138 ft	154 ft	164 ft	ft	
20	464	353	386						20	
22	446	353	376						22	
24	423	349	366	296	218	252	212		24	
26	398	341	356	292	216	249	210		26	
28	378	332	344	285	215	246	206	186	28	
30	359	323	332	278	213	242	202	184	30	
32	339	310	317	270	211	239	200	180	32	
34	321	298	303	261	207	234	196	177	34	
36	305	288	289	252	204	226	192	174	36	
38	289	278	276	242	201	219	188	172	38	
40	274	268	264	234	197	212	184	169	40	
45	244	245	238	215	189	195	172	160	45	
50	218	225	217	199	176	181	160	151	50	
55	195	207	197	184	164	168	149	142	55	
60	175	189	178	169	153	157	140	135	60	
65	159	172	161	156	144	145	131	125	65	
70	143	158	147	146	134	134	123	118	70	
75		140	134	134	125	125	116	111	75	
80			123	124	117	117	111	104	80	
85			113	115	111	111	103	97.5	85	
90			100	105	105	98.5	98	91.5	90	
95				96.5	100	92.5	92.5	86	95	
100				89	95.5	86	88	81.5	100	
105				81.5	91.5	80	84	77	105	
110				63.5	75.5	75	78.5	73	110	
115						69	75	69.5	115	
120							71	66	120	
125							67	63.5	125	
130							63	60.5	130	
135							59.2	58.1	135	
140								55.4	140	
145								51.9	145	
150								43.8	150	
ft	I	92	0	92	92	0	92	92	100	I
	II	0	50	50	92	92	92	92	100	II
	% III	0	50	0	0	92	50	50	100	III

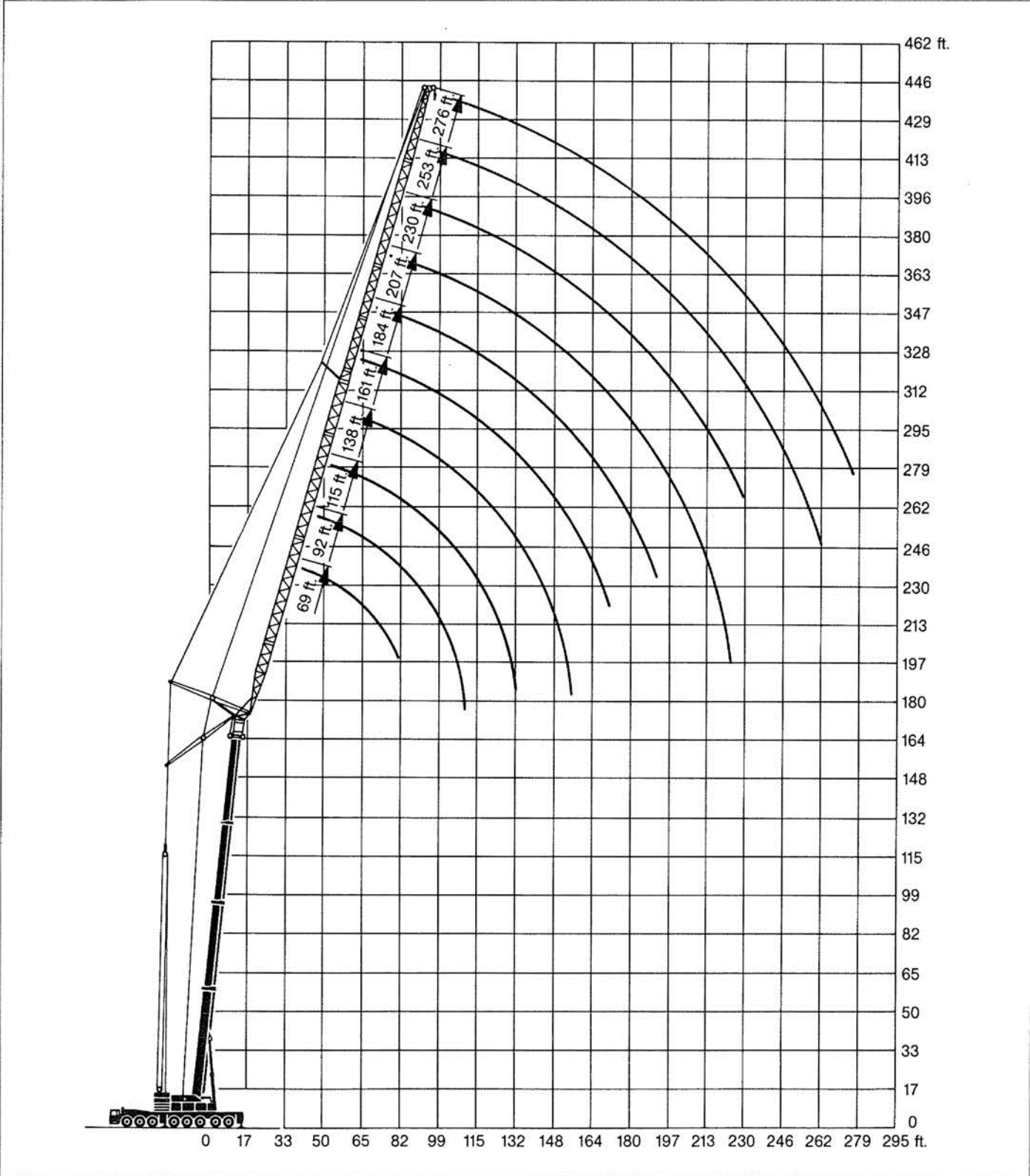
TAB 78051



Lifting heights. Hauteurs de levage.

LTM 1400

Luffing lattice jib.
Flèche treillis relevable.

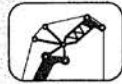


Lifting capacities at the luffing lattice jib. Forces de levage à la fléchette treillis relevable.

LTM 1400



84°
52 ft / 86 ft



69 ft - 276 ft



360°



209000 lbs



85%

ft	52 ft										86 ft										ft		
	69 ft	92 ft	115 ft	138 ft	161 ft	184 ft	207 ft	230 ft	253 ft	276 ft	69 ft	92 ft	115 ft	138 ft	161 ft	184 ft	207 ft	230 ft	253 ft	276 ft			
34	239																					34	
36	232																						36
38	226																						38
40	221	202																					40
45	209	195																					45
50	202	187	152																				50
55	195	180	148	121																			55
60	186	172	145	117	93.5																		60
65	166	160	142	115	92.5																		65
70	147	150	137	113	91	77.5																	70
75		140	131	111	90	76.5	62.5																75
80		130	123	108	89	76	61.5	48.5															80
85		122	113	106	87	75	61.5	48.5															85
90		113	108	103	83	75	61	48.5	38.1														90
95			102	97	80	74.5	60	48	37.6	28.7													95
100			95	91	77	73	59.5	47.4	37.1	28.1													100
105			88	86	74	69.5	59.5	47.4	36.6	27.8													105
110			83	81	71	67	57.8	47.4	36.1	27.4													110
115				77	68	64.5	57.3	46.8	35.6	27.1													115
120				73	65	62	56.4	46.3	35.1	26.8													120
125				68	62.5	60.5	53.9	46.3	34.6	26.4													125
130				65	59.3	57.1	52.2	46.3	34.1	26.1													130
135					56.5	54.6	50.5	45.7	33.5	25.8													135
140					54	52.5	48.9	44.8	32.9	25.6													140
150					49	47.9	45.5	42.7	31.7	25													150
160						43.5	42.4	40.4	30.6	24.3													160
170						40.9	39.8	38.7	29.6	23.6													170
180							38.1	37	28.4	23													180
190								35.9	34.8	27.4	22.3												190
200									32.5	26.4	21.6												200
210									30.9	25.4	20.7												210
220									29.2	24.5	20.1												220
230										23.4	19.3												230
240											18.5												240
250												17.8											250
260													17.1										260

Lengths of telescopic boom including 10 ft luffing lattice jib adapter.
Longueurs de la flèche télescopique avec 10 ft raccord pour fléchette relevable.

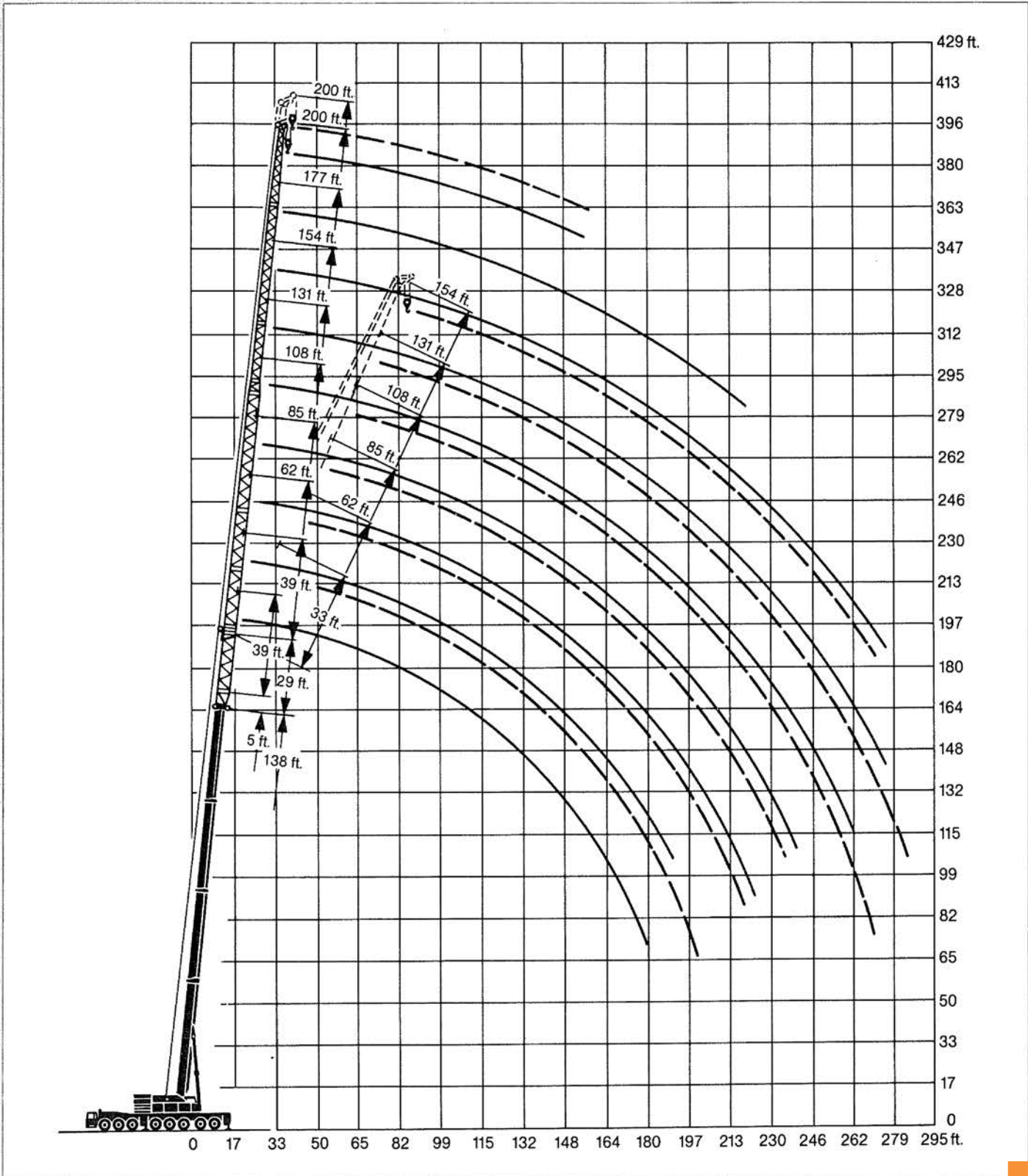
TAB 78118.1



Lifting heights. Hauteurs de levage.

LTM 1400

Lattice fly jib.
Flèche treillis fixe.



Lifting capacities at the lattice fly jib. Forces de levage à la fléchette treillis fixe.

LTM 1400



138 ft* - 164 ft**



0°

39 ft - 200 ft



360°



209000lbs

85%

ft	138 ft*	154 ft*	154 ft**								164 ft**	ft
	39 ft	39 ft	39 ft	62 ft	85 ft	108 ft	131 ft	154 ft	177 ft	200 ft	200 ft	
34	109	101										34
36	106	99.5										36
38	103	98										38
40	101	96.5	87.5									40
45	96.5	93	83.5									45
50	92	89	79.5	63.5								50
55	87	85.5	75.5	60.5	47.4							55
60	83	82	72	58	45.3	35.8	28.9					60
65	79	77.5	68	55.4	43.4	34.2	27.5					65
70	75.5	74	64.5	52.9	41.6	32.6	26.5	21.4				70
75	72.5	71.5	61.5	50.5	39.9	31.1	25.3	20.3	15.3	11		75
80	69.5	68.5	58.8	48.2	38.4	29.7	24	19.2	14.4	10.2	9.8	80
85	66.5	65.5	56	46.2	36.9	28.5	22.8	18.4	13.7	9.7	9.3	85
90	64	62.5	53.6	44.2	35.4	27.3	21.9	17.4	12.9	9.2	8.8	90
95	62	59.6	51.3	42.3	34	26.3	21	16.6	12.1	8.6	8.3	95
100	59.9	56.8	49.1	40.5	32.6	25.2	20.1	15.8	11.5	8.1	7.8	100
105	57.5	53.8	47	38.8	31.1	24	19.4	15	11	7.7	7.5	105
110	55	51.3	45.1	37.1	29.9	23	18.6	14.3	10.4	7.4	7.2	110
115	52.5	48.6	43.3	35.6	28.9	22.2	17.7	13.5	9.8	7	6.8	115
120	49.9	46.1	41.3	34.2	27.8	21.6	16.9	12.8	9.4	6.7	6.5	120
125	47.2	43.7	39.1	33	26.6	20.9	16.3	12.3	9	6.4	6.1	125
130	44.4	41.7	37.3	31.6	25.8	20.1	15.6	11.8	8.7	6	5.6	130
135	41.5	39.7	35.6	30.4	24.9	19.3	15.1	11.4	8.2	5.7	5.3	135
140	38.8	37.8	33.9	29.4	24.1	18.7	14.6	11	7.8	5.4	5	140
145	36.3	35.9	32.3	28.5	23.3	18.2	14	10.3	7.5	5.1	4.8	145
150	33.9	33.5	31.1	27.5	22.4	17.4	13.5	10	7.1	4.9	4.7	150
155	31.6	31.4	29.6	26.7	21.7	16.8	12.9	9.7	6.9	4.7	4.5	155
160	29.3	29.5	28.3	25.6	21	16.3	12.4	9.3	6.7			160
165	27.2	27.6	27	24.3	20.2	15.7	12.1	9	6.4			165
170	25.4	25.6	25.3	23.3	19.5	15.1	11.7	8.6	6.2			170
175		23.9	23.8	22.2	18.9	14.6	11.3	8.3	5.9			175
180		22.2	22.3	21.1	18.3	14	10.9	8	5.5			180
190			19.4	19.1	17.2	13	10.3	7.4	5.1			190
200				17.2	16.1	12.1	9.8	6.9	4.7			200
210				15	14.8	11.5	9.3	6.4	4.4			210
220				12.8	13.3	10.6	8.8	5.9	4.1			220
230					11.6	9.9	8.1	5.5	3.6			230
240					10	9.1	7.5	5.2				240
250						8.1	7	4.8				250
260						6.7	6.5	4.5				260
270							5.9	4.2				270

* with 5 ft boom extension / avec 5 ft extension de flèche
** with 29 ft boom extension / avec 29 ft extension de flèche

TAB 78034



LTM 1400



138 ft**
- 164 ft**



20°
39 ft - 154 ft



360°



209000lbs

85%

ft	138 ft**		154 ft**					164 ft**		ft
	39 ft	39 ft	39 ft	62 ft	85 ft	108 ft	131 ft	154 ft	154 ft	
55	62									55
60	60.5	57.9								60
65	58.4	56.2								65
70	56.7	54.5	40.1							70
75	55.1	52.8	38.9							75
80	53.3	51.3	37.8	27.8						80
85	51.5	49.9	36.7	27						85
90	49.6	48.3	35.8	26.3						90
95	47.8	46.5	34.9	25.5	19					95
100	46	44.7	33.9	24.7	18.3					100
105	44.5	43	32.9	24	17.6	12.1				105
110	43.2	41.3	31.7	23.5	17.1	12				110
115	41.8	39.9	30.6	22.9	16.6	11.7				115
120	40.5	38.5	29.7	22.3	16.1	11.3	8.5			120
125	39.2	37.2	28.8	21.8	15.4	11	8.1	7.7		125
130	38	36	28.2	21.3	14.9	10.5	7.8	7.5		130
135	36.8	34.8	27.2	20.7	14.5	10.1	7.6	5.4		135
140	35.6	33.7	26.4	20.1	14.3	9.8	7.4	5.2		140
145	34.5	32.7	25.7	19.8	14.3	9.5	7.3	7		145
150	33.5	31.3	24.9	19.3	14	9.3	7.1	6.7		150
155	32.3	29.9	24.1	18.8	13.6	9.1	6.8	6.5		155
160	30.8	28.4	23.4	18.3	13.2	8.9	6.5	6.3		160
165	29	27.1	22.6	17.8	12.7	8.5	6.4	6.1		165
170	27.1	25.9	22.1	17.3	12.4	8.2	6.2	5.8		170
175	25.3	24.7	21.6	16.8	12.2	8	6	5.6		175
180	23.4	23.4	21.1	16.4	12	7.8	5.7	5.4		180
190		20.6	19.8	15.6	11.6	7.5	5.3	5.1		190
200		17.6	18.2	14.8	11.1	7.2	5	4.7		200
210			16.3	14.1	10.6	6.8	4.6	4.4		210
220			14	13.3	10.3	6.7	4.3	4.1		220
230				12.4	9.8	6.5	4.1	3.9		230
240				11.2	9.3	6.3	3.9	3.6		240
250					8.8	5.9	3.7	3.3		250
260					8.3	5.6	3.4	3.1		260
270					7.9	5.4	3.2			270
280					7.1	5.2				280

** with 29 ft boom extension / avec 29 ft extension de flèche.

TAB 78035

