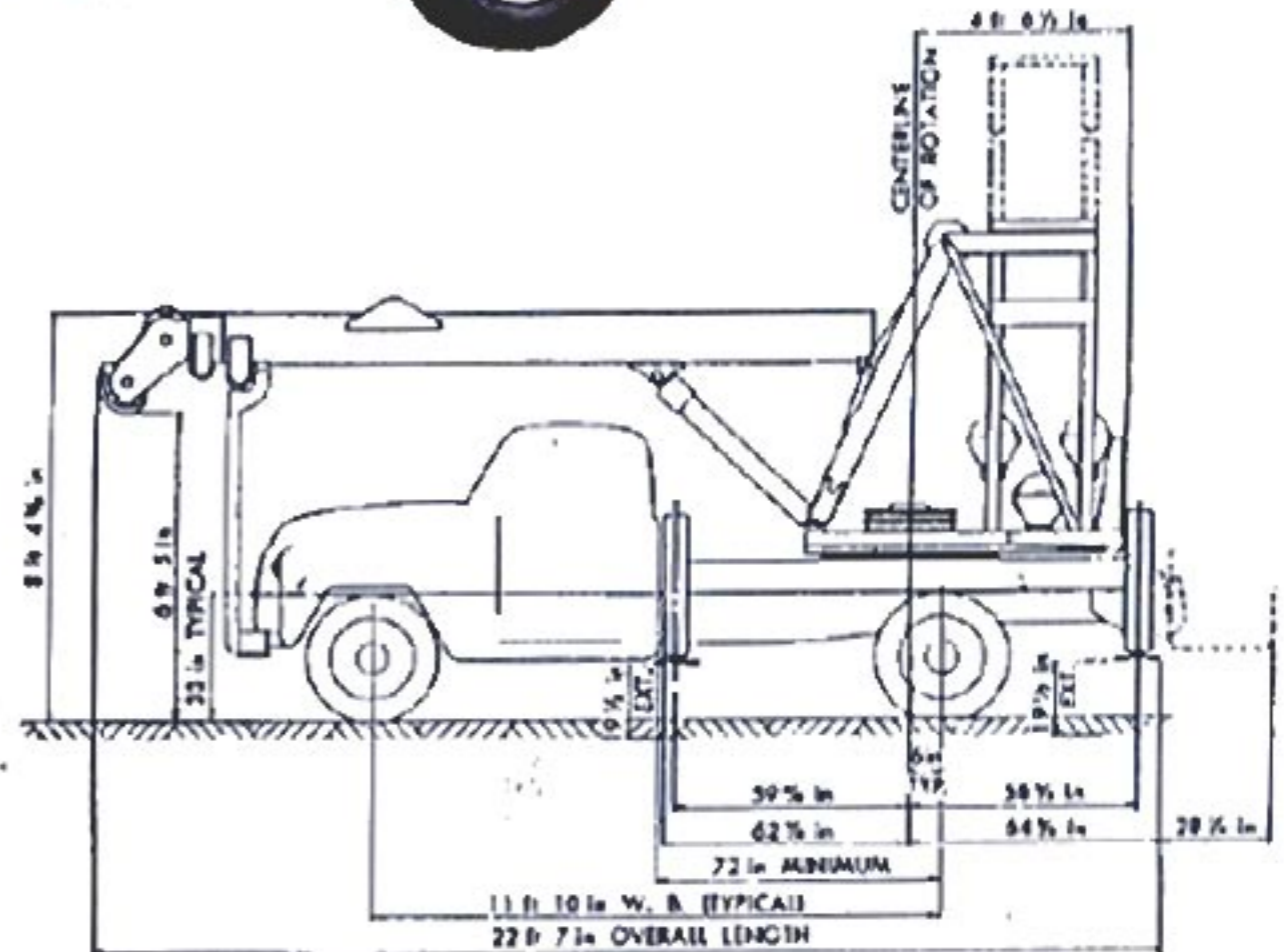
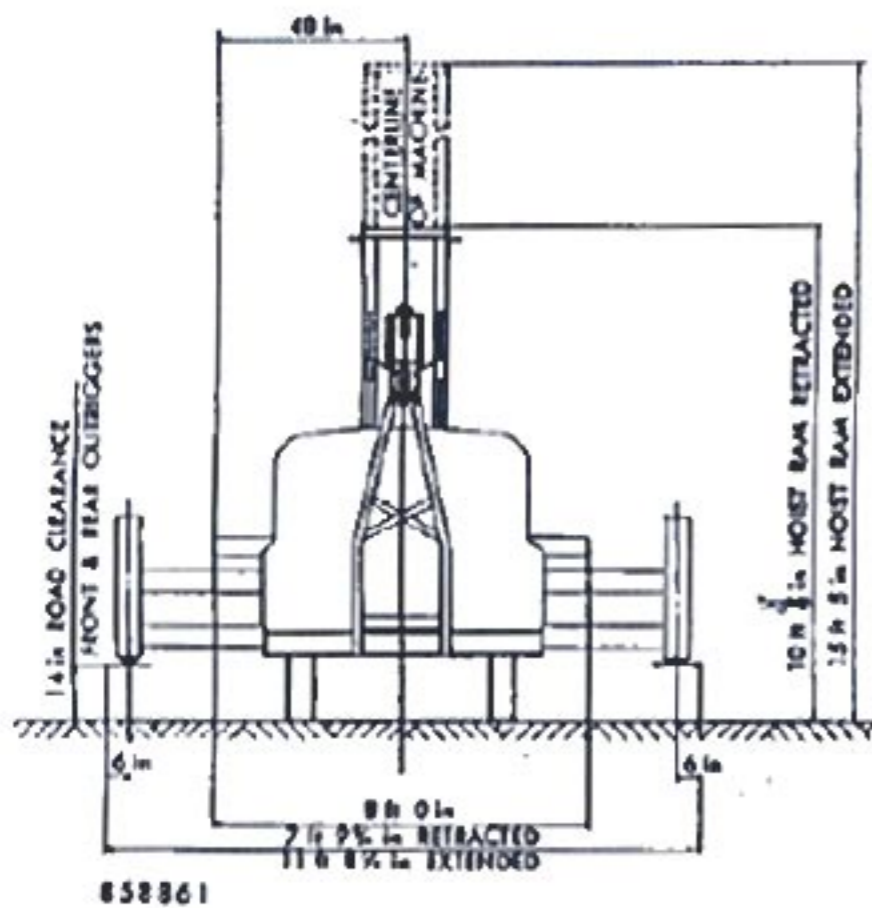


<b>B</b> BUCYRUS-ERIE	<b>H-3</b> SERIES TWO 5 TON HYDROCRANE MACHINE SPECIFICATIONS
--------------------------	--



Vertical dimensions shown are for a typical 4 x 2, 5,000 lb, 142 in wheelbase truck with 8:25 x 20 tires. Dimensions will vary with make and model of truck on which crane is mounted.

POWER SPECIFICATIONS		
Make — Model Type	Ford-C5PF Gasoline	IHC UD-236 Diesel
Type of Drive	Direct	Direct
Cylinders	6	6
Bore x stroke, inches	4.00 x 3.18	3-11/16 x 3-11/16
Displacement, cubic inches	240	236
Horsepower, net at full load speed	81 at 2100	56 at 2100
Fuel tank capacity, gallons	Uses truck tank	Uses truck tank
Crankcase capacity, quarts	7 (with filter)	9
Cooling system capacity, gallons	4 1/4	6.5
Starter	12V-Electric	12V-Electric
Altitude, feet	0-4,000	0-4,000

WEIGHTS IN POUNDS	
	Hydrocrane*
Net weight domestic, approximately	12,600
Export shipping weight, approximately	15,500
Ships option tons, approximately	26
*Without truck	

PERFORMANCE		
	With Selector Valve	Without Selector Valve
Hoist speed, single free line	220 fpm	150 fpm
Boom hoist — 0 to 75 degrees	13 secs	19 secs
Boom telescope — speed out	50 fpm	15 fpm
Boom telescope — speed in, approximate	120 fpm	50 fpm
Swing (full 360 degrees but not continuous revolving) approximate	5 rpm	
Road speed	Up to 50 mph	
Single hoist line pull	5,000 lbs	

HYDRAULIC PUMP	
Make	Dynex
Model	PF-4015
Number	1
Horsepower	45
Delivery	11.0 gpm
Maximum intermittent pressure	8000 psi
Maximum speed	240L