

RS6-42
RS8-42
RS8-44

GEHL

Form No.

913273

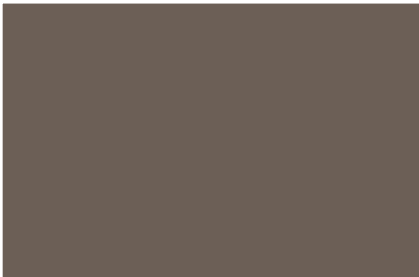
Revision B
February 2008

Telescopic Handlers

For machines with the following serial numbers:

RS6-42; SN 14235 and up

RS8-42/44; SN 16766 and up



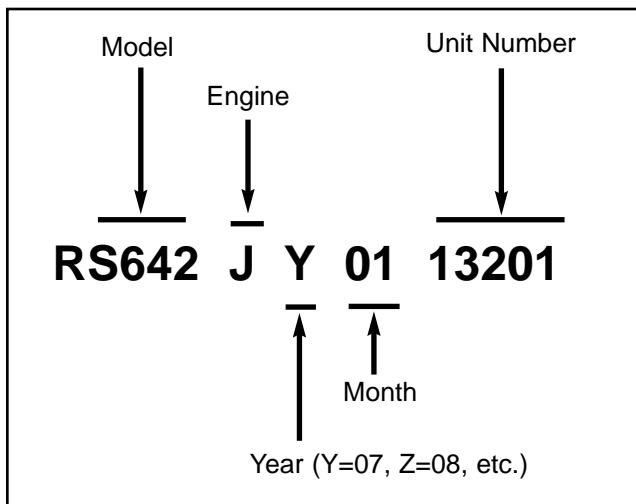
Parts Manual

NOTE: *This parts manual identifies both standard and optional features for this model. Depending on the features of your machine, some of the items identified in the parts lists may, or may not be included with the machine.*

The Table of Contents pages list the page locations of various component groups on the machine.

When ordering service parts, specify the part number, full description, quantity required, and the unit model and serial number.

Model and serial numbers for this unit are stamped on a plate located inside the operator's station. The serial number is also stamped on the top front of the frame. The following reference shows the breakdown of the serial number:



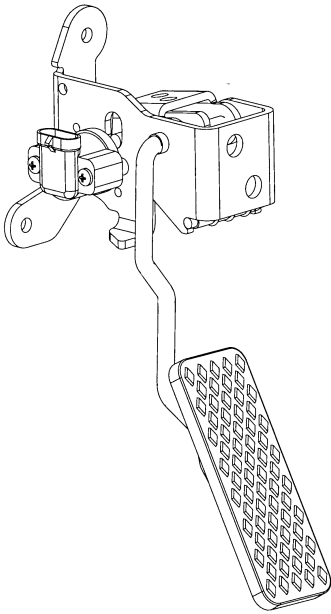
“Right” and “left” are determined from a position standing behind the unit and facing the direction of travel.

GEHL Company reserves the right to make changes or improvements in the design or construction of any part of the unit without incurring the obligation to install such changes on any unit previously delivered.

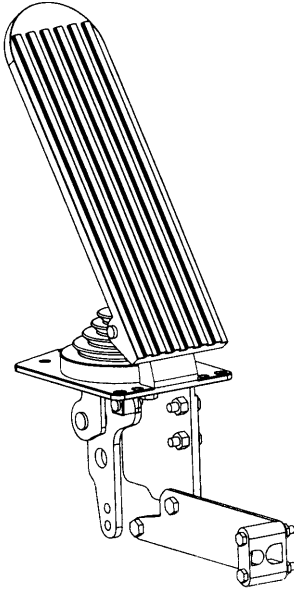
Grease fittings and common attaching hardware, such as cotter pins, set screws, woodruff keys, screws and nuts are included in the parts list, indented below the part they are associated with, but NOT illustrated, except where a particular routing or special fastening arrangement must be maintained. The hardware listed is for mounting purposes and is NOT included when the part is ordered for replacement.

Standard attaching hardware torque values are provided on the inside back cover. Unless otherwise specified, all capscrews are Grade 5, cadmium or zinc plated; hexagon nuts for Grade 5 capscrews or bolts are Grade 5.

NOTE: *There are two engine options for this model: 115 H.P. and 99 H.P. When ordering parts, be sure to note the reference to the engine on the pages that are dependent on the engine model. Machines equipped with an electronic throttle pedal have a 115 H.P. engine. Machines equipped with a manual throttle pedal have a 99 H.P. engine.*



Electronic Throttle
(115 H.P. Engine)



Manual Throttle
(99 H.P. Engine)

Introduction

Table of Contents	2
Filter Reference	4

Cab

Standard Cab	8
Front and Rear Window (Enclosed Cab)	10
Wipers - Front and Rear Window (Enclosed Cab)	12
Top and Left Window (Enclosed Cab)	14
Cab Door (Enclosed Cab)	16
Instrument Panel and Switches	18
Fuses, Wire Harnesses and Electrical	20
Front and Rear Lights	22
Heater	24
Steering Column Components	26
Seat	28
Tri-Function Cab Components (Option)	30
Brake Valve	32
Brake and Accelerator Pedals	34
Cab Mounts	36

Chassis, Covers and Tanks

Outrigger	38
Hoods and Covers	40
Fuel Tank and Battery	44
Hydraulic Tank	46

PWP (Personnel Work Platform)

Personnel Work Platform Group	48
Radio Remote - Transmitter and Receiver	50

Engine

External Components - 115 H.P. Engine	52
External Components - 99 H.P. Engine	54
Air Intake - 115 H.P. Engine	56
Air Intake - 99 H.P. Engine	58
Exhaust	60
Radiator and Coolers (115 H.P. Engine)	62
Radiator and Coolers (99 H.P. Engine)	66

Transmission

External Components and Driveshafts	68
Torque Converter Housing	70
Case and Plate	72
Torque Converter	74
Gear Assembly	76
Drive Pump	78

Continued on next page.

Transmission (continued)

Charge Pump79

Reverse Idler80

Forward and Reverse82

Third Shaft84

First and Second Shaft86

Output Shaft88

Electronic Controllers90

Drive Plate92

Modulation Valves93

Axles

External Components94

Brake and Steering Hydraulic Circuit96

Tie Rods, Steer Cylinder and Center Housing (Front and Rear)98

Differential (Front and Rear)100

Outer End (Front and Rear)102

Brakes (Front)104

Brakes (Rear)105

Boom Components

Outer Boom (Front)106

Outer Boom (Rear)108

Outer Boom Side Cover110

Intermediate Boom (Front)112

Intermediate Boom (Rear)114

Intermediate Boom Hose Tray116

Intermediate Boom Chain118

Inner Boom (Front)120

Inner Boom (Rear)122

Dynattach® Assembly124

Boom Hydraulics

Boom Extend / Retract126

Tilt128

Slave (Compensation)130

Boom Up/Down132

Auxiliary Hydraulics Circuit134

Chassis Hydraulics

Frame Level136

Frame Stabilizer138

Hydraulics

Hydraulic Pump	140
Steering	142
Main Valve	144
Main Valve - Dual Controls	146
Main Valve - Tri-Function Controller	148
Main Valve - Tri-Function Controller (w/Auxiliary Hydraulics)	150
Main Valve - Tri-Function Controller (w/PWP)	152
Main Valve - Tri-Function Controller (w/PWP and Auxiliary Hydraulics)	154
Main Valve - Radio Remote Control Option	156
Dual Controls (Standard)	158
Dual Controls (w/Auxiliary Hydraulics)	160
Dual Controls (w/Outriggers)	162
Dual Controls (All Options except PWP)	164
Dual Controls (w/PWP Only)	166
Dual Controls (w/PWP and Outriggers)	168
Dual Controls (w/PWP and Auxiliary Hydraulics)	170
Dual Controls (w/PWP, Outriggers and Auxiliary Hydraulics)	172
Dual Controls (Radio Remote)	174
Dual Controls (Radio Remote - w/Outriggers)	176
Dual Controls (Radio Remote - w/Auxiliary Hydraulics)	178
Dual Controls (Radio Remote - w/Auxiliary Hydraulics and Outriggers)	180
Tri-Function Controller (No Options)	182
Tri-Function Controller (w/Outriggers)	184
Tri-Function Controller (w/PWP)	186
Tri-Function Controller (w/PWP and Outriggers)	188
Tri-Function Controller (Radio Remote)	190
Tri-Function Controller (Radio Remote - w/Outriggers)	192
Outrigger Main Valve / Controller	194

Hydraulic Cylinders

Frame Level	196
Stabilizing	198
Boom Lift	200
Boom Extend	202
Slave (Compensation)	204
Tilt	206
Outrigger	208
Rotate Carriage	210
Swing Carriage	211
Fork Shift	212
Axle Steer	213

Hydraulic Components

Hydraulic Pump	214
Master Cylinder Brake Valve	215

Continued on next page.

Hydraulic Components (continued)

- Power Steer Motor216
- Steer Select Valve217
- Priority Flow Divider Valve218
- Joystick Relief - Flow Divider219
- Pilot Apply Valve - Tri-Function Controller (Option)220
- PWP Manifold221
- Stabilizing Valve222
- Radio Remote Manifold223
- Main Valve224
- Main Valve - Auxiliary Hydraulics Work Section226
- Outrigger Control Valve228
- Controller - Tilt / Frame Level (Standard)230
- Controller - Boom Lift/Extend (Standard)232
- Controller - Outrigger (Option)234
- Controller - Auxiliary Hydraulics (Standard) - Frame Level (Tri-Function)236
- Controller - Tri-Function (Option)238

Attachments

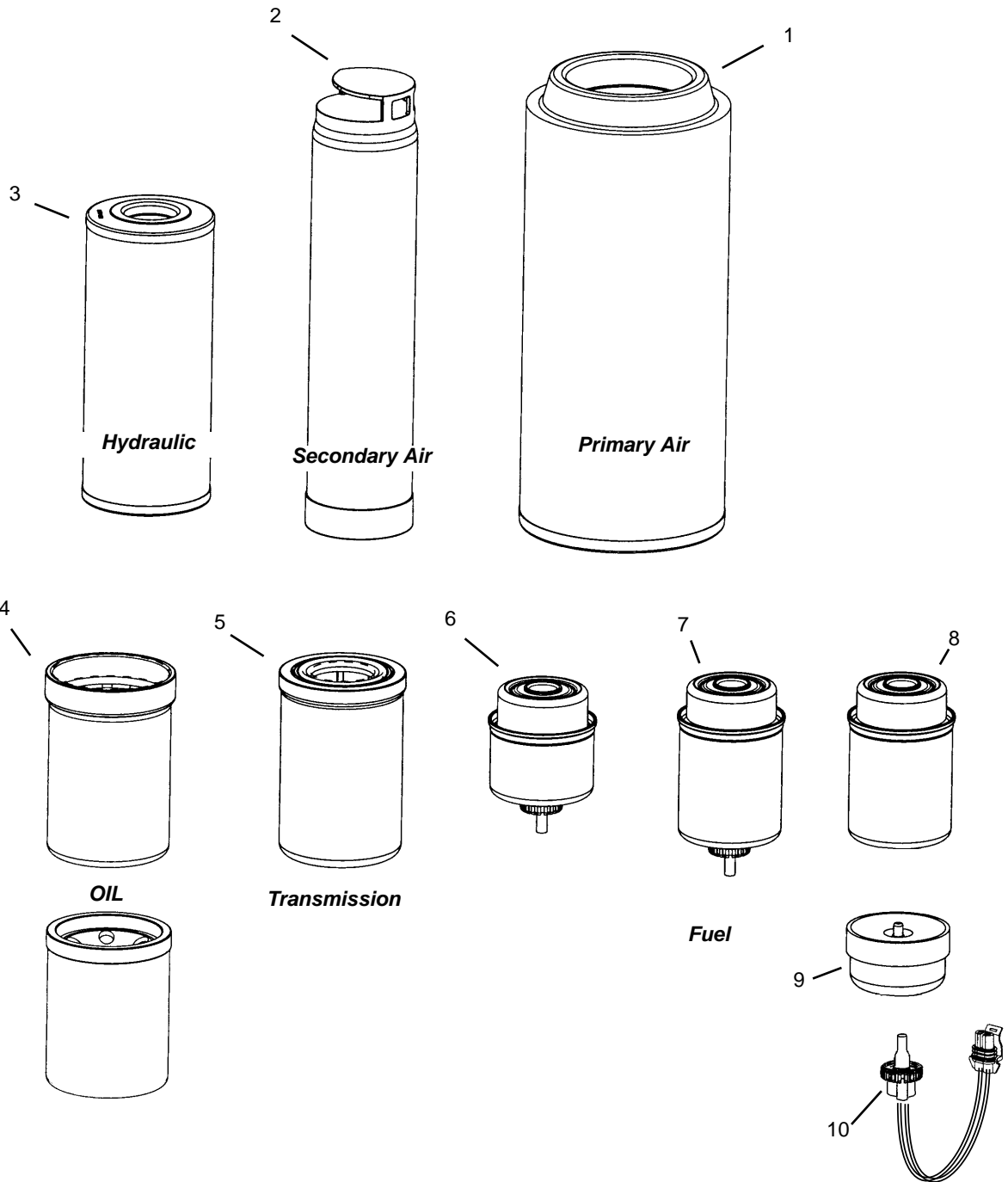
- Carriage Forks240
- Standard Carriage242
- Fork Shift Carriage244
- Rotate Carriage246
- Swing Carriage248
- 180° Swing Carriage250
- 180° Manual Swing Work Platform252
- Log/Pipe Carriage254
- Truss Boom and Winch256
- Bucket258
- Work Platform260

Decals

- Decal Application and Paint263
- Decal Locations264

Numerical Index268

Index280



Telescopic Handler

Filters

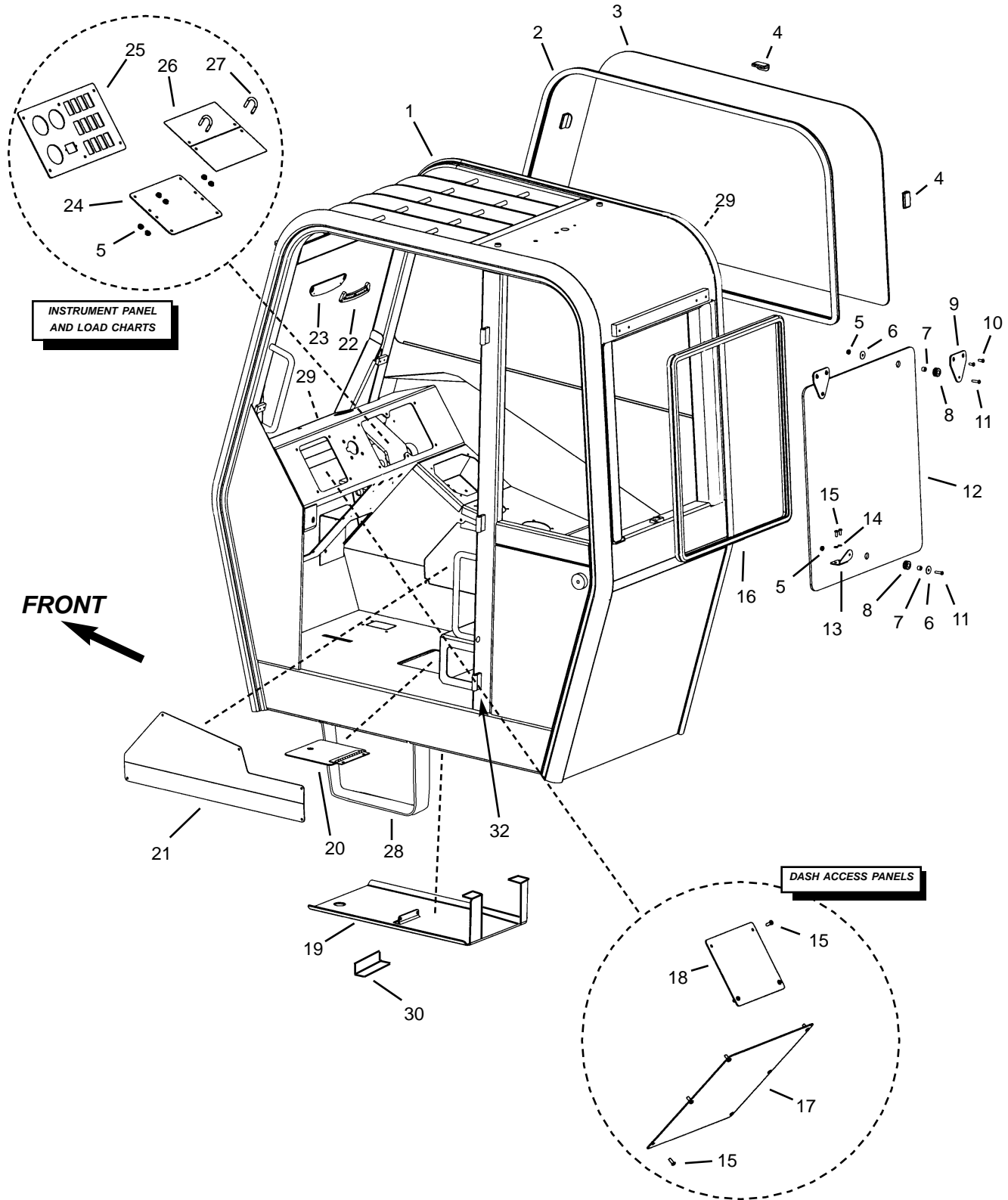
All

Ref. No.	Part No.	Description	Qty. Req.	Ref. No.	Part No.	Description	Qty. Req.
01	105070 137498	PRIMARY AIR FILTER (<i>outer</i>) 1 <i>Note a</i> <i>Note b</i>		07 ^a	105795	FUEL FILTER (<i>115hp engine</i>) 1 (<i>secondary filter</i>)	
02	105071 137501	SECONDARY AIR FILTER (<i>inner</i>) . 1 <i>Note a</i> <i>Note b</i>		08 ^a	105794	FUEL FILTER (<i>115hp engine</i>) 1 (<i>primary filter</i>)	
03	L97489	HYDRAULIC FILTER 1		09 ^a	105818	SEDIMENT BOWL 1 (<i>without water sensor</i>)	
04 ^c	102173	ENGINE OIL FILTER 1		10 ^a	105819	WATER SENSOR 1	
05	L99184	TRANSMISSION FILTER 1					
06 ^b	L98978	FUEL FILTER (<i>99hp engine</i>) 1					
				<i>a</i>		<i>Units equipped with a 115 H.P. engine. (electronic throttle pedal)</i>	
				<i>b</i>		<i>Units equipped with a 99 H.P. engine. (manual throttle pedal)</i>	
				<i>c</i>		<i>Use dust seal P/N 102742 as needed</i>	

Cab

Standard Cab

RS6-42/RS8-42/44



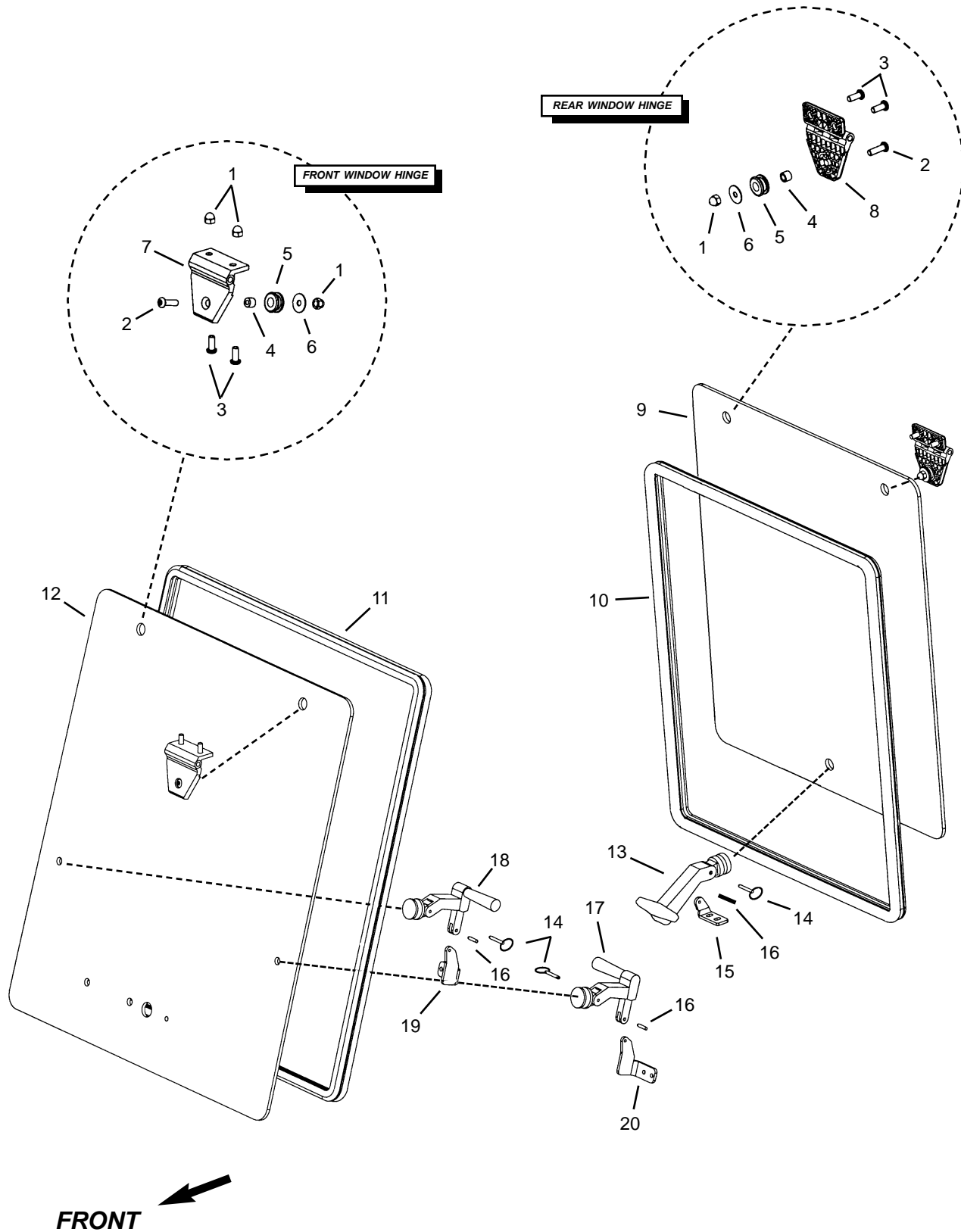
Telescopic Handler

Cab Standard Cab

Ref. No.	Part No.	Description	Qty. Req.	Ref. No.	Part No.	Description	Qty. Req.
01 ^d	102559	CAB WELDMNT	1	25	<i>Note b</i>	PANEL, DASH	1
02	102707	BULB SEAL, RIGHT WINDOW	1	26 ^c	L63634	LOAD CHART PLATE (<i>metal</i>)	2
03	102683	GLASS, RIGHT HAND	1		L69402	LOAD CHART PLATE (<i>plastic</i>)	AR
	103674	SCREEN, RIGHT HAND (<i>option</i>)		27	L63887	1/4"-20 U-BOLT	1
04	L500057	CLIP, WINDOW	3	28	102491	ACCESS STEP (<i>weld on</i>)	1
	L500055	SCREW, FLANGE	6	29	103188	GROMMET, 5/8"	AR
05	L50051	1/4"-20 WHIZ LOCK NUT	AR	30	103371	BRACKET	1
06	L500022	WASHER, FLAT (<i>black</i>)	3	32	L61067	HINGE TUBE (<i>weld on</i>)	3
07	L500020	BUSHING, NYLON	3			(<i>when equipped with door option</i>)	
08	L500021	GROMMET, 1/2"ID X 1/4"GROOVE	3				
09	102880	MOUNT, REAR GLASS UPPER	2				
10	L52025	5/16"-18X3/4" BUTT. HD BOLT	4				
11	L52024	1/4"-20X1" BUTT. HD BOLT	3				
12	102684	GLASS, REAR	1	00	104688	PLUG, BLACK 5/8"	AR
13	102881	MOUNT, REAR GLASS LOWER	1	00 ^a	L63813	HOLE PLUG, 2-1/2" DIA	1
14	L50139	1/4" LOCK WASHER	2			(<i>defroster hole in dash</i>)	
15	L50202	1/4"-20X5/8" BUTT. HD BOLT	AR	00	L54002	TREAD STRIP, 6" WIDE	4 feet
16	102708	BULB SEAL, REAR WINDOW	1				
17 ^a	102728	PANEL, HEATER	1				
18 ^a	102727	PANEL, DASH COVER	1	<i>a</i>		<i>Use when not equipped with a heater.</i>	
19	103389	SKID PLATE, BOTTOM (<i>new style</i>)	1	<i>b</i>		<i>Refer to "Instrument Panel and Switches" section for information regarding switches and gauges.</i>	
	090666	3/8" WHIZ LOCK NUT	2	<i>c</i>		<i>Refer to decal section for load chart decals.</i>	
	654024	5/16" LOCK WASHER	2				
	650486	5/16"-18X3/4" BOLT	2				
20	102778	WLDMNT, BRAKE CYL COVER	1	<i>d</i>		<i>If ordering a replacement cab that is equipped with a cab enclosure (all the windows and door), it will also be necessary to order replacement front window hold-open brackets PN 104973 and PN 104974. Refer to the next page for more information.</i>	
21	102657	COVER, HYD. CONTROLLERS	1				
	101550	1/4"-20X3/4" SCREW, PHILP HD.	5				
22	L66011	INDICATOR/FRAME LEVEL	1				
	L50417	#8-32X1" SCREW	2				
23	L69297	PLATE, INCLMT MOUNT	1				
	L52025	5/16"-18X3/4" BUTT. HD BOLT	4				
24	102692	COVER, FUSE PANEL	1				
	101550	1/4"-20X3/4" SCREW, PHILP HD.	4				

-- ITEMS NOT SHOWN--

Front and Rear Window (Enclosed Cab)



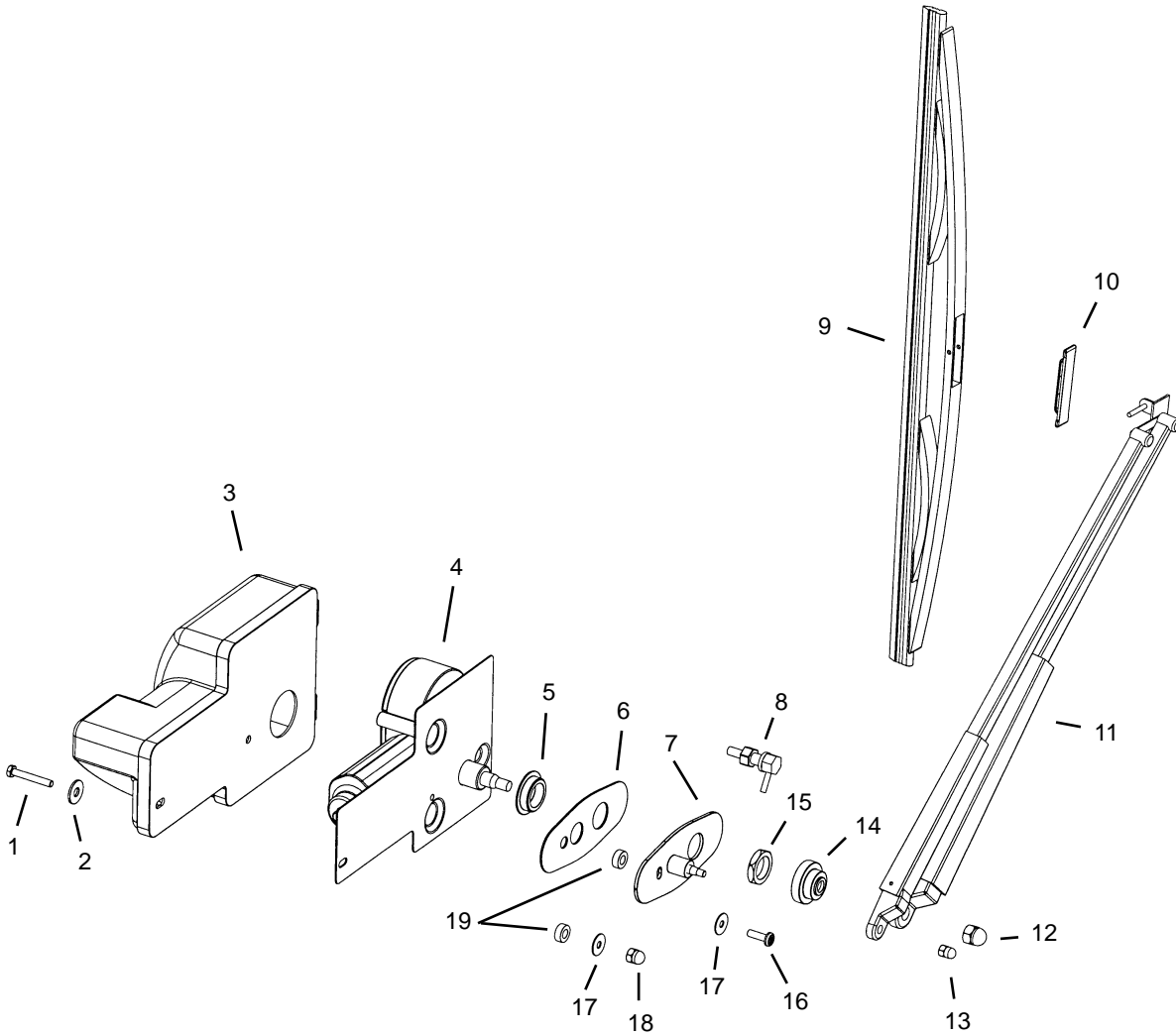
Telescopic Handler

Cab

Front and Rear Window (Enclosed Cab)

Ref. No.	Part No.	Description	Qty. Req.	Ref. No.	Part No.	Description	Qty. Req.
01	L500038	5/16"-18 ACORN NUT	AR	15	104846	MOUNT, REAR WINDOW LATCH . .	1
02	651639	5/16"-18X1" BUTTN HD BOLT	4	16	L500019	PIN, ROLL - 3/16"x1/2"	3
03	651640	5/16"-18X3/4" BUTTN HD BOLT . . .	8	17	L500028	HOLD OPEN, L-STYLE	1
04	L500042	BUSHING, STEEL	4	18	L500027	HOLD OPEN, L-STYLE	1
05	L500021	GROMMET, 1/2"IDX1/4"GROOVE . . .	6	19	104974	MOUNT, WIND. HOLD OPEN (RH)	1
06	651641	5/16" FLAT WASHER (BLACK)	4	20	104973	MOUNT, WIND. HOLD OPEN (LH).	1
07	L500111	HINGE, FRONT WINDOW	2				
08	L500024	HINGE, PLASTIC (<i>rear window</i>) . . .	1				
09	102684	GLASS, REAR	1				
10	102708	BULB SEAL, REAR GLASS	1				
11	102706	BULB SEAL, FRONT GLASS	1				
12	102682	GLASS, FRONT	1				
13	101727	HOLD OPEN, T-STYLE	1				
14	L500025	PIN, QUICK DETACH	4				
						-- ITEMS NOT SHOWN --	
						(Hardware for window hold open brackets)	
				00	650863	1/4" FLAT WASHER	AR
				00	654002	1/4" LOCK WASHER	AR
				00	L50202	1/4"-20X5/8" BUTTN HD BOLT . .	AR

Wipers - Front and Top (Enclosed Cab)

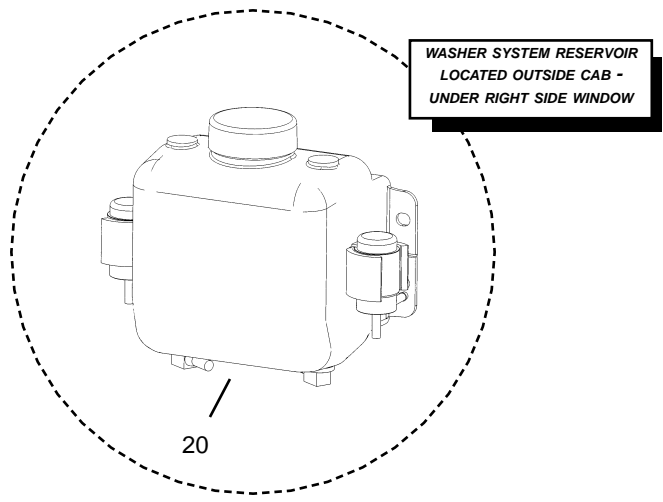


Telescopic Handler

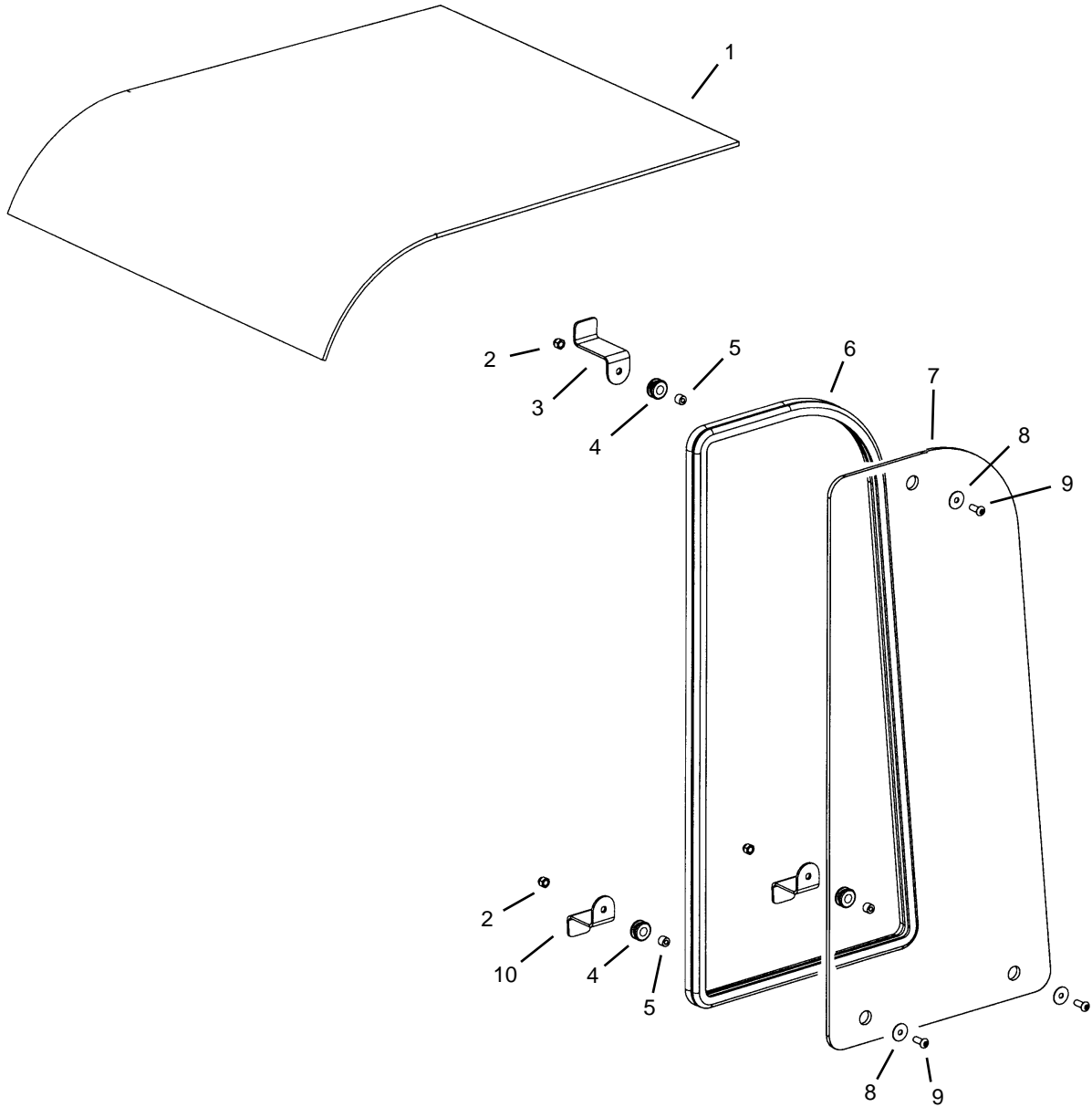
Cab

Wipers - Front and Top (Enclosed Cab)

Ref. No.	Part No.	Description	Qty. Req.	Ref. No.	Part No.	Description	Qty. Req.
Note: unless otherwise indicated, all parts are used on both front and top glass.				16	L500711	SCREW / M5 16mm	1
01	L500718	BOLT / 10-24x1.25 HEX GR5	1	17	101717	WASHER, #10 WEATHERTITE	2
02	L500001	WASHER/BLK NYLON	1	18	L500004	NUT/ACORN #10-24 BLK	1
03	L500696	COVER WIPER MOTOR	1	19 ^c	L500694	BUSHING / NYLON	2
04	L500695	WIPER MOTOR / TRICO	1	20	101495	BOTTLE, DUAL -PUMP WASHER	1
05 ^c	L500708	TOWER SEAL / TRICO WIPER	1	-- ITEMS NOT SHOWN --			
06	L500701	GASKET / PANTO ADAPTER	1	(Windshield Wiper Harness)			
07	L500719	PANTO ADAPTER PLATE	1	00	103179	HARNESS, TOP WIPER	1
08	L500099	ADAPTER/WET ARM	1	00	103180	HARNESS, FRONT WIPER	1
09	102913	WIPER BLADE , 16"	1	(Windshield Washer System)			
10	L500707	ADAPTER / PIN LOCK	1	00	102925	HARNESS, WASHER BOTTLE	1
11	L500702	WIPER ARM	1	00	103013	TUBING, WASHER (15-1/2')	1
	102912	<i>Note a</i>					
12	L500700	<i>Note b</i>		a	Used for front window		
13	L500706	M8 / ACORN NUT	1	b	Used for top window		
14	L500709	M5 / ACORN NUT	1	c	Not used on top window		
15	L500697	RAIN SHIELD	1				
		M18 / NUT	1				



Top and Left Window (Enclosed Cab)



FRONT ←

Telescopic Handler

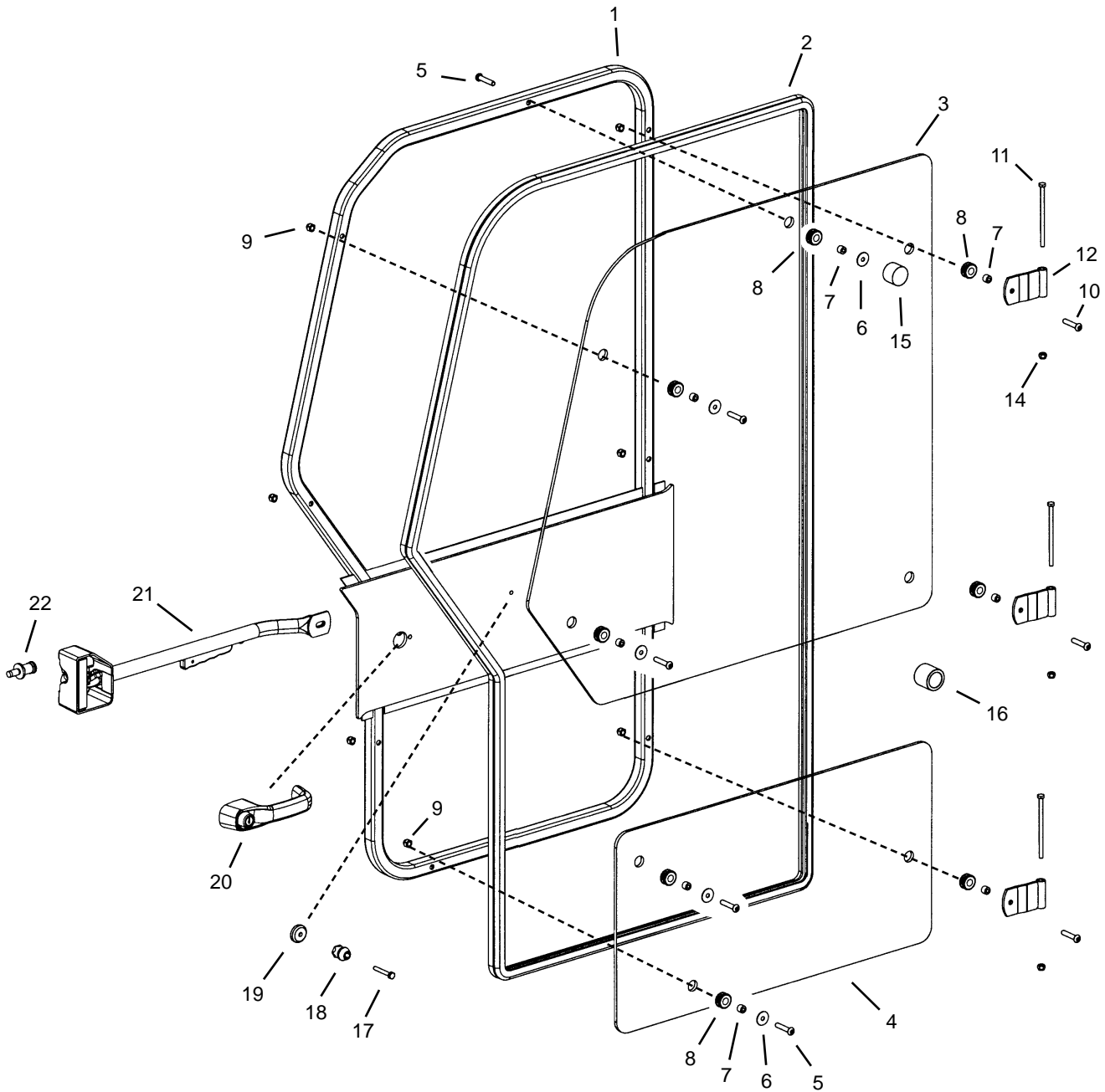
Cab

Top and Left Window (Enclosed Cab)

Ref. No.	Part No.	Description	Qty. Req.	Ref. No.	Part No.	Description	Qty. Req.
01 ^a	102686	GLASS, TOP	1			-- ITEMS NOT SHOWN --	
02	L500038	5/16"-18 ACORN NUT	AR	00 ^b	105149	TOP GLASS FILLER	1
03	102711	WINDOW MOUNT, UPPER	1				
04	L500021	GROMMET, 1/2"IDX1/4"GROOVE	3	a		Use PN L500607 adhesive kit to attach top glass to cab.	
05	L500042	BUSHING, STEEL	4				
06	102709	BULB SEAL, LEFT GLASS	1				
07	102685	GLASS, LEFT REAR	1	b		Used to reduce gap between cab and top glass at front top of the cab; use adhesive L500607 to secure to cab and seal top glass.	
08	651641	5/16" FLAT WASHER (BLACK)	4				
09	651639	5/16"-18X1" BUTTN HD BOLT	4				
10	102712	WINDOW MOUNT, LOWER	2				

Cab
Door (Enclosed Cab)

RS6-42/RS8-42/44



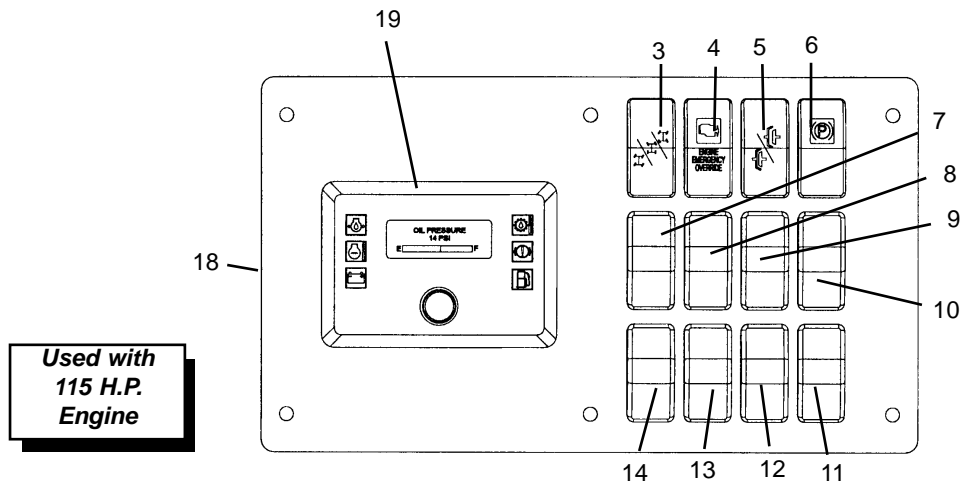
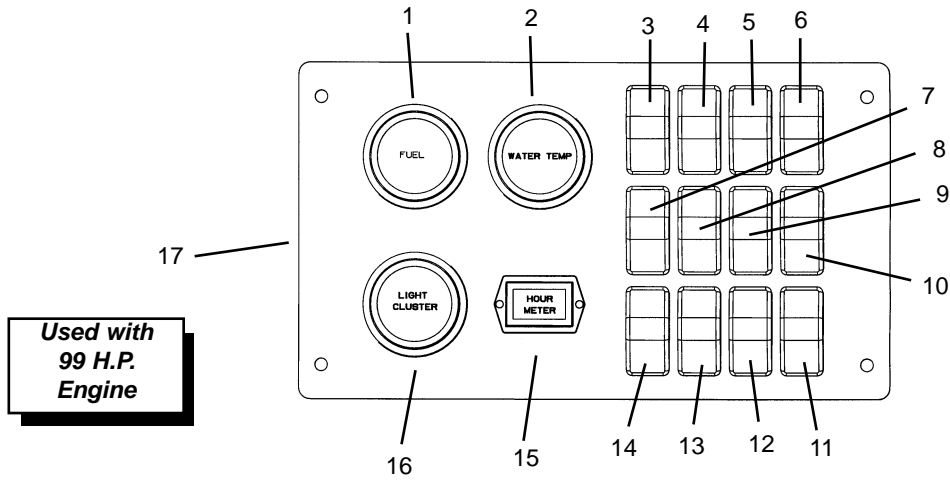
FRONT ←

Telescopic Handler

Cab Door (Enclosed Cab)

Ref. No.	Part No.	Description	Qty. Req.	Ref. No.	Part No.	Description	Qty. Req.
00	103014	CAB DOOR	1			<i>(includes item #18) [mounts to cab]</i>	
		<i>(includes items 1-10, 12 and 15)</i>		17	650588	1/4"-20x1-1/2" BOLT	1
01	102874	WELDMENT, CAB DOOR FRAME .	1	18	NSS	HOLD OPEN/DOOR STUD.	1
02	102705	BULB SEAL, DOOR FRAME	1			<i>(included with item #16 as a set)</i>	
03	102680	GLASS, UPPER DOOR	1	19	101719	GLASS MOUNT	1
04	102681	GLASS, LOWER DOOR	1	20	102948	HANDLE, EXT. DOOR LOCKING . .	1
05	651638	5/16"-18X1-13/4" BUTTN HD BOLT	5		101792	KEY ONLY	1
06	651641	5/16" FLAT WASHER (BLACK)	5	21	102886	LATCH RELEASE, INTERIOR	1
07	L500042	BUSHING, STEEL	8		651635	1/4-20X1-1/4" FLAT HD SCREW . .	2
08	L500021	GROMMET, 1/2"IDX1/4"GROOVE .	8		L50202	1/4-20X5/8" BUTTN HD BOLT	1
09	L500038	5/16"-18 ACORN NUT (BLACK) . . .	8		651636	M6-1X12 8.8 BOLT.	2
10	651643	5/16"-18X2" BUTTN HD BOLT	3		L500022	FLAT WASHER (BLACK)	1
11	650730	3/8"-16X5" BOLT	3		L520003	1/4"-20 NYLON INSERT NUT	2
12	102901	WELDMENT, DOOR HINGE	3		L70069	1/2" HOLE PLUG	2
13	N/A			22	101436	STRIKER	1
14	067847	3/8"-16 NYLON INSERT NUT	3		654028	7/16" LOCK WASHER	1
15	102928	BUMPER, DOOR	1		654046	7/16" FLAT WASHER	1
16	L500036	HOLD OPEN/DOOR (SET)	1		L70979	7/16"-14 NUT	1

Instrument Panel and Switches



Telescopic Handler

Cab

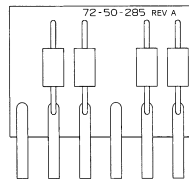
Instrument Panel and Switches

Ref. No.	Part No.	Description	Qty. Req.	Ref. No.	Part No.	Description	Qty. Req.
01 ^{bc}	L63640	GAUGE, FUEL	1	17 ^b	102882	PANEL, DASH <i>(Does not include switches or gauges.)</i>	1
02 ^{bc}	L66437	GAUGE, WATER TEMP.	1	18 ^a	105636	PANEL, DASH <i>(Does not include switches or gauges.)</i>	1
03	L71075	SWITCH, STEER MODE.	1	19 ^a	105554	DISPLAY, CAN & INSTRUMENTS	1
04	101278	SWITCH, ENGINE FAULT.	1				
05	L71086	SWITCH, CLUTCH CUT OUT.	1				
06	L71074	SWITCH, PARK BRAKE	1				
07	L71082	SWITCH, LIGHTS	1				
08	L71084	SWITCH, TURN SIGNALS	1	a		<i>Units equipped with a 115 HP Tier III engine. (electronic throttle pedal)</i>	
09	L71077	SWITCH, HAZARD LIGHTS	1	b		<i>Units equipped with a 99 HP Tier II engine. (manual throttle pedal)</i>	
10	L71691	SWITCH, PWP	1	c		<i>Back light kit #103227; for illuminating gauges.</i>	
11	L71083	SWITCH, STROBE LIGHT	1				
12	L71081	SWITCH, ETHER	1				
13	L71076	SWITCH, WIPER/WASHER	1				
14	L71076	SWITCH, WIPER/WASHER	1				
15 ^b	072340	GAUGE, HOUR METER	1				
16 ^{bc}	L63610	GAUGE, LIGHT CLUSTER	1				

Note: Switches shown in the illustrations or listed on this page are for reference purposes only. Your machine may be configured differently.

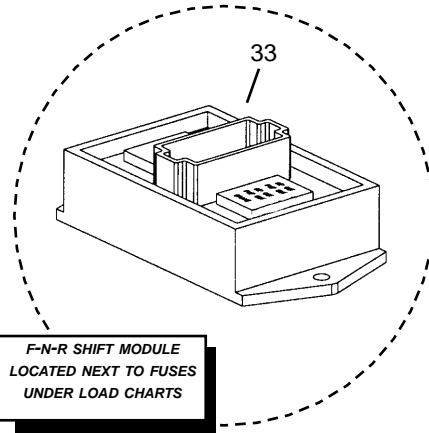
Note: Use PN L71088 Switch Hole Plug to cover switch hole when switches are not present.

Fuses, Wire Harnesses and Electrical



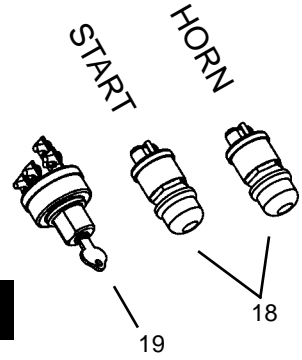
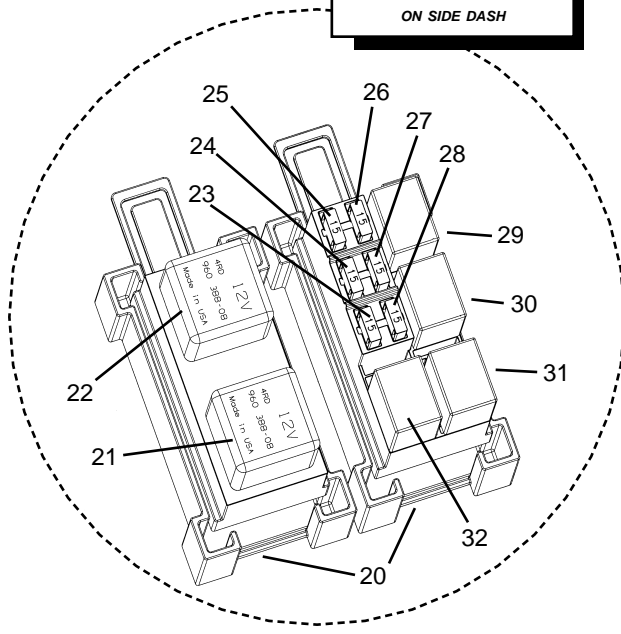
103104
DIODE PACK - FRAME
HARNESS - LOCATED
NEAR TRANSMISSION

34



F-N-R SHIFT MODULE
LOCATED NEXT TO FUSES
UNDER LOAD CHARTS

FUSES AND RELAYS
LOCATED UNDER LOAD CHARTS
ON SIDE DASH



SWITCHES LOCATED
ON LOWER DASH

FUSE AND RELAY REFERENCE	
21	(Relay #2) - Change-over relay - PARK BRAKE
22	(Relay #1) - Change-over relay - IGNITION
23	(Fuse #2) - 15 AMP fuse - (IGNITION) - transmission, park brake, PWP, steer select, injector
24	(Fuse #4) - 25 AMP fuse - (IGNITION) - heater, gauges
25	(Fuse #6) - 25 AMP fuse - (IGNITION) - front wiper motor
26	(Fuse #5) - 25 AMP fuse - (IGNITION) - top wiper motor
27	(Fuse #3) - 15 AMP fuse - (IGNITION) - lights, ether, clutch cutout
28	(Fuse #1) - 15 AMP fuse - (BATTERY) - ignition switch, horn, brake lights, backup alarm
29	(Relay) - 20 AMP micro relay - top wiper
30	(Relay) - 20 AMP micro relay - lights
31	(Relay) - 20 AMP micro relay - bulb check
32	(Relay) - 20 AMP micro relay - front wiper

Fuses, Wire Harnesses and Electrical

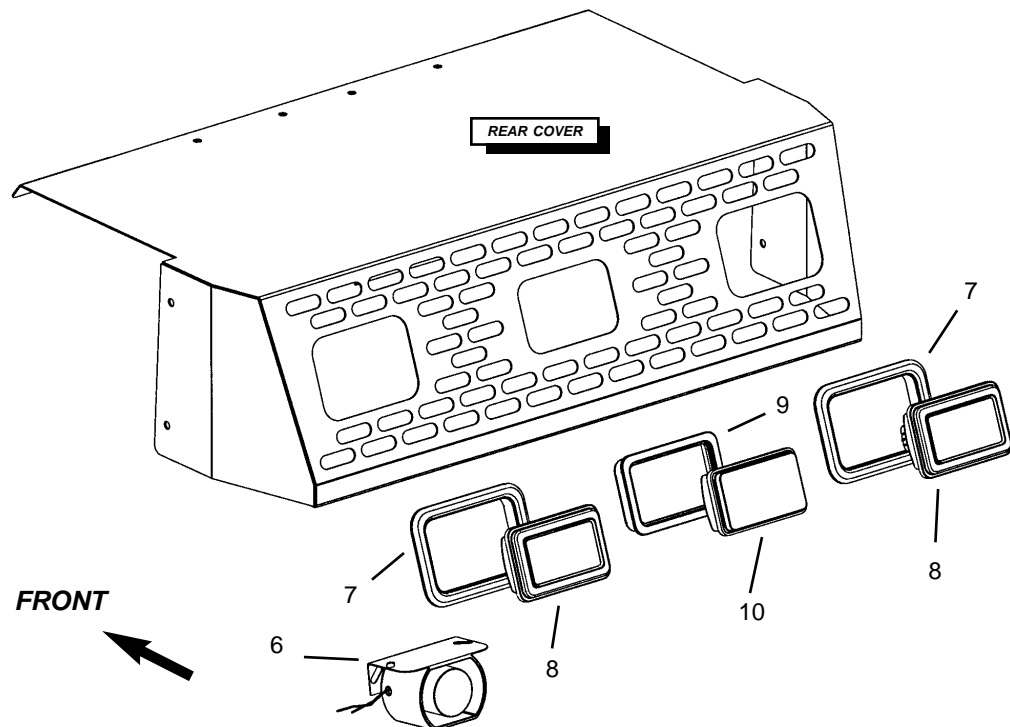
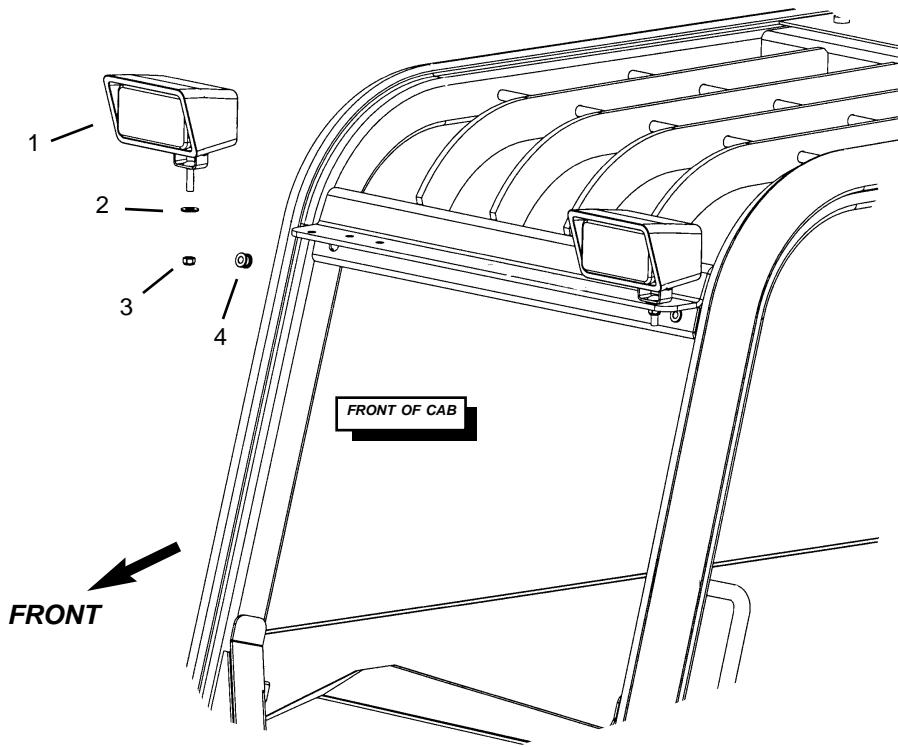
Ref. No.	Part No.	Description	Qty. Req.	Ref. No.	Part No.	Description	Qty. Req.
18	L41848	SWITCH, PUSH BUTTON.	2			--ITEMS NOT SHOWN --	
19	089069	SWITCH, IGNITION (<i>with keys</i>) . . .	1			(Wire Harness)	
	089070	KEYS ONLY (pair)	1	00 ^a	105571	ECU INTERFACE HARNESS	1
20	105620	FUSE BOX / CANOPY HARNESS . . .	1	00 ^a	105573	ELECT. THROTTLE HARNESS . . .	1
		<i>(Includes fuse box housing, does not include fuses or relays).</i>		00 ^{bd}	105618	INSTRUMENTS HARNESS (T2). . .	1
21	L70075	CHANGE OVER RELAY	1	00	105620	CANOPY HARNESS	1
22	L70075	CHANGE OVER RELAY	1	00	102649	FNR SHIFTER HARNESS	1
23	103099	FUSE, MINI 15 AMP	1	00	102645	FRAME HARNESS	1
24	103221	FUSE, MINI 25 AMP	1		103104	DIODE PACK, 4 DIODES.	1
25	103221	FUSE, MINI 25 AMP	1			<i>(located in front of transmission)</i>	
26	103221	FUSE, MINI 25 AMP	1		L500225	60 AMP MAXI FUSE	1
27	103099	FUSE, MINI 15 AMP	1			<i>(located near engine starter)</i>	
28	103099	FUSE, MINI 15 AMP	1			(Miscellaneous)	
29	103100	MICRO RELAY, 20 AMP	1	00	L63894	TURN SIGNAL FLASHER.	1
30	103100	MICRO RELAY, 20 AMP	1			<i>(located through joystick cover)</i>	
31	103100	MICRO RELAY, 20 AMP	1	00	L41847	HORN	1
32	103100	MICRO RELAY, 20 AMP	1	00	L630004	GROUND STRAP	1
33	101877	MODULE, F-N-R SHIFTER.	1			(Strobe light - Option)	
34	103104	DIODE PACK, 4 DIODES	1				
		<i>(part of frame wire harness)</i>		00	104952	STROBE / AMBER	1
				00	104950	HARNESS/ STROBE UPPER.	1
				00	104951	HARNESS/ STROBE DASH	1
				00	L71083	SWITCH/ STROBE LIGHT	1
						<i>(located in position #11 on dash)</i>	

- a Units equipped with a 115 HP Tier III engine. *(electronic throttle pedal)*
- b Units equipped with a 99 HP Tier II engine. *(manual throttle pedal)*
- c *Not all connections or terminals are shown in this illustration. The fuse and relay blocks as shown are located under the load chart panel on the side dash.*
- d *Connects to canopy harness for machines with gauges (99 H.P. engines).*

Cab

Front and Rear Lights

RS6-42/RS8-42/44



Telescopic Handler

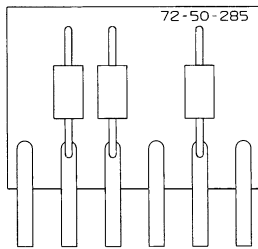
Cab Front and Rear Lights

Ref. No.	Part No.	Description	Qty. Req.	Ref. No.	Part No.	Description	Qty. Req.
01	L70039	HEAD LIGHT	2	-- ITEMS NOT SHOWN --			
02	L50145	3/8" FLAT WASHER	2	00 ^a	102647	WIRE HARNESS, REAR LIGHTS.	1
03	L520005	3/8"-16 NYLON INSERT NUT	2	00 ^b	102572	HARNESS, LIGHT PACKAGE	1
04	101712	GROMMET, 5/8"	2	<i>(dash to rear lights - includes the following diodes:)</i>			
06	L70200	BACKUP ALARM.	1		103101	DIODE PACK <i>(see below)</i>	1
	L50202	1/4"-20X5/8" BOLT, BTNHEAD	2		L500748	DIODE PACK <i>(see below)</i>	1
	L50051	1/4"-20 FLANGE NUT	2		L500747	CLEAR COVER, DIODE PACK	2
07	L500339	BEZEL, RUBBER	2	<i>(see below)</i>			
		<i>(included with item 8)</i>		00	L63894	TURN SIGNAL FLASHER.	1
08	L70701	LIGHT, BRAKE/TURN	2	<i>(located under dash through joystick access cover)</i>			
		<i>(includes item 7 bezel)</i>		00	L70241	HARNESS, HEAD LIGHT	2
09	L500606	BEZEL, RUBBER	1	<i>(dash to head lights)</i>			
		<i>(included with item 10)</i>		00	103192	GROMMET, 13/16"	2
10	L71595	LIGHT, HALOGEN BACKUP.	1	<i>(under dash for head light harness)</i>			
		<i>(includes item 9 bezel)</i>					
	100102	JUMPER WIRE, BACKUP LIGHT	1				

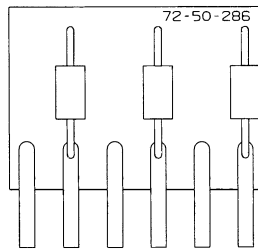
a Standard wire harness, used when not equipped with turn signals.

b Used with optional light package for units equipped with turn signals. Wire harness 102647 is not used when unit is equipped with turn signals.

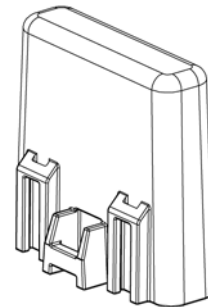
Note: Refer to the Outer Boom - Front Section for the work lights and wire harness associated with the boom.



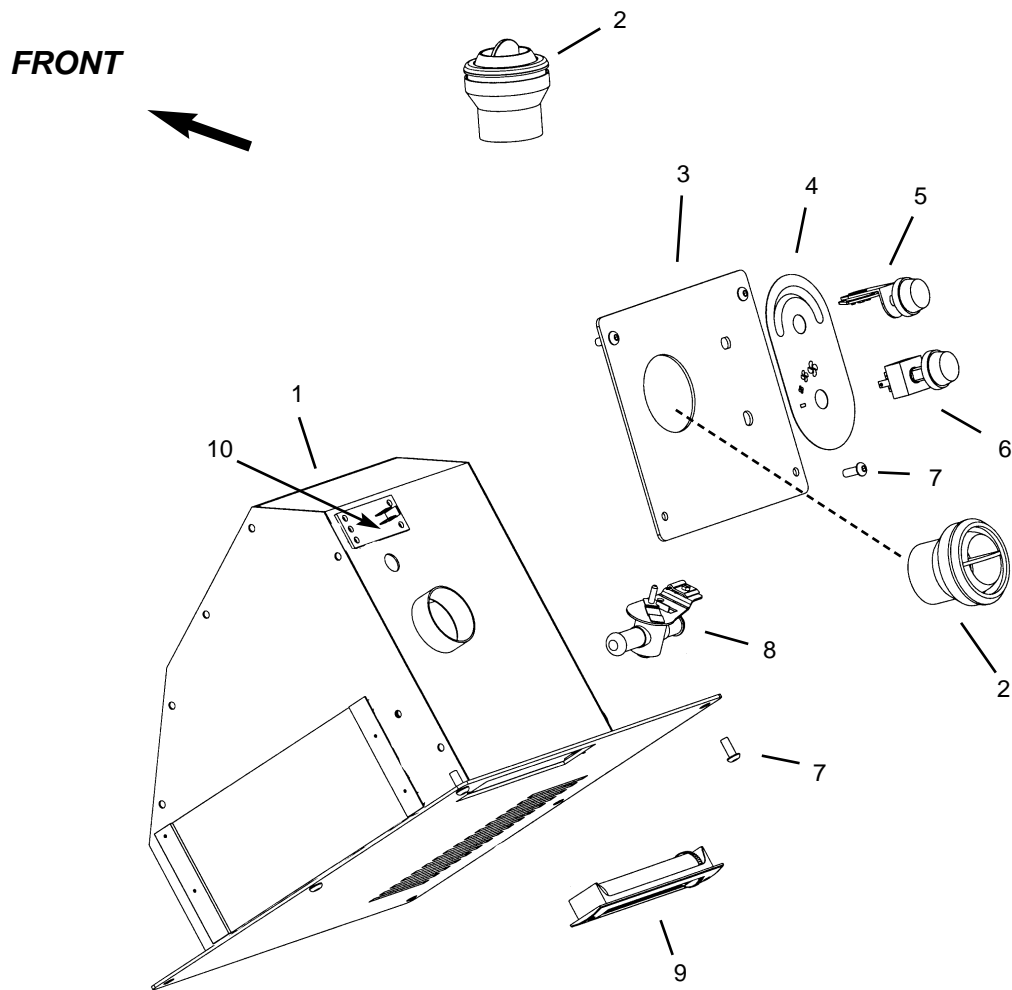
103101
DIODE PACK
LOCATED NEAR
REAR LIGHTS



L500748
DIODE PACK
LOCATED UNDER DASH
NEAR SWITCHES



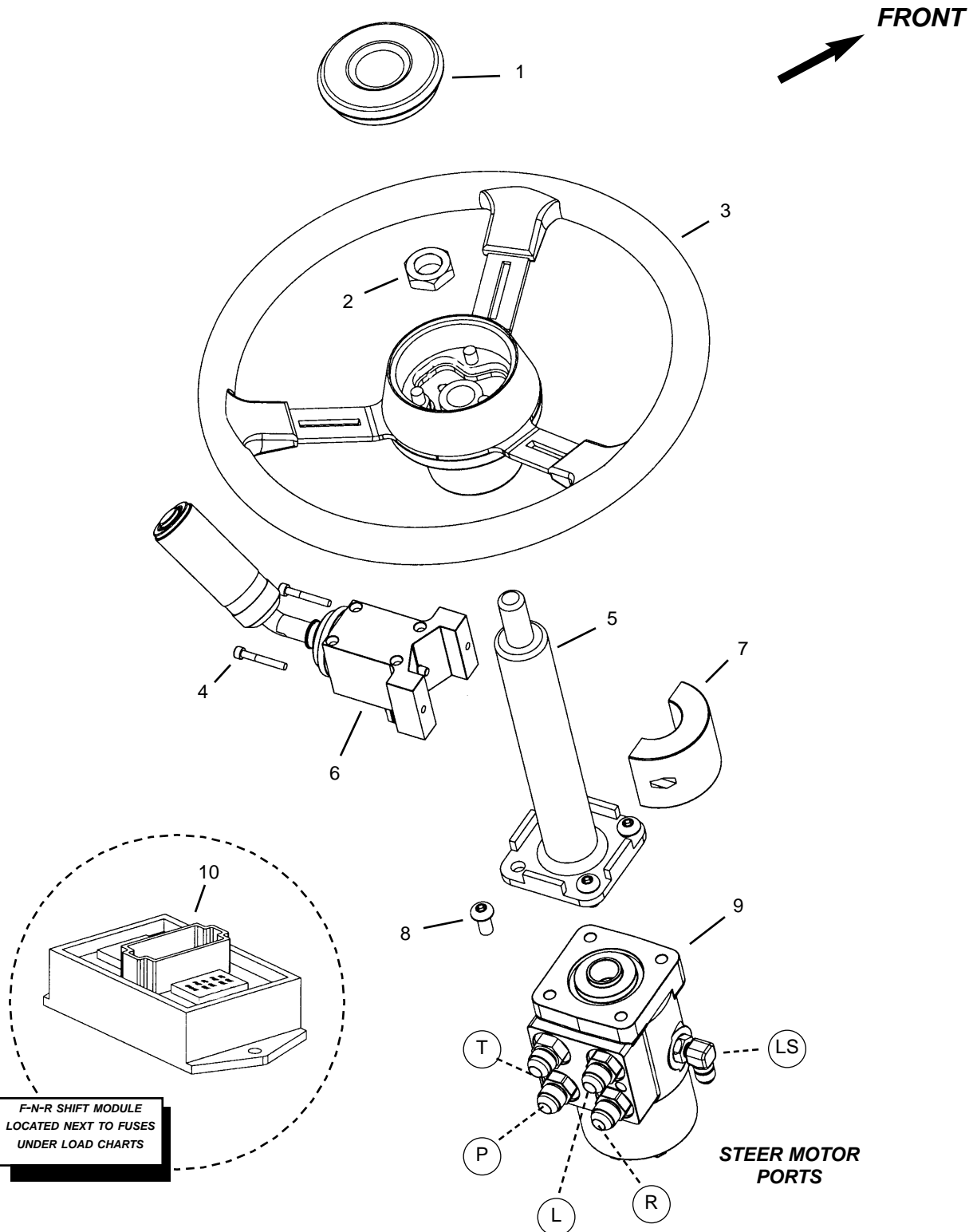
L500747
DIODE PACK
CLEAR COVER



Telescopic Handler

Cab Heater

Ref. No.	Part No.	Description	Qty. Req.	Ref. No.	Part No.	Description	Qty. Req.
01	102907	HEATER ASSEMBLY 1 <i>(Includes items 1-2; 5-9)</i>		06	136305	SWITCH, VARIABLE SPEED 1	
	103033	BLOWER MOTOR <i>(only)</i> 1		07	L50202	1/4"-20X5/8" BUTTN HD BOLT . . . 10	
02	L63545	GRILL, DEFROSTER 2		08	L500163	VALVE, WATER 1	
03	102944	INSTRUMENT PANEL 1		09	137503	LOUVER 1	
04	102945	DECAL, HEAT CONTROL 1		10	L500143	RESISTOR BLOCK 1	
05	103036	CONTROL, TEMPERATURE 1					
	L99983	KNOB ONLY AR					
						-- ITEMS NOT SHOWN--	
				00	NSS	5/8" HEATER HOSE (10') 1	
				00	L500161	HEATER HOSE CLAMP AR	

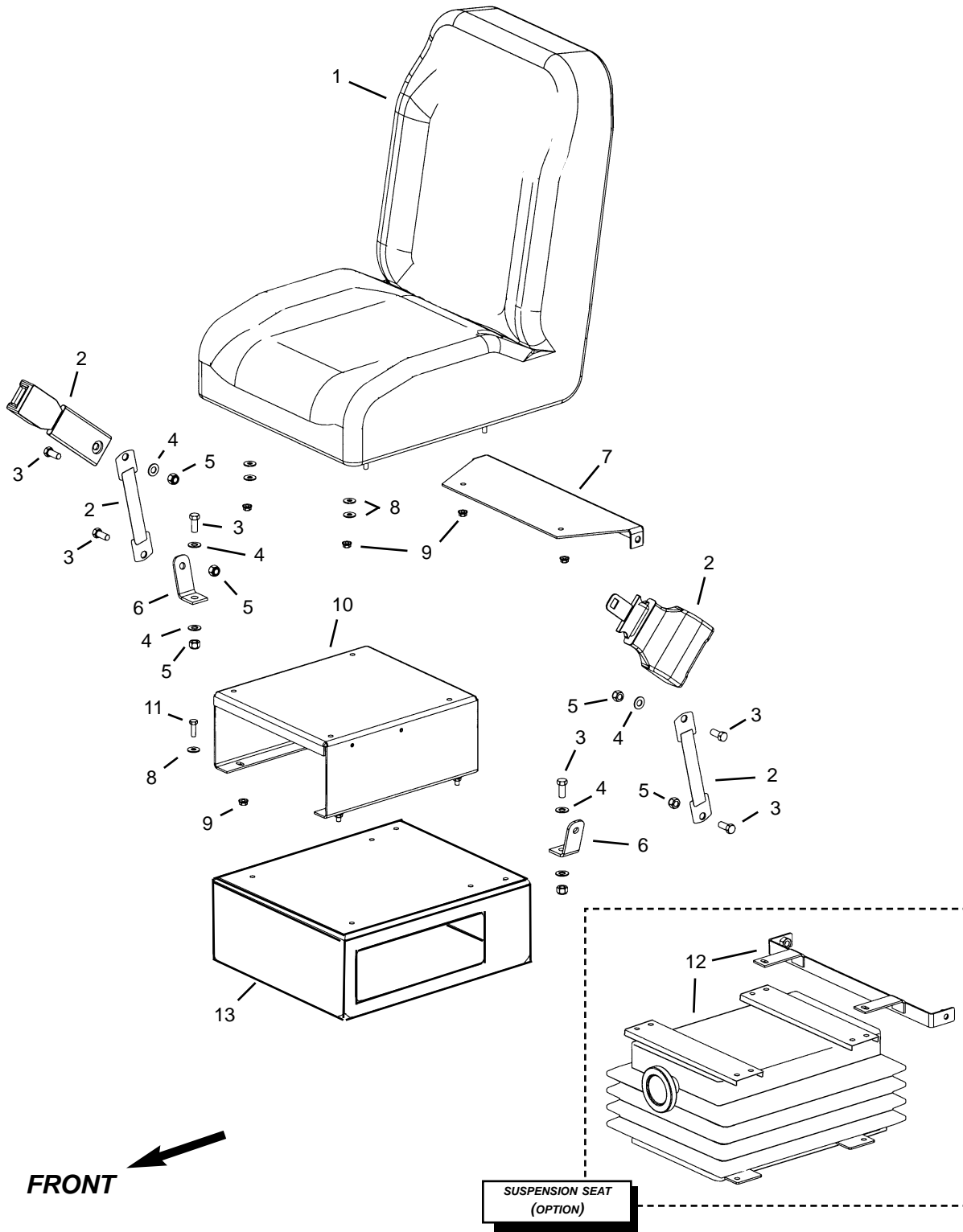


Telescopic Handler

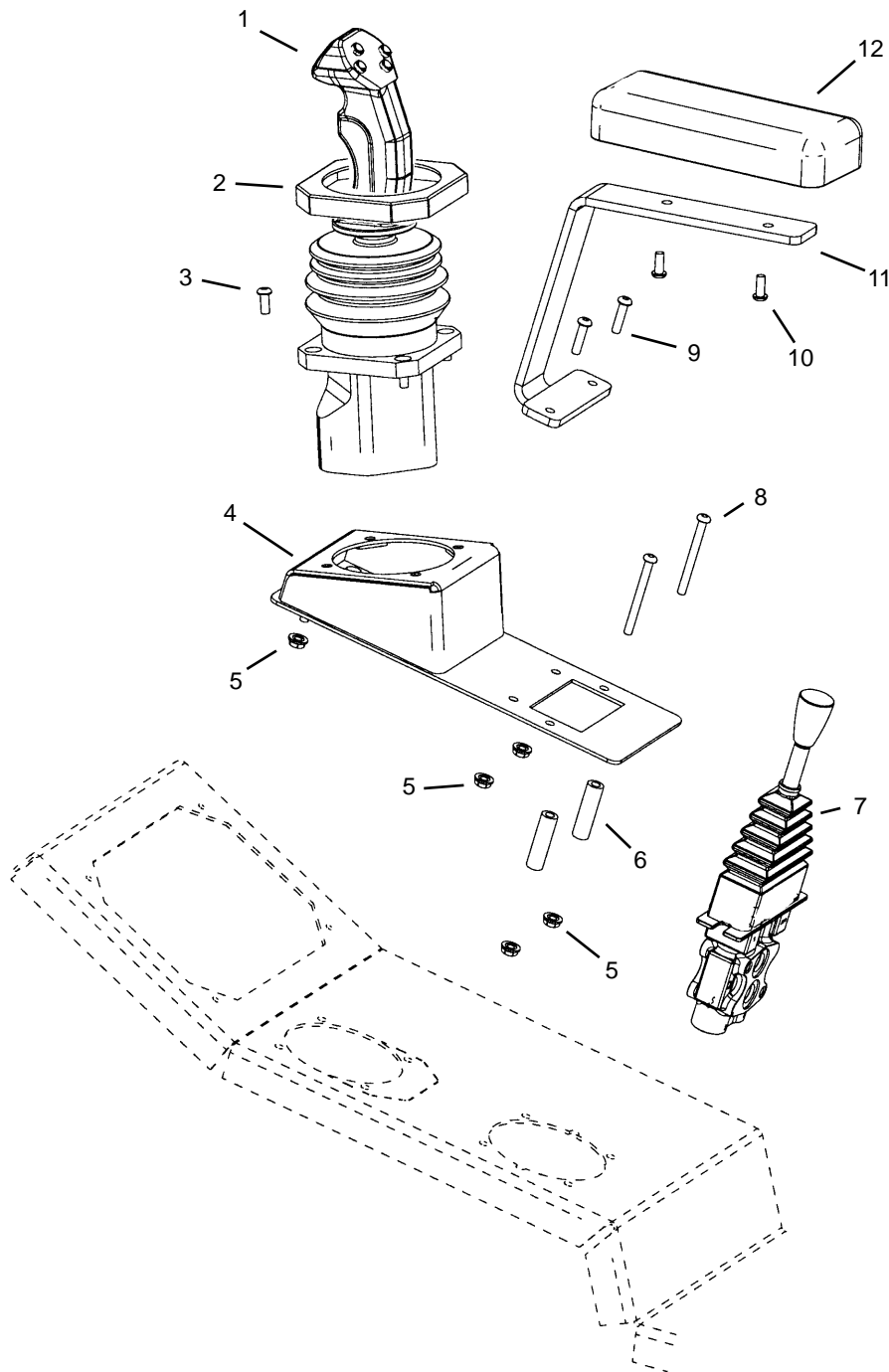
Cab

Steering Column Components

Ref. No.	Part No.	Description	Qty. Req.	Ref. No.	Part No.	Description	Qty. Req.
01	103359	CAP, STEERING WHEEL	1	08	L52026	3/8"-16X1-1/4" BUTTN HD BOLT . . .	4
02	L41261	NUT, STEERING WHEEL	1	09	101880	MOTOR, STEER	1
03	L69595	STEERING WHEEL	1	10	101877	MODULE, F-N-R SHIFTER.	1
04	L50101	M5X.8X35mm HX SKTHD BOLT . . .	2				
05	102783	COLUMN, STEERING.	1				
06	L68772	F-N-R/1-2-3 SHIFTER (<i>includes #7</i>)	1				
	L99425	BOOT	1				
07	105236	CLAMP, SHIFTER(<i>included w/ #6</i>) .	1				
						-- ITEMS NOT SHOWN--	
				00	102649	WIRE HARNESS, FNR SHIFTER. . .	1



Tri-Function Cab Components (Option)



Telescopic Handler

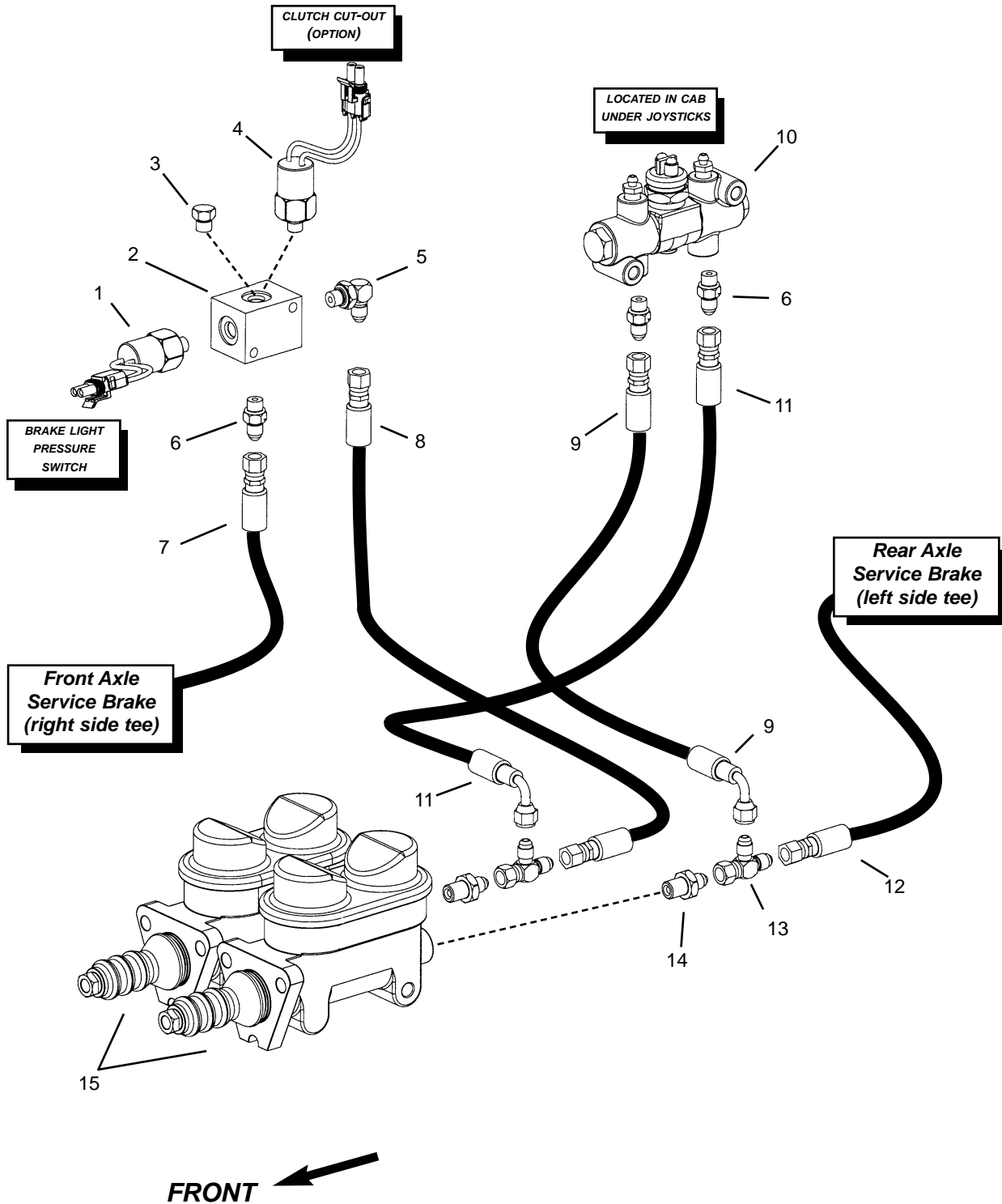
Cab

Tri-Function Cab Components (Option)

Ref. No.	Part No.	Description	Qty. Req.	Ref. No.	Part No.	Description	Qty. Req.
01	104083	CONTROLLER, 4 BTN/W TRIG . . .	1	06	104214	SPACER, LEVEL CONTROLLER . .	1
02	104304	BEZEL, JOYSTICK	1	07	102435	CONTROLLER, LEVEL	1
		<i>(included with item 1)</i>		08	104219	1/4"-20X2-1/2" BTN HD BOLT	2
03	L50202	1/4"-20X5/8" BTN HD BOLT	AR	09	L52024	1/4"-20X1" BTN HD BOLT	2
04	103582	JOYSTICK MOUNT	1	10	L52024	1/4"-20X1" BTN HD BOLT	2
05	L50051	1/4"-20 FLANGE LOCK NUT	AR	11	103708	BRACKET, ARM REST	1
				12	L69756	PAD, ARM REST	1

Cab Brake Valve

RS6-42/RS8-42/44



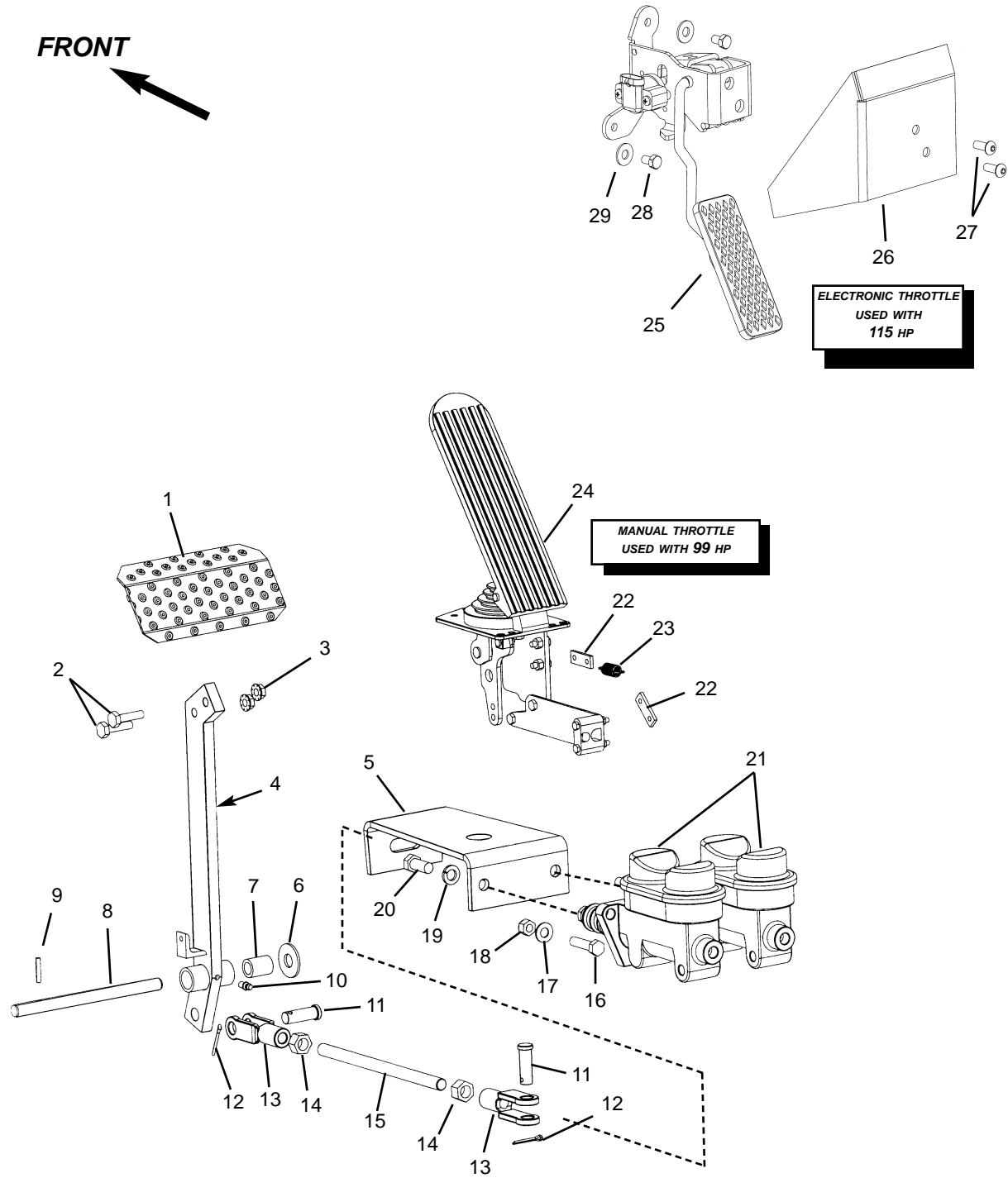
Telescopic Handler

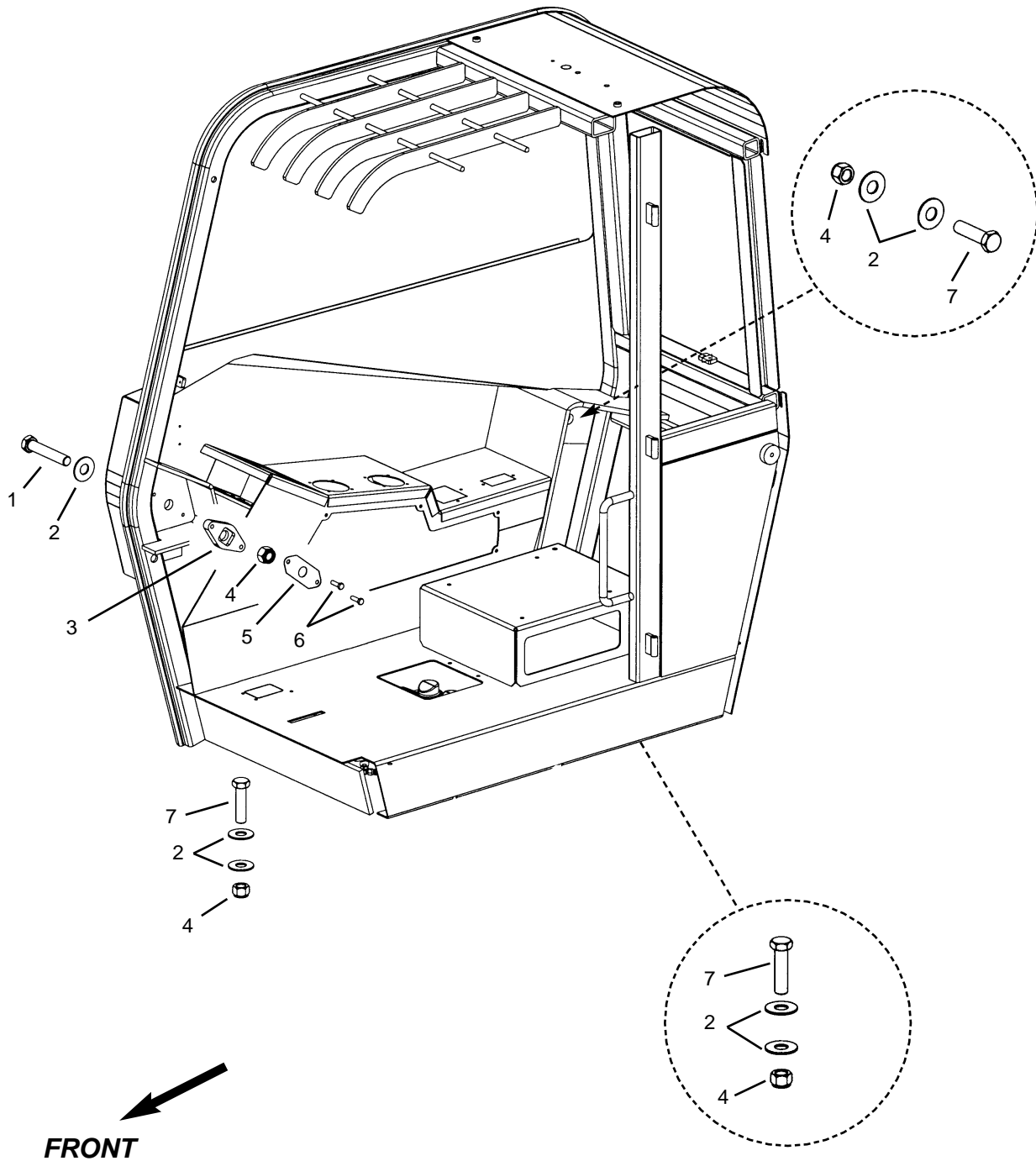
Cab Brake Valve

Ref. No.	Part No.	Description	Qty. Req.	Ref. No.	Part No.	Description	Qty. Req.
01	104428	SWITCH, PRESSURE 150 PSI....	1				
02	L70428	MANIFOLD, BRAKE LINE.....	1				
03 ^b	L60986	PLUG, -4ORM SAE	1				
04 ^a	104428	SWITCH, PRESSURE 150 PSI....	1				
05	L51591	ADAP, -40RM -4JICM 90 DEG	1				
06	L444005	ADAP, -4ORM -4JICM STR.....	3				
07	102842	HOSE, -4 A4/A6 66"	1				
08	102841	HOSE, -4 A4/A4 38"	1				
09	L63651	HOSE, -4 A4/DM4 17".....	1				
10 ^c	L63564	SWITCH, DIFF. PRESSURE.....	1				
11	104022	HOSE, -4 A4/DM4 20".....	1				
12	102840	HOSE, -4 A4/A6 90"	1				
13	L446044	ADAP, -4 SWIVEL TEE	2				
14	L62741	ADAP, HYDROMAX -4JICM STR..	2				
15	L63363	VALVE, MASTER CYLINDER.....	2				
						-- ITEMS NOT SHOWN--	
				00	L66162	WIRE, 16ga. 6"	1 (ground wire for item #20)
				a		<i>Units equipped with clutch cut-out option.</i>	
				b		<i>Units not equipped with clutch cut-out option.</i>	
				c		<i>Located in cab, inside of joystick access panel.</i>	

Brake and Accelerator Pedals

FRONT



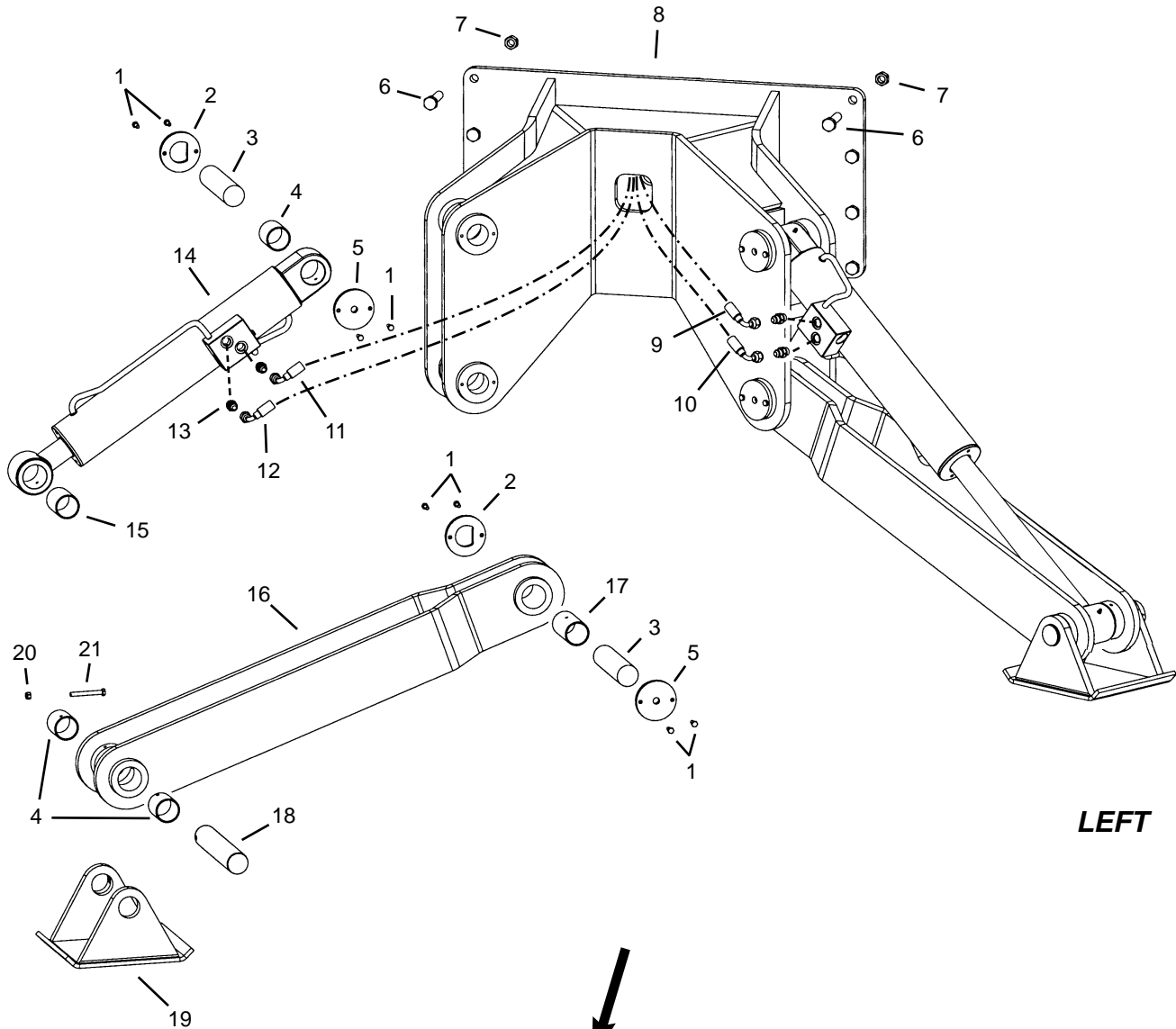


Telescopic Handler

Cab Mounts

Ref. No.	Part No.	Description	Qty. Req.	Ref. No.	Part No.	Description	Qty. Req.
01	102779	1"-8X5-1/2" GR8 BOLT	1	07	102883	1"-8X3-3/4" GR8 BOLT	3
02	102782	1" SAE FLAT WASHER	7				
03	102741	RETAINER, CANOPY NUT	1				
04	102781	1"-8 CLASS C LOCK NUT	4				
05	101667	WASHER, CANOPY NUT	1	00	L63813	-- ITEMS NOT SHOWN-- HOLE PLUG, 2-1/2" DIA	1
06	L50403	3/8"-16X1-1/4" BOLT	2			(plugs hole in cab where side bolt attaches)	

RIGHT



LEFT

FRONT

Telescopic Handler

Chassis Outriggers (Option)

Ref. No.	Part No.	Description	Qty. Req.	Ref. No.	Part No.	Description	Qty. Req.
01	L50230	5/16"-18x3/4" BOLT	16	19	L64914	WLDMNT, OUTRIGGER PAD	2
02	L69725	CAP, PIN LOCK	4	20	L520005	3/8"-16 CNTR LOCK NUT	2
03	L70621	PIN, PIVOT	4	21	L50275	3/8"-16X3" BOLT	2
04	L69138	BUSHING	6				
05	L69724	CAP, PIVOT PIN	4				
06	L50385	3/4"-10X3" BOLT GR8	8				
07	L50084	3/4"-10 STOVER LOCK NUT "C"	8				
08	102566	WLDMNT, OUTRIGGER MNT	1	00	101658	DECAL, OUTRIGGER CONTROL	1
09	L68807	HOSE, -6 A8/DS8 54"	1	00	L10465	ZERK, GREASE 1/4-28 STR	AR
10	L68807	HOSE, -6 A8/DS8 54"	1				
11	L68807	HOSE, -6 A8/DS8 54"	1				
12	L68807	HOSE, -6 A8/DS8 54"	1				
13	L444004	ADAP, -8ORM -8JICM STR	4				
14	Note a	CYLINDER, OUTRIGGER	2				
15	L70618	BUSHING	2				
16	L70615	WLDMNT, OUTRIGGER LEG	2				
17	L70614	BUSHING	2				
18	L64963	PIN, PIVOT	2				

-- ITEMS NOT SHOWN --

00	101658	DECAL, OUTRIGGER CONTROL	1
00	L10465	ZERK, GREASE 1/4-28 STR	AR

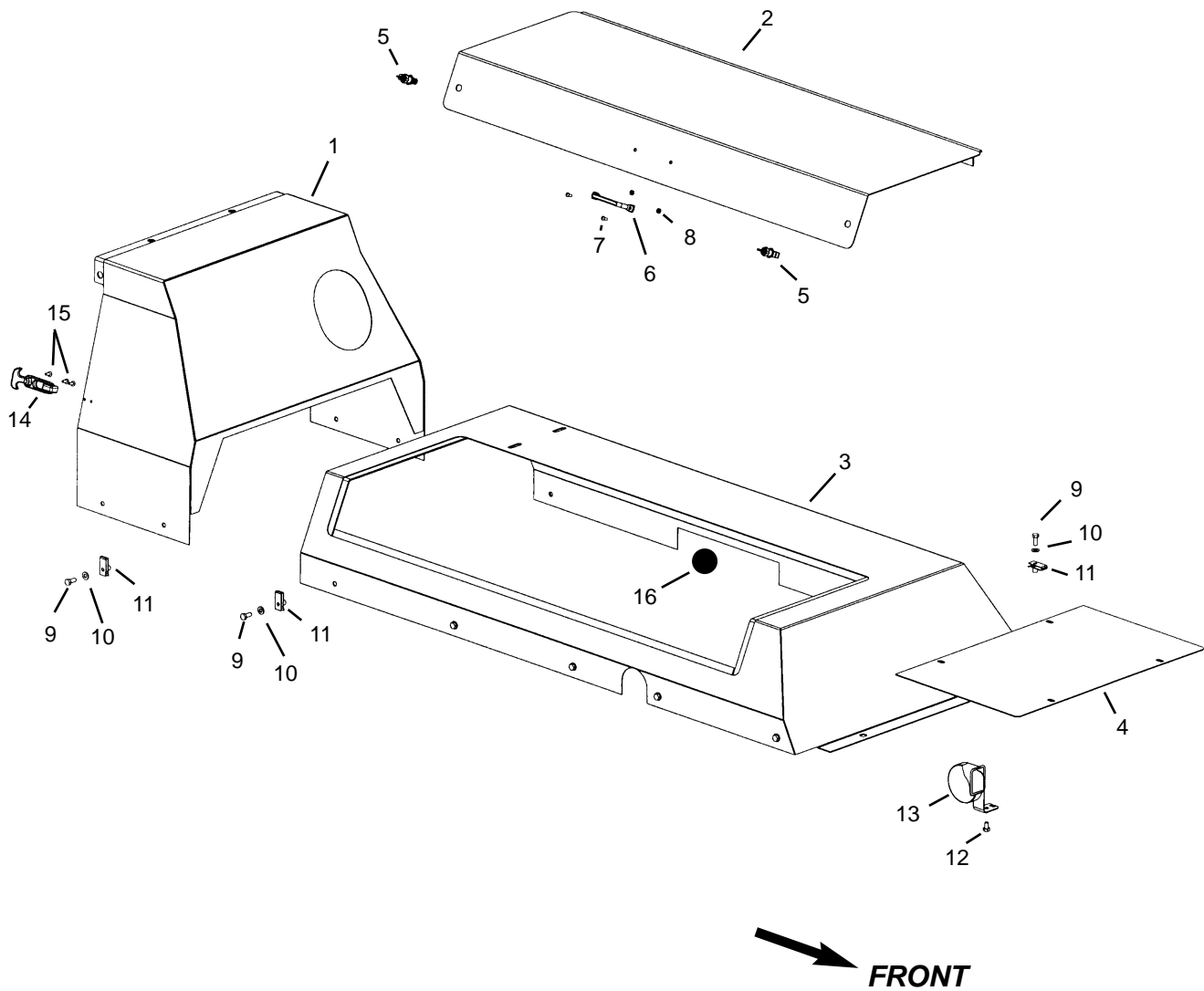
a Refer to Hydraulic Section for cylinder part number.

Note: Refer to Hydraulic Section for more information regarding the Outrigger control valve, hydraulic controller, cylinders and components.

HOSE LOCATOR

09	OUTRIGGER CYLINDER "LEFT SIDE" (extend)	OUTRIGGER VALVE LEFT SECTION (extend)
10	OUTRIGGER CYLINDER "LEFT SIDE" (retract)	OUTRIGGER VALVE LEFT SECTION (retract)
11	OUTRIGGER CYLINDER "RIGHT SIDE" (extend)	OUTRIGGER VALVE RIGHT SECTION (extend)
12	OUTRIGGER CYLINDER "RIGHT SIDE" (retract)	OUTRIGGER VALVE RIGHT SECTION (retract)

Note: For more information on hose routing for the Outrigger Option, refer to the Outrigger - Main Valve / Controller pages located in the Hydraulic Section of this manual.



Telescopic Handler

Chassis

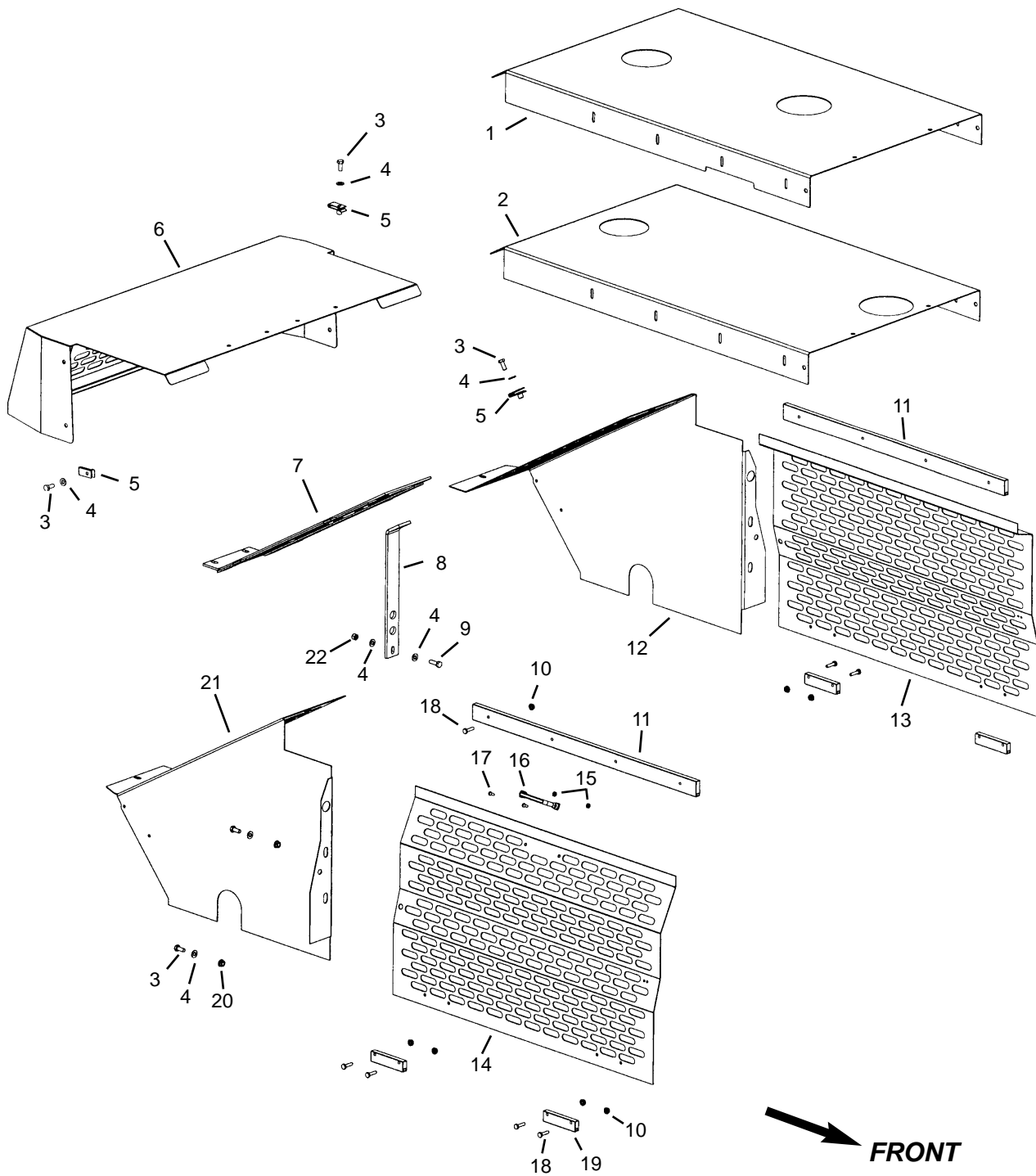
Hoods and Covers - Part 1 of 2

Ref. No.	Part No.	Description	Qty. Req.	Ref. No.	Part No.	Description	Qty. Req.
01	104961	HOOD, MID-SECTION	1	09	650486	5/16"-18X3/4" BOLT	AR
02	105037	COVER, ACCESS	1	10	650810	5/16" FLAT WASHER	AR
03	105039	HOOD, FRONT	1	11	L530004	5/16" RETAINED NUT CLIP	AR
04	102423	COVER, FRONT FRAME	1	12	650484	5/16"X1/2" BOLT	1
05	104222	LATCH	2	13	L41847	HORN, 12 VOLT	1
06	L64673	HANDLE	1	14	104225	LATCH, T-HANDLE	2
07	L50418	#10-32X1/2" SCREW	2	15	L50655	#10-24X1/2" SCREW	6
08	L50050	#10-32 NUT	2	16	105800	WEATHERSTRIP 18"	1

Chassis

RS6-42/RS8-42/44

Hoods and Covers - Part 2 of 2



Telescopic Handler

Chassis

Hoods and Covers - Part 2 of 2

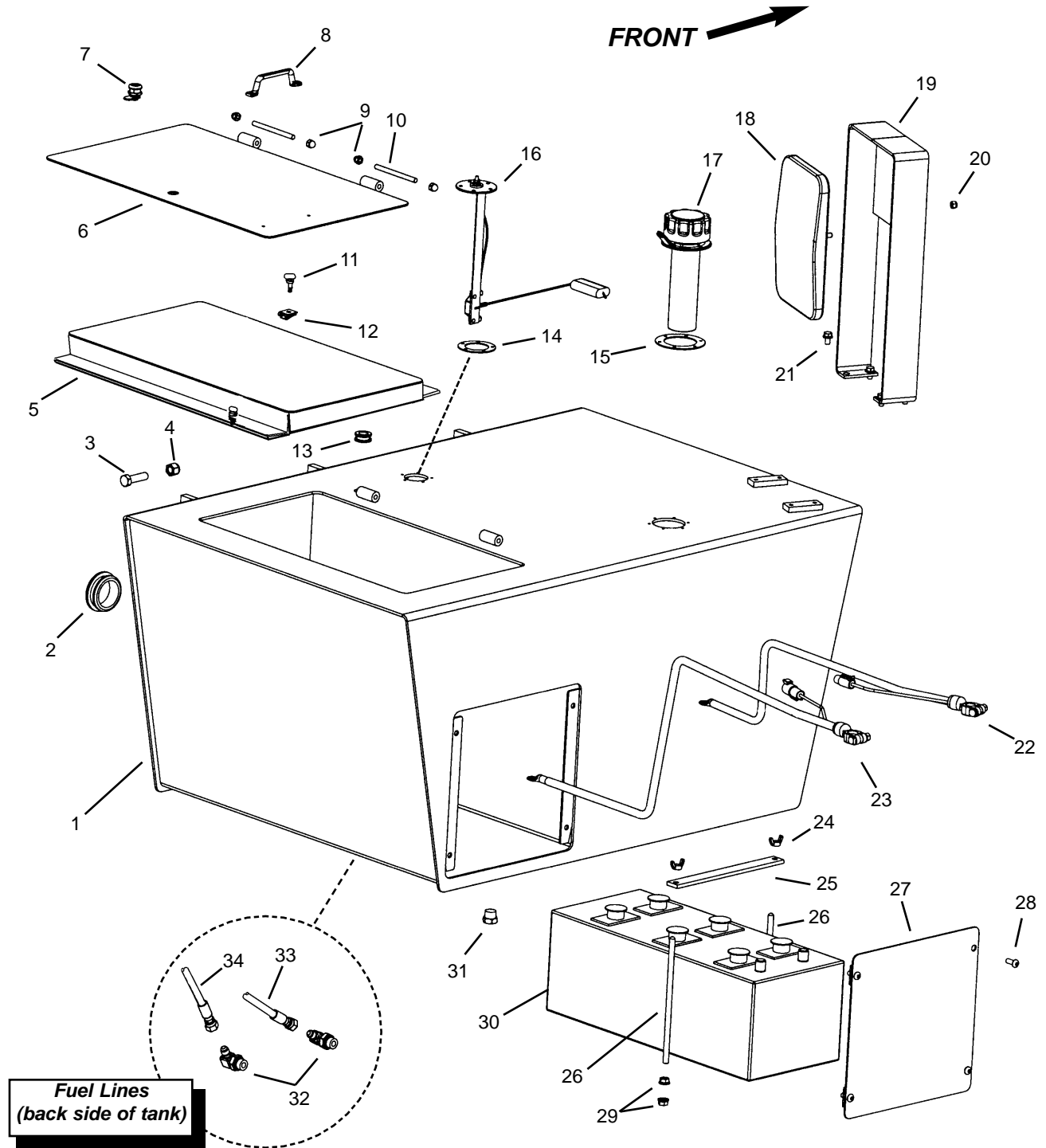
Ref. No.	Part No.	Description	Qty. Req.	Ref. No.	Part No.	Description	Qty. Req.
01 ^a	105569	HOOD, TOP (99 H.P. engines)	1	20	L50056	5/16" WHIZ NUT.	AR
02 ^a	104441	HOOD, TOP (115 H.P. engines) . . .	1	21	104439	PANEL, SIDE RADIATOR R.H.	1
03	650486	5/16"X3/4" BOLT.	AR	22	L520004	5/16" NUT.	AR
04	650810	5/16" FLAT WASHER.	AR				
05	L530004	FASTENER, RETAIN NUT.	AR				
06 ^b	102431	HOOD, REAR	1				
07	104457	BULKHEAD PANEL.	1	00	L50333	BOLT, COUNTERWEIGHT 3". . . .	AR
08	105128	BULKHEAD PANEL MOUNT.	1	00	L50519	NUT, COUNTERWEIGHT.	AR
09	650487	5/16"X1" BOLT	AR	00	L50684	BOLT, COUNTERWEIGHT 11". . .	AR
10	L50051	1/4" WHIZ NUT.	AR	00	L50084	NUT (for L50684 bolt).	AR
11	L65896	GUIDE, NYLATRON 28".	2				
12	104440	PANEL, SIDE RADIATOR L.H.	1				
13	105523	PANEL, ENGINE L.H.	1				
14	105524	PANEL, ENGINE R.H.	1	a		<i>Two different hoods are used based on the engine application; refer to the placement of the access holes in the top of the hood when ordering.</i>	
15	L50050	#10-32 NUT	AR				
16	L64673	HANDLE	2				
17	L50418	#10-32X1/2" SCREW	AR				
18	L50214	1/4"X1" BOLT	AR	b		<i>Refer to the Cab - Front and Rear Lights section for the taillights and back-up alarm.</i>	
19	L64695	SLIDE, NYLATRON 4".	4				

-- ITEMS NOT SHOWN --
(Counterweight)

Chassis

Fuel Tank and Battery

RS6-42/RS8-42/44



Telescopic Handler

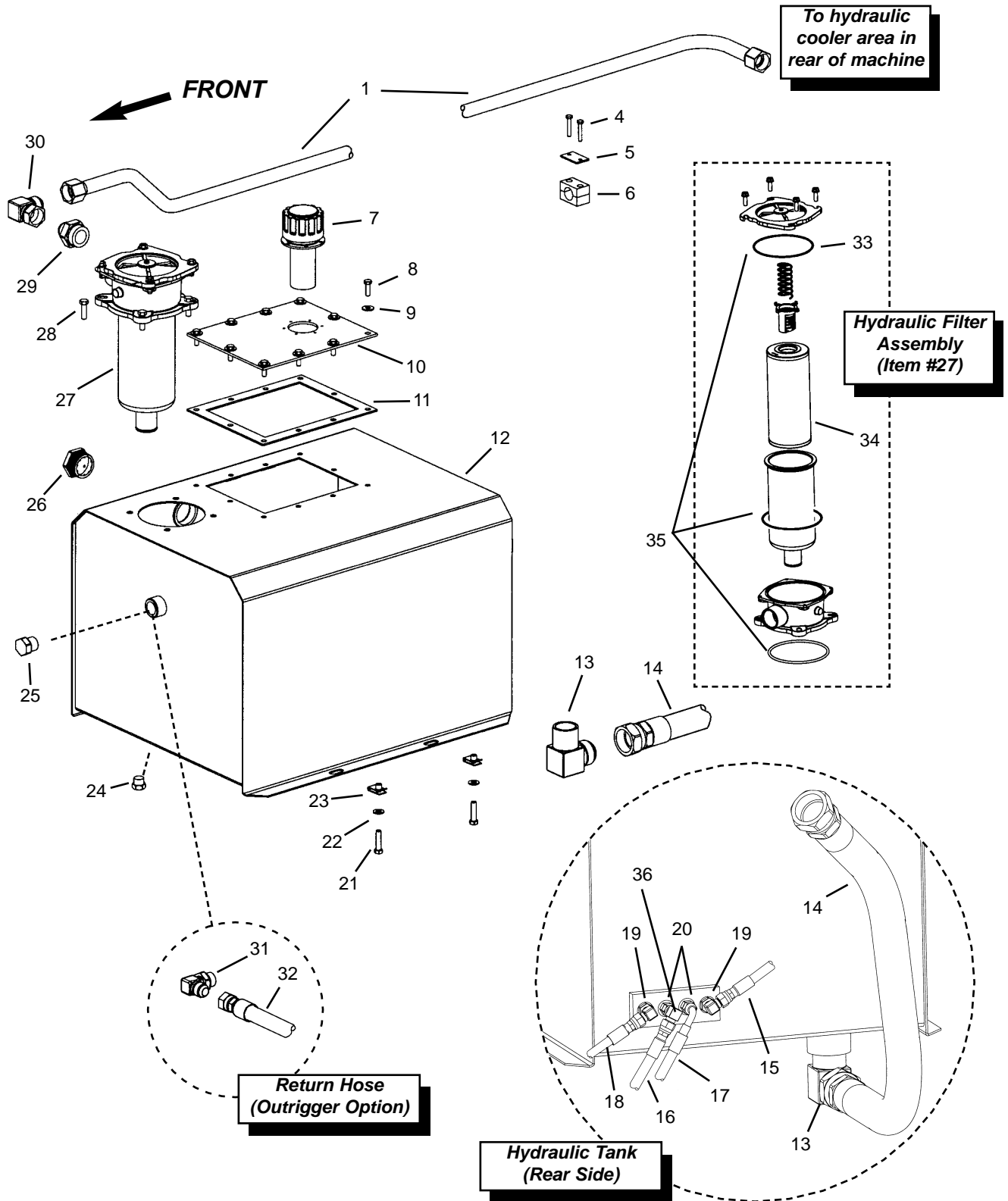
Chassis Fuel Tank and Battery

Ref. No.	Part No.	Description	Qty. Req.	Ref. No.	Part No.	Description	Qty. Req.
01	102505	WELDMENT, FUEL TANK.....	1	22		CABLE, NEG BATTERY	1
02	101567	GROMMET, FUEL TANK.....	1		101954	<i>Note a</i>	
03	L50286	1/2"-13X1-3/4" BOLT	6		101961	POWER PLUG, PLUG.....	1
04	L520019	1/2"-13 NYLON INSERT NUT.....	6		101962	#8 DEUTSCH SOCKET	1
05	103892	PLATE, TOOLBOX BOTTOM	1		L630001	<i>Note b</i>	
06	102506	TOOLBOX COVER, WELDMENT..	1	23		CABLE, POS BATTERY	1
	103208	GASKET (1/8"X1/2"X80").....	1		101955	<i>Note a</i>	
07	L70225	CAMLOCK.....	1		101960	POWER PLUG, RECEPTACLE...	1
	L99157	KEY ONLY (<i>stamped CH751</i>)....	1		101963	#8 DEUTSCH PIN.....	1
08	L64673	HANDLE, HOOD.....	1		L64362	<i>Note b</i>	
	L50418	#10-32X1/2" RND HD SCREW....	2	24	L530003	3/8"-16 WINGNUT.....	2
	L50050	#10-32 NUT	2	25	L61117	BATTERY HOLDDOWN BAR	1
09	L50755	5/16"-18 ACORN NUT	AR	26	L70146	ROD, BATTERY HOLDDOWN	2
10	L64672	STUD, HINGE	2	27	101463	PLATE, BATTERY ACCESS	1
11	L68133	SCREW, CAPTIVE	2	28	L52025	5/16"-18X3/4" BHSCS	4
	L68134	SCREW, RETAINER	2	29	L50061	3/8"-16 FLANGE NUT	4
12	L68135	SCREW, RECEPTACLE	2	30	NSS	12VDC BC1 4DLT BATTERY	1
13	L63546	GROMMET	1	31	L446025	ADAP, PLUG -8 ORING SAE	1
14	L41854	GASKET, SENDER	1	32	L445005	ADAP, -8ORM -6JICM 90	2
15	NSS	GASKET, FUEL CAP ASSEMBLY..	1	33	L68619	HOSE, 3/8" X 73" (<i>supply</i>)....	1
16	L61867	SENDER/FUEL LEVEL.....	1	34	102861	HOSE, 1/4" X 73" (<i>return</i>)....	1
		(<i>includes #14 Gasket</i>)					
17	104303	CAP/FUEL ASSEMBLY	1			-- ITEMS NOT SHOWN --	
		(<i>pressurized</i>)					
18	L63756	MIRROR, 6.5X10 CONVEX	1	00	L630004	GROUND STRAP	1
19	103991	MIRROR BRACKET	1				
20	L520003	1/4" NYLON INSERT NUT	1			<i>a</i>	<i>Units equipped with a 115 HP Tier III engine.</i>
21	081379	5/16"x1/2 FLAT LOCK BOLT.....	4				<i>(electronic throttle pedal)</i>
						<i>b</i>	<i>Units equipped with a 99 HP Tier II engine.</i>
							<i>(manual throttle pedal)</i>

Chassis

Hydraulic Tank

RS6-42/RS8-42/44



Telescopic Handler

Chassis Hydraulic Tank

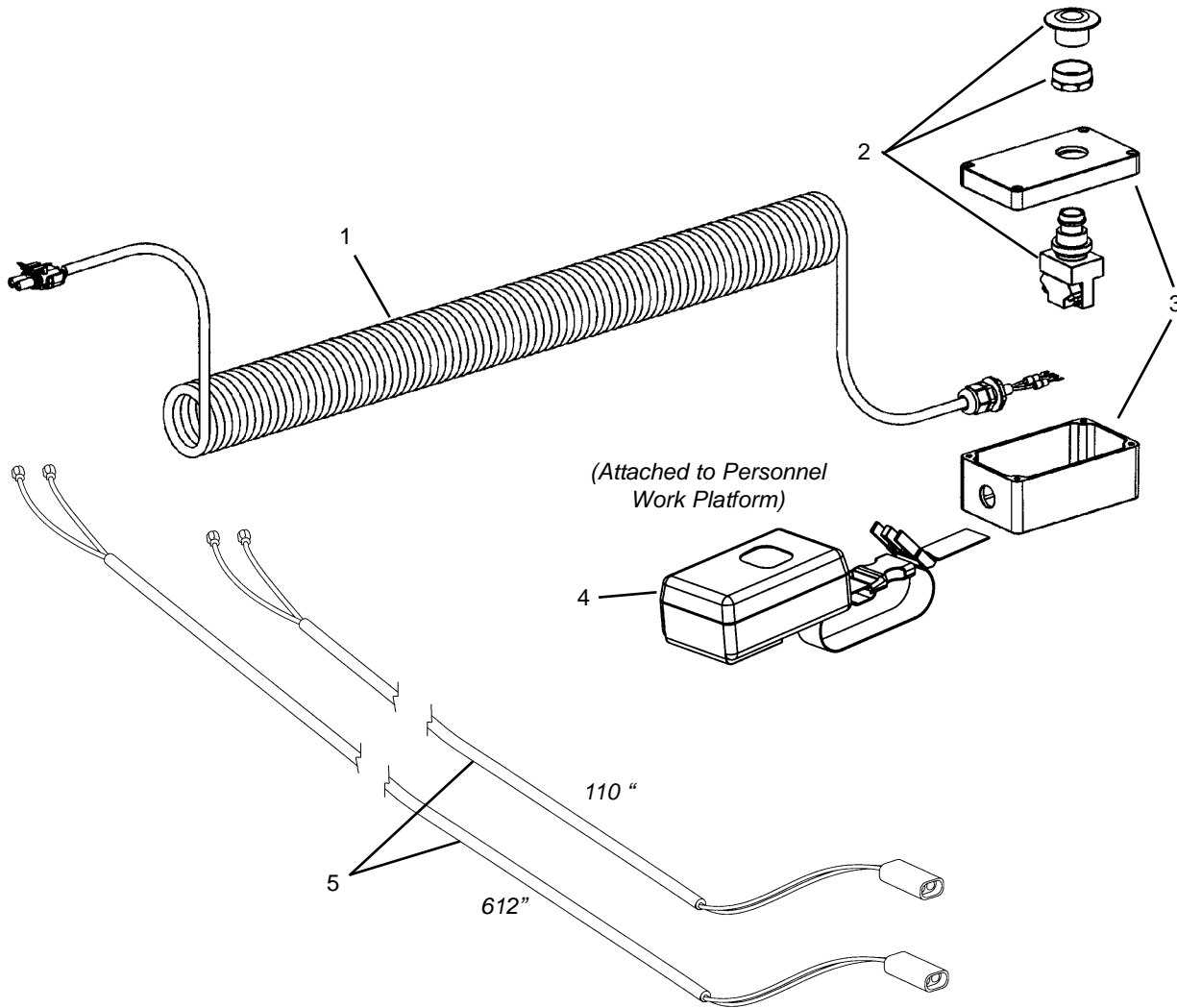
Ref. No.	Part No.	Description	Qty. Req.	Ref. No.	Part No.	Description	Qty. Req.
01	L64599	TUBE ASSEMBLY	1	27	101879	FILTER ASY.	1
04	L50364	1/4"-20X1-1/2" BOLT	2			<i>(Includes items 33-35)</i>	
05	102525	PLATE, TOP CUSHION.	1	28	L50403	3/8"-16X1-1/4" BOLT	4
06	102524	CLAMP, CUSHION TUBE	1	29	P472566	ADAP, -20ORM -16JICM STR.	1
07	P470472	FILL CAP ASSEMBLY	1	30	L64856	ADAP, -16JICM -16JICFS 90	1
08	L50823	5/16"-18X1" BOLT	10	31 ^b	L445001	ADAP, -12ORM -12JICM 90	1
09	L50141	5/16" FLAT WASHER	10	32 ^b	102813	HOSE, -12 A12/DS12 30"	1
10	L65142	ACCESS COVER	1	33	102964	O-RING, FILTER	1
11	L65144	GASKET	1	34	L97489	HYDRAULIC FILTER ELEMENT.	1
12 ^c	102194	HYDRAULIC TANK.	1	35	102965	SEAL KIT <i>(three o-rings)</i>	1
13	L442023	ADAP, -24JICM 24NPTM 90	1			<i>(includes item 33)</i>	
14	L63309	HOSE, -24 A24/A24 35"	1	36	L60653	ADAP, -6JICM -6JICFS 90	1
15	102946	HOSE, -4 A6/DS6 18"	1				
16	L69904	HOSE, 4 A6/DS6 20"	1				
17	102843	HOSE, -4 A6/D6 35"	1				
18	L63383	HOSE, -6 A6/DS8 52"	1				
19	L445003	ADAP, -6ORM -6JICM 90 DEG.	2				
20	L444002	ADAP, -6ORM -6JICM STR.	2				
21	L50261	3/8"-16X1-1/2" BOLT	2	00	L72419	ADAP, 1-1/2" NPT 90 ELBOW	1
22	L50145	3/8" FLAT WASHER	2	00	L61620	ADAP, 1-1/2" PIPE NIPPLE.	1
23	L65211	3/8"-16 RETAINED NUT	2	00	L49327	STRAINER, HYD. OIL.	1
24	L446025	PLUG, -8 ORING SAE.	1				
25 ^a	L446047	PLUG, -12 ORING SAE.	1				
26	134756	SIGHT GLASS.	1				

-- ITEMS NOT SHOWN --
(located inside hydraulic tank)

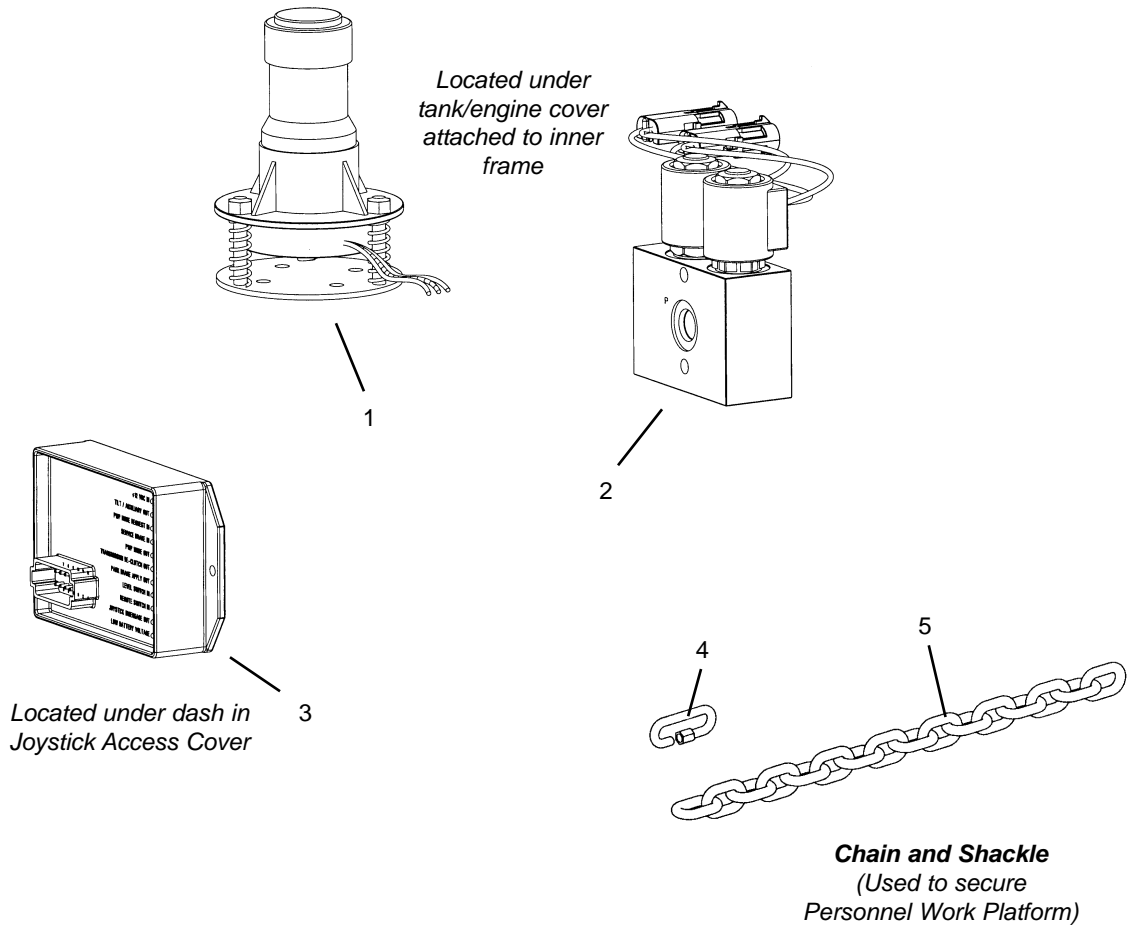
a Units not equipped with outriggers.
b Units equipped with outriggers.
c Includes all items listed under "Items Not Shown."
d Included with hydraulic tank: item #12.

HOSE LOCATOR

01	HYDRAULIC TUBE <i>(from hyd. tank)</i>	HYD. COOLER "UPPER"
14	HYDRAULIC TANK <i>(bottom)</i>	HYDRAULIC PUMP "IN"
15	HYDRAULIC TANK RETURN <i>(return manifold)</i>	FLOW DIVIDER "T"
16	HYDRAULIC TANK RETURN <i>(return manifold)</i>	PRIORITY VALVE "T"
17	HYDRAULIC TANK RETURN <i>(return manifold)</i>	JOYSTICK <i>(lift/extend controller)</i> "T"
18	HYDRAULIC TANK RETURN <i>(return manifold)</i>	STEER MOTOR "T"
32	HYDRAULIC TANK RETURN <i>(front)</i>	OUTRIGGER VALVE "OUT" <i>(return to tank)</i>



Ref. No.	Part No.	Description	Qty. Req.	Ref. No.	Part No.	Description	Qty. Req.
00	L71729	REMOTE SWITCH W/CABLE	1	04	L71750	REMOTE SWITCH POUCH	1
		<i>(Includes item 1-4)</i>		05	L71732	REMOTE SWITCH HARNESS	1
01	102408	CABLE ASSEMBLY	1			<i>(Consists of two cables)</i>	
02	L71726	REMOTE STOP SWITCH	1				
03	L71725	REMOTE SWITCH ENCLOSURE . . .	1				

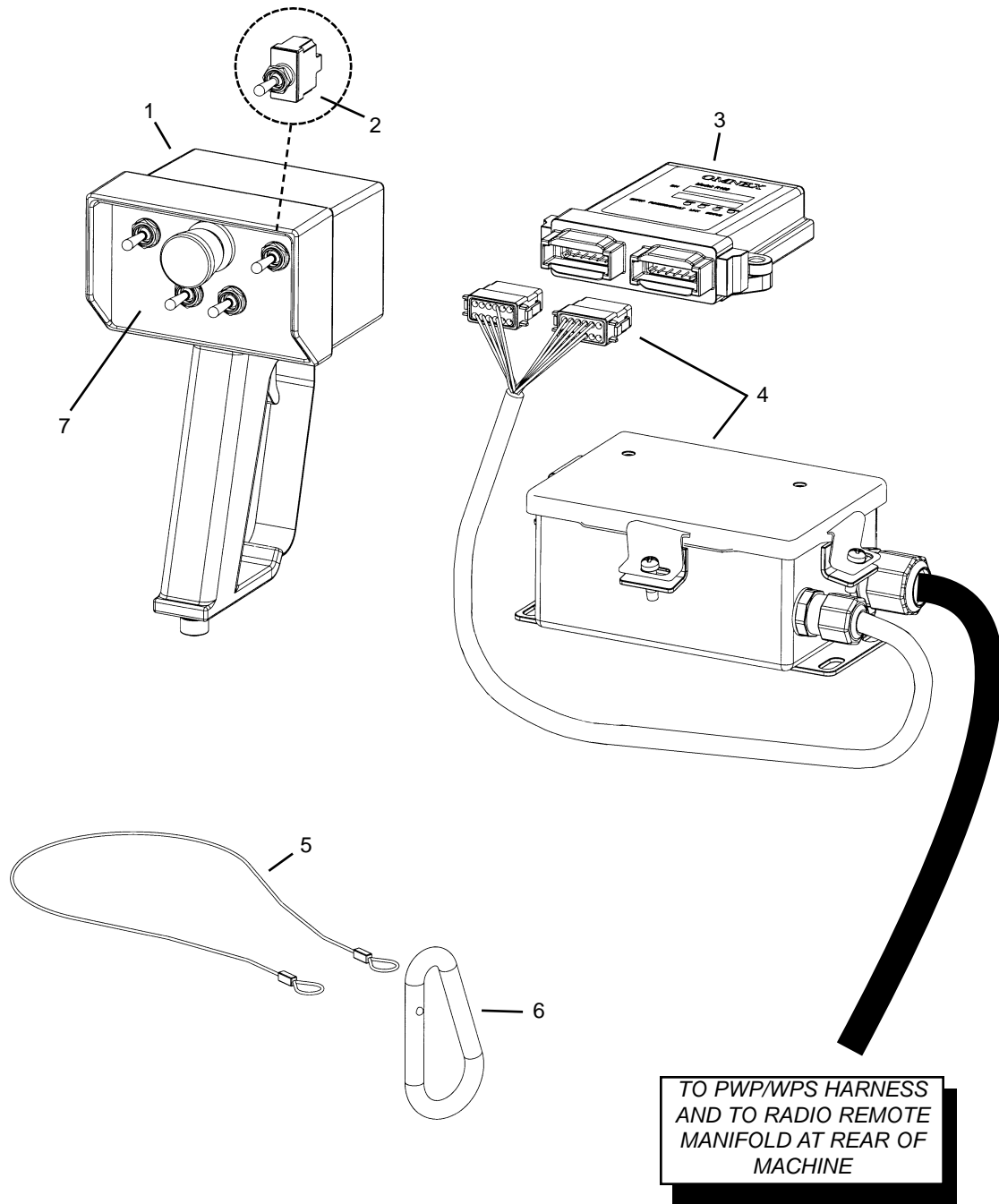


Ref. No.	Part No.	Description	Qty. Req.	Ref. No.	Part No.	Description	Qty. Req.
01	L71553	LEVEL SENSOR	1			-- ITEMS NOT SHOWN --	
02	102321	MANIFOLD, PWP/WPS	1	00	L71691	PWP/WPS SWITCH	1
03	104078	PWP/WPS CONTROL MODULE . .	1			(located on dash)	
04 ^a	L71752	5/16" CHAIN SHACKLE	1	00	104064	PWP/WPS WIRE HARNESS	1
05 ^a	L71751	5/16" CHAIN GR40 16 LINKS	1			(under dash and to level sensor)	

a Chain shackle and chain are used to secure the Personnel Work Platform.

Radio Remote Control Transmitter and Receiver

RS6-42/RS8-42/44



Telescopic Handler

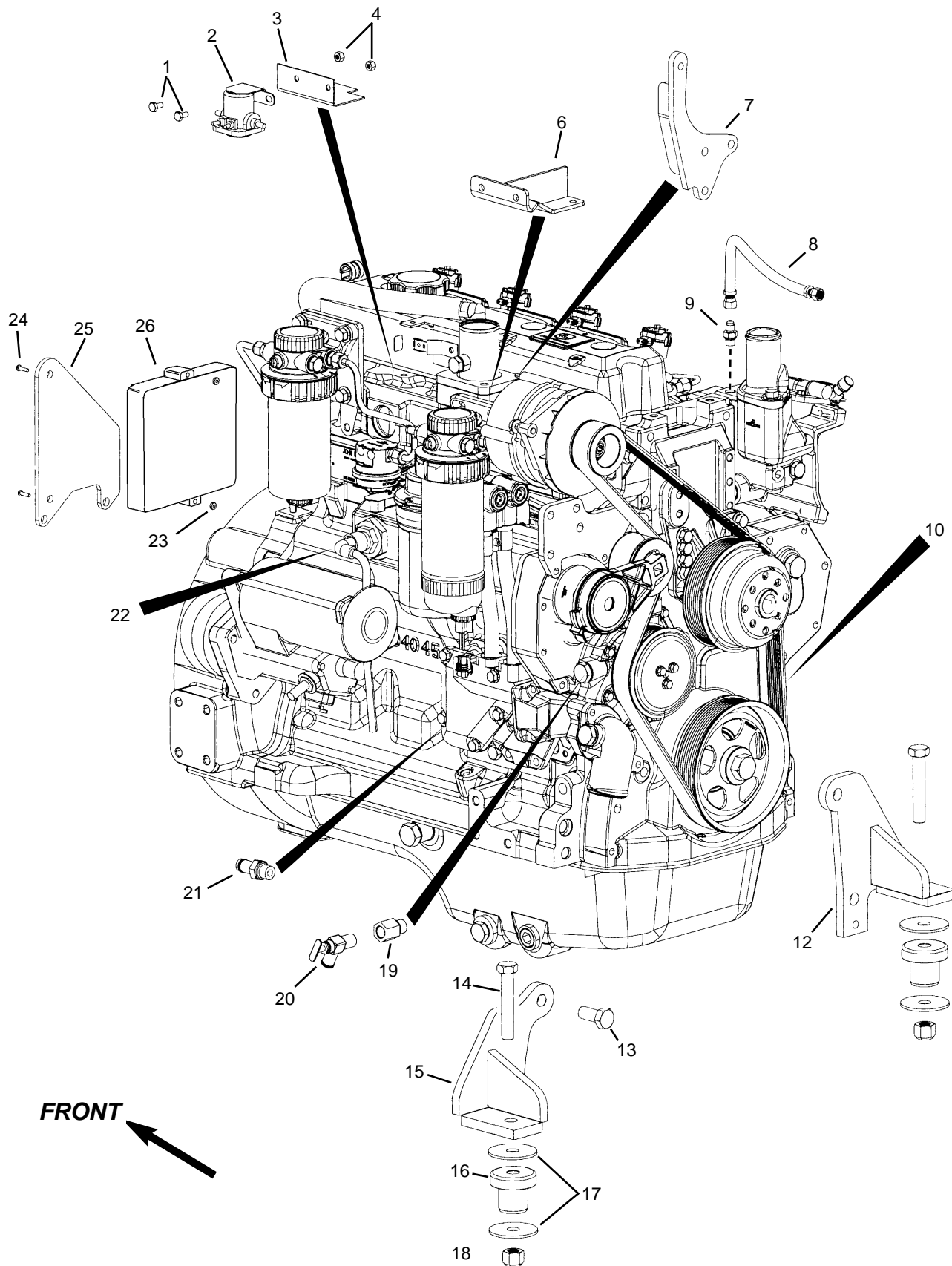
Radio Remote Control Transmitter and Receiver

Ref. No.	Part No.	Description	Qty. Req.	Ref. No.	Part No.	Description	Qty. Req.
00	103744	COMPLETE, RADIO REMOTE 1 <i>(Includes all items shown)</i>				-- ITEMS NOT SHOWN --	
01a	103479	REMOTE TRANSMITTER 1		00b	103424	HARNESS, RADIO REMOTE 1	
02	103482	SWITCH, TOGGLE 3 POS. MIL . . . 4		00c	104985	HARNESS, RADIO REMOTE 1	
03	103480	REMOTE RECEIVER 1					
04	NSS	ENCLOSURE / CIRCUIT BOARD. . 1		a		<i>Requires programming; refer to "Radio Remote Operators manual" included with the Radio Remote Control at the time of purchase.</i>	
05	103475	LANYARD <i>(wire cable)</i> 1		b		<i>Used on earlier models. This harness contains one relay and NO diodes. It also connects to the engine starter relay.</i>	
06	103476	SNAP RING, LANYARD 1		c		<i>Used on later models. This harness contains multiple diode packs, and connects to the ignition switch and start button inside the cab.</i>	
07	104675	LABEL 1					

Engine

RS6-42/RS8-42/44

External Components - 115 H.P. Engine



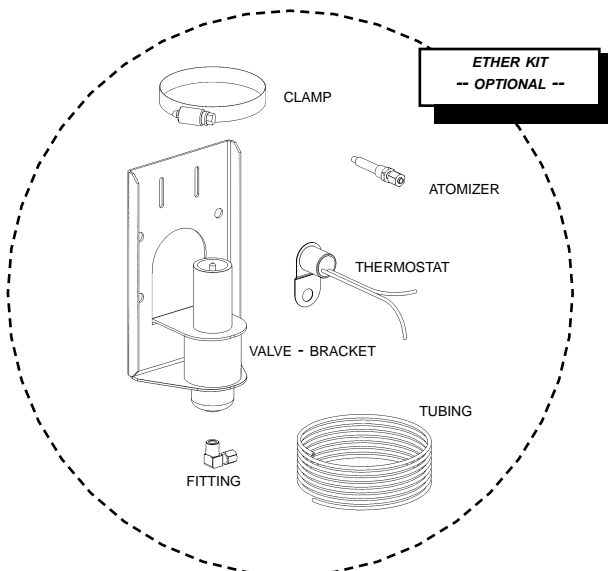
Telescopic Handler

Engine

External Components - 115 H.P. Engine

Ref. No.	Part No.	Description	Qty. Req.	Ref. No.	Part No.	Description	Qty. Req.
01	L50209	1/4"X1/2" BOLT	2	-- ITEMS NOT SHOWN --			
02	L41179	RELAY, ENGINE STARTER	1				
03	101924	MOUNT, RELAY	1	00	105571	HARNESS (ECU Interface)	1
04	L520003	1/4" NUT	2	00	105573	HARNESS (Throttle)	1
06	104981	FUEL FILTER MOUNT	1	(Ether - Optional)			
07	L68616	BRACKET, ALTERNATOR	1				
08	105192	ADAP., ST MJ04 MM12	1	00	102926	HARNESS, ETHER KIT	1
09	105193	HOSE, -4 FJSO4 FJSO4 20"	1	<i>(includes 21" BLU/WHT jumper wire)</i>			
10	105817	FAN BELT	1	00 ^a	L70629	ETHER KIT (optional)	1
12	102200	ENGINE MOUNT (right)	1	<i>(includes: thermostat, atomizer, valve bracket, fitting, clamp and tubing. Does not include ether canister.)</i>			
13	L50305	M16-2X35M BOLT GR8.8	4	00	L71081	SWITCH, ROCKER (ether)	1
14	L50319	5/8"-11X3-1/2" BOLT	2	<i>(located in dash panel)</i>			
15	102201	ENGINE MOUNT (left)	1	(Fuel Line)			
16	L64124	MOUNT, VIBRATION ISOLATOR	2				
17	L64197	WASHER, ISOLATOR MOUNT	4	00	104341	HOSE END, -5 JICF PUSHON	1
18	L520007	5/8"-11 NYLON INSERT NUT	2	00	L68619	HOSE, 3/8" X 73" (supply)	1
19	210049	ADAP, M18 -6NPTF STR (long)	1	00	102861	HOSE, 1/4" X 73" (return)	1
20	L99966	SHUTOFF, MANUAL/WATER	1	00	210047	ADAP., -6MFS -6FFSS 90 ⁰	1
21	L447005	ADAP, M18 10 BEAD STR	1				
22	L65570	ENGINE BLOCK HEATER (opt.)	1				
23	L50538	#8-32 NUT	2				
24	L50549	#8-32X5/8" SCREW	2				
25	104453	ECU MOUNT	1				
26	NSS	ECU (contact John Deere)	1				

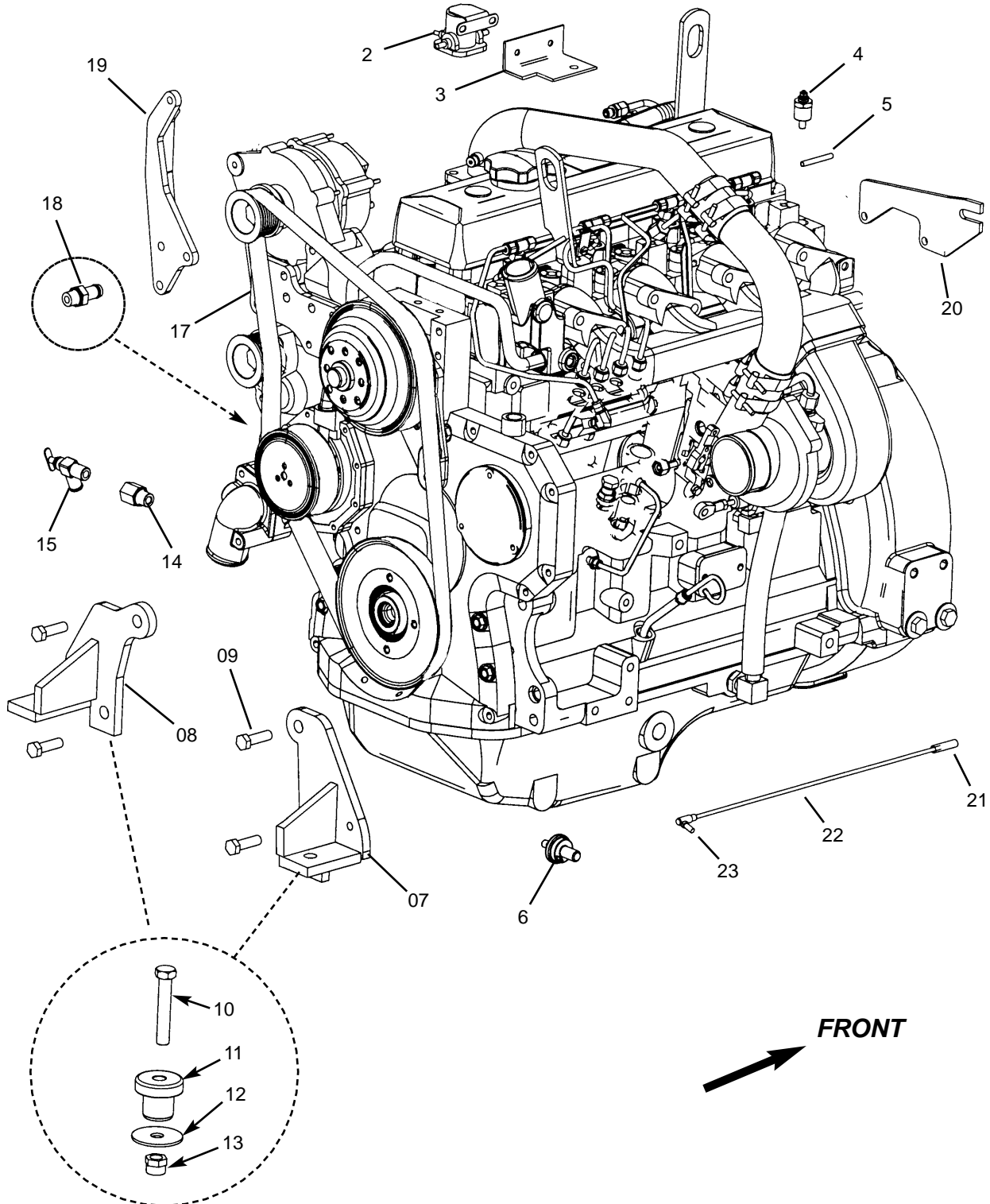
^a Ether canister assembly is located on the right-rear side of machine. Thermostat is located on engine block, and switch is located on dash.



Engine

External Components - 99 H.P. Engine

RS6-42/RS8-42/44



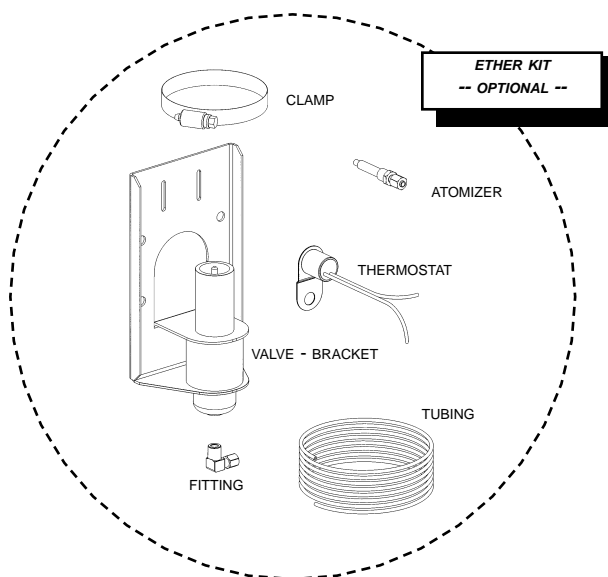
Telescopic Handler

Engine

External Components - 99 H.P. Engine

Ref. No.	Part No.	Description	Qty. Req.	Ref. No.	Part No.	Description	Qty. Req.
02	L41179	RELAY, ENGINE STARTER	1			-- ITEMS NOT SHOWN --	
03	L68571	MOUNT, RELAY	1	00	L65570	ENGINE BLOCK HEATER (opt.) . . . 1	
	L50209	1/4"X1/2" BOLT	1			(Throttle Cable)	
	L520003	1/4" NUT	2	00 ^b	L63420	CABLE, THROTTLE 1	
04	L64437	SENDER, WATER TEMP	1			(Electrical)	
05	L69166	FUEL LINE TUBE	1	00	105618	HARNESS, T2 INSTRUMENT 1	
06	103626	SENDER, OIL PRESSURE	1			(Ether - Optional)	
07	102200	ENGINE MOUNT (right)	1				
08	102201	ENGINE MOUNT (left)	1	00	102926	HARNESS, ETHER KIT 1	
09	L50305	M16-2X35M BOLT GR8.8	4			(includes 21" BLU/WHT jumper wire)	
10	L50319	5/8"-11X3-1/2" BOLT	2	00a	L70629	ETHER KIT (optional) 1	
11	L64124	MOUNT, VIBRATION ISOLATOR . . 2				(includes: thermostat, atomizer,	
12	L64197	WASHER, ISOLATOR MOUNT 2				valve bracket, fitting, clamp and	
13	L520007	5/8"-11 NYLON INSERT NUT 2				tubing. Does not include ether	
14	210049	ADAP, M18 -6NPTF STR (long) . . 1		00	L71081	SWITCH, ROCKER (ether) 1	
15	L99966	SHUTOFF, MANUAL/WATER	1			(located in dash panel)	
17	L68613	FAN BELT	1			(Fuel Line)	
18	L447005	ADAP, M18 10 BEAD STR	1	00	104341	HOSE END, -5 JICF PUSHON 1	
19	L68616	BRACKET, ALTERNATOR	1	00	L68619	HOSE, 3/8" X 73" (supply) 1	
20	105281	BRACKET, THROTTLE	1	00	102861	HOSE, 1/4" X 73" (return) 1	
21	L64664	COUPLER, ROD TO CABLE	1				
	L50050	#10-32 NUT	2				
22	L64663	ROD, THROTTLE EXTEND	1				
23		BALL JOINT #10-32	1				
	L580008	with 5/16" stud					
	L580009	with 1/4" stud					
	L50050	#10-32 NUT	1				

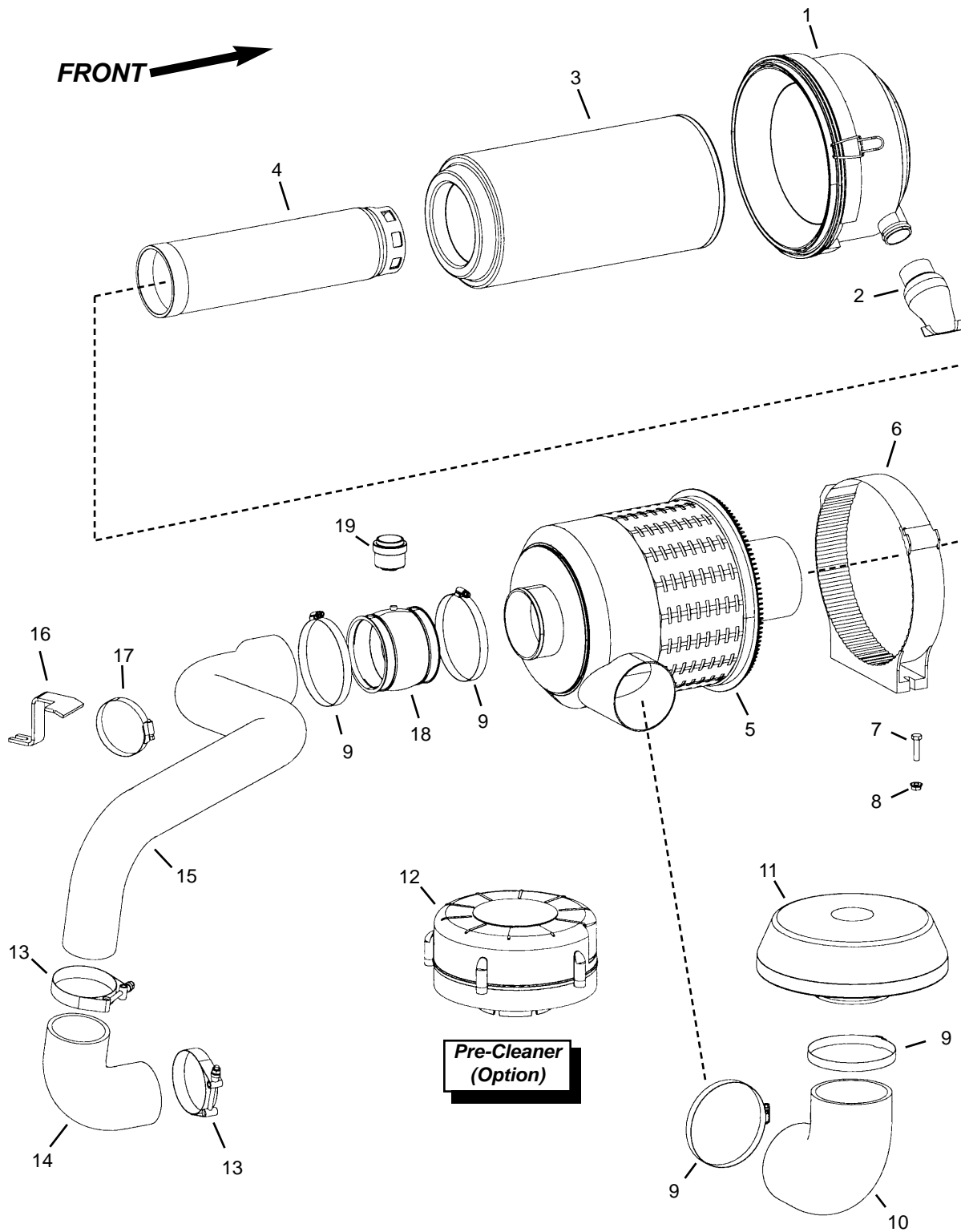
a Ether canister assembly is located on the right-rear side of machine. Thermostat is located on engine block, and switch is located on dash.



Engine

Air Intake - 115 H.P. Engine

RS6-42/RS8-42/44



Telescopic Handler

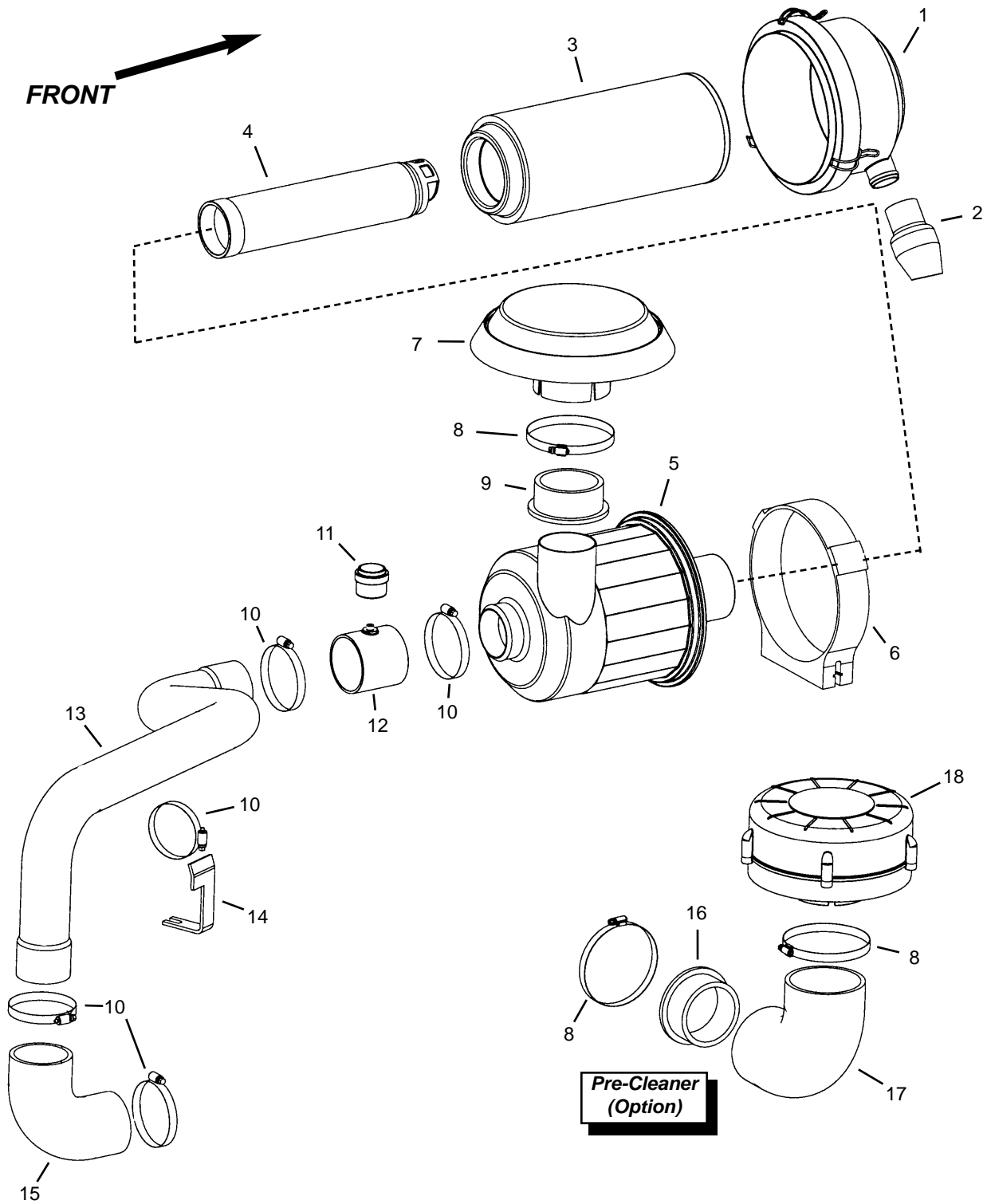
Engine Air Intake - 115 H.P. Engine

Ref. No.	Part No.	Description	Qty. Req.	Ref. No.	Part No.	Description	Qty. Req.
00	105073	AIR CLEANER ASSEMBLY.1 (Includes 1-5.)		10	L64864	90° RUBBER ELBOW, 4" DIA.1	
01	NSS	END CAP1		11	105075	INLET HOOD/CAP1	
02	137659	EJECTOR/DUST1		12	101926	PRE-CLEANER (option)1	
03	105070	ELEMENT, PRIMARY1		13	L70467	CLAMP, T-BOLT 3-1/2"2	
04	105071	ELEMENT, SECONDARY1		14	L120041	90° RUBBER ELBOW, 3" DIA.1	
05	NSS	HOUSING, AIR CLEANER1		15	105076	INTAKE TUBE1	
06	105059	CLAMP, AIR CLEANER MOUNT ..1		16	104464	BRACKET, AIR INTAKE1	
07	650545	5/6"X1-1/4" BOLT2		17	L51099	CLAMP, #52 SAEAR	
08	L50056	5/16" NUT2		18	105072	COUPLER, 4" w/TAP1	
09	L51781	ADJUST. CLAMP, #72AR		19	183629	INDICATOR, RESTRICTION 30in. .1	

Engine

Air Intake - 99 H.P. Engine

RS6-42/RS8-42/44

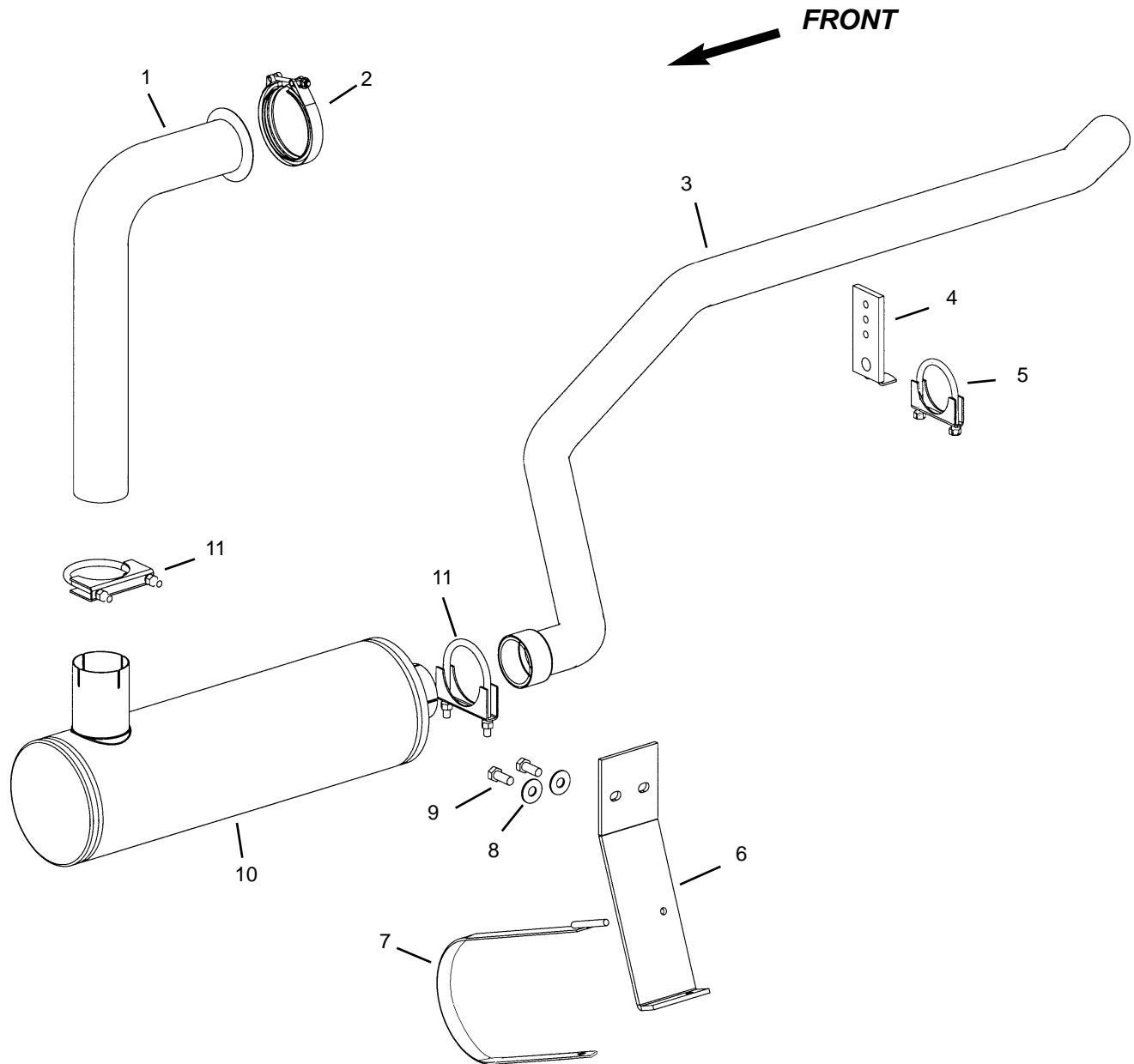


Telescopic Handler

Engine

Air Intake - 99 H.P. Engine

Ref. No.	Part No.	Description	Qty. Req.	Ref. No.	Part No.	Description	Qty. Req.
00	136383	AIR CLEANER ASSEMBLY.1 (Includes 1-5)		09	103088	REDUCER, 3.84" - 3.25"1	
01	NSS	END CAP1		10	L51099	CLAMP, #52 SAEAR	
02	137659	EJECTOR/DUST1		11	183629	INDICATOR, RESTRICTION 30in. .1	
03	137498	ELEMENT, PRIMARY1		12	103271	ADAPTER, RUBBER W/TAP1	
04	137501	ELEMENT, SECONDARY1		13	L68545	INTAKE TUBE1	
05	NSS	HOUSING, AIR CLEANER1		14	102535	BRACKET1	
06	136443	CLAMP, AIR CLEANER MOUNT ..1		15	L120041	90° RUBBER ELBOW, 3" DIA.1	
	L50235	5/16"X1-1/4" BOLT2				-- OPTIONAL PRECLEANER --	
	L50056	5/16" WHIZ NUT2		16	102974	REDUCER, 4" - 3"1	
07	L64863	INLET HOOD/CAP1		17	L64864	90° RUBBER ELBOW, 4" DIA.1	
08	L51781	ADJUST. CLAMP, #72AR		18	101926	PRECLEANER1	



Telescopic Handler

Engine Exhaust

Ref. No.	Part No.	Description	Qty. Req.	Ref. No.	Part No.	Description	Qty. Req.
01		PIPE, OUTLET EXHAUST	1	09	L50705	M12-1.75X30 C8 BOLT	2
	105214	<i>Note a</i>		10		MUFFLER	1
	L68544	<i>Note b</i>			104976	<i>Note a</i>	
02	L99434	TURBO CLAMP	1		L64821	<i>Note b</i>	
03		TAIL PIPE	1	11	L60492	CLAMP 3"	2
	104460	<i>Note a</i>					
	L65018	<i>Note b</i>					
04	L64764	HANGER	1			-- ITEMS NOT SHOWN --	
	L50261	3/8"-16X1-1/2" BOLT	1	00		CATALYTIC PURIFIER (option) ...	1
	L50145	3/8" FLAT WASHER	1		105820	<i>Note a</i>	
	L520005	3/8"-16 NYLON INSERT NUT	1		L68796	<i>Note b</i>	
05		MUFFLER CLAMP	1				
	L60492	<i>Note a (3")</i>					
	L120047	<i>Note b (2-1/2")</i>					
06	L64572	BRACKET	1				
07		STRAP	1				
	104978	<i>Note a</i>					
	L64572	<i>Note b</i>					
	L50367	3/8"-16X1" BOLT	1				
	L50145	3/8" FLAT WASHER	1				
	L520005	3/8"-16 NYLON INSERT NUT	1				
08	L50151	1/2" FLAT WASHER	2				

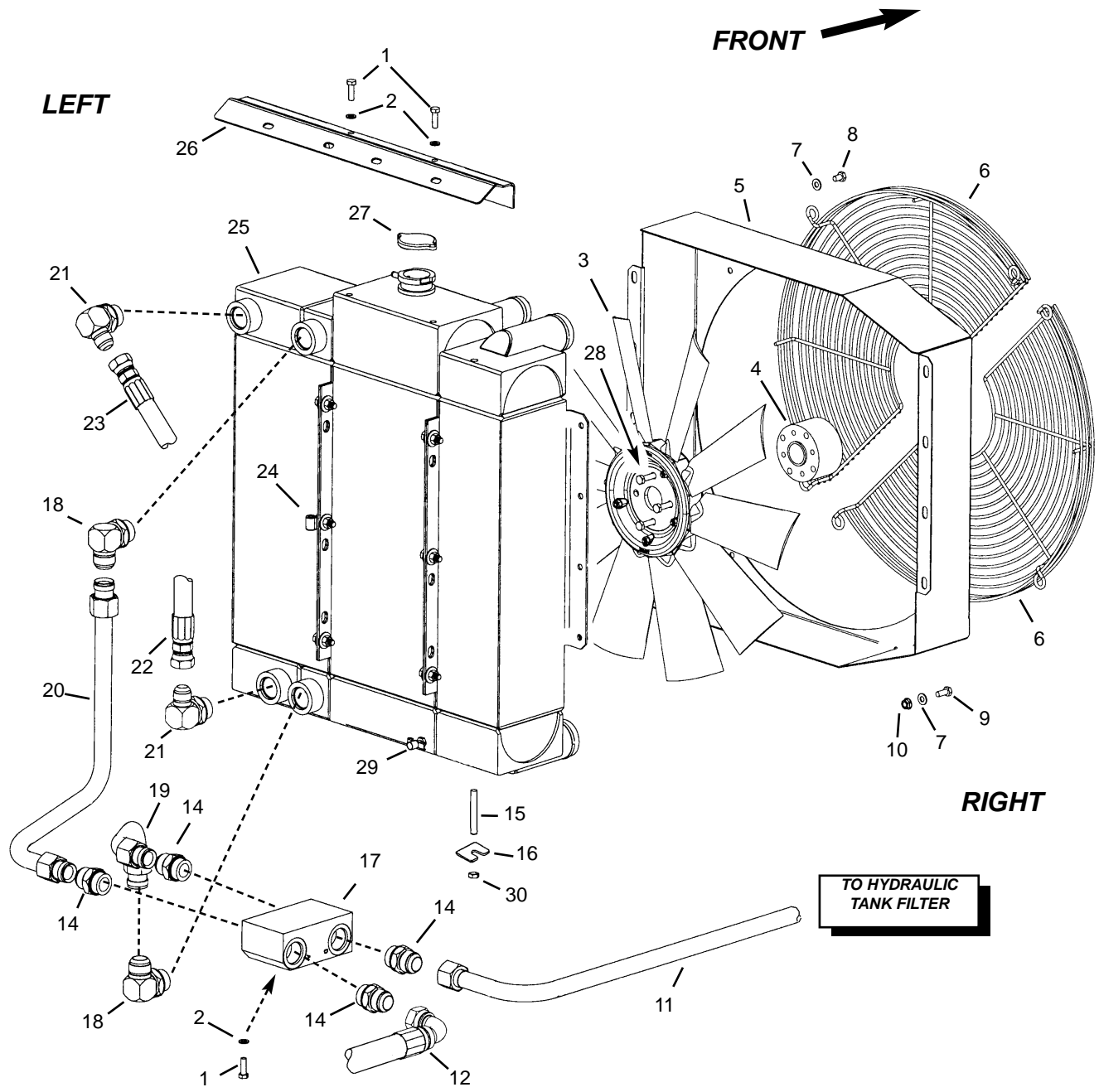
*a Units equipped with a 115 H.P. engine.
(electronic throttle pedal)*

*b Units equipped with a 99 H.P. engine.
(manual throttle pedal)*

Engine

RS6-42/RS8-42/44

Radiator and Coolers (115 H.P. Engine) - Part 1 of 2



**Radiator and Coolers
for
115 H.P. Engine**

Telescopic Handler

Engine

Radiator and Coolers (115 h.p. Engine) - Part 1 of 2

Ref. No.	Part No.	Description	Qty. Req.	Ref. No.	Part No.	Description	Qty. Req.
01	650487	5/16"-18X1" BOLT	AR	17	102072	COLD START BYPASS	1
02	654024	5/16" LOCK WASHER	AR	18	L51621	ADAP., -16ORM -16JICM 90°.	2
03	104454	FAN, SUCTION 22"	1	19	105624	TUBE, LOWER (HOC)	1
04	L70521	SPACER, FAN 2"	1	20	105623	TUBE, UPPER (HOC)	1
05	105563	FAN SHROUD	1	21	L61092	ADAP., -16ORM -12JICM 90°.	2
06	104455	FAN GUARD	2	22	102850	HOSE, -12 A12/DS12 102"	1
07	650810	5/16" FLAT WASHER	AR	23	L63406	HOSE, -12 A12/DS12 114"	1
08	650484	5/16"X1/2" BOLT	AR	24	L47212	CLAMP, VINYL 3/8"	1
09	650486	5/16"X3/4" BOLT	AR	25 ^a	104436	RADIATOR/COOLER ASSY.	1
10	L50056	5/16"-18 WHIZ NUT	AR	26	104458	MOUNT, TOP HOOD	1
11	L64599	TUBE ASSEMBLY	1	27 ^a	104932	RADIATOR CAP	1
12	105691	HOSE, -16 A16/DS16 29"	1	28	656117	M10-1.5X70, BOLT	4
		(To main valve.)	1	29	L40805	RADIATOR DRAIN VALVE	1
14	L51590	ADAP., -16ORM -16JICM ST.	4	30	L50061	3/8" WHIZ LOCK NUT.	4
15	210148	3/8"-16X2" STUD	4				
16	210149	3/8" SHIM, SLOTTED	4				

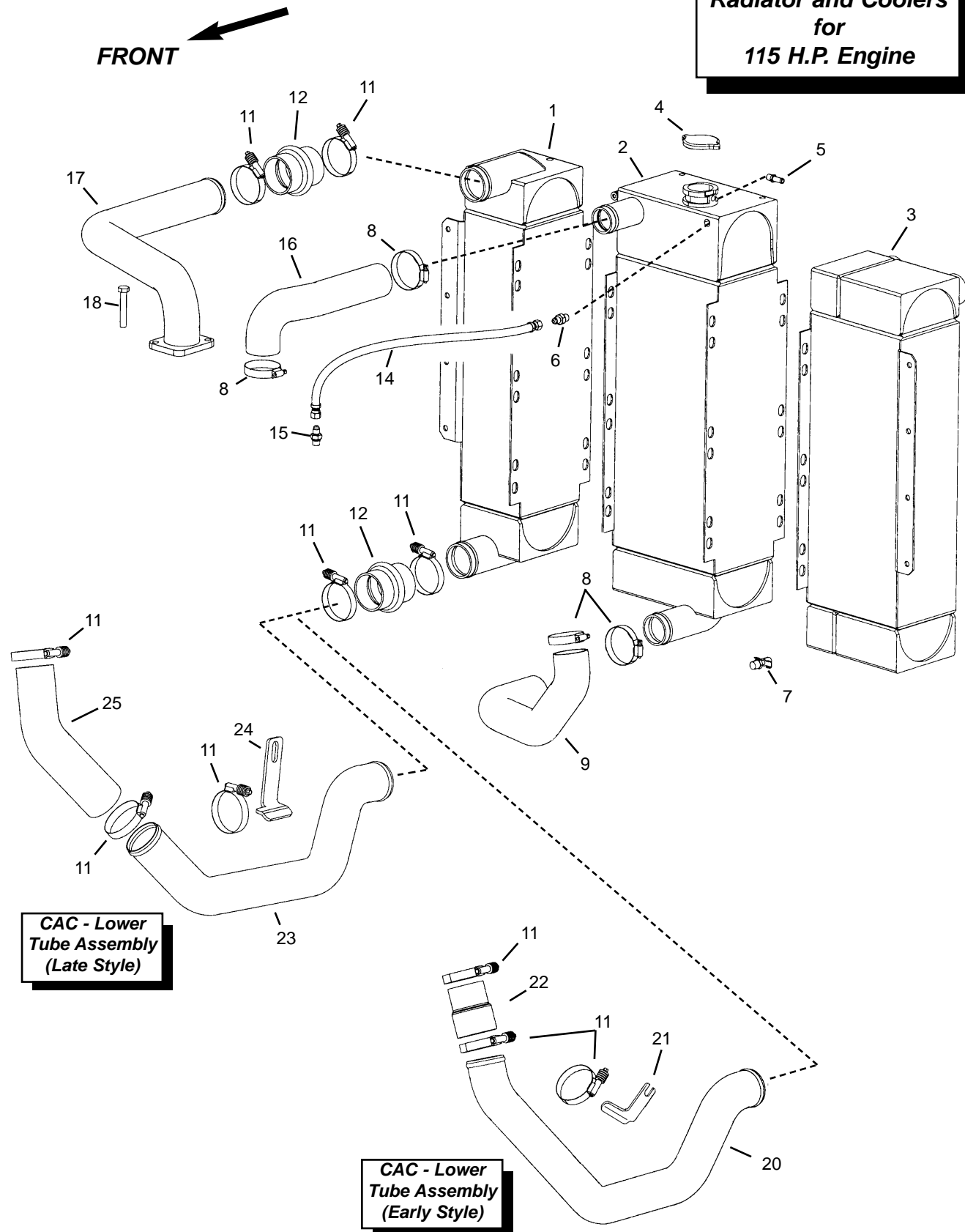
a Radiator cap included with radiator assembly.

Engine

RS6-42/RS8-42/44

Radiator and Coolers (115 H.P. Engine) - Part 2 of 2

**Radiator and Coolers
for
115 H.P. Engine**



Telescopic Handler

Engine

Radiator and Coolers (115 h.p. Engine) - Part 2 of 2

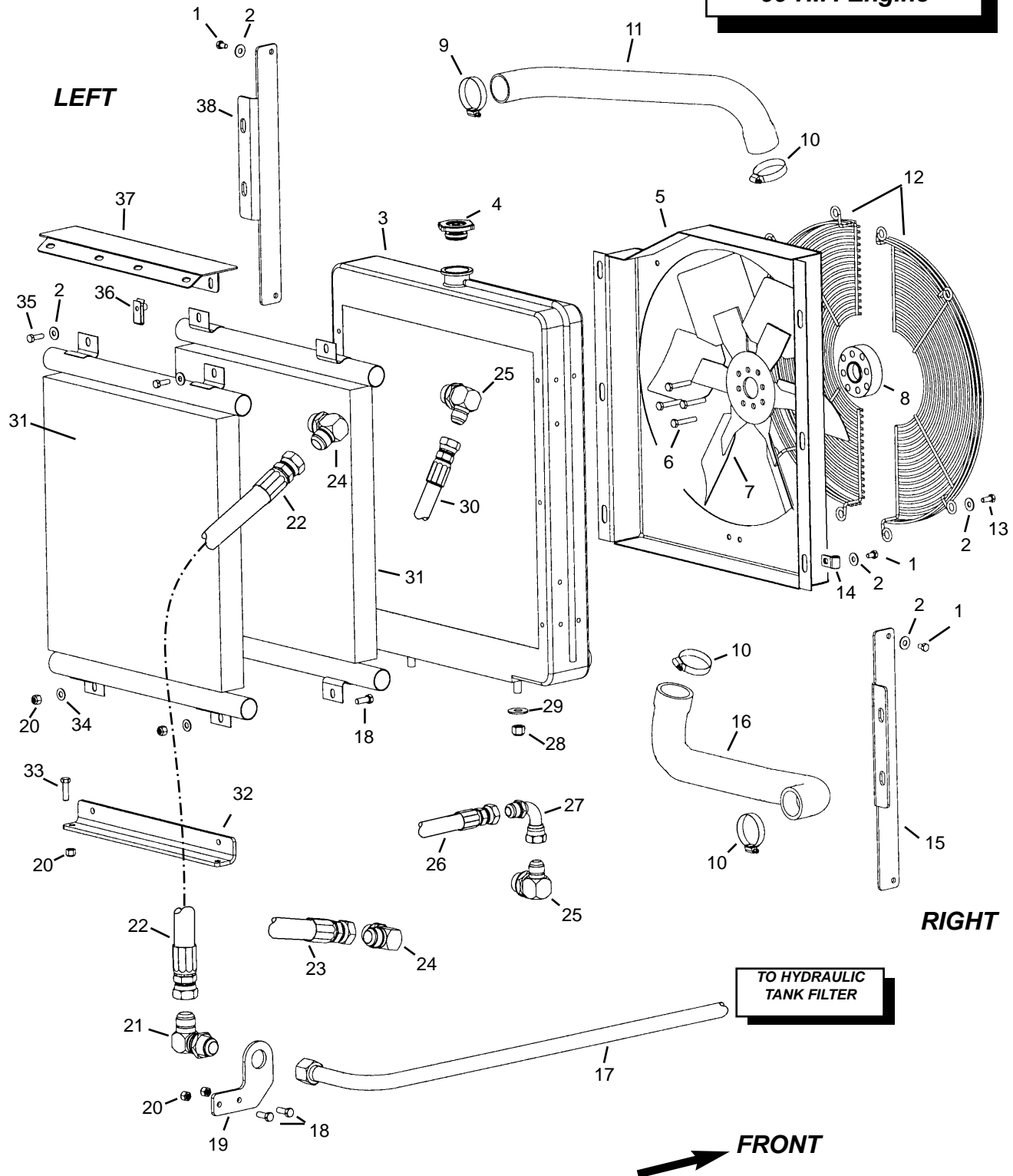
Ref. No.	Part No.	Description	Qty. Req.	Ref. No.	Part No.	Description	Qty. Req.
01	104929	CHARGE AIR COOLER (section) ..1				-- Early Style --	
02	104930	RADIATOR (section)1		20 ^b	NSS	CAC LOWER TUBE1	
03	104931	COOLER, TRANS/HYD.(section) ..1		21 ^c	210044	BRACKET, PIPE SUPPORT1	
04 ^a	104932	RADIATOR CAP1		22 ^c	104885	HOSE, 2" ID X 2-1/4" ID STR.1	
05	NSS	ADAPTER1				-- Later Style --	
06	105192	ADAP., ST MJ04 MM121		23 ^d	210138	CAC LOWER TUBE1	
07	L40805	RADIATOR DRAIN VALVE1		24 ^d	210171	BRACKET, PIPE SUPPORT1	
08	L76020	HOSE CLAMP, #32 SAE4		25 ^d	210137	HOSE, 2" ID X 2-1/4" ID 45°1	
09	104451	HOSE, LOWER RADIATOR1					
11	105175	CLAMP, HOSE #36 / TENSION ...7		a		<i>Radiator cap sold separately.</i>	
12	104452	HOSE, SILICONE 2-1/4"2		b		<i>Order Kit PN 210050; includes components used with later style CAC lower tube assembly</i>	
14	105193	HOSE, -4 FJSO4 FJSO4 20"1					
15	105192	ADAP., ST MJ04 MM121		c		<i>Used on units with early style CAC Lower Tube assembly.</i>	
16	104450	HOSE, UPPER RADIATOR1					
17	104449	UPPER CHARGE AIR TUBE1		d		<i>Used on units with later style CAC Lower Tube assembly.</i>	
18	656013	M10X60, BOLT2					

Engine

Radiator and Coolers (99 H.P. Engine)

RS6-42/RS8-42/44

**Radiator and Coolers
for
99 H.P. Engine**



Telescopic Handler

Engine

Radiator and Coolers (99 H.P. Engine)

Ref. No.	Part No.	Description	Qty. Req.	Ref. No.	Part No.	Description	Qty. Req.
01	L50228	5/16"-18X1/2" BOLT	AR	22	103158	HOSE, -16 A16/A16 20"	1
02	L50141	5/16" FLAT WASHER	AR	23	102849	HOSE -16 A16/A16 42"	1
03 ^a	L45934	RADIATOR	1	24	L51621	ADAP, -16ORM -16JICM 90°	2
04 ^a	102063	CAP, RADIATOR 10LB.	1	25	L61092	ADAP, -16ORM -12JICM	2
05	L66515	FAN SHROUD	1	26	102850	HOSE -12 A12/DM12 102"	1
06	L50667	M8-1.25X45M BOLT	4	27	102776	ADAP, -12JICFS -12JICM 90°	1
07	L66265	FAN	1	28	L520019	1/2"-13 NYLON INSERT NUT	2
08	L66709	FAN SPACER	1	29	L50151	1/2" FLAT WASHER	2
09	L76084	HOSE CLAMP #24 SAE	1	30	102850	HOSE, -12 A12/DM12 102"	1
10	L76020	HOSE CLAMP #32 SAE	3	31	L450002	OIL COOLER	2
11	L68539	UPPER HOSE, RADIATOR	1	32	105123	MOUNT, OIL COOLER	2
12	L63665	FAN GUARD (Half)	2	33	L50403	3/8"X1-1/4" BOLT	AR
13	L50230	5/16"-18X3/4" BOLT	AR	34	L50145	3/8" FLAT WASHER	AR
14	L47212	VINYL CLAMP 3/8" HOSE	2	35	L50823	5/16"-18X1" BOLT	AR
15	105133	MOUNT, R.H.	1	36	L530004	5/16" NUT RETAINING CLIP	AR
16	L68580	LOWER HOSE, RADIATOR	1	37	105131	MOUNT, TOP HOOD	1
17	L64599	HYDRAULIC TUBE (to HYDRAULIC tank filter)	1	38	105133	MOUNT, L.H.	1
18	L50367	3/8"X1" BOLT	AR	-- ITEMS NOT SHOWN --			
19	105638	MOUNT, HYD. RETURN TUBE	1	00	L40805	RADIATOR DRAIN VALVE	1
20	L520005	3/8"-16 NYLON INSERT NUT	AR				
21	L62943	ADAP., -16JICM BULKHD 90°	1				

a Radiator cap included with radiator.

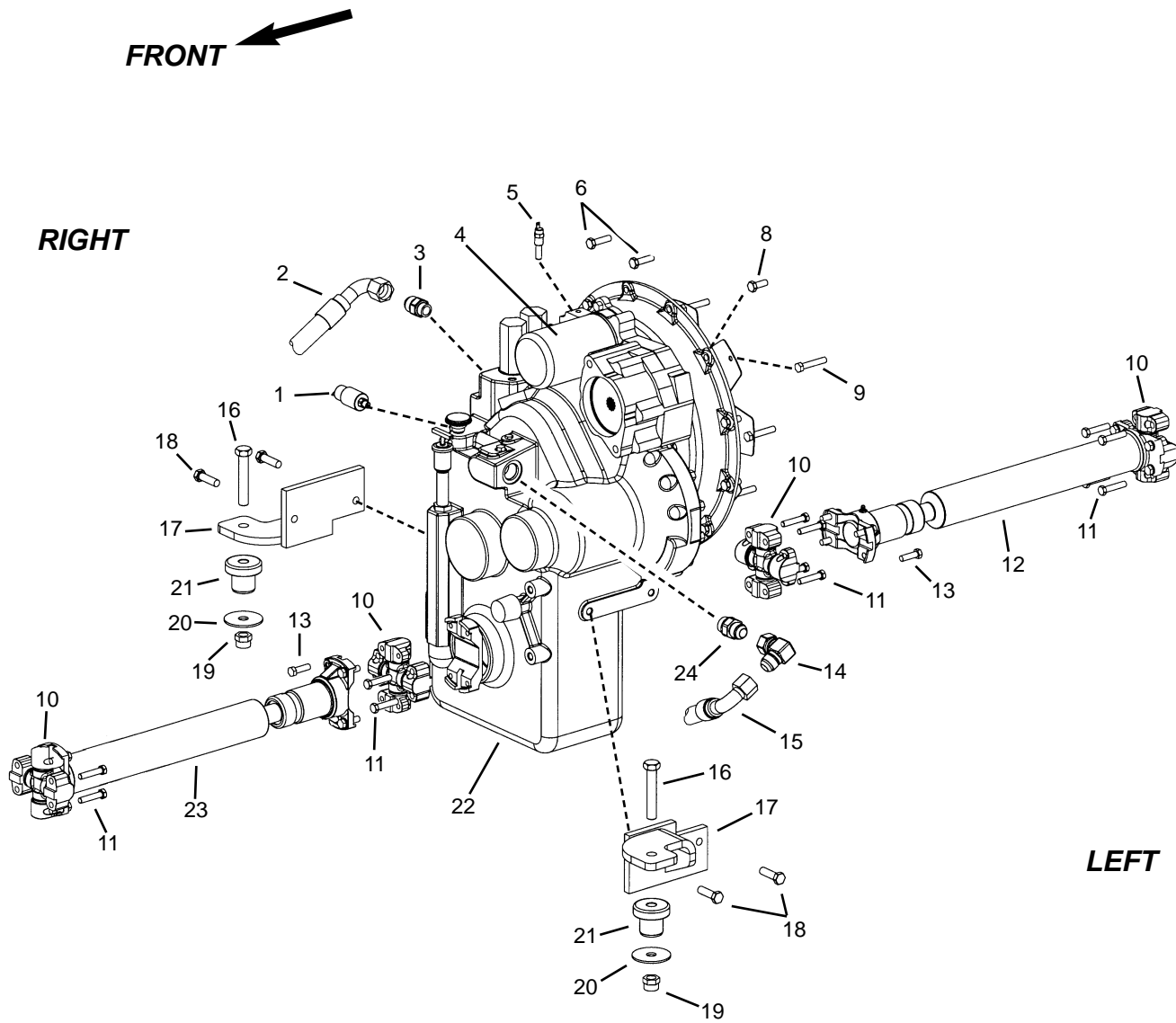
HOSE LOCATOR

22	HYDRAULIC COOLER "UPPER"	BULKHEAD (connects hyd. tube to in-tank hyd. filter)
23	HYDRAULIC COOLER "LOWER"	MAIN VALVE "OUT"
26	TRANSMISSION COOLER "LOWER"	TRANSMISSION (left side - just under hyd. pump)
30	TRANSMISSION COOLER "UPPER"	TRANSMISSION (top right side - near filter)

Transmission

External Components and Driveshaft

RS6-42/RS8-42/44



Telescopic Handler

Transmission External Components and Driveshaft

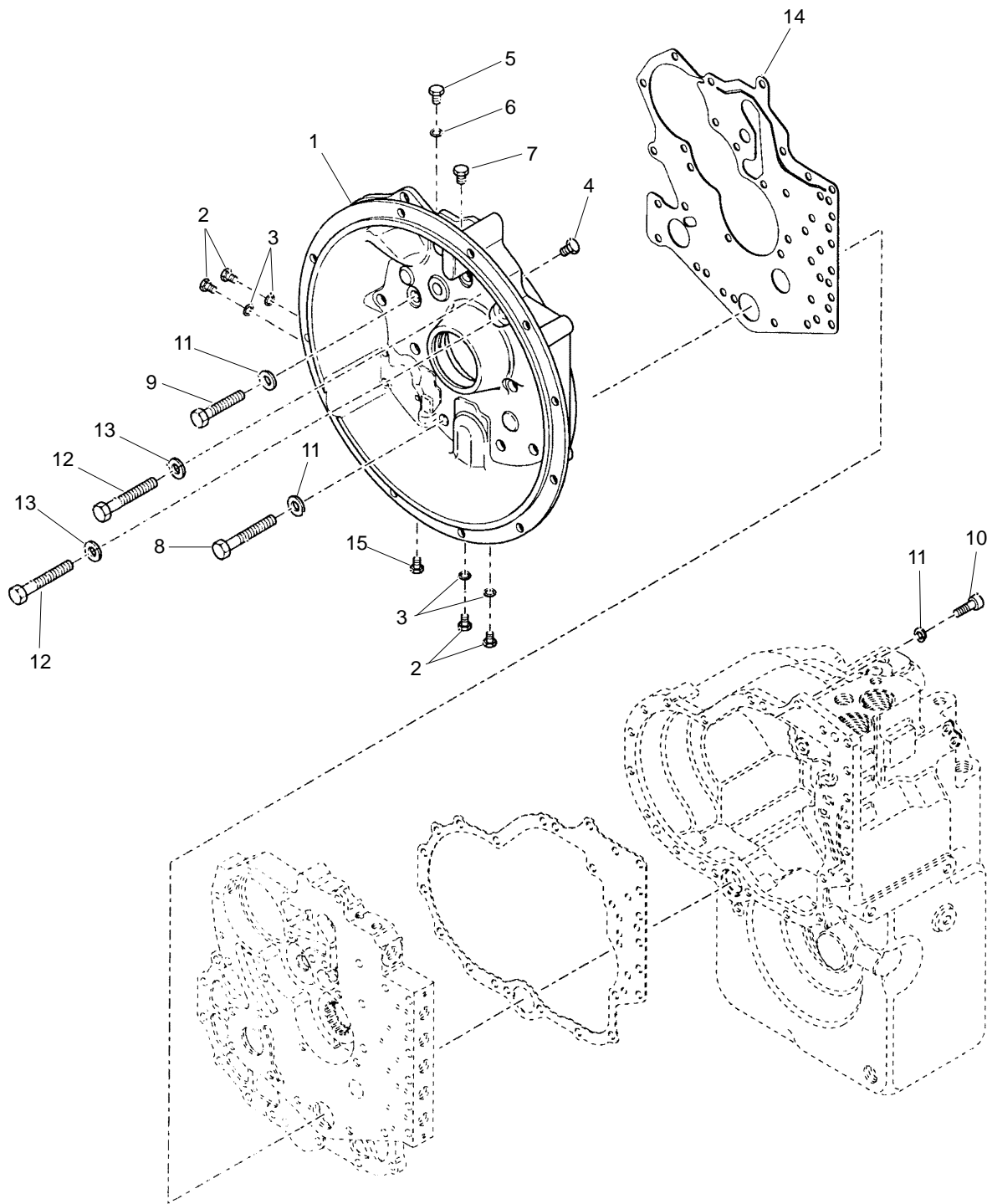
Ref. No.	Part No.	Description	Qty. Req.	Ref. No.	Part No.	Description	Qty. Req.
01	104425	SWITCH, REVERSE PRESSURE . . .	1	17	102199	TRANS MOUNT	2
	L444070	ADAP, -3ORM (<i>not shown</i>).	1	18	L50704	M12X1.75X40mm BOLT	4
02		HOSE, -12 DS12/A12 102"	1	19	L520007	5/8"-11 NYLON INSERT NUT	2
	L63406	<i>Note e (114" long)</i>		20	L64197	WASHER, ISOLATOR MOUNT.	2
	102850	<i>Note f (102" long)</i>		21	L64124	MOUNT, VIBRATION ISOLATOR	2
03	L444007	ADAP, -10ORM -12JICM STR	1	22	102654	TRANSMISSION, 1106 T12000	1
04	L99184	FILTER, TRANSMISSION OIL	1	23	102211	DRIVESHAFT, FRONT	1
05	L66965	SENDER, TEMP 250 DEGREE	1			<i>(includes u-joints)</i>	
06 ^d	L50727	M10X1.5X35mm	2	24	L444001	ADAP, -12ORM -12JICM STR.	1
08	L50952	M10X1.5X25mm	10				
09 ^c	L50833	3/8"-24X2" GRADE 8 BOLT	8				
10	L99182	UNIVERSAL JOINT	4				
		<i>(includes bolts)</i>		a		<i>Used to fasten universal joint to transmission and to axle yokes.</i>	
11 ^a	L50468	3/8"-24X1-3/4" GR8 BOLT.	16	b		<i>Used to fasten universal joint to driveshaft.</i>	
12	102212	DRIVESHAFT, REAR	1	c		<i>Used to fasten flex plate to flywheel.</i>	
		<i>(includes u-joints)</i>		d		<i>Used to fasten wire harness bracket to transmission</i>	
13 ^b	650965	3/8"-24X1-1/4" GR 8 BOLT	8	e		<i>Units equipped with a 115 H.P. engine. (electronic throttle pedal)</i>	
	L50147	3/8" LOCK WASHER	8				
14	L446020	ADAP, -12JICM -12JICFS 90 DEG	1	f		<i>Units equipped with a 99 H.P. engine. (manual throttle pedal)</i>	
15	102850	HOSE, -12 DM12/A12 102"	1				
16	L50319	5/8"-11X3-1/2" BOLT	2				

HOSE LOCATOR

02	TRANSMISSION (<i>top right side - near filter</i>)	TRANSMISSION COOLER "UPPER"
15	TRANSMISSION (<i>left side - just under hyd. pump</i>)	TRANSMISSION COOLER "LOWER"

Transmission Torque Converter Housing

RS6-42/RS8-42/44



Telescopic Handler

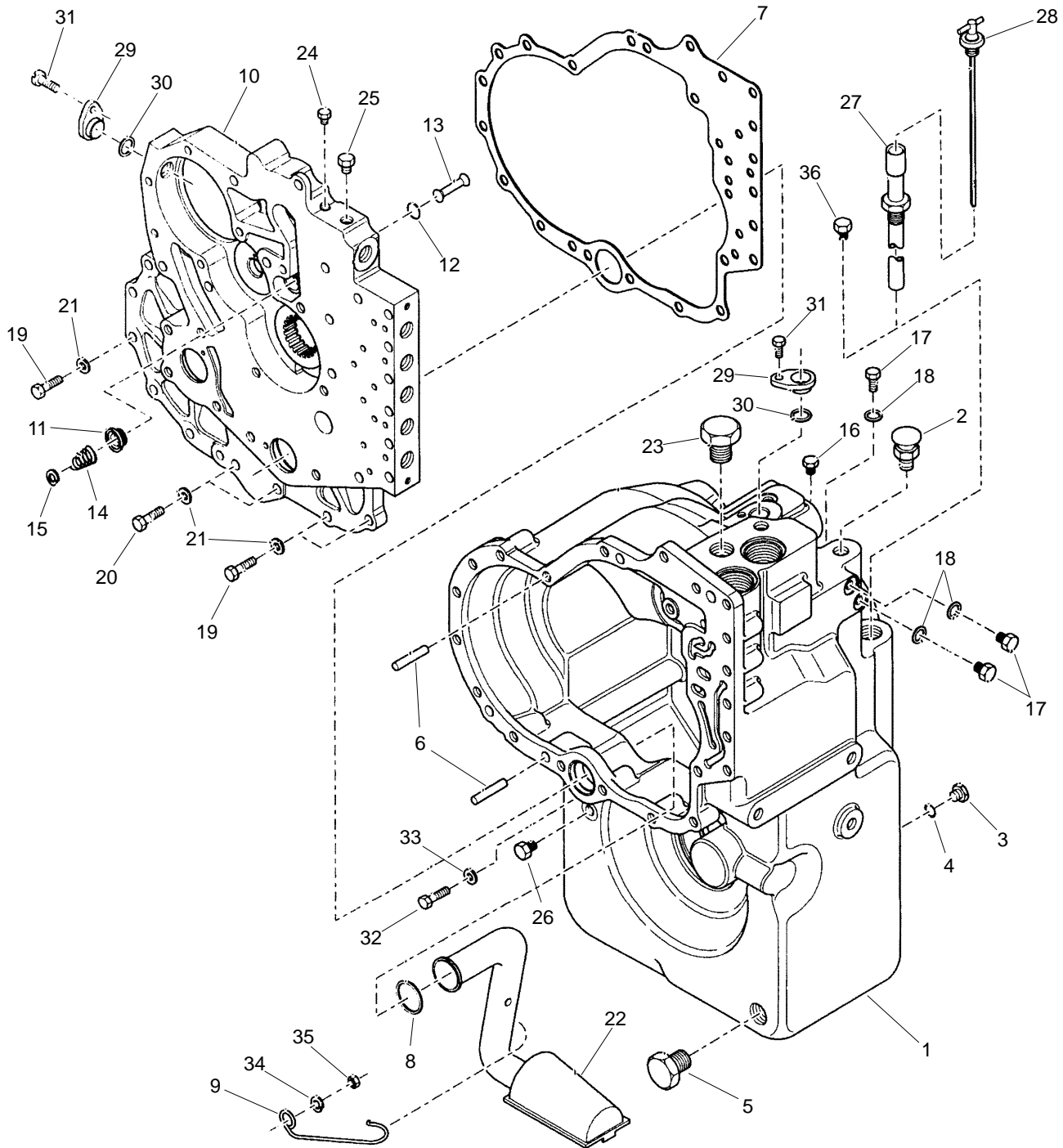
Transmission Torque Converter Housing

Ref. No.	Part No.	Description	Qty. Req.	Ref. No.	Part No.	Description	Qty. Req.
01	L99286	HOUSING/CONVERTER	1	09	L99260	SCREW	3
02	NSS	PLUG	4	10	L99261	SCREW	1
03	L99284	O-RING / PLUG	4	11	L99029	WASHER/LOCK	10
04	L99246	PLUG	1	12	L99260	SCREW	13
05	NSS	PLUG	1	13	L99029	WASHER/LOCK	13
06	L99284	O-RING / PLUG	1	14	L98938	GASKET/HSG. TO PLATE	1
07	L99262	PLUG	1	15	L99249	PLUG/TEMP PICKUP	1
08	L99285	SCREW	6				

Transmission

Case and Plate

RS6-42/RS8-42/44



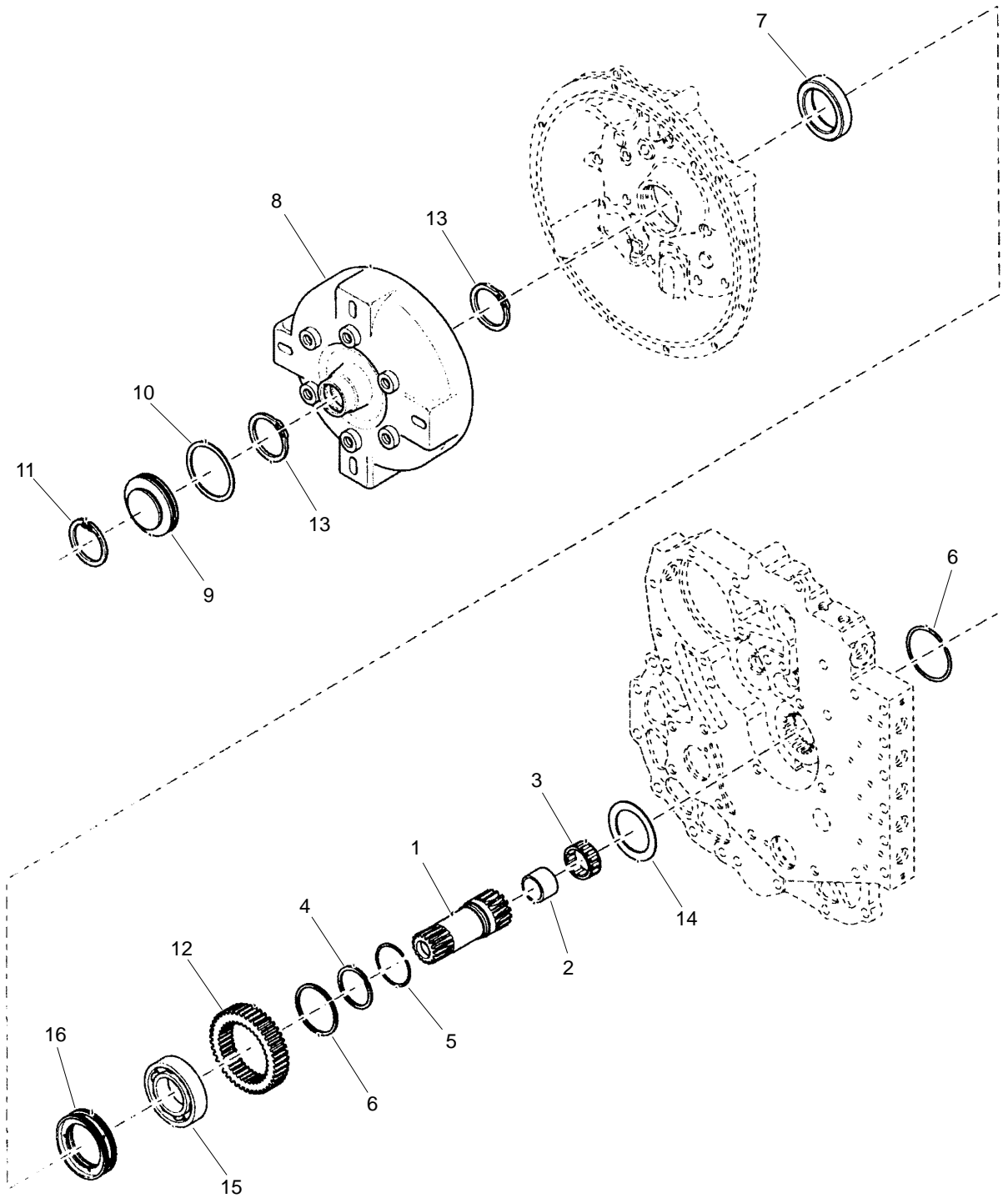
Telescopic Handler

Transmission Case and Plate

Ref. No.	Part No.	Description	Qty. Req.	Ref. No.	Part No.	Description	Qty. Req.
01	NSS	CASE-TRANSMISSION	1	18	L99284	O-RING/PLUG	3
02	L94824	BREATHER/AIR	1	19	L99018	SCREW	7
03	L99251	PLUG	2	20	L99045	SCREW	2
		<i>(includes item 4)</i>		21	L99029	WASHER/LOCK	9
04	L99013	O-RING/PLUG	2	22	L98184	ASSY/TUBE & SCREEN	1
		<i>(part of item item 3)</i>		23	L99274	PLUG	1
05	L99253	PLUG/MAGNETIC DRAIN	1	24	L99246	PLUG	1
06	L98927	PIN/DOWEL PLATE TO CASE	2	25	L99262	PLUG	1
07	L98926	GASKET/PLATE TO CASE	1	26	L99270	PLUG	1
08	L98185	RING/TUBE SEAL	1	27	L98734	TUBE/TRANS DIPSTICK	1
09	L98176	CLIP/OIL TUBE RETAINER	1	28	L98735	TRANS DIPSTICK TUBE	1
10	102949	PLATE, SPACER	1	29	L99287	PLUG	2
11	L98935	SEAT/SAFETY VALVE	1	30	L99312	O-RING	2
12	L98932	SNAP RING	1	31	L99288	SCREW	2
13	L98226	POPPET/SAFETY VALVE	1	32	L99285	SCREW	1
14	L98218	SPRING	1	33	L99294	WASHER/SEAL	1
15	L98217	WASHER/POPPET	1	34	L99295	WASHER/SCREW	1
16	L99246	PLUG	1	35	L99296	NUT	1
17	NSS	PLUG	3				

Transmission Torque Converter

RS6-42/RS8-42/44



Telescopic Handler

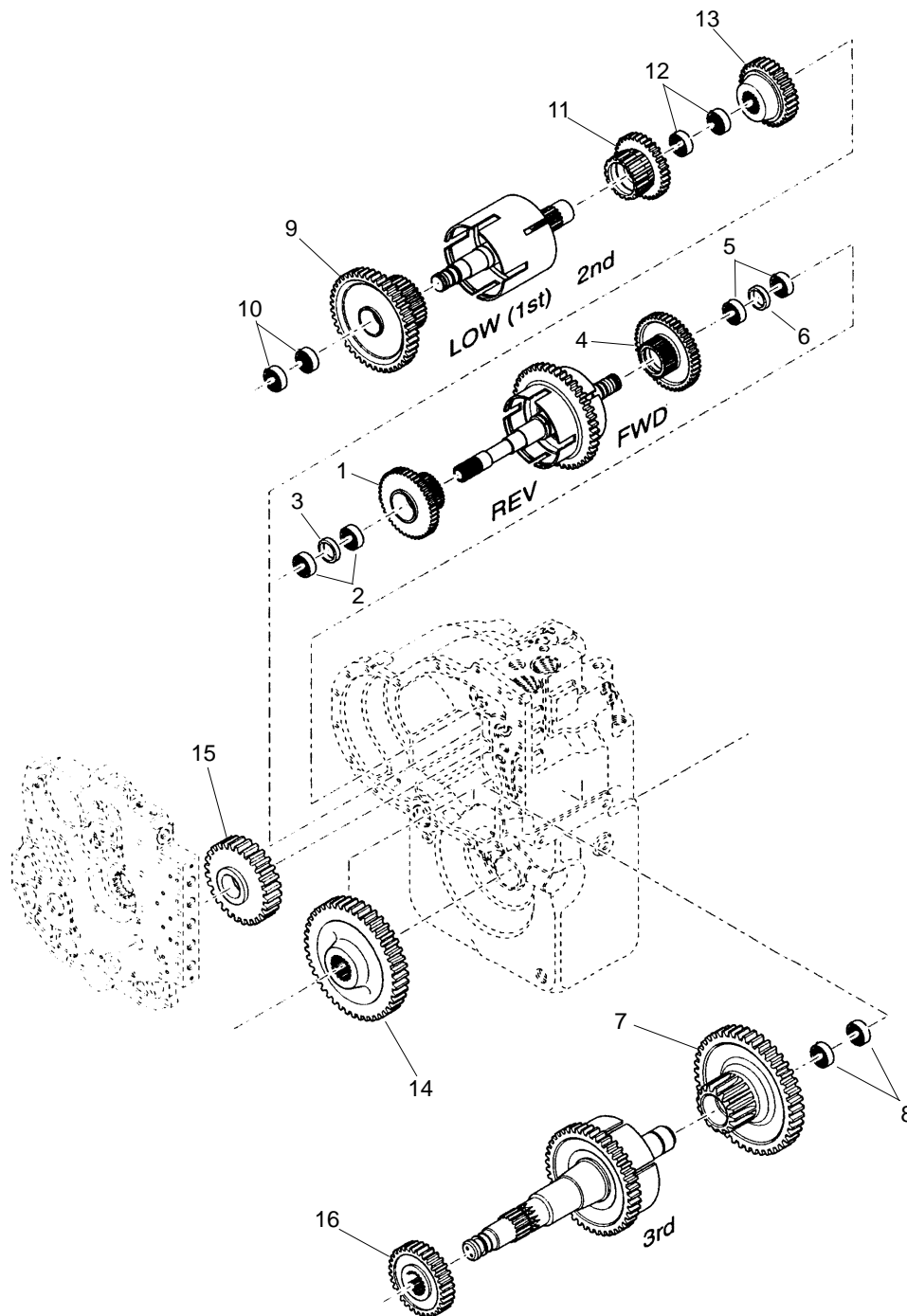
Transmission Torque Converter

Ref. No.	Part No.	Description	Qty. Req.	Ref. No.	Part No.	Description	Qty. Req.
01	L98203	ASSY/STATOR SUPPORT	1	09	L98189	PLUG/BORE	1
02	L98204	BUSHING	1	10	L97525	O-RING/BORE PLUG	1
03	L98197	BEARING/FRONT	1	11	L97526	RING/RET. BORE PLUG	1
04	L98201	RING/PISTON	1	12	L98199	IMPELLER/HUB GEAR	1
05	L98202	EXPANDER/RING	1	13	L98191	SNAP RING/IMPELLER HUB	2
06	L98200	RING/SNAP	2	14	L98205	WASHER/HUB GEAR	1
07	L98194	SEAL/OIL CONV. HSG.	1	15	L98198	BEARING/TORQUE CONVERTER. 1	
08	L99313	ASSY/TORQUE CONVERTER	1	16	L98196	RING/OIL DISTRIBUTOR	1

Transmission

Gear Assembly

RS6-42/RS8-42/44



Telescopic Handler

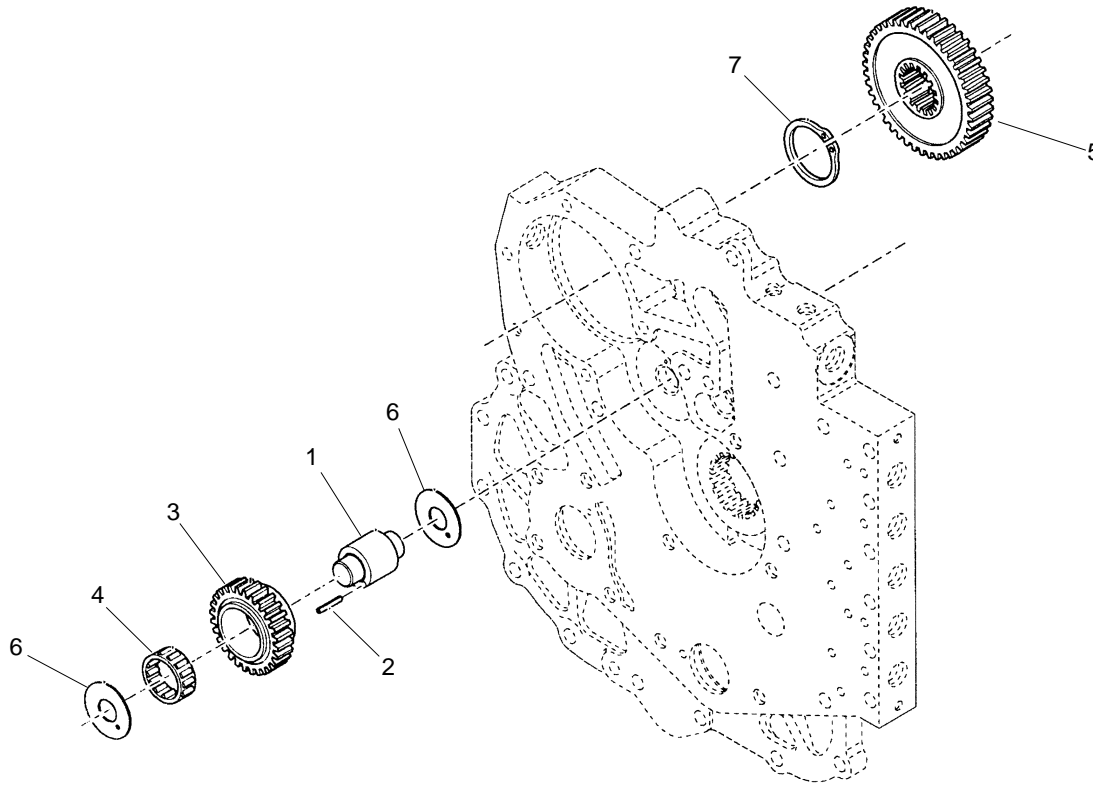
Transmission Gear Assembly

Ref. No.	Part No.	Description	Qty. Req.	Ref. No.	Part No.	Description	Qty. Req.
01	NSS	ASSY/REV. GEAR & BEARING . . . 1 <i>(includes items 2 and 3)</i>	1	08	L500480	BEARING-3RD CLUTCH GEAR . . . 2 <i>(part of item 7)</i>	2
02	L98253	BEARING/NEEDLE 2 <i>(part of item 1)</i>	2	09	L98968	1st CLUTCH GEAR/BRG. ASSY . . . 1 <i>(includes item 9)</i>	1
03	L98254	SPACER/CLUTCH GEAR 1 <i>(part of item 1)</i>	1	10	L98253	BEARING/NEEDLE 2 <i>(part of item 9)</i>	2
04	NSS	ASSY/FOR. GEAR & BEARING . . . 1 <i>(includes items 5 and 6)</i>	1	11	L98276	2nd CLUTCH GEAR/BRG. ASSY . . 1 <i>(includes item 12)</i>	1
05	L98253	BEARING/NEEDLE 2 <i>(part of item 4)</i>	2	12	L98253	BEARING/NEEDLE 2 <i>(part of item 11)</i>	2
06	L98254	SPACER/CLUTCH GEAR 1 <i>(part of item 4)</i>	1	13	L98277	GEAR/THIRD DRIVEN - 18T 1	1
07	L500407	ASY. 3RD CLUTCH GEAR 1 <i>(includes item 8)</i>	1	14	L98284	GEAR/OUTPUT SHAFT - 40T 1	1
				15	L98955	GEAR/REVERSE IDLER - 28T 1	1
				16	L500409	GEAR/FIRST DRIVEN - 27T 1	1

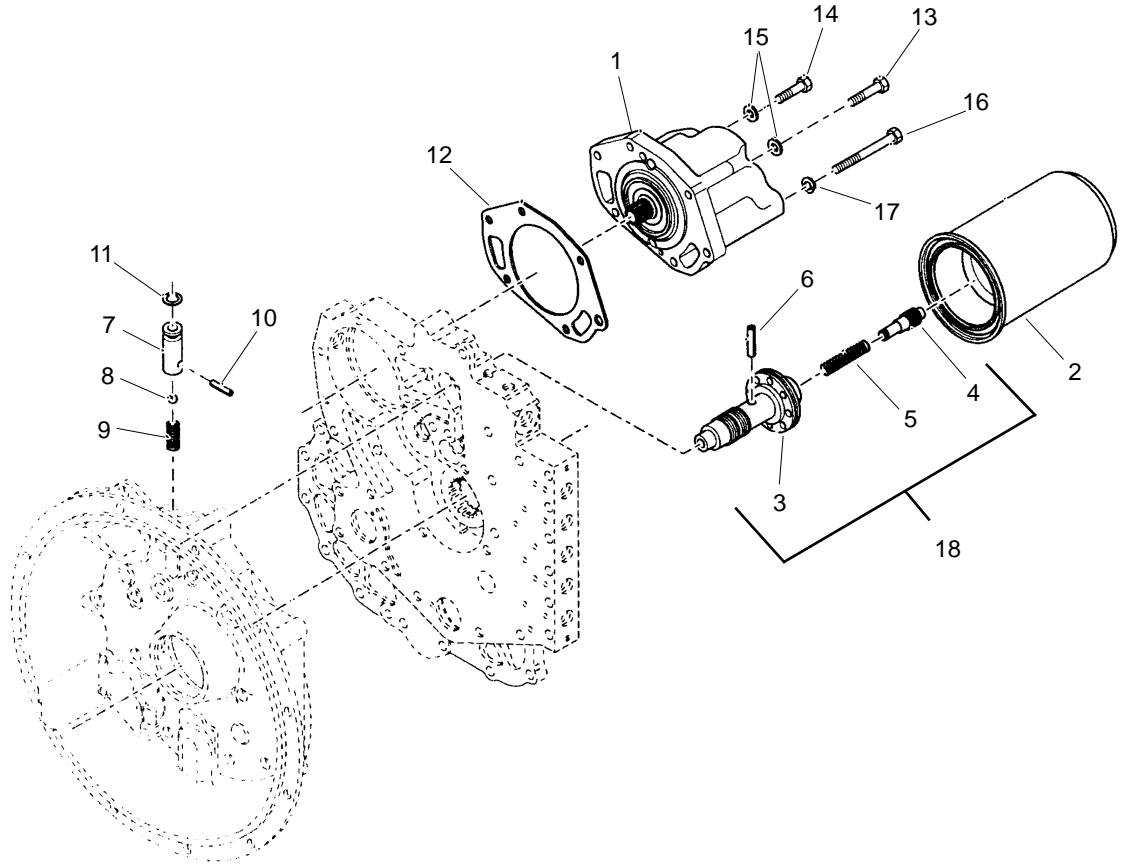
Transmission

Drive Pump

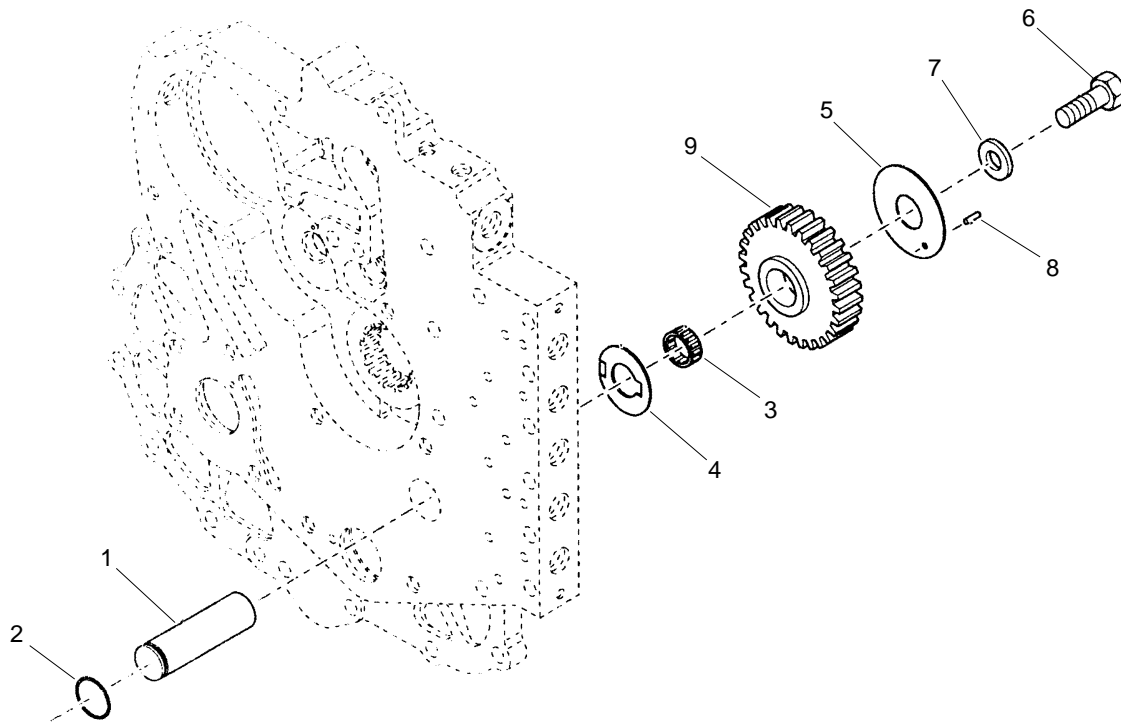
RS6-42/RS8-42/44



Ref. No.	Part No.	Description	Qty. Req.	Ref. No.	Part No.	Description	Qty. Req.
01	L98945	IDLER/SHAFT & PIN	1	04	L98943	BEARING/IDLER GEAR	1
		<i>(includes item 2)</i>		05	L98211	GEAR/DRIVE	1
02	L98947	ROLL PIN	1	06	L98942	WASHER/THRUST	2
		<i>(part of item 1)</i>		07	L98212	RING/SNAP	1
03	L98944	GEAR/IDLER,PUMP DRIVE	1				



Ref. No.	Part No.	Description	Qty. Req.	Ref. No.	Part No.	Description	Qty. Req.
01	L98220	CHARGE PUMP / T12000.	1	10	L98214	PIN.	1
02	L99184	ASSY/ HYDRAULIC SPIN FILTER .	1	11	L98948	O-RING	1
03	L98953	SLEEVE.....	1	12	L98219	GASKET/CHARGE PUMP	1
04	L98950	PISTON.....	1	13	L99025	SCREW.....	4
05	L98951	SPRING.....	1	14	L99023	SCREW.....	1
06	L98224	PIN/CLARK TRANS.	1	15	L99020	WASHER/LOCK.....	5
07	L98949	ASSY/BALL CHECK VALVE..... (includes items 8 thru 11)	1	16	L99027	SCREW.....	1
08	L98215	BALL.....	1	17	L99029	WASHER/LOCK.....	1
09	L98216	SPRING.....	1	18	L98954	ASY., REGULATOR VALVE..... (includes items 3-6)	1



Telescopic Handler

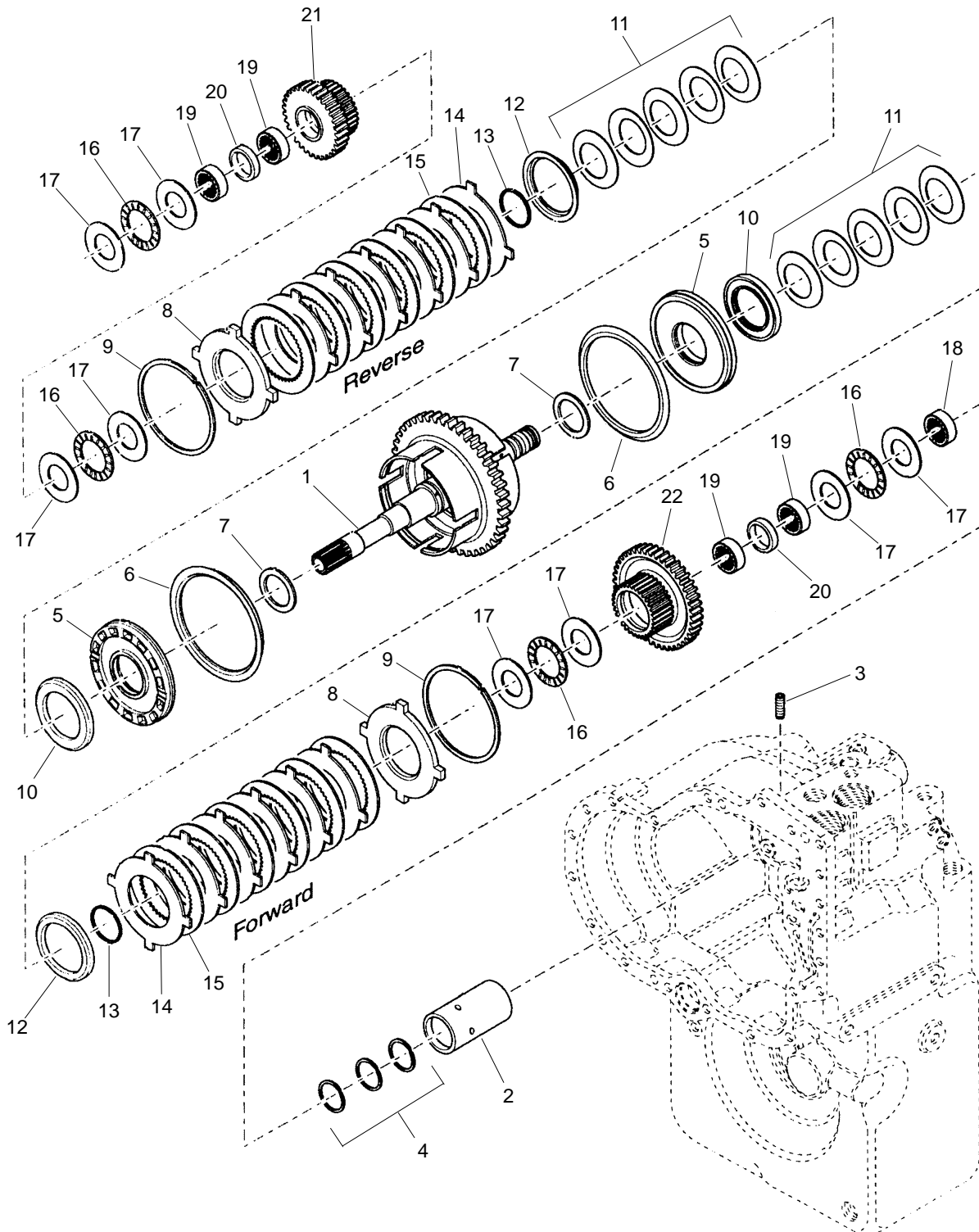
Transmission *Reverse Idler*

Ref. No.	Part No.	Description	Qty. Req.	Ref. No.	Part No.	Description	Qty. Req.
01	L98229	SHAFT IDLER & PILOT	1	05	L98232	END PLATE	1
02	L98228	RING/SNAP	1	06	L99031	CAPSCREW	1
03	L98231	BEARING/REV IDLER GEAR	1	07	L99032	WASHER	1
04	L98230	WASHER/THRUST	1	08	L98233	END PLATE	1

Transmission

Forward and Reverse

RS6-42/RS8-42/44



Telescopic Handler

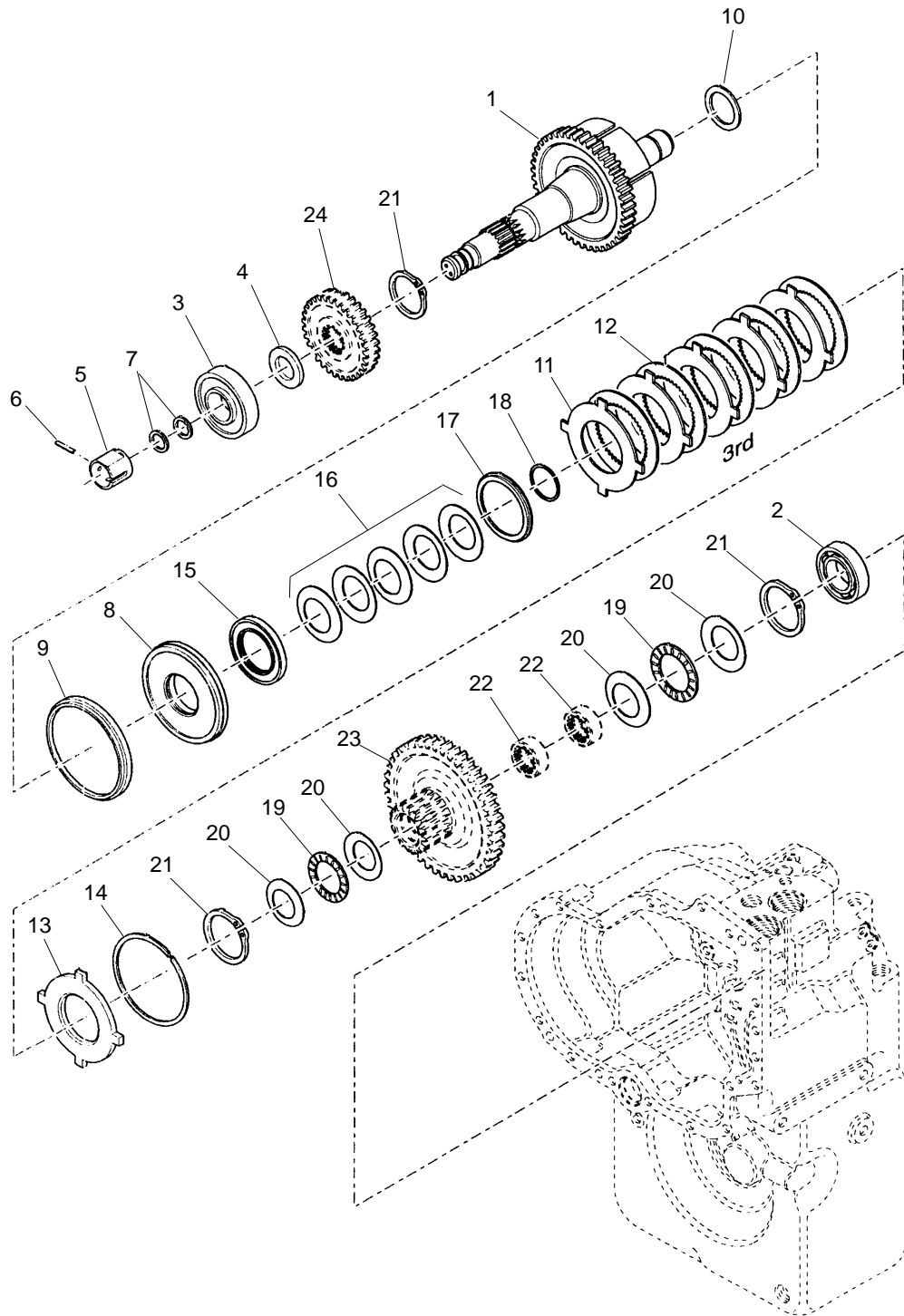
Transmission Forward and Reverse

Ref. No.	Part No.	Description	Qty. Req.	Ref. No.	Part No.	Description	Qty. Req.
01	L98248	ASY/TURB SHFT DRUM & PLUG .	1	12	L98242	RETAINER.....	2
02	L98251	SLEEVE/OIL DISTRIBUTOR.....	1	13	L98241	RETAINER/SNAP RING	2
03	L98252	SCREW.....	1	14	L98240	CLUTCH/OUTER FWD.....	12
04	L98250	RING/PISTON.....	3	15	L98239	CLUTCH/INNER FWD.....	12
05	L99278	ASY/PISTON.....	2	16	L98236	BEARING.....	4
		<i>(includes items 6 and 7)</i>		17	L98235	WASHER/THRUST	8
06	L98246	SEAL/OUTER PISTON.....	2	18	L98249	BEARING/REAR	1
		<i>(part of item 5)</i>		19	L98253	BEARING/CLUTCH GEAR	4
07	L98247	SEAL/INNER PISTON.....	2	20	L98254	SPACER/CLUTCH GEAR.....	2
		<i>(part of item 5)</i>		21	L98962	ASSY/REV. AND BRG.	1
08	L98238	PLATE/END.....	2			<i>(includes items 19 and 20)</i>	
09	L98237	RING/SNAP.....	2	22	L98255	ASSY/FOR. GEAR AND BRG.	1
10	L98244	PLATE/WEAR	2			<i>(includes items 19 and 20)</i>	
11	L98961	ASY/DISC SPRING Pkg 5.....	2				

Transmission

Third Gear

RS6-42/RS8-42/44



Telescopic Handler

Transmission

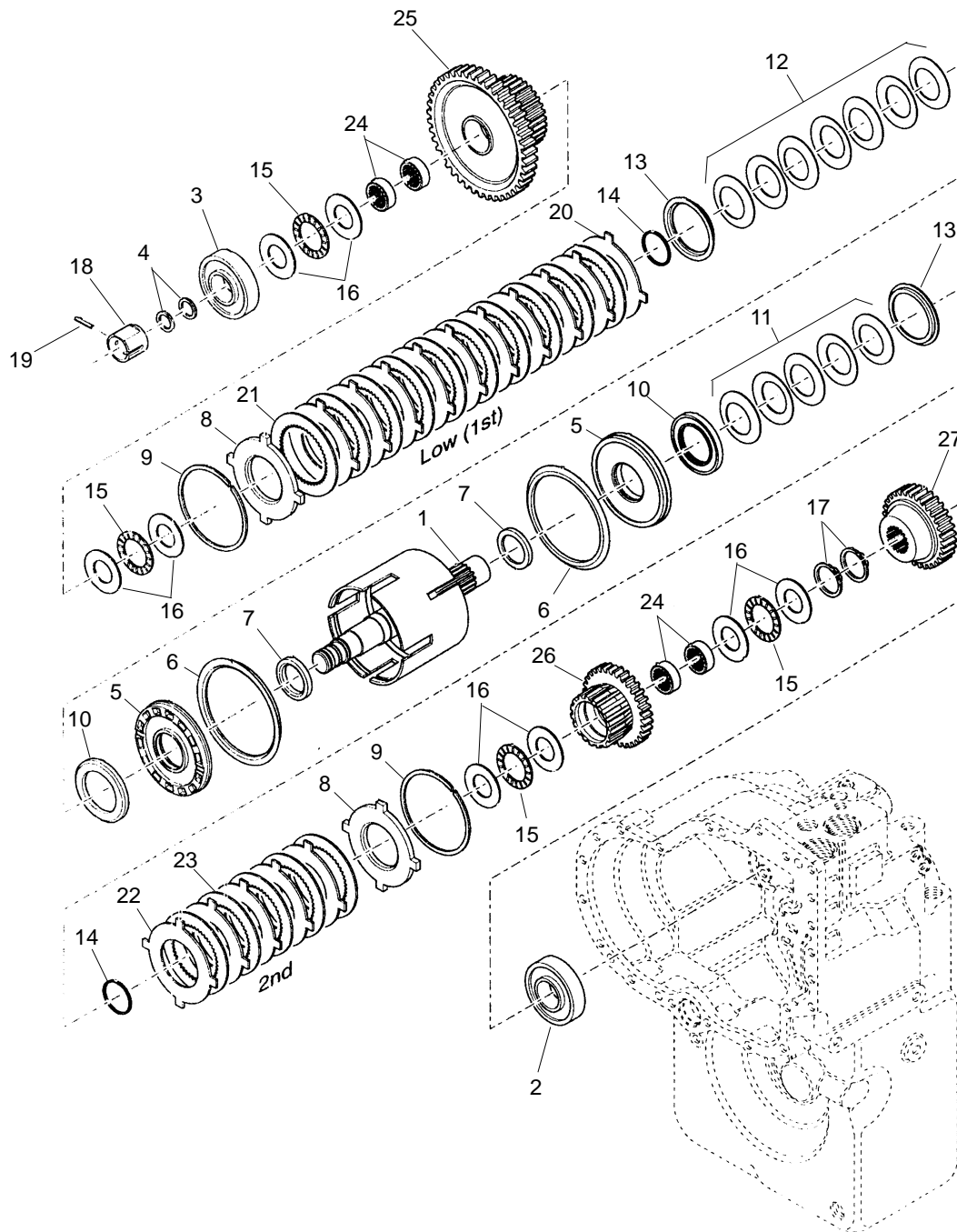
Third Gear

Ref. No.	Part No.	Description	Qty. Req.	Ref. No.	Part No.	Description	Qty. Req.
01	L500410	ASY-3RD SHAFT, DRUM & PLUG .	1	13	L98238	PLATE/END.....	1
02	L500411	BEARING-ROLLER.....	1	14	L98237	RING/SNAP.....	1
03	L500273	ASSY/BEARING & SEAL	1	15	L98244	RING/SNAP.....	1
04	L500412	WASHER-BEARING SUPPORT ...	1	16	L98961	ASY/DISC SPRG PKG 5.....	1
05	L98258	SLEEVE/OIL DISTRIBUTOR.....	1	17	L98242	RETAINER.....	1
06	L98257	SCREW/SLEEVE LOCK.....	1	18	L98241	RETAINER/SNAP RING	1
07	L98250	RING/PISTON.....	2	19	L500413	BEARING-THRUST NEEDLE.....	2
08	L99279	ASSY/CLTCH PISTON & BALL...	1	20	L500414	WASHER/CLTCH GEAR THRUST .	4
09	L98246	SEAL/OUTER PISTON.....	1	21	L99696	RING/SNAP.....	3
10	L98247	SEAL/INNER PISTON.....	1	22	L500408	BEARING-3RD CLUTCH GEAR...	2
11	L98240	CLUTCH/OUTER FWD.....	5	23	L500407	ASY. 3RD CLUTCH GEAR	1
12	L98239	CLUTCH/INNER FWD.....	5	24	L500409	GEAR-FIRST DRIVEN	1

Transmission

First and Second Gear

RS6-42/RS8-42/44



Telescopic Handler

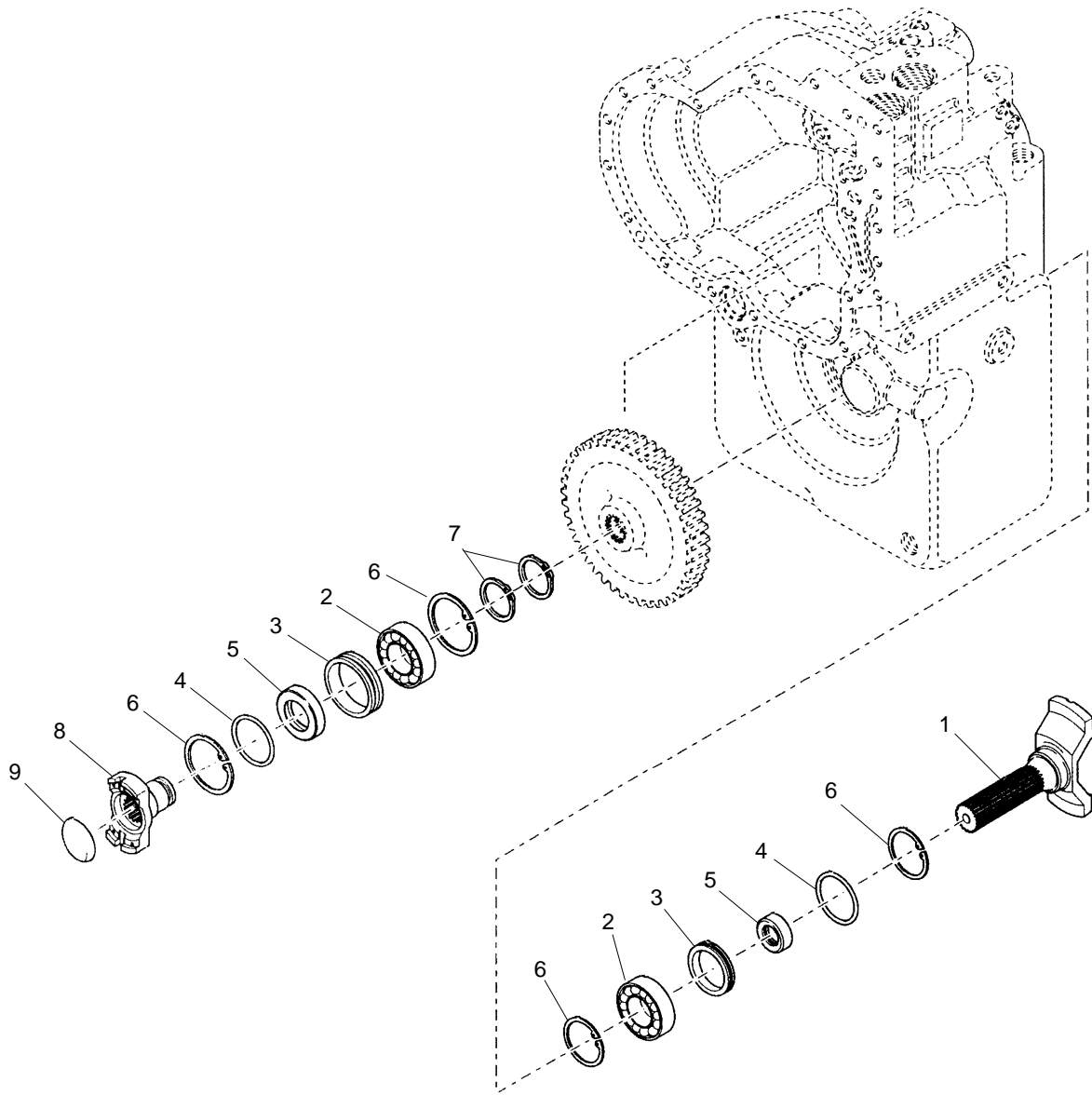
Transmission First and Second Gear

Ref. No.	Part No.	Description	Qty. Req.	Ref. No.	Part No.	Description	Qty. Req.
01	L98274	ASY-1ST 2ND SHAFT.....	1	16	L98235	WASHER/THRUST.....	8
02	L98275	BEARING/REAR.....	1	17	L98260	RING/SNAP.....	2
03	L500273	ASSY/BEARING & SEAL.....	1	18	L98272	SLEEVE/OIL DISTRIBUTOR.....	1
04	L98250	RING/PISTON.....	2	19	L98257	SCREW/SLEEVE LOCK.....	1
05	L99038	PISTON/CLUTCH & SEALS.....	2	20	L98240	CLUTCH/OUTER FWD.....	10
06	L98246	SEAL/OUTER PISTON.....	2	21	L98239	CLUTCH/INNER FWD.....	10
07	L98247	SEAL/INNER PISTON.....	2	22	L98240	CLUTCH/OUTER FWD.....	5
08	L98238	PLATE/END.....	2	23	L98239	CLUTCH/INNER FWD.....	5
09	L98237	RING/SNAP.....	2	24	L98253	BEARING/CLUTCH GEAR.....	4
10	L98244	PLATE/WEAR.....	2	25	L98968	1ST CLUTCH GEAR/BRG ASSY ..	1
11	L98961	ASSY/DISC SPRG PKG 5.....	1			<i>(includes item 24)</i>	
12	L98967	SPRING/DISC ASSY PKG (7).....	1	26	L98276	2ND CLUTCH GEAR/BRG ASSY ..	1
13	L98242	RETAINER.....	2			<i>(includes item 24)</i>	
14	L98241	RETAINER/SNAP RING.....	2	27	L98277	GEAR/3RD DRIVEN.....	1
15	L98236	BEARING.....	4				

Transmission

Output Shaft

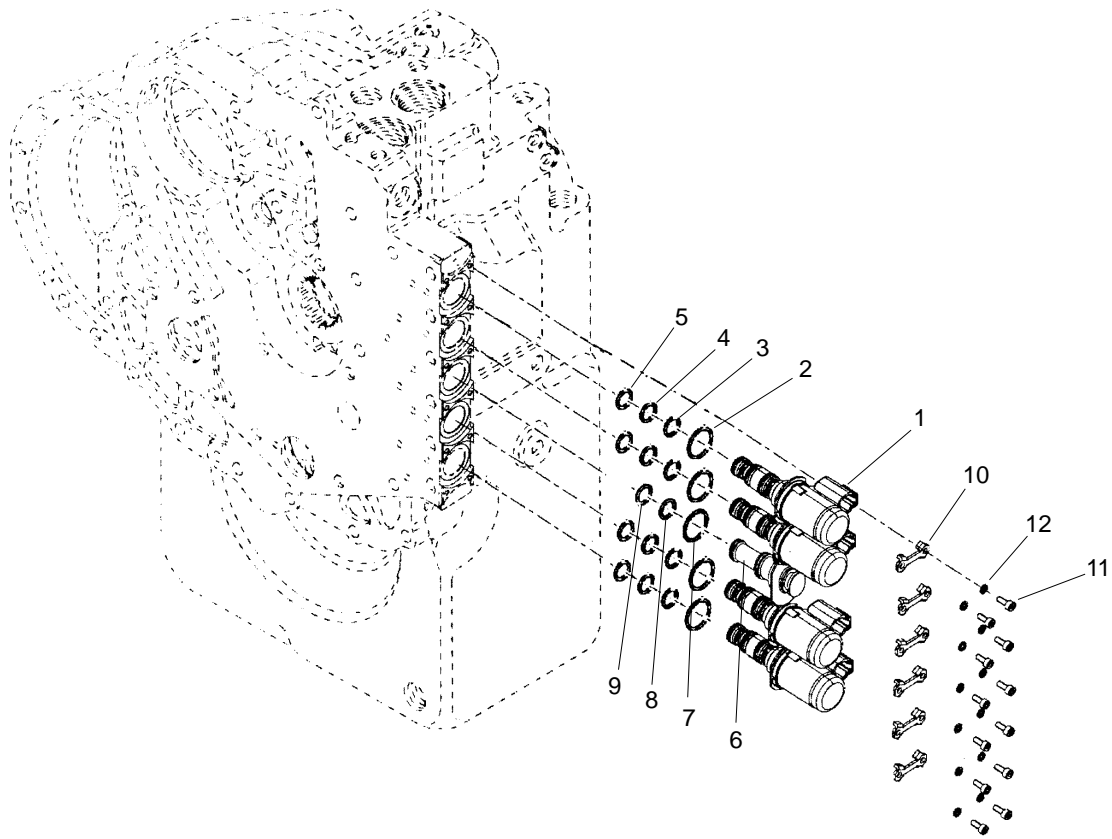
RS6-42/RS8-42/44



Telescopic Handler

Transmission Output Shaft

Ref. No.	Part No.	Description	Qty. Req.	Ref. No.	Part No.	Description	Qty. Req.
01	L500274	SHAFT/OUTPUT	1	06	L98264	RING/SNAP.....	4
02	L98282	BEARING/SHAFT	2	07	L98266	RING/SNAP.....	2
03	L98281	SLEEVE/OIL SEAL	2	08	L98279	FLANGE/OUTPUT & PLUG ASSY .	1
04	L98268	O-RING/SLEEVE.....	2	09	L98278	PLUG/FLANGE	1
05	L96053	SEAL/OUTPUT SHAFT OIL	2				



Telescopic Handler

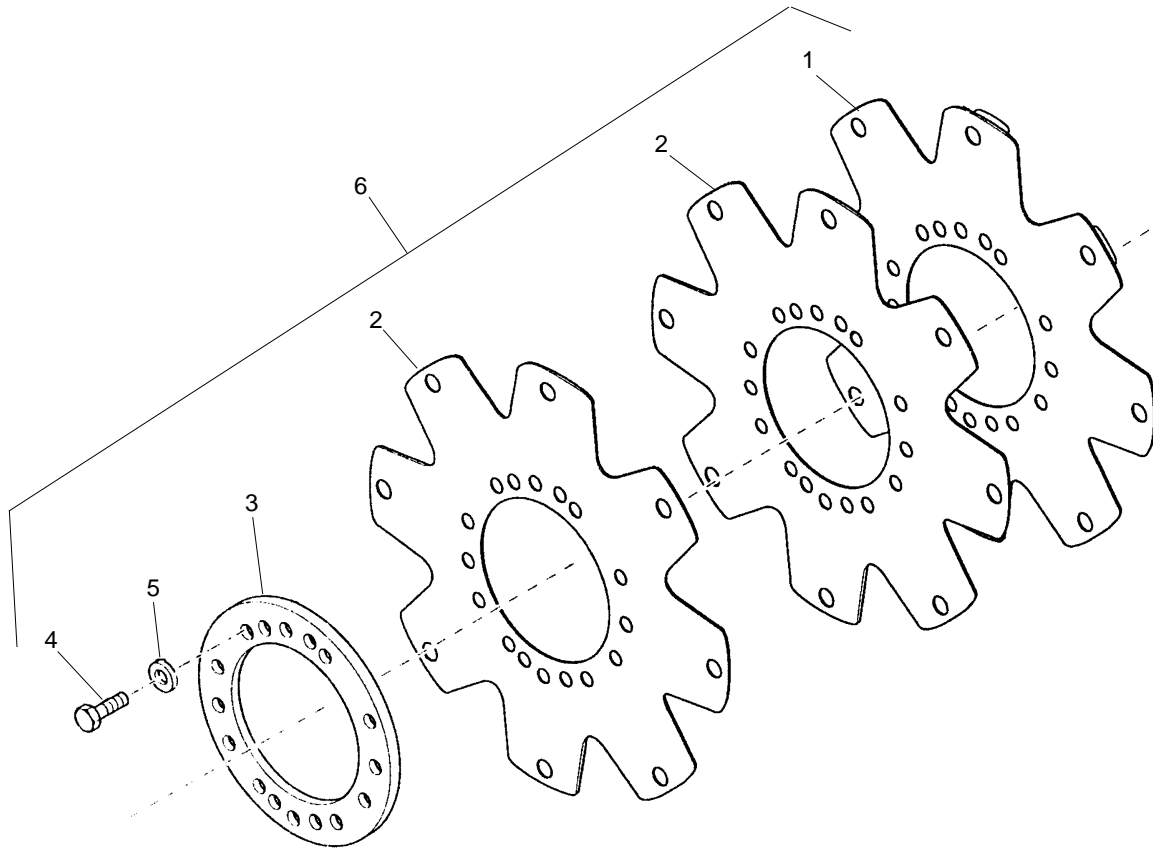
Transmission Electronic Controllers

Ref. No.	Part No.	Description	Qty. Req.	Ref. No.	Part No.	Description	Qty. Req.
01	102950	SOLENOID, W / DEUTSCH CON. 4 <i>(includes items 2 thru 5)</i>		07	102956	O-RING, 18.0 X 2.20MM 1 <i>(included with item 6)</i>	
02	102951	O-RING, 21.5 X 1.5MM 4 <i>(included with item 1)</i>		08	102952	O-RING, 15.1 X 1.60MM 1 <i>(included with item 6)</i>	
03	102952	O-RING, 15.1 X 1.60MM 4 <i>(included with item 1)</i>		09	102954	O-RING, 12.1 X 1.60MM 1 <i>(included with item 6)</i>	
04	102953	O-RING, 14.1 X 1.60MM 4 <i>(included with item 1)</i>		10	102957	CLAMP, SOLENOID 6	
05	102954	O-RING, 12.1 X 1.60MM 4 <i>(included with item 1)</i>		11	102958	CAPSCREW 12	
06	102955	PLUG, SOLENOID BORE 1 <i>(includes items 7, 8 and 9)</i>		12	102959	WASHER, PLAIN. 12	

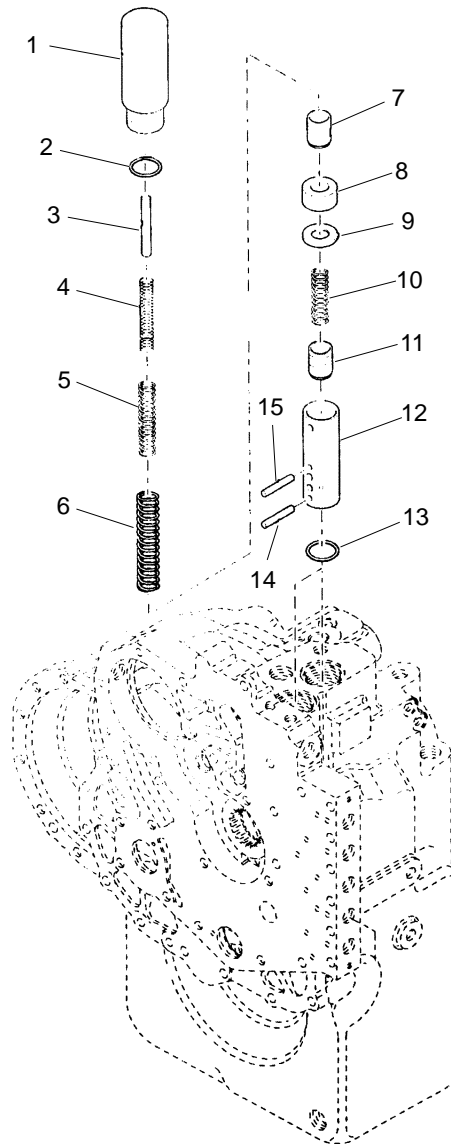
Transmission

Drive Plate

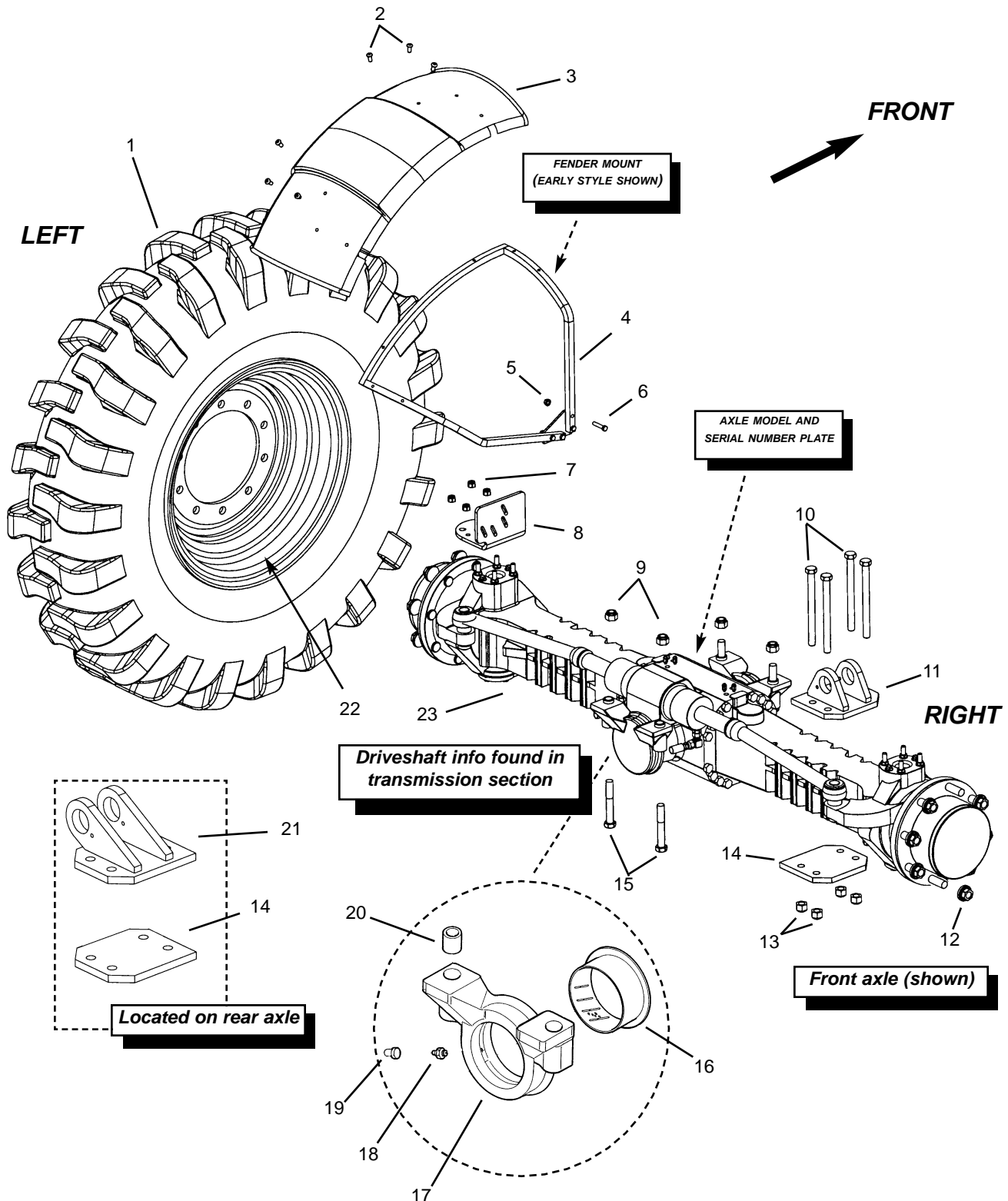
RS6-42/RS8-42/44



Ref. No.	Part No.	Description	Qty. Req.	Ref. No.	Part No.	Description	Qty. Req.
01	NSS	ASSY/DRIVE PLATE..... 1 <i>(included in item 6)</i>	1	04	L99785	SCREW/DRIVE PLATE MNTG 6	6
02	NSS	DRIVE PLATE 2 <i>(included in item 6)</i>	2	05	L99030	LOCKWASHER/DRIVEPLATE 6	6
03	L98316	RING/DRIVE PLATE BACKING ... 1	1	06	L98317	KIT/DRIVE PLATE ASSY 1 <i>(includes items 1 thru 5)</i>	1



Ref. No.	Part No.	Description	Qty. Req.	Ref. No.	Part No.	Description	Qty. Req.
01	L98291	HOUSING MODULATOR VALVE	2	09	L98301	SPACER	2
02	L98292	O-RING	2	10	L98300	SPRING	2
03	L98293	PIN STOP	2	11	L98958	SPOOL	2
04	L98294	SPRING INNER	2	12	L98298	SLEEVE-MODULATION VALVE	2
05	L98295	SPRING MIDDLE	2	13	L98307	O-RING	2
06	L98304	SPRING OUTER	2	14	L98957	PIN-LOWER	2
07	L98303	SPOOL ACCUMULATOR	2	15	L98956	PIN-UPPER	2
08	L98302	RETAINER	2				



Telescopic Handler

Axles Mounts, Tires and Fenders

Ref. No.	Part No.	Description	Qty. Req.	Ref. No.	Part No.	Description	Qty. Req.
01		TIRE.....	4	14	102190	PLATE, MOUNT	2
	L47270	13.00X24		15	651543	M20-2.50X130 C10.9 BOLT	4
	L71758	13.00X24 (Rock)		16	L500543	THRUST BUSHING.....	2
02 ^a	L50253	3/8"-16 BUTTON HD BOLT	6	17	L500544	SUPPORT	2
03 ^a	L99951	FENDER	1	18	L98355	GREASE FITTING.....	2
04 ^a		FENDER MOUNT (LF/RR)	1	19	L500496	PLUG	2
	105202	(round tubing - late style)		20	L500542	REDUCTION BUSING	4
	100008	(square tubing - early style)		21	102272	STABILIZER MOUNT (rear axle)...	1
05 ^a	L50061	3/8"-16 FLANGE LOCK NUT	4	22	L69114	WHEEL RIM 24X9.00	4
06 ^a	L50836	3/8"-16X1-3/4" BOLT	4	23 ^b		AXLE ASSEMBLY, 212 HY	
07 ^a	102587	NUT	4		102122	FRONT (with internal park brake)..	1
08 ^a	102569	MOUNT (LF/RR)	1		102123	REAR.....	1
09	L50201	M20-2.5 CLASS 10 LOCK NUT ...	4				
10	L50712	3/4"-10X9" GR8 BOLT.....	8				
11	102191	FRAME LEVEL MNT (front axle)...	1				
12	L69734	M22-1.5 WHEEL NUT	AR				
13	L50084	3/4"-10 GR8 LOCK NUT	8				
						-- ITEMS NOT SHOWN --	
				00	L63222	VALVE STEM	AR

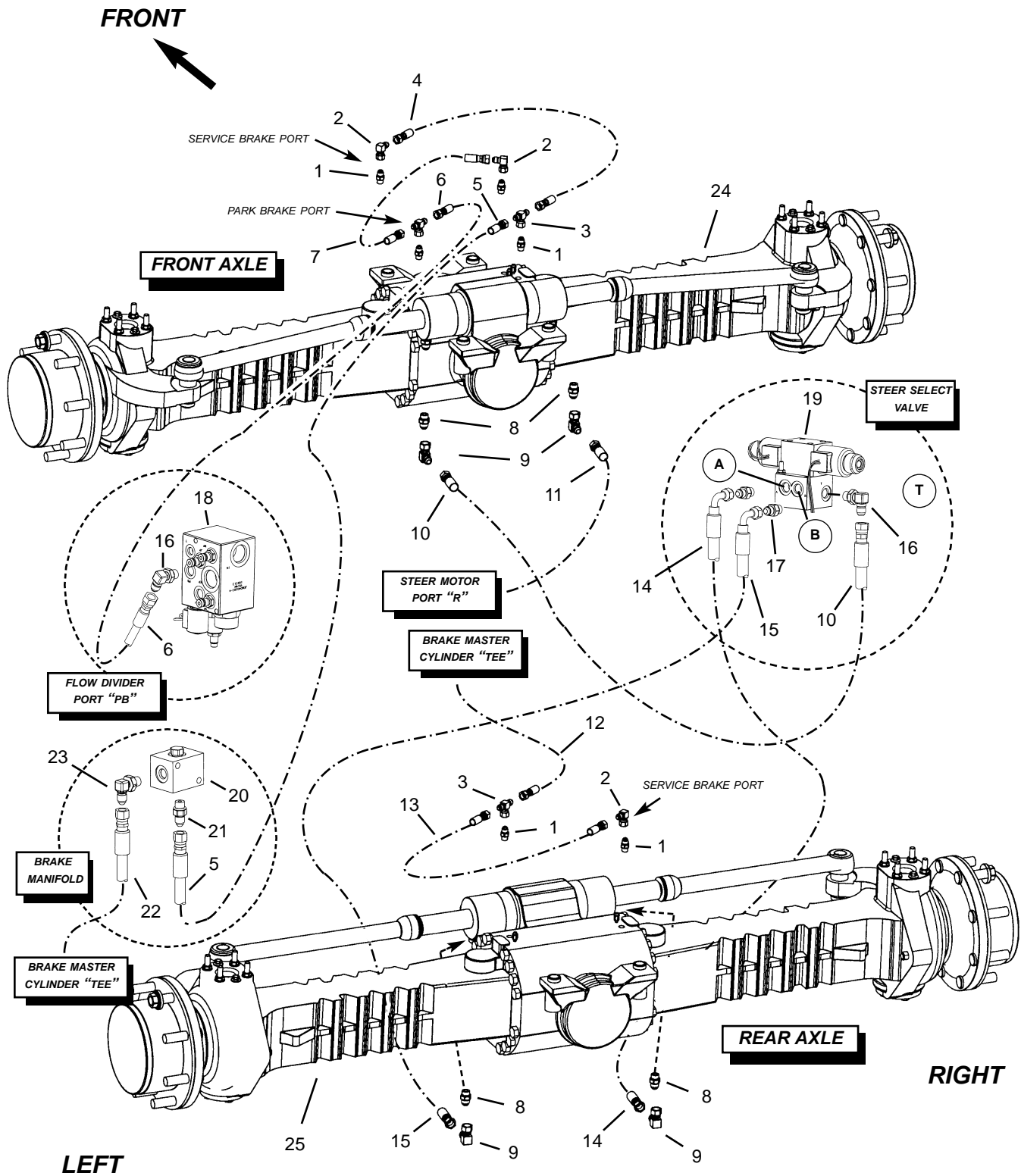
a Available only on the left side of the front axle.

b Does not include any other items shown in illustration.

Axles

Brake and Steering Hydraulic Circuit

RS6-42/RS8-42/44



Telescopic Handler

Axles

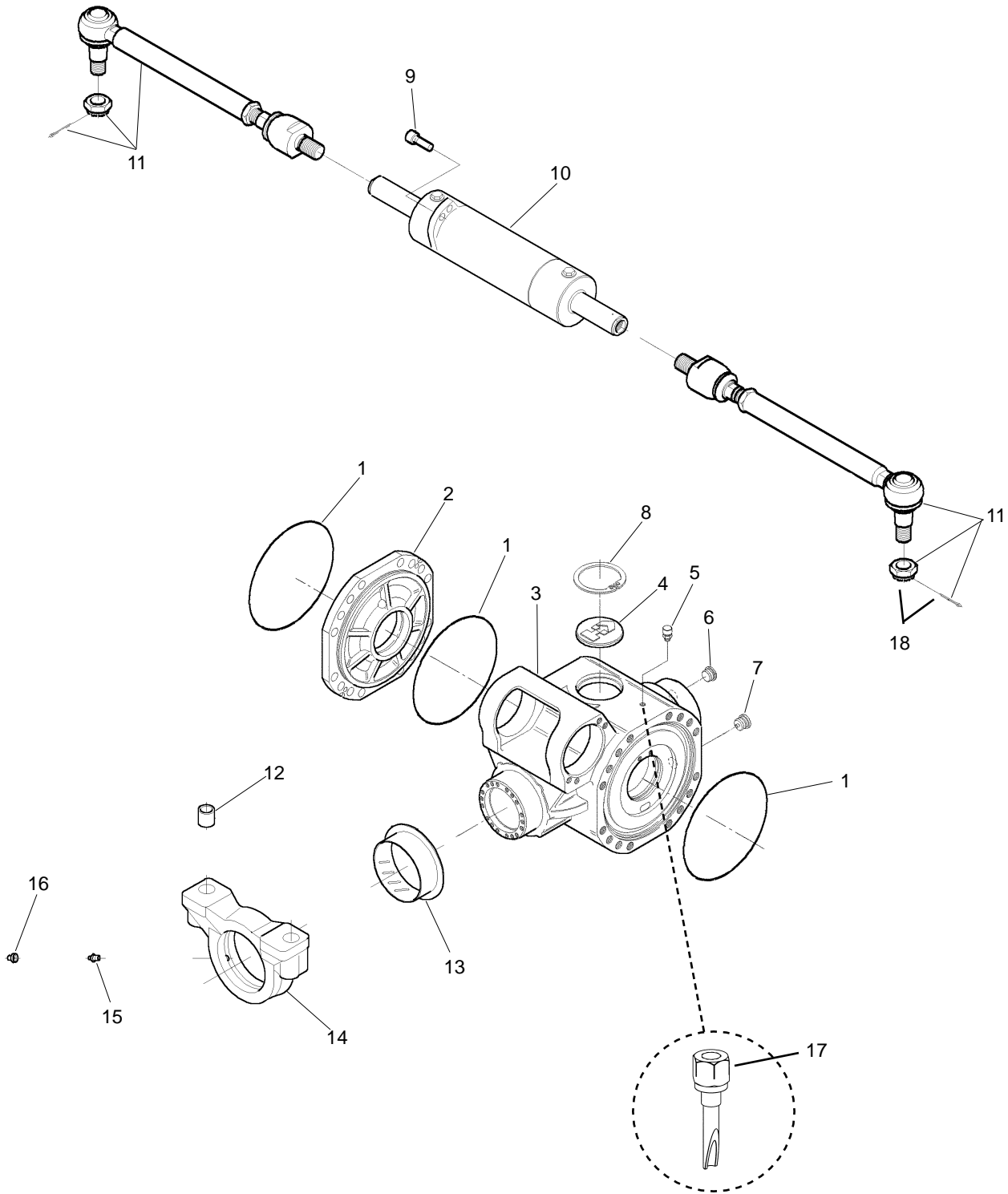
Brake and Steering Hydraulic Circuit

Ref. No.	Part No.	Description	Qty. Req.	Ref. No.	Part No.	Description	Qty. Req.
01	L66139	ADAP, M14X1.5ORM -6JICM	6	14	L69936	HOSE, -6 A6/A8 100"	1
02	L60653	ADAP, -6JICFS -6JICM 90	3	15	L69936	HOSE, -6 A6/A8 100"	1
03	P471370	ADAP, -6 SWIVEL TEE	3	16	L445003	ADAP, -6ORM -6JICM 90 DEG	2
04	L69928	HOSE, -4 A6/A6 25"	1	17	L444002	ADAP, -6ORM -6JICM STR.	2
05	102842	HOSE, -4 A6/A4 66"	1	18	102313	FLOW DIVIDER VALVE	1
06	102839	HOSE, -4 A6/A6 57"	1	19	L69747	VALVE, STEER SELECT	1
07	L69928	HOSE, -4 A6/A6 25"	1	20	L70428	MANIFOLD, BRAKE LINE.	1
08	100011	ADAP, M18 ORM - 8JICM STR.	4	21	L444005	ADAP, -4ORM -4JICM STR.	1
09	L446017	ADAP, -8JICFS -8JICM 90	4	22	102841	HOSE, -4 A4/A4 38"	1
10	102848	HOSE, -6 A6/A8 48"	1	23	L51591	ADAP, -4ORM -4JICM 90 DEG	1
11	102847	HOSE, -6 A8/DS8 82"	1	24	102122	AXLE, FRONT (<i>w/ int. park brake</i>)	1
12	102840	HOSE, -4 A4/A6 90"	1	25	102123	AXLE, REAR	1
13	L69928	HOSE, -4 A6/A6 25"	1				

Axles

RS6-42/RS8-42/44

Tie Rods, Steer Cylinder and Center Housing (Front and Rear)



Telescopic Handler

Axles

Tie Rods, Steer Cylinder and Center Housing (Front and Rear)

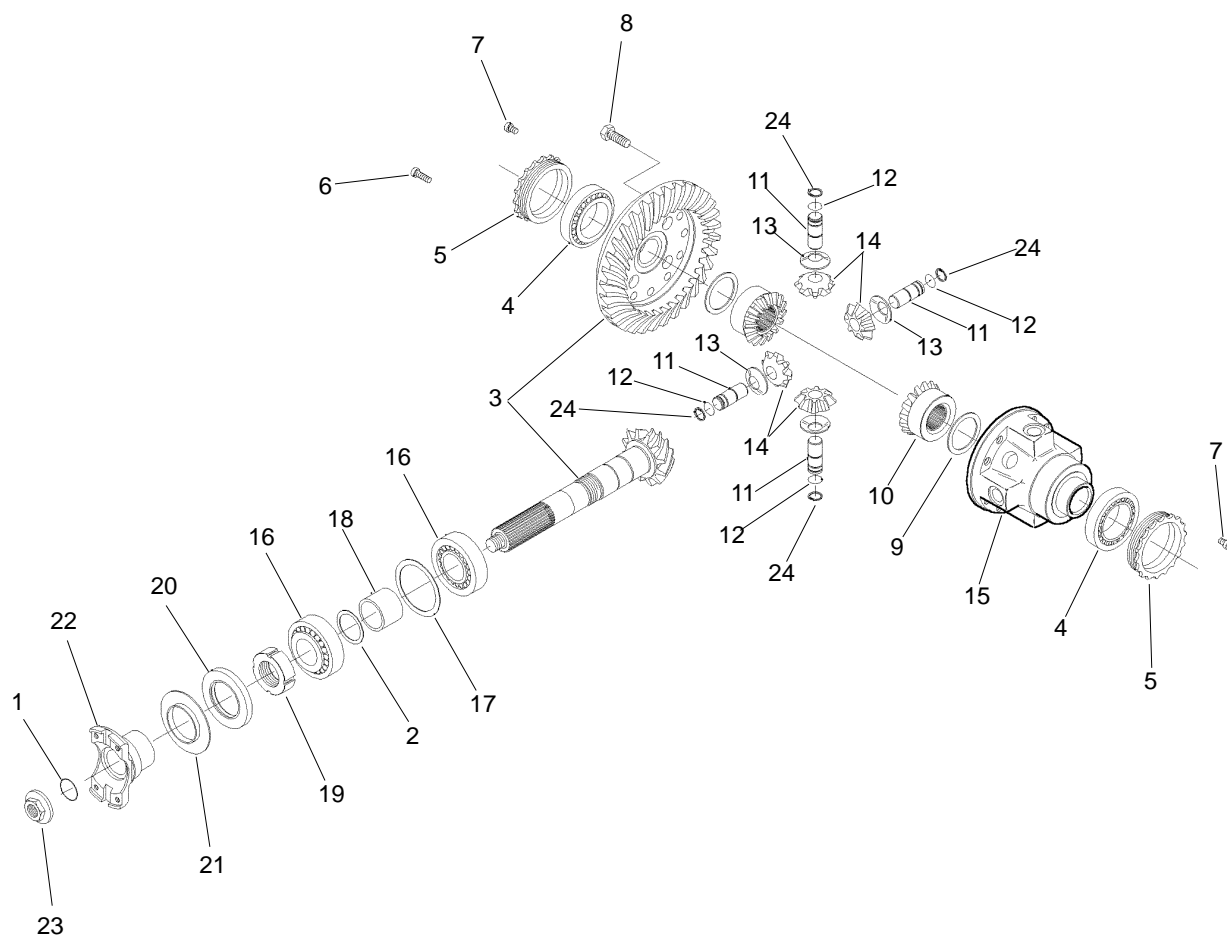
Ref. No.	Part No.	Description	Qty. Req.	Ref. No.	Part No.	Description	Qty. Req.
NOTE: All quantities are per axle				10 ^a	102577	CYLINDER.	1
01	L98417	O-RING	3	11	102578	ARTICULATED TIE ROD	2
02	L500451	INTERMEDIATE COVER	1	12	L500542	REDUCTION BUSHING	4
03	102573	HOUSING	1	13	L500543	THRUST BUSHING.	2
04	102574	PLUG	1	14	L500544	SUPPORT	2
05	104231	VENT	1	15	L98355	GREASE FITTING.	2
06	102575	PLUG	1	16	L500496	PLUG	2
07	102576	MAGNETIC PLUG.	1	17	103788	BREATHER TUBE.	1
08	L98373	SNAP RING.	1	18	104431	NUT AND COTTER PIN KIT AR	
09	L500539	CYLINDER BOLT	4			<i>(includes with item # 11)</i>	

a Seal kit for steer cylinder is P/N 103118.

Axles

Differential (Front and Rear)

RS6-42/RS8-42/44



Telescopic Handler

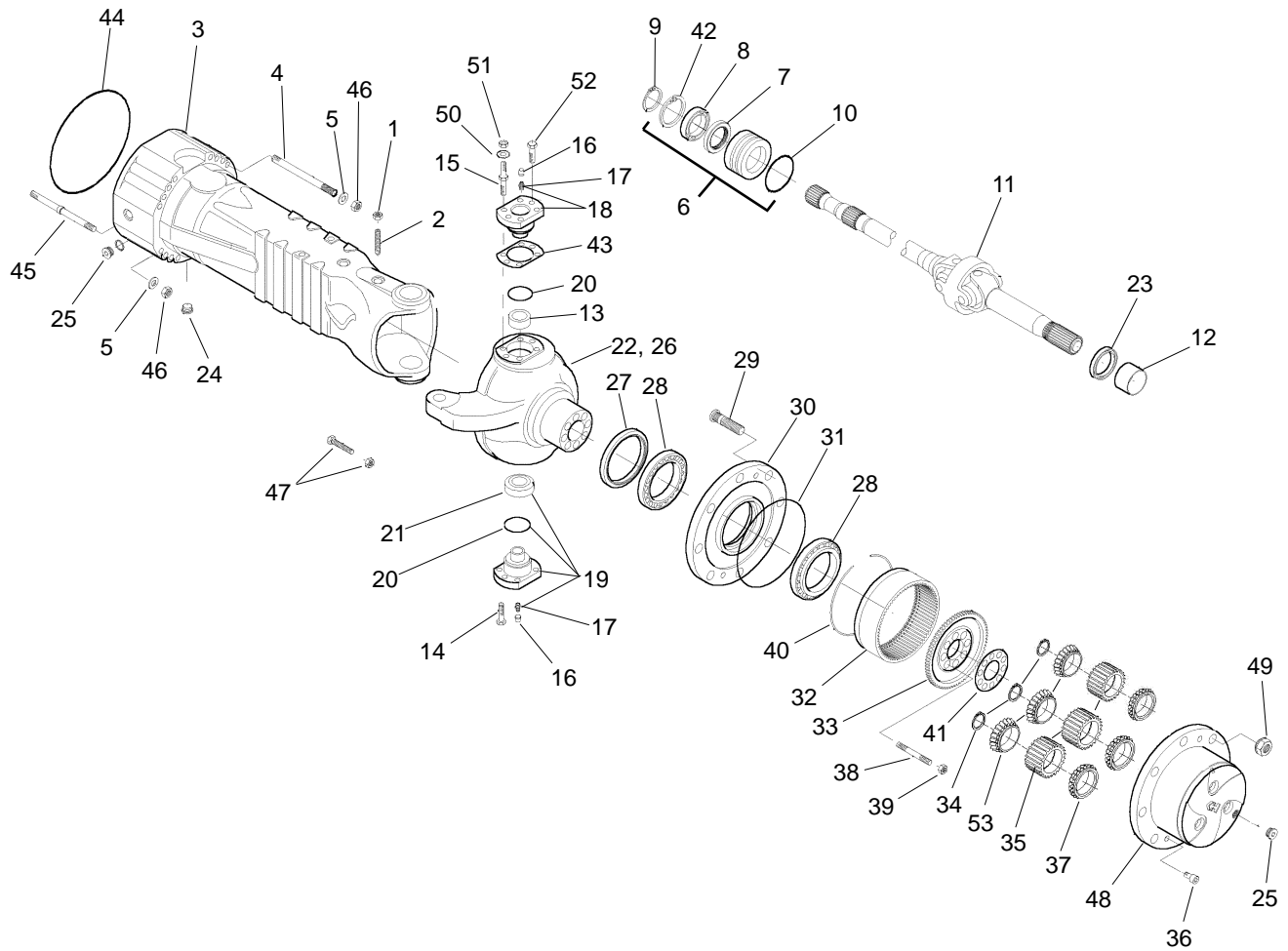
Axles *Differential (Front and Rear)*

Ref. No.	Part No.	Description	Qty. Req.	Ref. No.	Part No.	Description	Qty. Req.
NOTE: All quantities are per axle				11	L500470	PIN.	4
01	L500457	O-RING	1			(includes item #12)	
02	L500459	SHIM	1	12	L500471	SNAP RING.	4
	L500460	SHIM	1	13	L500472	FRICTION WASHER.	4
	L500461	SHIM	1	14	L500473	DIFFERENTIAL PINION	4
	L500462	SHIM	1	15	L500474	DIFFERENTIAL CARRIER	1
03		BEVEL GEAR SET	1	16	L500475	TAPER ROLLER BEARING	2
	102579	(Front Axle)	1	17	L98404	SHIM	1
	102580	(Rear Axle).	1		L98406	SHIM	1
04	L98380	TAPER ROLLER BEARING	2		L500476	SHIM	1
05	L500464	RING NUT	2		L500477	SHIM	1
06	L500465	CYLINDER BOLT	4	18	L500478	SPACER	1
07	L500466	CYLINDER BOLT	2	19	L98396	RING NUT.	1
08	L500467	BOLT	12	20	L98395	SEAL	1
09	L500468	FRICTION WASHER.	2	21	L98394	COVER PLATE	1
10	L500469	DIFFERENTIAL SIDE GEAR	2	22	102863	FLANGE	1
				23	L500480	NUT	1
				24	L500481	SNAP RING.	4

Axles

RS6-42/RS8-42/44

Outer End (Front and Rear)



Telescopic Handler

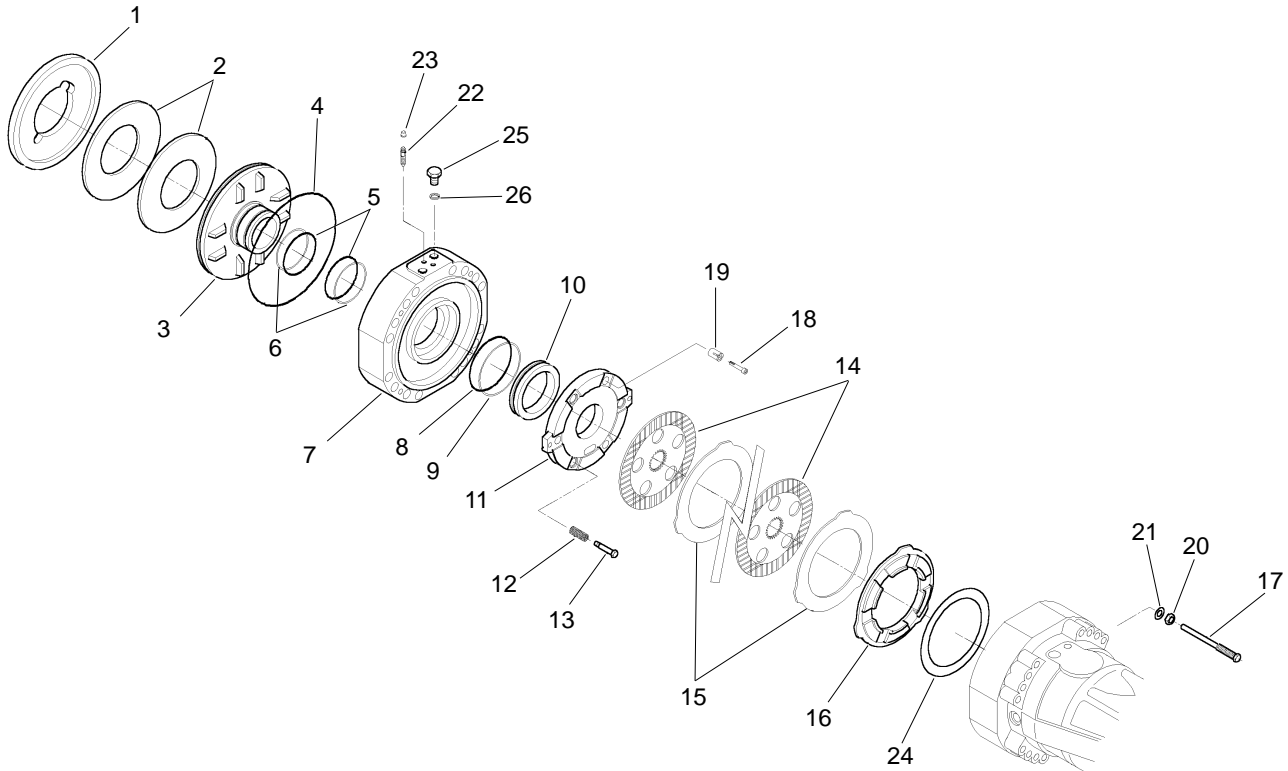
Axles Outer End (Front and Rear)

Ref. No.	Part No.	Description	Qty. Req.	Ref. No.	Part No.	Description	Qty. Req.
NOTE: All quantities are per axle				27	102599	SEAL	2
01	L500483	NUT	2	28	102600	BEARING.	4
02	102581	BOLT	2	29	102601	WHEEL STUD	20
03	102582	AXLE CASE	2	30	102602	WHEEL HUB	2
04	102584	STUD	24	31	102603	O-RING	2
05	L500487	WASHER	32	32	102604	RING GEAR	2
06	L500488	REDUCTION BUSHING (incl. 7, 8, 10 and 42)	2	33	102605	RING GEAR SUPPORT	2
07	L500489	SEAL	2	34	102606	SNAP RING	6
08	L98371	BALL BEARING.	2	35	102607	DIFFERENTIAL PINION	6
09	L98372	SNAP RING	2	36	L500515	COUNTERSUNK BOLT.	4
10	L500490	O-RING	2	37	102900	BEARING.	6
11	102586	SHAFT ASSEMBLY	2	38	L500517	STUD	20
12	102588	THRUST BUSHING	2	39	L500518	NUT	20
13	102589	BUSHING	2	40	102608	SNAP RING	2
14	L500467	BOLT	12	41	102609	LOCKING PLATE	2
15	102893	STUD	8	42	L98373	SNAP RING.	2
16	L500496	PLUG	4	43	102610	SHIM	2
17	L98355	GREASE FITTING.	4		102611	SHIM	2
18	102590	PIVOT PIN.	2		102612	SHIM	2
19	102591	PIVOT PIN.	2	44	L98417	O-RING	2
20	102592	DUST EXCLUDER	4	45	102614	STUD	8
21	102593	BEARING.	2	46	102615	NUT	32
22	102594	STEERING CASE (LF and RR) . . . (includes item 12)	1	47	102438	STEERING ADJUST BOLT ASY. . . .	4
23	102595	SEAL	2	48	102616	PLANET GEAR CARRIER	2
24	102576	MAGNET PLUG.	2	49	L69734	WHEEL NUT	20
25	102575	PLUG	4	50	102583	WASHER.	8
26	102598	STEERING CASE (RF and LR) . . . (includes item 12)	1	51	102587	NUT	8
				52	102896	HEXAGON BOLT.	4
				53	102899	BEARING.	6

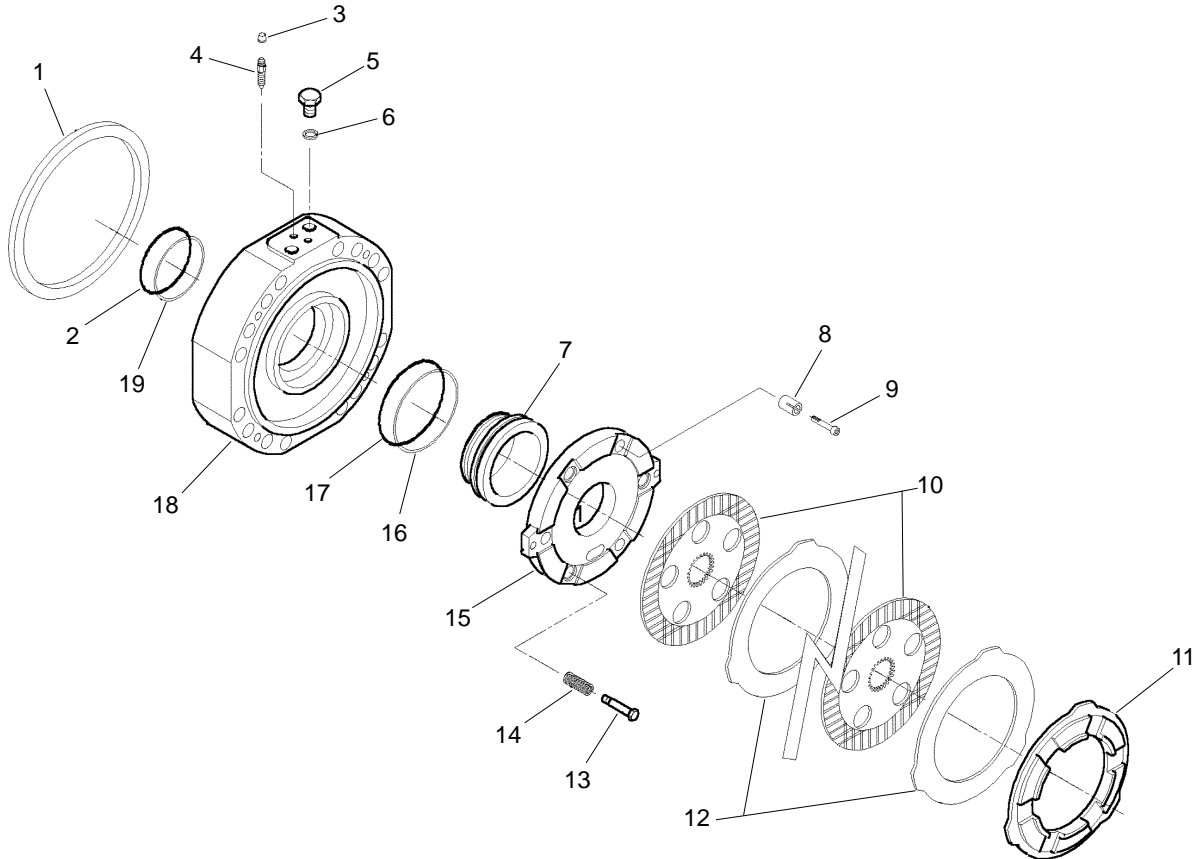
Axles

Brakes (Front)

RS6-42/RS8-42/44



Ref. No.	Part No.	Description	Qty. Req.	Ref. No.	Part No.	Description	Qty. Req.
NOTE: All quantities are per axle				15	L500536	INTERMEDIATE BRAKE DISC	8
01	102617	SPACER	2	16	102629	SPACER	2
02	102618	SPRING	4	17	102630	BOLT	4
03	102619	PISTON	2	18	102631	ADJUSTING BOLT	6
04	102620	O-RING	2	19	102632	SPRING	6
05	102621	O-RING	4	20	102633	NUT	4
06	102622	BACKUP RING	4	21	102634	LOCK WASHER	4
07	102623	COVER	2	22	L98430	BLEEDING BOLT	4
08	L98368	O-RING	2	23	L500496	PLUG	4
09	102624	BACKUP RING	2	24	102635	SHIM (20mm)	2
10	102625	PISTON	2		102636	SHIM (30mm)	2
11	102626	INTERMEDIATE BRAKE DISC	2		102637	SHIM (50mm)	2
12	102627	SPRING	6	25	102638	BOLT	4
13	102628	ADJUSTING BOLT	6	26	102639	SEAL WASHER	4
14	L500527	BRAKE DISC	8				

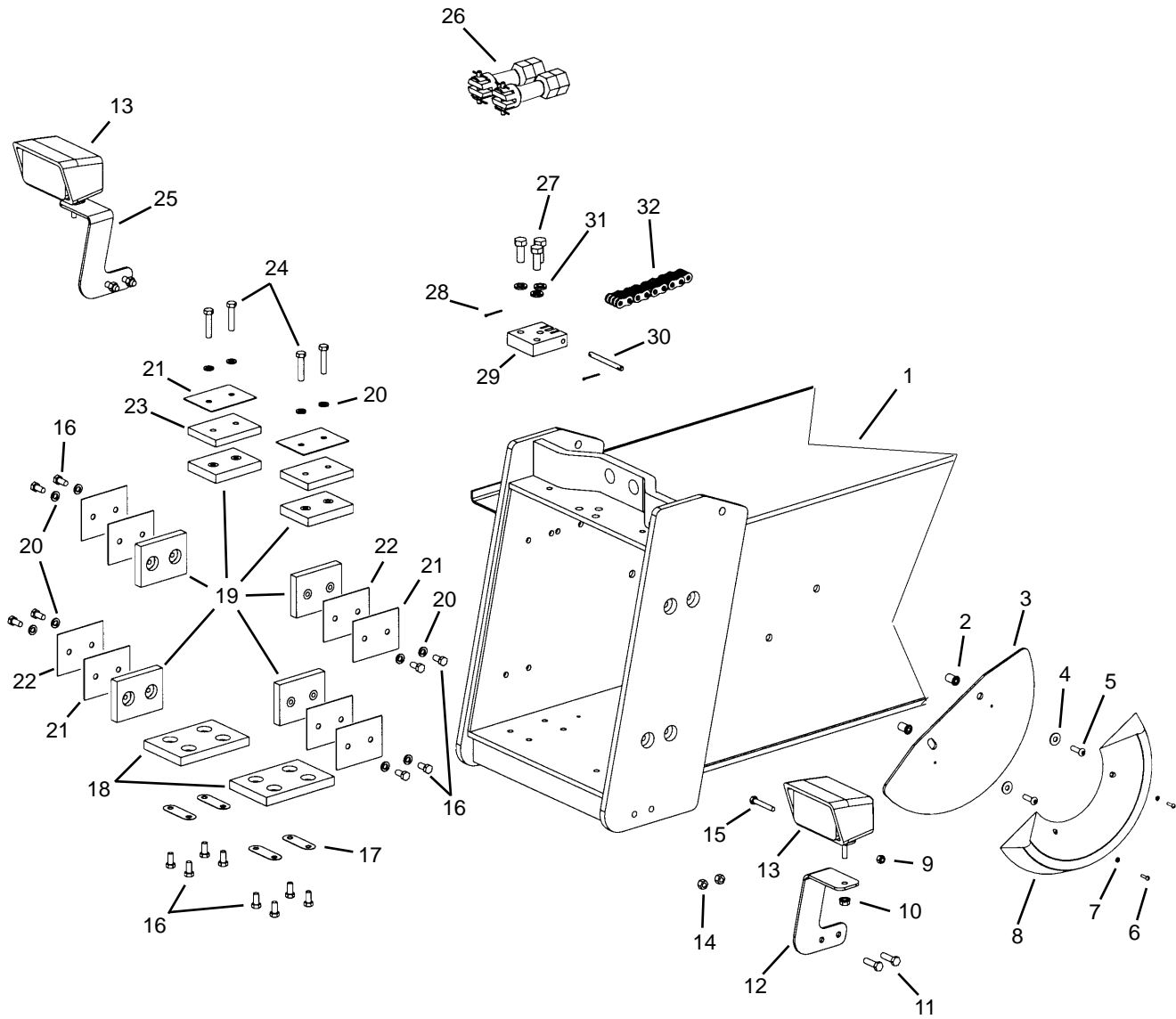


Ref. No.	Part No.	Description	Qty. Req.	Ref. No.	Part No.	Description	Qty. Req.
NOTE: All quantities are per axle				10	L500527	BRAKE DISC.....	8
01	102644	SPACER	2	11	102629	SPACER	2
02	102622	BACK-UP RING.....	2	12	L500536	INTERMEDIATE BRAKE DISC....	8
03	L500496	PLUG.....	2	13	102628	ADJUSTING BOLT	6
04	L98430	BLEEDING BOLT	2	14	102627	SPRING.....	6
05	102638	BOLT	2	15	102626	INTERMEDIATE BRAKE DISC....	2
06	102639	SEAL WASHER.....	2	16	102624	BACKUP RING	2
07	102642	PISTON.....	2	17	L98368	O-RING	2
08	102632	SPRING.....	6	18	102898	COVER	2
09	102897	ADJUSTING BOLT	6	19	102621	O-RING	2

Boom

Outer Boom (Front)

RS6-42/RS8-42/44



Telescopic Handler

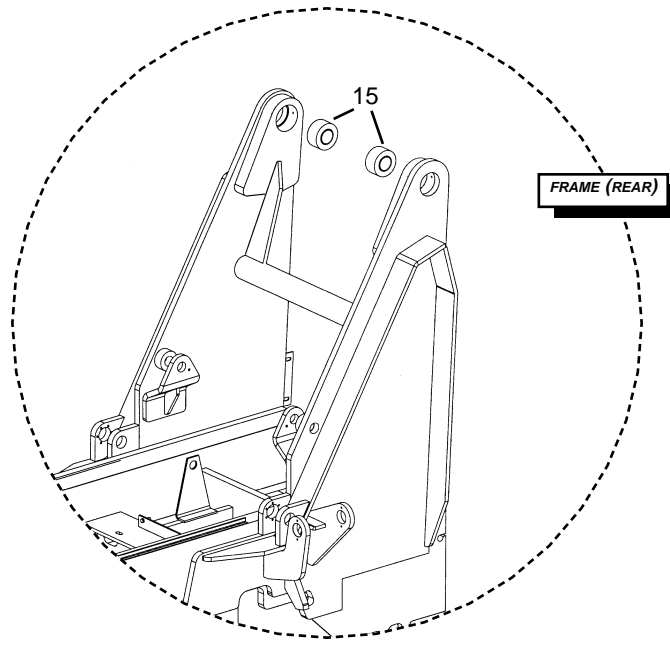
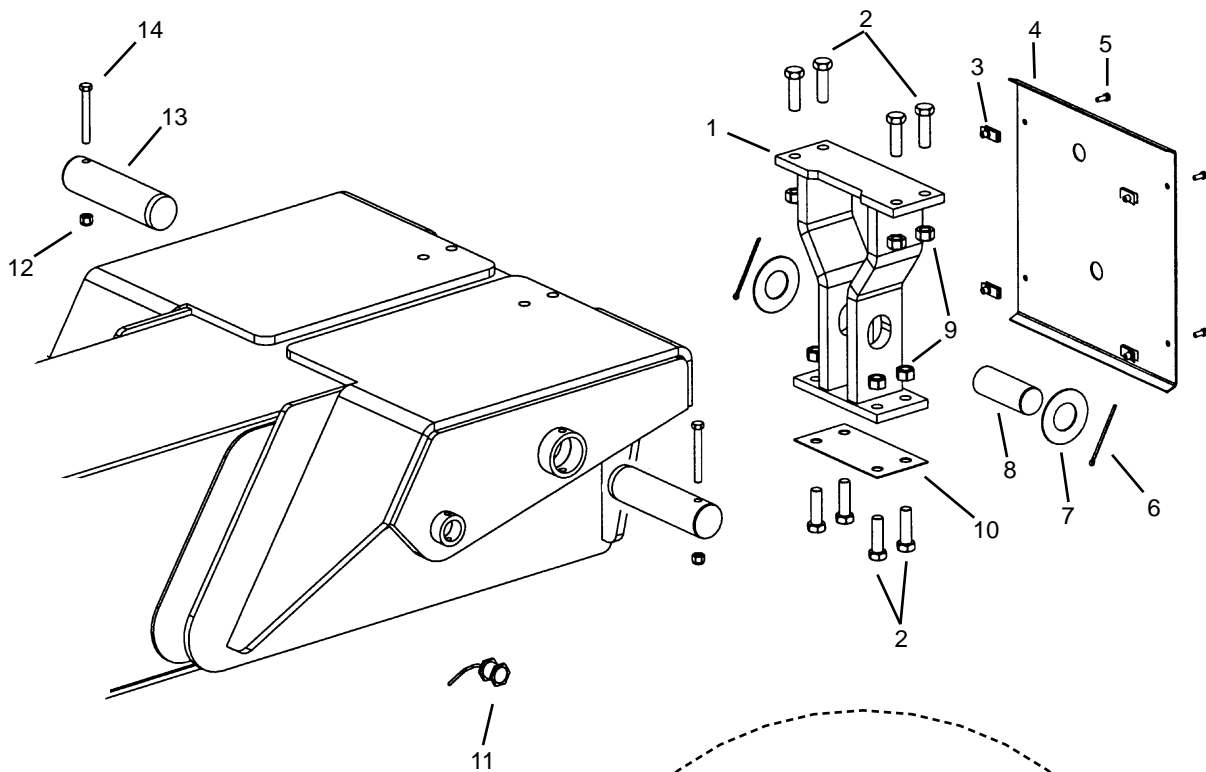
Boom Outer Boom (Front)

Ref. No.	Part No.	Description	Qty. Req.	Ref. No.	Part No.	Description	Qty. Req.
01		OUTER BOOM WELDMENT	1	19	L61709	SLIDE PAD	6
	102281	<i>42' boom models</i>		20	L50147	3/8" LOCK WASHER.	12
	102284	<i>44' boom models</i>		21	L62733	1/16"X3"X4" SHIM.	6
02	L70242	5/16-18 NUT INSERT	2	22	L62734	1/8"X3"X4" SHIM	4
03	L65640	BOOM ANGLE IND. PLATE	1	23	L64132	3/8" PAD SPACER.	2
04	650810	5/16" FLAT WASHER	2	24	L50403	3/8"-16X1-1/4" BOLT	4
05	L52048	5/16-18X1" BUTTON HD BOLT.	2	25	L70635	BOOM LIGHT BRACKET (RH)	1
06	651271	#8X3/8" RND HD MACH SCREW.	2	26	L64359	ADJUSTABLE CLEVIS PIN.	3
07	L50136	#10 LOCK WASHER	2		L50092	NUT, ADJUSTABLE CLEVIS	AR
08	L65638	INCLINOMETER - ANGLE IND.	1	27	L50380	1/2-20X1-1/4" GRD 8 BOLT	3
09	L520004	5/16-18 NYLON INSERT NUT	2	28	L560003	3/32X1-1/4" COTTER PIN.	2
10	L50061	3/8-16 FLARE NUT	2	29	L64384	CLEVIS	1
11	L52026	3/8-16X1-1/4" BOLT	4	30	L64468	CHAIN PIN	1
12	L70639	BOOM LIGHT BRACKET (LH)	1	31	L50152	1/2" LOCK WASHER.	3
13	L70040	WORK LIGHT	2	32	<i>Note a</i>	LEAF CHAIN	3
	L70462	LIGHT HARNESS (not shown)					
14	L520005	3/8-16 NYLON INSERT NUT	4				
15	L50835	5/16-18X2" BOLT.	2	<i>a</i>	<i>Refer to Intermediate Boom - Chain Group for a listing of chain components.</i>		
16	L50251	3/8"-16X3/4" BOLT	16				
17	L62715	FLAT-BOLT LOCK	4				
18	L61708	SLIDE PAD	2				

Boom

Outer Boom (Rear)

RS6-42/RS8-42/44



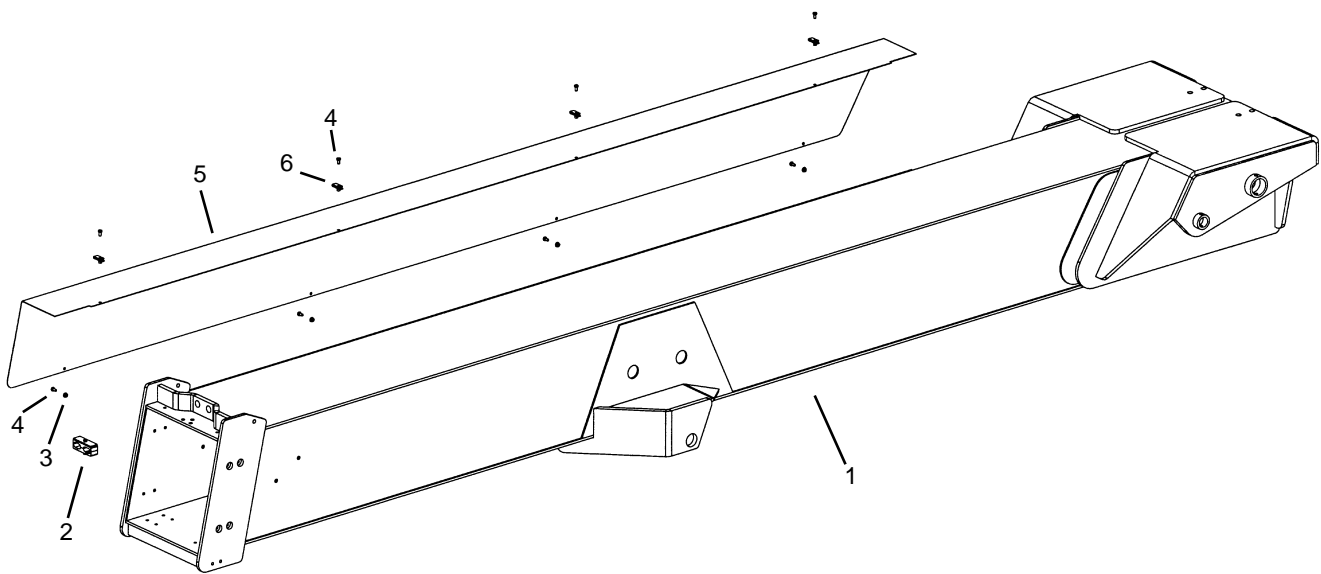
Telescopic Handler

Boom Outer Boom (Rear)

Ref. No.	Part No.	Description	Qty. Req.	Ref. No.	Part No.	Description	Qty. Req.
01	102335	EXTEND CYLINDER, WELDMENT	1	10	L70420	SHIM, TRUNNION.....	1
02	650711	3/4"-10X3" BOLT GR8.....	8	11	L71165	SWITCH, PROXIMITY.....	1
03	L530004	5/16" FASTENER, RETAINED	4	12	L520019	1/2"-13 NYLON INSERT NUT.....	2
04	102710	COVER, REAR BOOM.....	1	13	L64060	PIN, BOOM.....	2
05	L50230	5/16"-18x3/4" BOLT.....	4	14	L50892	1/2"-13X4" BOLT.....	2
06	L50608	PIN, COTTER 3/16"X4".....	2	15	L810005	BEARING, SELF ALIGNING.....	2
07	L400207	WASHER, THRUST.....	2				
08	L69994	PIN, ROD END.....	1				
09	L50519	3/4"-10 NYLON INSERT NUTS.....	8	a	<i>Refer to Intermediate Boom - Chain Group for a listing of chain components.</i>		

Boom
Outer Boom Side Cover

RS6-42/RS8-42/44



Telescopic Handler

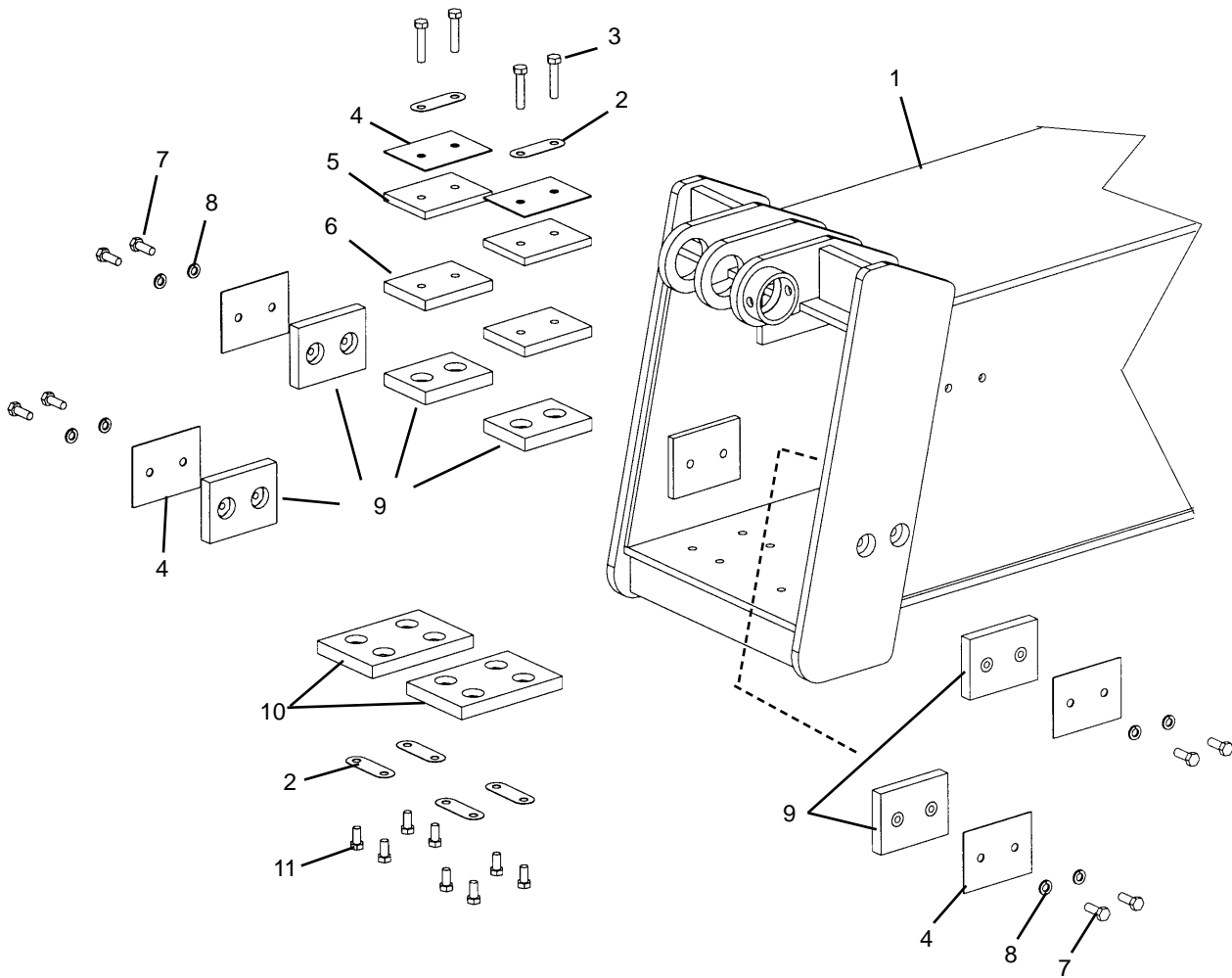
Boom Outer Boom Side Cover

Ref. No.	Part No.	Description	Qty. Req.	Ref. No.	Part No.	Description	Qty. Req.
01		OUTER BOOM WELDMENT	1	03	L50056	5/16"-18 WHIZ LOCK NUT	4
	102281	<i>42' boom models</i>		04	L510008	5/16"-18X5/8" BOLT	8
	102284	<i>44' boom models</i>		05	102288	COVER, BOOM SIDE	1
02	L79167	CLAMP ASSEMBLY	1	06	L530004	5/16" FASTENER, RETAINED	4

Boom

RS6-42/RS8-42/44

Intermediate Boom (Front)

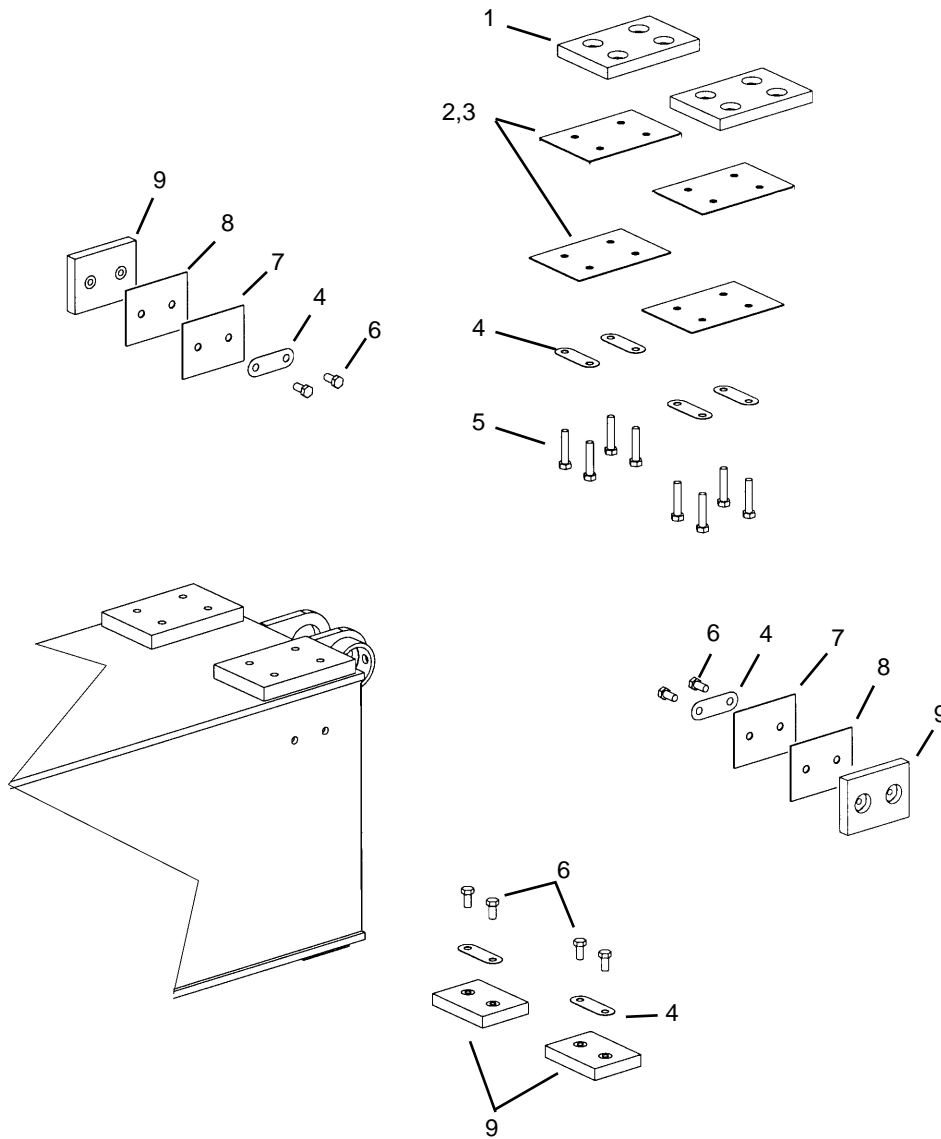


Telescopic Handler

Boom

Intermediate Boom (Front)

Ref. No.	Part No.	Description	Qty. Req.	Ref. No.	Part No.	Description	Qty. Req.
01		INTERMEDIATE WELDMENT.....	1	06	L64143	1/2"X3"X4" SHIM.....	2
	102282	<i>42' boom models</i>		07	L50367	3/8"-16X1" BOLT.....	8
	102285	<i>44' boom models</i>		08	L50147	3/8" LOCK WASHER.....	8
02	L62715	FLAT-BOLT LOCK.....	6	09	L61709	SLIDE PAD.....	6
03	L50261	3/8"-16X1-1/2" BOLT.....	4	10	L61708	SLIDE PAD.....	2
04	L62733	1/16"X3"X4" SHIM.....	6	11	L50251	3/8"-16X3/4" BOLT.....	8
05	L62734	1/8"X3"X4" SHIM.....	2				



Telescopic Handler

Boom

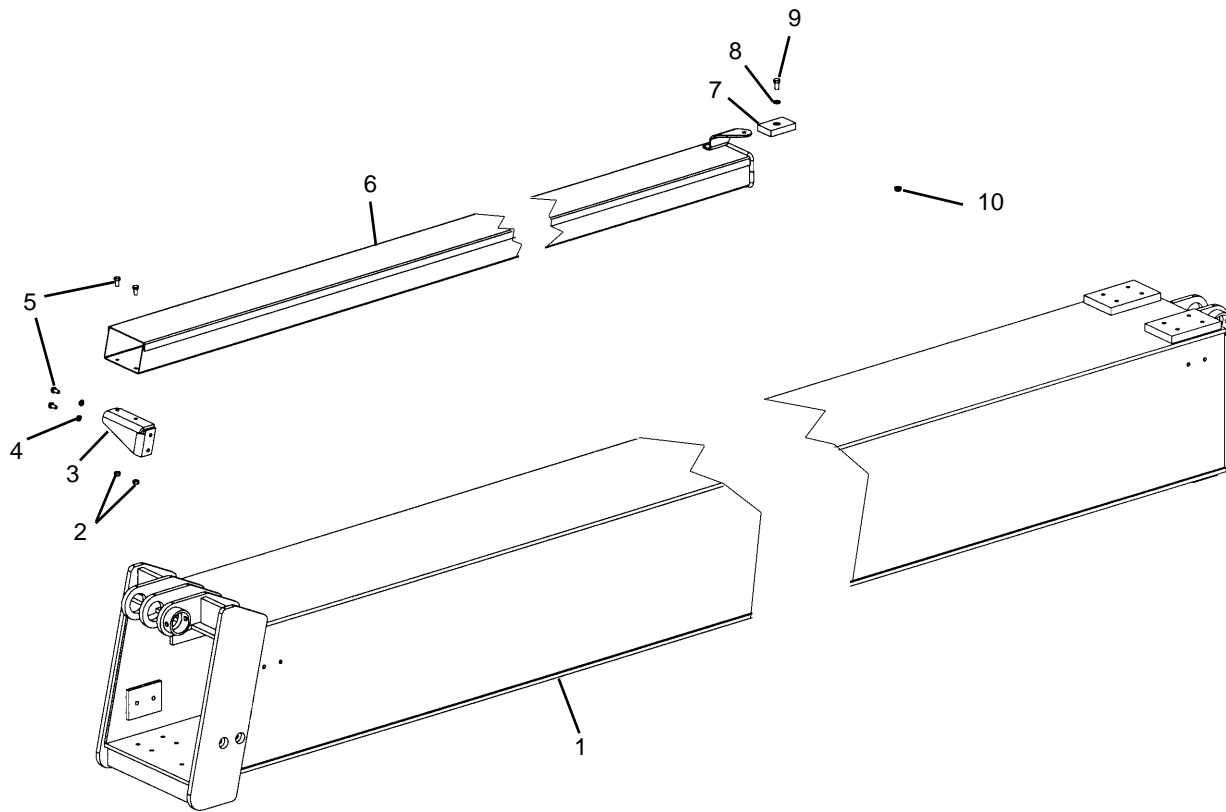
Intermediate Boom (Rear)

Ref. No.	Part No.	Description	Qty. Req.	Ref. No.	Part No.	Description	Qty. Req.
01	L61708	SLIDE PAD	2	06	L50251	3/8-16X3/4" BOLT	8
02	L62731	1/16"X4"X6" SHIM	AR	07	L62733	1/16"X3"X4" SHIM.....	2
03	L62732	1/8"X4"X6" SHIM	AR	08	L62734	1/8"X3"X4" SHIM.....	2
04	L62715	FLAT-BOLT LOCK.....	10	09	L61709	SLIDE PAD	4
05	L50403	3/8-16X1-1/4" BOLT	8				

Boom

Intermediate Boom Hose Tray

RS6-42/RS8-42/44



Telescopic Handler

Boom

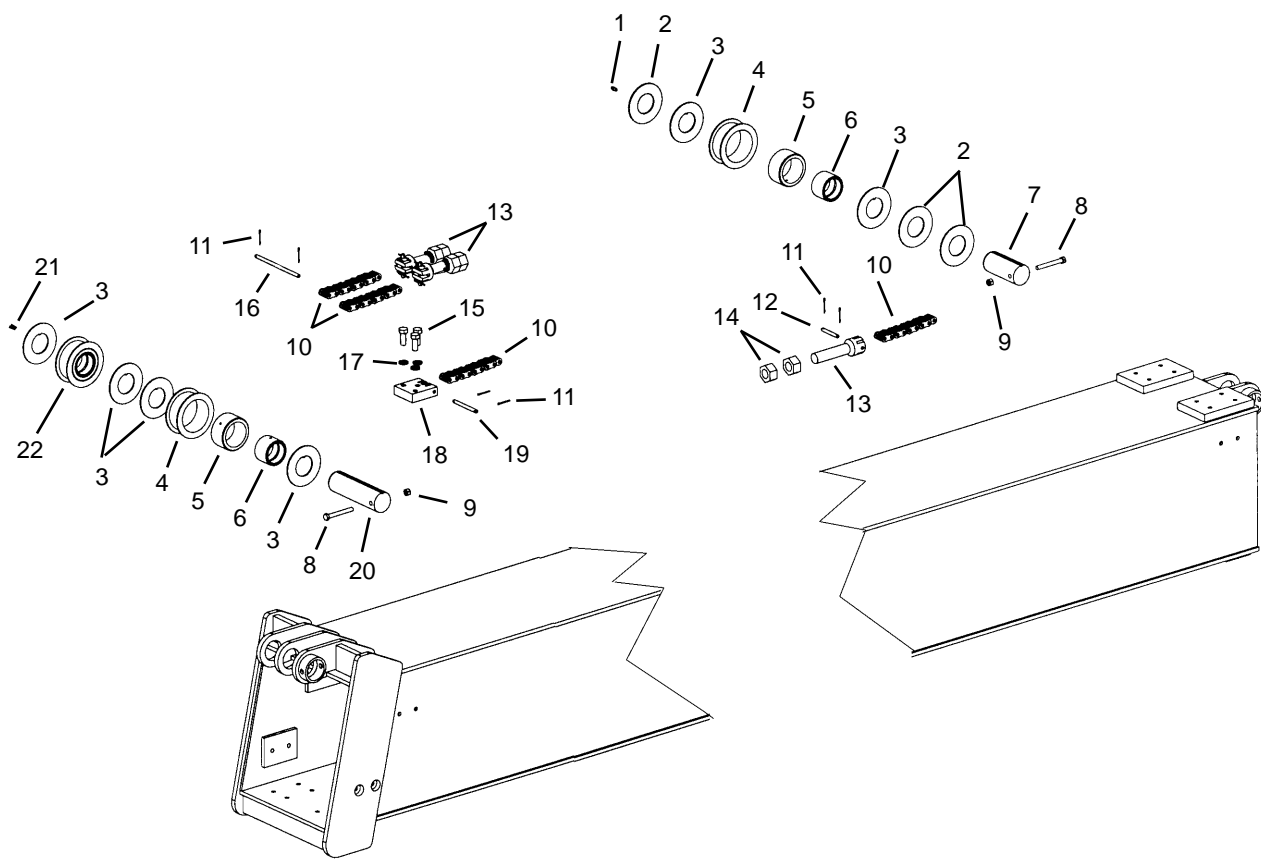
Intermediate Boom Hose Tray

Ref. No.	Part No.	Description	Qty. Req.	Ref. No.	Part No.	Description	Qty. Req.
01		INTERMEDIATE WELDMENT	1	06		TRAY WELDMENT	1
	102282	<i>42' boom models</i>			L69501	<i>42' boom models</i>	
	102285	<i>44' boom models</i>			L69511	<i>44' boom models</i>	
02	L520004	5/16-18 NYLON INSERT NUT	2	07	L61699	2X3X1 SLIDE PAD	1
03	L69524	TRAY BRACKET	1	08	L50147	3/8" LOCK WASHER	1
	102132	PLATE, CUSHION MNT (<i>weld on</i>)		09	L50251	3/8-16X3/4" BOLT	1
04	L50143	5/16" LOCK WASHER	2	10	L50056	5/16-18 FLARE NUT	1
05	L510008	5/16-18X5/8" BOLT	4				

Boom

Chain and Rollers

RS6-42/RS8-42/44



Telescopic Handler

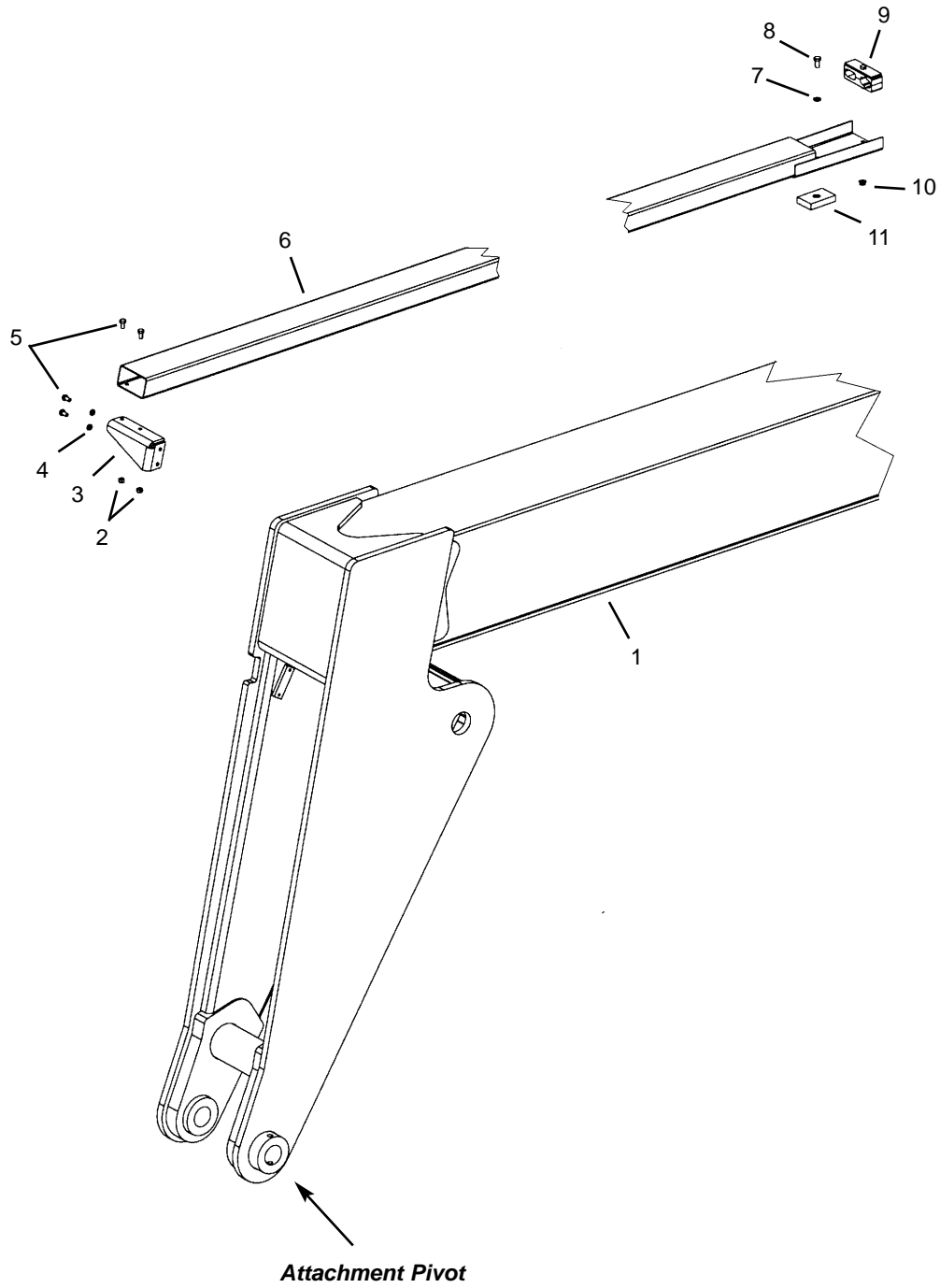
Boom Chain and Rollers

Ref. No.	Part No.	Description	Qty. Req.	Ref. No.	Part No.	Description	Qty. Req.
01	L10057	1/4-28 ZERK, 90 DEG.....	1	12	L64466	CHAIN ADJUST CLEVIS PIN.....	3
02	L400207	THRUST WASHER.....	3	13	L64359	ADJUSTABLE CLEVIS.....	3
03	L71205	CHAIN SHEAVE WASHER.....	6	14	L50092	1"-8 NUT.....	6
04	L64360	CHAIN SHEAVE.....	3	15	L50380	1/2-20X1-1/4" BOLT.....	3
05	L49618	ROLLER BEARING.....	3	16	L64467	PIN, REAR CHAIN LOW INNER...	1
06	L49619	INNER RING.....	3	17	L50152	1/2" LOCK WASHER.....	3
07	L71206	REAR SHEAVE PIN.....	1	18	L64384	CLEVIS, TOP REAR INNER.....	1
08	L50275	3/8-16X3 BOLT.....	3	19	L64468	PIN, CHAIN REAR UPPER INNR..	1
09	L520005	3/8-16 NYLON INSERT NUT.....	2	20	L71204	PIN, CHAIN SHEAVE.....	1
10		LEAF CHAIN.....	3	21	L10465	1/4-28 ZERK, STR.....	1
	102245	42' boom		22	NSS	(Items 4, 5 and 6 are shown preassembled.)	
	102246	44' boom					
11	L560003	3/32X1-1/4 COTTER PIN.....	10				

Boom

Inner Boom (Front)

RS6-42/RS8-42/44



Telescopic Handler

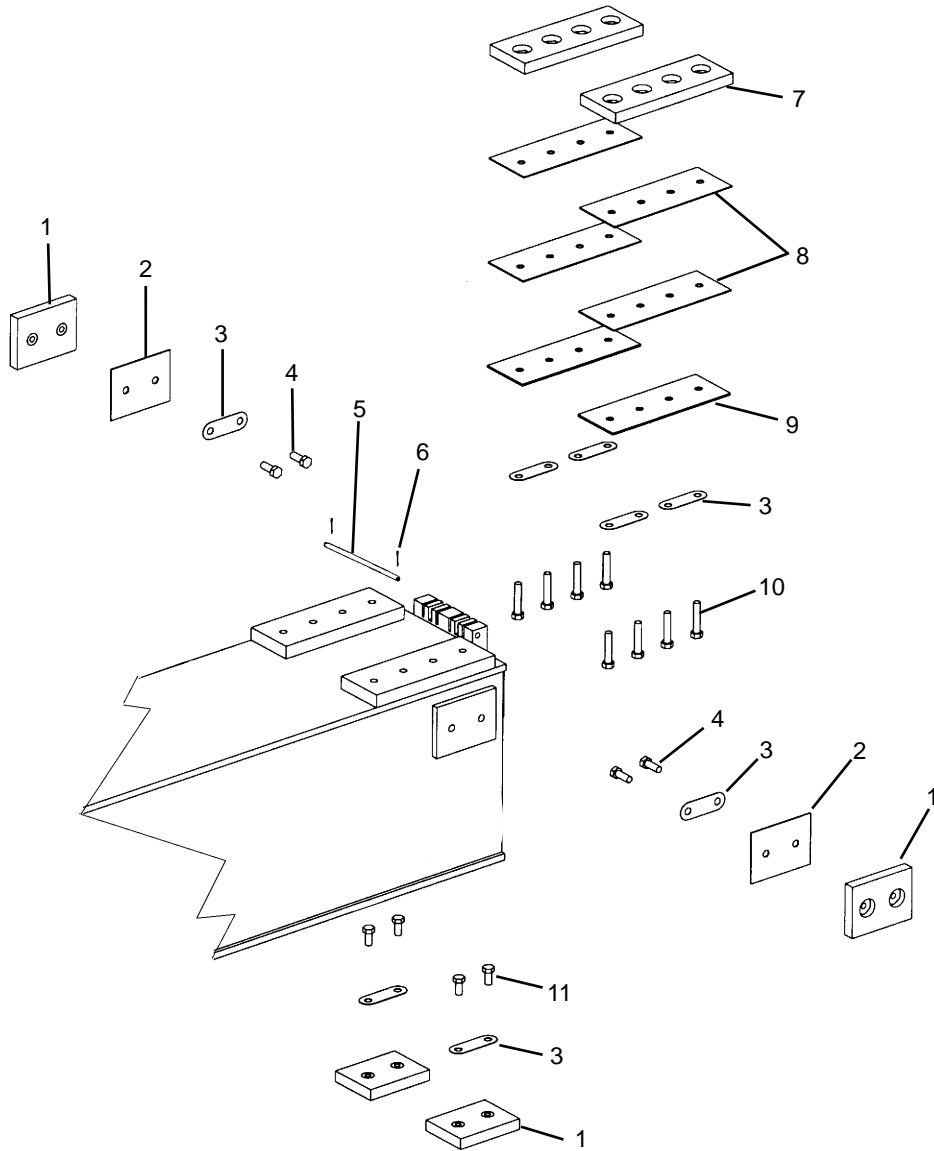
Boom Inner Boom (Front)

Ref. No.	Part No.	Description	Qty. Req.	Ref. No.	Part No.	Description	Qty. Req.
01		INNER WELDMENT	1	06		INNER TRAY WELDMENT	1
	102283	<i>42' boom models</i>			L69521	<i>42' boom models</i>	
	102286	<i>44' boom models</i>			L69523	<i>44' boom models</i>	
02	L520004	5/16-18 NYLON INSERT NUT	2	07	L50147	3/8" LOCK WASHER	1
03	L69525	INNER TRAY BRACKET	1	08	L50251	3/8"-16X3/4" BOLT	1
	102132	PLATE, CUSHION MNT (<i>weld on</i>)		09	L79167	HOSE CLAMP ASSEMBLY	1
04	L50143	5/16" LOCK WASHER	2	10	L50056	5/16-18 FLARE NUT	1
05	L510008	5/16-18X5/8" BOLT	4	11	L61699	2X3X1" SLIDE PAD	1

Boom

Inner Boom (Rear)

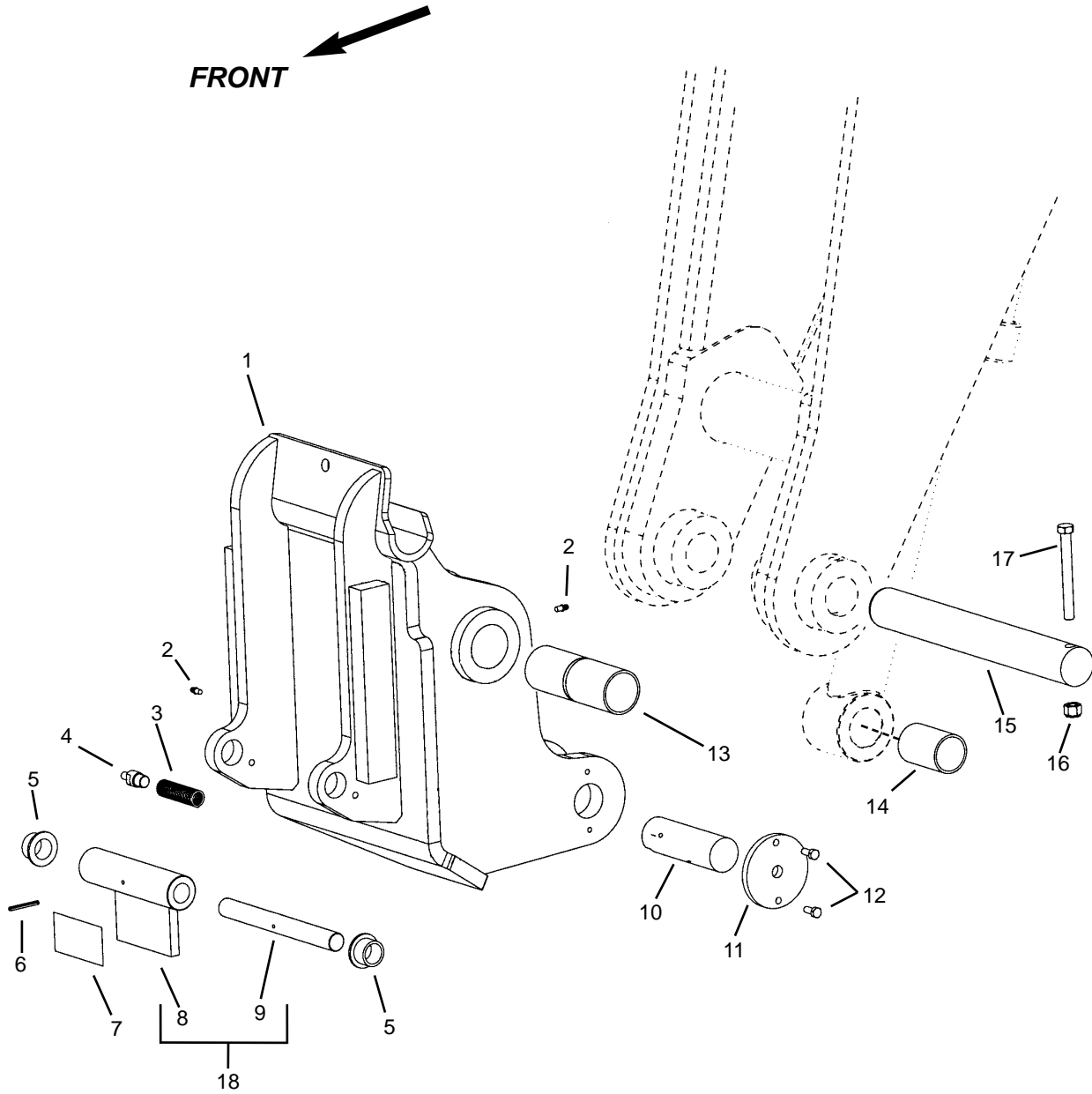
RS6-42/RS8-42/44



Telescopic Handler

Boom Inner Boom (Rear)

Ref. No.	Part No.	Description	Qty. Req.	Ref. No.	Part No.	Description	Qty. Req.
01	L61709	SLIDE PAD	4	07	L66780	SLIDE PAD	2
02	L62733	0.06X3X4 SHIM.....	4	08	L66782	0.06X3X8" SHIM.....	AR
03	L62715	FLAT-BOLT LOCK	AR	09	L66783	0.105X3X8" SHIM	2
04	L50367	3/8-16X1" BOLT	AR	10	L50836	3/8-16X1-3/4" BOLT	8
05	L64467	PIN, CHAIN REAR LOW INNER...	1	11	L50251	3/8-16X3/4" BOLT	4
06	L560003	3/32"X1-1/4" COTTER PIN	2				



Telescopic Handler

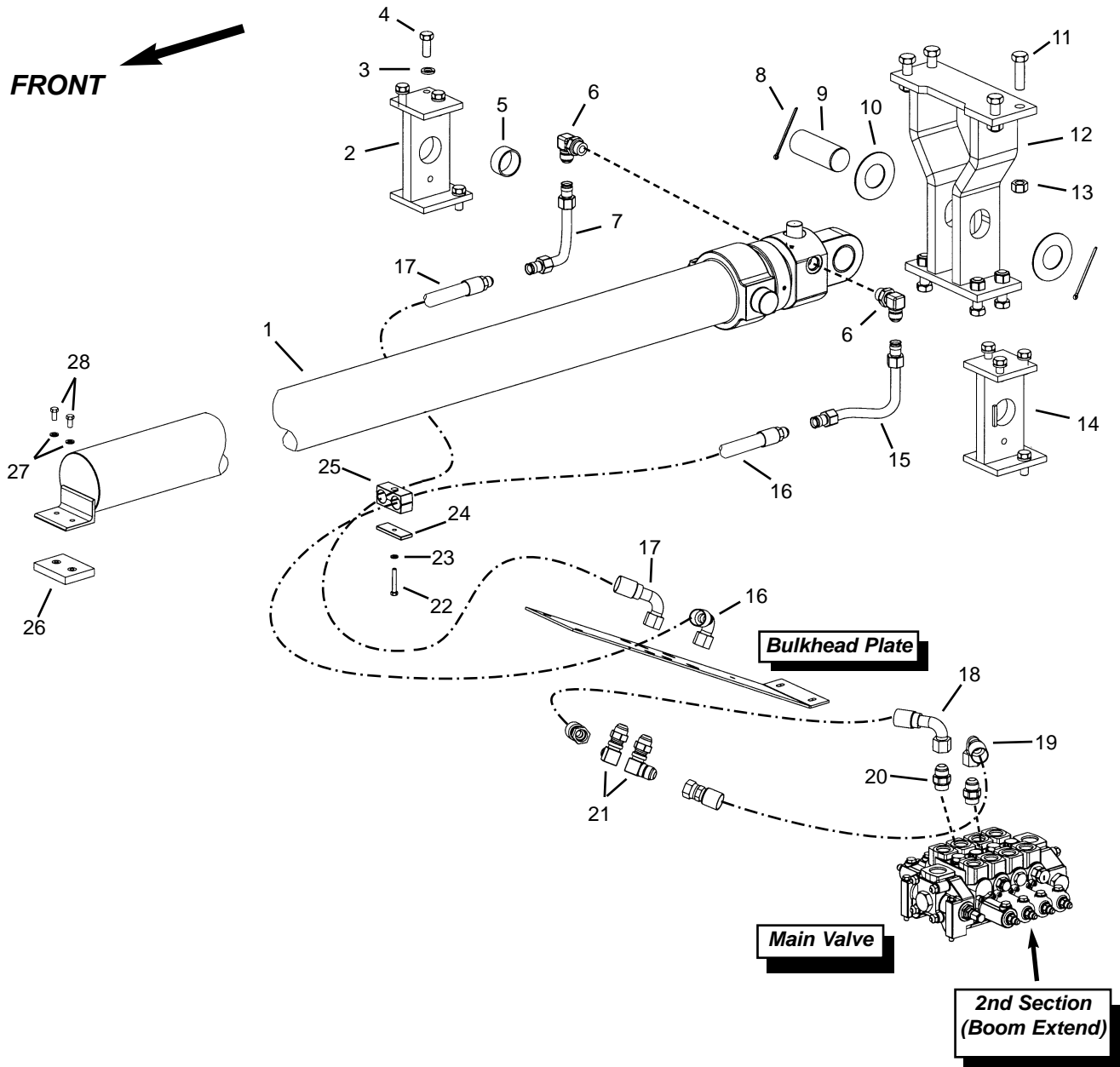
Boom Dynattach® Assembly

Ref. No.	Part No.	Description	Qty. Req.	Ref. No.	Part No.	Description	Qty. Req.
01	101055	DYNATTACH® WELDMENT	1	11	L69724	PIN CAP	1
		<i>(includes item 5 and 13)</i>		12	L50230	5/16"X3/4" BOLT	2
02	L10465	1/4" -28 STR GREASE ZERK	2	13	101351	BUSHING	1
03	L65097	LOCK SPRING	1	14	L99889	BUSHING, TILT CYL. <i>(rod end)</i>	1
04	L65098	SPRING MOUNT.	1	15	102371	PIN, DYNATTACH PIVOT	1
05	L66456	BUSHING	2	16	L520019	1/2"-13 NYLON INSERT NUT	1
06	L50646	3/16"X1-3/4" ROLL PIN	1	17	L50986	1/2"-13X4-1/2" BOLT GR8.	1
07	L66613	DECAL, DYNATTACH UNLOCKED	1	18	L66453	LOCK AND PIN ASSEMBLY	1
08 ^a	NSS	LOCK WELDMENT	1			<i>(Includes items 8 and 9)</i>	
09 ^a	NSS	PIN.	1				
10	L69727	PIN, TILT CYLINDER	1	a		<i>Not sold separately, order item #18 P/N L66453 Lock and Pin Assembly.</i>	

Boom Hydraulics

Boom Extend / Retract

RS6-42/RS8-42/44



Telescopic Handler

Boom Hydraulics

Boom Extend / Retract

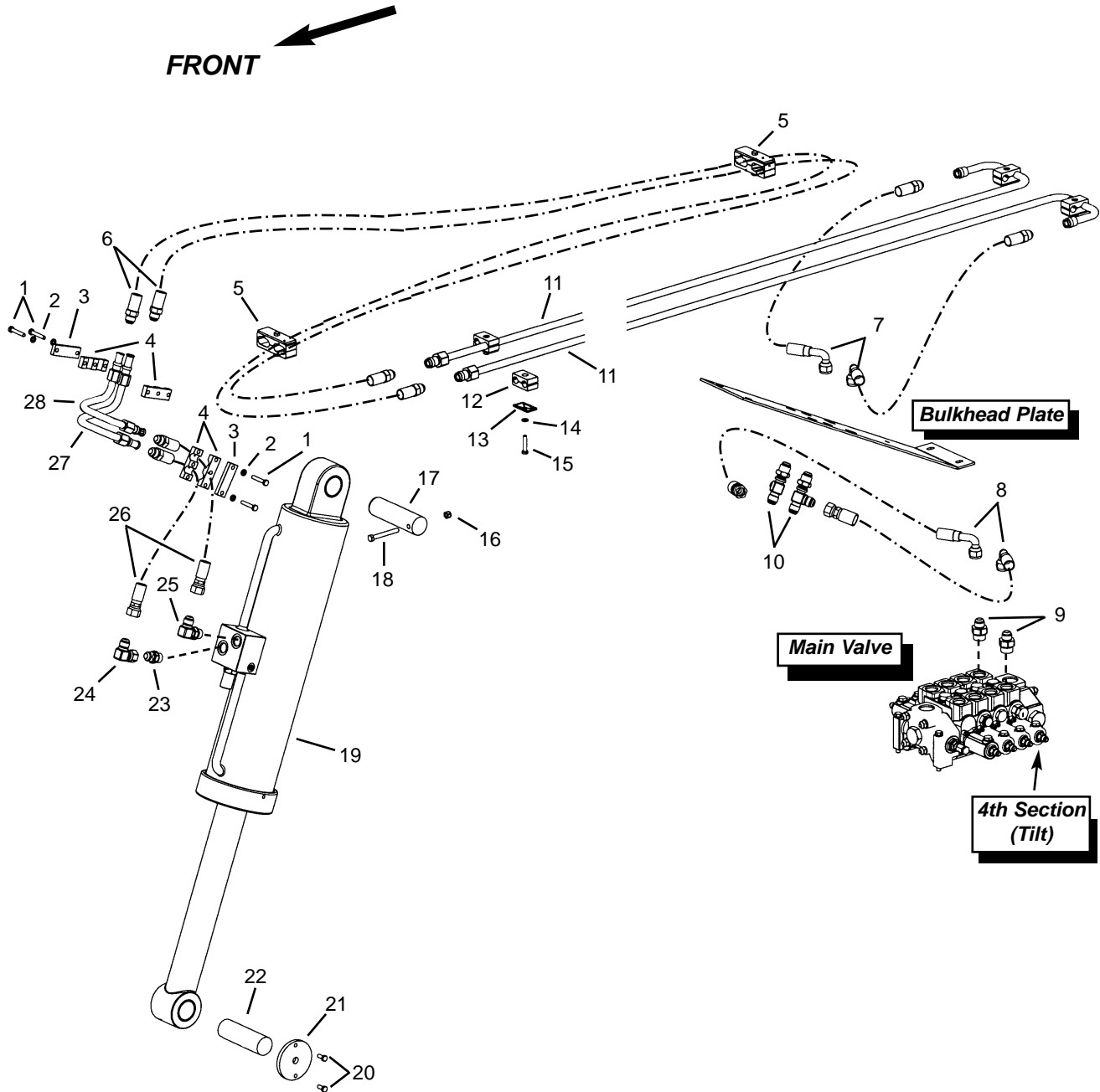
Ref. No.	Part No.	Description	Qty. Req.	Ref. No.	Part No.	Description	Qty. Req.
01	Note a	EXTEND CYLINDER	1	18	102853	HOSE, -12 A12/DS12 18"	1
02	L64661	TRUNNION MOUNT (RH) (Includes item 5)	1	19	102853	HOSE, -12 A12/DS12 18"	1
03	L50156	5/8" LOCK WASHER	10	20	L444001	ADAP -12ORM -12JICM STR.	2
04	L50313	5/8-11x1-1/2" BOLT	10	21	L446034	ADAP -12JICM BLKHD 90 DEG	4
05	L48805	BUSHING 2.0" ID X 1.0" LENGTH	2	22	L50835	5/16"-18X2 GR5 BOLT	1
06	L445001	ADAP -12ORM -12JICM 90 DEG	2	23	L50143	5/16" FLAT WASHER	1
07	102541	EXTEND CYLINDER TUBE (RH)	1	24	102517	PLATE, TOP CLAMP	1
08	L50608	3/16X4" COTTER PIN	2	25	102516	CLAMP BODY TWIN CUSHION	1
09	L69994	EXTEND CYLINDER PIN	1	26	L61709	SLIDE PAD	1
10	L400207	THRUST WASHER	2	27	L50147	3/8" LOCK WASHER	2
11	650711	3/4-10X3" BOLT	8	28	L50251	3/8-16X3/4" BOLT	2
12	102335	WELDMNT, EXTEND CYL MNT	1				
	L70420	TRUNNION SHIM (not shown)	1				
13	L50519	3/4-10 NYLON INSERT NUT	8				
14	L64443	TRUNNION MOUNT (LH) (Includes item 5)	1				
15	102540	EXTEND CYLINDER TUBE (LH)	1				
16	L64316	HOSE, -12 A12/DS12 48"	1				
17	L64316	HOSE, -12 A12/DS12 48"	1				

a Refer to Hydraulic Cylinders section for the cylinder part number.

NOTE: Cylinder part number is stamped on the cylinder.

HOSE LOCATOR

16	EXTEND CYLINDER "LEFT SIDE" (extend)	BULKHEAD PLATE "LEFT SIDE"
17	EXTEND CYLINDER "RIGHT SIDE" (retract)	BULKHEAD PLATE "RIGHT SIDE"
18	MAIN VALVE "BOOM EXTEND" (retract; right side)	BULKHEAD PLATE "RIGHT SIDE"
19	MAIN VALVE "BOOM EXTEND" (extend; left side)	BULKHEAD PLATE "LEFT SIDE"



Telescopic Handler

Boom Hydraulics

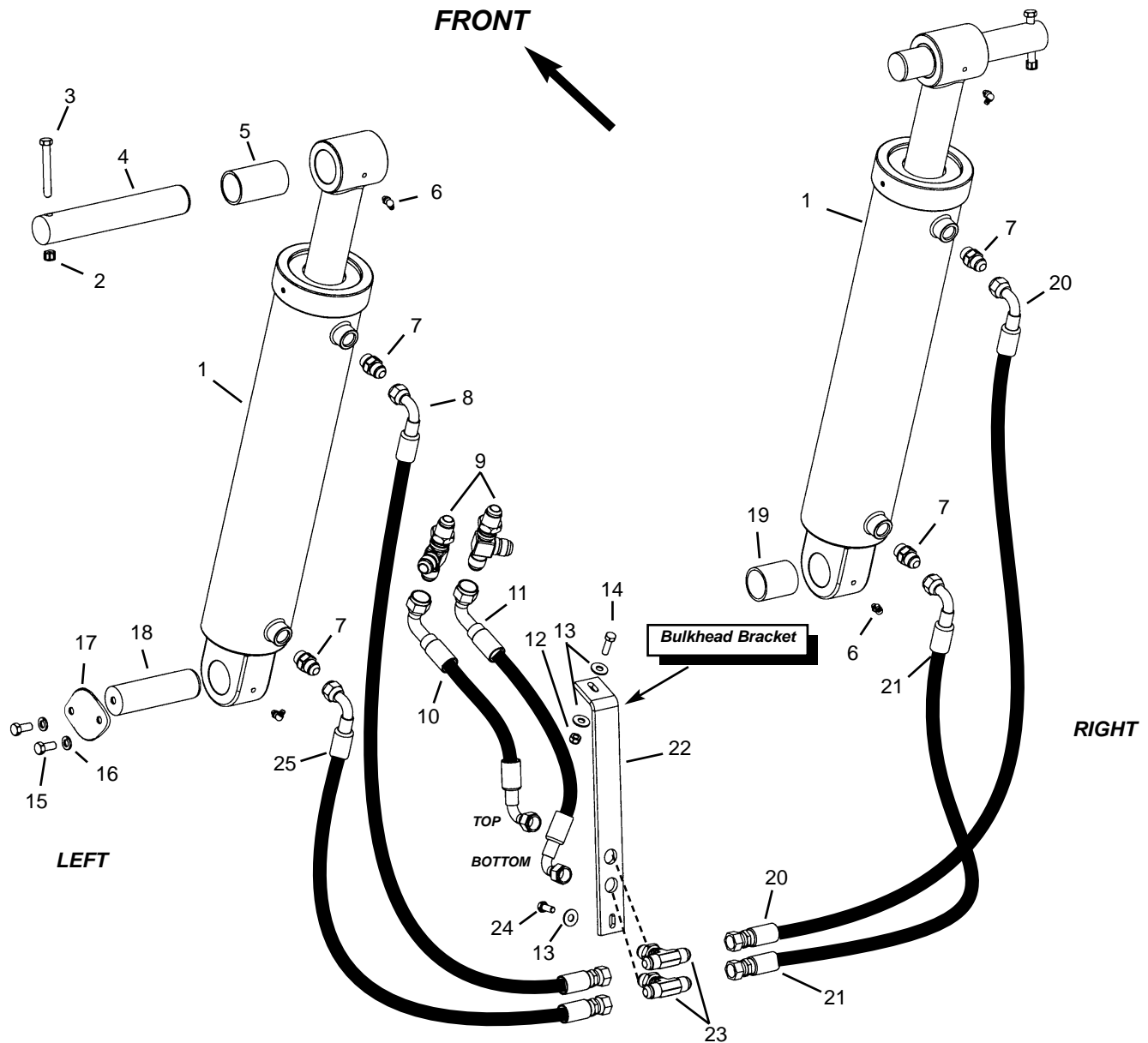
Tilt

Ref. No.	Part No.	Description	Qty. Req.	Ref. No.	Part No.	Description	Qty. Req.
01	L50561	5/16"-18X1-3/4" BOLT	AR	23	L444010	ADAP, -10ORM -10JICM STR.	1
02	L50143	5/16" FLAT WASHER	AR	24	P471356	ADAP, -10JICFS -10JICM 90 DEG. 1	
03	L63715	HOSE CUSHION TOP PLATE	2	25	L51599	ADAP -10ORM -10JICM 90 DEG . . .	1
04	L68039	TUBE CUSHION DBL 5/8"	4	26	L70088	HOSE, -8 A10/H10 20"	2
05	L79167	HOSE CLAMP ASSEMBLY	2	27	L69449	TILT CYLINDER TUBE	1
06		BOOM HOSES	1	28	L69450	TILT CYLINDER TUBE	1
		<i>Note a</i>					
		<i>Note b</i>					
07	102833	HOSE -8 H10/DS10 42"	2	a	<i>42' BOOM models;</i>		
08	102854	HOSE -8 A10/DS10 25"	2		<i>Uses (1) L500784 protective sleeve and</i>		
09	P471351	ADAP, -12ORM -10JICM.	2		<i>(2) L70090 Hose, -8 H10/H10 360".</i>		
10	L443012	ADAP, -10 BULK HD TEE	2	b	<i>44' BOOM models;</i>		
11 ^d	102551	TILT CYLINDER TUBE	2		<i>Uses (1) L500784 protective sleeve and</i>		
12	L69832	CLAMP, DBL TUBE .62"	6		<i>(2) L69944 Hose, -8 H10/H10 380".</i>		
13	L69833	PLATE, TOP DBL CUSHION.	6	c	<i>Refer to Hydraulic Cylinders section for the cylinder part number.</i>		
14	L50143	5/16" FLAT WASHER	6	d	<i>Located on the bottom side of the boom in the center. If equipped with auxiliary hydraulics, the auxiliary hydraulic tubes are toward the outer sides of the boom.</i>		
15	L50842	3/8"-16X1-1/2" BOLT	6				
16	L520005	3/8" NYLON INSERT NUT	1				
17	L69601	PIN, TILT CYL BASE END	1				
18	L50275	3/8"-16X3" BOLT	1				
19	<i>Note c</i>	TILT CYLINDER - 5.5X20.0.	1				
20	L50230	5/16-18X3/4" BOLT	2				
21	L69724	PIVOT PIN CAP	1				
22	L69727	PIN, TILT CYL ROD END	1				

NOTE: Cylinder part number is stamped on the cylinder.

HOSE LOCATOR

06	HYDRAULIC TILT TUBES (<i>under boom</i>)	HYDRAULIC TUBES (<i>upper front boom</i>)
07	BULKHEAD PLATE (<i>tee fitting</i>)	HYDRAULIC TILT TUBES (<i>under boom</i>)
08	MAIN VALVE (<i>tilt section - 4th from front</i>)	BULKHEAD PLATE (<i>tee fitting</i>)
26	HYDRAULIC TUBES (<i>upper front boom</i>)	TILT CYLINDER



Telescopic Handler

Boom Hydraulics Slave (Compensation)

Ref. No.	Part No.	Description	Qty. Req.	Ref. No.	Part No.	Description	Qty. Req.
01	Note a	SLAVE CYLINDER	2	18	105654	PIN, SLAVE CYL. (base end).	2
02	L520005	3/8"-16 NYLON INSERT NUT	2	19	L68003	BUSHING	2
03	L50273	3/8"-16X2-3/4" BOLT	2	20	102858	HOSE, -8 A8/DS8 46"	1
04	102445	PIN, SLAVE CYL. (rod end)	2	21	102857	HOSE, -8 A8/DS8 28"	1
05	L63018	BUSHING 660 1.5IDX3.0	2	22	105128	BRACKET, BULKHEAD PLATE	1
06	L10057	1/4"-28 GREASE ZERK 90 DEG.	4	23	102775	ADAP, BULK HD BRANCH TEE	2
07	L444004	ADAP, -8ORM -8JICM STR.	4	24	L50823	5/16-18X1" BOLT	4
08	102858	HOSE, -8 A8/DS8 46"	1	25	102857	HOSE, -8 A8/DS8 28"	1
09	L443012	ADAP, -10 BULK HD RUN TEE	2				
10	102859	HOSE, -8 DS8/DS10 16"	1				
11	102859	HOSE, -8 DS8/DS10 16"	1				
12	L520004	5/16-18 NYLON INSERT NUT	AR				
13	L50141	5/16" FLAT WASHER	AR				
14	L50823	5/16-18X1" BOLT	AR				
15	L510008	5/16-18X5/8" BOLT	4				
16	L50143	5/16" LOCK WASHER	2				
17	105653	CAP, SLAVE CYL. PIN	2				

a Refer to Hydraulic Cylinders section for the cylinder part number.

NOTE: Cylinder part number is stamped on the cylinder.

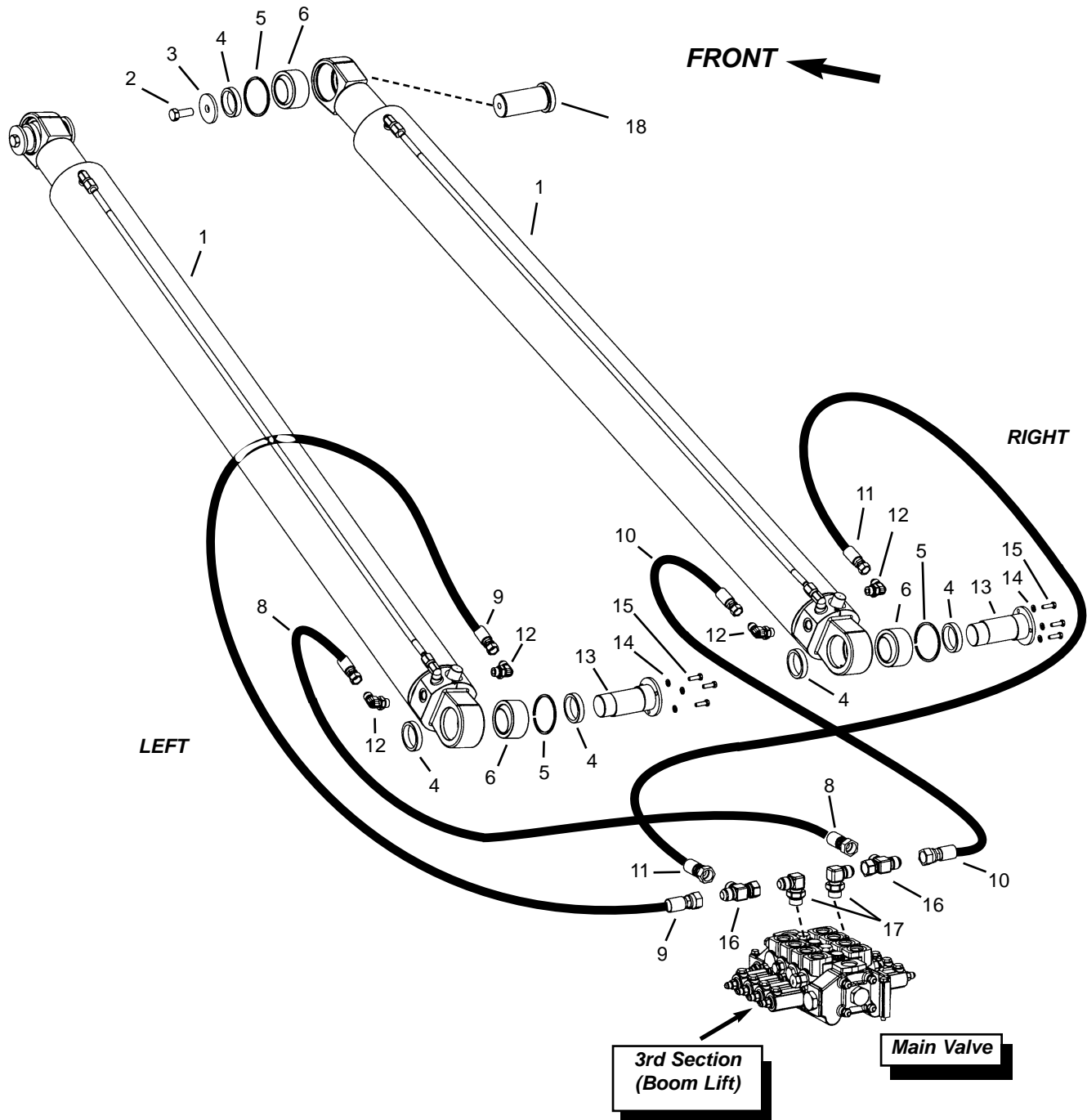
HOSE LOCATOR

08	LEFT SLAVE CYLINDER "TOP"	BRANCH TEE "TOP" (under bulkhead plate)
10	BULKHEAD TEE "LEFT"	BRANCH TEE "TOP-FRONT" (under bulkhead plt)
11	BULKHEAD TEE "RIGHT"	BRANCH TEE "BOTTOM-FRONT" (under bulkhead)
20	RIGHT SLAVE CYLINDER "TOP"	BRANCH TEE "TOP" (under bulkhead plate)
21	RIGHT SLAVE CYLINDER "BOTTOM"	BRANCH TEE "BOTTOM" (under bulkhead plate)
25	LEFT SLAVE CYLINDER "BOTTOM"	BRANCH TEE "BOTTOM" (under bulkhead plate)

Boom Hydraulics

Boom Up / Down

RS6-42/RS8-42/44



Telescopic Handler

Boom Hydraulics

Boom Up / Down

Ref. No.	Part No.	Description	Qty. Req.	Ref. No.	Part No.	Description	Qty. Req.
01	Note a	LIFT CYLINDER	2	13	L66392	PIN, ECCENTRIC	4
02	L50313	5/8"X1-1/2" BOLT GR5	2	14	L50143	5/16" LOCK WASHER	6
03	L64590	WASHER, PIN RETAINER	2	15	L50245	5/16"-24X1" GR5 BOLT	6
04	L64591	SPACER	8	16	L446019	ADAP, -12 SWVL TEE	2
05	L97885	SNAP RING	AR	17	L445001	ADAP, -12ORM -12JICM	2
06	L97884	BEARING, SPHERICAL	AR	18	103841	PIN, LIFT CYL.. w/SHOULDER.	1
08	102856	HOSE, -8 A8/A12 88"	1				
09	102855	HOSE, -8 A8/A12 66"	1				
10	102855	HOSE, -8 A8/A12 66"	1				
11	102856	HOSE, -8 A8/A12 88"	1				
12	L445002	ADAP, -8ORM -8JICM 90 DEG	4				

a Refer to Hydraulic Cylinders section for cylinder part number.

NOTE: Cylinder part number is stamped on the cylinder.

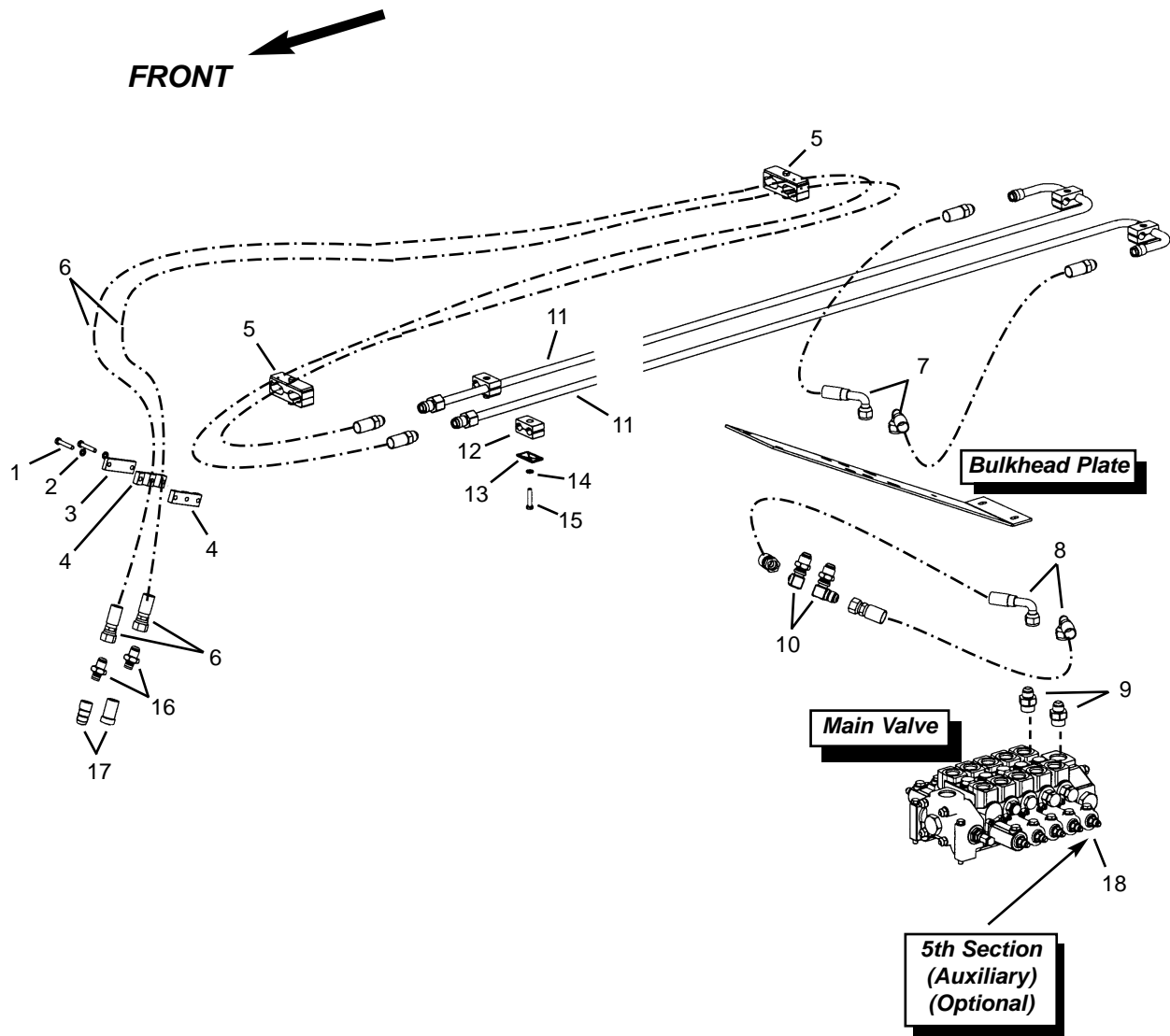
HOSE LOCATOR

08	LEFT LIFT CYLINDER "LEFT SIDE" (retract)	MAIN VALVE (3rd section - right side [retract])
09	LEFT LIFT CYLINDER "RIGHT SIDE" (extend)	MAIN VALVE (3rd section - left side [extend])
10	RIGHT LIFT CYLINDER "LEFT SIDE" (retract)	MAIN VALVE (3rd section - right side [retract])
11	RIGHT LIFT CYLINDER "RIGHT SIDE" (extend)	MAIN VALVE (3rd section - left side [extend])

Boom Hydraulics

Auxiliary Hydraulics Circuit

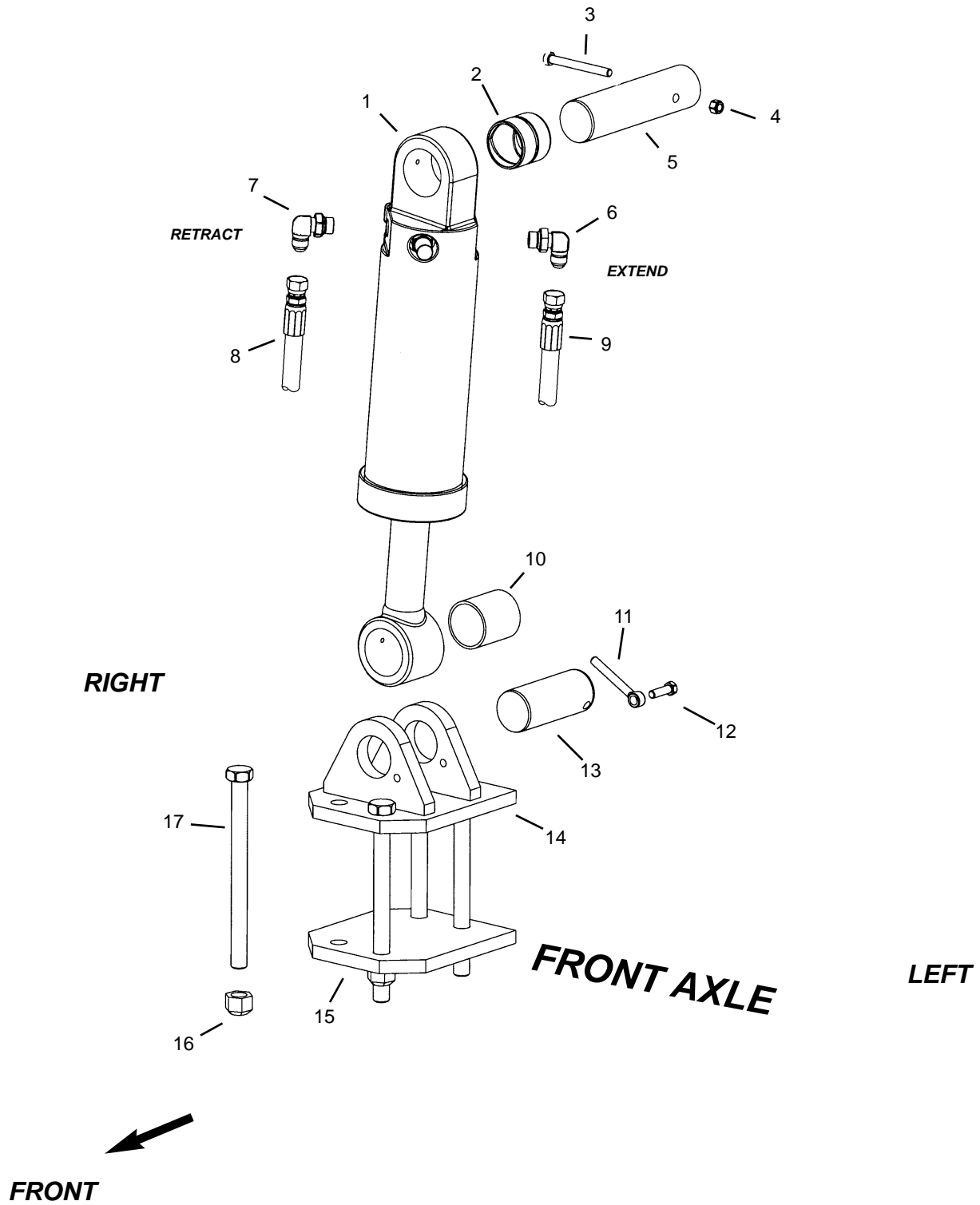
RS6-42/RS8-42/44



Telescopic Handler

Boom Hydraulics Auxiliary Hydraulics Circuit

Ref. No.	Part No.	Description	Qty. Req.	Ref. No.	Part No.	Description	Qty. Req.
01	L50884	5/16"-18X2-1/4" BOLT	2	17	L65273	QUICK COUPLER SET.	1
02	L50143	5/16" FLAT WASHER	2	18	102420	KIT, AUX HYD SECTION	1
03	L63719	HOSE CUSHION TOP PLATE	2		102807	KIT, FIVE SECTION TIE BOLT	4
04	L63720	TUBE CUSHION DBL .88"	4			(each kit contains [1] bolt, [2] washers and [2] nuts)	
05	L79167	HOSE CLAMP ASSEMBLY	2				
06		AUXILIARY HYD. HOSES.	1				
		<i>Note a</i>					
		<i>Note b</i>					
07	102833	HOSE -8 H10/DS10 42"	2	00	102718	DECAL, AUXILIARY CONTROL . . .	1
08	102832	HOSE -8 A10/DS10 30".	2				
09	P471351	ADAP, -12ORM -10JICM.	2				
10	L443011	ADAP, -10JICM BULK HD 90 DEG. 2					
11 ^c	102552	AUX HYD TUBE	2	a		42' BOOM models; Use (1) L500784 protective sleeve and (2) L70105 Hose, -8 H10/H10 380".	
12	L69832	CLAMP, DBL TUBE .62"	6				
13	L69833	PLATE, TOP DBL CUSHION.	6	b		44' BOOM models; Use (1) L500784 protective sleeve and (2) L69945 Hose, -8 H10/H10 400".	
14	L50143	5/16" FLAT WASHER	6				
15	L50842	3/8"-16X1-1/2" BOLT	6				
16	L444011	ADAP, -8ORM -10JICM STR.	2	c		Located on the bottom side of the boom towards the outside. The inner tubes are for the tilt cylinder.	



Telescopic Handler

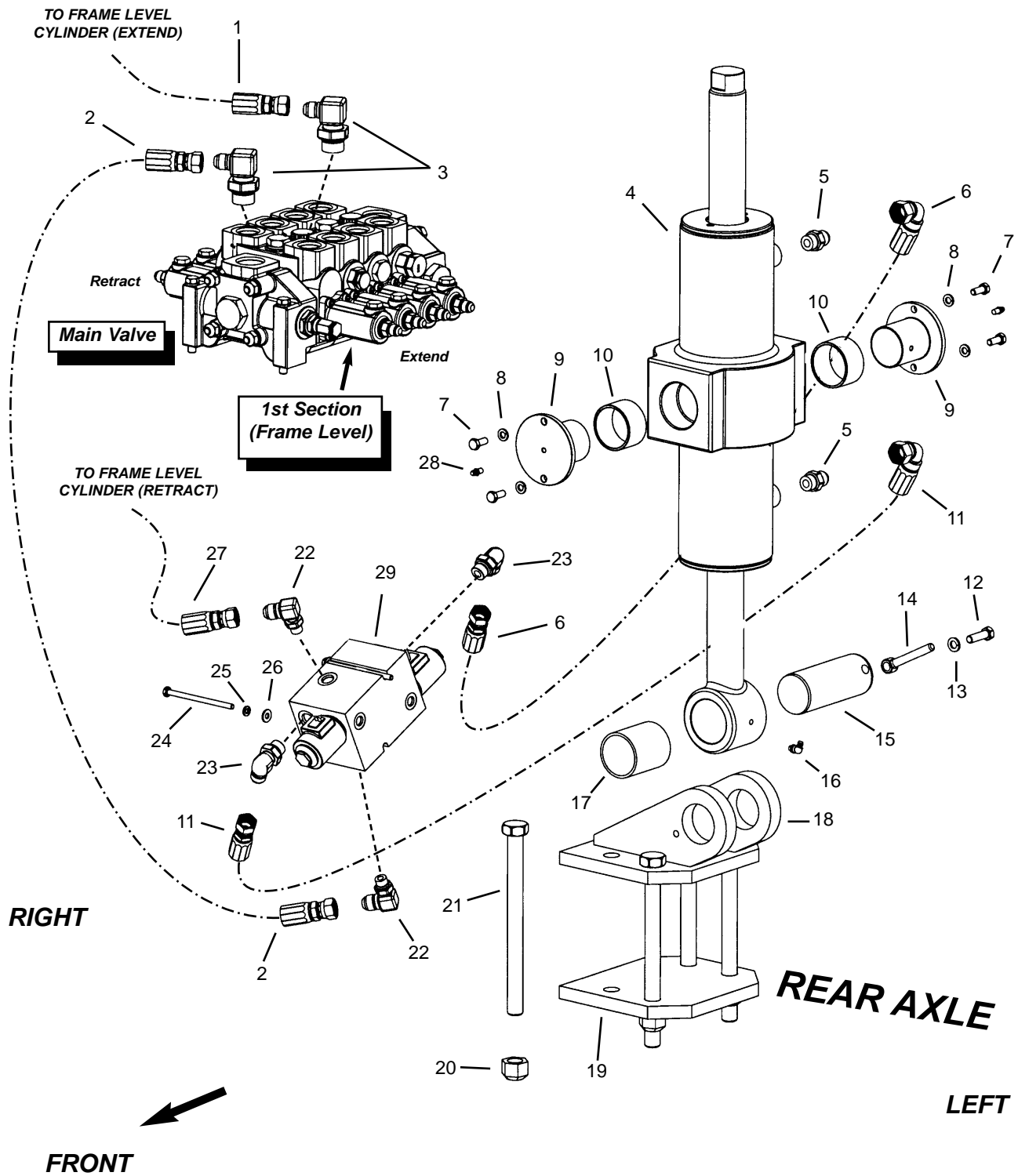
Chassis Hydraulics

Frame Level

Ref. No.	Part No.	Description	Qty. Req.	Ref. No.	Part No.	Description	Qty. Req.
01	Note a	LEVEL CYLINDER	1	11	L68881	LOCK, PIVOT PIN.....	1
02	L64367	BRONZE BEARING	1	12	L50403	3/8"-16X1-1/4" BOLT	1
03	L50277	3/8"-16X3-1/2" BOLT	1	13	L68882	PIVOT PIN (rod end).....	1
04	L520005	3/8"-16 NYLON INSERT NUT.....	1	14	102191	FRAME LEVEL MOUNT	1
05	L63276	PIN, CYLINDER (base end)	1	15	102190	PLATE, FRAME LEVEL.....	1
06	L66017	ADAP, W/ORIFICE -8ORM -8JICM.	1	16	L50084	3/4"-10 STOVER NUT	4
07	L445002	ADAP, -8ORM -8JICM 90 DEG....	1	17	L50712	3/4"-10X9" GR8 BOLT.....	4
08	102860	HOSE, -8 A8/A8 168"	1				
09	102873	HOSE, -8 A8/A8 190"	1	a	Refer to Hydraulic Cylinders section for cylinder part number.		
10	L63016	BRONZE BEARING	1				

HOSE LOCATOR

08	FRAME LEVEL CYLINDER "OUTSIDE" (retract)	STABILIZING CYL MANIFOLD "TOP PORT" (located on left inside rear of frame)
09	FRAME LEVEL CYLINDER "INSIDE" (extend)	MAIN VALVE (1st section - right side)



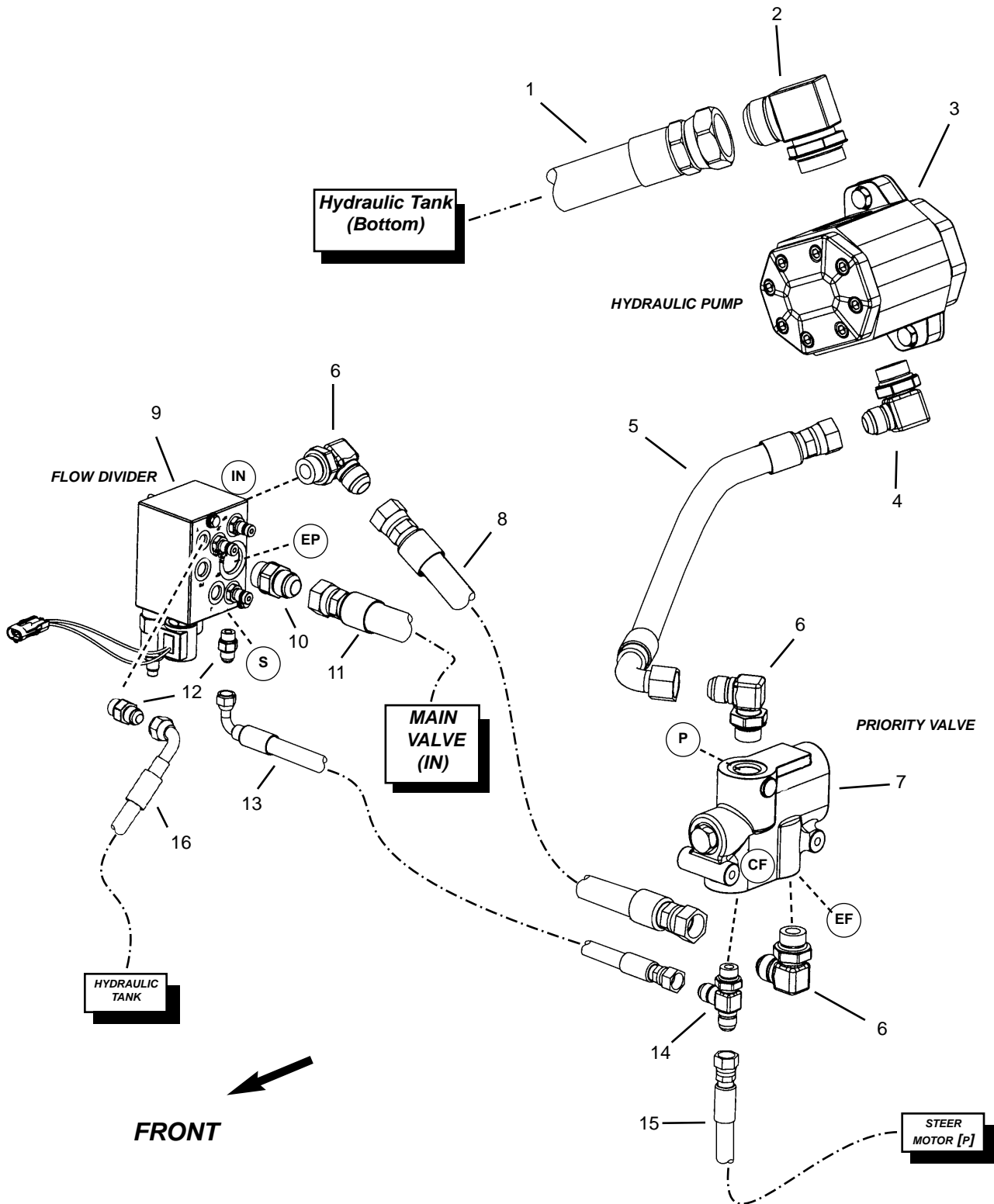
Telescopic Handler

Chassis Hydraulics Frame Stabilizer

Ref. No.	Part No.	Description	Qty. Req.	Ref. No.	Part No.	Description	Qty. Req.
01	102873	HOSE, -8 A8/A8 190"	1	17	L69138	BUSHING (<i>rod end</i>).	1
02	L68817	HOSE, -8 A8/A8 26"	1	18	102272	STABILIZER CYL MOUNT	1
03	L445006	ADAP, -12ORM -8JICM 90	2	19	102190	MOUNT PLATE	1
04	<i>Note a</i>	FRAME STABILIZER CYLINDER . .	1	20	L50084	3/4-10 NUT GR8	4
05	L444004	ADAP, -8ORM -8JICM STR.	2	21	L50712	3/4-10X9" GR8 BOLT	4
06	102858	HOSE, -8 A8/DS8 46"	1	22	L51968	ADAP, -6ORM -8JICM 90 DEG	2
07	L50230	5/16"-18X3/4" BOLT	4	23	L445002	ADAP, -8ORM -8JICM 90 DEG	2
08	L50143	5/16" LOCK WASHER	4	24	102774	1/4"-20X4" BOLT GR5	1
09	L69776	TRUNNION PIVOT PIN.	2	25	L50139	1/4" LOCK WASHER	1
10	L69774	BUSHING	2	26	L50137	1/4" FLAT WASHER	1
11	102858	HOSE, -8 A8/DS8 46"	1	27	102860	HOSE, -8 A8/A8 168"	1
12	L50403	3/8"-16x1-1/4" BOLT	1	28	L10465	1/4"-28 GREASE ZERK STR	1
13	L50147	3/8" LOCK WASHER	1	29	102877	MANIFOLD, STABILIZING CYL.	1
14	L68881	LOCK, PIVOT PIN.	1				
15	L68882	LEVEL CYL. PIN (<i>rod end</i>)	1	<i>a</i>	<i>Refer to Hydraulic Cylinders section for cylinder part number.</i>		
16	L10057	1/4"-28 GREASE ZERK 90 DEG. . .	1				

Hose Locator

Ref No.	From Port	To Port
01	MAIN VALVE, 1ST SECTION (<i>extend</i>)	FRAME LEVEL CYLINDER "INSIDE" (<i>extend</i>)
02	MAIN VALVE, 1ST SECTION (<i>retract</i>)	STABILIZING CYL. MANIFOLD "BOTTOM" (<i>retract</i>)
06	STABILIZING CYL. MANIFOLD "REAR"	STABILIZING CYLINDER "TOP PORT"
11	STABILIZING CYL. MANIFOLD "FRONT"	STABILIZING CYLINDER "BOTTOM PORT"
27	STABILIZING CYL. MANIFOLD "TOP"	FRAME LEVEL CYLINDER "OUTSIDE" (<i>retract</i>)



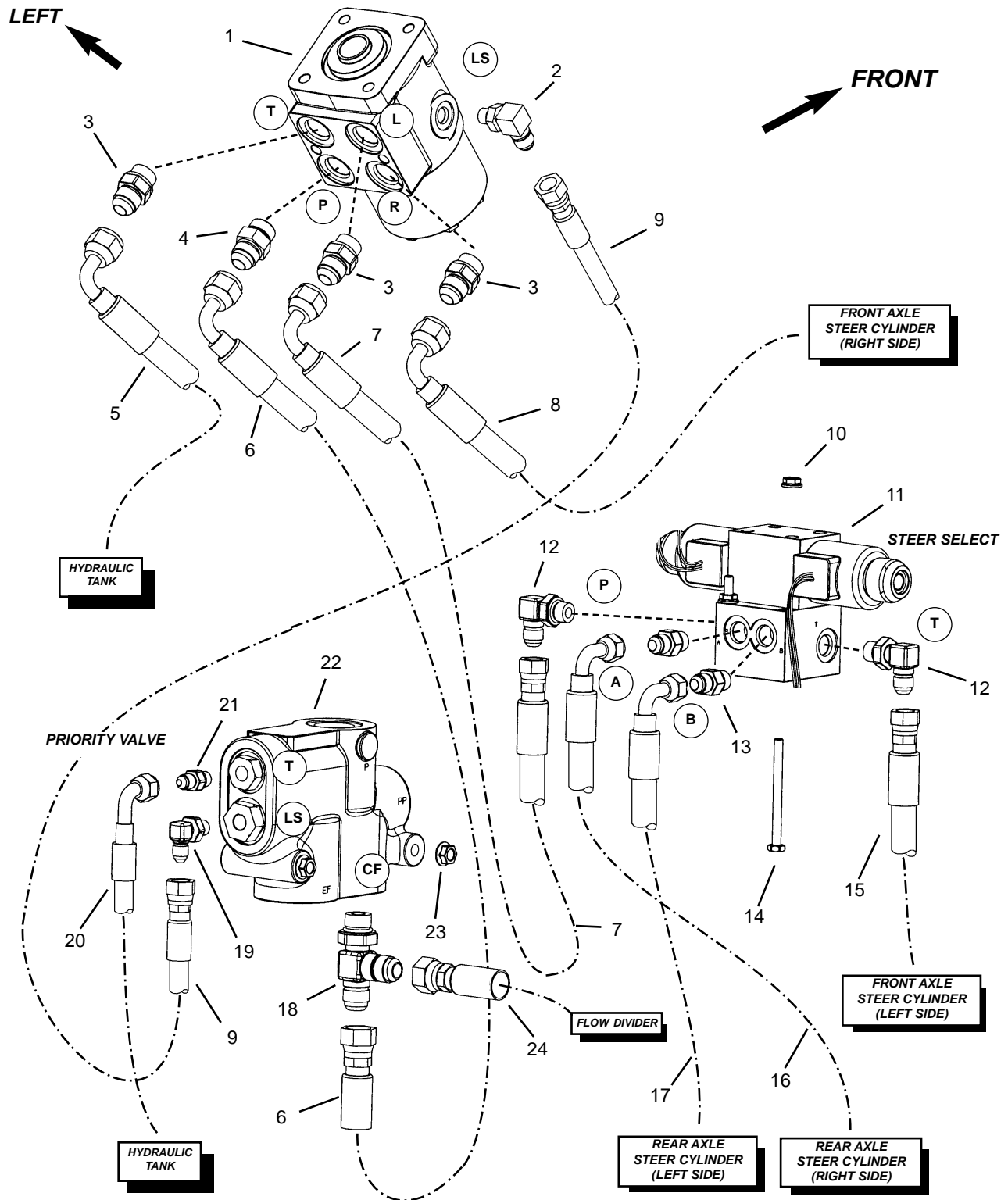
Telescopic Handler

Hydraulics Hydraulic Pump

Ref. No.	Part No.	Description	Qty. Req.	Ref. No.	Part No.	Description	Qty. Req.
01	L63309	HOSE, -24 A24/A24 35"	1	12	L444002	ADAP, -6ORM -6JICM.	2
02	L445010	ADAP, -24ORM -24JICM 90°	1	13	102836	HOSE, -6 A8/DS6 19"	1
03	102498	HYDRAULIC PUMP	1	14	L64660	ADAP, -8ORM -8JICM TEE.	1
	L46865	GASKET (<i>not shown</i>).	1	15	102835	HOSE, -6 A8/DS8 50"	1
	L50599	1/2"-13x1-1/2" BOLT (<i>not shown</i>).	2	16	102946	HOSE, -6 A6/DS6 18"	1
04	L61092	ADAP, -16orm -12jicm 90°	1				
05	102834	HOSE, -12 A12/DS12 13"	1	a	<i>Note: If the unit is equipped with the outrigger option, there will be two additional hoses. Hose P/N 102814; -12 A12/DS12 74" will attach to fitting item #10 and will go to the outrigger valve. Hose P/N 102815; -12 H12/A12 58" will return from the outrigger valve and will connect to the existing hose, item 11. Please refer to the outrigger pages located in the Chassis section for more information.</i>		
06	L445001	ADAP, -12ORM -12JICM.	3				
07	104132	PRIORITY VALVE	1				
08	L64311	HOSE, -12 A12/A12 21"	1				
09	102313	FLOW DIVIDER VALVE	1				
10 ^a	L444001	ADAP, -12ORM -12JICM.	1				
11 ^a	102838	HOSE, -12 A12/A12 115"	1				

HOSE LOCATOR

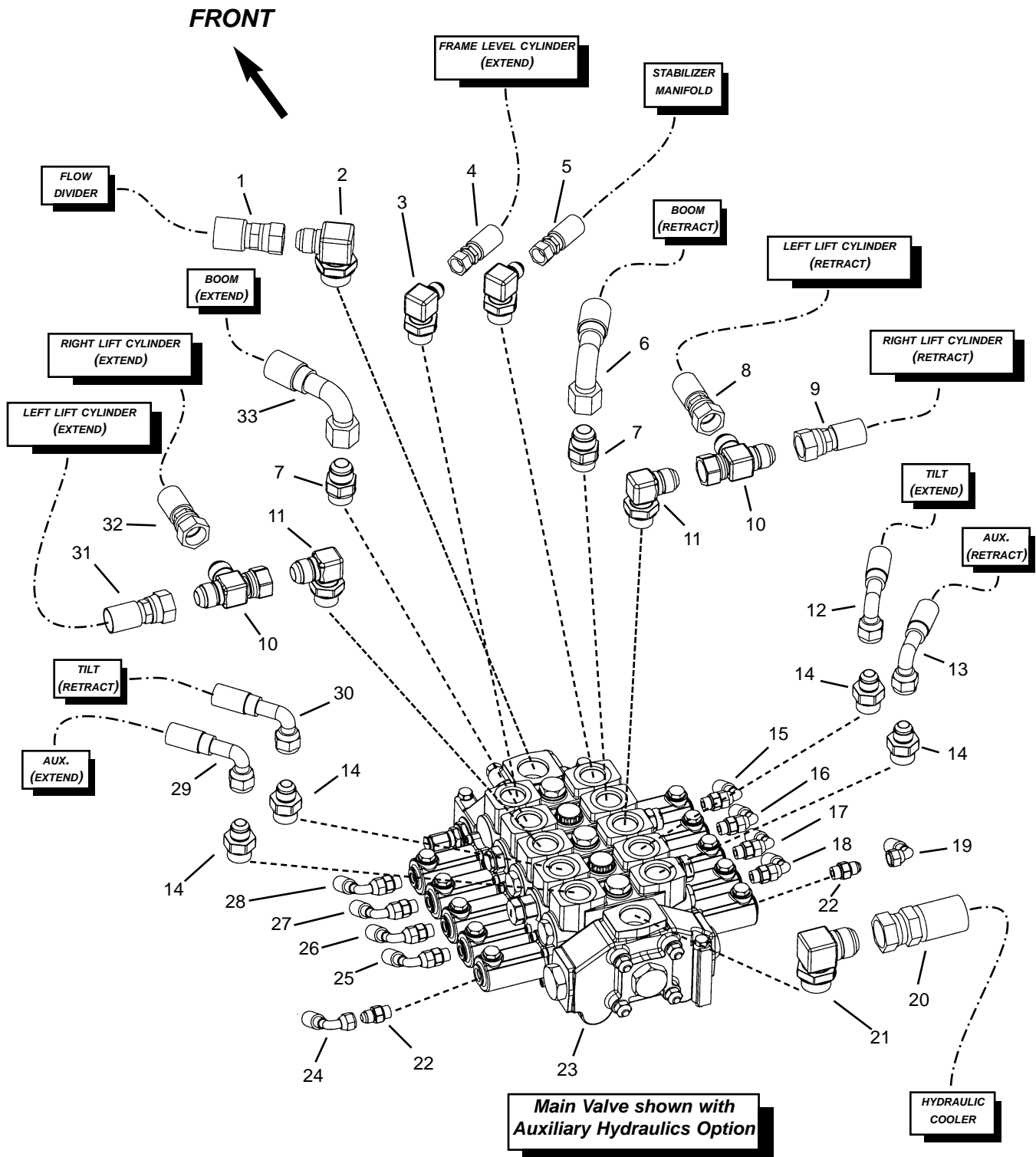
01	HYDRAULIC PUMP "IN"	HYDRAULIC TANK "BOTTOM - OUT"
05	HYDRAULIC PUMP "OUT"	PRIORITY VALVE "P" (<i>top of valve</i>)
08	PRIORITY VALVE "EF" (<i>bottom of valve</i>)	FLOW DIVIDER "IN" (<i>side</i>)
11 ^a	FLOW DIVIDER "EP" (<i>front of valve</i>) (<i>STANDARD</i>)	MAIN VALVE "IN"
11 ^a	OUTRIGGER VALVE/HOSE (<i>OUTRIGGER OPTION</i>)	MAIN VALVE "IN"
13	PRIORITY VALVE "CF" (<i>bottom of valve - tee</i>)	FLOW DIVIDER "S" (<i>bottom of valve</i>)
15	PRIORITY VALVE "CF" (<i>bottom of valve - tee</i>)	STEER MOTOR "P"
16	FLOW DIVIDER "T" (<i>front of valve</i>)	HYDRAULIC TANK RETURN (<i>return manifold</i>)



Telescopic Handler

Hydraulics Steering

Ref. No.	Part No.	Description	Qty. Req.	Ref. No.	Part No.	Description	Qty. Req.
01	101880	STEER MOTOR	1	13	L444002	ADAP, -6ORM -6JICM STR.	2
02	L51591	ADAP, -4ORM -4JICM 90°	1	14	L50535	1/4"-20X3" BOLT	2
03	L444004	ADAP, -8ORM -8JICM STR.	3	15	102848	HOSE, -6 A6/A8 48"	1
04	L64524	VALVE, CHECK.	1	16	L69936	HOSE, -6 A6/A8 100"	1
05	L63383	HOSE, -6 A6/DS8 52"	1	17	L69936	HOSE, -6 A6/A8 100"	1
06	102835	HOSE, -6 A8/DS8 50"	1	18	L64660	ADAP, -8ORM -8JICM TEE.	1
07	102846	HOSE, -6 A6/DS8 58"	1	19	L51591	ADAP, -4ORM -4JICM 90°	1
08	102847	HOSE, -6 A8/DS8 82"	1	20	L69904	HOSE, -4 A6/DS6 20"	1
09	102837	HOSE, -4 A4/A4 52"	1	21	L444012	ADAP, -6ORM -4JICM STR.	1
10	L50051	1/4"-20 WHIZ LOCK NUT	2	22	104132	PRIORITY VALVE	1
11	L69747	VALVE, STEER SELECT	1	23	L50056	5/16-18 WHIZ LOCK NUT.	2
12	L445003	ADAP, -6ORM -6JICM 90°	2	24	102836	HOSE, -6 A8/DS6 19"	1



Telescopic Handler

Hydraulics

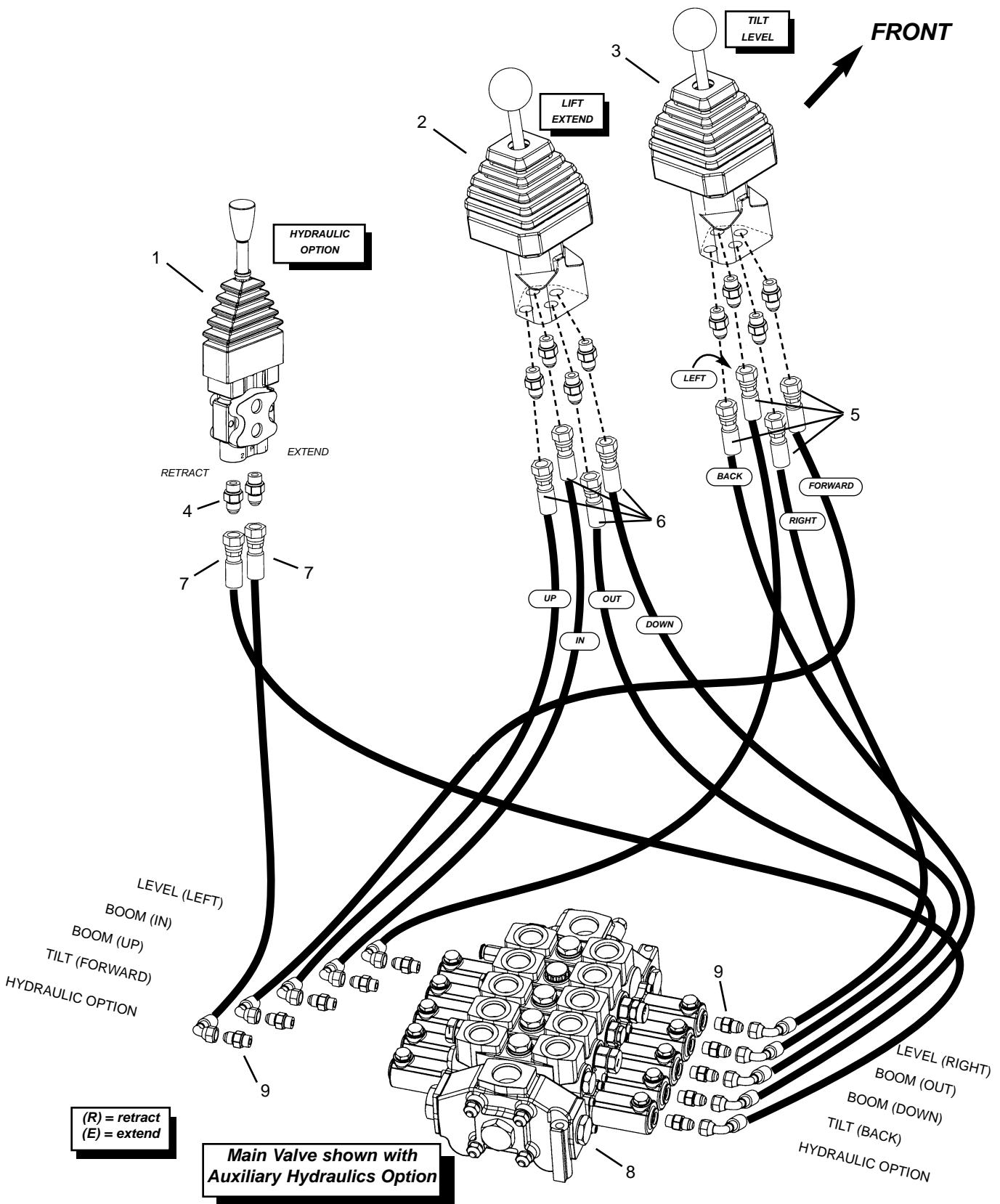
Main Valve

Ref. No.	Part No.	Description	Qty. Req.	Ref. No.	Part No.	Description	Qty. Req.
01	102838	HOSE, -12 A12/A12 115"	1	25 ^a	102845	HOSE, -4 A6/DS6 120"	1
02	L61092	ADAP, -16ORM -12JICM 90°	1	26 ^a	102844	HOSE, -4 A6/DS6 108"	1
03	L445006	ADAP, -12ORM -8JICM 90°	2	27 ^a	102844	HOSE, -4 A6/DS6 108"	1
04	102873	HOSE, -8 A8/A8 190"	1	28 ^a	102845	HOSE, -4 A6/DS6 120"	1
05	L68817	HOSE, -8 A8/A8 26"	1	29	102832	HOSE -8 A10/DS10 30".	2
06	102853	HOSE, -12 A12/DS12 18"	1	30	102854	HOSE -8 A10/DS10 25".	2
07	L444001	ADAP, -12ORM -12JICM STR.	2	31	102855	HOSE, -8 A8/A12 66"	1
08	102856	HOSE, -8 A8/A12 88"	1	32	102856	HOSE, -8 A8/A12 88"	1
09	102855	HOSE, -8 A8/A12 66"	1	33	102853	HOSE, -12 A12/DS12 18"	1
10	L446019	ADAP, -12 SWVL RUN TEE	2				
11	L445001	ADAP, -12ORM -12JICM.	2	a		Refer to next page for information regarding the location of these hoses.	
12	102854	HOSE -8 A10/DS10 25".	2	b		The illustration on the facing page shows the (optional) auxiliary hydraulic work section with the main valve.	
13	102832	HOSE -8 A10/DS10 30".	2	c		For units equipped with 99 h.p. engine; hose connects to rear cooler lower port.	
14	P471351	ADAP, -12ORM -10JICM.	2	d		For units equipped with 115 h.p. engine; hose connects to cold start by-pass valve.	
15 ^a	102845	HOSE, -4 A6/DS6 120"	1				
16 ^a	102844	HOSE, -4 A6/DS6 108"	1				
17 ^a	102844	HOSE, -4 A6/DS6 108"	1				
18 ^a	102845	HOSE, -4 A6/DS6 120"	1				
19 ^a	102831	HOSE, -4 A6/DS6 102"	1				
20		HOSE	1				
	102849	HOSE, -16 A16/A16 42" (note c)					
	105691	HOSE, -16 A16/DS16 29' (note d)					
21	L51621	ADAP, -16ORM -16JICM.	1				
22	103194	ADAP, 1/4BSP -6JICM STR	AR				
23 ^b	102356	MAIN VALVE	1				
	102420	KIT, AUX HYD SECTION (optional)	1				
	102807	KIT, FIVE SECTION TIE BOLT	4				
24 ^a	102831	HOSE, -4 A6/DS6 102"	1				

Hydraulics

Main Valve - Dual Controllers

RS6-42/RS8-42/44



Telescopic Handler

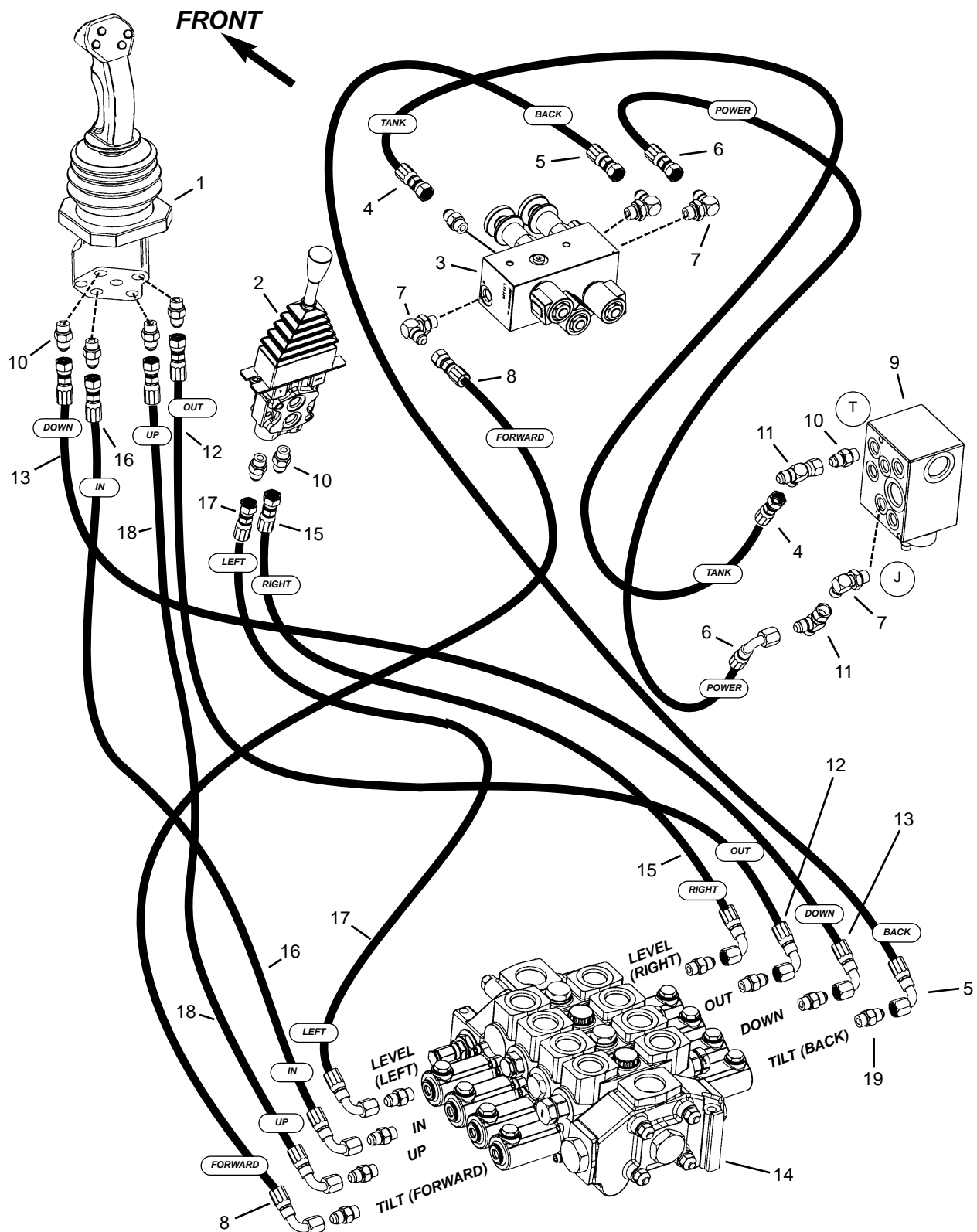
Hydraulics

Main Valve - Dual Controllers

Ref. No.	Part No.	Description	Qty. Req.	Ref. No.	Part No.	Description	Qty. Req.
01	102435	CONTROLLER, AUX. HYD	1	08 ^a	102356	MAIN VALVE	1
02	102434	CONTROLLER, LIFT/EXTEND	1		102420	KIT, AUX HYD SECTION <i>(optional)</i>	1
03	102784	CONTROLLER, TILT/LEVEL	1		102807	KIT, FIVE SECTION TIE BOLT	4
04	L444002	ADAP, -6ORM -6JICM STR	AR			<i>(each kit contains [1] bolt,</i>	
05	102845	HOSE, -4 A6/DS6 120"	4			<i>[2] washers and [2] nuts)</i>	
06	102844	HOSE, -4 A6/DS6 108"	4	09	103194	ADAP, 1/4BSP -6JICM STR	AR
07	102831	HOSE, -4 A6/DS6 102"	2				

a The illustration on the facing page shows the *(optional)* auxiliary hydraulic work section with the main valve.

Main Valve - Tri-Function Controller



Telescopic Handler

Hydraulics

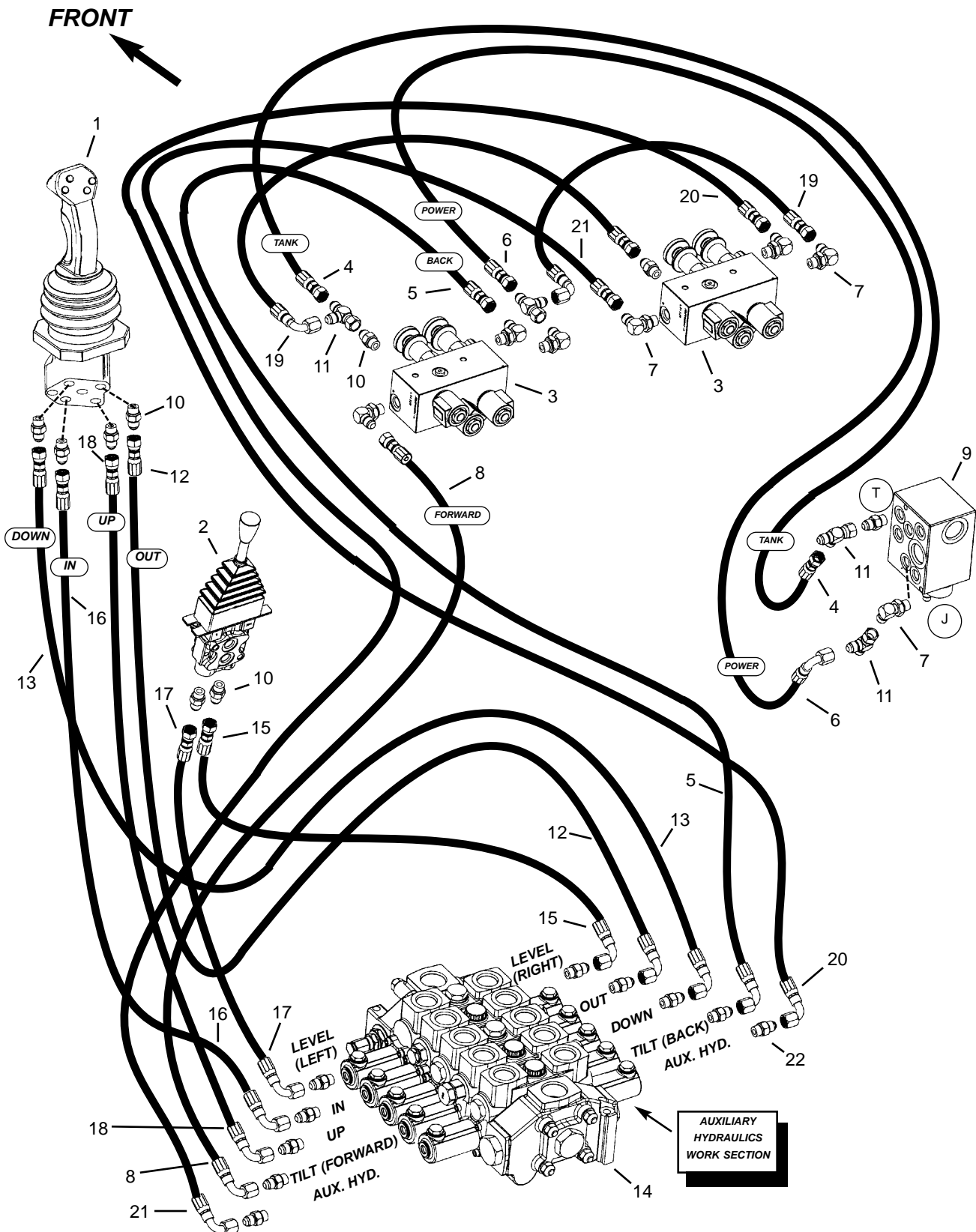
Main Valve - Tri-Function Controller

Ref. No.	Part No.	Description	Qty. Req.	Ref. No.	Part No.	Description	Qty. Req.
01	104083	CONTROLLER, TRI-FUNCTION ..	1	13	102845	HOSE, -4 A6/DS6 120"	1
02	102435	CONTROLLER	1	14	102356	MAIN VALVE	1
03	L71339	PILOT APPLY MANIFOLD.....	1	15	102844	HOSE, -4 A6/DS6 108"	1
04	102786	HOSE, -4 A6/A6 54"	1	16	102845	HOSE, -4 A6/DS6 120"	1
05	L68809	HOSE, -4 A6/DS6 136"	1	17	102844	HOSE, -4 A6/DS6 108"	1
06	103318	HOSE, -4 A6/DS6 52"	1	18	102845	HOSE, -4 A6/DS6 120"	1
07	L445003	ADAP, -6ORM -6JICM 90°.....	AR	19	103194	ADAP, 1/4BSP -6JICM STR	AR
08	102845	HOSE, -4 A6/DS6 120"	1				
09	102313	MANIFOLD, JOYSTICK RELIEF...	1				
10	L444002	ADAP, -6ORM -6JICM STR	AR				
11	L446049	ADAP., -6JIC SWIVEL	AR				
12	102845	HOSE, -4 A6/DS6 120"	1				
						-- ITEMS NOT SHOWN--	
				00	104216	HARNES, TRI-FUNCTION CTRL .	1

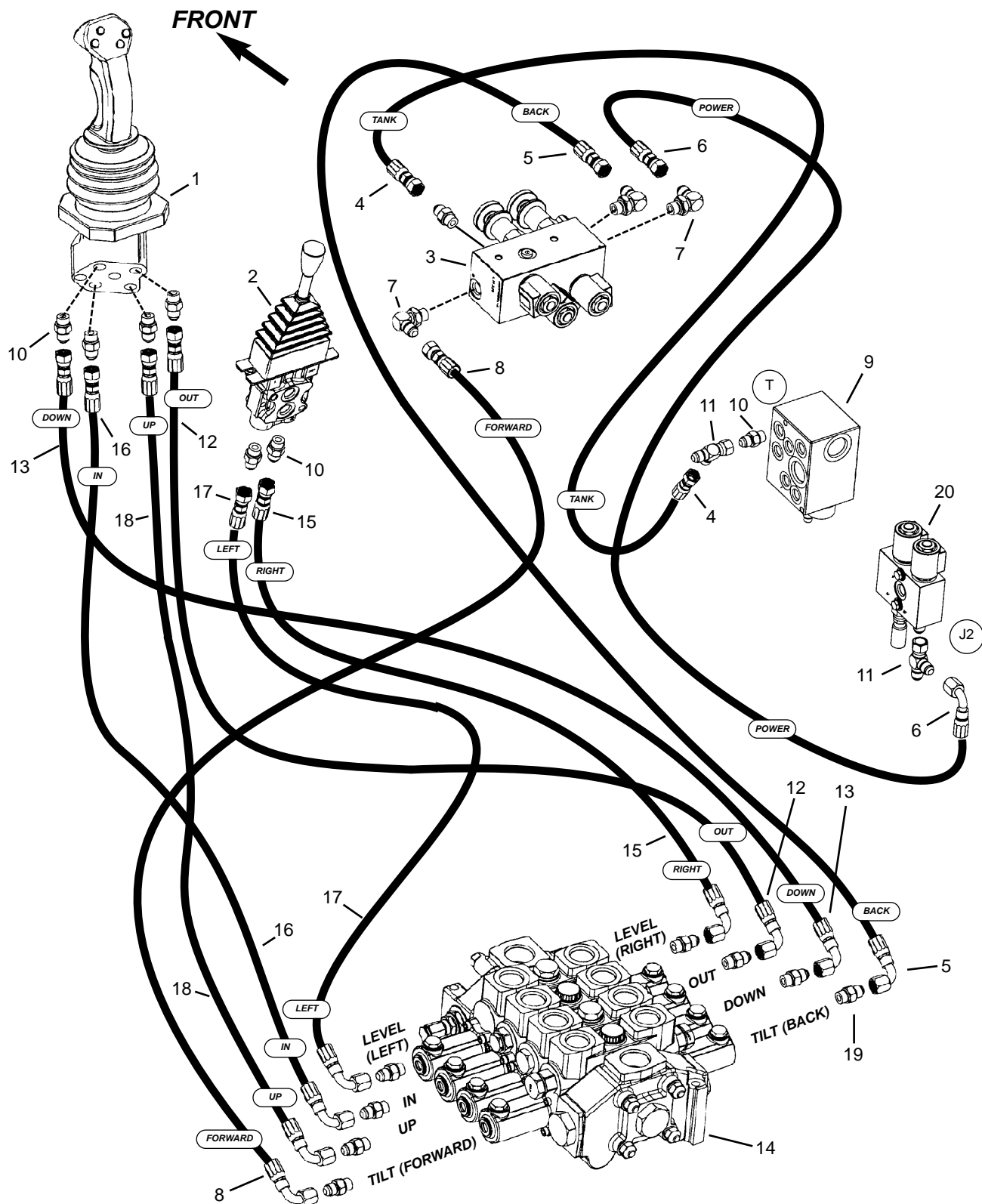
Hydraulics

RS6-42/RS8-42/44

Main Valve - Tri-Function Controller (w/Auxiliary Hydraulics)



Main Valve - Tri-Function Controller (w/PWP)



Telescopic Handler

Hydraulics

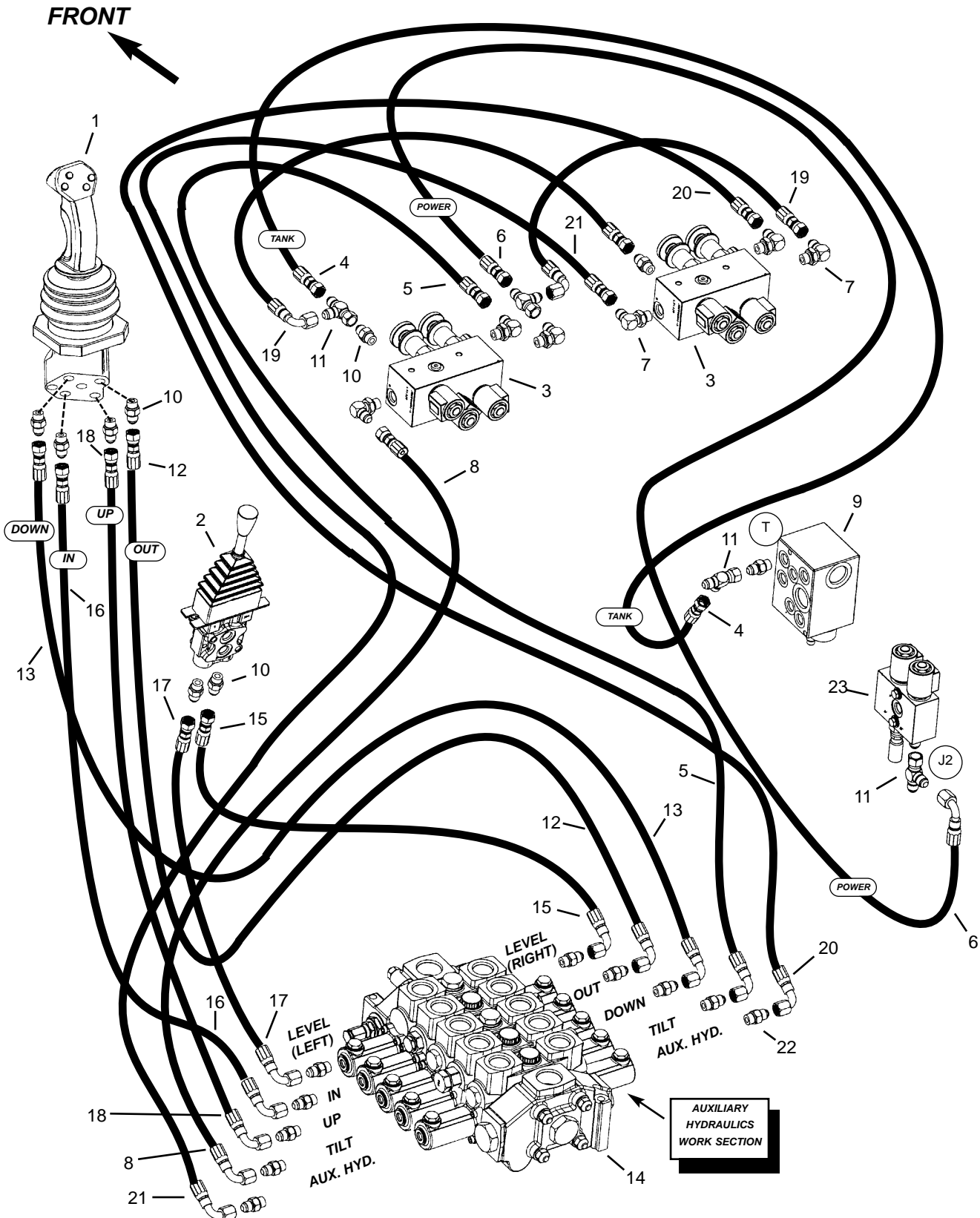
Main Valve - Tri-Function Controller (w/PWP)

Ref. No.	Part No.	Description	Qty. Req.	Ref. No.	Part No.	Description	Qty. Req.
01	104083	CONTROLLER, TRI-FUNCTION ..	1	13	102845	HOSE, -4 A6/DS6 120"	1
02	102435	CONTROLLER	1	14	102356	MAIN VALVE	1
03	L71339	PILOT APPLY MANIFOLD.....	1	15	102844	HOSE, -4 A6/DS6 108"	1
04	102786	HOSE, -4 A6/A6 54"	1	16	102845	HOSE, -4 A6/DS6 120"	1
05	L68809	HOSE, -4 A6/DS6 136"	1	17	102844	HOSE, -4 A6/DS6 108"	1
06	103318	HOSE, -4 A6/DS6 52"	1	18	102845	HOSE, -4 A6/DS6 120"	1
07	L445003	ADAP, -6ORM -6JICM 90°.....	AR	19	103194	ADAP, 1/4BSP -6JICM STR	AR
08	102845	HOSE, -4 A6/DS6 120"	1	20	102321	MANIFOLD, PWP/WPS.....	1
09	102313	MANIFOLD, JOYSTICK RELIEF... 1					
10	L444002	ADAP, -6ORM -6JICM STR	AR				
11	L446049	ADAP., -6JIC SWIVEL	AR				
12	102845	HOSE, -4 A6/DS6 120"	1				
				00	104216	-- ITEMS NOT SHOWN-- HARNES, TRI-FUNCTION CTRL. 1	

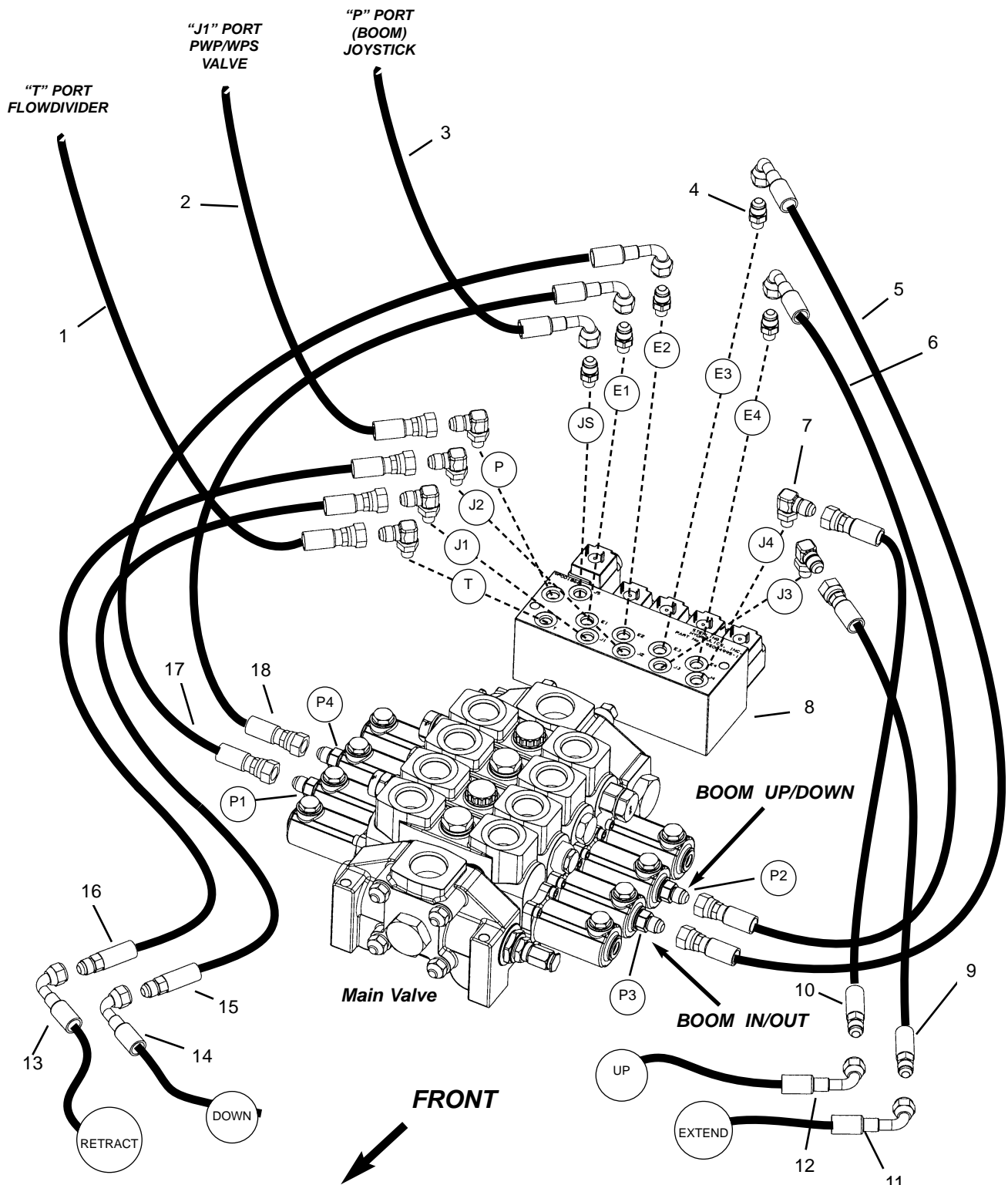
Hydraulics

RS6-42/RS8-42/44

Main Valve - Tri-Function Controller (w/PWP and Auxiliary Hydraulics)



Main Valve - Radio Remote Control Option

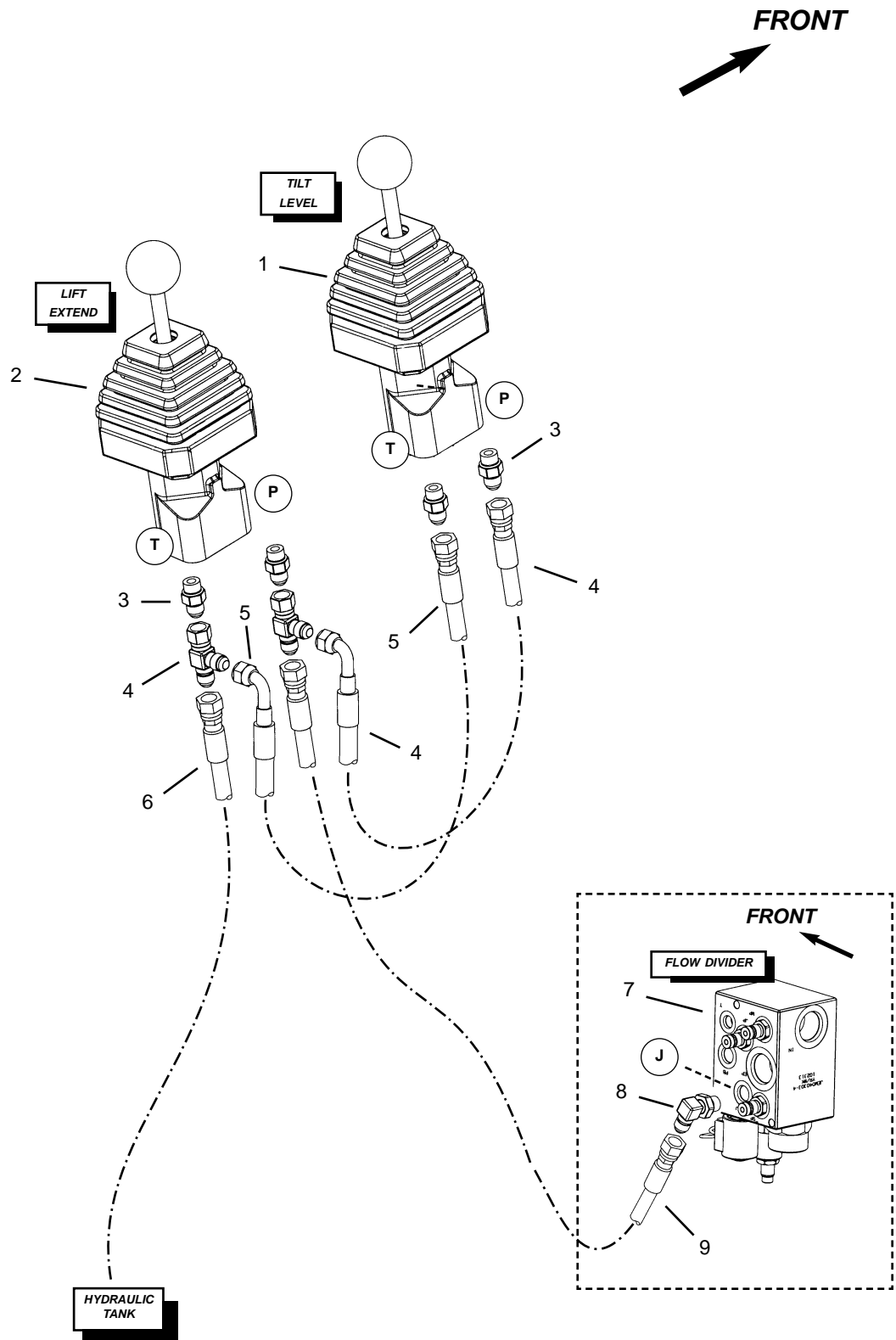


Telescopic Handler

Hydraulics

Main Valve - Radio Remote Option

Ref. No.	Part No.	Description	Qty. Req.	Ref. No.	Part No.	Description	Qty. Req.
01	L69905	HOSE, -6 A6/A6 130"	1	10	L69902	HOSE, -6 A6/H6 20"	1
02	L69906	HOSE, -6 A6/A6 110"	1	11	102844	HOSE, -4 A6/DS6 108"	4
03	103505	HOSE, -4 H6/A6 109"	1	12	102844	HOSE, -4 A6/DS6 108"	4
04	L444012	ADAP, -4ORM -6JICM STR.	5	13	102844	HOSE, -4 A6/DS6 108"	4
05	L68804	HOSE, -4 A6/DS6 26"	1	14	102844	HOSE, -4 A6/DS6 108"	4
06	L68804	HOSE, -4 A6/DS6 26"	1	15	L69902	HOSE, -6 A6/H6 20"	1
07	L62842	ADAP, -4ORM -6JICM 90°	6	16	L69902	HOSE, -6 A6/H6 20"	1
08	103413	MANIFOLD, RADIO REMOTE	1	17	L68804	HOSE, -4 A6/DS6 26"	1
09	L69902	HOSE, -6 A6/H6 20"	1	18	L68804	HOSE, -4 A6/DS6 26"	1



Telescopic Handler

Hydraulics

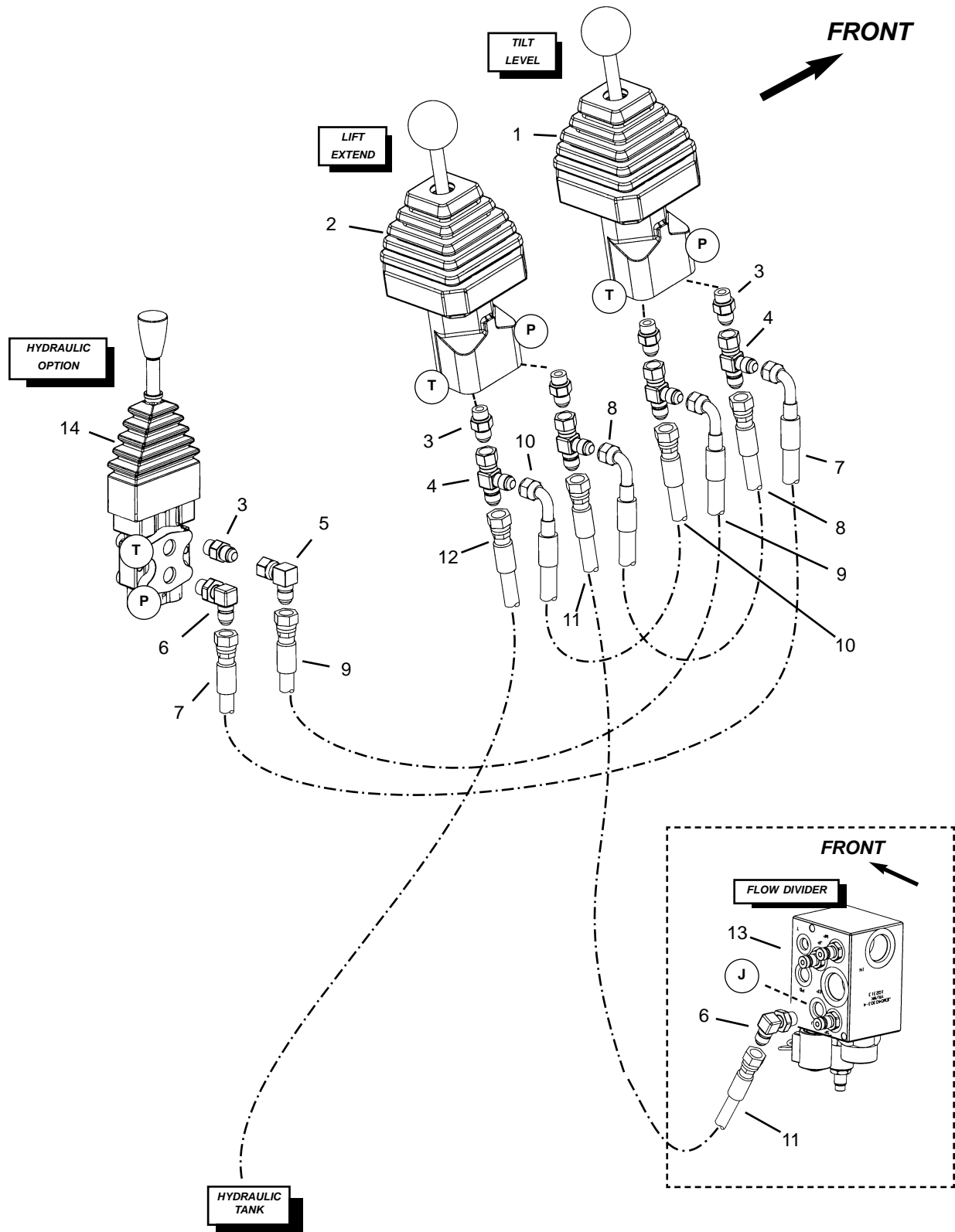
Dual Controllers (Standard)

Ref. No.	Part No.	Description	Qty. Req.	Ref. No.	Part No.	Description	Qty. Req.
01	102784	CONTROLLER, TILT/LEVEL.....	1	06	102843	HOSE, -4 A6/DS6 35"	1
02	102434	CONTROLLER, LIFT/EXTEND....	1	07	102313	MANIFOLD, JOYSTICK RELIEF...	1
03	L444002	ADAP, -6ORM -6JICM STR.....	4	08	L445003	ADAP, -6ORM -6JICM 90°	1
04	L69903	HOSE, -4 A6/DS6 17"	1	09	102786	HOSE, -4 A6/A6 54"	1
05	L69903	HOSE, -4 A6/DS6 17"	1				

Hydraulics

Dual Controllers (w/Auxiliary Hydraulics)

RS6-42/RS8-42/44



Telescopic Handler

Hydraulics

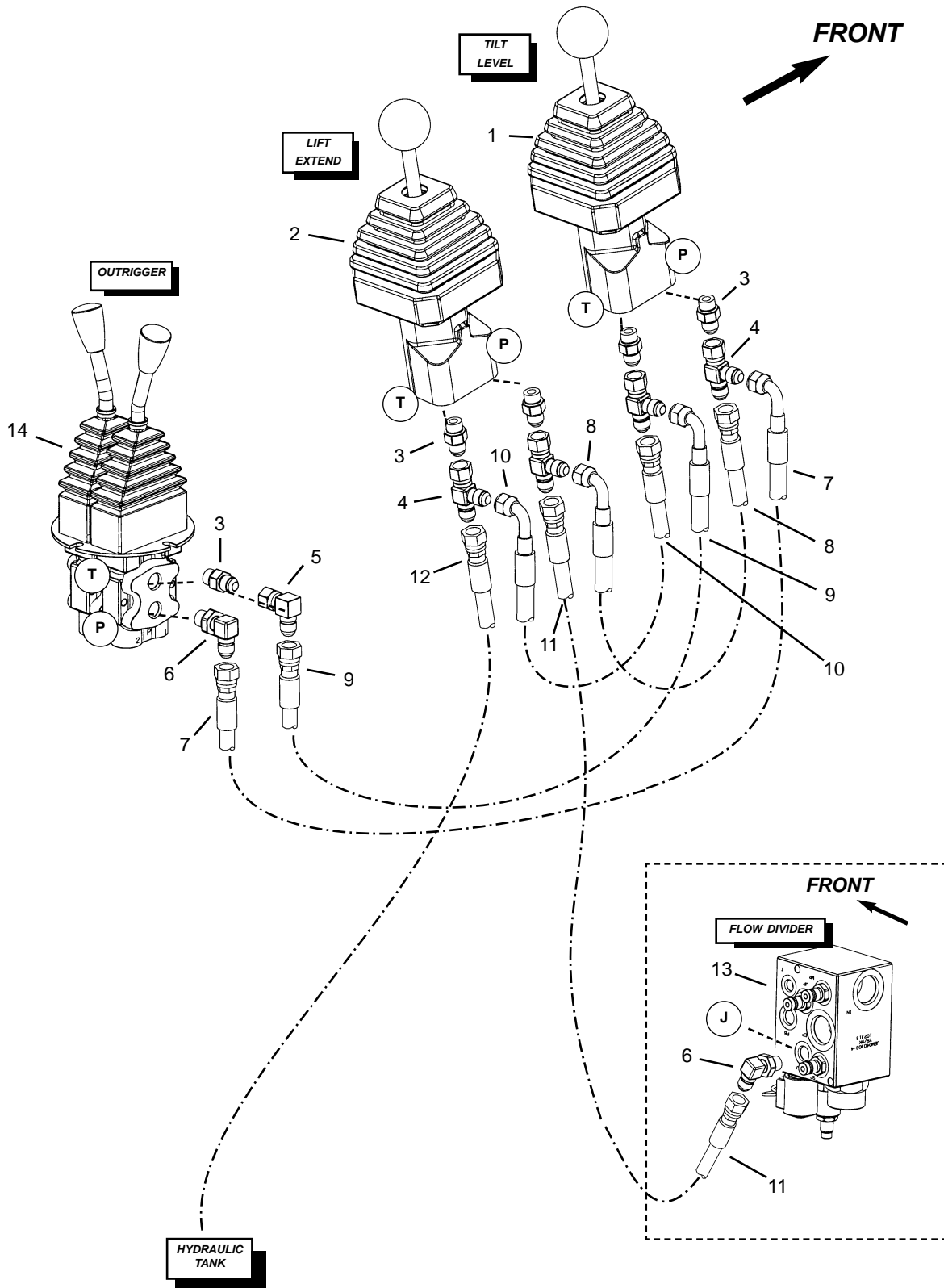
Dual Controllers (w/Auxiliary Hydraulics)

Ref. No.	Part No.	Description	Qty. Req.	Ref. No.	Part No.	Description	Qty. Req.
01	102784	CONTROLLER, TILT/LEVEL	1	08	L69903	HOSE, -4 A6/DS6 17"	1
02	102434	CONTROLLER, LIFT/EXTEND	1	09	L68804	HOSE, -4 A6/DS6 26"	1
03	L444002	ADAP, -6ORM -6JICM STR	AR	10	L69903	HOSE, -4 A6/DS6 17"	1
04	L446049	ADAP, -6 SWIVEL RUN TEE	AR	11	102786	HOSE, -4 A6/A6 54"	1
05	L60653	ADAP, -6JICM -6JICFS 90°	AR	12	102843	HOSE, -4 A6/DS6 35"	1
06	L445003	ADAP, -6ORM -6JICM 90°	AR	13	102313	MANIFOLD, JOYSTICK RELIEF	1
07	L68804	HOSE, -4 A6/DS6 26"	1	14	102435	CONTROLLER, AUX. HYD.	1

Hydraulics

Dual Controllers (w/Outriggers)

RS6-42/RS8-42/44



Telescopic Handler

Hydraulics

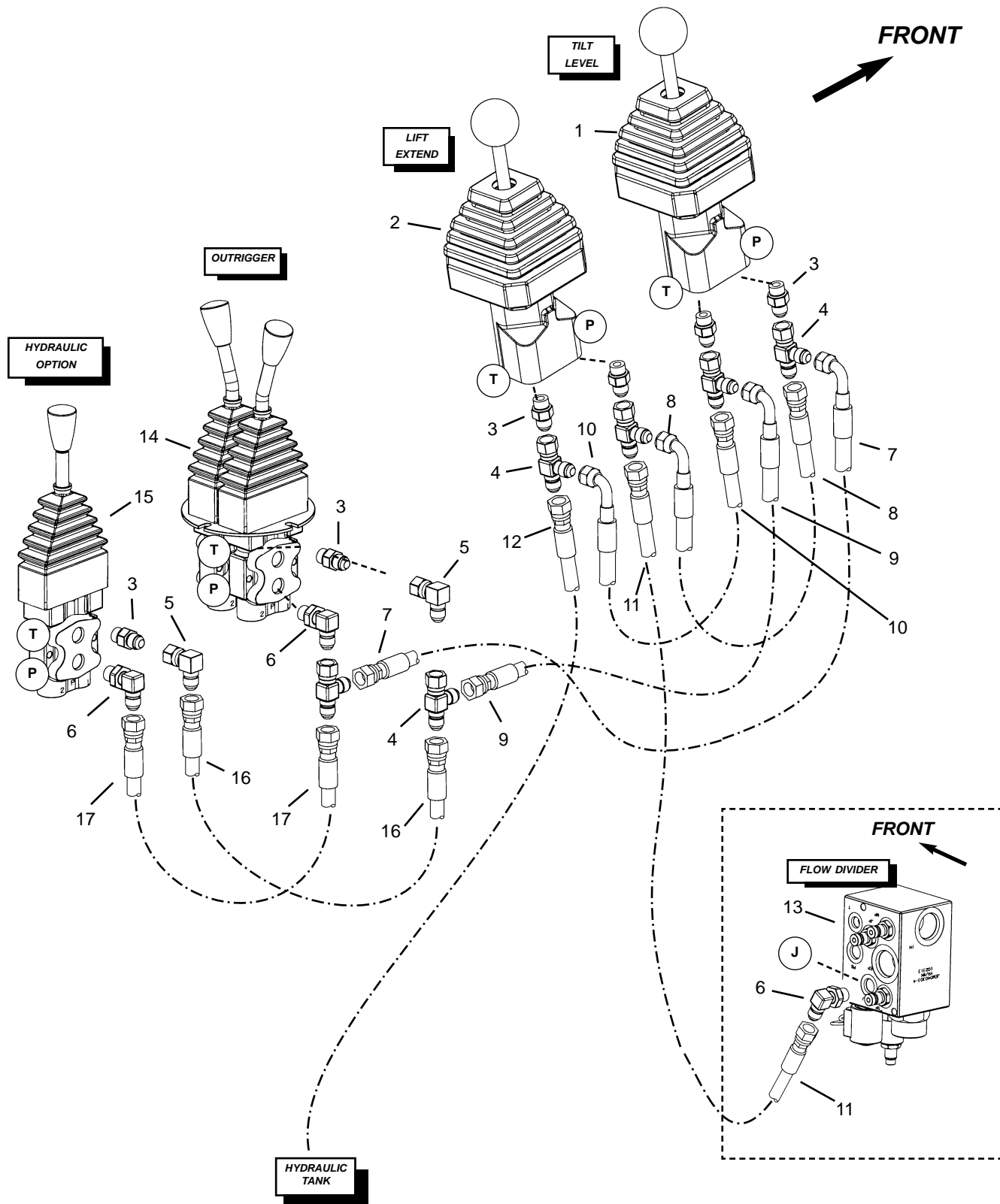
Dual Controllers (w/Outriggers)

Ref. No.	Part No.	Description	Qty. Req.	Ref. No.	Part No.	Description	Qty. Req.
01	102784	CONTROLLER, TILT/LEVEL	1	08	L69903	HOSE, -4 A6/DS6 17"	1
02	102434	CONTROLLER, LIFT/EXTEND	1	09	L69904	HOSE, -4 A6/DS6 20"	1
03	L444002	ADAP, -6ORM -6JICM STR	AR	10	L69903	HOSE, -4 A6/DS6 17"	1
04	L446049	ADAP, -6 SWIVEL RUN TEE	AR	11	102786	HOSE, -4 A6/A6 54"	1
05	L60653	ADAP, -6JICM -6JICFS 90°	AR	12	102843	HOSE, -4 A6/DS6 35"	1
06	L445003	ADAP, -6ORM -6JICM 90°	AR	13	102313	MANIFOLD, JOYSTICK RELIEF	1
07	L69904	HOSE, -4 A6/DS6 20"	1	14	102436	CONTROLLER, OUTRIGGERS	1

Hydraulics

Dual Controllers (All Options except PWP)

RS6-42/RS8-42/44



Telescopic Handler

Hydraulics

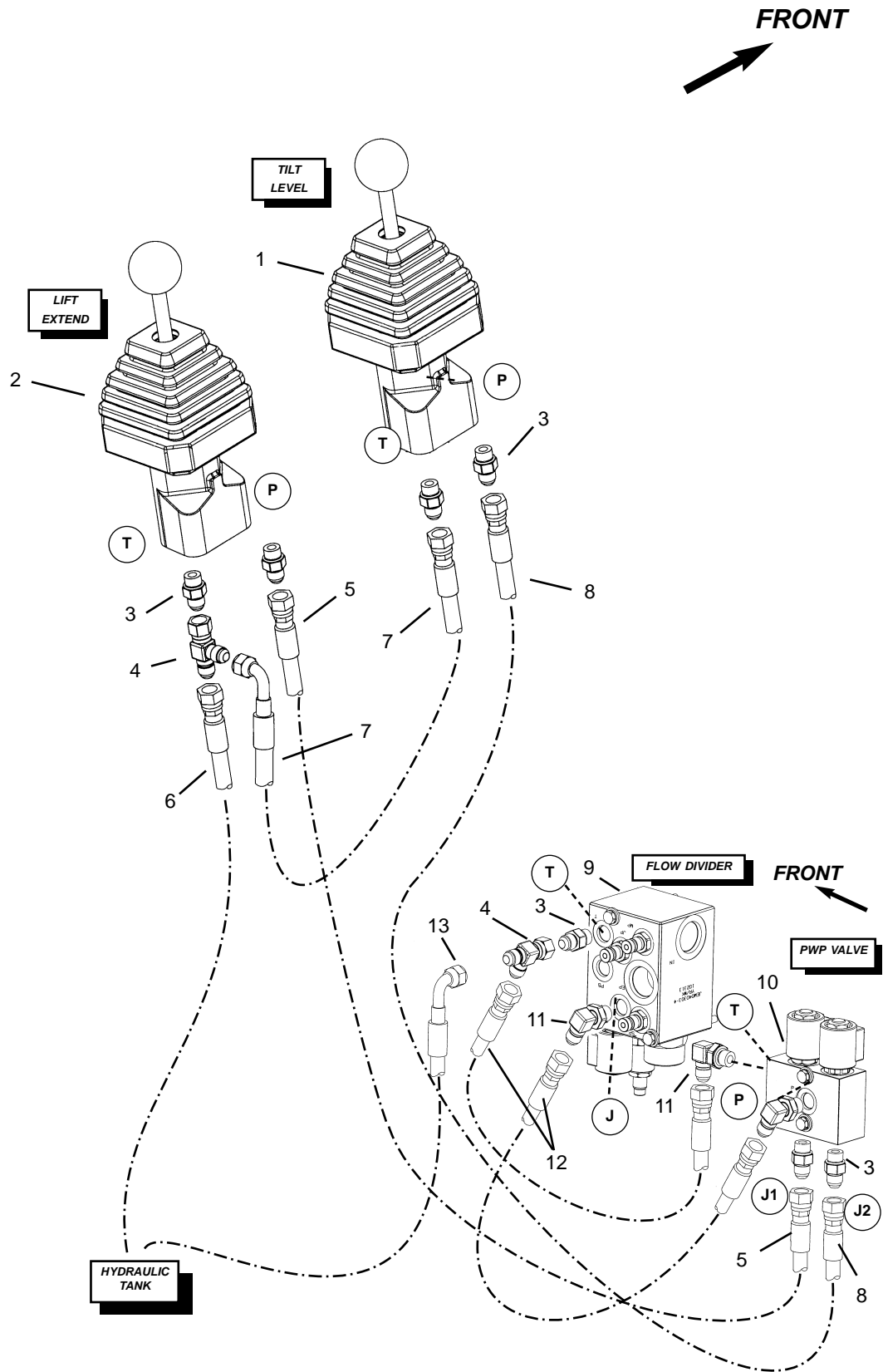
Dual Controllers (All Options except PWP)

Ref. No.	Part No.	Description	Qty. Req.	Ref. No.	Part No.	Description	Qty. Req.
01	102784	CONTROLLER, TILT/LEVEL	1	10	L69903	HOSE, -4 A6/DS6 17"	1
02	102434	CONTROLLER, LIFT/EXTEND	1	11	102786	HOSE, -4 A6/A6 54"	1
03	L444002	ADAP, -6ORM -6JICM STR	AR	12	102843	HOSE, -4 A6/DS6 35"	1
04	L446049	ADAP, -6 SWIVEL RUN TEE	AR	13	102313	MANIFOLD, JOYSTICK RELIEF	1
05	L60653	ADAP, -6JICM -6JICFS 90°	AR	14	102436	CONTROLLER, OUTRIGGERS	1
06	L445003	ADAP, -6ORM -6JICM 90°	AR	15	102435	CONTROLLER, AUX. HYD.	1
07	L69904	HOSE, -4 A6/DS6 20"	1	16	L69903	HOSE, -4 A6/DS6 17"	1
08	L69903	HOSE, -4 A6/DS6 17"	1	17	L69903	HOSE, -4 A6/DS6 17"	1
09	L69904	HOSE, -4 A6/DS6 20"	1				

Hydraulics

Dual Controllers (w/PWP Only)

RS6-42/RS8-42/44



Telescopic Handler

Hydraulics

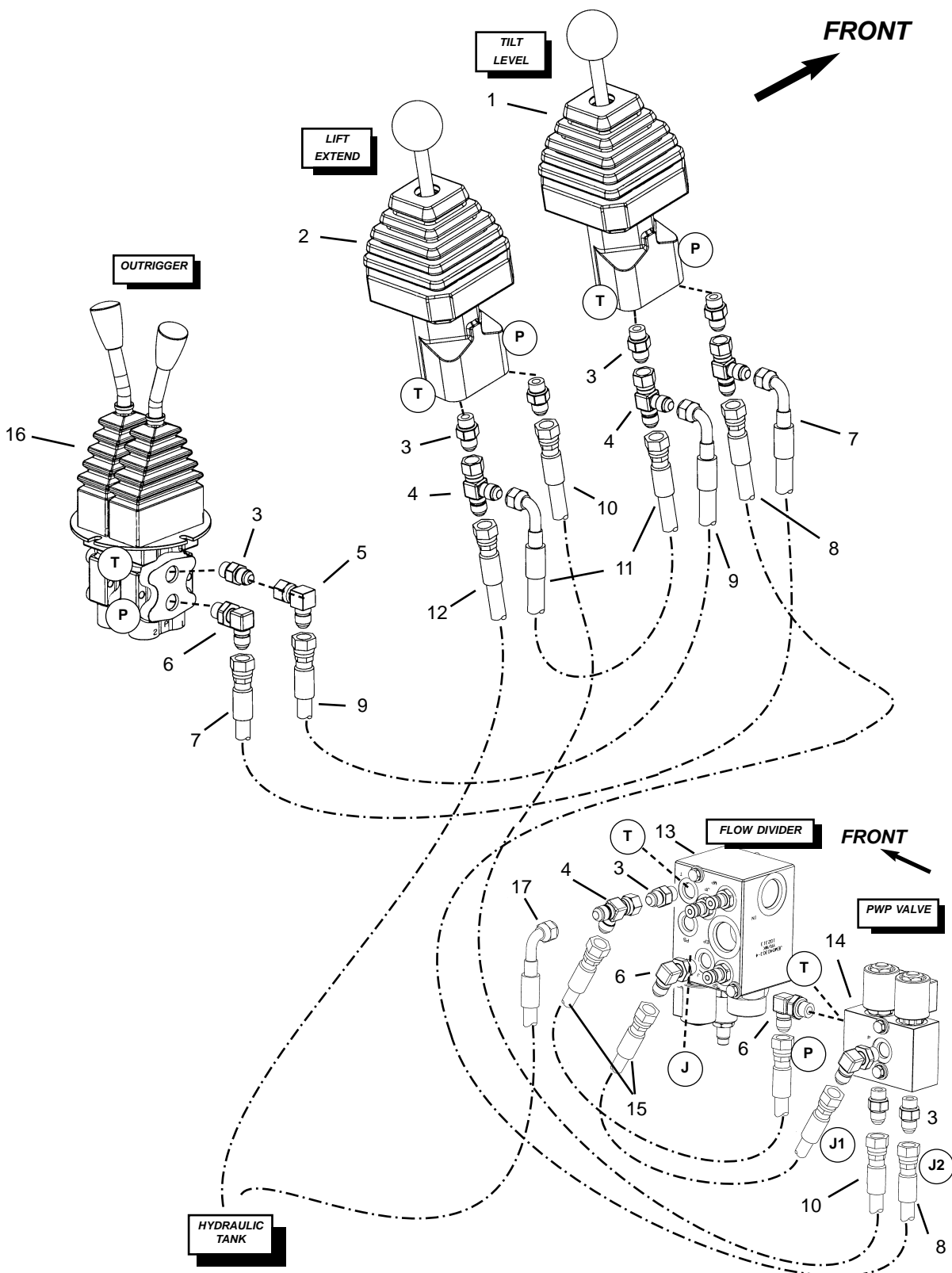
Dual Controllers (w/PWP Only)

Ref. No.	Part No.	Description	Qty. Req.	Ref. No.	Part No.	Description	Qty. Req.
01	102784	CONTROLLER, TILT/LEVEL	1	08	102786	HOSE, -4 A6/A6 54"	1
02	102434	CONTROLLER, LIFT/EXTEND	1	09	102313	MANIFOLD, JOYSTICK RELIEF	1
03	L444002	ADAP, -6ORM -6JICM STR AR		10	102321	MANIFOLD, PWP JOYSTICK	1
04	L446049	ADAP, -6 SWIVEL RUN TEE AR		11	L445003	ADAP, -6ORM -6JICM 90°	2
05	102786	HOSE, -4 A6/A6 54"	1	12	L63381	HOSE, -4 A6/A6 15"	2
06	102843	HOSE, -4 A6/DS6 35"	1	13	102946	HOSE, -6AS/DS6 18"	1
07	L69903	HOSE, -4 A6/DS6 17"	1				

Hydraulics

Dual Controllers (w/PWP and Outriggers)

RS6-42/RS8-42/44



Telescopic Handler

Hydraulics

Dual Controllers (w/PWP and Outriggers)

Ref. No.	Part No.	Description	Qty. Req.	Ref. No.	Part No.	Description	Qty. Req.
01	102784	CONTROLLER, TILT/LEVEL	1	10	102786	HOSE, -4 A6/A6 54"	1
02	102434	CONTROLLER, LIFT/EXTEND	1	11	L69903	HOSE, -4 A6/DS6 17"	1
03	L444002	ADAP, -6ORM -6JICM STR	AR	12	102843	HOSE, -4 A6/DS6 35"	1
04	L446049	ADAP, -6 SWIVEL RUN TEE	AR	13	102313	MANIFOLD, JOYSTICK RELIEF	1
05	L60653	ADAP, -6JICM -6JICFS 90°	AR	14	102321	MANIFOLD, PWP JOYSTICK	1
06	L445003	ADAP, -6ORM -6JICM 90°	AR	15	L63381	HOSE, -4 A6/A6 15"	2
07	L69904	HOSE, -4 A6/DS6 20"	1	16	102436	CONTROLLER, OUTRIGGERS	1
08	102786	HOSE, -4 A6/A6 54"	1	17	102946	HOSE, -6 A6/DS6 18"	1
09	L69904	HOSE, -4 A6/DS6 20"	1				

Telescopic Handler

Hydraulics

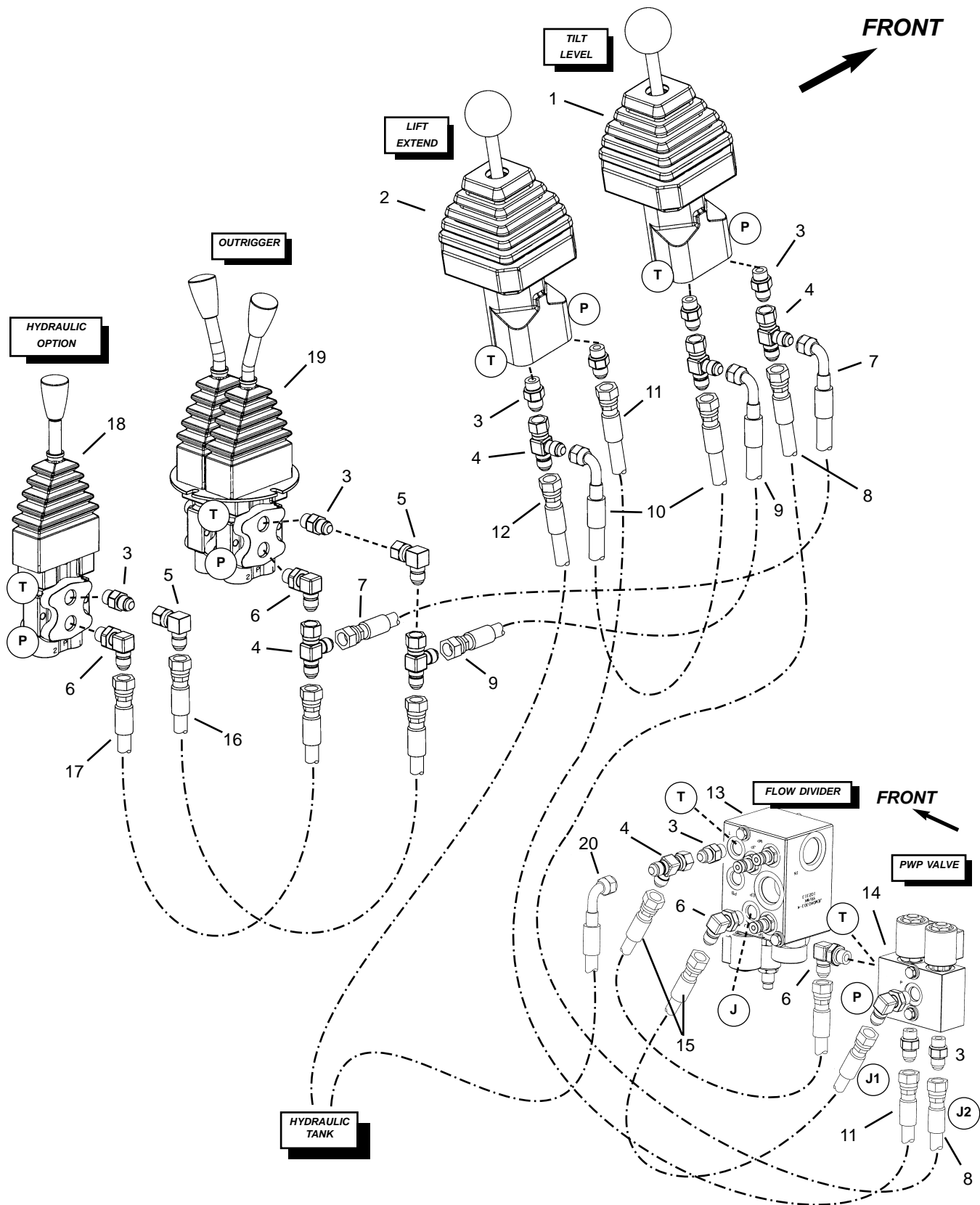
Dual Controllers (w/PWP and Auxiliary Hydraulics)

Ref. No.	Part No.	Description	Qty. Req.	Ref. No.	Part No.	Description	Qty. Req.
01	102784	CONTROLLER, TILT/LEVEL.....	1	10	L69903	HOSE, -4 A6/DS6 17"	1
02	102434	CONTROLLER, LIFT/EXTEND....	1	11	102786	HOSE, -4 A6/A6 54"	1
03	L444002	ADAP, -6ORM -6JICM STR	AR	12	102843	HOSE, -4 A6/DS6 35"	1
04	L446049	ADAP, -6 SWIVEL RUN TEE	AR	13	102313	MANIFOLD, JOYSTICK RELIEF...	1
05	L60653	ADAP, -6JICM -6JICFS 90°	AR	14	102321	MANIFOLD, PWP JOYSTICK	1
06	L445003	ADAP, -6ORM -6JICM 90°	AR	15	L63381	HOSE, -4 A6/A6 15"	1
07	L68804	HOSE, -4 A6/DS6 26"	1	16	102435	CONTROLLER, AUX. HYD.....	1
08	102786	HOSE, -4 A6/A6 54"	1	17	102946	HOSE, -6 A6/DS6 18"	1
09	L68804	HOSE, -4 A6/DS6 26"	1				

Hydraulics

RS6-42/RS8-42/44

Dual Controllers (w/PWP, Outriggers and Auxiliary Hydraulics)

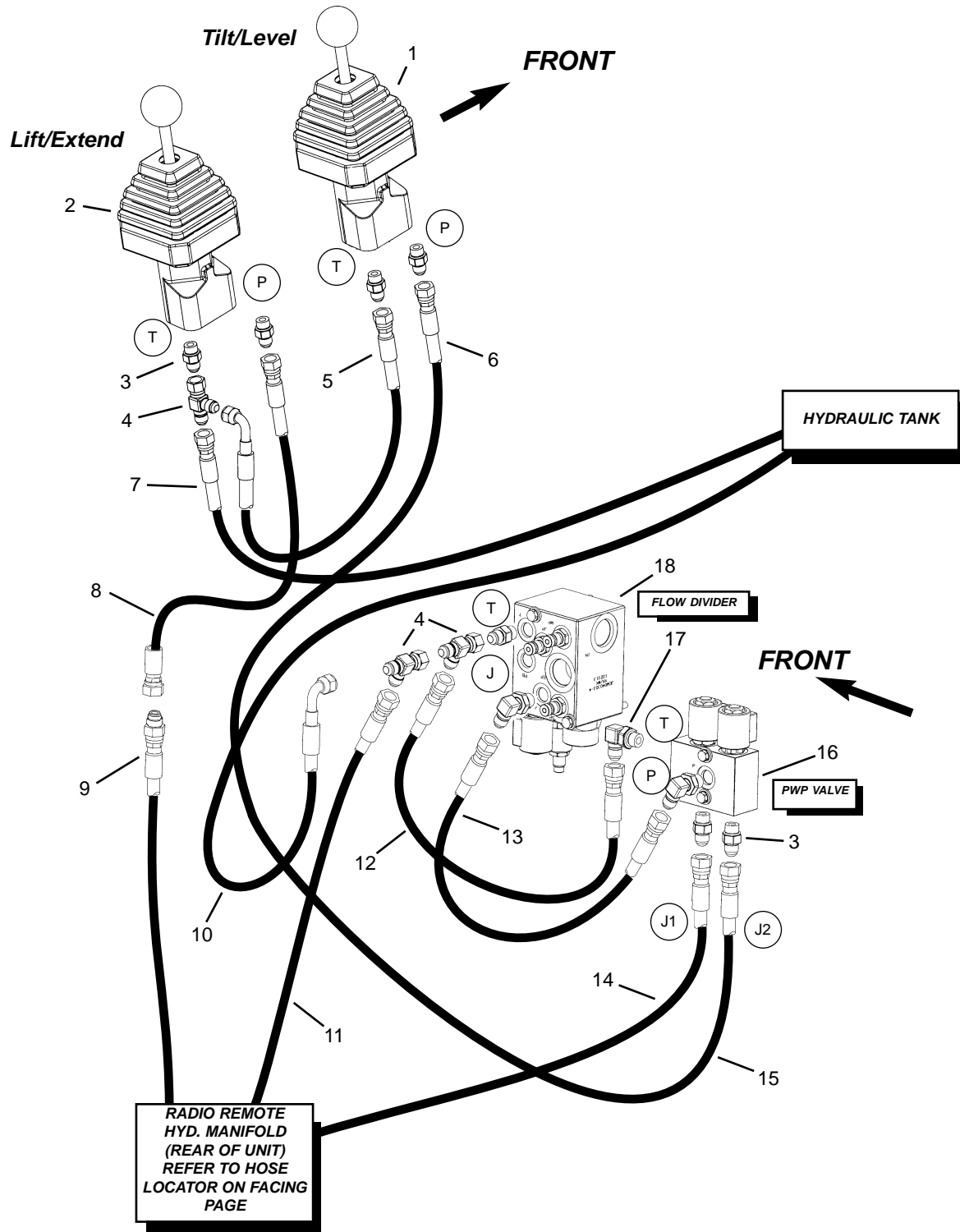


Telescopic Handler

Hydraulics

Dual Controllers (w/PWP, Outriggers and Auxiliary Hydraulics)

Ref. No.	Part No.	Description	Qty. Req.	Ref. No.	Part No.	Description	Qty. Req.
01	102784	CONTROLLER, TILT/LEVEL	1	11	102786	HOSE, -4 A6/A6 54"	1
02	102434	CONTROLLER, LIFT/EXTEND	1	12	102843	HOSE, -4 A6/DS6 35"	1
03	L444002	ADAP, -6ORM -6JICM STR	AR	13	102313	MANIFOLD, JOYSTICK RELIEF	1
04	L446049	ADAP, -6 SWIVEL RUN TEE	AR	14	102321	MANIFOLD, PWP JOYSTICK	1
05	L60653	ADAP, -6JICM -6JICFS 90°	AR	15	L63381	HOSE, -4 A6/A6 15"	2
06	L445003	ADAP, -6ORM -6JICM 90°	AR	16	L69903	HOSE, -4 A6/DS6 17"	1
07	L68804	HOSE, -4 A6/DS6 26"	1	17	L69903	HOSE, -4 A6/DS6 17"	1
08	102786	HOSE, -4 A6/A6 54"	1	18	102435	CONTROLLER, AUX. HYD.	1
09	L68804	HOSE, -4 A6/DS6 26"	1	19	102436	CONTROLLER, OUTRIGGERS	1
10	L69903	HOSE, -4 A6/DS6 17"	1	20	102946	HOSE, -6 A6/DS6 18"	1



Telescopic Handler

Hydraulics

Dual Controllers (Radio Remote)

Ref. No.	Part No.	Description	Qty. Req.	Ref. No.	Part No.	Description	Qty. Req.
01	102784	CONTROLLER, TILT/LEVEL.....	1	10	102946	HOSE, -6 A6/DS6 18"	1
02	102434	CONTROLLER, LIFT/EXTEND....	1	11	L69905	HOSE, -6 A6/A6 130"	1
03	L444002	ADAP, -6ORM -6JICM STR	AR	12	L63381	HOSE, -4 A6/A6 15"	1
04	L446049	ADAP, -6 SWIVEL RUN TEE	AR	13	L63381	HOSE, -4 A6/A6 15"	1
05	L69903	HOSE, -4 A6/DS6 17"	1	14	L69906	HOSE, -6 A6/A6 110"	1
06	102786	HOSE, -4 A6/A6 54"	1	15	102786	HOSE, -4 A6/A6 54"	1
07	102843	HOSE, -4 A6/D6 35"	1	16	102321	MANIFOLD, PWP JOYSTICK	1
08	102786	HOSE, -4 A6/A6 54"	1	17	L445003	ADAP, -6ORM -6JICM 90°	2
09	103505	HOSE, -4 H6/A6 109"	1	18	102313	MANIFOLD, JOYSTICK RELIEF...	1

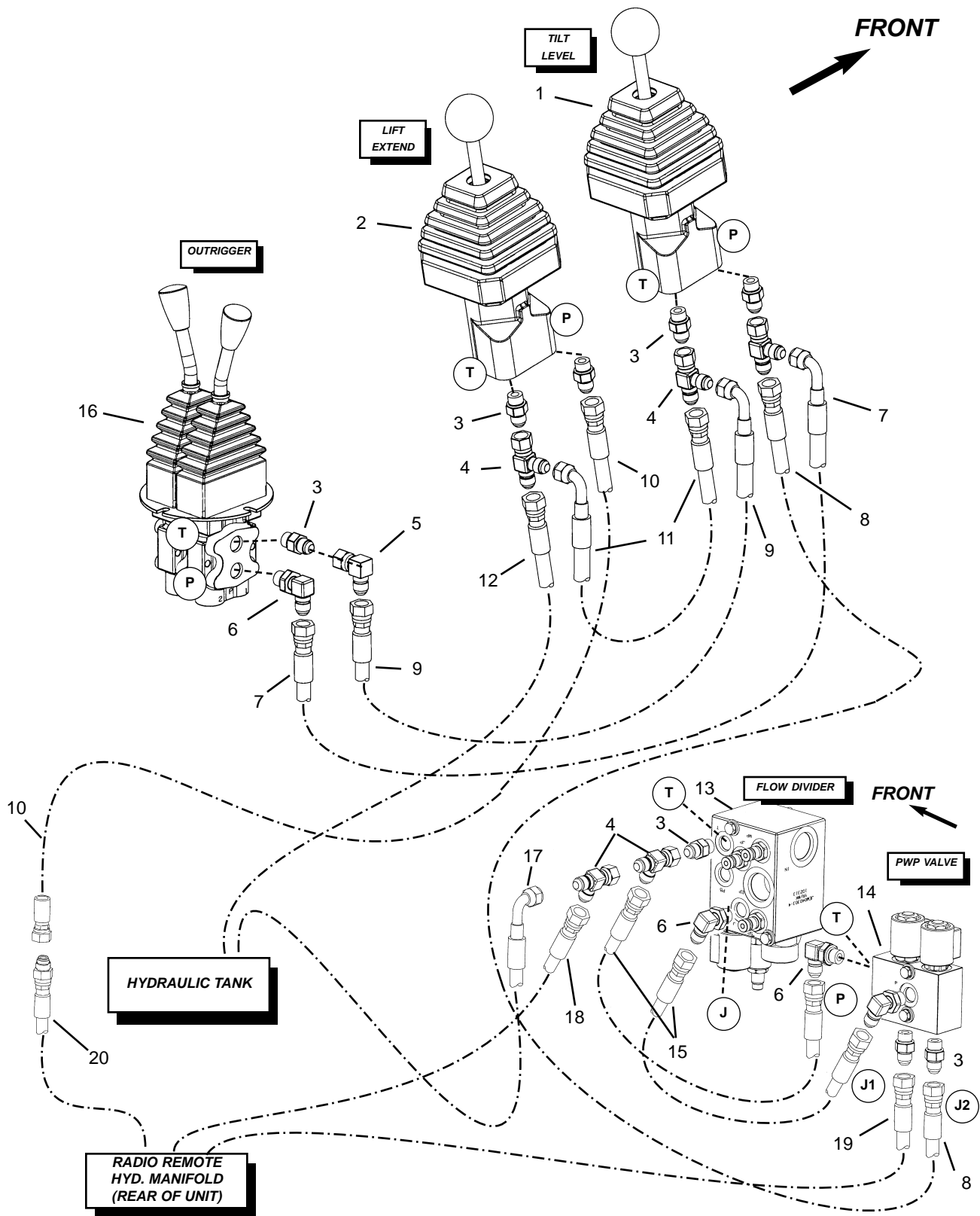
HOSE LOCATOR

09	CONNECTS TO LIFT/EXTEND "P" HOSE	RADIO REMOTE MANIFOLD "JS" PORT
11	TEE ON FLOWDIVDER "T" PORT	RADIO REMOTE MANIFOLD "T" PORT
14	PWP/WPS VALVE "J" PORT	RADIO REMOTE MANIFOLD "P" PORT

Hydraulics

Dual Controllers (Radio Remote - w/Outriggers)

RS6-42/RS8-42/44



Telescopic Handler

Hydraulics

Dual Controllers (Radio Remote - w/Outriggers)

Ref. No.	Part No.	Description	Qty. Req.	Ref. No.	Part No.	Description	Qty. Req.
01	102784	CONTROLLER, TILT/LEVEL	1	11	L69903	HOSE, -4 A6/DS6 17"	1
02	102434	CONTROLLER, LIFT/EXTEND	1	12	102843	HOSE, -4 A6/DS6 35"	1
03	L444002	ADAP, -6ORM -6JICM STR	AR	13	102313	MANIFOLD, JOYSTICK RELIEF	1
04	L446049	ADAP, -6 SWIVEL RUN TEE	AR	14	102321	MANIFOLD, PWP JOYSTICK	1
05	L60653	ADAP, -6JICM -6JICFS 90°	AR	15	L63381	HOSE, -4 A6/A6 15"	2
06	L445003	ADAP, -6ORM -6JICM 90°	AR	16	102436	CONTROLLER, OUTRIGGERS	1
07	L69904	HOSE, -4 A6/DS6 20"	1	17	102946	HOSE, -6 A6/DS6 18"	1
08	102786	HOSE, -4 A6/A6 54"	1	18	L69905	HOSE, -6 A6/A6 130"	1
09	L69904	HOSE, -4 A6/DS6 20"	1	19	L69906	HOSE, -6 A6/A6 110"	1
10	102786	HOSE, -4 A6/A6 54"	1	20	103505	HOSE, -4 H6/A6 109"	1

HOSE LOCATOR

18	TEE ON FLOWDIVDER "T" PORT	RADIO REMOTE MANIFOLD "T" PORT
19	PWP/WPS VALVE "JJ" PORT	RADIO REMOTE MANIFOLD "P" PORT
20	CONNECTS TO LIFT/EXTEND "P" HOSE	RADIO REMOTE MANIFOLD "JS" PORT

Telescopic Handler

Hydraulics

Dual Controllers (Radio Remote - w/Auxiliary Hydraulics)

Ref. No.	Part No.	Description	Qty. Req.	Ref. No.	Part No.	Description	Qty. Req.
01	102784	CONTROLLER, TILT/LEVEL	1	11	102786	HOSE, -4 A6/A6 54"	1
02	102434	CONTROLLER, LIFT/EXTEND	1	12	102843	HOSE, -4 A6/DS6 35"	1
03	L444002	ADAP, -6ORM -6JICM STR	AR	13	102313	MANIFOLD, JOYSTICK RELIEF	1
04	L446049	ADAP, -6 SWIVEL RUN TEE	AR	14	102321	MANIFOLD, PWP JOYSTICK	1
05	L60653	ADAP, -6JICM -6JICFS 90°	AR	15	L63381	HOSE, -4 A6/A6 15"	1
06	L445003	ADAP, -6ORM -6JICM 90°	AR	16	102435	CONTROLLER, AUX. HYD	1
07	L68804	HOSE, -4 A6/DS6 26"	1	17	102946	HOSE, -6 A6/DS6 18"	1
08	102786	HOSE, -4 A6/A6 54"	1	18	L69905	HOSE, -6 A6/A6 130"	1
09	L68804	HOSE, -4 A6/DS6 26"	1	19	L69906	HOSE, -6 A6/A6 110"	1
10	L69903	HOSE, -4 A6/DS6 17"	1	20	103505	HOSE, -4 H6/A6 109"	1

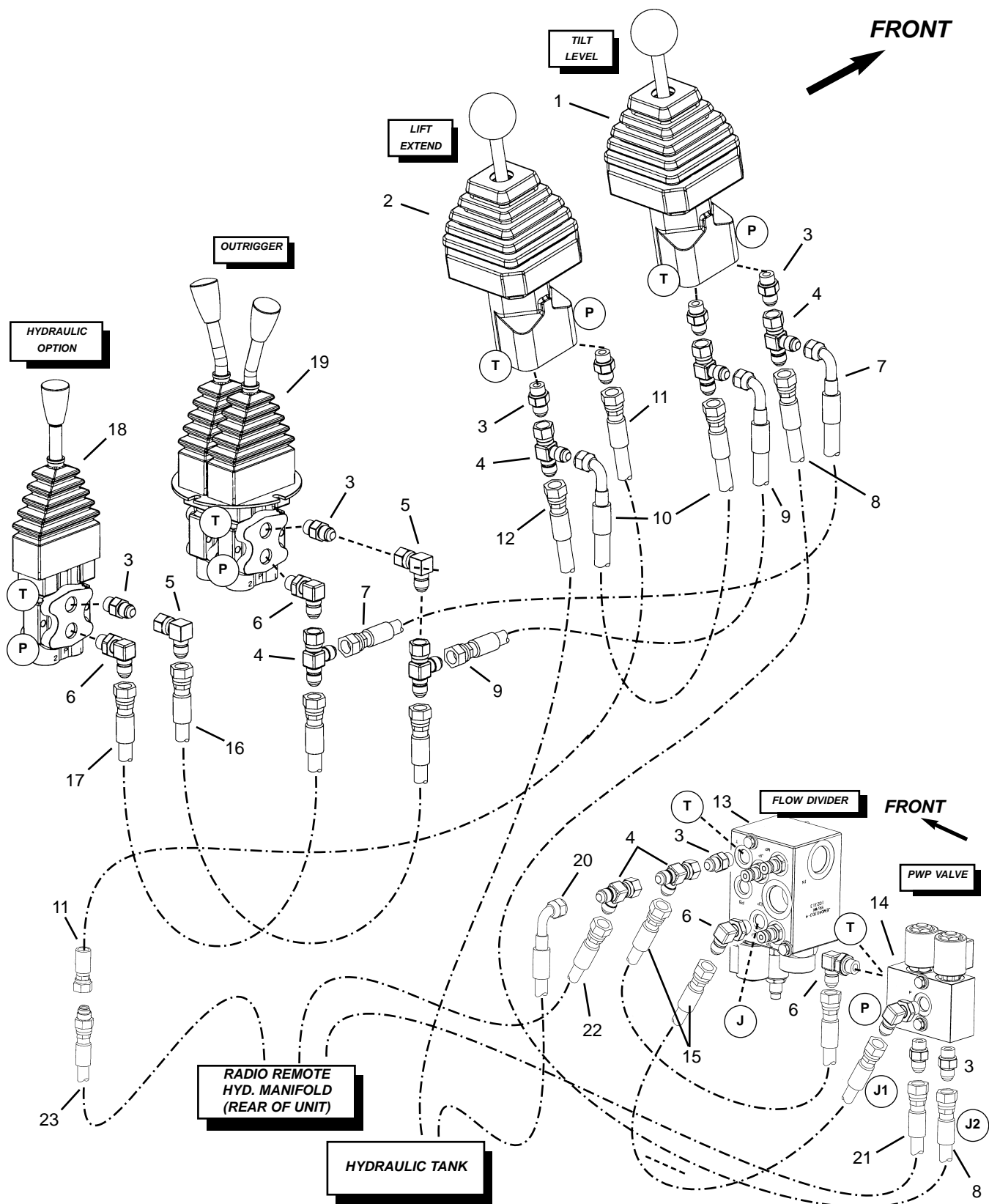
HOSE LOCATOR

18	TEE ON FLOWDIVDER "T" PORT	RADIO REMOTE MANIFOLD "T" PORT
19	PWP/WPS VALVE "JJ" PORT	RADIO REMOTE MANIFOLD "P" PORT
20	CONNECTS TO LIFT/EXTEND "P" HOSE	RADIO REMOTE MANIFOLD "JS" PORT

Hydraulics

RS6-42/RS8-42/44

Dual Controllers (Radio Remote - w/Auxiliary Hydraulics and Outriggers)



Telescopic Handler

Hydraulics

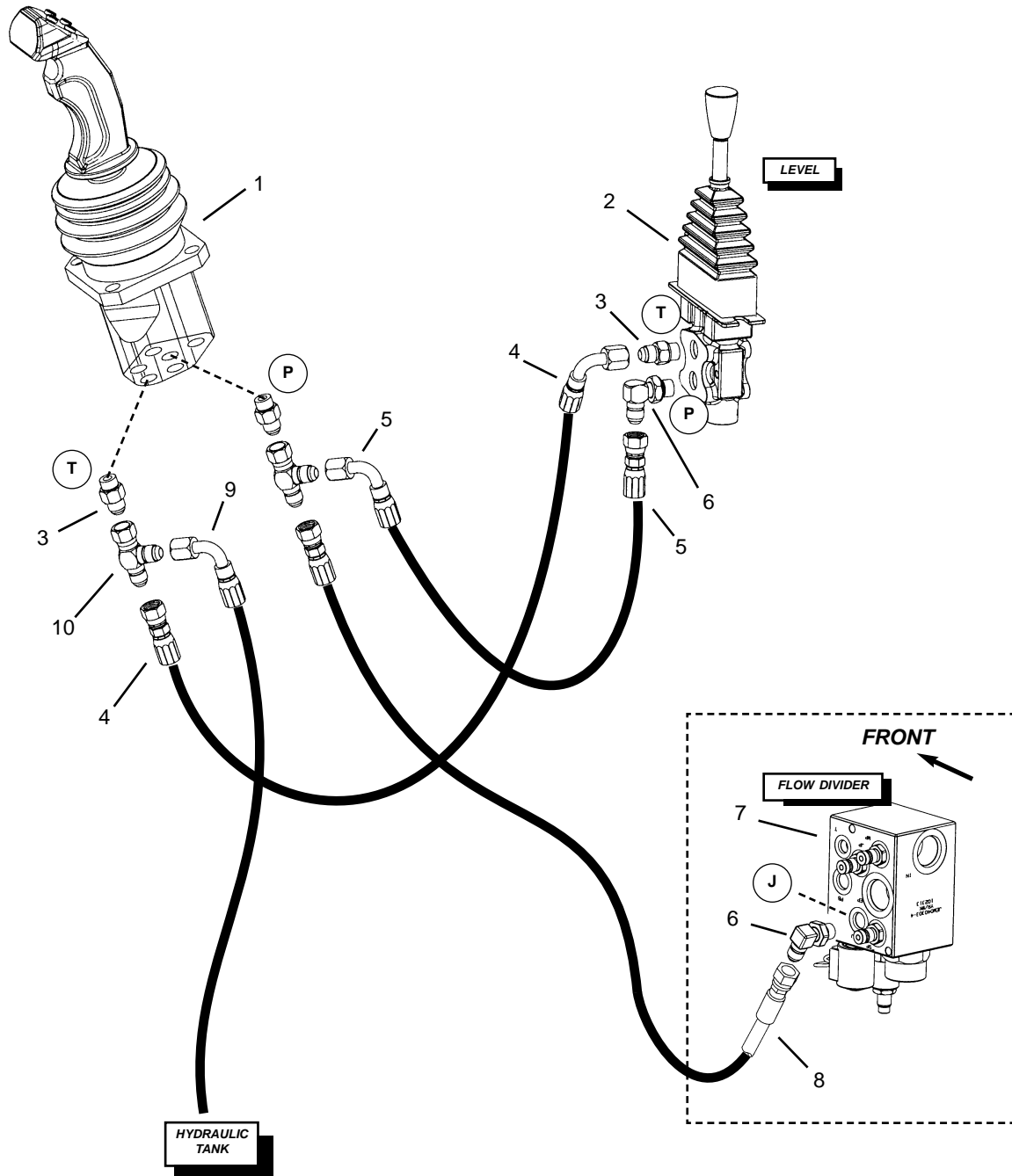
Dual Controllers (Radio Remote - w/Auxiliary Hydraulics and Option)

Ref. No.	Part No.	Description	Qty. Req.	Ref. No.	Part No.	Description	Qty. Req.
01	102784	CONTROLLER, TILT/LEVEL	1	12	102843	HOSE, -4 A6/DS6 35"	1
02	102434	CONTROLLER, LIFT/EXTEND	1	13	102313	MANIFOLD, JOYSTICK RELIEF	1
03	L444002	ADAP, -6ORM -6JICM STR	AR	14	102321	MANIFOLD, PWP JOYSTICK	1
04	L446049	ADAP, -6 SWIVEL RUN TEE	AR	15	L63381	HOSE, -4 A6/A6 15"	2
05	L60653	ADAP, -6JICM -6JICFS 90°	AR	16	L69903	HOSE, -4 A6/DS6 17"	1
06	L445003	ADAP, -6ORM -6JICM 90°	AR	17	L69903	HOSE, -4 A6/DS6 17"	1
07	L68804	HOSE, -4 A6/DS6 26"	1	18	102435	CONTROLLER, AUX. HYD.	1
08	102786	HOSE, -4 A6/A6 54"	1	19	102436	CONTROLLER, OUTRIGGERS	1
09	L68804	HOSE, -4 A6/DS6 26"	1	20	102946	HOSE, -6 A6/DS6 18"	1
10	L69903	HOSE, -4 A6/DS6 17"	1	21	L69906	HOSE, -6 A6/A6 110"	1
11	102786	HOSE, -4 A6/A6 54"	1	22	L69905	HOSE, -6 A6/A6 130"	1
				23	103505	HOSE, -4 H6/A6 109"	1

HOSE LOCATOR

21	PWP/WPS VALVE "JI" PORT	RADIO REMOTE MANIFOLD "P" PORT
22	TEE ON FLOWDIVDER "T" PORT	RADIO REMOTE MANIFOLD "T" PORT
23	CONNECTS TO "P" HOSE	RADIO REMOTE MANIFOLD "JS" PORT

FRONT ←



Telescopic Handler

Hydraulics

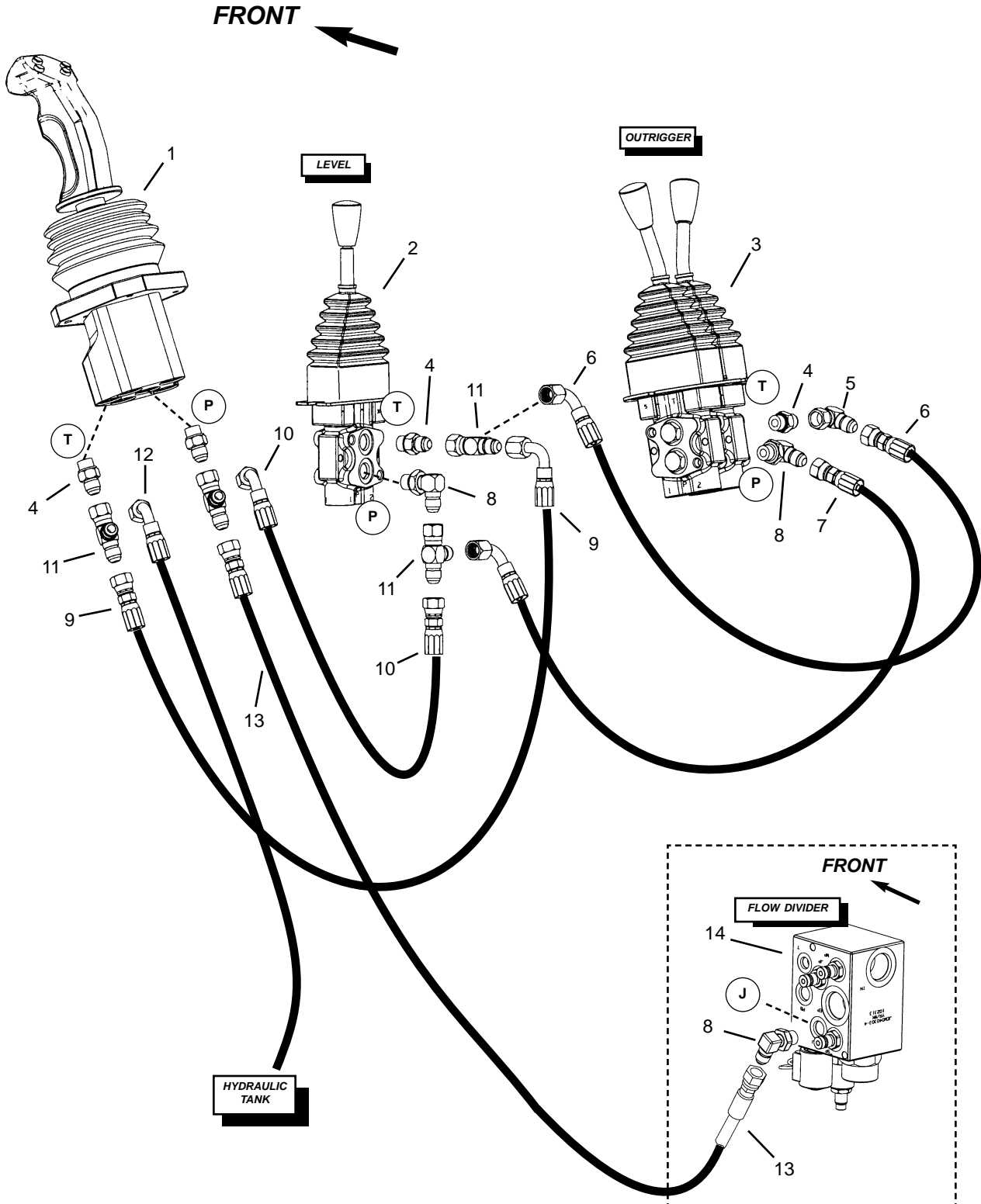
Tri-Function Controller (No Options)

Ref. No.	Part No.	Description	Qty. Req.	Ref. No.	Part No.	Description	Qty. Req.
01	104083	CONTROLLER, TRI-FUNCTION ..	1	06	L445003	ADAP, -6ORM -6JICM 90°	2
02	102435	CONTROLLER	1	07	102313	MANIFOLD, JOYSTICK RELIEF...	1
03	L444002	ADAP, -6ORM -6JICM STR.....	3	08	102786	HOSE, -4 A6/A6 54"	1
04	L69903	HOSE, -4 A6/DS6 17"	1	09	102843	HOSE, -4 A6/DS6 35"	1
05	L69903	HOSE, -4 A6/DS6 17"	1	10	L446049	ADAP., -6JIC SWIVEL.....	2

Hydraulics

Tri-Function Controller (w/Outriggers)

RS6-42/RS8-42/44



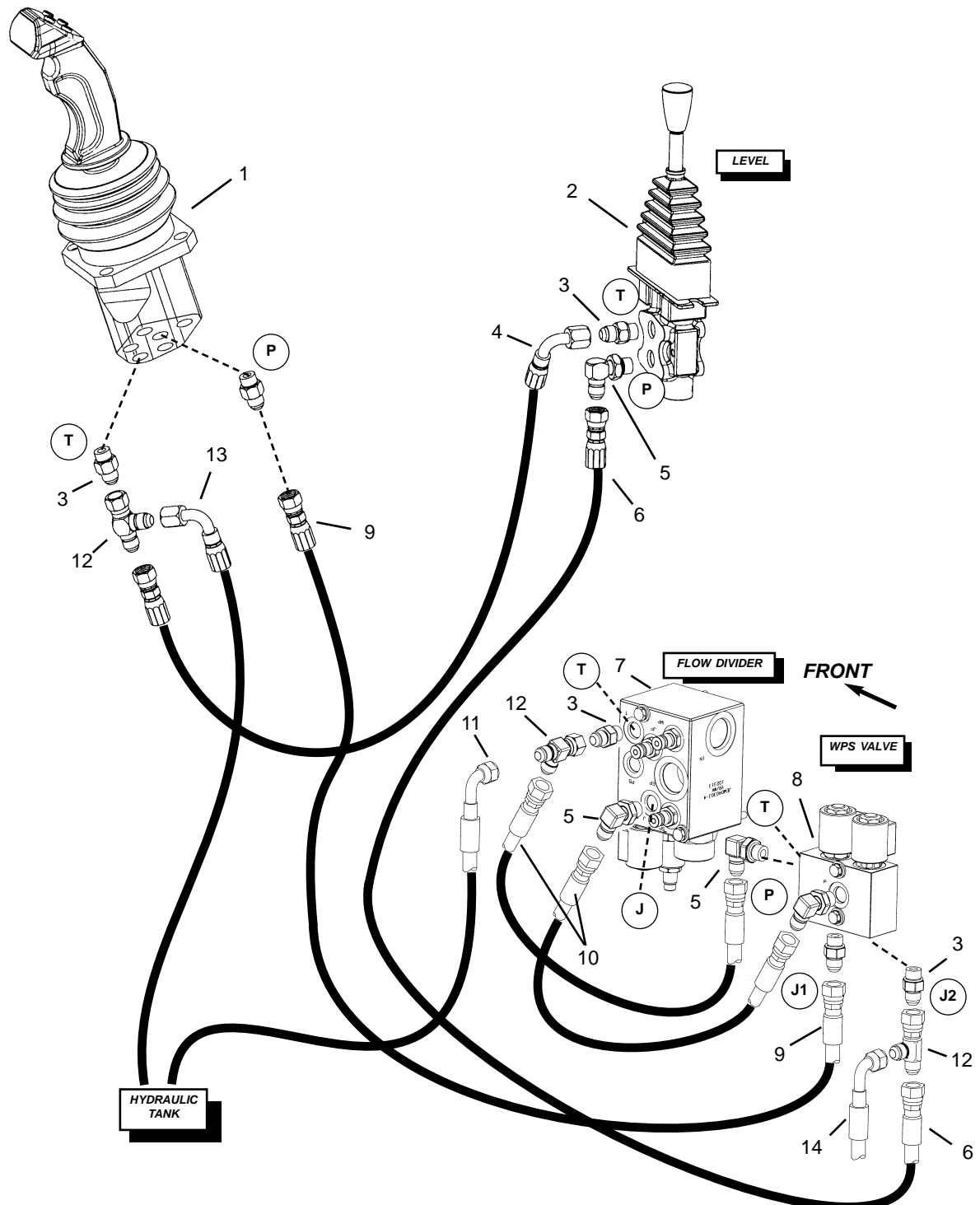
Telescopic Handler

Hydraulics

Tri-Function Controller (w/Outriggers)

Ref. No.	Part No.	Description	Qty. Req.	Ref. No.	Part No.	Description	Qty. Req.
01	104083	CONTROLLER, TRI-FUNCTION ..	1	08	L445003	ADAP, -6ORM -6JICM 90°	AR
02	102435	CONTROLLER	1	09	L69903	HOSE, -4 A6/DS6 17"	1
03	102436	CONTROLLER, OUTRIGGERS . . .	1	10	L69903	HOSE, -4 A6/DS6 17"	1
04	L444002	ADAP, -6ORM -6JICM STR	AR	11	L446049	ADAP., -6JIC SWIVEL	AR
05	L60653	ADAP, -6JICM -6JICFS 90°	AR	12	102843	HOSE, -4 A6/DS6 35"	1
06	L69904	HOSE, -4 A6/DS6 20"	1	13	102786	HOSE, -4 A6/A6 54"	1
07	L69904	HOSE, -4 A6/DS6 20"	1	14	102313	MANIFOLD, JOYSTICK RELIEF . . .	1

FRONT ←



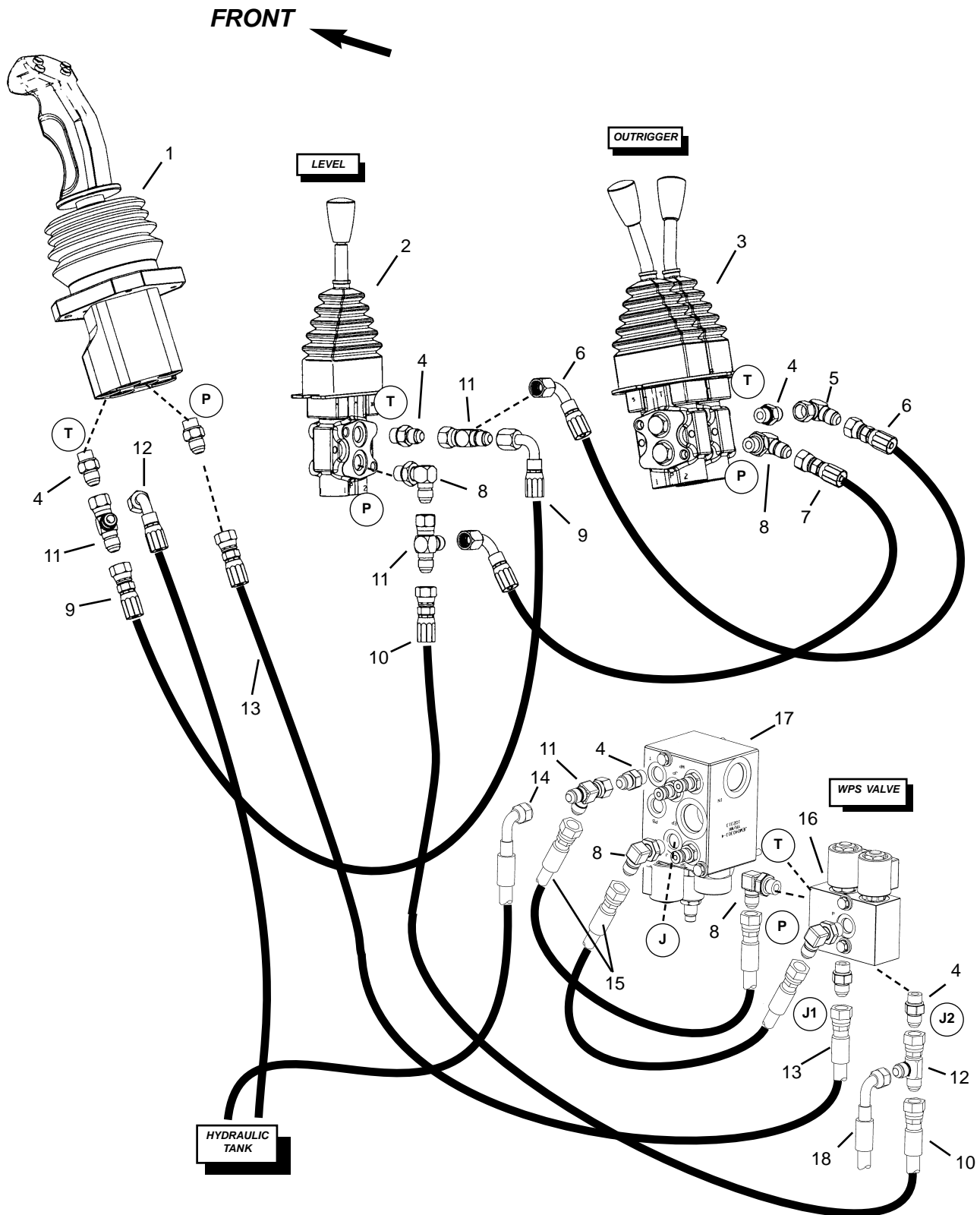
Telescopic Handler

Hydraulics

Tri-Function Controller (w/PWP)

Ref. No.	Part No.	Description	Qty. Req.	Ref. No.	Part No.	Description	Qty. Req.
01	104083	CONTROL, NEXT GENERATION .	1	08	102321	MANIFOLD, WPS	1
02	102435	CONTROLLER	1	09	102786	HOSE, -4 A6/A6 54"	1
03	L444002	ADAP, -6ORM -6JICM STR	AR	10	L63381	HOSE, -4 A6/A6 15"	2
04	L69903	HOSE, -4 A6/DS6 17"	1	11	102946	HOSE, -6 A6/DS6 18"	1
05	L445003	ADAP, -6ORM -6JICM 90°	AR	12	L446049	ADAP, -6JIC SWIVEL	AR
06	102786	HOSE, -4 A6/A6 54"	1	13	102843	HOSE, -4 A6/DS6 35"	1
07	102313	MANIFOLD, JOYSTICK RELIEF.	1	14	103318	HOSE, -4 A6/DS6 52"	1

(attaches to pilot apply manifold)



Telescopic Handler

Hydraulics

Tri-Function Controller (w/PWP and Outriggers)

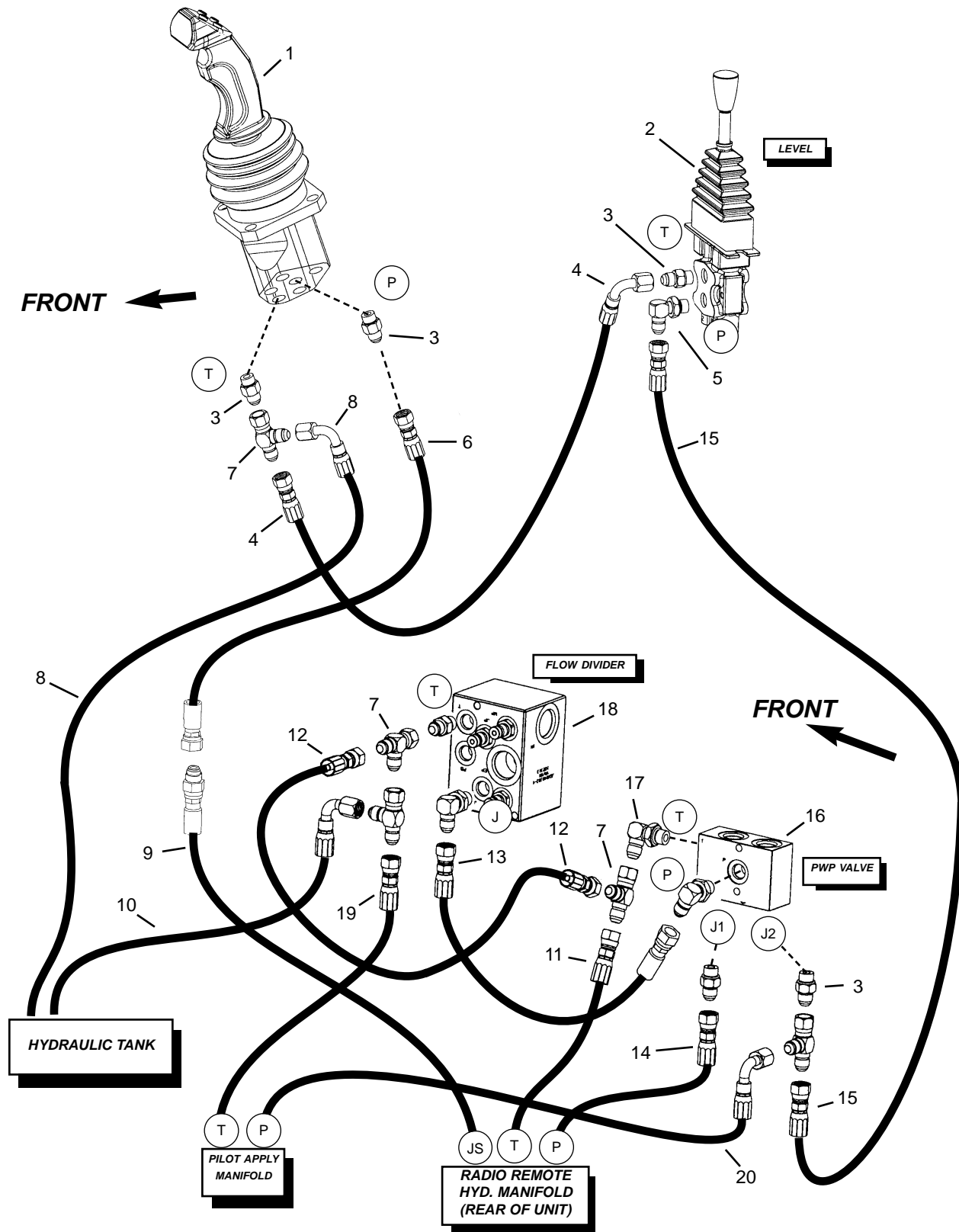
Ref. No.	Part No.	Description	Qty. Req.	Ref. No.	Part No.	Description	Qty. Req.
01	104083	CONTROL, NEXT GENERATION .	1	10	102786	HOSE, -4 A6/A6 54"	1
02	102435	CONTROLLER	1	11	L446049	ADAP, -6JIC SWIVEL	AR
03	102436	CONTROLLER, OUTRIGGERS . . .	1	12	102843	HOSE, -4 A6/DS6 35"	1
04	L444002	ADAP, -6ORM -6JICM STR	AR	13	102786	HOSE, -4 A6/A6 54"	1
05	L60653	ADAP, -6JICM -6JICFS 90°	AR	14	102946	HOSE, -6 A6/DS6 18"	1
06	L69904	HOSE, -4 A6/DS6 20"	1	15	L63381	HOSE, -4 A6/A6 15"	2
07	L69904	HOSE, -4 A6/DS6 20"	1	16	102321	MANIFOLD, WPS	1
08	L445003	ADAP, -6ORM -6JICM 90°	AR	17	102313	MANIFOLD, JOYSTICK RELIEF . . .	1
09	L69903	HOSE, -4 A6/DS6 17"	1	18	103318	HOSE, -4 A6/DS6 52"	1

(attaches to pilot apply manifold)

Hydraulics

Tri-Function Controller (Radio Remote)

RS6-42/RS8-42/44



Telescopic Handler

Hydraulics

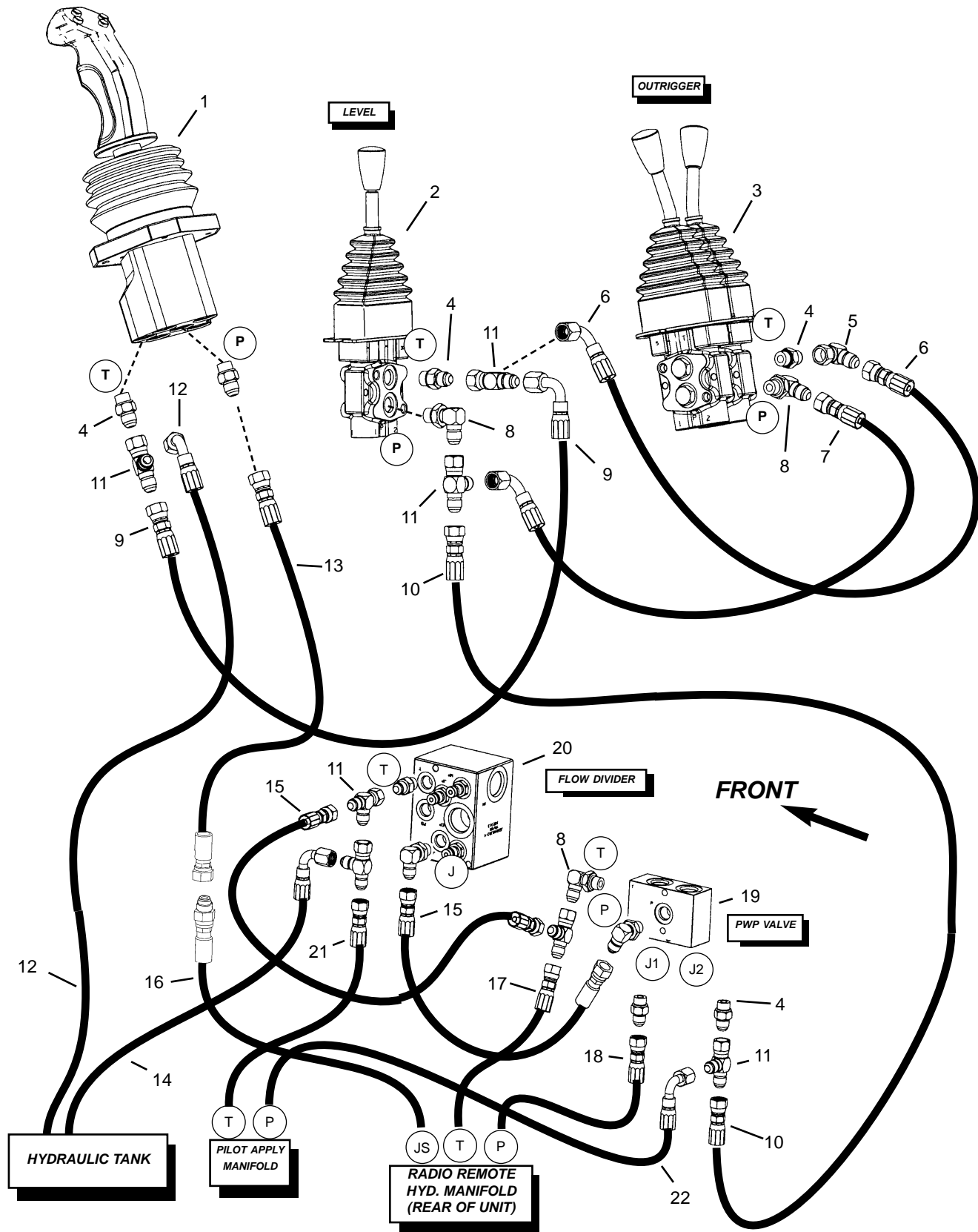
Tri-Function Controller (Radio Remote)

Ref. No.	Part No.	Description	Qty. Req.	Ref. No.	Part No.	Description	Qty. Req.
01	104083	CONTROLLER, TRI-FUNCTION ..	1	11	L69905	HOSE, -6 A6/A6 130"	1
02	102435	CONTROLLER	1	12	L63381	HOSE, -4 A6/A6 15"	1
03	L444002	ADAP, -6ORM -6JICM STR	AR	13	L63381	HOSE, -4 A6/A6 15"	1
04	L69903	HOSE, -4 A6/DS6 17"	1	14	L69906	HOSE, -6 A6/A6 110"	1
05	L445003	ADAP, -6ORM -6JICM 90°	AR	15	102786	HOSE, -4 A6/A6 54"	1
06	102786	HOSE, -4 A6/A6 54"	1	16	102321	MANIFOLD, PWP JOYSTICK	1
07	L446049	ADAP, -6 SWIVEL RUN TEE	AR	17	L445003	ADAP, -6ORM -6JICM 90°	2
08	102843	HOSE, -4 A6/D6 35"	1	18	102313	MANIFOLD, JOYSTICK RELIEF	1
09	103505	HOSE, -4 H6/A6 109"	1	19	102786	HOSE, -4 A6/A6 54"	1
10	102946	HOSE, -6 A6/DS6 18"	1	20	103318	HOSE, -4 A6/DS6 52"	1

HOSE LOCATOR

09	CONNECTS TO "P" HOSE	RADIO REMOTE MANIFOLD "JS" PORT
11	TEE ON PWP/WPS "T" PORT	RADIO REMOTE MANIFOLD "T" PORT
14	PWP/WPS VALVE "J1" PORT	RADIO REMOTE MANIFOLD "P" PORT
19	TEE ON FLOWDIVIDER "T" PORT	PILOT APPLY MANIFOLD "T" PORT
20	TEE ON PWP/WPS "J2" PORT	PILOT APPLY MANIFOLD "P" PORT

Tri-Function Controller (Radio Remote - w/Outriggers)



Telescopic Handler

Hydraulics

Tri-Function Controller (Radio Remote - w/Outriggers)

Ref. No.	Part No.	Description	Qty. Req.	Ref. No.	Part No.	Description	Qty. Req.
01	104083	CONTROLLER, TRI-FUNCTION ..	1	12	102843	HOSE, -4 A6/DS6 35"	1
02	102435	CONTROLLER	1	13	102786	HOSE, -4 A6/A6 54"	1
03	102436	CONTROLLER, OUTRIGGERS ...	1	14	102946	HOSE, -6 A6/DS6 18"	1
04	L444002	ADAP, -6ORM -6JICM STR	AR	15	L63381	HOSE, -4 A6/A6 15"	2
05	L60653	ADAP, -6JICM -6JICFS 90°	AR	16	103505	HOSE, -4 H6/A6 109"	1
06	L69904	HOSE, -4 A6/DS6 20"	1	17	L69905	HOSE, -6 A6/A6 130"	1
07	L69904	HOSE, -4 A6/DS6 20"	1	18	L69906	HOSE, -6 A6/A6 110"	1
08	L445003	ADAP, -6ORM -6JICM 90°	AR	19	102321	MANIFOLD, PWP/WPS	1
09	L69903	HOSE, -4 A6/DS6 17"	1	20	102313	MANIFOLD, JOYSTICK RELIEF ...	1
10	102786	HOSE, -4 A6/A6 54"	1	21	102786	HOSE, -4 A6/A6 54"	1
11	L446049	ADAP, -6JIC SWIVEL	AR	22	103318	HOSE, -4 A6/DS6 52"	1

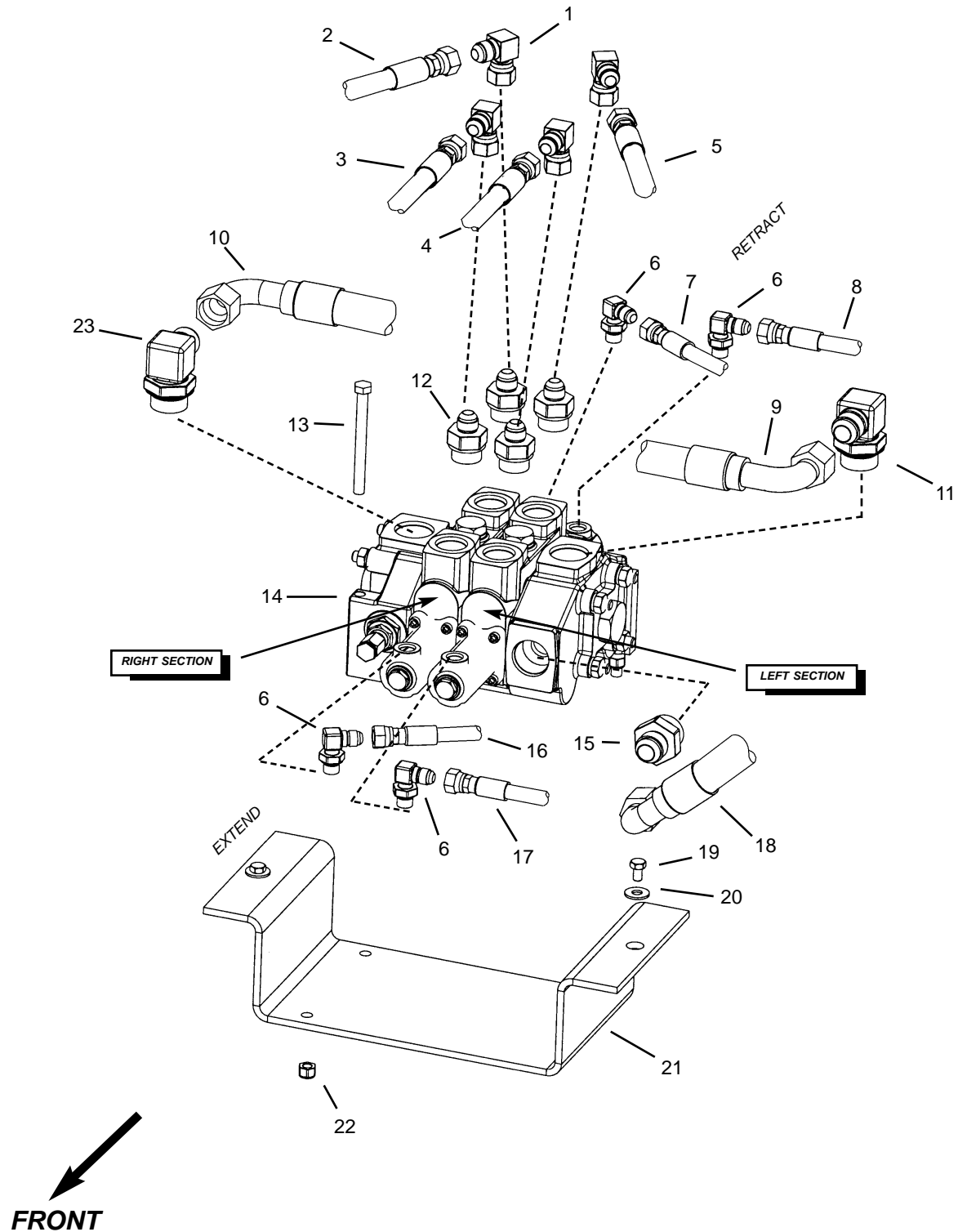
HOSE LOCATOR

16	CONNECTS TO "P" HOSE	RADIO REMOTE MANIFOLD "JS" PORT
17	TEE ON PWP/WPS "T" PORT	RADIO REMOTE MANIFOLD "T" PORT
18	PWP/WPS VALVE "J1" PORT	RADIO REMOTE MANIFOLD "P" PORT
21	TEE ON FLOWDIVIDER "T" PORT	PILOT APPLY MANIFOLD "T" PORT
22	TEE ON PWP/WPS "J2" PORT	PILOT APPLY MANIFOLD "P" PORT

Hydraulics

Outrigger Main Valve and Controller

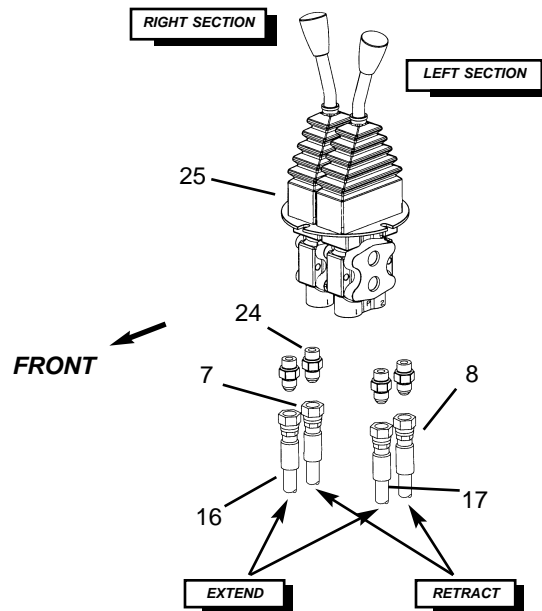
RS6-42/RS8-42/44



Outrigger Main Valve and Controller

Ref. No.	Part No.	Description	Qty. Req.	Ref. No.	Part No.	Description	Qty. Req.
01	L446017	ADAP, -8ORM -8JICFS 90 DEG . . .	4	14	102419	VALVE, OUTRIGGER	1
02	L68807	HOSE, -6 A8/DS8 54"	1	15	L64853	ADAP, -16ORM -12JICM STR.	1
03	L68807	HOSE, -6 A8/DS8 54"	1	16	L68810	HOSE, -4 A6/A6 96"	1
04	L68807	HOSE, -6 A8/DS8 54"	1	17	L68810	HOSE, -4 A6/A6 96"	1
05	L68807	HOSE, -6 A8/DS8 54"	1	18	102813	HOSE, -12 A12/DS12 30"	1
06 ^a	103194	ADAP, 1/4BSP -6JICM	4	19	L50228	5/16"-18X1/2" BOLT	2
	L60653	ADAP, -6ORM -6JICFS SWVL 90. . .	4	20	L50141	5/16" FLAT WASHER	2
07	L69927	HOSE, -4 A6/A6 81"	1	21	102521	MOUNT, OUTRIGGER VALVE	1
08	L69927	HOSE, -4 A6/A6 81"	1	22	L520005	3/8"-16 LOCK NUT	3
09	102815	HOSE, -12 H12/DS12 58"	1	23	L445001	ADAP, -12ORM -12JICM 90	1
10	102814	HOSE, -12 A12/DS12 74"	1	24	L444002	ADAP, -6ORM -6JICM STR.	4
11	L61092	ADAP, -16ORM -12JICM 90 DEG. . .	2	25	102436	CONTROLLER, OUTRIGGERS	1
12	L444003	ADAP, -12ORM -8JICM STR.	4				
13	L50801	3/8"-16X4" BOLT	3				

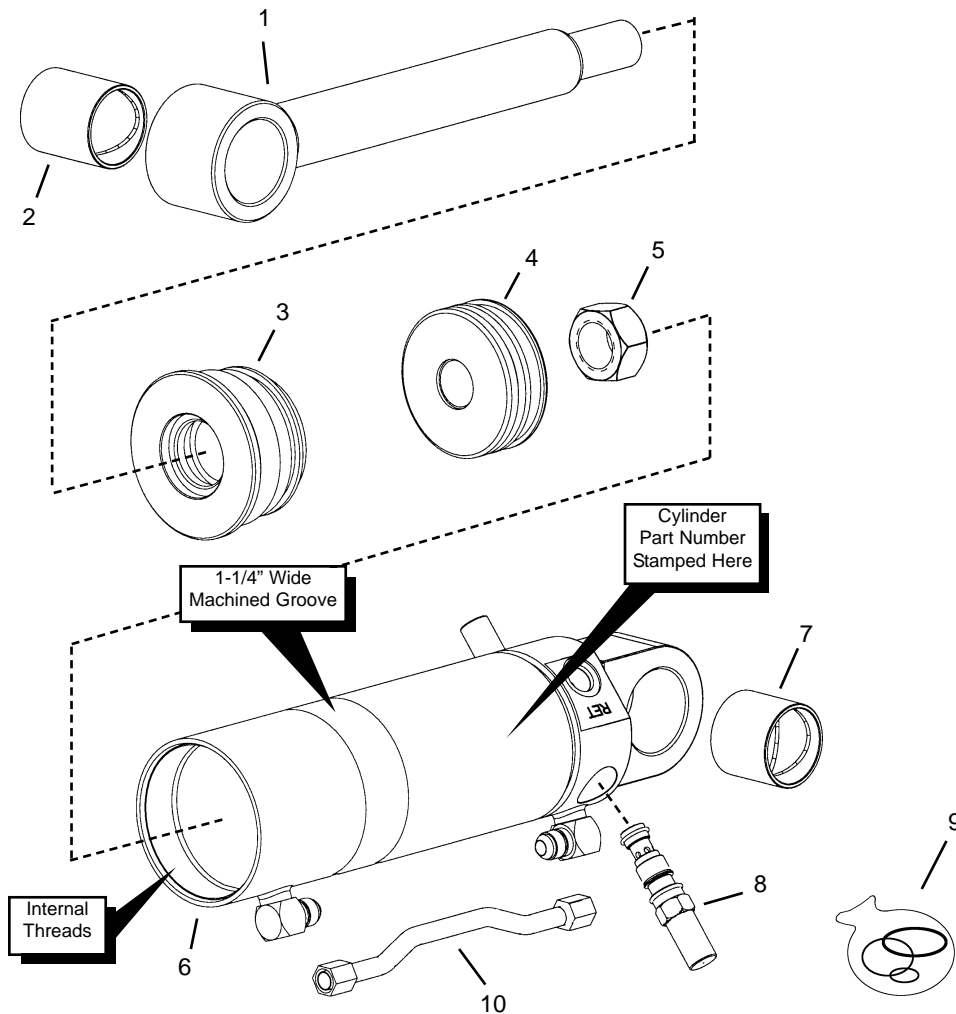
a Note: The illustration on the facing page does not show the parts individually.



HOSE LOCATOR

02	OUTRIGGER VALVE "RIGHTSECTION" (retract)	OUTRIGGER CYLINDER "RIGHT SIDE" (retract)
03	OUTRIGGER VALVE "RIGHTSECTION" (extend)	OUTRIGGER CYLINDER "RIGHT SIDE" (extend)
04	OUTRIGGER VALVE "LEFT SECTION" (extend)	OUTRIGGER CYLINDER "LEFT SIDE" (extend)
05	OUTRIGGER VALVE "LEFT SECTION" (retract)	OUTRIGGER CYLINDER "LEFT SIDE" (retract)
07	OUTRIGGER VALVE "RIGHTSECTION" (retract)	OUTRIGGER CONTROLLER "RIGHT SIDE" (retract)
08	OUTRIGGER VALVE "LEFT SECTION" (retract)	OUTRIGGER CONTROLLER "LEFT SIDE" (retract)
09	OUTRIGGER MAIN VALVE "OUT"	SPLICE TO HOSE FROM MAIN VALVE "IN"
10	OUTRIGGER MAIN VALVE "IN"	FLOWDIVIDER VALVE "EP"
16	OUTRIGGER VALVE "RIGHTSECTION" (extend)	OUTRIGGER CONTROLLER "RIGHT SIDE" (extend)
17	OUTRIGGER VALVE "LEFT SECTION" (extend)	OUTRIGGER CONTROLLER "LEFT SIDE" (extend)
18	OUTRIGGER MAIN VALVE "TANK"	HYDRAULIC TANK "RETURN" (front side of tank)

(Cylinder is stamped with P/N 104379)



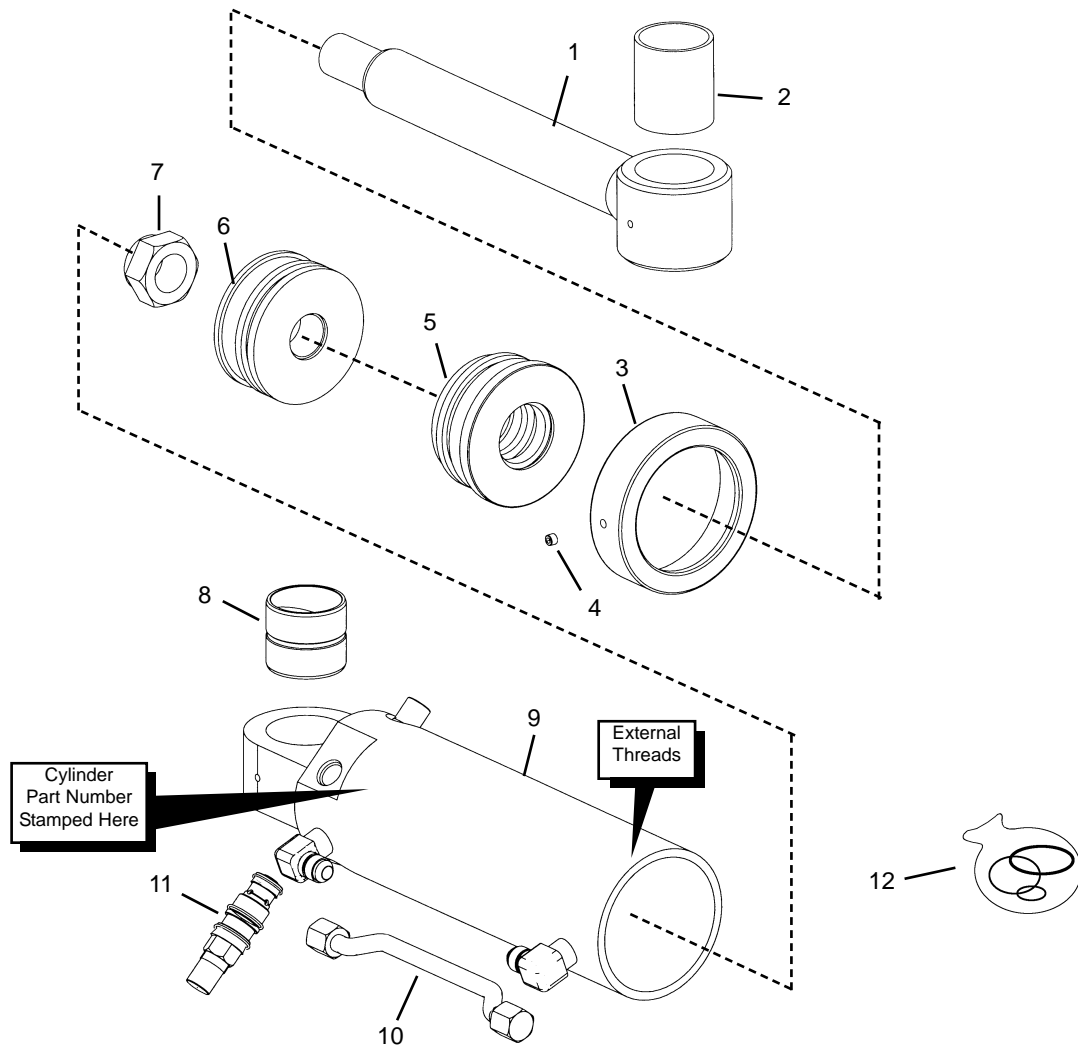
Ref. No.	Part No.	Description	Qty. Req.
00	104379	FRAME LEVEL CYL. (Complete) ..	1
01	104245	ROD (includes item #2).....	1
02	L64367	BUSHING	1
03	105003	GLAND	1
04	104260	PISTON	1
05	104273	LOCKNUT	1
06	NSS	TUBE WELDMENT	1
07	L63016	BUSHING	1

Ref. No.	Part No.	Description	Qty. Req.
08	102878	COUNTER BALANCE VALVE	2
	104820	SEAL KIT (CBV).....	1
09 ^a	105030	CYLINDER SEAL KIT	1
10	104251	MANIFOLD TUBE ASSEMBLY	1

NOTE: Check the part number stamped on the cylinder before ordering parts or a replacement cylinder.

^a Items included with seal kit are not shown.

(Cylinder is stamped with P/N 102876)

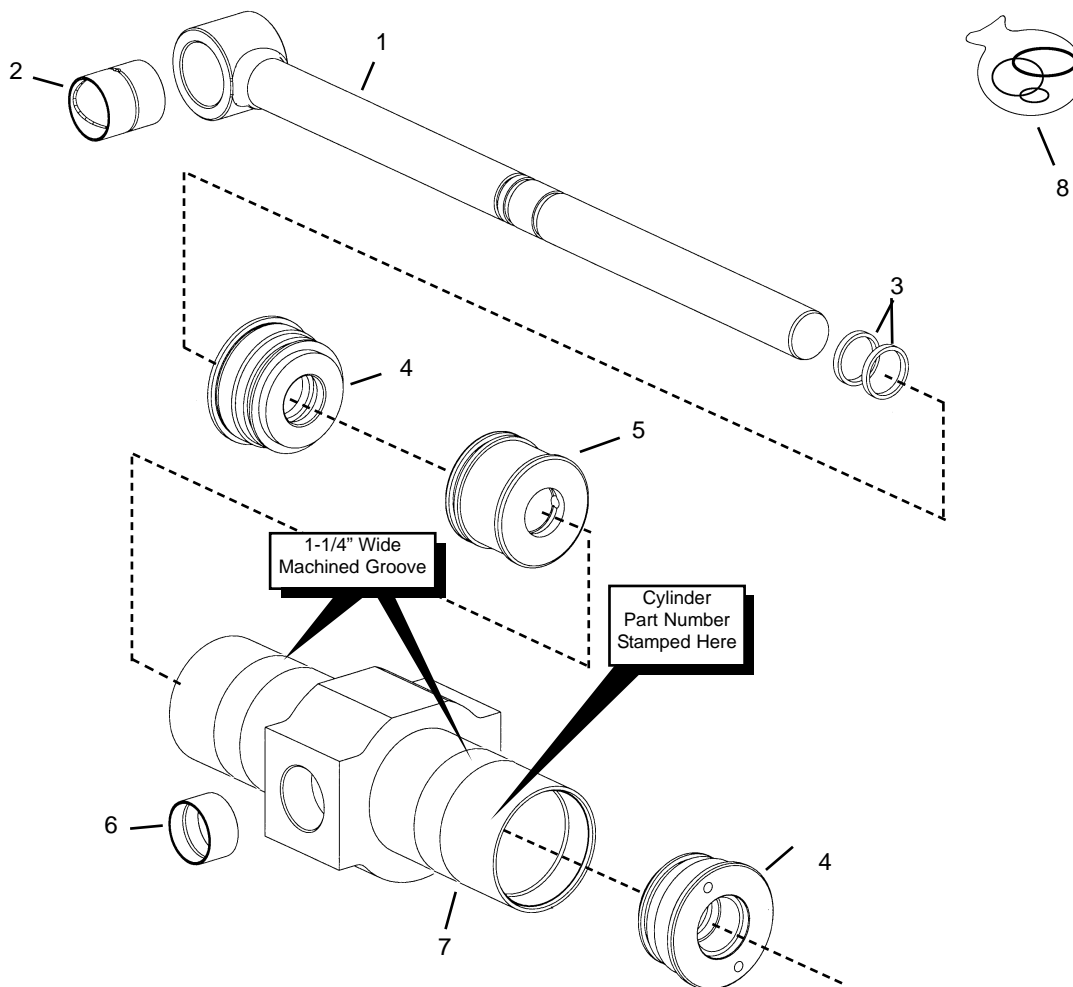


Ref. No.	Part No.	Description	Qty. Req.	Ref. No.	Part No.	Description	Qty. Req.
00	102876	FRAME LEVEL CYL. (Complete) . . .	1	09	NSS	TUBE WELDMENT	1
01	L98503	ROD (includes item #2)	1	10	L98509	OIL LINE TUBE ASSEMBLY	1
02	L63016	BUSHING	1	11	102878	COUNTER BALANCE VALVE	2
03	L98547	HEAD GLAND CAP	1		104820	SEAL KIT (CBV)	1
04	L99857	5/16"-18x1/4" SET SCREW	1	12 ^a	L98506	CYLINDER SEAL KIT	1
05	L98507	HEAD GLAND	1				
06	L98550	PISTON	1				
07	L99405	1-1/4"-12 UNF LOCKNUT	1				
08	L64367	BUSHING 2.0X2.25X2.0"	1				

NOTE: Check the part number stamped on the cylinder before ordering parts or a replacement cylinder.

^a Items included with seal kit are not shown.

(Cylinder is stamped with P/N 104380)



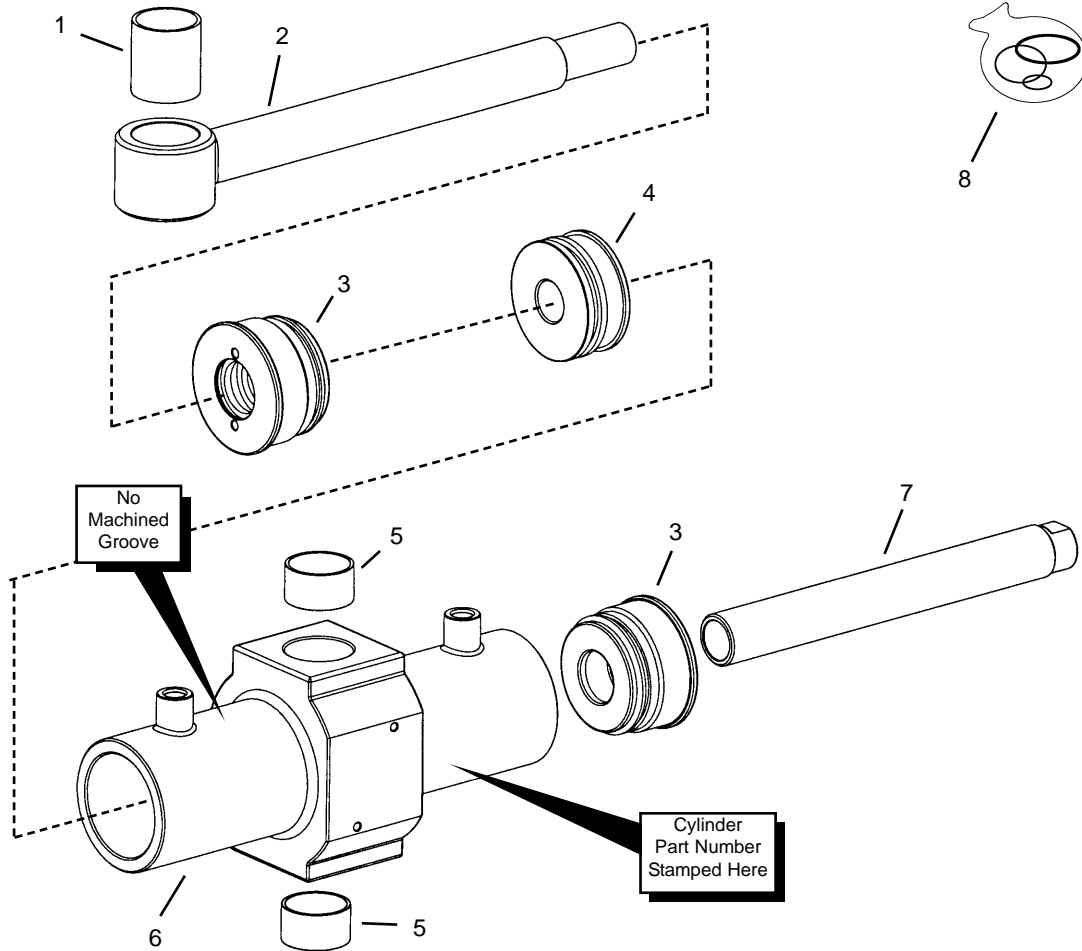
Ref. No.	Part No.	Description	Qty. Req.
00	104380	STABILIZING CYL. (Complete)	1
01	104987	ROD WELDMENT (includes item #2)	1
02	104813	BUSHING	1
03	105025	SQUARE WIRE (retains piston)	2
04	105006	GLAND	2
05	104999	PISTON	1
06	L69774	BUSHING	2
07	NSS	TUBE WELDMENT	1
08 ^a	105028	SEAL KIT (items included in kit are not shown)	1

Ref. No.	Part No.	Description	Qty. Req.
-- ITEMS NOT SHOWN --			
00 ^a	105026	INSTALLATION RING	1
00 ^a	105027	INSTALLATION RING	2

NOTE: Check the part number stamped on the cylinder before ordering parts or a replacement cylinder.

^a When replacing seals, it will be necessary to purchase (1) 105026 installation ring and (2) 105027 installation rings. The installation rings are used to protect the rod seals in the gland during assembly.

(Cylinder is stamped with P/N 102247)



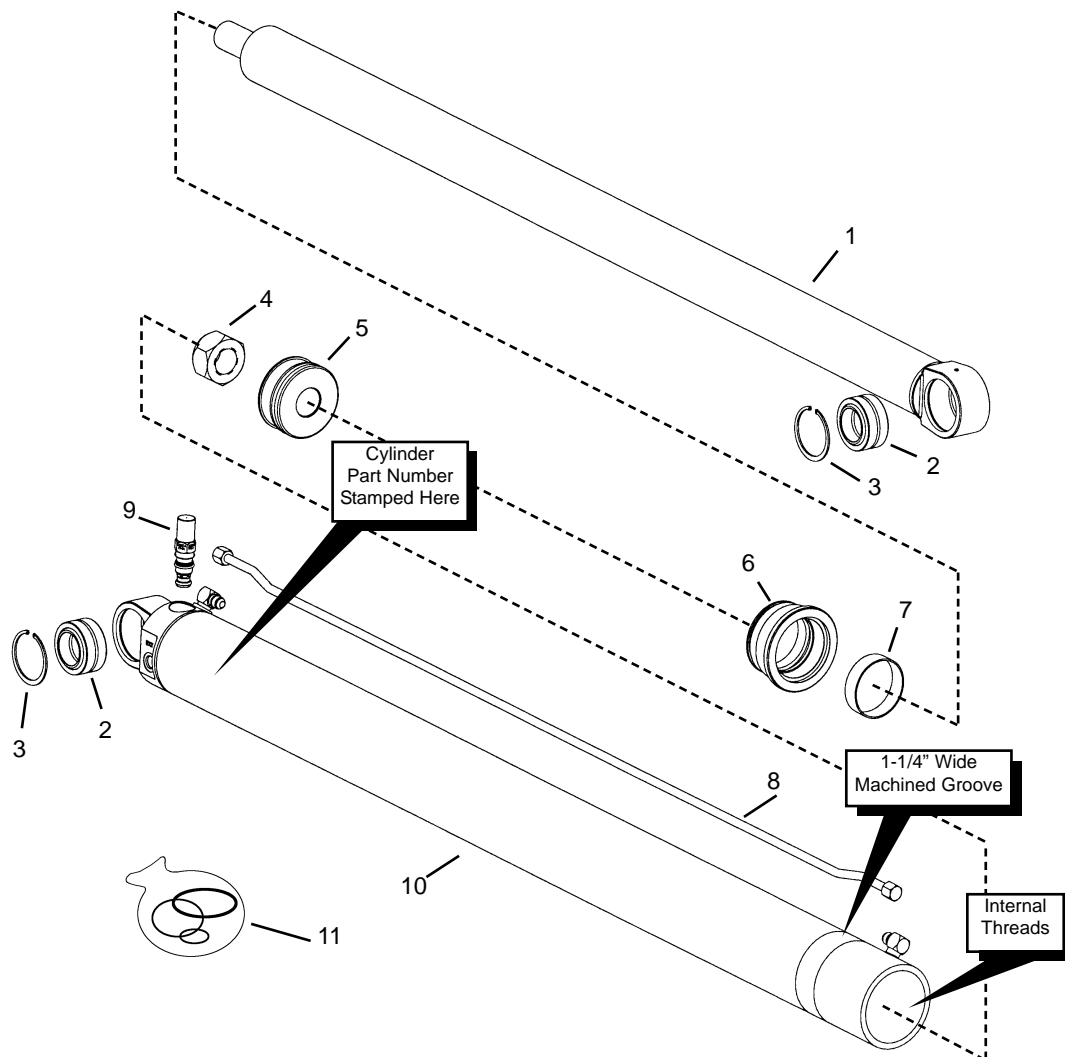
Ref. No.	Part No.	Description	Qty. Req.
00	102247	STABILIZING CYL. (Complete).....	1
01	L69138	BUSHING	1
02	103011	ROD WELDMENT.....	1
		(includes item #1)	
03	L99937	HEAD GLAND.....	2
04	L99938	PISTON	1
05	L69774	BUSHING	2

Ref. No.	Part No.	Description	Qty. Req.
06	NSS	TUBE WELDMENT.....	1
07	L99935	CYLINDER ROD	1
08 ^a	L99942	SEAL KIT.....	1

NOTE: Check the part number stamped on the cylinder before ordering parts or a replacement cylinder.

^a Items included with seal kit are not shown.

(Cylinder is stamped with P/N 104385)

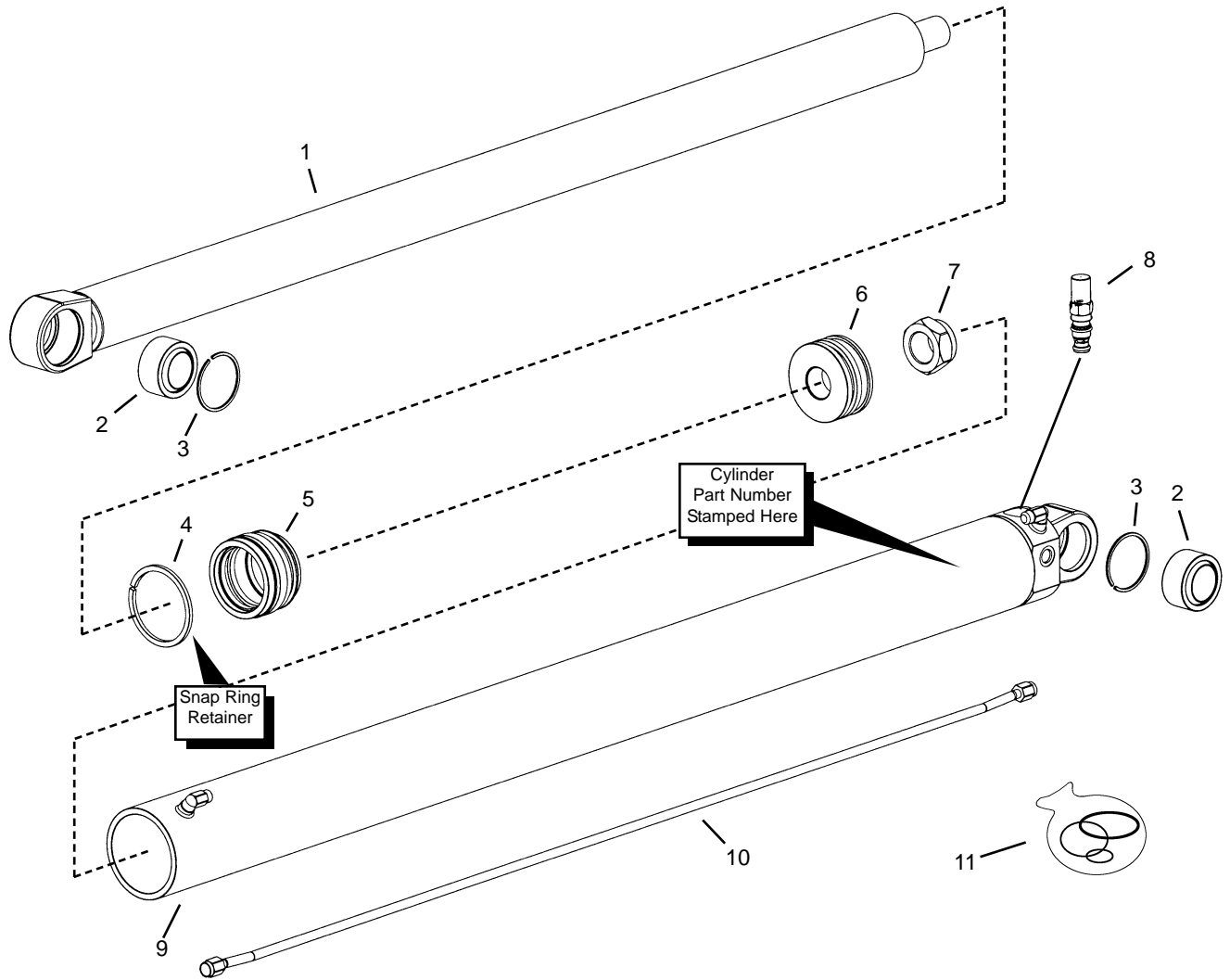


Ref. No.	Part No.	Description	Qty. Req.	Ref. No.	Part No.	Description	Qty. Req.
00	104385	COMPLETE ASSEMBLY	1	09	L48868A	COUNTERBAL. VALVE	1
01	104991	ROD WELDMENT.	1		L96838	CB SEAL KIT	1
02	L97884	SPHERICAL BUSHING	2		L65272	CAP	1
03	105024	RETAINER RING	2	10	NSS	TUBE WELDMENT.	1
04	105036	LOCKNUT	1	11 ^a	105033	CYLINDER SEAL KIT	1
05	105000	PISTON	1				
06	105007	GLAND	1				
07	105010	BUSHING	1				
08	104994	MANIFOLD TUBE	1				

NOTE: Check the part number stamped on the cylinder before ordering parts or a replacement cylinder.

^a Items included with seal kit are not shown.

(Cylinder is stamped with P/N L66821)

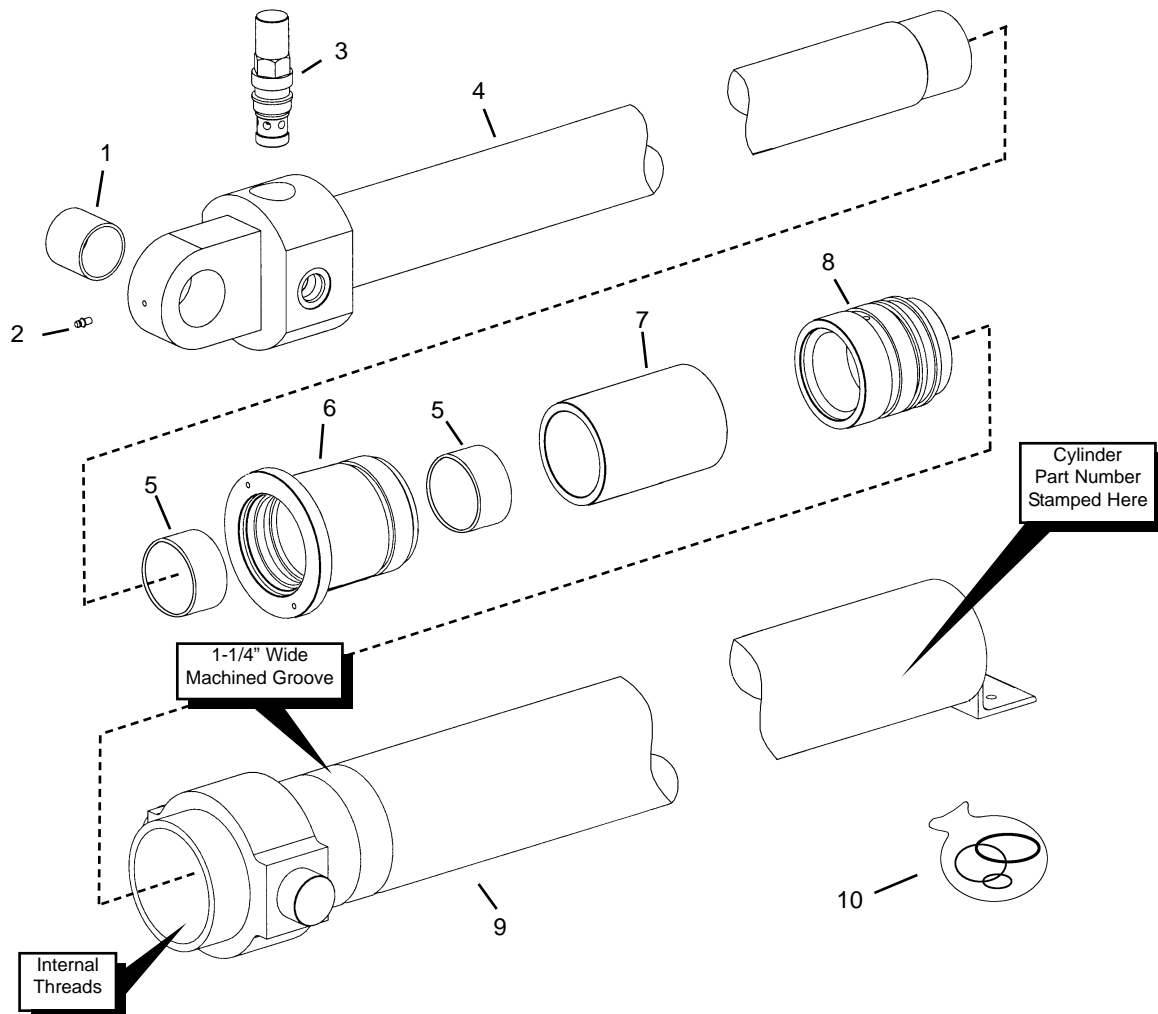


Ref. No.	Part No.	Description	Qty. Req.	Ref. No.	Part No.	Description	Qty. Req.
00	L66821	COMPLETE ASSEMBLY	1	08	L48868A	COUNTERBAL. VALVE	1
01	NSS	ROD WELDMENT.	1		L96838	CB SEAL KIT	1
02	L97884	SPHERICAL BUSHING 1.5 ID	2		L65272	CAP	1
03	L97885	RETAINER RING	2	09	NSS	TUBE WELDMENT.	1
04	L99123	LOCKING INSERT	1	10	L99121	HYD. OIL LINE TUBE	1
05	L99120	END GLAND	1	11 ^a	L99329	CYLINDER SEAL KIT	1
06	L97886	PISTON	1				
07	L99122	LOCKNUT 1-3/4-12	1				

NOTE: Check the part number stamped on the cylinder before ordering parts or a replacement cylinder.

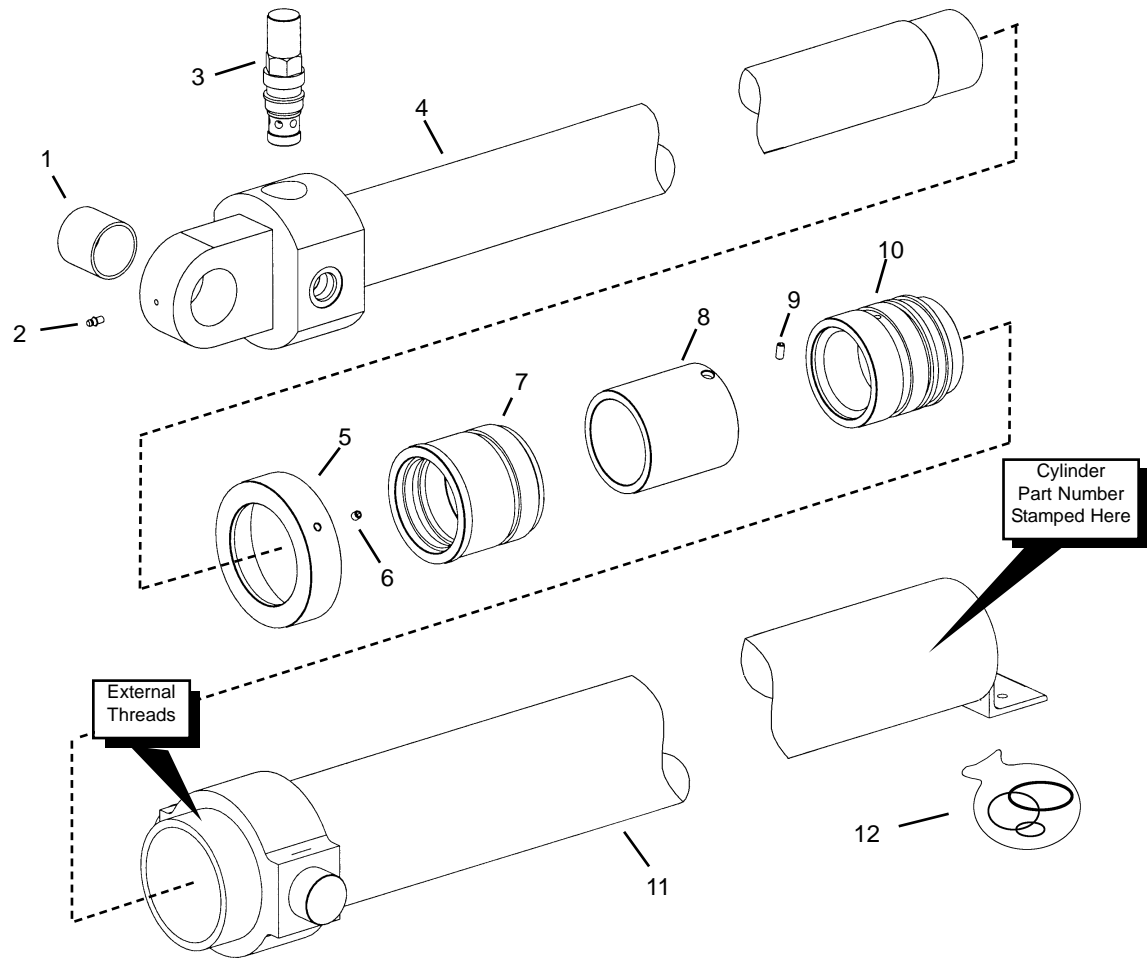
^a Items included with seal kit are not shown.

(Cylinder is stamped with P/N 104383 or 104384)



Ref. No.	Part No.	Description	Qty. Req.	Ref. No.	Part No.	Description	Qty. Req.
00		COMPLETE ASSEMBLY.....	1	09	NSS	CYLINDER TUBE WELDMENT ...	1
	104383	<i>Note a</i>		10		CYLINDER SEAL KIT	1
	104384	<i>Note b</i>			105031	<i>Note a</i>	
01	104270	BUSHING (ROD END)	1		105032	<i>Note b</i>	
02	L10465	1/4"-28 GREASE ZERK.....	1	-- ITEMS NOT SHOWN --			
03	L70274	COUNTER BALANCE VALVE.....	1	(Mounts inside of rod weldment)			
	L99943	CBAL VALVE SEAL KIT.....	1	00 ^a	104995	MANIFOLD TUBE ASSEMBLY	1
04		ROD WELDMENT.....	1	00 ^b	104996	MANIFOLD TUBE ASSEMBLY	1
		<i>(includes item #1)</i>					
	104992	<i>Note a</i>		<i>a</i>		42' Boom	
	104993	<i>Note b</i>		<i>b</i>		44' Boom	
05	105022	DX BUSHING	2	<i>c</i>		Items included in the seal kit are not shown.	
06	105008	GLAND	1	NOTE: Check the part number stamped on the cylinder before ordering parts or a replacement cylinder.			
07	105023	SPACER	1				
08	105001	PISTON.....	1				

(Cylinder is stamped with P/N 102543 or 102544)



Ref. No.	Part No.	Description	Qty. Req.	Ref. No.	Part No.	Description	Qty. Req.
00		COMPLETE ASSEMBLY.....	1	06	L99879	5/16-18X5/16" SET SCREW.....	1
	102543	<i>Note a</i>		07	L99053	HEAD GLAND.....	1
	102544	<i>Note b</i>		08	102890	ROD SPACER.....	1
01	L64367	BUSHING (ROD END).....	1	09	L99875	5/16-18X5/8" SET SCREW.....	1
02	L10465	1/4"-28 GREASE ZERK.....	1	10	L99874	PISTON.....	1
03	L70274	COUNTER BALANCE VALVE.....	1	11	NSS	CYLINDER TUBE WELDMENT ...	1
	L99943	CBAL VALVE SEAL KIT.....	1	12 ^c	L99873	CYLINDER SEAL KIT.....	1
04		ROD WELDMENT.....	1				
		<i>(includes item #1)</i>					
	L99881	<i>Note a</i>		<i>a</i>	42' Boom		
	102889	<i>Note b</i>		<i>b</i>	44' Boom		
05	L500582	HEAD GLAND CAP.....	1	<i>c</i>	Items included in the seal kit are not shown.		

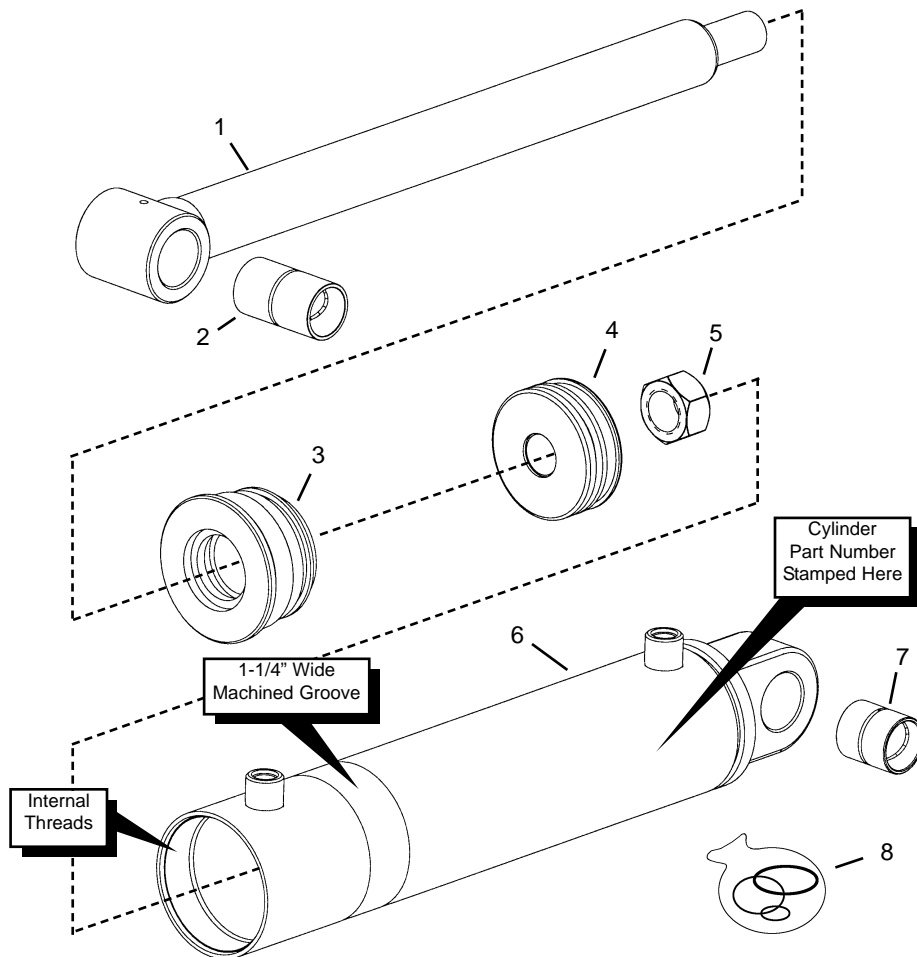
NOTE: Check the part number stamped on the cylinder before ordering parts or a replacement cylinder.

Hydraulic Cylinders

Slave (Compensation)

RS6-42/RS8-42/44

(Cylinder is stamped with P/N 104382)



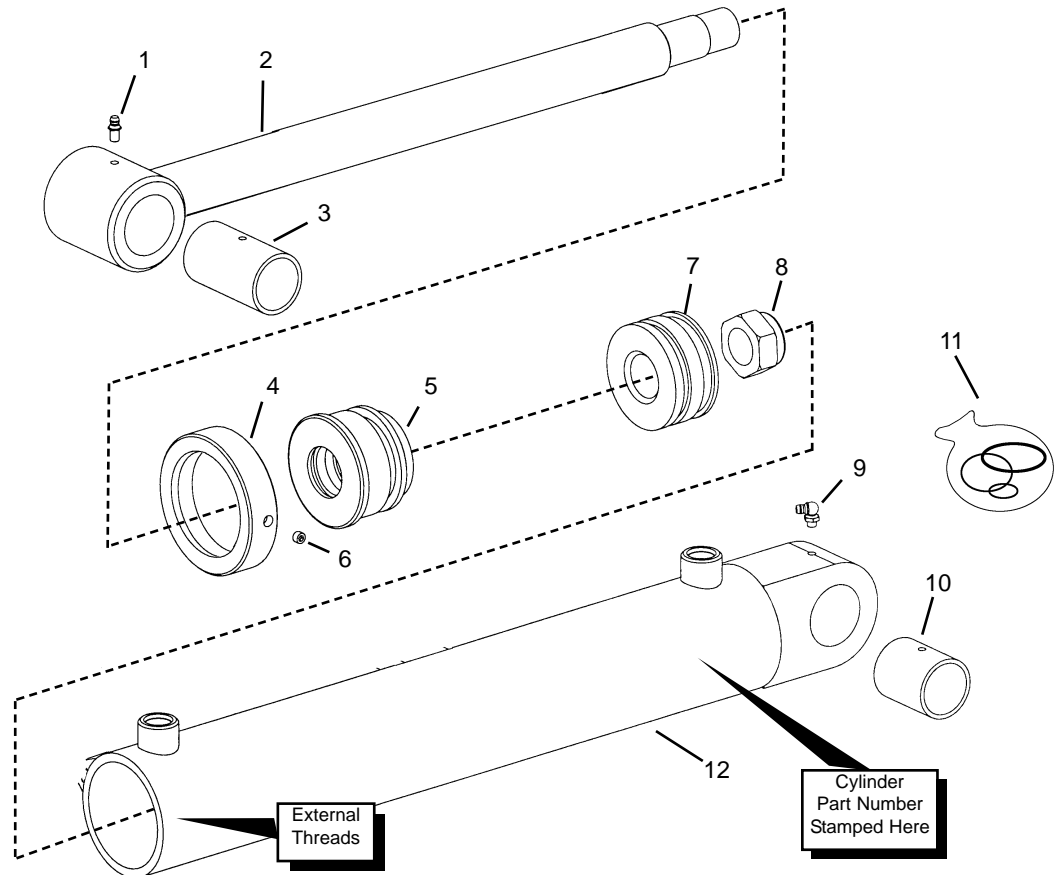
Ref. No.	Part No.	Description	Qty. Req.
00	104382	COMPLETE ASSEMBLY	1
01	104988	ROD WELDMENT (includes item #2)	1
02	L63018	BUSHING (rod end)	1
03	104265	GLAND	1
04	104260	PISTON	1
05	104273	LOCKNUT	1
06	NSS	CYLINDER TUBE WELDMENT	1

Ref. No.	Part No.	Description	Qty. Req.
07	L68003	BUSHING (base end)	1
08 ^a	105029	CYLINDER SEAL KIT	1

NOTE: Check the part number stamped on the cylinder before ordering parts or a replacement cylinder.

^a Items included in the seal kit are not shown.

(Cylinder is stamped with P/N L69149)

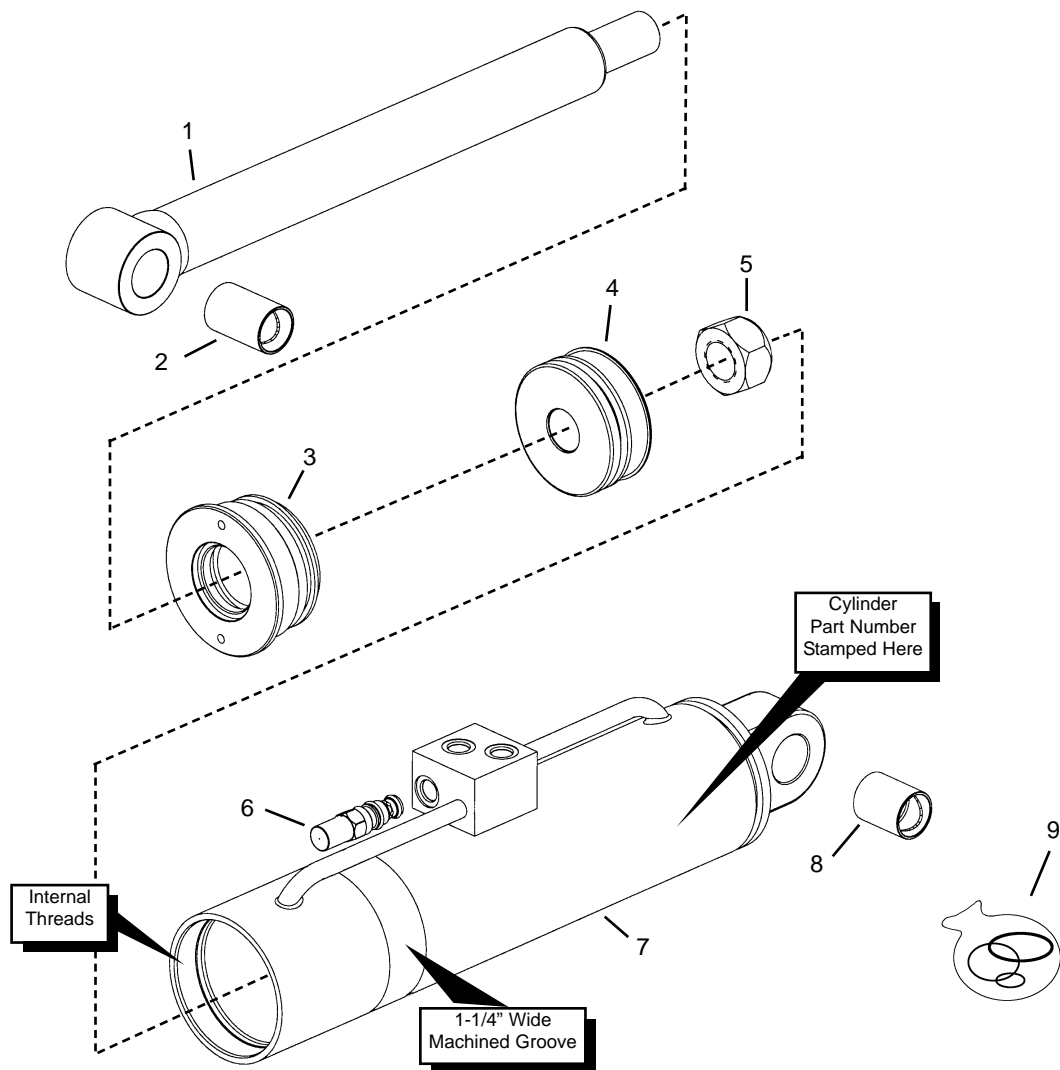


Ref. No.	Part No.	Description	Qty. Req.	Ref. No.	Part No.	Description	Qty. Req.
00	L69149	COMPLETE ASSEMBLY.....	1	08	L500751	1-3/8-12 UNF LOCKNUT.....	1
01	L10465	1/4-28 GREASE ZERK STR.....	1	09	L10057	1/4-28 GREASE ZERK 90 DEG ...	1
02	L99865	ROD WELDMENT.....	1	10	L68003	BUSHING (BASE END).....	1
		(includes item #2)		11 ^a	L99868	CYLINDER SEAL KIT.....	1
03	L63018	BUSHING (ROD END).....	1	12	NSS	CYLINDER TUBE WELDMENT ...	1
04	L98547	HEAD GLAND CAP.....	1				
05	L99866	HEAD GLAND.....	1				
06	L99857	5/16-18X1/4" SET SCREW.....	1				
07	L99864	PISTON.....	1				

NOTE: Check the part number stamped on the cylinder before ordering parts or a replacement cylinder.

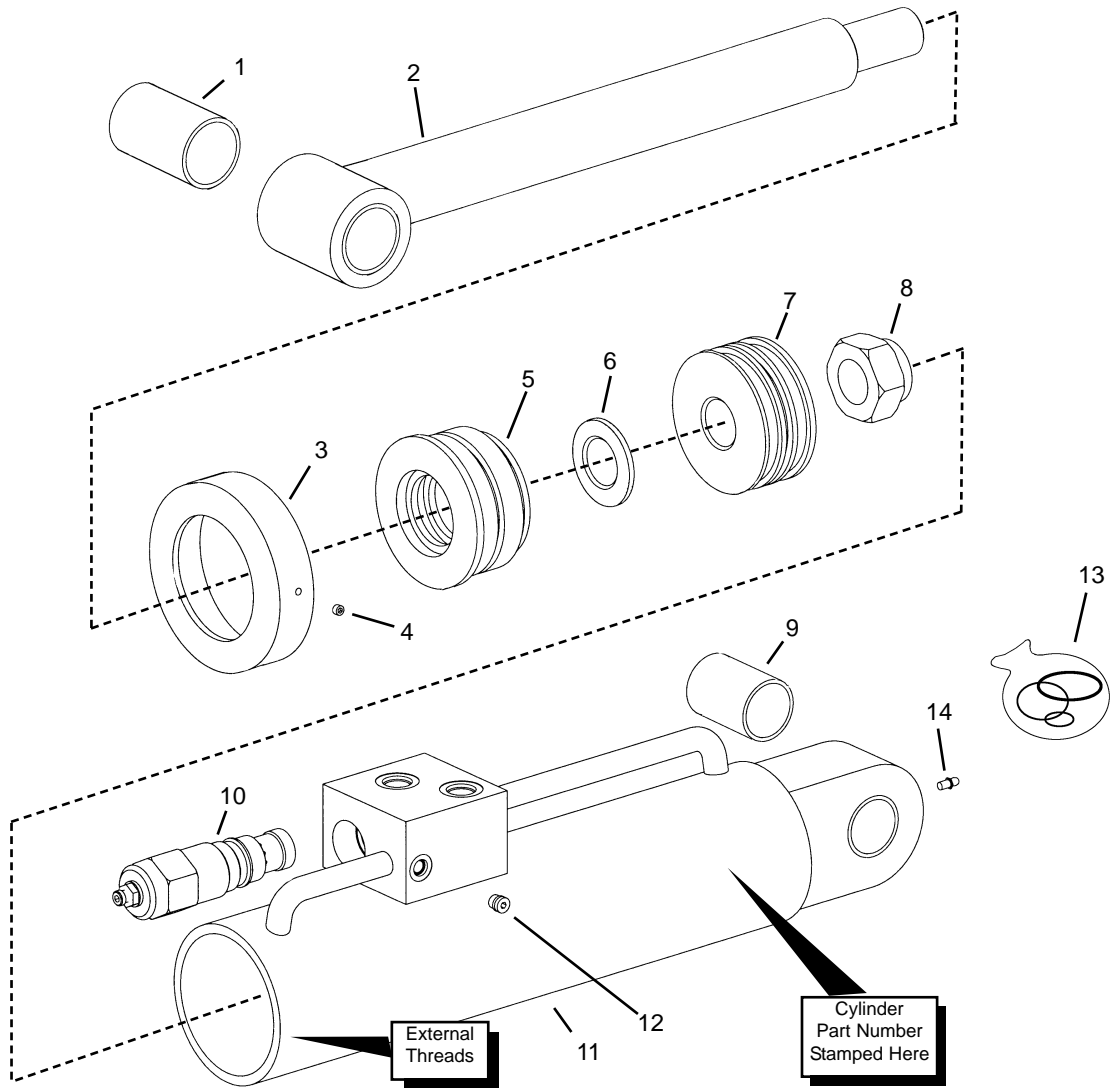
^a Items included in the seal kit are not shown.

(Cylinder is stamped with P/N 104381)



Ref. No.	Part No.	Description	Qty. Req.	Ref. No.	Part No.	Description	Qty. Req.
00	104381	COMPLETE ASSEMBLY.....	1	07	NSS	TUBE WELDMENT.....	1
01	104990	ROD WELDMENT..... <i>(includes item #2)</i>	1	08	L69127	BUSHING (BASE END).....	1
02	L69132	BUSHING.....	1	09 ^a	105034	CYLINDER SEAL KIT.....	1
03	105009	GLAND.....	1	<i>NOTE: Check the part number stamped on the cylinder before ordering parts or a replacement cylinder.</i>			
04	105002	PISTON.....	1	<i>a Items included in the seal kit are not shown.</i>			
05	105036	LOCKNUT.....	1				
06	L70502	COUNTER BALANCE VALVE.....	1				
	L96838	CB VALVE SEAL KIT.....	1				

(Cylinder is stamped with P/N L69144)

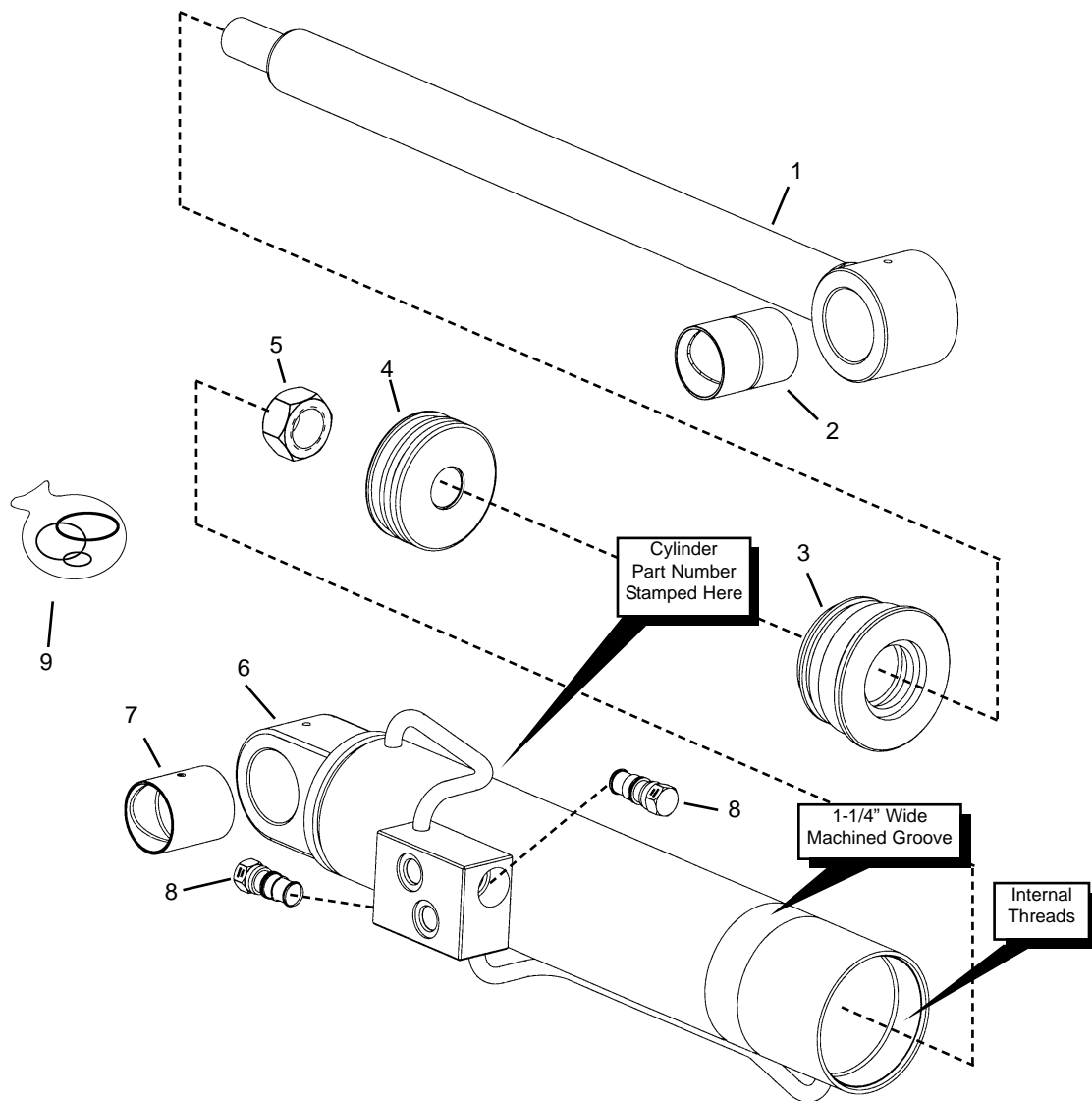


Ref. No.	Part No.	Description	Qty. Req.	Ref. No.	Part No.	Description	Qty. Req.
00	L69144	COMPLETE ASSEMBLY.....	1	10	L70502	COUNTER BALANCE VALVE.....	1
01	L99889	BUSHING	1		L96838	CB VALVE SEAL KIT	1
02	L99886	ROD WELDMENT.....	1	11	NSS	CYLINDER TUBE WELDMENT ...	1
		<i>(includes item #1)</i>		12	L99917	PLUG -4.....	1
03	L99856	HEAD GLAND CAP.....	1	13 ^a	L99883	CYLINDER SEAL KIT	1
04	L99879	5/16"-18X5/16" SET SCREW	1	14	L10465	1/4-28 GREASE ZERK STR	1
05	L99888	HEAD GLAND.....	1				
06	L99852	THRUST WASHER	1				
07	L99885	PISTON.....	1				
08	L99122	1-3/4" UNF LOCKNUT.....	1				
09	L69127	BUSHING (BASE END).....	1				

NOTE: Check the part number stamped on the cylinder before ordering parts or a replacement cylinder.

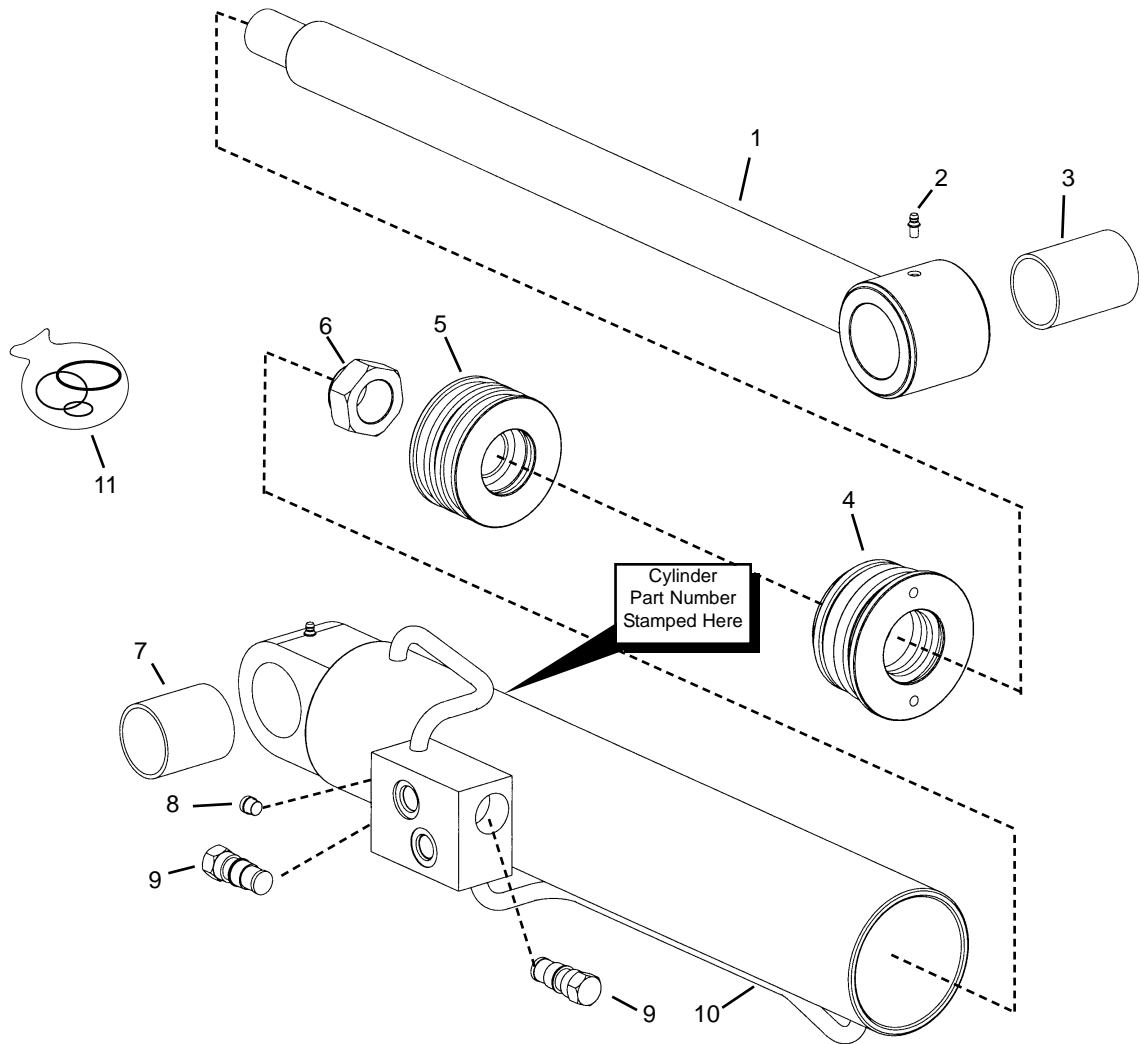
a Items included in the seal kit are not shown.

(Cylinder is stamped with P/N 104386)



Ref. No.	Part No.	Description	Qty. Req.	Ref. No.	Part No.	Description	Qty. Req.
00	104386	COMPLETE ASSEMBLY.....	1	07	104813	BUSHING (BASE END).....	1
01	104989	ROD WELDMENT..... (includes item #2)	1	08	L99987	PO CHECK VALVE.....	2
02	104812	BUSHING (ROD END).....	1	09 ^a	105035	CYLINDER SEAL KIT.....	1
03	104265	GLAND.....	1	<p><i>NOTE: Check the part number stamped on the cylinder before ordering parts or a replacement cylinder.</i></p> <p><i>a Items included in the seal kit are not shown.</i></p>			
04	104260	PISTON.....	1				
05	104273	LOCKNUT.....	1				
06	NSS	CYLINDER TUBE WELDMENT ...	1				

(Cylinder is stamped with P/N L70616)

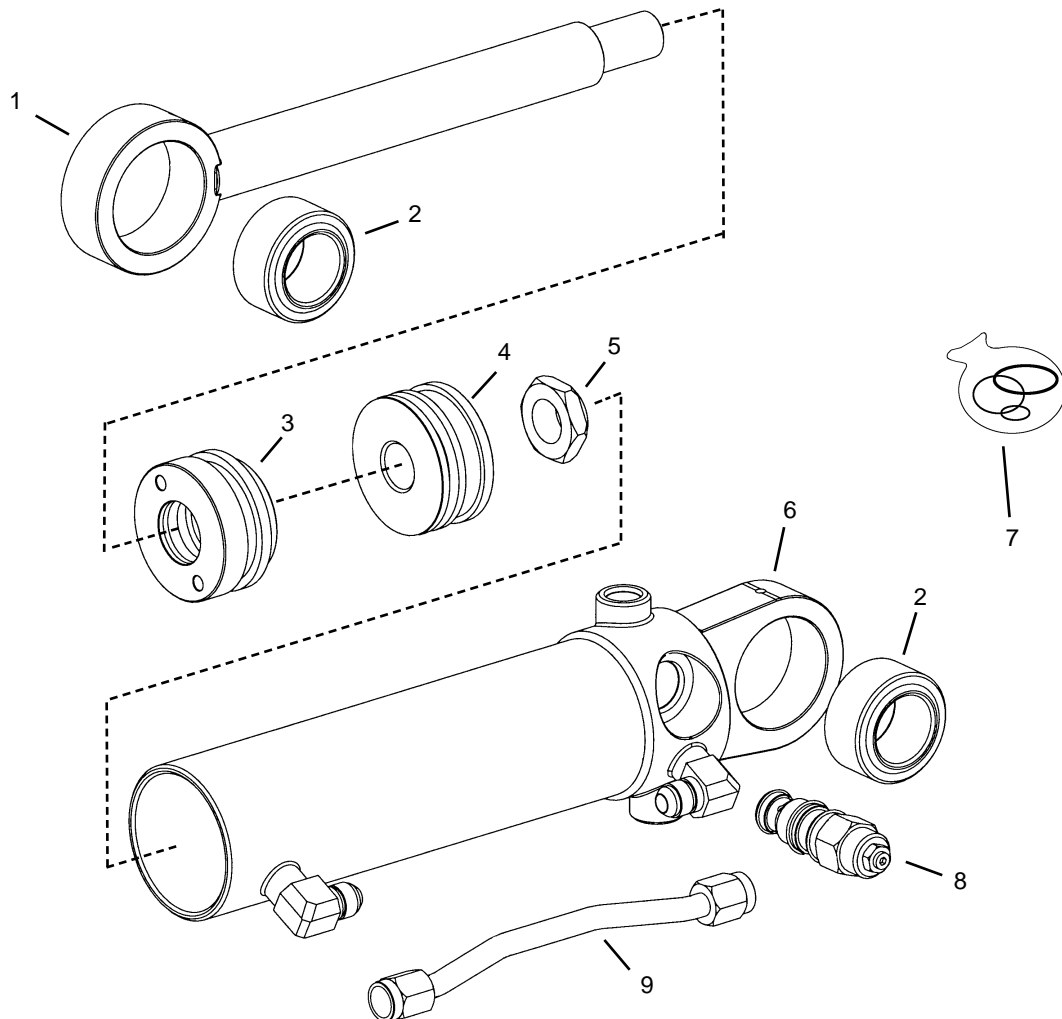


Ref. No.	Part No.	Description	Qty. Req.	Ref. No.	Part No.	Description	Qty. Req.
00	L70616	COMPLETE ASSEMBLY.....	1	08	L99917	PLUG, -40RM	1
01	L99989	ROD WELDMENT..... (includes item #3)	1	09	L99987	PO CHECK VALVE	2
02	L10465	1/4"-28 GREASE ZERK.....	2	10	NSS	CYLINDER TUBE WELDMENT ...	1
03	L70618	BUSHING (ROD END)	1	11 ^a	L99988	CYLINDER SEAL KIT	1
04	L99991	HEAD GLAND	1	<i>NOTE: Check the part number stamped on the cylinder before ordering parts or a replacement cylinder.</i>			
05	L99864	PISTON	1	<i>a Items included in the seal kit are not shown.</i>			
06	L500751	1-3/8"-12 UNF LOCKNUT	1				
07	L69138	BUSHING (BASE END).....	1				

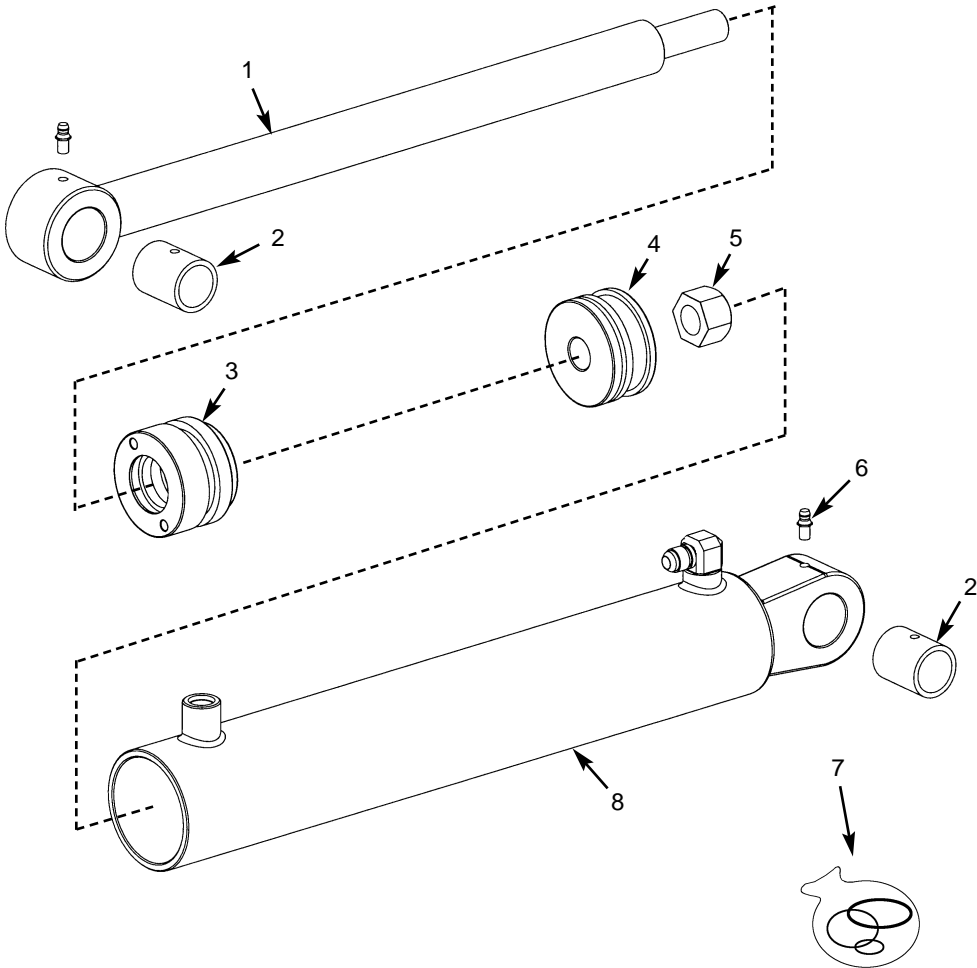
Hydraulic Cylinders

Rotating Carriage

RS6-42/RS8-42/44

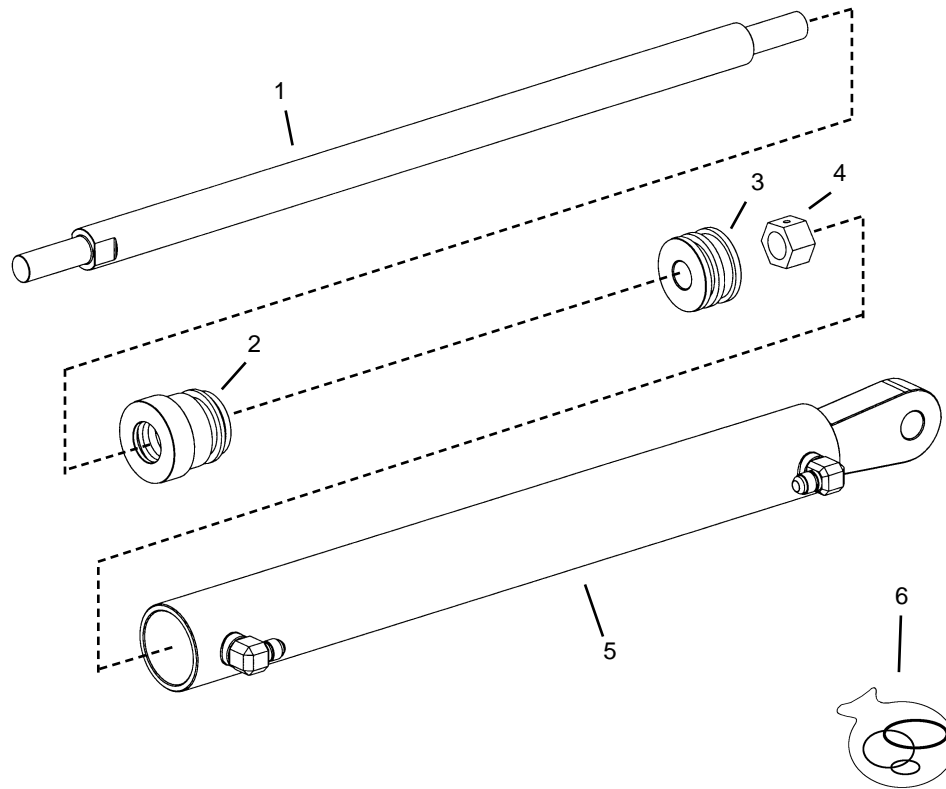


Ref. No.	Part No.	Description	Qty. Req.	Ref. No.	Part No.	Description	Qty. Req.
00	L70655	COMPLETE ASSEMBLY.....	1	08	L48868A	CB VALVE (3000 psi)	2
01	L500242	ROD WELDMENT.....	1		L96838	CB VALVE SEAL KIT	1
02	L64122	SPHERICAL BEARING.....	2	09	L500241	HYDRAULIC LINE ASSEMBLY....	1
03	L99074	HEAD GLAND.....	1				
04	L97839	PISTON.....	1	a		<i>Items included in the seal kit are not shown.</i>	
05	080313	1"-14 UNS THIN COL. LOCKNUT .	1				
06	NSS	TUBE WELDMENT.....	1				
07 ^a	L97769	SEAL KIT.....	1				



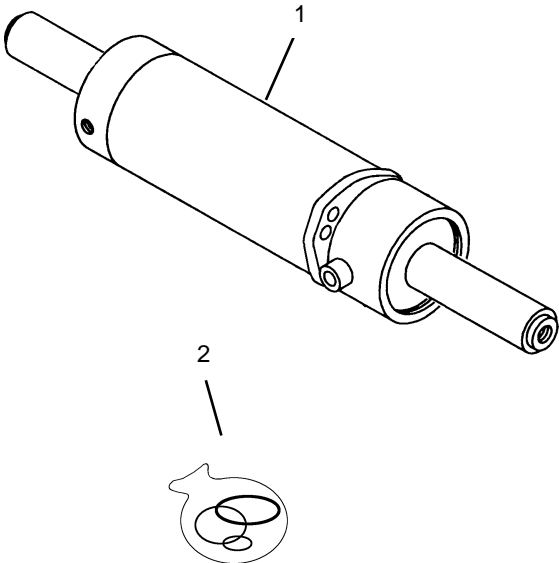
Ref. No.	Part No.	Description	Qty. Req.	Ref. No.	Part No.	Description	Qty. Req.
00	L63970	COMPLETE ASSEMBLY.....	1	06	L10465	1/4"-28 GREASE ZERK.....	2
01	L500364	ROD WELDMENT.....	1	07 ^a	L99944	SEAL KIT.....	1
02	L63593	BUSHING.....	2	08	NSS	TUBE WELDMENT.....	1
03	L500365	HEAD GLAND.....	1				
04	L98662	PISTON.....	1				
05	080319	3/4"-16 LOCKNUT.....	1				

^a Items included in the seal kit are not shown.



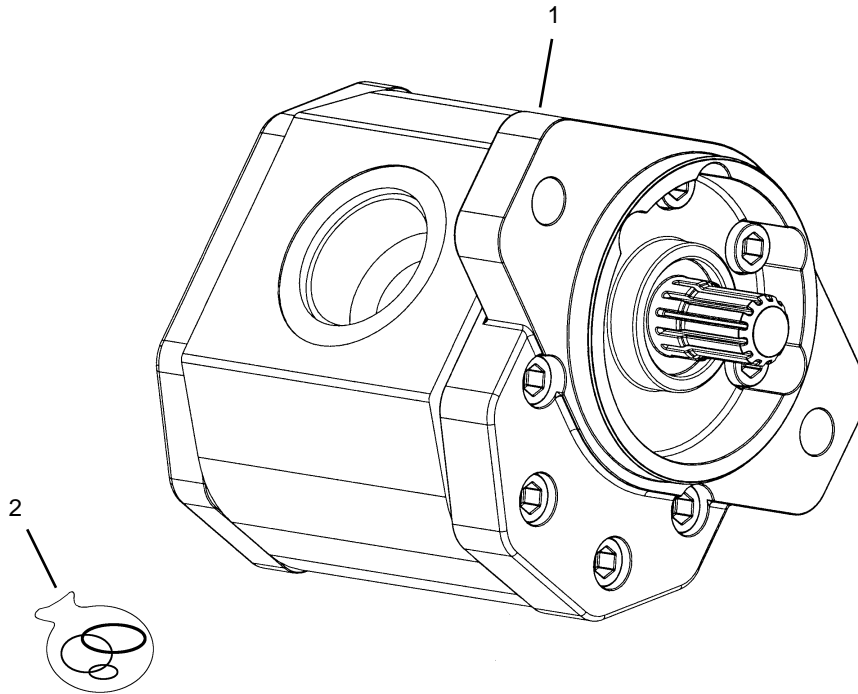
Ref. No.	Part No.	Description	Qty. Req.	Ref. No.	Part No.	Description	Qty. Req.
00	L68337	COMPLETE ASSEMBLY		05	NSS	TUBE WELDMENT	1
01	L500763	ROD WELDMENT	1	06 ^a	L500370	SEAL KIT	1
02	L500762	HEAD GLAND	1				
03	L500761	PISTON	1				
04	080319	3/4"-16 UNF LOCKNUT	1				

a Items included in the seal kit are not shown.

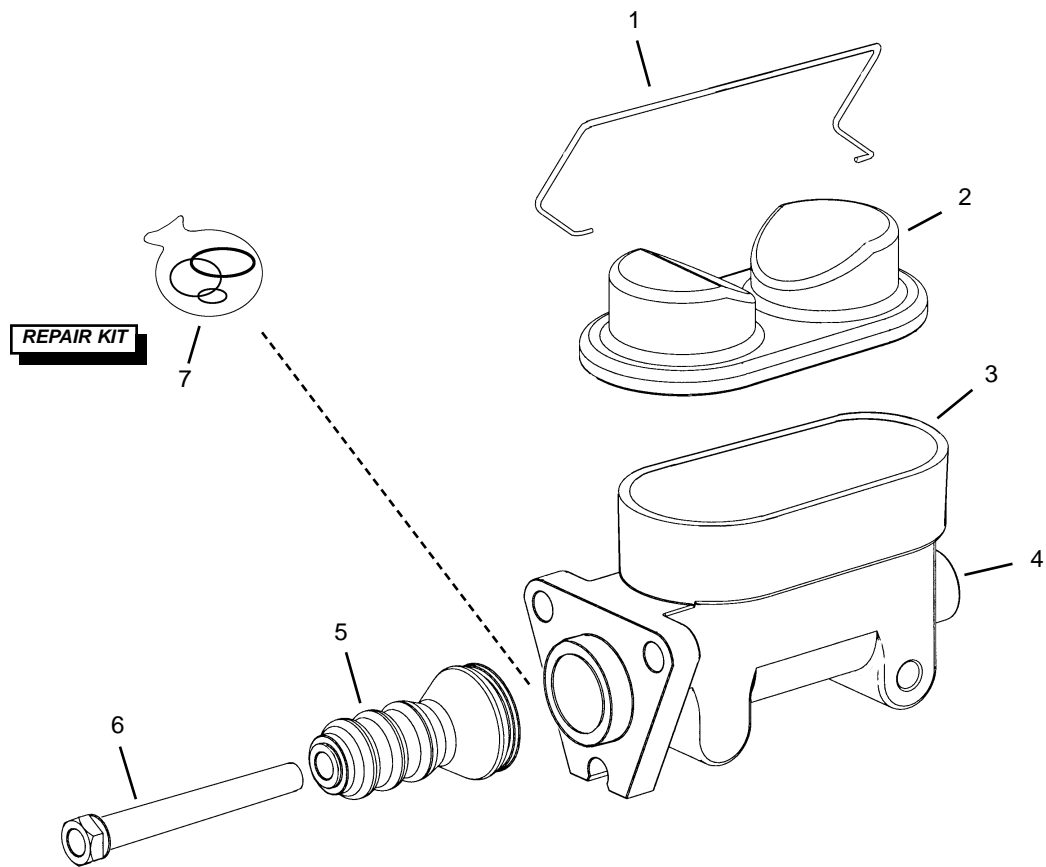


Ref. No.	Part No.	Description	Qty. Req.	Ref. No.	Part No.	Description	Qty. Req.
01	102577	STEER CYLINDER	1	02	103118	SEAL KIT	1
	L500539	STEER CYLINDER BOLT	4			(Items included are not shown.)	

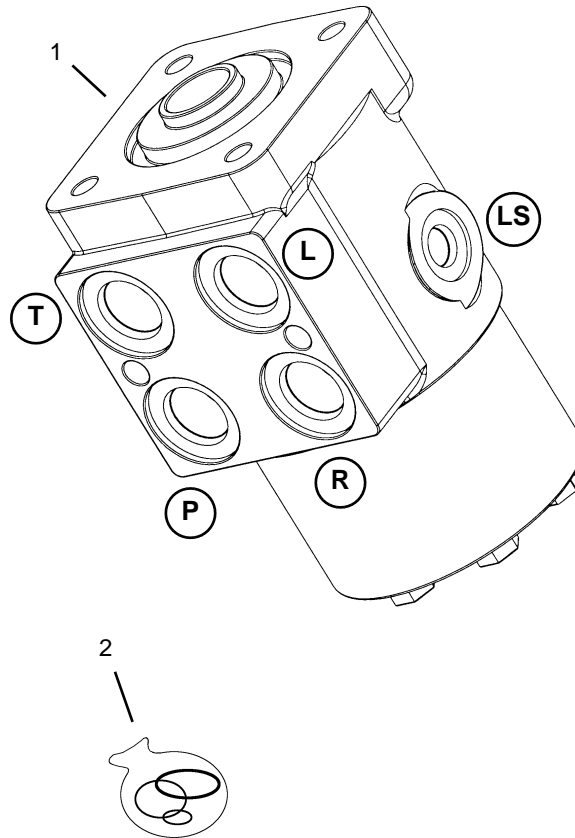
NOTE: Quantities are per axle.



Ref. No.	Part No.	Description	Qty. Req.	Ref. No.	Part No.	Description	Qty. Req.
01	102498	HYDRAULIC PUMP	1	a		<i>Individual seals are not shown.</i>	
	L46865	GASKET, PUMP	1				
		(between pump and transmission)					
02 ^a	103018	SEAL KIT	1			NOTE: Field service is limited to replacement of seals.	

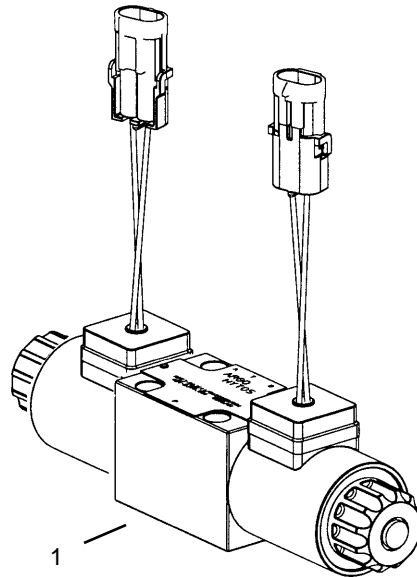


Ref. No.	Part No.	Description	Qty. Req.	Ref. No.	Part No.	Description	Qty. Req.
00	L63363	BRAKE VALVE ASY. (Complete)		06	NSS	PUSH ROD	1
		(Two brake valves are required.)		07 ^a	L98537	REPAIR KIT.	1
01	NSS	BAIL WIRE.	1			(Items included are not shown.)	
02	NSS	COVER	1				
	L98534	DIAPHRAGM GASKET	1	a		Repair kit includes seals, cups, return spring,	
03	NSS	BODY				second arm piston, and snap ring. Piston is not	
04	NSS	TUBE SEAT (not shown)	1			included or sold separately.	
05	L98536	RUBBER BOOT	1				



Ref. No.	Part No.	Description	Qty. Req.	Ref. No.	Part No.	Description	Qty. Req.
01	101880	STEERING CONTROL UNIT	1				
02	L500968	SEAL KIT	1				
<i>(Items included are not shown.)</i>							

NOTE: Field service is limited to replacement of seals.

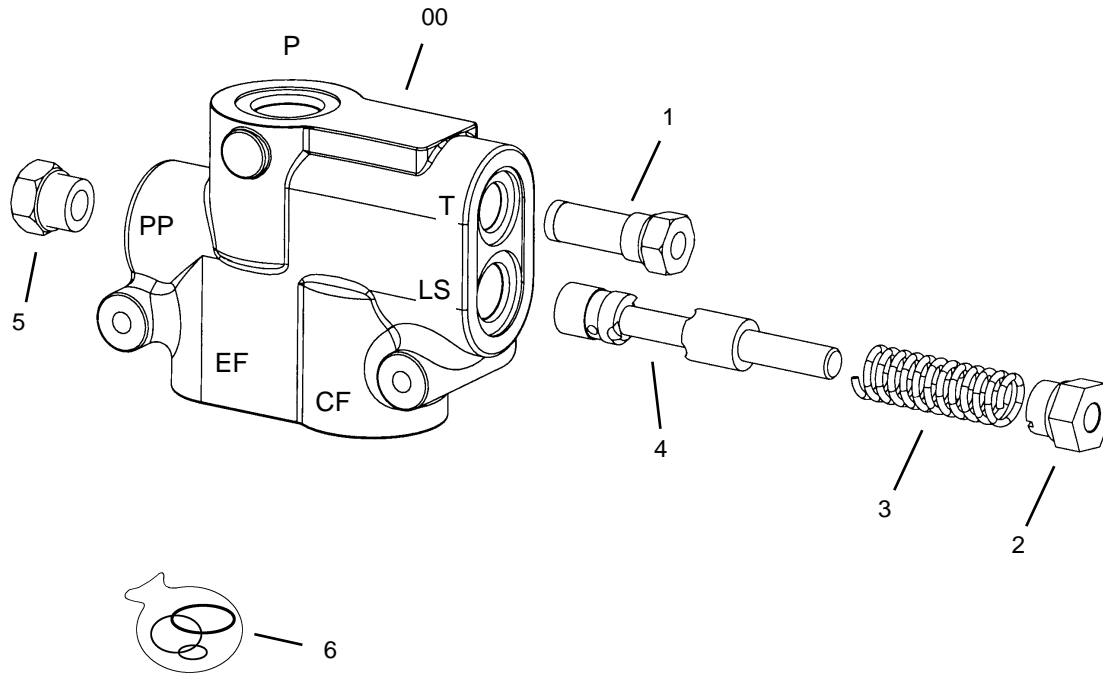


Ref. No.	Part No.	Description	Qty. Req.	Ref. No.	Part No.	Description	Qty. Req.
00	L69747	STEER SELECT VALVE, COMPL. . 1 (includes items 1 and 2)	1	00	L68711	-- ITEMS NOT SHOWN -- WIRE HARNESS 2 (connects wire leads to frame wiring)	2
01	210018	WEATHER PAK VALVE 1	1				
02	NSS	MANIFOLD 1	1				

Hydraulic Components

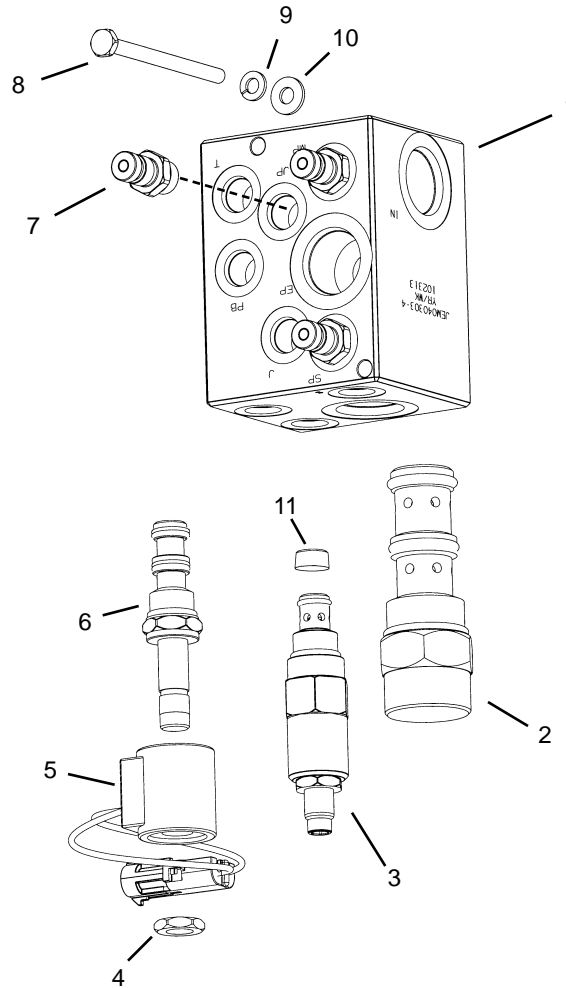
Priority Flow Divider Valve

RS6-42/RS8-42/44



Ref. No.	Part No.	Description	Qty. Req.	Ref. No.	Part No.	Description	Qty. Req.
00	104132	COMPLETE ASSEMBLY.	1	04	NSS	SPOOL	1
01	104133	RELIEF CARTRIDGE ASY.	1	05	NSS	PLUG	1
02	NSS	PLUG ASY	1	06 ^a	L97655	SEAL KIT	1
03	NSS	SPRING	1				

^a Items in seal kit are not shown.

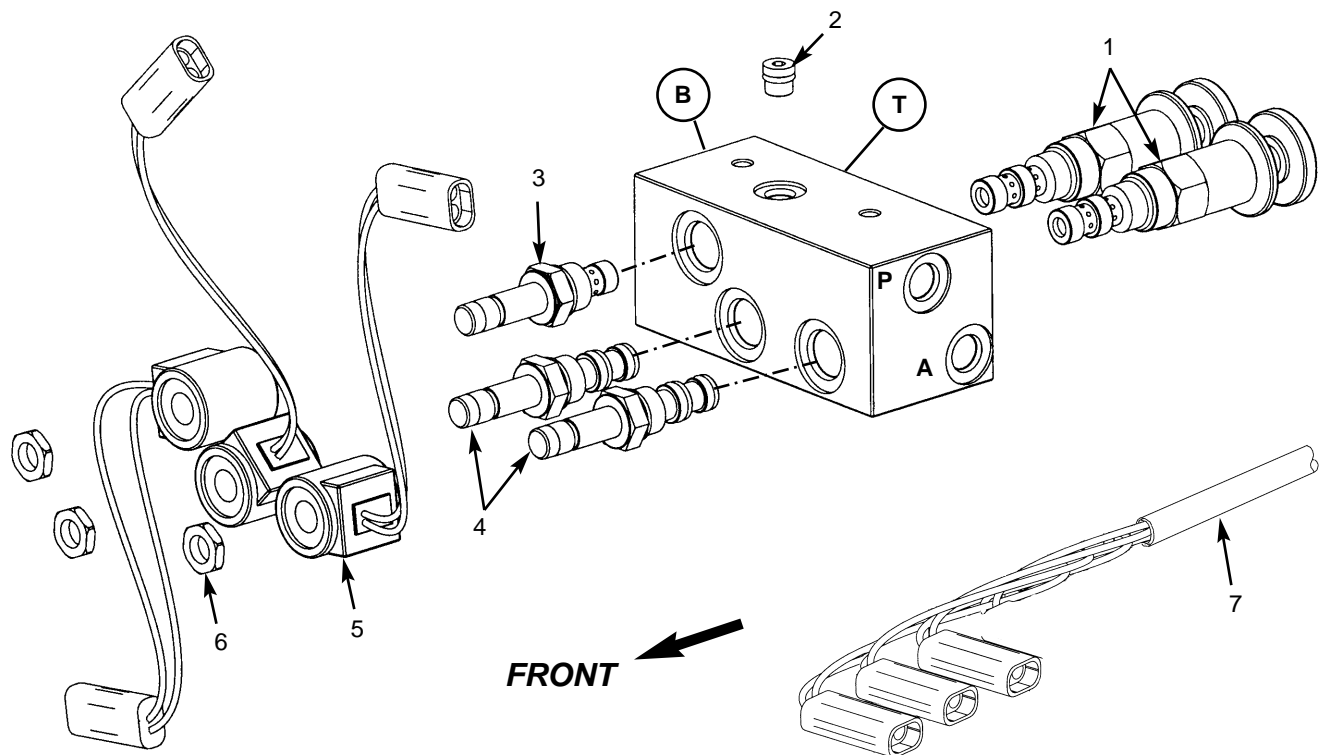


Ref. No.	Part No.	Description	Qty. Req.	Ref. No.	Part No.	Description	Qty. Req.
01	102313	MANIFOLD, FLOW DIVIDER1 <i>(includes items 1-7)</i>	1	08	L50217	1/4"-20X3-1/2" BOLT2	2
02	103017	PILOTED SPOOL LOGIC ELEM.1	1	09	L50139	1/4" LOCK WASHER2	2
03	L99927	RELIEF VALVE1	1	10	L50137	1/4" FLAT WASHER2	2
	L99925	SEAL KIT1	1	11	105087	SCREEN1	1
04	NSS	NUT, SOLENOID VALVE1 <i>(included with item 5)</i>	1	<i>NOTE: Items included in seal kits are not shown.</i>			
05	L99908	12 VDC WEATHER PACK COIL1 <i>(includes item 4)</i>	1				
06	L99910	SOLENOID VALVE1	1				
	L99911	SEAL KIT1	1				
07	P471997	TEST PORT3	3				
	L62840	CAP, DUST COVER <i>(not shown)</i>3	3				
	L62933	FEMALE COUPLER <i>(optional)</i>					

Hydraulic Components

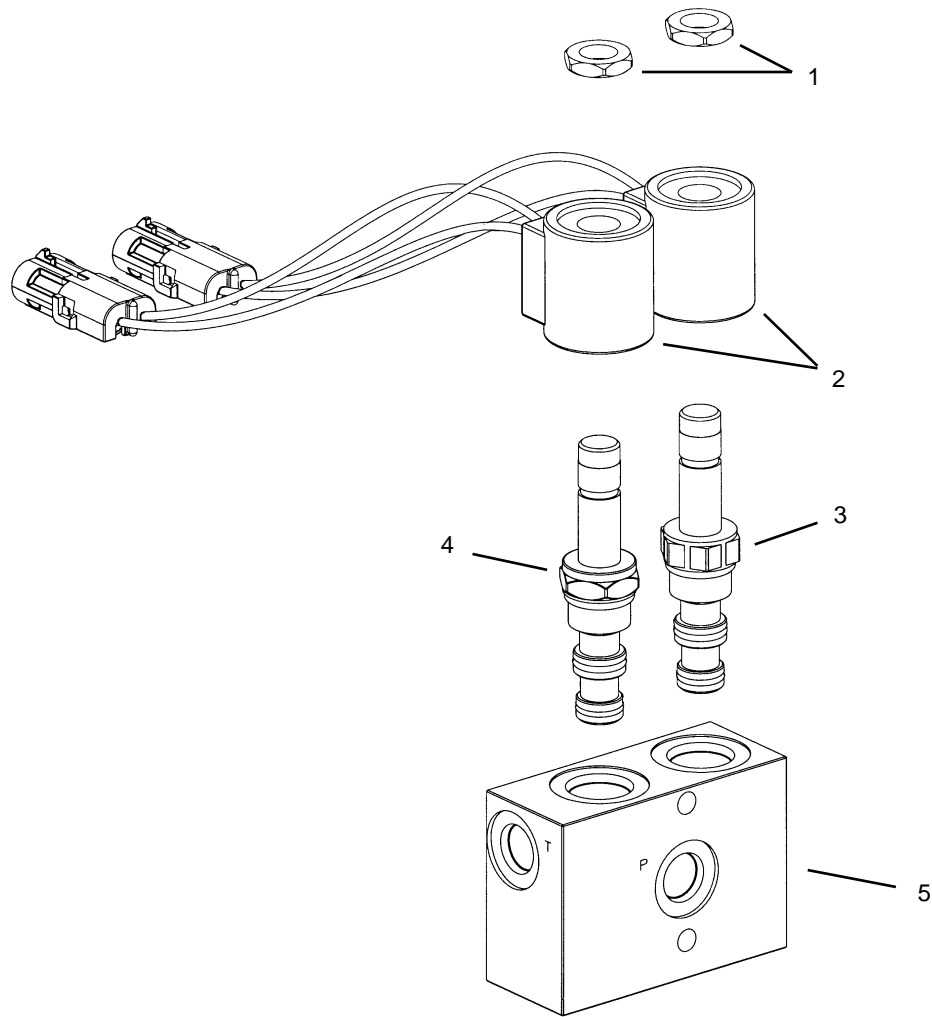
Pilot Apply Valve (Tri-Function Controller)

RS6-42/RS8-42/44



Ref. No.	Part No.	Description	Qty. Req.	Ref. No.	Part No.	Description	Qty. Req.
00	L71339	PILOT APPLY MANIFOLD..... ^a (includes all items except item 7)		04	L99910	VALVE, 3-WAY 2 POSITION..... 2 (includes item 6)	
01	L500745	PRESSURE CONTROL..... 2			L99911	SEAL KIT, 3-WAY VALVE..... 2	
	L99911	SEAL KIT..... 2		05	L99908	COIL, WEATHERPAK 12VDC..... 3	
02	L99917	PLUG -4 NWD STYLE..... 1		06	NSS	NUT..... 3 (included with items 3 and 4)	
03	L500746	VALVE, 2 WAY..... 1 (includes item 6)		07	104216	WIRE HARNESS, TILT CONTROL. 1	
	L99924	SEAL KIT, 2 WAY VALVE..... 1					

^a Units equipped with Auxiliary Hydraulics use (2) L71339 Pilot Apply Manifolds.

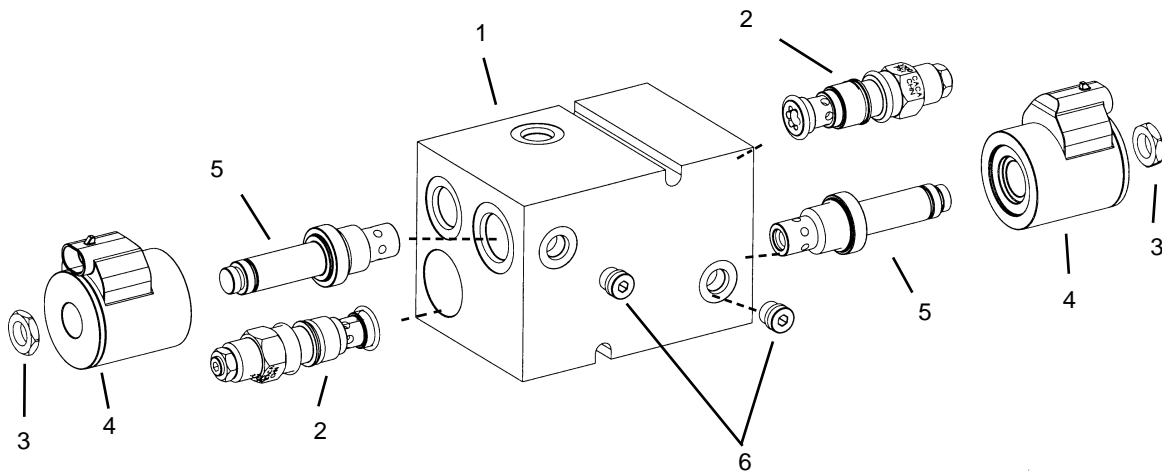


Ref. No.	Part No.	Description	Qty. Req.	Ref. No.	Part No.	Description	Qty. Req.
00	102321	MANIFOLD, PWP	1	04	L99910	SOLENOID VALVE	1
		<i>(Complete assembly)</i>			L99911	SEAL KIT	1
01	NSS	NUT, SOLENOID VALVE.	2	05	NSS	MANIFOLD	1
		<i>(included with item 3 and 4)</i>				<i>(Items included are not shown.)</i>	
02	L99908	12 VDC WEATHER PACK COIL	2				
03	L99909	SOLENOID VALVE	1				
	L99911	SEAL KIT	1				
		<i>(Items included are not shown.)</i>					

Hydraulic Components

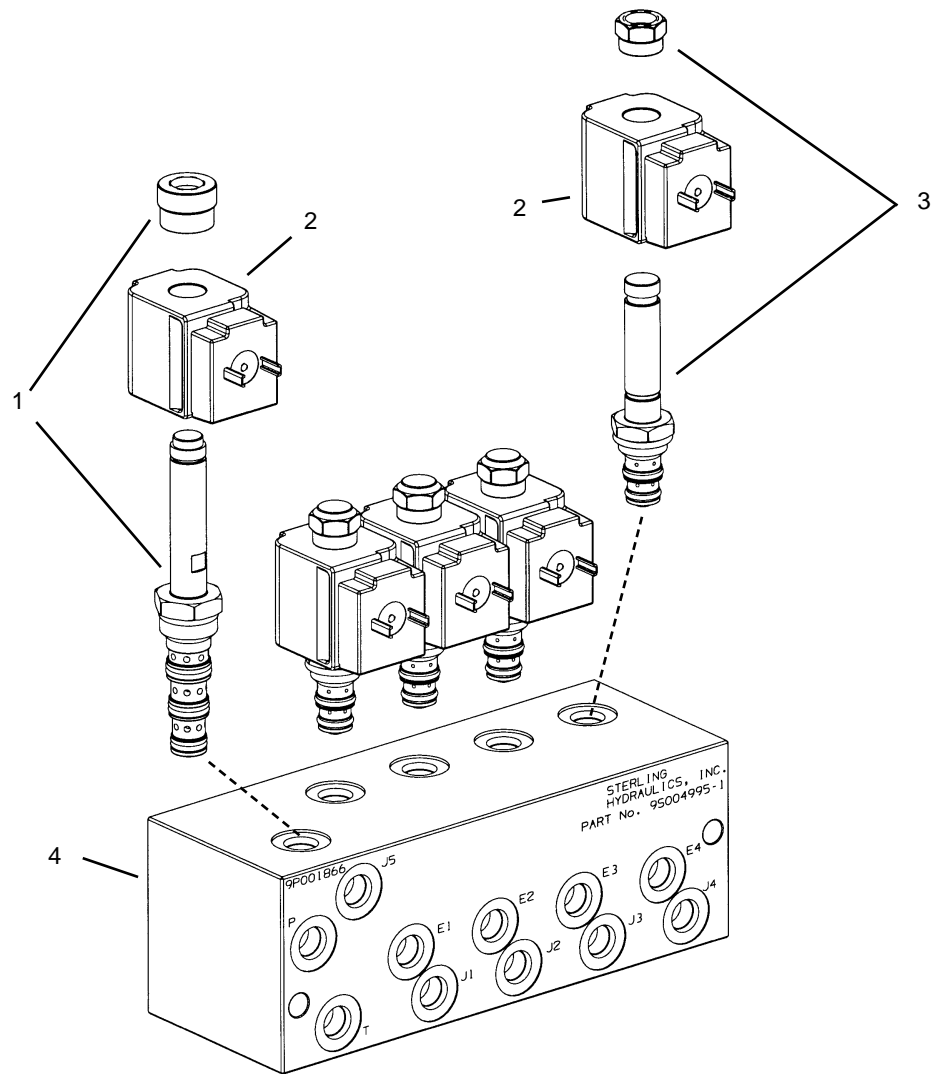
Stabilizing Valve

RS6-42/RS8-42/44



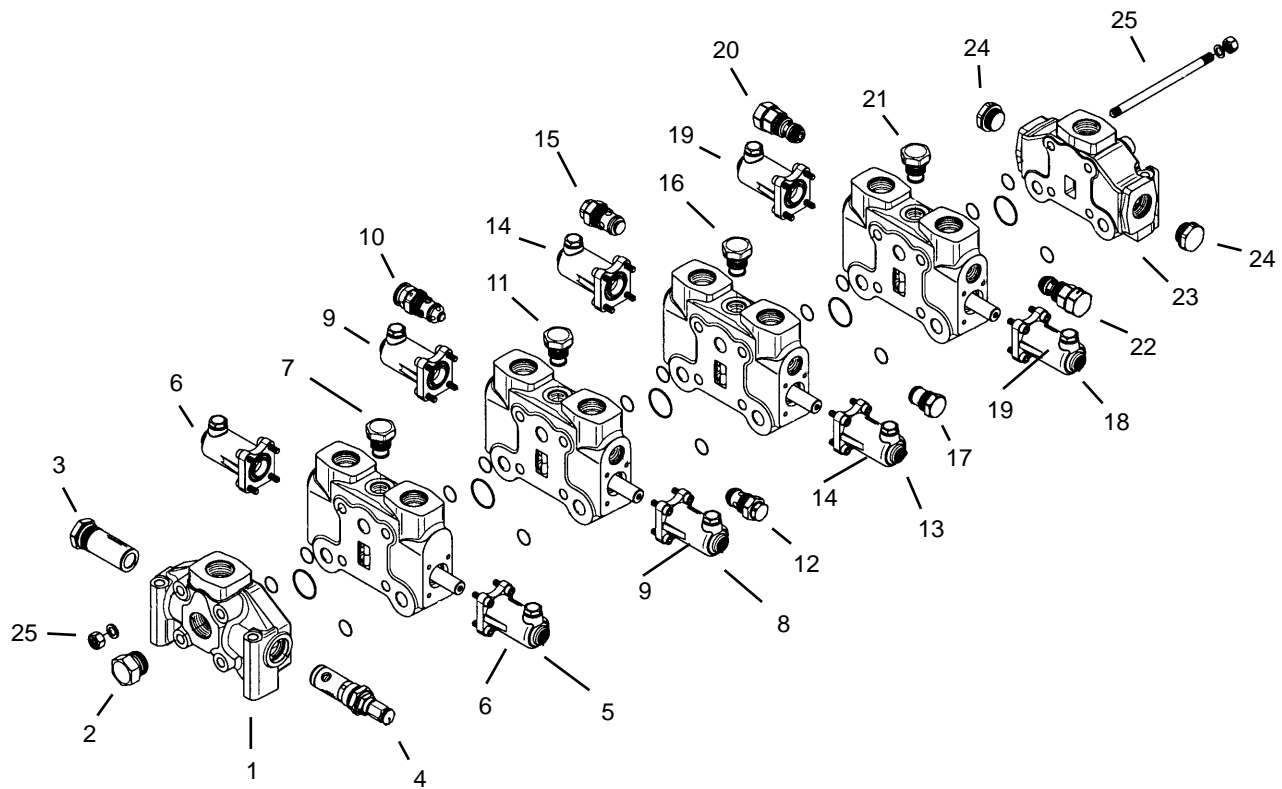
Ref. No.	Part No.	Description	Qty. Req.	Ref. No.	Part No.	Description	Qty. Req.
01	102877	COMPLETE. VALVE ASSEMBLY .. 1 <i>(includes all items shown)</i>	1	04	103151	E-COIL 12VDC	2
02	102878	COUNTER BAL. VALVE 3700PSI.. 2	2	05	103152	CARTRIDGE <i>(only)</i>	2
	104820	CBV SEAL KIT	2		L99916	SEAL KIT <i>(included with cartridge)</i>	2
03	NSS	NUT <i>(included with item 5)</i>	2	06	L99917	PLUG -4ORM	2

NOTE: Items included in seal kits are not shown.



Ref. No.	Part No.	Description	Qty. Req.	Ref. No.	Part No.	Description	Qty. Req.
00	103413	COMPLETE VALVE	1				
		<i>(includes all items shown and listed)</i>					
01	103508	2/4 WAY SOLENOID VALVE	1	00	103514	SHUTTLE VALVE	4
	103511	SEAL KIT FOR VALVE	1		103513	SEAL KIT FOR VALVE	AR
02	103510	12 VDC COIL (DIN CONN.)	5				
03	103509	PROPORTIONAL PRESS. VALVE	4				
	103512	SEAL KIT FOR VALVE	AR				
04	NSS	MANIFOLD	1				

-- ITEMS NOT SHOWN --



FRONT 



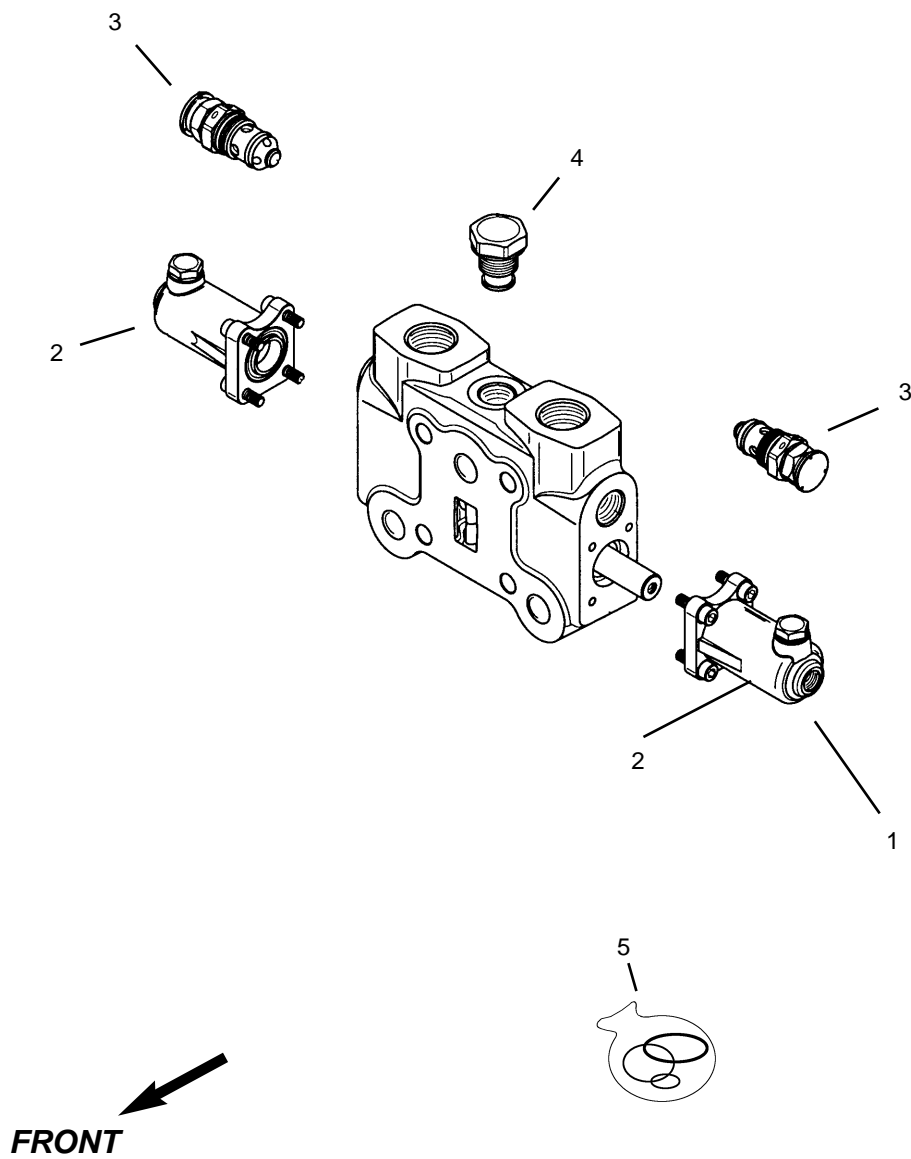
Telescopic Handler

Hydraulic Components

Main Valve

Ref. No.	Part No.	Description	Qty. Req.	Ref. No.	Part No.	Description	Qty. Req.
00	102356	COMPLETE ASY.	1	17 ^h	103047	KIT PLUG	1
01 ^a	103054	INLET SECTION <i>(includes items 1-4)</i>	1	18 ^e	103058	WORK SECTION (<i>Tilt</i>) <i>(includes items 18-22)</i>	1
02 ^h	103051	PLUG KIT 1-5/16" UNF	1	19 ^g	103053	HYD. CONTROL KIT	1
03 ^h	103050	PLUG KIT	1	20 ^h	103045	COMBINATED VALVE	1
04	103049	PILOT OPERATED RELIEF VLV ...	1	21 ^h	103052	CHECK VALVE	1
05 ^b	103055	WORK SECTION (<i>Frame Level</i>) ... <i>(includes items 5-7)</i>	1	22 ^h	103045	COMBINATED VALVE	1
06 ^g	103053	HYD. CONTROL KIT	1	23	103061	OUTLET SECTION <i>(includes item 24)</i>	1
07 ^h	103052	CHECK VALVE	1	24 ^h	103068	PLUGAR	
08 ^c	103056	WORK SECTION (<i>Boom In/out</i>) ... <i>(includes items 8-12)</i>	1	25	103059	TIE ROD KIT (<i>4 section valve</i>) ...	1
09 ^g	103053	HYD. CONTROL KIT	1	26 ^f	103062	SEAL KIT	1
10 ^h	103048	ANTISHOCK VALVE (140 BAR) ...	1				
11 ^h	103052	CHECK VALVE	1				
12 ^h	103046	ANTICAVITATION VALVE	1				
13 ^d	103057	WORK SECTION (<i>Boom Up/Down</i>) 1 <i>(includes items 13-17)</i>	1				
14 ^g	103053	HYD. CONTROL KIT	1				
15 ^h	103046	ANTICAVITATION VALVE	1				
16 ^h	103052	CHECK VALVE	1				

- a Use seal kit #103063 for all related seals.
- b Use seal kit #103075 for all related seals.
- c Use seal kit #103065 for all related seals.
- d Use seal kit #103066 for all related seals.
- e Use seal kit #103067 for all related seals.
- f Items included with seal kit are not shown in detail.
- g Includes outer caps, orings, bolts, plug and internal spool spring for this work section; does not include orings for valves/plugs or the spool.
- h Includes required seals/orings for this valve/plug. Seals/orings for this valve are not sold individually, however they are included with the work section seal kit where this valve is used.



Telescopic Handler

Hydraulic Components

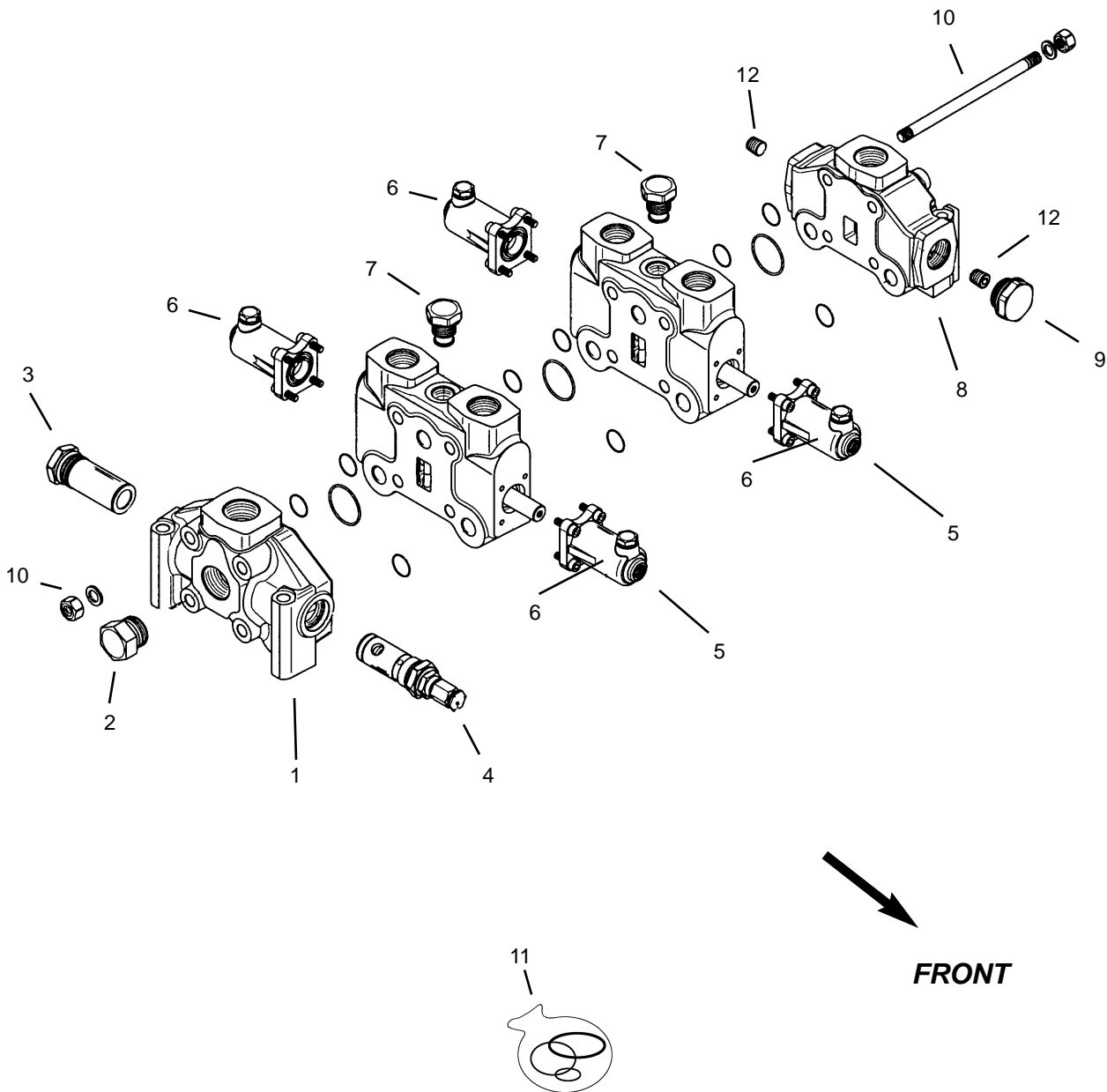
Main Valve - Auxiliary Hydraulics Work Section

Ref. No.	Part No.	Description	Qty. Req.	Ref. No.	Part No.	Description	Qty. Req.
01	102420	AUXILIARY HYD WORK SECT. . . . 1 <i>(includes items 1-4)</i>				-- ITEMS NOT SHOWN --	
02 ^a	103053	HYD. CONTROL KIT 1		00	102807	KIT, FIVE SECTION TIE BOLT 4 <i>(includes 1 bolt, 2 nuts & 2 washers)</i>	
03 ^c	103086	ANTISHOCK VALVE 1					
04 ^c	103052	CHECK VALVE 1					
05 ^b	103087	SEAL KIT 1					
				a		<i>Includes outer caps, orings, bolts, plug and internal spool spring for this work section; does not include orings for valves/plugs or the spool.</i>	
				b		<i>Items included with seal kit are not shown in detail.</i>	
				c		<i>Seals/orings for this valve are not sold individually, however they are included with the work section seal kit where this valve is used.</i>	

Hydraulic Components

Outrigger Valve

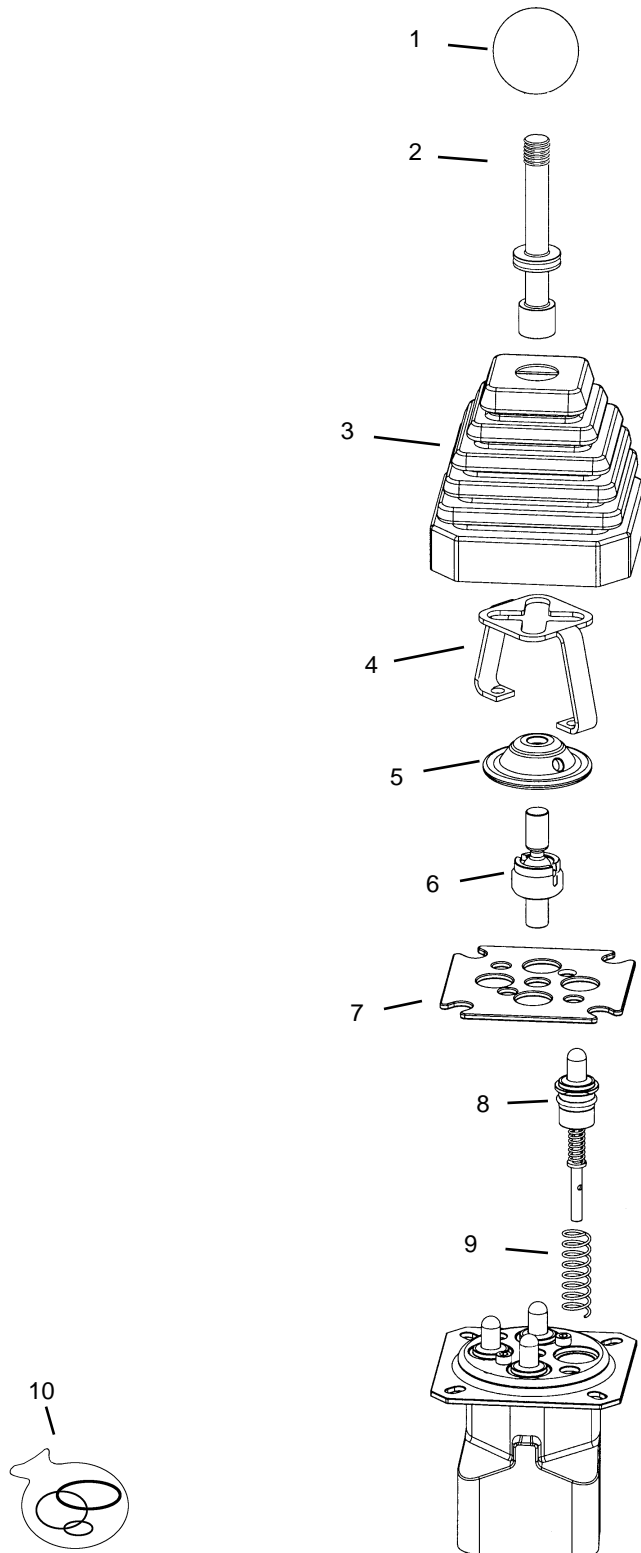
RS6-42/RS8-42/44



Telescopic Handler

Hydraulic Components Outrigger Valve

Ref. No.	Part No.	Description	Qty. Req.	Ref. No.	Part No.	Description	Qty. Req.
00	102419	COMPLETE ASY.	1	11 ^e	103069	SEAL KIT	1
01 ^a	103070	INLET SECTION	1	12	103076	3/8" CONIC PLUG	2
		<i>(includes items 1-4)</i>					
02 ^{cf}	103060	PLUG KIT 1-1/16" UNF	1	a		<i>Use seal kit #103074 for all related seals.</i>	
03 ^{cf}	103050	PLUG KIT	1	b		<i>Use seal kit #103075 for all related seals.</i>	
04	103049	PILOT OPERATED RELIEF VLV ...	1	c		<i>Includes orings for valve/plug.</i>	
05 ^b	103071	WORK SECTION	2	d		<i>Includes outer caps, orings, bolts, plug and internal spool spring for this work section; does not include orings for valves/plugs or the spool.</i>	
		<i>(includes items 5-7)</i>		e		<i>Items included with seal kit are not shown in detail.</i>	
06 ^d	103053	HYD. CONTROL KIT <i>(per section)</i> .	1				
07 ^{cf}	103052	CHECK VALVE	1	f		<i>Seals/orings for this valve are not sold individually, however they are included with the work section seal kit where this valve is used.</i>	
08	103072	OUTLET SECTION	1				
		<i>(includes item 9)</i>					
09 ^{cf}	103068	PLUG	AR				
10	103073	TIE ROD KIT <i>(2 section valve)</i> ...	1				



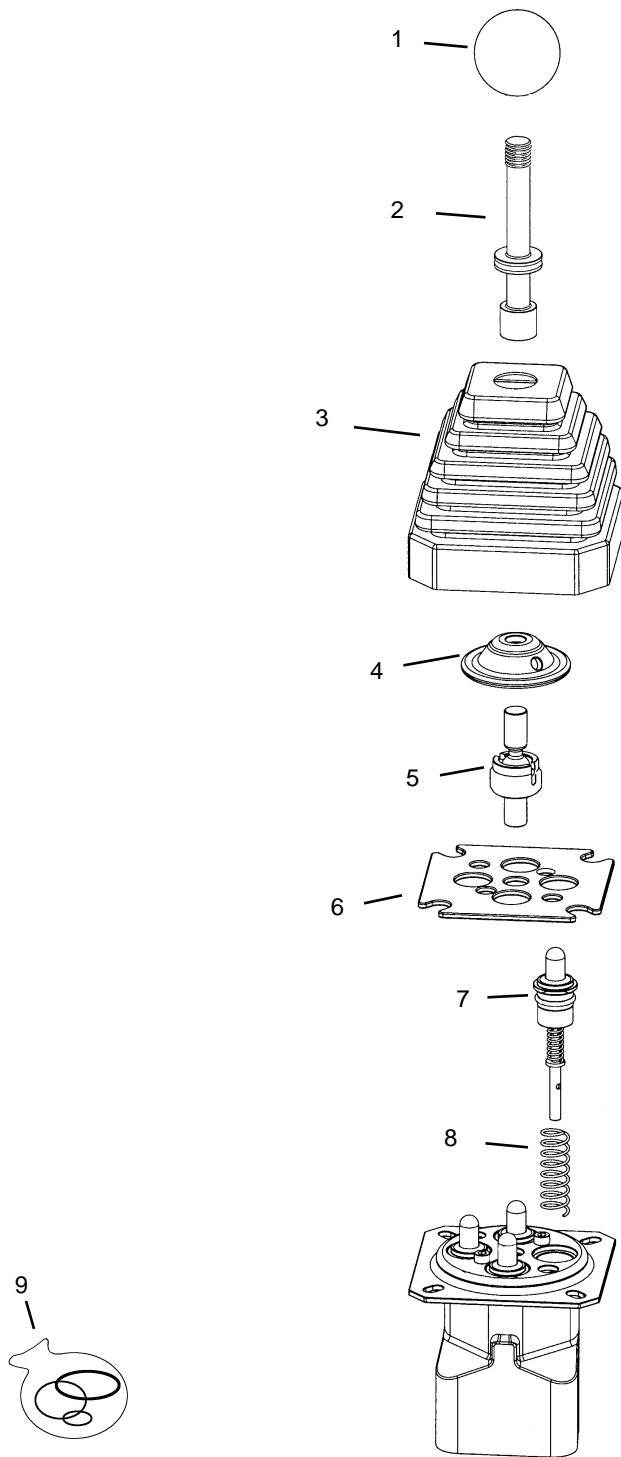
Telescopic Handler

Hydraulic Components

Controller - Tilt / Frame Level (Standard)

Ref. No.	Part No.	Description	Qty. Req.	Ref. No.	Part No.	Description	Qty. Req.
00	102784	HYD. CONTROLLER <i>(Complete)</i>	1	08	103079	METERING CURVE <i>(as shown)</i>	4
01	103122	KNOB	1	09	103080	RETURN SPRING	4
02	103112	LEVER ROD <i>(as shown)</i>	1	10 ^a	103117	SEAL KIT	1
03	103113	BOOT	1				
04	102674	LOCK GATE	1				
05	103114	SELECTOR DISC	1				
06	103115	PIVOT/ BALL JOINT	1				
07	103116	PLATE / BOOT MOUNT	1				

a *Items included in seal kit are not shown.*

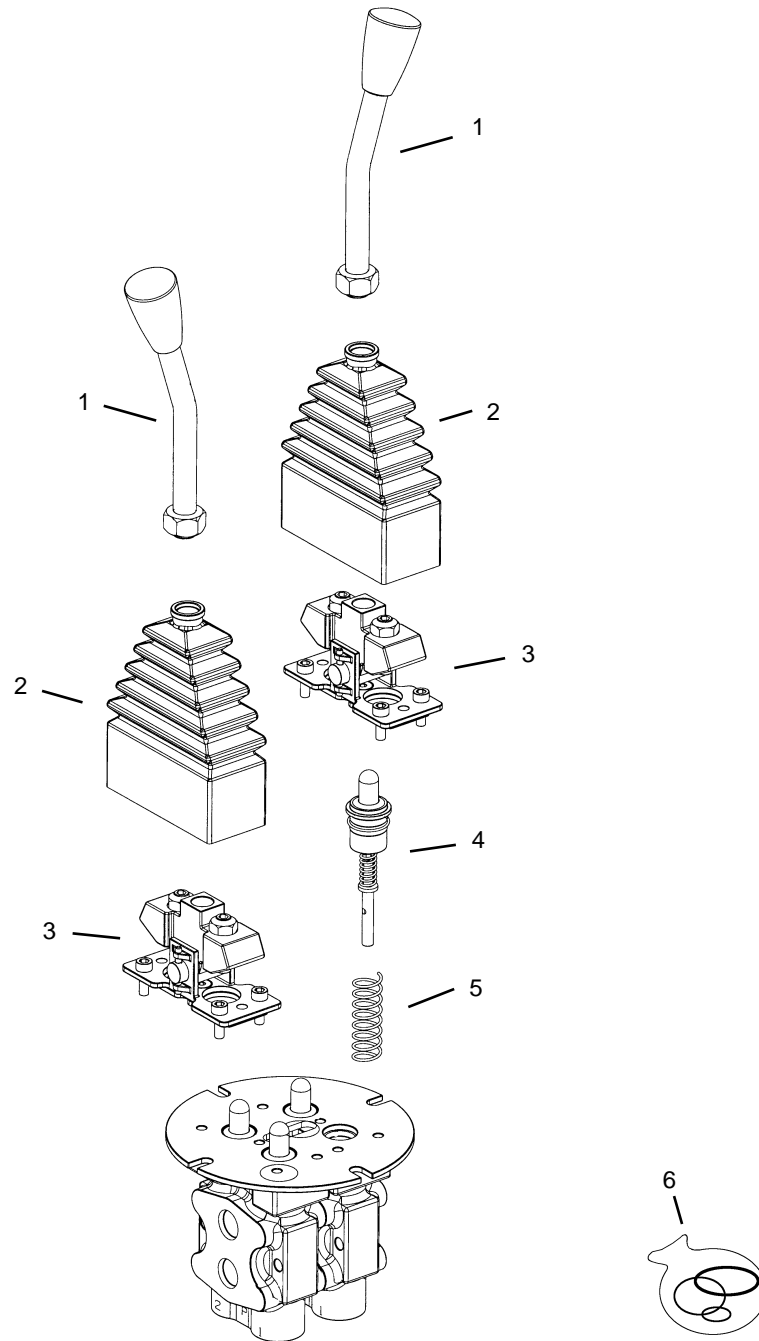


Telescopic Handler

Hydraulic Components

Controller - Boom Lift / Extend (Standard)

Ref. No.	Part No.	Description	Qty. Req.	Ref. No.	Part No.	Description	Qty. Req.
00	102434	HYD. CONTROLLER <i>(Complete)</i>	1	07	103079	METERING CURVE <i>(as shown)</i>	4
01	103122	KNOB	1	08	103080	RETURN SPRING	4
02	103112	LEVER ROD <i>(as shown)</i>	1	09 ^a	103117	SEAL KIT	1
03	103113	BOOT	1				
04	103114	SELECTOR DISC	1				
05	103115	PIVOT/ BALL JOINT	1				
06	103116	PLATE /BOOT MOUNT	1	a		<i>Items included in seal kit are not shown.</i>	

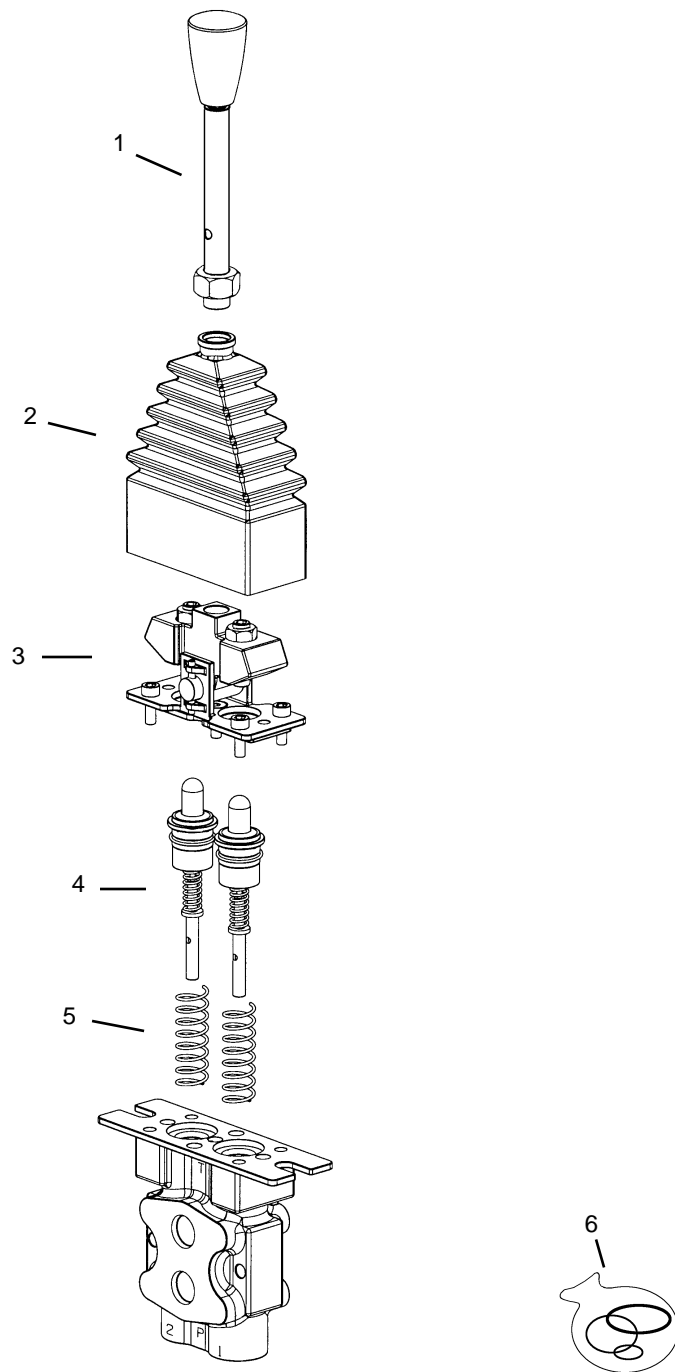


Telescopic Handler

Hydraulic Components Controller - Outrigger (Option)

Ref. No.	Part No.	Description	Qty. Req.	Ref. No.	Part No.	Description	Qty. Req.
00	102436	COMPLETE VALVE ASY.	1	04	103079	METERING CURVE (<i>as shown</i>) ...	4
01	103081	LEVER ROD (<i>as shown</i>).....	2	05	103080	RETURN SPRING.....	4
02	103084	BOOT (<i>included with item #3</i>)....	2	06 ^a	103082	SEAL KIT.....	1
03	103078	CONTROL KIT..... (<i>includes item #2 Boot</i>)	2				

a *Items included in seal kit are not shown.*

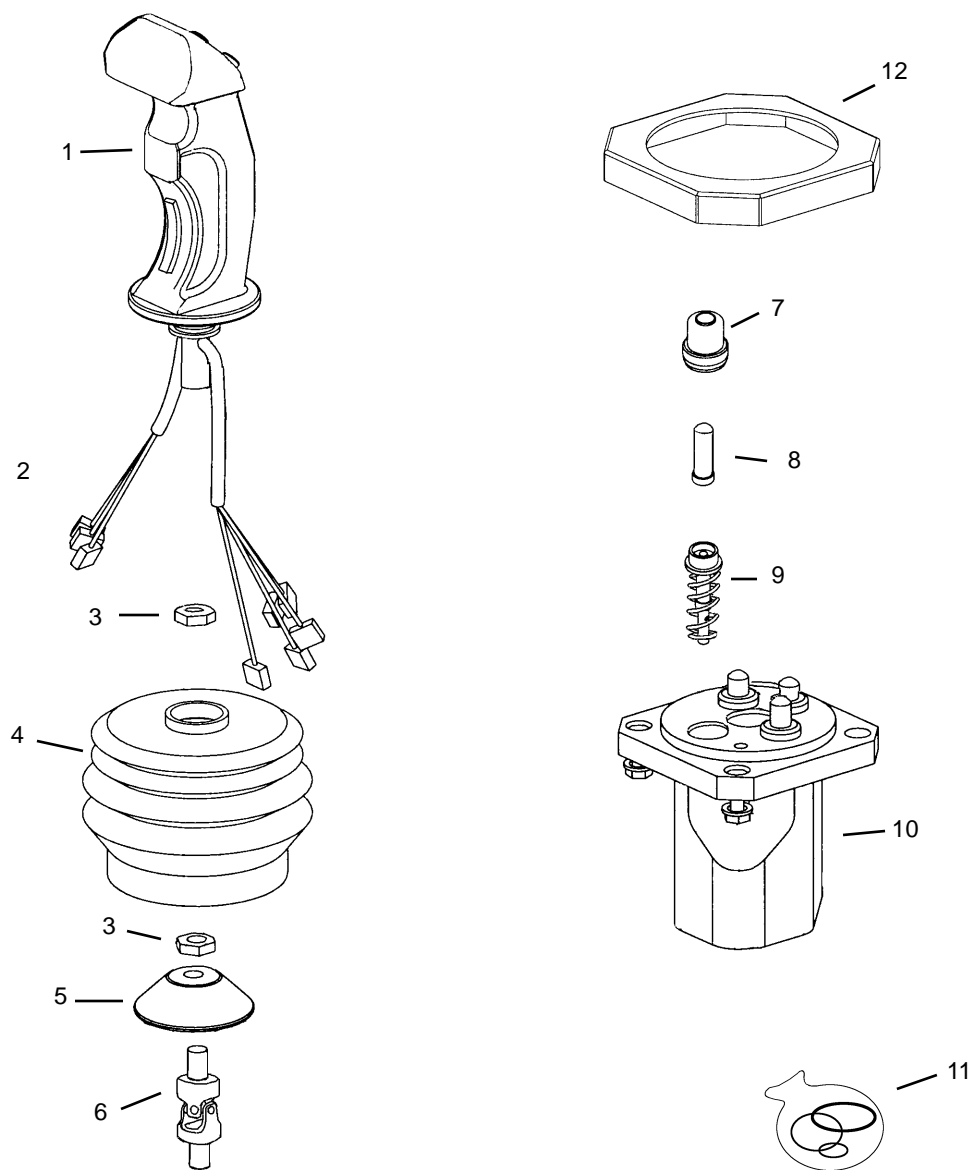


Telescopic Handler

Hydraulic Components

Controller - Auxiliary Hydraulics (Standard) - Frame Level (Tri-Function)

Ref. No.	Part No.	Description	Qty. Req.	Ref. No.	Part No.	Description	Qty. Req.
00	102435	COMPLETE VALVE ASY.	1	05	103080	RETURN SPRING.....	2
01	103077	LEVER ROD (as shown).....	1	06 ^a	103083	SEAL KIT.....	1
02	103084	BOOT (included with item #3)....	1				
03	103078	CONTROL KIT.....	1				
		(includes item #2 Boot)		a		Items included in seal kit are not shown.	
04	103079	METERING CURVE (as shown)...	2				



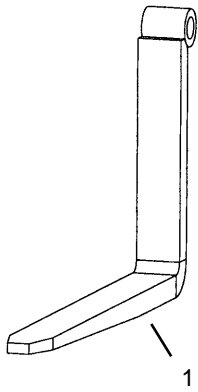
Telescopic Handler

Hydraulic Components Controller - Tri-Function (Option)

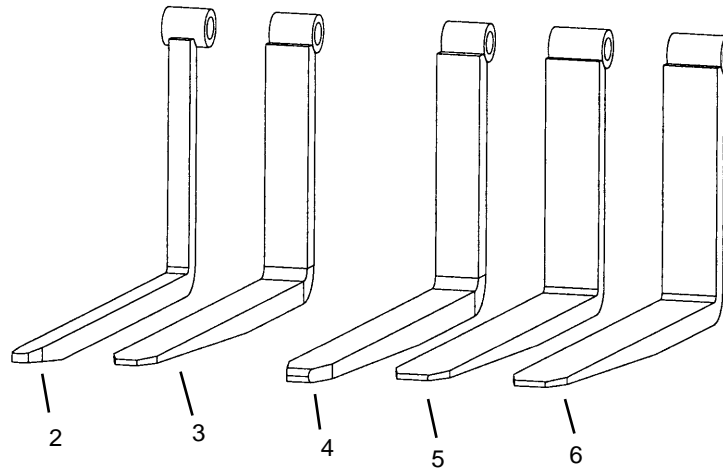
Ref. No.	Part No.	Description	Qty. Req.	Ref. No.	Part No.	Description	Qty. Req.
00	104083	JOYSTICK 4BUTTN/TRIGGER . . .	1	08	L500690	HPV SPINDLE 10mm	4
01	L500371	HANDLE W/4 BUTTONS	1	09	104223	PILOT SPRING PACK C059	4
02	L62761	WIRE CONNECTOR	8	10	NSS	BODY ASSEMBLY	1
03	L500688	NUT M10 UNI	2	11 ^a	L500653	SEAL REPAIR KIT	1
04	L500656	RUBBER BOOT	1	12	104304	BEZEL, JOYSTICK	1
05	L500689	SELECTOR DISC	1				
06	L500652	UNIVERSAL JOINT	1				
07	L500692	SPINDLE GUIDE ASSEMBLY	4				

a Items included in the seal kit are not shown.

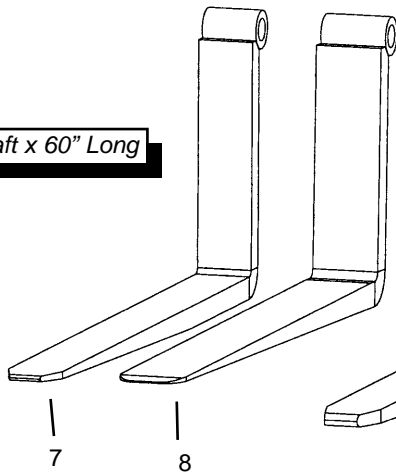
2" Shaft x 42" Long



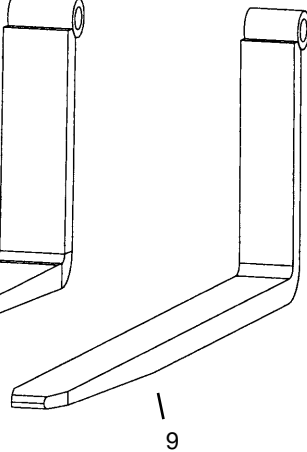
2" Shaft x 48" Long



2" Shaft x 60" Long



2" Shaft x 72" Long

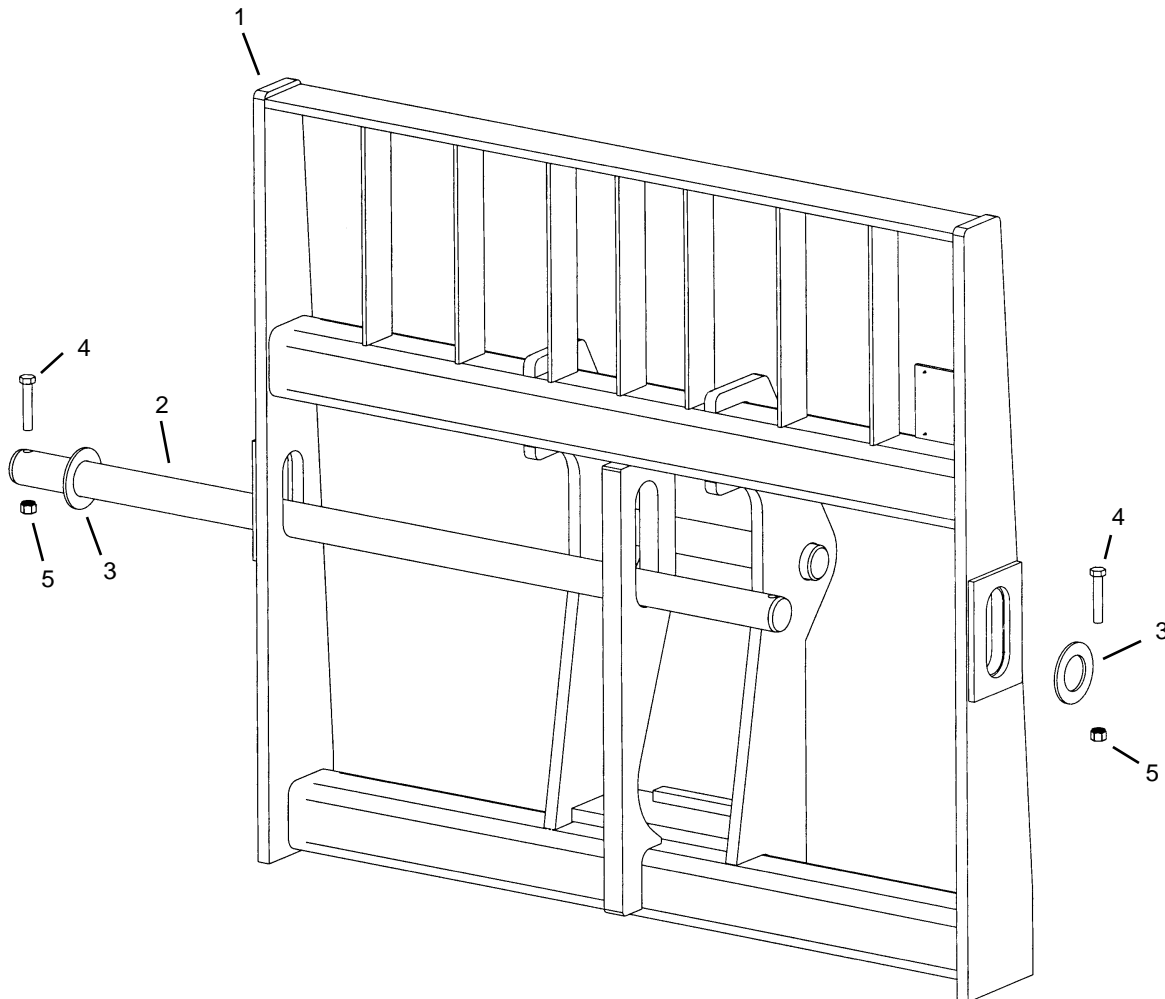


Telescopic Handler

Attachments Carriage Forks

Ref. No.	Part No.	Description	Qty. Req.	Ref. No.	Part No.	Description	Qty. Req.
-- 2" FORK SHAFT DIAMETER --				06	L47263	FORK, 48"X5"X2" (10,500 lbs.)	2
01	L71350	FORK, 42"X4"X2" (8,400 lbs.)	2	07	L47265	FORK, 60"X5"X2" (10,500 lbs.)	2
02 ^a	L61001	FORK, 48"X2"X2" (4,200 lbs.)	4	08	L60961	FORK, 60"X6"X2-1/4" (12,500 lbs.)	2
03	L61017	FORK, 48"X4"X2" (8,400 lbs.)	2	09	L68331	FORK, 72"X5"X2" (10,500 lbs.)	2
04	L66406	FORK, 48"X4"X2-1/4" (12,000 lbs.)	2	a	Requires 2 sets (4 forks).		
05	L400929	FORK, 48"X5"X1-3/4" (8,500 lbs.)	2				

Note: Ratings are based on 2 forks and the load at 24" on center, except for item 2, for which 4 forks are required.



Telescopic Handler

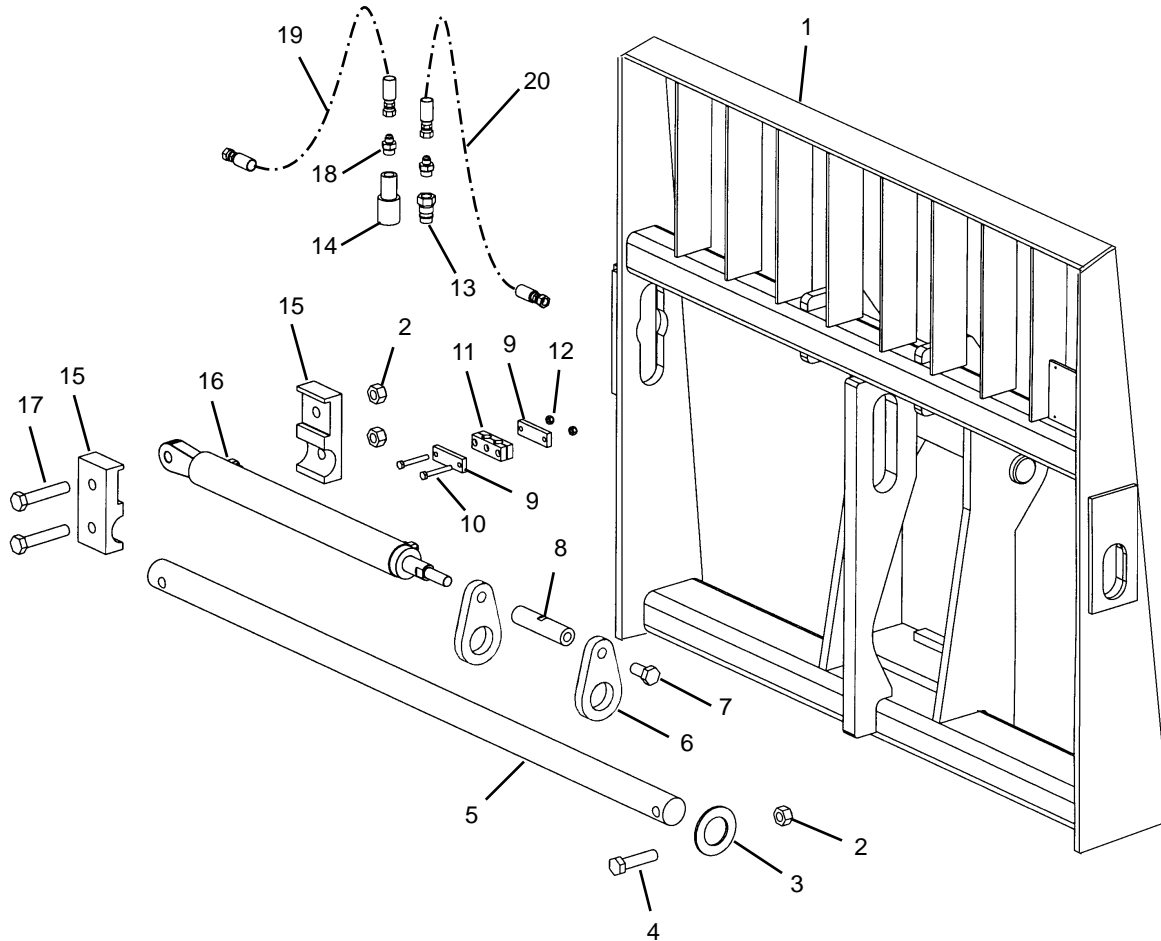
Attachments Standard Carriage

Ref. No.	Part No.	Description	Qty. Req.	Ref. No.	Part No.	Description	Qty. Req.
01		CARRIAGE WELDMENT	1	03	L400425	FORK SHAFT WASHER	2
	L99190	48" (2" pin)	1	04	L510003	BOLT, 1/2"X2-3/4" BOLT	2
	L99191	66" (2" pin)	1	05	L520019	1/2"-13 NYLON INSERT NUT	2
02		FORK SHAFT BAR	1				
	L65223	(2"X51-1/2")	1				
	L64561	(2"X69-1/2")	1				

Attachments

Fork Shift Carriage

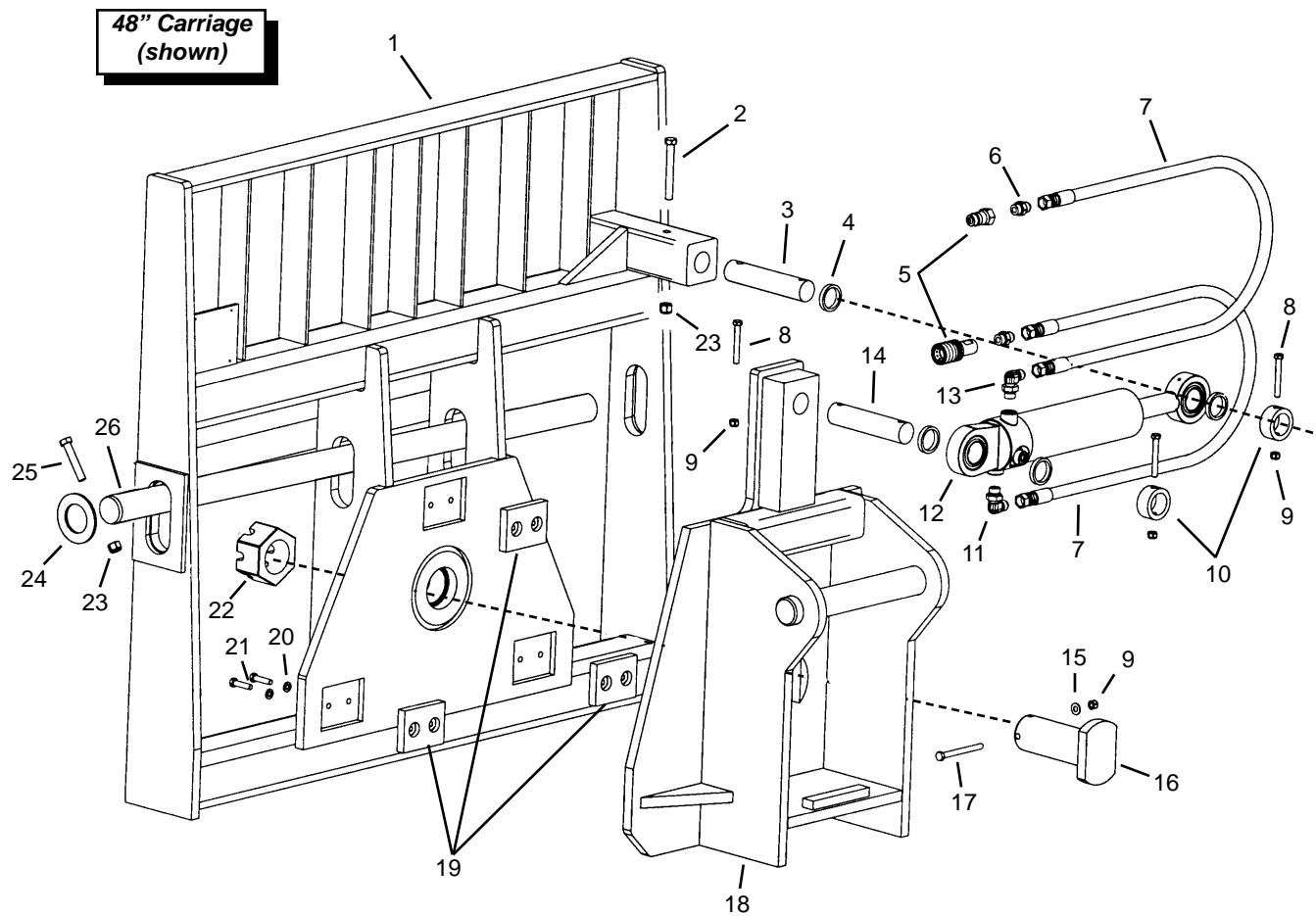
RS6-42/RS8-42/44



Telescopic Handler

Attachments Fork Shift Carriage

Ref. No.	Part No.	Description	Qty. Req.	Ref. No.	Part No.	Description	Qty. Req.
01	L500213	FORK SHIFT CARRIAGE	1	14 ^b	NSS	COUPLER, FEMALE	1
02	L50519	3/4"-10 NYLON INSERT NUT	3	15	L66918	CYLINDER MOUNT	2
03	L400425	FORK SHAFT WASHER	1	16	L68337	FORK SHIFT CYLINDER	1
04	L50333	3/4"-10X3" BOLT	1	17	L50562	3/4"-10X4" BOLT	2
05	L66919	FORK SHAFT, 50"	1	18	L63143	ADAP -8ORM -6JICM W/.06 ORF	2
06	L66931	FORK SLIDE PLATE	2	19	L66950	HOSE -6 A6/A6 59"	1
07	L50875	3/4"-10X1-1/2" BOLT	1	20	L66949	HOSE -6 A6/A6 56"	1
08	Note a	FORK SLIDE COUPLER	1				
09	L63715	TWIN CUSHION TOP PLATE	2	a	<i>For 4" wide forks use P/N L66921.</i>		
10	L50242	5/16"-18X2-1/4" BOLT	2		<i>For 5" wide forks use P/N L66948.</i>		
11	L63716	TWIN HOSE CUSHION	1				
12	L520004	5/16"-18 NYLON INSERT NUT	2	b	<i>Order P/N L65273 Coupler Set.</i>		
13 ^b	NSS	COUPLER, MALE	1				



Telescopic Handler

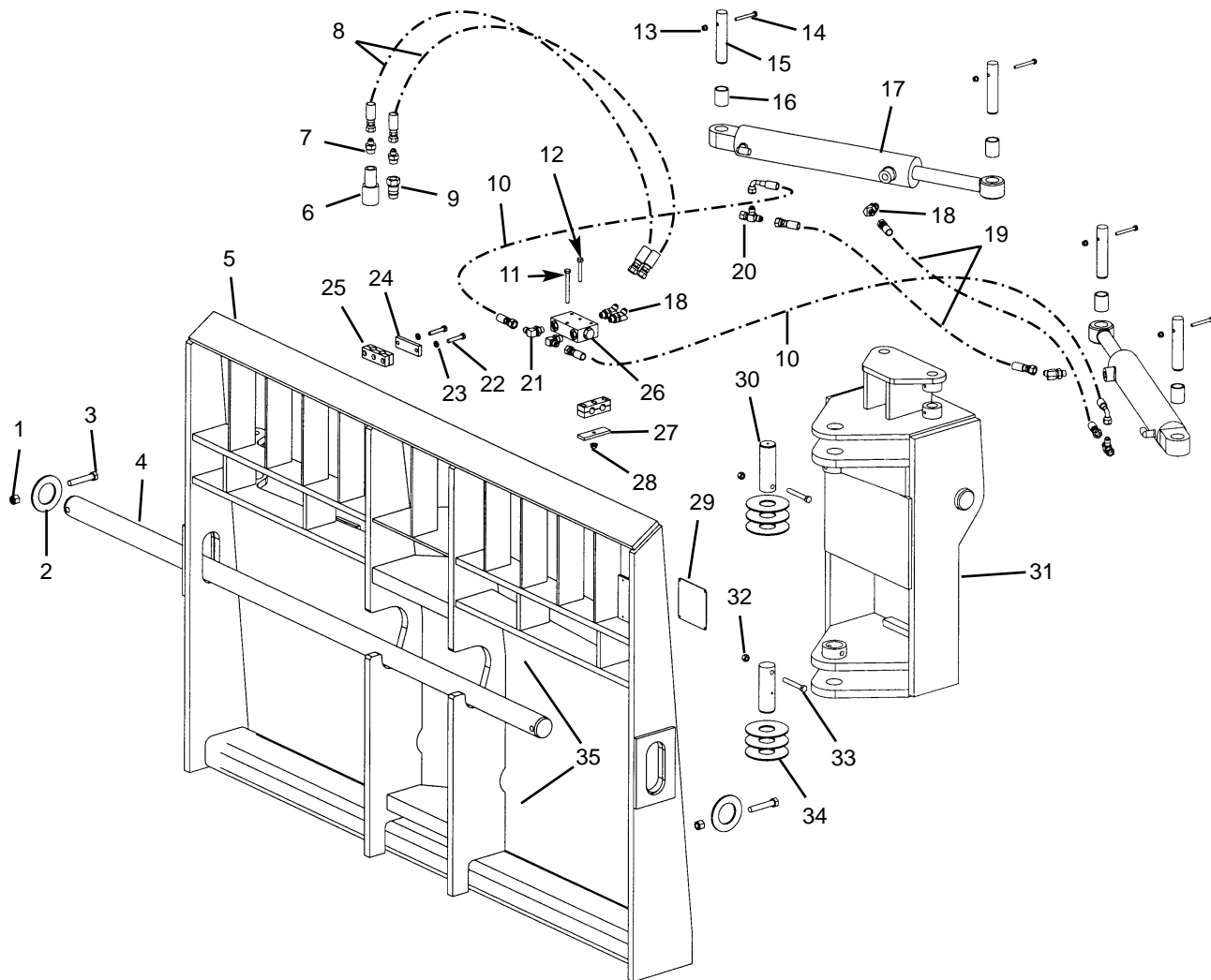
Attachments Rotating Carriage

Ref. No.	Part No.	Description	Qty. Req.	Ref. No.	Part No.	Description	Qty. Req.
01		CARRIAGE, ROTATING	1	15	L50145	3/8" FLAT WASHER	AR
	103517	(48" Carriage) 2" dia. fork shaft		16	101003	ROTATOR PIN.	1
	103518	(66" Carriage) 2" dia. fork shaft		17	L50801	3/8"X4" BOLT.	1
02	L50982	1/2"X4" BOLT.	1	18	101999	ROTATOR PLATE WELDMENT . . .	1
03	L65181	PIN, ROTATOR ROD END	1	19	L61709	SLIDE PAD	3
04	L61307	SPACER	4	20	L50147	3/8" LOCK WASHER.	6
05	L65273	QUICK COUPLER SET.	1	21	L50261	3/8"X1-1/2" BOLT	6
06	L444004	ADAP -8ORM -8JICM STR	2	22	L50718	2-1/2"-12 CASTELL NUT.	1
07	L64294	HOSE -8 A8/A8 53"	2	23	L520019	1/2"-13 NYLON INSERT NUT	4
08	L50273	3/8"X2-3/4" BOLT	3	24	L400425	FORK SHAFT WASHER (2" ID) . . .	2
09	L520005	3/8"-16 NYLON INSERT NUT . . .	AR	25	L510003	BOLT, 1/2"X2-3/4"	2
10	L62026	LOCK COLLAR 1.5" OD	2			(2" dia. shaft)	
11	L66017	ADAP -8ORM -8JICM 90 w/ORF. . .	2	26		FORK SHAFT BAR	1
12	L70655	ROTATE CYLINDER	1		L65223	(48" Carriage) 2" dia. fork shaft	
13	L66017	ADAP -8ORM -8JICM 90 w/ORF. . .	2		L64561	(66" Carriage) 2" dia. fork shaft	
14	L65180	PIN, ROTATOR BASE END	1				

Attachments

Swing Carriage

RS6-42/RS8-42/44



Telescopic Handler

Attachments Swing Carriage

Ref. No.	Part No.	Description	Qty. Req.	Ref. No.	Part No.	Description	Qty. Req.
01	L520019	1/2"-13 NYLON INSERT NUT	2	18	L445004	ADAP -6ORM -6JICM 45.	4
02	L400425	FORK SHAFT WASHER.	2	19	100631	HOSE -4 A6/A6 36".	2
03	L510003	1/2"X2-3/4" BOLT	2	20	L446049	ADAP -6JICFS -6JICM TEE	2
04	L64561	FORK SHAFT BAR (66" Carriage) .	1	21	L445003	ADAP -6ORM -6JICM 90.	2
05	L500216	66" CARRIAGE, SWING.	1	22	L50561	5/16"-18X1-3/4" BOLT	2
06 ^a	NSS	COUPLER, FEMALE.	1	23	L50143	5/16" LOCK WASHER.	2
07	L63143	ADAP -8ORM -6JICM STR W.06 . . .	2	24	L63715	TWIN CUSH. TOP PLATE.	1
08	L66958	HOSE -6 A6/A6 89"	2	25	L63716	TWIN HOSE CUSHION.	2
09 ^a	NSS	COUPLER, MALE	1	26	L71651	VALVE, DUAL PO	1
10	L63984	HOSE -4 DS6/A6 22"	2	27	L63233	HOSE CUSH. TOP PLATE	1
11	650833	5/16"X3" BOLT.	1	28	L50056	5/16" FLARE NUT	2
12	L50835	5/16"X2" BOLT.	1	29	NSS	NAME PLATE	1
13	L520003	1/4" NYLON INSERT NUT	4	30	L63994	PIN, CARRIAGE PIVOT	2
14	L50452	1/4"X2-1/4" BOLT	4	31	L70719	SWING PIVOT WELDMENT.	1
15	L63995	PIN, SWING CYLINDER.	4	32	L520005	3/8"-16 NYLON INSERT NUT	2
16	L63593	BUSHING	4	33	L50273	3/8"-16X2-3/4" BOLT	2
17	L63970	SWING CYLINDER	2	34	L63951	THRUST WASHER	6
				35	L63468	BUSHING, CARRIAGE PIVOT	2

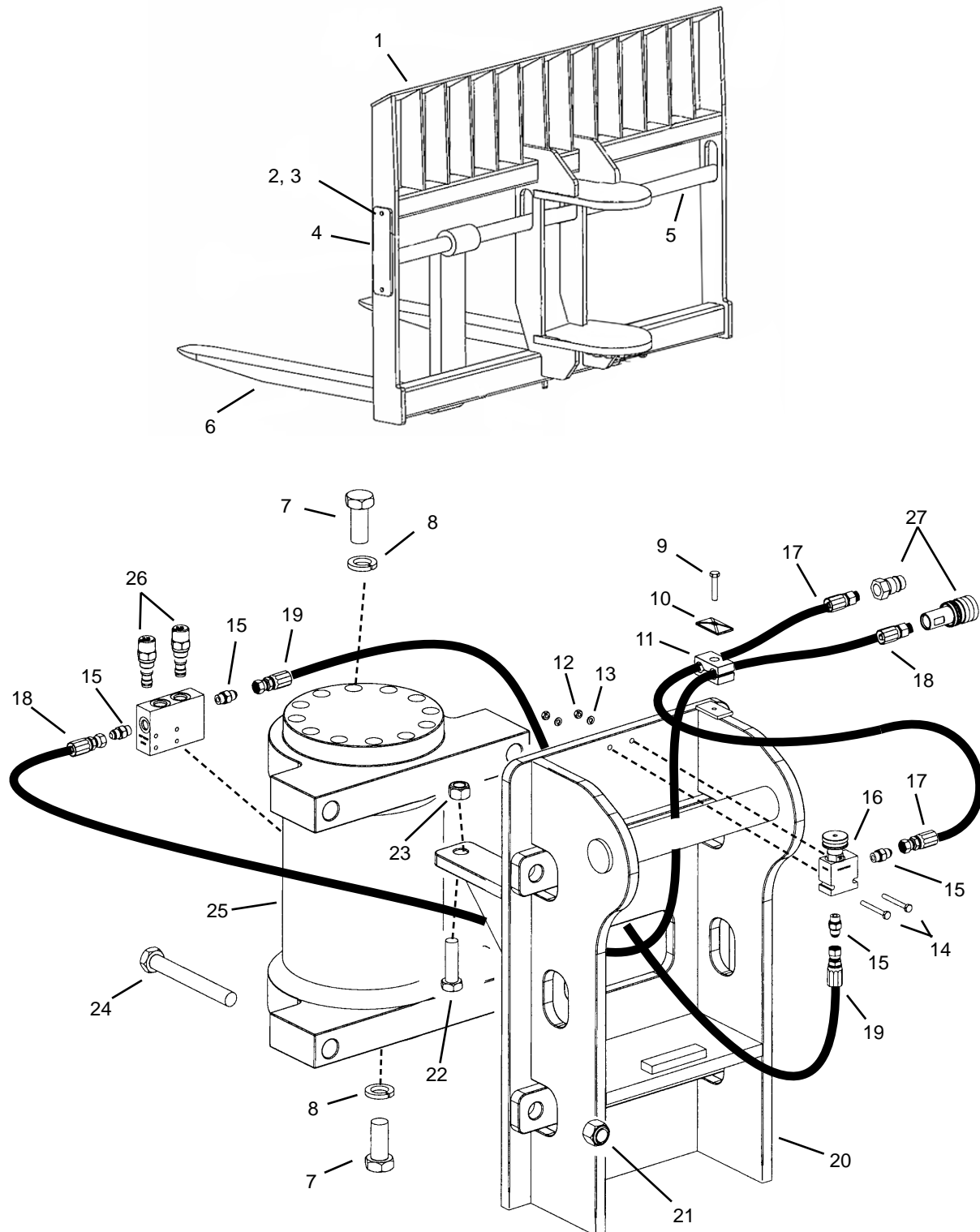
(Not shown)

a Order P/N L65273 Coupler Set.

Attachments

180° Swing Carriage

RS6-42/RS8-42/44



Telescopic Handler

Attachments 180° Swing Carriage

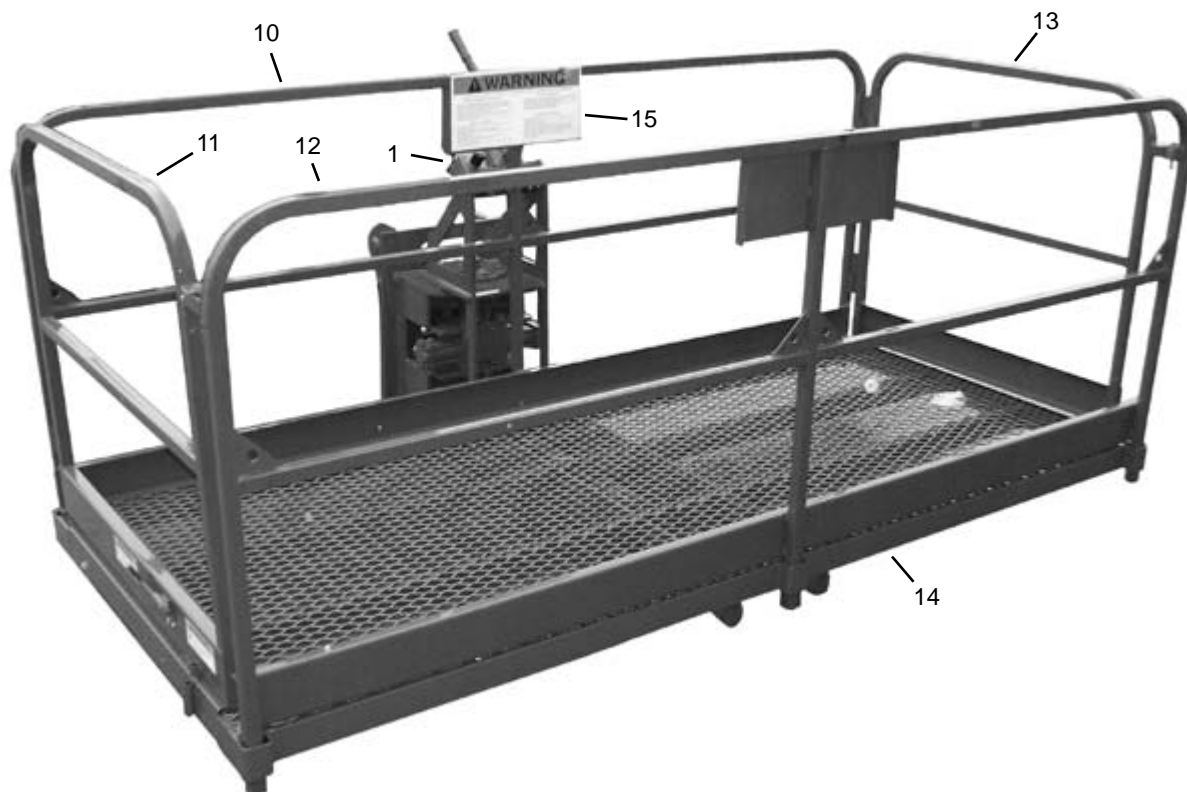
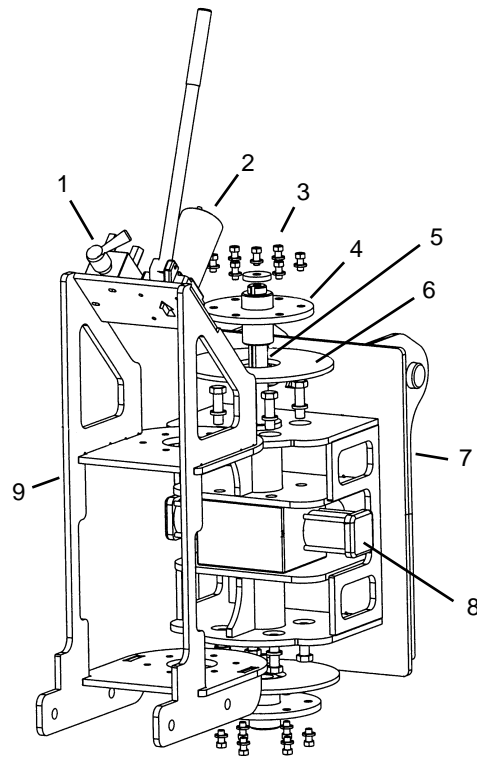
Ref. No.	Part No.	Description	Qty. Req.	Ref. No.	Part No.	Description	Qty. Req.
01	105176	CARRIAGE WELDMENT	1	17	105188	HOSE, -6 A6/E8 46"	1
02	650500	BOLT, 3/4"X1-1/2"	2	18	105187	HOSE, -6 A6/E8 80"	1
03	L50158	WASHER, 3/4" LOCK	2	19	105189	HOSE, -6 A6/A6 32"	1
04	105180	SHAFT PLATE	1	20	105177	BACK BRACKET WELDMENT	1
05	105179	FORK SHAFT, 2"	1	21	105186	NUT, 7/8"-9 NYLON INSERT	4
06	<i>Note a</i>	FORK	2	22	650416	BOLT, 3/4"X2-1/2"	2
07	103904	BOLT, 1"X2-14" GR8	AR	23	L50519	NUT, 3/4" NYLON INSERT	2
08	L50162	WASHER, 1" LOCK	AR	24	105184	BOLT, 7/8"-9X7" GR5	4
09	L50842	BOLT, 5/16"X1-1/2"	1	25	105178	ACTUATOR	1
10	L69833	TOP PLATE	1	26	105182	PILOT CHECK VALVE	2
11	L69832	CUSHION, 5/8" DOUBLE	1		105190	SEAL KIT	AR
12	L50053	NUT, 1/4"	2	27	L65273	COUPLER SET	1
13	L50139	WASHER, 1/4" LOCK	2				
14	L50452	BOLT, 1/4"X2-1/4"	2				
15	L444002	ADAP., -6JICM -6ORM STR.	4				
16	105181	VALVE, FLOW CONTROL	1				

a Use any fork with a 2" diameter shaft. Refer to the Fork section, under Attachments, in this manual for a listing of fork part numbers.

Attachments

180° Swing Platform

RS6-42/RS8-42/44



Telescopic Handler

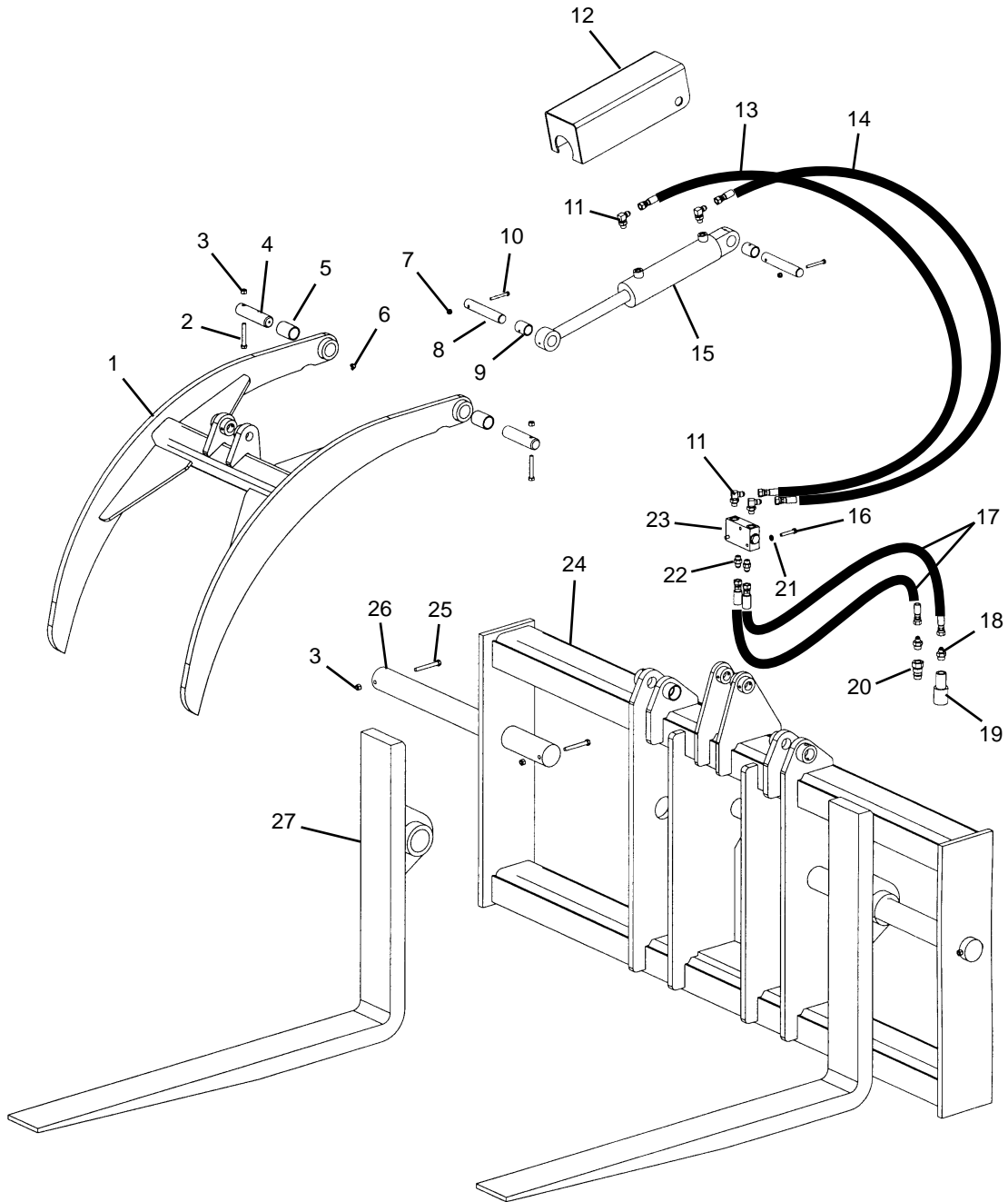
Attachments 180° Swing Platform

Ref. No.	Part No.	Description	Qty. Req.	Ref. No.	Part No.	Description	Qty. Req.
01	104478	VALVE ASSEMBLY	1	15	100883	DECAL, PLATFORM RULES	2
02	104477	PUMP ASSEMBLY	1				
03	104476	HARDWARE KIT (<i>pivot</i>)	1			-- ITEMS NOT SHOWN --	
04	104471	HUB ASSEMBLY	2	00	104470	HOSE KIT	1
05	104469	SHAFT AND KEY ASSEMBLY	1	00	103911	PIN AND CHAIN KIT	1
06	104475	THRUST PLATE	2	00	103910	HARDWARE KIT (<i>platform bolts</i>) ..	1
07	104474	BACK HALF (<i>attachment</i>)	1	00	101149	DECAL, FALL HAZARD	2
08	104468	ACTUATOR	1				
09	104472	FRONT HALF	1			(Loadchart / 180° swing carriage)	
10	103909	BACK SIDE	1	00	103768	LOAD CHART (<i>RS6-42</i>)	1
11	103906	RIGHT DOOR	1	00	103768	LOAD CHART (<i>RS8-42</i>)	1
12	103908	FRONT SIDE	1	00	103768	LOAD CHART (<i>RS8-44</i>)	1
13	103907	LEFT DOOR	1	00	L63634	PLATE/ LOADCHART	2
14	104467	BASE	1				

Attachments

RS6-42/RS8-42/44

Dynattach® Log / Pipe Carriage



Telescopic Handler

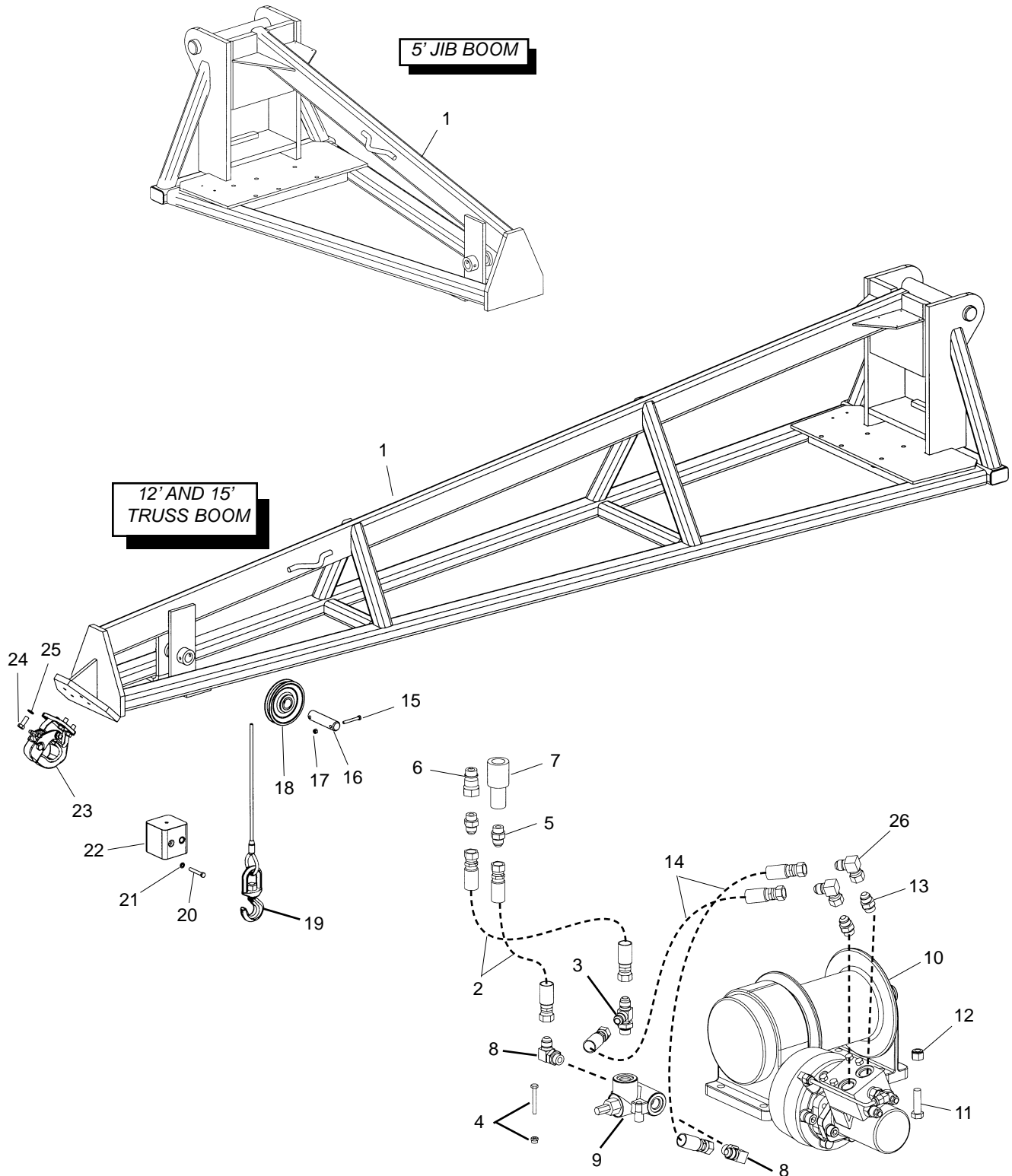
Attachments

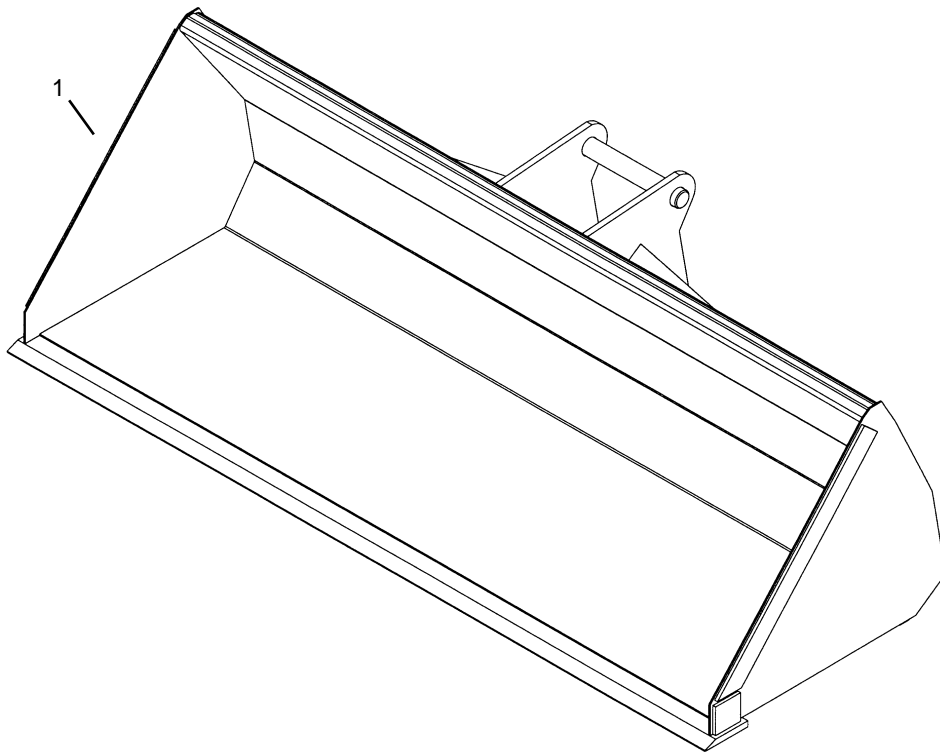
Dynattach® Log / Pipe Carriage

Ref. No.	Part No.	Description	Qty. Req.	Ref. No.	Part No.	Description	Qty. Req.
01	L67347	LOG GRAPPLE WELDMENT	1	15	L67248	LOG GRAPPLE CYLINDER	1
02	L50371	3/8"X2-1/2" BOLT	2	16	L50561	5/16"-18X1-3/4" BOLT	2
03	L520005	3/8"-16 NYLON INSERT NUT	6	17	L66831	HOSE -6 A6/A6 52"	2
04	L67246	LOG GRAPPLE PIVOT PIN	2	18	L63143	ADAP -8ORM -6JICM w/ORF	2
05	L61866	BUSHING	2	19 ^a	NSS	COUPLER, FEMALE	1
06	L10057	1/4-28 GREASE ZERK 90 DEG	2	20 ^a	NSS	COUPLER, MALE	1
07	L520003	1/4" NYLON INSERT NUT	2	21	L50143	5/16" LOCKWASHER	2
08	L66811	GRAPPLE CYLINDER PIN	2	22	L444002	ADAP -6ORM -6JICM	2
09	L63593	BUSHING	2	23	L65689	VALVE, DOUBLE PORT CHECK	1
10	L50452	1/4X2-1/4" BOLT	2	24	L500220	LOG CARRIAGE WELDMENT	1
11	L445003	ADAP -6ORM -6JICM 90 DEG	4	25	L50275	3/8"-16X3" BOLT	4
12	L67495	CYLINDER COVER	1	26	L66809	LOG FORK SHAFT	2
13	L67598	HOSE -4 A6/A6 32"	1	27		LOG FORK WELDMENT	2
14	L67599	HOSE -4 A6/A6 20"	1		L66805	2"x5"x48"	
					100547	2"x5"x60"	

a Order P/N L65273 Coupler Set.

Truss Booms and Winch





Telescopic Handler

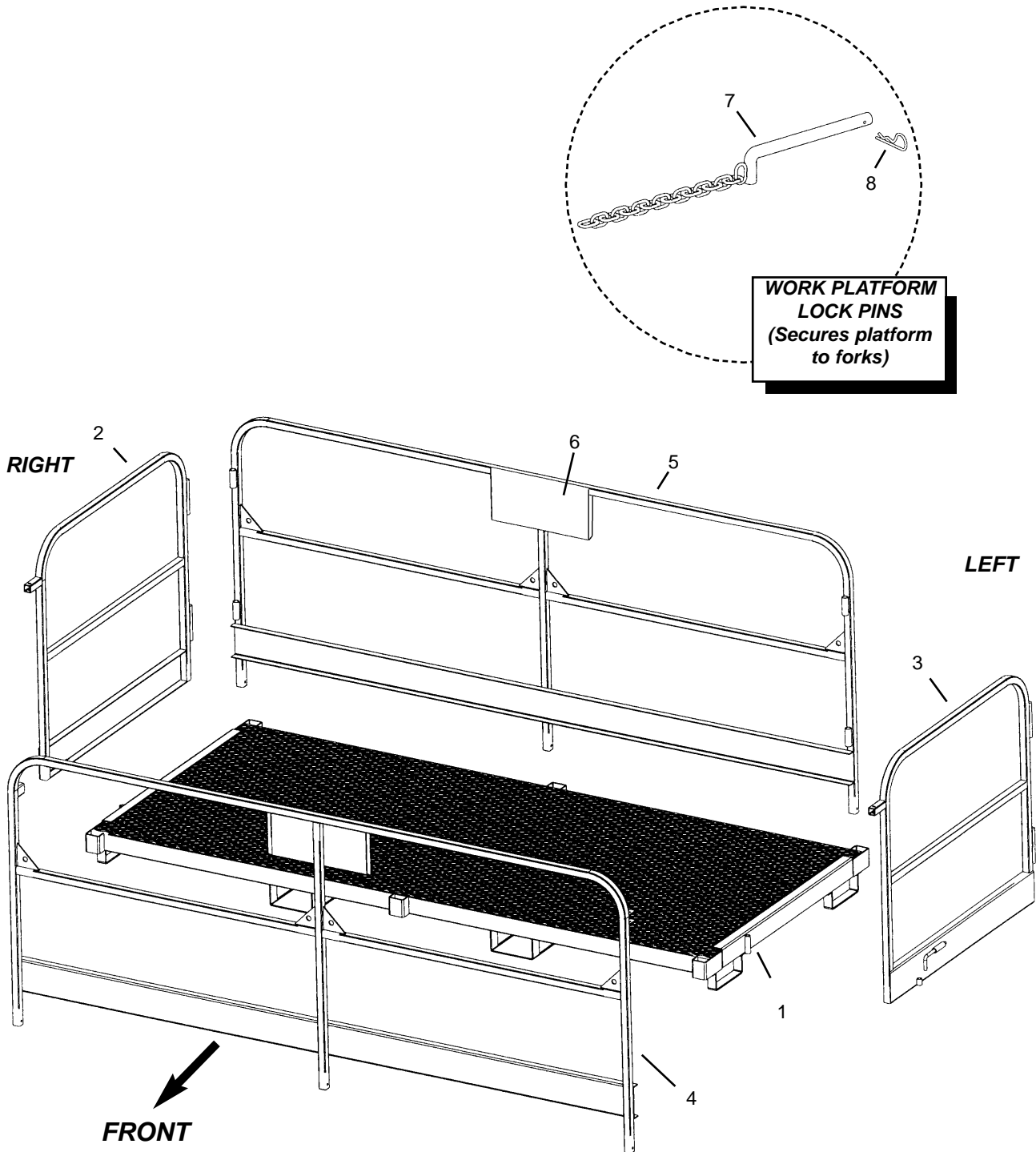
Attachments

Bucket

Ref. No.	Part No.	Description	Qty. Req.	Ref. No.	Part No.	Description	Qty. Req.
01	L500374	1.3 CU. YD. BUCKET WELDMNT .	1				
	L68831	CUTTING EDGE 98" (<i>weld on</i>) . . .	1				
	L42871	1/8" POP RIVET	4				
	NSS	NAME PLATE	1				

Attachments
Work Platform

RS6-42/RS8-42/44



Telescopic Handler

Attachments

Work Platform

Ref. No.	Part No.	Description	Qty. Req.	Ref. No.	Part No.	Description	Qty. Req.
01	103905	BASE	1			-- ITEMS NOT SHOWN --	
02	103906	RIGHT DOOR	1	00	103911	PIN AND CHAIN KIT	1
03	103907	LEFT DOOR	1	00	101149	DECAL, FALL HAZARD	2
04	103908	FRONT SIDE	1	00	103910	HARDWARE KIT	1
05	103909	BACK SIDE	1				
06	100883	DECAL, PLATFORM RULES	2	a		<i>Chain is welded to platform base.</i>	
07 ^a	105845	PIN AND CHAIN ASSY.....	2				
08	076099	HAIRPIN CLIP .148DIAX2-11/16" ..	2				

GENERAL INFORMATION



ALWAYS read and follow the safety precautions on decals. Replace decals if they are damaged, or if the unit is repainted. If repainting, **BE SURE** that all applicable decals are affixed in their proper locations.

Decal locations information is provided to assist in the proper selection and application of new decals, in the event the original decals become damaged or the machine is repainted.

For correct replacement of decals, compare the location illustrations to your machine before starting to refinish the unit. Check off each required decal using the illustration reference number to find the part number, description and quantity in the list. Refer to the appropriate illustrations for replacement locations.

If there is a decal on a part that is to be replaced, be sure that the decal is applied to the replacement part.

NEW DECAL APPLICATION

Before applying the new decals, surfaces must be free from dirt, dust, grease and other foreign material. To apply a solid-formed decal, remove the smaller portion of the decal backing paper and apply this part of the exposed adhesive backing to the clean surface while maintaining proper position and alignment. Slowly peel off the other portion of the backing paper while applying hand pressure to smooth out decal surface. To apply a masked decal, first remove the backing paper. Then, properly orient and position the decal onto the clean mounting surface. After the decal is firmly applied and smoothly pressed down, remove the front covering paper.

PAINT FINISH

Use this list to order paint for refinishing:

167788	One Gallon Yellow
167789	6 (12 oz. Spray Cans) Yellow
167754	One Gallon Gun-Metal Gray
167753	6 (12 oz. Spray Cans) Gun-Metal Gray

Decal Kits

102808	RS8-44 Telescopic Handler without PWP
102809	RS8-44 Telescopic Handler with PWP
102967	RS8-42 Telescopic Handler without PWP
102966	RS8-42 Telescopic Handler with PWP
102810	RS6-42 Telescopic Handler without PWP
102811	RS6-42 Telescopic Handler with PWP

NOTE: *Decals may be purchased in kits or individually.*

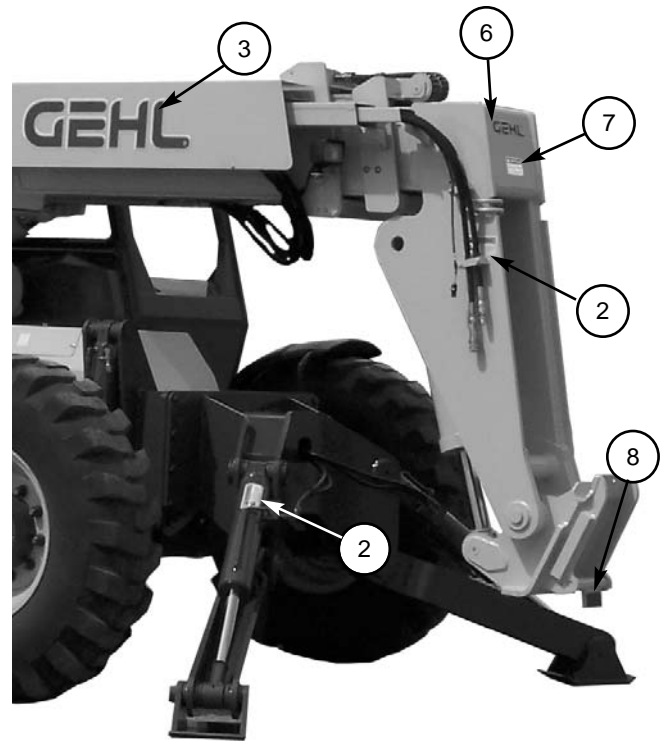
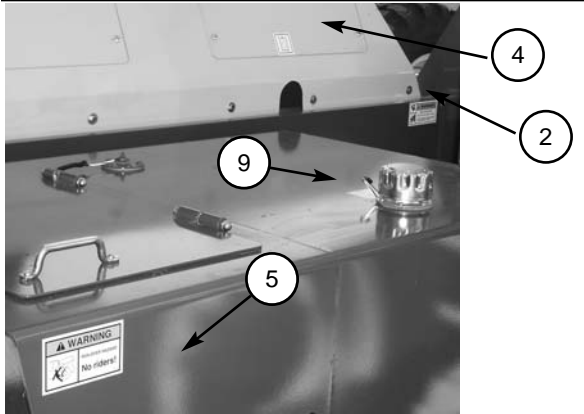
Boom Attachment Decals

L65927	WARNING - PINCH POINT
L65348	WARNING - WINCH
L66042	WARNING - TRUSS BOOM TILT

Decals

RS6-42/RS8-42/44

Various Locations

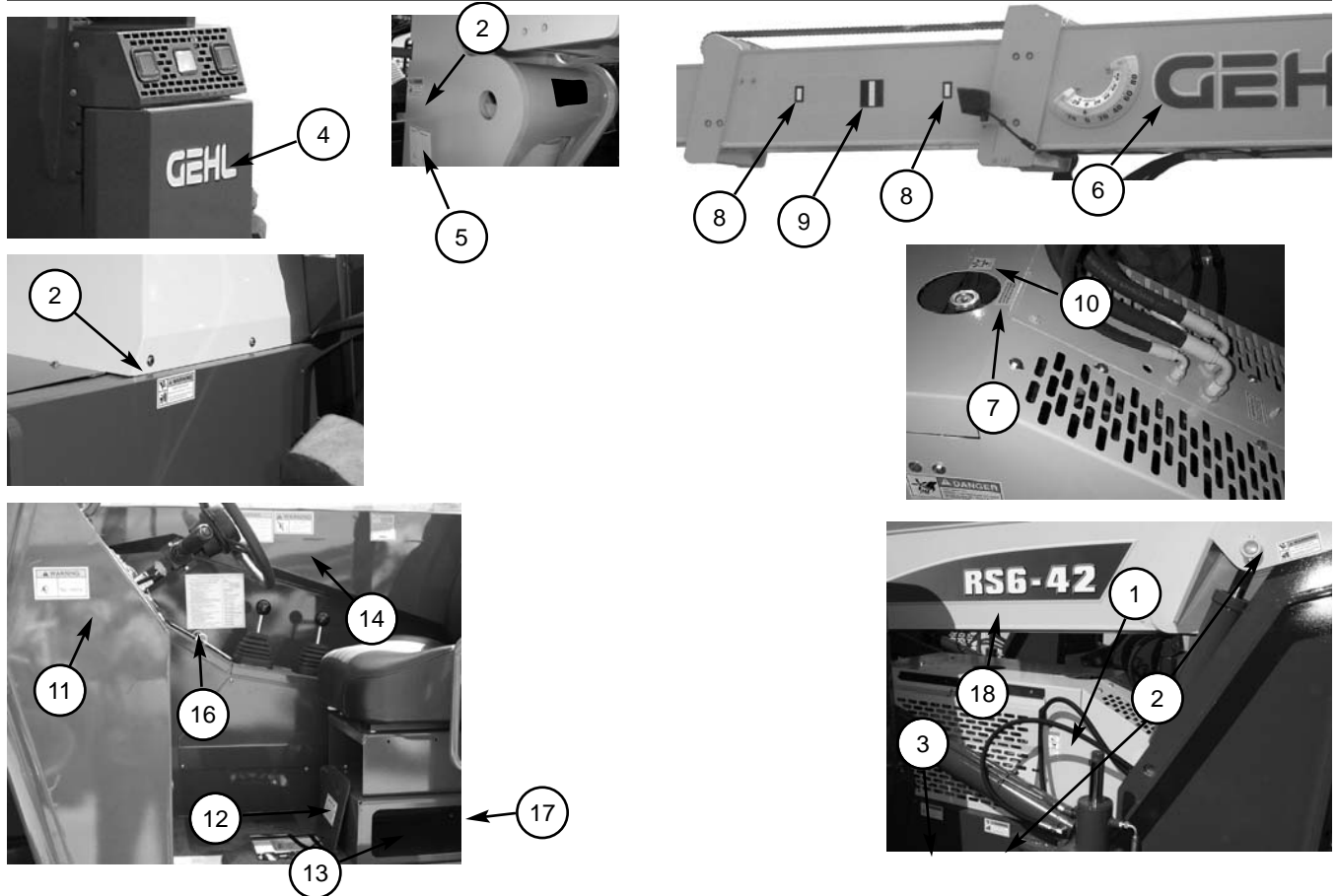


DECAL LOCATIONS - FRAME AND BOOM

REF. NO.	DESCRIPTION	RS8-44 PART NO.	RS8-42 PART NO.	RS6-42 PART NO.
01	DANGER - HANDS OUT	L70305	L70305	L70305
02	WARNING - PINCH POINT	L65927	L65927	L65927
03	GEHL, 8.00"	102025	102025	102025
04	HYDRAULIC OIL FILL	137632	137632	137632
05	WARNING - NO RIDERS	L65932	L65932	L65932
06	GEHL 2.00"	102026	102026	102026
07	DANGER-PERSONNEL INJURY <i>(units without PWP)</i>	L65928	L65928	L65928
08	QUICKATTACH UNLOCKED	L66613	L66613	L66613
09	DIESEL FUEL	137634	137634	137634
10	RS8 or RS6 RH	102805	102917	102803

Telescopic Handler

Decals Various Locations

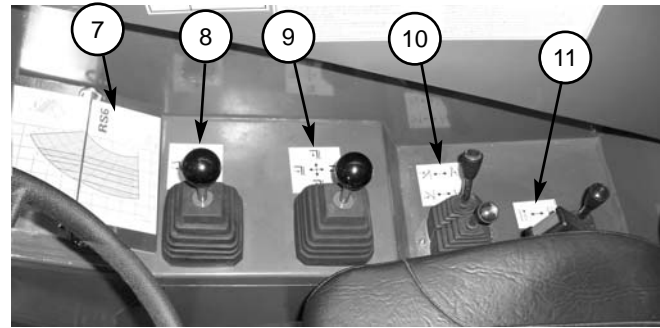
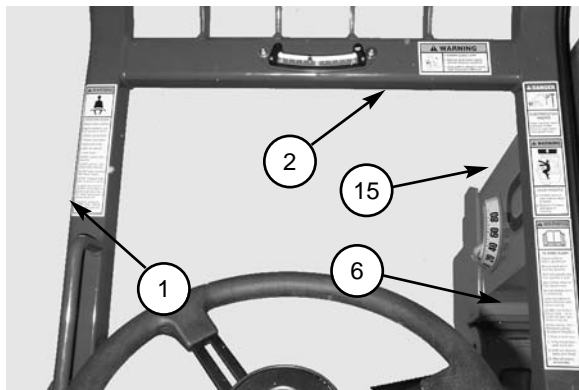


REF. NO.	DESCRIPTION	RS8-44 PART NO.	RS8-42 PART NO.	RS6-42 PART NO.
01	DANGER - HANDS OUT	L70305	L70305	L70305
02	WARNING - PINCH POINT	L65927	L65927	L65927
03	WARNING - JUMP START	L65933	L65933	L65933
04	GEHL, 5.00"	102027	102027	102027
05	QUICKATTACH DIAGRAM	L65937	L65937	L65937
06	GEHL, 8.00"	102025	102025	102025
07	ANTI-FREEZE	056859	056859	056859
08	HALF ZONE MARKER (5 ea.)	L62583	L62583	L62583
09	NO. "1" EXTENSION MARKER (1 ea.) NO. "2" EXTENSION MARKER (1 ea.) NO. "3" EXTENSION MARKER (1 ea.) NO. "4" EXTENSION MARKER (1 ea.) NO. "5" EXTENSION MARKER (1 ea.)	L67719 L67720 L67721 L67722 L67723	L67719 L67720 L67721 L67722 L67723	L67719 L67720 L67721 L67722 L67723
10	COOLANT UNDER PRESSURE	072798	072798	072798
11	WARNING - NO RIDERS	L65932	L65932	L65932
12	BRAKE FLUID	L63474	L63474	L63474
13	OPERATOR MANUAL WARNING	100359	100359	100359
14	DANGER-PERSONNEL INJURY (<i>units without PWP</i>)	L65928	L65928	L65928
16	LUBE CHART	102801	102801	102801
17	ROPS & FOPS CERTIFICATION	102800	102800	102800
18	RS8 or RS6 LH	102804	102916	102802

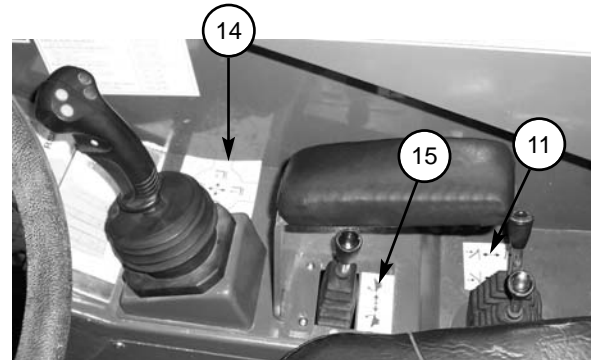
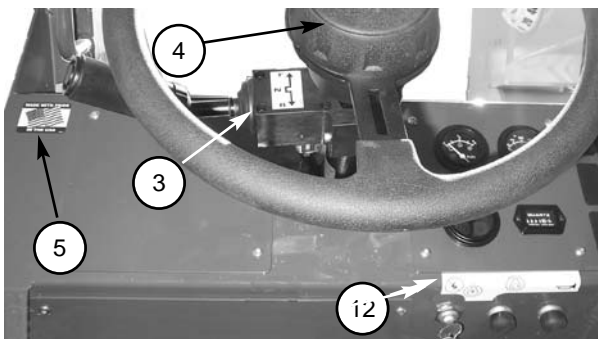
Decals

RS6-42/RS8-42/44

Various Locations

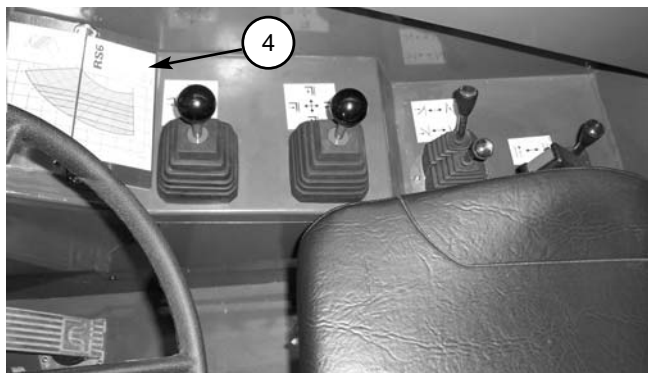
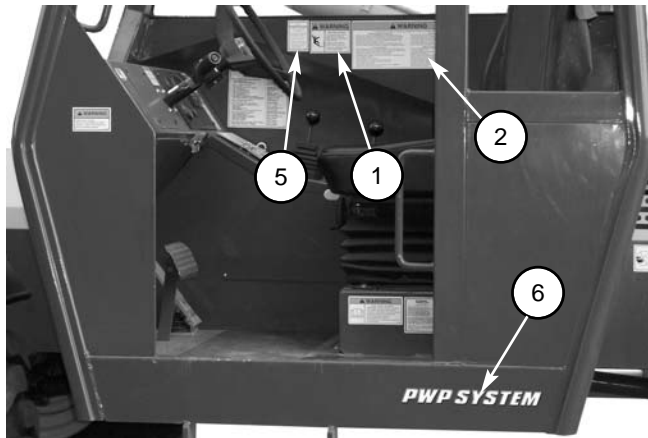


Dual Joystick Control



Tri-function Joystick Control

REF. NO.	DESCRIPTION	RS8-44 PART NO.	RS8-42 PART NO.	RS6-42 PART NO.
01	WARNING-TILT HAZARD/GENERAL OPERATOR	L70306	L70306	L70306
02	WARNING - CARRY LOAD LOW	L65926	L65926	L65926
03	F-N-R SHIFT	L68295	L68295	L68295
04	STEERING WHEEL 2.0" DIA. (early models only)	101545	101545	101545
05	MADE IN USA	140516	140516	140516
06	WARNING - PARK BRAKE/SEAT BELT	101506	101506	101506
07	STANDARD CARRIAGE LOAD CHART	102795	102918	102790
	ROTATING CARRIAGE LOAD CHART	102796	102919	102791
	BUCKET LOAD CHART	102797	102920	102792
	TRUSS BOOM LOAD CHART	102798	102921	102793
08	WINCH LOAD CHART	102799	102922	102794
09	SWING CARRIAGE LOAD CHART	102806	102923	NA
	180° SWING CARRIAGE	103770	103769	103768
	ATTACHMENT TILT/FRAME LEVEL	L63632	L63632	L63632
	BOOM CONTROL	L63631	L63631	L63631
10	OUTRIGGER CONTROL (Optional)	101658	101658	101658
11	AUXILIARY HYDRAULIC CONTROL (Optional)	102718	102718	102718
12	IGNITION/START/HORN	102717	102717	102717
13	DANGER-HI VOLT./MOVING PARTS	L70307	L70307	L70307
14	JOYSTICK CONTROL	104215	104215	104215
15	FRAME LEVEL	L63311	L63311	L63311



DECAL LOCATIONS - PWP EQUIPPED UNITS

REF. NO.	DESCRIPTION	RS8-44 PART NO.	RS8-42 PART NO.	RS6-42 PART NO.
01	WARNING-PERSONNEL LIFT	L71554	L71554	L71554
02	WARNING-WORK PLATFORM RULES	L71555	L71555	L71555
03	PERSONNEL LIFT SAFETY RULES	L71700	L71700	L71700
04	PWP LOAD CHART	102788	102924	102787
05	PWP SWITCH	102969	102969	102969
06	PWP SYSTEM	103028	103028	103028

Note: For decals attached to the Work Platform, refer to the Attachments section of this parts manual.

Part No.	Page No.	Ref. No.	Part No.	Page No.	Ref. No.	Part No.	Page No.	Ref. No.	Part No.	Page No.	Ref. No.
0056859	7	07	101963	45	23	102313	173	13	102434	173	02
056859	265	07	101999	247	18	102313	175	18	102434	175	02
067847	17	14	102025	264	03	102313	177	13	102434	177	02
072340	19	15	102025	265	06	102313	179	13	102434	179	02
072798	265	10	102026	264	06	102313	181	13	102434	181	02
076099	261	08	102027	265	04	102313	183	07	102434	233	00
080313	210	05	102063	67	04	102313	185	14	102435	31	07
080319	211	05	102072	63	17	102313	187	07	102435	147	01
080319	212	04	102122	95	23	102313	189	17	102435	149	02
081379	45	21	102122	97	24	102313	191	18	102435	151	02
089069	21	19	102123	95	23	102313	193	20	102435	153	02
089070	21	19	102123	97	25	102313	219	01	102435	155	02
100008	95	04	102132	117	03	102321	49	02	102435	161	14
100011	97	08	102132	121	03	102321	153	20	102435	165	15
100071	29	10	102173	7	04	102321	155	23	102435	171	16
100076	257	16	102190	95	14	102321	167	10	102435	173	18
100102	23	10	102190	137	15	102321	169	14	102435	179	16
100359	265	13	102190	139	19	102321	171	14	102435	181	18
100547	255	27	102191	95	11	102321	173	14	102435	183	02
100631	249	19	102191	137	14	102321	175	16	102435	185	02
100883	253	15	102194	47	12	102321	177	14	102435	187	02
100883	261	06	102199	69	17	102321	179	14	102435	189	02
100963	257	10	102200	53	12	102321	181	14	102435	191	02
101003	247	16	102200	55	07	102321	187	08	102435	193	02
101055	125	01	102201	53	15	102321	189	16	102435	237	00
101149	253	00	102201	55	08	102321	191	16	102436	163	14
101149	261	00	102211	69	23	102321	193	19	102436	165	14
101278	19	04	102212	69	12	102321	221	00	102436	169	16
101351	125	13	102245	119	10	102335	109	01	102436	173	19
101436	17	22	102246	119	10	102335	127	12	102436	177	16
101463	45	27	102247	199	00	102356	145	23	102436	181	19
101495	13	20	102272	95	21	102356	147	08	102436	185	03
101506	266	06	102272	139	18	102356	149	14	102436	189	03
101545	266	04	102281	107	01	102356	151	14	102436	193	03
101567	45	02	102281	111	01	102356	153	14	102436	195	25
101658	39	00	102282	113	01	102356	155	14	102436	235	00
101658	266	10	102282	117	01	102356	225	00	102438	103	47
101667	37	05	102283	121	01	102371	125	15	102445	131	04
101712	23	04	102284	107	01	102408	48	01	102491	9	28
101717	13	17	102284	111	01	102419	195	14	102498	141	03
101719	17	19	102285	113	01	102419	229	00	102498	214	01
101727	11	13	102285	117	01	102420	135	18	102505	45	01
101792	17	20	102286	121	01	102420	145	23	102506	45	06
101877	21	33	102288	111	05	102420	147	08	102516	127	25
101877	27	10	102313	97	18	102420	151	14	102517	127	24
101879	47	27	102313	141	09	102420	155	14	102521	195	21
101880	27	09	102313	149	09	102420	227	01	102524	47	06
101880	143	01	102313	151	09	102423	41	04	102525	47	05
101880	216	01	102313	153	09	102431	43	06	102529	35	08
101924	53	03	102313	155	09	102434	147	02	102530	35	05
101926	57	12	102313	159	07	102434	159	02	102534	35	15
101926	59	18	102313	161	13	102434	161	02	102535	59	14
101954	45	22	102313	163	13	102434	163	02	102540	127	15
101955	45	23	102313	165	13	102434	165	02	102541	127	07
101960	45	23	102313	167	09	102434	167	02	102543	203	00
101961	45	22	102313	169	13	102434	169	02	102544	203	00
101962	45	22	102313	171	13	102434	171	02	102551	129	11

Telescopic Handler

Numerical Index

Part No.	Page No.	Ref. No.	Part No.	Page No.	Ref. No.	Part No.	Page No.	Ref. No.	Part No.	Page No.	Ref. No.
102552	135	11	102623	104	07	102775	131	23	102786	193	13
102559	9	01	102624	104	09	102776	67	27	102786	193	21
102566	39	08	102624	105	16	102778	9	20	102787	267	04
102569	95	08	102625	104	10	102779	37	01	102788	267	04
102572	23	00	102626	104	11	102781	37	04	102790	266	07
102573	99	03	102626	105	15	102782	37	02	102791	266	07
102574	99	04	102627	104	12	102783	27	05	102793	266	07
102575	99	06	102627	105	14	102784	147	03	102794	266	07
102575	103	25	102628	104	13	102784	159	01	102795	266	07
102576	99	07	102628	105	13	102784	161	01	102796	266	07
102576	103	24	102629	104	16	102784	163	01	102797	266	07
102577	99	10	102629	105	11	102784	165	01	102798	266	07
102577	213	01	102630	104	17	102784	167	01	102799	266	07
102578	99	11	102631	104	18	102784	169	01	102800	265	17
102579	101	03	102632	104	19	102784	171	01	102801	265	16
102580	101	03	102632	105	08	102784	173	01	102802	265	18
102581	103	02	102633	104	20	102784	175	01	102803	264	10
102582	103	03	102634	104	21	102784	177	01	102804	265	18
102583	103	50	102635	104	24	102784	179	01	102805	264	10
102584	103	04	102636	104	24	102784	181	01	102806	266	07
102586	103	11	102637	104	24	102784	231	00	102807	135	18
102587	95	07	102638	104	25	102785	35	04	102807	145	23
102587	103	51	102638	105	05	102786	149	04	102807	147	08
102588	103	12	102639	104	26	102786	151	04	102807	151	14
102589	103	13	102639	105	06	102786	153	04	102807	155	14
102590	103	18	102642	105	07	102786	155	04	102807	227	00
102591	103	19	102644	105	01	102786	159	09	102808	263	00
102592	103	20	102645	21	00	102786	161	11	102809	263	00
102593	103	21	102647	23	00	102786	163	11	102810	263	00
102594	103	22	102649	21	00	102786	165	11	102811	263	00
102595	103	23	102649	27	00	102786	167	05	102813	47	32
102598	103	26	102654	69	22	102786	167	08	102813	195	18
102599	103	27	102657	9	21	102786	169	08	102814	195	10
102600	103	28	102674	231	04	102786	169	10	102815	195	09
102601	103	29	102680	17	03	102786	171	08	102831	145	19
102602	103	30	102681	17	04	102786	171	11	102831	145	24
102603	103	31	102682	11	12	102786	173	08	102831	147	07
102604	103	32	102683	9	03	102786	173	11	102832	135	08
102605	103	33	102684	9	12	102786	175	06	102832	145	13
102606	103	34	102684	11	09	102786	175	08	102832	145	29
102607	103	35	102685	15	07	102786	175	15	102833	129	07
102608	103	40	102686	15	01	102786	177	08	102833	135	07
102609	103	41	102692	9	24	102786	177	10	102834	141	05
102610	103	43	102705	17	02	102786	179	08	102835	141	15
102611	103	43	102706	11	11	102786	179	11	102835	143	06
102612	103	43	102707	9	02	102786	181	08	102836	141	13
102614	103	45	102708	9	16	102786	181	11	102836	143	24
102615	103	46	102708	11	10	102786	183	08	102837	143	09
102616	103	48	102709	15	06	102786	185	13	102838	141	11
102617	104	01	102710	109	04	102786	187	06	102838	145	01
102618	104	02	102711	15	03	102786	187	09	102839	97	06
102619	104	03	102712	15	10	102786	189	10	102840	33	12
102620	104	04	102717	266	12	102786	189	13	102840	97	12
102621	104	05	102718	266	11	102786	191	06	102841	33	08
102621	105	19	102727	9	18	102786	191	15	102841	97	22
102622	104	06	102728	9	17	102786	191	19	102842	33	07
102622	105	02	102741	37	03	102786	193	10	102842	97	05

Part No.	Page No.	Ref. No.	Part No.	Page No.	Ref. No.	Part No.	Page No.	Ref. No.	Part No.	Page No.	Ref. No.
102843	47	17	102860	139	27	102955	91	06	103073	229	10
102843	159	06	102861	45	34	102956	91	07	103076	229	12
102843	161	12	102861	53	00	102957	91	10	103077	237	01
102843	163	12	102861	55	00	102958	91	11	103078	235	03
102843	165	12	102863	101	22	102959	91	12	103078	237	03
102843	167	06	102873	137	09	102964	47	33	103079	231	08
102843	169	12	102873	139	01	102965	47	35	103079	233	07
102843	171	12	102873	145	04	102966	263	00	103079	235	04
102843	173	12	102874	17	01	102967	263	00	103079	237	04
102843	175	07	102876	197	00	102969	267	05	103080	231	09
102843	177	12	102877	139	29	102974	59	16	103080	233	08
102843	179	12	102877	222	01	103011	199	02	103080	235	05
102843	181	12	102878	196	08	103013	13	00	103080	237	05
102843	183	09	102878	197	11	103014	17	00	103081	235	01
102843	185	12	102878	222	02	103017	219	02	103082	235	06
102843	187	13	102880	9	09	103018	214	02	103083	237	06
102843	189	12	102881	9	13	103028	267	06	103084	235	02
102843	191	08	102882	19	17	103033	25	01	103084	237	02
102843	193	12	102883	37	07	103036	25	05	103086	227	03
102844	145	16	102886	17	21	103045	225	20	103087	227	05
102845	145	15	102889	203	04	103045	225	22	103088	59	09
102846	143	07	102890	203	08	103046	225	12	103099	21	23
102847	97	11	102893	103	15	103046	225	15	103099	21	27
102847	143	08	102896	103	52	103047	225	17	103099	21	28
102848	97	10	102897	105	09	103048	225	10	103100	21	29
102848	143	15	102898	105	18	103049	225	04	103100	21	30
102849	67	23	102899	103	53	103049	229	04	103100	21	31
102849	145	20	102900	103	37	103050	225	03	103100	21	32
102850	63	22	102901	17	12	103050	229	03	103101	23	00
102850	67	26	102907	25	01	103051	225	02	103104	21	00
102850	67	30	102912	13	11	103052	225	07	103104	21	34
102850	69	02	102913	13	09	103052	225	11	103112	231	02
102850	69	15	102916	265	18	103052	225	16	103112	233	02
102853	127	18	102917	264	10	103052	225	21	103113	231	03
102853	127	19	102918	266	07	103052	227	04	103113	233	03
102853	145	06	102919	266	07	103052	229	07	103114	231	05
102853	145	33	102921	266	07	103053	225	06	103114	233	04
102854	129	08	102922	266	07	103053	225	09	103115	231	06
102854	145	12	102924	267	04	103053	225	14	103115	233	05
102854	145	30	102925	13	00	103053	225	19	103116	231	07
102855	133	09	102926	53	00	103053	227	02	103116	233	06
102855	133	10	102926	55	00	103053	229	06	103117	231	10
102855	145	09	102928	17	15	103054	225	01	103117	233	09
102855	145	31	102944	25	03	103055	225	05	103118	213	02
102856	133	08	102945	25	04	103056	225	08	103122	231	01
102856	133	11	102946	47	15	103057	225	13	103122	233	01
102856	145	08	102946	191	10	103058	225	18	103151	222	04
102856	145	32	102946	193	14	103059	225	25	103152	222	05
102857	131	21	102948	17	20	103060	229	02	103158	67	22
102857	131	25	102949	73	10	103061	225	23	103179	13	00
102858	131	08	102950	91	01	103062	225	26	103180	13	00
102858	131	20	102951	91	02	103068	225	24	103188	9	29
102858	139	06	102952	91	03	103068	229	09	103192	23	00
102858	139	11	102952	91	08	103069	229	11	103194	145	22
102859	131	10	102953	91	04	103070	229	01	103194	147	09
102859	131	11	102954	91	05	103071	229	05	103194	149	19
102860	137	08	102954	91	09	103072	229	08	103194	151	22

Telescopic Handler

Numerical Index

Part No.	Page No.	Ref. No.	Part No.	Page No.	Ref. No.	Part No.	Page No.	Ref. No.	Part No.	Page No.	Ref. No.
103194	153	19	103892	45	05	104270	202	01	104885	65	22
103194	155	22	103904	251	07	104273	196	05	104929	65	01
103194	195	06	103905	261	01	104273	204	05	104930	65	02
103195	29	13	103906	253	11	104273	208	05	104931	65	03
103208	45	06	103906	261	02	104303	45	17	104932	63	27
103221	21	24	103907	253	13	104304	31	02	104932	65	04
103221	21	25	103907	261	03	104304	239	12	104950	21	00
103221	21	26	103908	253	12	104341	53	00	104951	21	00
103271	59	12	103908	261	04	104341	55	00	104952	21	00
103318	149	06	103909	253	10	104379	196	00	104961	41	01
103318	151	06	103909	261	05	104380	198	00	104973	11	20
103318	153	06	103910	253	00	104381	206	00	104974	11	19
103318	155	06	103910	261	00	104382	204	00	104976	61	10
103318	187	14	103911	253	00	104383	202	00	104978	61	07
103318	189	18	103911	261	00	104384	202	00	104981	53	06
103318	191	20	103991	45	19	104385	200	00	104985	51	00
103318	193	22	104022	33	11	104386	208	00	104987	198	01
103359	27	01	104064	49	00	104425	69	01	104988	204	01
103371	9	30	104078	49	03	104428	33	01	104989	208	01
103389	9	19	104083	31	01	104428	33	04	104990	206	01
103413	157	08	104083	149	01	104431	99	18	104991	200	01
103413	223	00	104083	151	01	104436	63	25	104992	202	04
103424	51	00	104083	153	01	104439	43	21	104993	202	04
103475	51	05	104083	155	01	104440	43	12	104994	200	08
103476	51	06	104083	183	01	104441	43	02	104995	202	00
103479	51	01	104083	185	01	104449	65	17	104996	202	00
103480	51	03	104083	187	01	104450	65	16	104999	198	05
103482	51	02	104083	189	01	104451	65	09	105000	200	05
103505	157	03	104083	191	01	104452	65	12	105001	202	08
103505	175	09	104083	193	01	104453	53	25	105002	206	04
103505	177	20	104083	239	00	104454	63	03	105003	196	03
103505	179	20	104132	141	07	104455	63	06	105006	198	04
103505	181	23	104132	143	22	104456	65	10	105007	200	06
103505	191	09	104132	218	00	104457	43	07	105008	202	06
103505	193	16	104133	218	01	104458	63	26	105009	206	03
103508	223	01	104214	31	06	104460	61	03	105010	200	07
103509	223	03	104215	266	14	104464	57	16	105022	202	05
103510	223	02	104216	149	00	104467	253	14	105023	202	07
103511	223	01	104216	151	00	104468	253	08	105024	200	03
103512	223	03	104216	153	00	104469	253	05	105025	198	03
103513	223	00	104216	155	00	104470	253	00	105026	198	00
103514	223	00	104216	220	07	104471	253	04	105027	198	00
103517	247	01	104220	151	21	104472	253	09	105028	198	08
103518	247	01	104220	155	21	104474	253	07	105029	204	08
103582	31	04	104221	151	20	104475	253	06	105030	196	09
103626	55	06	104221	155	20	104476	253	03	105031	202	10
103674	9	03	104222	41	05	104477	253	02	105032	202	10
103708	31	11	104223	239	09	104478	253	01	105033	200	11
103744	51	00	104225	41	14	104675	51	07	105034	206	09
103768	253	00	104231	99	05	104688	9	00	105035	208	09
103768	253	00	104245	196	01	104812	208	02	105036	200	04
103768	253	00	104251	196	10	104813	198	02	105036	206	05
103768	266	07	104260	196	04	104813	208	07	105037	41	02
103769	266	07	104260	204	04	104820	196	08	105039	41	03
103770	266	07	104260	208	04	104820	197	11	105059	57	06
103788	99	17	104265	204	03	104820	222	02	105070	7	01
103841	133	18	104265	208	03	104846	11	15	105070	57	03

Part No.	Page No.	Ref. No.	Part No.	Page No.	Ref. No.	Part No.	Page No.	Ref. No.	Part No.	Page No.	Ref. No.
105071	7	02	105653	131	17	651641	17	06	L444002	163	03
105071	57	04	105654	131	18	651643	17	10	L444002	165	03
105072	57	18	105691	63	12	656013	65	18	L444002	167	03
105073	57	00	105800	41	16	L10057	119	01	L444002	169	03
105075	57	11	105817	53	10	L10057	205	09	L444002	171	03
105076	57	15	105818	7	09	L10057	255	06	L444002	173	03
105087	219	11	105819	7	10	L10465	35	10	L444002	175	03
105123	67	32	105820	61	00	L10465	119	21	L444002	177	03
105128	43	08	105845	261	07	L10465	125	02	L444002	179	03
105128	131	22	105974	7	08	L10465	202	02	L444002	181	03
105131	67	37	105975	7	07	L10465	203	02	L444002	183	03
105133	67	15	134756	47	26	L10465	205	01	L444002	185	04
105133	67	38	136305	25	06	L10465	207	14	L444002	187	03
105149	15	00	136383	59	00	L10465	209	02	L444002	189	04
105175	65	11	136443	59	06	L10465	211	06	L444002	191	03
105176	251	01	137498	7	01	L120041	57	14	L444002	193	04
105177	251	20	137498	59	03	L120041	59	15	L444002	195	24
105178	251	25	137501	7	02	L120047	61	05	L444002	251	15
105179	251	05	137501	59	04	L400207	109	07	L444002	255	22
105180	251	04	137503	25	09	L400207	119	02	L444003	195	12
105181	251	16	137632	264	04	L400207	127	10	L444004	39	13
105182	251	26	137634	264	09	L400398	257	14	L444004	131	07
105184	251	24	137659	57	02	L400425	243	03	L444004	139	05
105186	251	21	137659	59	02	L400425	245	03	L444004	143	03
105187	251	18	140516	266	05	L400425	247	24	L444004	247	06
105188	251	17	167753	263	00	L400425	249	02	L444004	257	05
105189	251	19	167754	263	00	L400929	241	05	L444005	33	06
105190	251	26	167788	263	00	L40805	63	29	L444007	69	03
105192	53	08	167789	263	00	L40805	65	07	L444008	257	13
105192	65	06	183629	57	19	L40805	67	00	L444010	129	23
105192	65	15	183629	59	11	L41179	53	02	L444011	135	16
105193	53	09	210137	65	25	L41179	55	02	L444012	143	21
105193	65	14	210138	65	23	L41261	27	02	L444012	157	04
105202	95	04	210144	65	21	L41847	21	00	L444070	69	01
105214	61	01	210170	29	01	L41847	41	13	L445001	47	31
105236	27	07	210171	65	24	L41848	21	18	L445001	127	06
105281	55	20	210175	29	02	L41854	45	14	L445001	133	17
105287	35	26	210050	65	00	L42871	257	01	L445001	141	06
105502	35	25	650416	251	22	L442023	47	13	L445001	145	11
105523	43	13	650484	63	08	L443011	135	10	L445001	195	23
105524	43	14	650486	43	03	L443012	129	10	L445002	133	12
105554	19	19	650487	43	09	L443012	131	09	L445002	137	07
105563	63	05	650500	251	02	L444001	69	24	L445002	139	23
105569	43	01	650588	17	17	L444001	127	20	L445002	257	08
105571	21	00	650711	109	02	L444001	141	10	L445003	47	19
105571	53	00	650711	127	11	L444001	145	07	L445003	97	16
105573	21	00	650730	17	11	L444002	47	20	L445003	143	12
105573	35	00	650810	43	04	L444002	97	17	L445003	149	07
105573	53	00	650810	63	07	L444002	141	12	L445003	151	07
105618	21	00	650810	107	04	L444002	143	13	L445003	153	07
105618	55	00	650833	249	11	L444002	147	04	L445003	155	07
105620	21	00	651271	107	06	L444002	149	10	L445003	159	08
105620	21	20	651543	95	15	L444002	151	10	L445003	161	06
105623	63	20	651638	17	05	L444002	153	10	L445003	163	06
105624	63	19	651639	15	09	L444002	155	10	L445003	165	06
105636	19	18	651641	11	06	L444002	159	03	L445003	167	11
105638	67	19	651641	15	08	L444002	161	03	L445003	169	06

Telescopic Handler

Numerical Index

Part No.	Page No.	Ref. No.	Part No.	Page No.	Ref. No.	Part No.	Page No.	Ref. No.	Part No.	Page No.	Ref. No.
L445003	171	06	L44859	35	11	L500370	212	06	L500527	104	14
L445003	173	06	L450002	67	31	L500371	239	01	L500527	105	10
L445003	175	17	L45934	67	03	L500374	259	01	L50053	251	12
L445003	177	06	L46865	141	03	L500407	77	07	L500536	104	15
L445003	179	06	L46865	214	01	L500407	85	23	L500536	105	12
L445003	181	06	L47212	63	24	L500408	85	22	L500539	99	09
L445003	183	06	L47212	67	14	L500409	77	16	L500539	213	01
L445003	185	08	L47263	241	06	L500409	85	24	L500542	95	20
L445003	187	05	L47265	241	07	L500410	85	01	L500542	99	12
L445003	189	08	L47270	95	01	L500411	85	02	L500543	95	16
L445003	191	05	L48179	35	07	L500412	85	04	L500543	99	13
L445003	191	17	L48805	127	05	L500413	85	19	L500544	95	17
L445003	193	08	L48868A	200	09	L500414	85	20	L500544	99	14
L445003	249	21	L48868A	201	08	L500451	99	02	L50056	35	03
L445003	255	11	L48868A	210	08	L500457	101	01	L50056	43	20
L445004	249	18	L49327	47	00	L500459	101	02	L50056	111	03
L445005	45	32	L49618	119	05	L500460	101	02	L50056	249	28
L445005	97	21	L49619	119	06	L500461	101	02	L500582	203	05
L445006	139	03	L500001	13	02	L500462	101	02	L500606	23	09
L445006	145	03	L500004	13	18	L500464	101	05	L50061	45	29
L445010	141	02	L500019	11	16	L500465	101	06	L50061	95	05
L445011	63	13	L500020	9	07	L500466	101	07	L50061	107	10
L446017	97	09	L500021	9	08	L500467	101	08	L500652	239	06
L446017	195	01	L500021	11	05	L500467	103	14	L500653	239	11
L446017	257	26	L500021	15	04	L500468	101	09	L500656	239	04
L446019	133	16	L500021	17	08	L500469	101	10	L500688	239	03
L446019	145	10	L500022	9	06	L500470	101	11	L500689	239	05
L446020	69	14	L500024	11	08	L500471	101	12	L500690	239	08
L446025	45	31	L500025	11	14	L500472	101	13	L500692	239	07
L446025	47	24	L500027	11	18	L500473	101	14	L500694	13	19
L446034	127	21	L500028	11	17	L500474	101	15	L500695	13	04
L446044	33	13	L500036	17	16	L500475	101	16	L500696	13	03
L446047	47	25	L500038	15	02	L500476	101	17	L500697	13	15
L446049	149	11	L500038	17	09	L500477	101	17	L500700	13	12
L446049	151	11	L500042	11	04	L500478	101	18	L500701	13	06
L446049	153	11	L500042	15	05	L500480	77	08	L500702	13	11
L446049	155	11	L500042	17	07	L500480	101	23	L500706	13	13
L446049	161	04	L500057	9	04	L500481	101	24	L500707	13	10
L446049	163	04	L500099	13	08	L500483	103	01	L500708	13	05
L446049	165	04	L500111	11	07	L500487	103	05	L500709	13	14
L446049	167	04	L500143	25	10	L500488	103	06	L500711	13	16
L446049	169	04	L500161	25	00	L500489	103	07	L500718	13	01
L446049	171	04	L500163	25	08	L500490	103	10	L500719	13	07
L446049	173	04	L500213	245	01	L500496	95	19	L50072	35	14
L446049	175	04	L500216	249	05	L500496	99	16	L500745	220	01
L446049	177	04	L500218	257	01	L500496	103	16	L500746	220	03
L446049	179	04	L500220	255	24	L500496	104	23	L500747	23	00
L446049	181	04	L500223	257	00	L500496	105	03	L500748	23	00
L446049	183	10	L500225	21	00	L50050	41	08	L500751	205	08
L446049	185	11	L500241	210	09	L50050	43	15	L500751	209	06
L446049	187	12	L500242	210	01	L50050	45	08	L500761	212	03
L446049	189	11	L500273	85	03	L50050	55	23	L500762	212	02
L446049	191	07	L500273	87	03	L50051	9	05	L500763	212	01
L446049	193	11	L500274	89	01	L50051	43	10	L50084	39	07
L446049	249	20	L500339	23	07	L500515	103	36	L50084	43	00
L447005	53	21	L500364	211	01	L500517	103	38	L50084	95	13
L447005	55	18	L500365	211	03	L500518	103	39	L50084	137	16

Part No.	Page No.	Ref. No.	Part No.	Page No.	Ref. No.	Part No.	Page No.	Ref. No.	Part No.	Page No.	Ref. No.
L50084	139	20	L50261	61	04	L50655	41	15	L520005	61	04
L50092	107	26	L50261	113	03	L50667	67	06	L520005	61	07
L50092	119	14	L50261	247	21	L50684	43	00	L520005	67	20
L500968	216	02	L50273	247	08	L50704	69	18	L520005	107	14
L50101	27	04	L50273	249	33	L50705	61	09	L520005	119	09
L50136	107	07	L50275	119	08	L50712	95	10	L520005	195	22
L50137	219	10	L50275	255	25	L50712	137	17	L520005	247	09
L50139	9	14	L50286	45	03	L50712	139	21	L520005	249	32
L50139	219	09	L50286	257	11	L50718	247	22	L520005	255	03
L50139	251	13	L50305	53	13	L50727	69	06	L520007	53	18
L50141	47	09	L50305	55	09	L50755	45	09	L520007	55	13
L50141	195	20	L50313	127	04	L50801	195	13	L520007	69	19
L50143	117	04	L50313	133	02	L50801	247	17	L520019	45	04
L50143	127	23	L50319	53	14	L50815	257	15	L520019	109	12
L50143	129	14	L50319	55	10	L50823	47	08	L520019	125	16
L50143	133	14	L50319	69	16	L50835	107	15	L520019	243	05
L50143	135	02	L50333	43	00	L50835	127	22	L520019	247	23
L50143	249	23	L50333	245	04	L50835	249	12	L520019	249	01
L50143	255	21	L50364	47	04	L50836	95	06	L520019	257	12
L50145	23	02	L50367	61	07	L50842	251	09	L52024	9	11
L50145	35	17	L50367	67	18	L50875	245	07	L52025	9	10
L50145	47	22	L50367	113	07	L50884	135	01	L52025	45	28
L50145	61	04	L50367	123	04	L50892	109	14	L52026	27	08
L50145	61	07	L50371	255	02	L50952	69	08	L52026	107	11
L50145	247	15	L50371	257	20	L50982	247	02	L52048	107	05
L50147	107	20	L50380	107	27	L50986	125	17	L530003	45	24
L50147	113	08	L50380	257	24	L510003	243	04	L530004	43	05
L50147	139	13	L50385	39	06	L510003	247	25	L530004	109	03
L50147	247	20	L50403	37	06	L510003	249	03	L530004	111	06
L50147	257	21	L50403	47	28	L510008	111	04	L54002	9	00
L50150	35	19	L50403	107	24	L510008	117	05	L560003	107	28
L50151	35	06	L50403	115	05	L510041	35	20	L560003	119	11
L50151	61	08	L50403	137	12	L51099	57	17	L560003	123	06
L50152	107	31	L50403	139	12	L51099	59	10	L561004	35	00
L50152	257	25	L50418	41	07	L51590	63	14	L580005	35	13
L50156	127	03	L50418	43	17	L51591	33	05	L580008	55	23
L50158	251	03	L50418	45	08	L51591	97	23	L580009	55	23
L50162	251	08	L50422	63	28	L51591	143	02	L60451	257	22
L50201	95	09	L50452	249	14	L51591	143	19	L60492	61	05
L50202	9	15	L50452	251	14	L51599	129	25	L60492	61	11
L50202	25	07	L50452	255	10	L51621	63	18	L60653	47	36
L50214	43	18	L50468	69	11	L51621	67	24	L60653	97	02
L50217	219	08	L50519	43	00	L51621	145	21	L60653	161	05
L50228	195	19	L50519	109	09	L51781	57	09	L60653	163	05
L50230	67	13	L50519	127	13	L51781	59	08	L60653	165	05
L50230	109	05	L50519	245	02	L51968	139	22	L60653	169	05
L50230	125	12	L50519	251	23	L520003	45	20	L60653	171	05
L50230	129	20	L50538	53	23	L520003	53	04	L60653	173	05
L50235	35	02	L50549	53	24	L520003	249	13	L60653	177	05
L50242	245	10	L50561	249	22	L520003	255	07	L60653	179	05
L50245	133	15	L50561	255	16	L520004	43	22	L60653	181	05
L50251	107	16	L50562	245	17	L520004	107	09	L60653	185	05
L50251	113	11	L50607	35	12	L520004	117	02	L60653	189	05
L50251	115	06	L50608	109	06	L520004	245	12	L60653	193	05
L50253	95	02	L50608	127	08	L520004	257	17	L60653	195	06
L50261	35	16	L50628	35	09	L520005	23	03	L60961	241	08
L50261	47	21	L50646	125	06	L520005	35	18	L60986	33	03

Telescopic Handler

Numerical Index

Part No.	Page No.	Ref. No.	Part No.	Page No.	Ref. No.	Part No.	Page No.	Ref. No.	Part No.	Page No.	Ref. No.
L61001	241	02	L63143	249	07	L63813	9	00	L64661	127	02
L61017	241	03	L63143	255	18	L63813	37	00	L64663	35	00
L61067	9	32	L63222	95	00	L63887	9	27	L64663	55	22
L61092	63	21	L63230	35	01	L63894	21	00	L64664	35	00
L61092	67	25	L63233	249	27	L63894	23	00	L64664	55	21
L61092	141	04	L63276	137	05	L63951	249	34	L64672	45	10
L61092	145	02	L63309	47	14	L63970	211	00	L64673	41	06
L61092	195	11	L63309	141	01	L63970	249	17	L64673	43	16
L61117	45	25	L63311	266	15	L63984	249	10	L64673	45	08
L61307	247	04	L63363	33	15	L63994	249	30	L64695	43	19
L61411	257	23	L63363	35	21	L63995	249	15	L64764	61	04
L61620	47	00	L63363	215	00	L64060	109	13	L64821	61	10
L61699	117	07	L63381	167	12	L64122	210	02	L64853	195	15
L61699	121	11	L63381	169	15	L64124	53	16	L64856	47	30
L61708	107	18	L63381	171	15	L64124	55	11	L64863	59	07
L61708	113	10	L63381	173	15	L64124	69	21	L64864	57	10
L61708	115	01	L63381	175	12	L64132	107	23	L64864	59	17
L61709	107	19	L63381	175	13	L64143	113	06	L64914	39	19
L61709	113	09	L63381	177	15	L64197	53	17	L64963	39	18
L61709	115	09	L63381	179	15	L64197	55	12	L65018	61	03
L61709	123	01	L63381	181	15	L64197	69	20	L65097	125	03
L61709	127	26	L63381	187	10	L64294	247	07	L65098	125	04
L61709	247	19	L63381	189	15	L64294	257	02	L65142	47	10
L61866	255	05	L63381	191	12	L64311	141	08	L65144	47	11
L61867	45	16	L63381	191	13	L64316	127	16	L65180	247	14
L62026	247	10	L63381	193	15	L64316	127	17	L65181	247	03
L62583	265	08	L63383	47	18	L64359	107	26	L65211	47	23
L62715	107	17	L63383	143	05	L64359	119	13	L65223	243	02
L62715	113	02	L63406	63	23	L64360	119	04	L65223	247	26
L62715	115	04	L63406	69	02	L64362	45	23	L65272	200	09
L62715	123	03	L63420	35	00	L64367	137	02	L65272	201	08
L62731	115	02	L63420	55	00	L64367	196	02	L65273	135	17
L62732	115	03	L63468	249	35	L64367	197	08	L65273	247	05
L62733	107	21	L63474	265	12	L64367	203	01	L65273	251	27
L62733	113	04	L63545	25	02	L64384	107	29	L65338	257	18
L62733	115	07	L63546	45	13	L64384	119	18	L65348	263	00
L62733	123	02	L63564	33	10	L64437	55	04	L65570	53	22
L62734	107	22	L63593	211	02	L64443	127	14	L65570	55	00
L62734	113	05	L63593	249	16	L64466	119	12	L65638	107	08
L62734	115	08	L63593	255	09	L64467	119	16	L65640	107	03
L62741	33	14	L63610	19	16	L64467	123	05	L65689	255	23
L62761	239	02	L63629	35	22	L64468	107	30	L65896	43	11
L62840	219	07	L63631	266	09	L64468	119	19	L65926	266	02
L62842	157	07	L63632	266	08	L64524	143	04	L65927	263	00
L62926	35	23	L63634	9	26	L64561	243	02	L65927	264	02
L62933	219	07	L63634	253	00	L64561	247	26	L65927	265	02
L62943	67	21	L63640	19	01	L64561	249	04	L65928	264	07
L630001	45	22	L63651	33	09	L64572	61	06	L65928	265	14
L630004	21	00	L63665	67	12	L64572	61	07	L65932	264	05
L630004	45	00	L63715	129	03	L64590	133	03	L65932	265	11
L63016	137	10	L63715	245	09	L64591	133	04	L65933	265	03
L63016	196	07	L63715	249	24	L64599	47	01	L65937	265	05
L63016	197	02	L63716	245	11	L64599	63	11	L66011	9	22
L63018	131	05	L63716	249	25	L64599	67	17	L66017	137	06
L63018	204	02	L63719	135	03	L64660	141	14	L66017	247	11
L63018	205	03	L63720	135	04	L64660	143	18	L66017	247	13
L63143	245	18	L63756	45	18	L64660	257	03	L66042	263	00

Numerical Index

RS6-42/RS8-42/44

Part No.	Page No.	Ref. No.	Part No.	Page No.	Ref. No.	Part No.	Page No.	Ref. No.	Part No.	Page No.	Ref. No.
L66139	97	01	L68616	53	07	L69756	31	12	L69904	185	06
L66162	33	00	L68616	55	19	L69774	139	10	L69904	185	07
L66265	67	07	L68619	45	33	L69774	198	06	L69904	189	06
L66392	133	13	L68619	53	00	L69774	199	05	L69904	189	07
L66406	241	04	L68619	55	00	L69776	139	09	L69904	193	06
L66437	19	02	L68641	35	24	L69832	129	12	L69904	193	07
L66453	125	18	L68711	217	00	L69832	135	12	L69905	157	01
L66456	125	05	L68772	27	06	L69832	251	11	L69905	175	11
L66515	67	05	L68796	61	00	L69833	129	13	L69905	177	18
L66613	125	07	L68804	157	05	L69833	135	13	L69905	179	18
L66613	264	08	L68807	39	09	L69833	251	10	L69905	181	22
L66709	67	08	L68809	149	05	L69902	157	09	L69905	191	11
L66780	123	07	L68810	195	16	L69902	157	10	L69905	193	17
L66782	123	08	L68810	195	17	L69902	157	15	L69906	157	02
L66783	123	09	L68817	139	02	L69902	157	16	L69906	193	18
L66805	255	27	L68817	145	05	L69903	151	19	L69927	195	07
L66809	255	26	L68831	259	01	L69903	155	19	L69927	195	08
L66811	255	08	L68881	137	11	L69903	159	04	L69928	97	04
L66821	201	00	L68881	139	14	L69903	159	05	L69928	97	07
L66831	255	17	L68882	137	13	L69903	161	08	L69928	97	13
L66918	245	15	L68882	139	15	L69903	161	10	L69936	97	14
L66919	245	05	L69114	95	22	L69903	163	08	L69936	97	15
L66931	245	06	L69127	206	08	L69903	163	10	L69936	143	16
L66946	257	19	L69127	207	09	L69903	165	08	L69936	143	17
L66949	245	20	L69132	206	02	L69903	165	10	L69994	109	08
L66950	245	19	L69138	39	04	L69903	165	16	L69994	127	09
L66958	249	08	L69138	139	17	L69903	165	17	L70039	23	01
L66965	69	05	L69138	199	01	L69903	167	07	L70040	107	13
L67246	255	04	L69138	209	07	L69903	169	11	L70075	21	21
L67248	255	15	L69144	207	00	L69903	171	10	L70075	21	22
L67347	255	01	L69149	205	00	L69903	173	10	L70088	129	26
L67495	255	12	L69166	55	05	L69903	173	16	L70146	45	26
L67598	255	13	L69297	9	23	L69903	173	17	L70200	23	06
L67599	255	14	L69402	9	26	L69903	175	05	L70201	29	07
L67719	265	09	L69449	129	27	L69903	177	11	L70212	29	06
L67720	265	09	L69450	129	28	L69903	179	10	L70225	45	07
L67721	265	09	L69501	117	06	L69903	181	10	L70241	23	00
L67722	265	09	L69511	117	06	L69903	181	16	L70242	107	02
L67723	265	09	L69521	121	06	L69903	181	17	L70274	202	03
L68003	131	19	L69523	121	06	L69903	183	04	L70274	203	03
L68003	204	07	L69524	117	03	L69903	183	05	L70305	264	01
L68003	205	10	L69525	121	03	L69903	185	09	L70305	265	01
L68039	129	04	L69595	27	03	L69903	185	10	L70306	266	01
L68133	45	11	L69601	129	17	L69903	187	04	L70307	266	13
L68134	45	11	L69718	53	19	L69903	189	09	L70420	109	10
L68135	45	12	L69718	55	14	L69903	191	04	L70420	127	12
L68295	266	03	L69724	39	05	L69903	193	09	L70428	33	02
L68331	241	09	L69724	125	11	L69904	47	16	L70428	97	20
L68337	212	00	L69724	129	21	L69904	143	20	L70462	107	13
L68337	245	16	L69725	39	02	L69904	163	07	L70467	57	13
L68496	29	12	L69727	125	10	L69904	163	09	L70502	206	06
L68539	67	11	L69727	129	22	L69904	165	07	L70502	207	10
L68544	61	01	L69734	95	12	L69904	165	09	L70521	63	04
L68545	59	13	L69734	103	49	L69904	169	07	L70614	39	17
L68571	55	03	L69747	97	19	L69904	169	09	L70615	39	16
L68580	67	16	L69747	143	11	L69904	177	07	L70616	209	00
L68613	55	17	L69747	217	00	L69904	177	09	L70618	39	15

Telescopic Handler

Numerical Index

Part No.	Page No.	Ref. No.	Part No.	Page No.	Ref. No.	Part No.	Page No.	Ref. No.	Part No.	Page No.	Ref. No.
L70618	209	03	L79167	129	05	L98235	83	17	L98272	87	18
L70621	39	03	L79167	135	05	L98235	87	16	L98274	87	01
L70629	53	00	L810005	109	15	L98236	83	16	L98275	87	02
L70629	55	00	L82358	257	09	L98236	87	15	L98276	77	11
L70634	29	02	L94824	73	02	L98237	83	09	L98276	87	26
L70635	107	25	L96053	89	05	L98237	85	14	L98277	77	13
L70639	107	12	L96838	200	09	L98237	87	09	L98277	87	27
L70655	210	00	L96838	201	08	L98238	83	08	L98278	89	09
L70655	247	12	L96838	206	06	L98238	85	13	L98279	89	08
L70701	23	08	L96838	207		L98238	87	08	L98281	89	03
L70719	249	31	L96838	210	08	L98239	83	15	L98282	89	02
L71074	19	06	L97489	7	03	L98239	85	12	L98284	77	14
L71075	19	03	L97489	47	34	L98239	87	21	L98291	93	01
L71076	19	13	L97525	75	10	L98239	87	23	L98292	93	02
L71076	19	14	L97526	75	11	L98240	83	14	L98293	93	03
L71077	19	09	L97655	218	06	L98240	85	11	L98294	93	04
L71081	19	12	L97769	210	07	L98240	87	20	L98295	93	05
L71081	53	00	L97839	210	04	L98240	87	22	L98298	93	12
L71081	55	00	L97884	133	06	L98241	83	13	L98300	93	10
L71082	19	07	L97884	200	02	L98241	85	18	L98301	93	09
L71083	19	11	L97884	201	02	L98241	87	14	L98302	93	08
L71083	21	00	L97885	133	05	L98242	83	12	L98303	93	07
L71084	19	08	L97885	201	03	L98242	85	17	L98304	93	06
L71086	19	05	L97886	201	06	L98242	87	13	L98307	93	13
L71165	109	11	L98176	73	09	L98244	83	10	L98316	92	03
L71204	119	20	L98184	73	22	L98244	85	15	L98317	92	06
L71205	119	03	L98185	73	08	L98244	87	10	L98355	95	18
L71206	119	07	L98189	75	09	L98246	83	06	L98355	99	15
L71266	257	19	L98191	75	13	L98246	85	09	L98355	103	17
L71339	149	03	L98194	75	07	L98246	87	06	L98368	104	08
L71339	151	03	L98196	75	16	L98247	83	07	L98368	105	17
L71339	153	03	L98197	75	03	L98247	85	10	L98371	103	08
L71339	155	03	L98198	75	15	L98247	87	07	L98372	103	09
L71339	220	00	L98199	75	12	L98248	83	01	L98373	99	08
L71350	241	01	L98200	75	06	L98249	83	18	L98373	103	42
L71553	49	01	L98201	75	04	L98250	83	04	L98380	101	04
L71554	267	01	L98202	75	05	L98250	85	07	L98394	101	21
L71555	267	02	L98203	75	01	L98250	87	04	L98395	101	20
L71595	23	10	L98204	75	02	L98251	83	02	L98396	101	19
L71651	249	26	L98205	75	14	L98252	83	03	L98404	101	17
L71691	19	10	L98211	78	05	L98253	77	02	L98406	101	17
L71691	49	00	L98212	78	07	L98253	77	05	L98417	99	01
L71700	267	03	L98214	79	10	L98253	77	10	L98417	103	44
L71725	48	03	L98215	79	08	L98253	77	12	L98430	104	22
L71726	48	02	L98216	79	09	L98253	83	19	L98430	105	04
L71729	48	00	L98217	73	15	L98253	87	24	L98503	197	01
L71732	48	05	L98218	73	14	L98254	77	03	L98506	197	12
L71750	48	04	L98219	79	12	L98254	77	06	L98507	197	05
L71751	49	05	L98220	79	01	L98254	83	20	L98509	197	10
L71752	49	04	L98224	79	06	L98255	83	22	L98534	215	02
L71758	95	01	L98226	73	13	L98257	85	06	L98536	215	05
L72419	47	00	L98228	81	02	L98257	87	19	L98537	215	07
L76020	65	08	L98229	81	01	L98258	85	05	L98547	197	03
L76020	67	10	L98230	81	04	L98260	87	17	L98547	205	04
L76084	67	09	L98231	81	03	L98264	89	06	L98550	197	06
L79167	111	02	L98232	81	05	L98266	89	07	L98662	211	04
L79167	121	09	L98233	81	08	L98268	89	04	L98734	73	27

Numerical Index

RS6-42/RS8-42/44

Part No.	Page No.	Ref. No.	Part No.	Page No.	Ref. No.	Part No.	Page No.	Ref. No.	Part No.	Page No.	Ref. No.
L98735	73	28	L99184	79	02	L99885	207	07			
L98865	35	24	L99190	243	01	L99886	207	02			
L98926	73	07	L99191	243	01	L99888	207	05			
L98927	73	06	L99235	257	01	L99889	125	14			
L98932	73	12	L99236	257	01	L99889	207	01			
L98935	73	11	L99246	71	04	L99908	219	05			
L98938	71	14	L99246	73	16	L99908	220	05			
L98942	78	06	L99246	73	24	L99908	221	02			
L98943	78	04	L99249	71	15	L99909	221	03			
L98944	78	03	L99251	73	03	L99910	219	06			
L98945	78	01	L99253	73	05	L99910	220	04			
L98947	78	02	L99260	71	09	L99910	221	04			
L98948	79	11	L99260	71	12	L99911	219	06			
L98949	79	07	L99261	71	10	L99911	220	01			
L98950	79	04	L99262	71	07	L99911	220	04			
L98951	79	05	L99262	73	25	L99911	221	03			
L98953	79	03	L99270	73	26	L99911	221	04			
L98954	79	18	L99274	73	23	L99916	222	05			
L98955	77	15	L99278	83	05	L99917	207	12			
L98956	93	15	L99279	85	08	L99917	209	08			
L98957	93	14	L99284	71	03	L99917	220	02			
L98958	93	11	L99284	71	06	L99917	222	06			
L98961	83	11	L99284	73	18	L99921	217	01			
L98961	85	16	L99285	71	08	L99924	220	03			
L98961	87	11	L99285	73	32	L99925	219	03			
L98962	83	21	L99286	71	01	L99927	219	03			
L98967	87	12	L99287	73	29	L99935	199	07			
L98968	77	09	L99288	73	31	L99937	199	03			
L98968	87	25	L99294	73	33	L99938	199	04			
L98978	7	06	L99295	73	34	L99942	199	08			
L99013	73	04	L99296	73	35	L99943	202	03			
L99018	73	19	L99312	73	30	L99943	203	03			
L99020	79	15	L99313	75	08	L99944	211	07			
L99023	79	14	L99329	201	11	L99951	95	03			
L99025	79	13	L99405	197	07	L99966	53	20			
L99027	79	16	L99425	27	06	L99966	55	15			
L99029	71	11	L99434	61	02	L99983	25	05			
L99029	71	13	L99454	29	01	L99987	208	08			
L99029	73	21	L99696	85	21	L99987	209	09			
L99029	79	17	L99785	92	04	L99988	209	11			
L99030	92	05	L99852	207	06	L99989	209	01			
L99031	81	06	L99856	207	03	L99991	209	04			
L99032	81	07	L99857	197	04	P470472	47	07			
L99038	87	05	L99857	205	06	P471351	129	09			
L99045	73	20	L99864	205	07	P471351	135	09			
L99053	203	07	L99864	209	05	P471351	145	14			
L99074	210	03	L99865	205	02	P471356	129	24			
L99120	201	05	L99866	205	05	P471370	97	03			
L99121	201	10	L99868	205	11	P471997	219	07			
L99122	201	07	L99873	203	12	P472566	47	29			
L99122	207	08	L99874	203	10						
L99123	201	04	L99875	203	09						
L99157	45	07	L99879	203	06						
L99182	69	10	L99879	207	04						
L99184	7	05	L99881	203	04						
L99184	69	04	L99883	207	13						

	PAGE
A	
Accelerator Pedal	34
Access Panels	8
Air Cleaner	56, 58
Air Filter	6, 56, 58
Air Intake Tube	56, 58
Air Pre-cleaner	56, 58
Air Restrictor	56, 58
Arm Rest, Right	30
Arm Rest, Seat	28
Attachment Bracket	124
Auxiliary Hydraulics Circuit	134
Auxiliary Hydraulics Control Valve	236
Auxiliary Hydraulics Work Section	226
Axle	94
Axle Mount, Frame Level	136
Axle Mount, Frame Stabilizer	138
Axle Vent	98
B	
Backup Alarm	22
Backup Light	22
Battery	44
Battery Cables	44
Blower Motor	24
Boom	106
Boom Angle Indicator	107
Boom Chains	118
Boom Lights	106
Boom Pivot Bearing	108
Boom Winch	256
Boom, Truss	256
Bracket, Mirror	44
Brake Lines	32
Brake Lines	96
Brake Linkage	34
Brake Pedal	34
Brake Valve	32
Bucket	258
Button, Horn	20
Button, Switch	20

	PAGE
C	
Cab	8
Cab Mounts	36
Cable, Battery	44
Cap, Fuel	44
Cap, Hydraulic Filler	46
Carriage Forks	240
Carriage, 180 Degree Swing	250
Carriage, Fork Shift	244
Carriage, Log / Pipe	254
Carriage, Rotating	246
Carriage, Standard	242
Carriage, Swing	248
Catalytic Purifier	60
Chain and Shackle, PWP	49
Chain, Boom	106, 118
Charge Air Cooler	64
Charge Air Hose	64
Charge Pump	79
Cold Start By-Pass	62
Control Module, PWP	49
Control Valve, Auxiliary Hydraulics	236
Controller, Outrigger	234
Controllers, Dual	146, 230, 233
Controllers, Tri-Function	148, 238
Cover, Battery	44
Cover, Boom Side	110
Covers	40, 42
Cylinder, Extend	202
Cylinder, Fork Shift	212
Cylinder, Frame Level	196
Cylinder, Frame Stabilizer	198
Cylinder, Lift	200
Cylinder, Outrigger	208
Cylinder, Rotating Carriage	210
Cylinder, Slave	204
Cylinder, Swing	211
Cylinder, Tilt	206

	PAGE
D	
Dash8
Dash Panel18
Decals264
Defroster Vent24
Differential100
Diodes20, 23
Door16
Door Hinges16
Door Striker16
Drive Plate92
Driveshaft68
Dual Controllers146
Dynattach Assembly124
E	
ECU52
Electrical Relays20
Electrical Switches18
Electronic Controller, Transmission90
Electronic Throttle34
Engine52, 54
Equalizer Valve, Brake32
Ether Option52, 54
Exhaust Pipe60
Extend / Retract Circuit, Boom Hydraulics126
Extend Cylinder202
F	
Fan62, 66
Fan Belt52, 54
Fan Guard62, 66
Fan Shroud62, 66
Fender94
Filter, Air6
Filter, Fuel6
Filter, Hydraulic6
Filter, Oil6
Filter, Transmission6
Filter, Transmission79
Floor Tread8
Flow Divider140

	PAGE
F (continued)	
F-N-R Module20
F-N-R Module26
Fork Shift Carriage244
Fork Shift Cylinder212
Forks, Carriage240
Frame Level Components136
Frame Level Cylinder196
Frame Level Indicator8
Frame Stabilizer Cylinder198
Frame Stabilizer Components138
Fuel Cap44
Fuel Filter6
Fuel Line44
Fuel Line52, 54
Fuel Sender44
Fuel Tank44
Fuses20
 G	
Gauges18
Guard, Fan62, 66
 H	
Handle, Door16
Harness, Throttle52
Head Lights22
Heater24
Heater Hose25
Heater Panel8
Heater Shut-off52, 54
Heater Switch24
Hinges, Door16
Hinges, Window10
Hoods40, 42
Horn21
Horn Button20
Hose Tray116, 120
Hose, Radiator64, 66
Hour Meter18
Hydraulic Circuit140

H (continued)

Hydraulic Filler Cap46
Hydraulic Filter6, 46
Hydraulic Pump140, 214
Hydraulic Suction Hose46
Hydraulic Tank46
Hydraulic Tank Sight Glass46

I

Ignition Switch20
Instrument Panel18

J

Jib Boom256
Joystick146, 148
Joystick Relief, Flow Divider219

L

Latch, Window10
Level Indicator8
Level Sensor, PWP49
Lift Circuit, Boom Hydraulics132
Lift Cylinder200
Linkage, Brake34
Load Chart Plate8
Log / Pipe Carriage254

M

Main Valve, Hydraulic144
Main Valve, Hydraulic224
Manifold, PWP221
Master Cylinder, Brake Valve215
Master Valve, Brake32
Mirror44
Modulation Valve, Transmission93
Module, F-N-R20
Mount, Frame Level94
Mounts, Cab36
Mounts, Motor52, 54
Mounts, Transmission68
Muffler60

	PAGE
 O	
Oil Cooler64, 66
Oil Filter6
Oil Pressure Sensor54
Outrigger Control Valve234
Outrigger Cylinder208
Outrigger Valve194, 228
Outriggers38
 P	
Pads, Boom106, 112, 114, 122
Paint263
Panel, Instrument18
Panels, Access8
Pilot Apply Valve220
Platform, 180 Degree Swing252
Platform, Work260
Pre-cleaner56, 58
Priority Valve140
Priority Valve218
PWP48
PWP Manifold49, 221
PWP, Control Module49
 R	
Radiator62, 64, 66
Radiator Hose64, 66
Radio Remote Valve223
Radio Remote Manifold156
Radio Remote, PWP50
Relays20
Resistor Block, Heater24
Restrictor, Air56, 58
Rim, Wheel94
Ring and Pinion100
Rotating Carriage246
Rotating Carriage Cylinder210

	PAGE
S	
Seat28
Seat Belt28
Sender, Fuel44
Shifter26
Shroud, Fan62, 66
Shut-off, Water52, 54
Sight Glass, Hydraulic46
Skid Plate8
Slave Circuit, Boom Hydraulics130
Slave Cylinder204
Stabilizing Valve222
Starter Button20
Starter Relay52, 54
Steer Cylinder98
Steer Cylinder213
Steer Motor26, 142, 216
Steer Select Valve142, 217
Steering Circuit, Hydraulics142
Steering Column26
Steering Lines96
S (continued)	
Steering Wheel26
Striker, Door16
Strobe Light21
Suction Hose, Hydraulic46
Suspension Seat28
Swing Carriage248
Swing Carriage Cylinder211
Switch, Heater24
Switches18
T	
Tail Lights22
Tail Pipe60
Temperature Control24
Throttle Linkage, Engine54
Throttle Pedal34
Tie Rod98
Tilt Circuit, Boom Hydraulics128
Tilt Cylinder206

T (continued)

Tire94

Torque Converter74

Transmission68

Transmission Filter6

Tray, Hose116, 120

Tri-Function Controller148

Truss Boom256

Tube, Charge Air64

Turbo Pipe60

Turn Signal Flasher21

U

Universal Joint68

V

Valve, Main Hydraulic144

Valve, Outrigger194, 228

Valve, Pilot Apply220

Valve, Radio Remote223

Valve, Stabilizing222

Valve, Temperature Control24

Vent, Axle98

W

Washer Bottle13

Washer Pump13

Water Level Sensor6

Water Separator6

Water Temperature Sensor54

Wheel Rim94

Winch256

Window Hinges10

Window Latch10

Window, Front10

Window, Left Side14

Window, Rear8

Window, Right Side8




Window, Top14




W (continued)

Wiper12
Wiper Arm12
Wiper Blade12
Wiper Motor12
Wire Harnesses21
Wire Harnesses23
Work Platform260
Work Platform, 180° Swing250

Torque Specifications

Use these torque values when tightening hardware (excluding: locknuts and self-tapping, thread-forming and metal screws) unless otherwise specified.

Unified National Thread	Grade 2 		Grade 5 		Grade 8 	
	Dry	Lubed	Dry	Lubed	Dry	Lubed
8-32	19*	14*	30*	22*	41*	31*
8-36	20*	15*	31*	23*	43*	32*
10-24	27*	21*	43*	32*	60*	45*
10-32	31*	23*	49*	36*	68*	51*
1/4-20	66*	50*	9	75*	12	9
1/4-28	76*	56*	10	86*	14	10
5/16-18	11	9	17	13	25	18
5/16-24	12	9	19	14	25	20
3/8-16	20	15	30	23	45	35
3/8-24	23	17	35	25	50	35
7/16-14	32	24	50	35	70	55
7/16-20	36	27	55	40	80	60
1/2-13	35	35	75	55	110	80
1/2-20	40	40	90	65	120	90
9/16-12	55	55	110	80	150	110
9/16-18	60	60	120	90	170	130
5/8-11	75	75	150	110	220	170
5/8-18	85	85	180	130	240	180
3/4-10	130	130	260	200	380	280
3/4-16	150	150	300	220	420	320
7/8-9	125	125	430	320	600	460
7/8-14	140	140	470	360	660	500
1-8	190	190	640	480	900	680
1-14	210	210	710	530	1000	740

Metric Course Thread	Grade 8.8 		Grade 10.9 		Grade 12.9 	
	Dry	Lubed	Dry	Lubed	Dry	Lubed
M6-1	8	6	11	7	13.5	10*
24M8-1.25	19	14	27	20	32.5	24*
M10-1.5	37.5	28	53	39	64	47
M12-1.75	65	48	91.5	67.5	111.5	82
M14-2	103.5	76.5	145.5	108	176.5	131
M16-2	158.5	117.5	223.5	165.5	271	200

* All torque values are in lb-ft, except those marked with an *, which are in lb-in.
For metric torque value (Nm) multiply lb-ft value x 1.355, or lb-in x 0.113.

GEHL®

GEHL Company 143 Water Street, P.O. Box 179, West Bend WI 53095-0179 U.S.A.

www.gehl.com