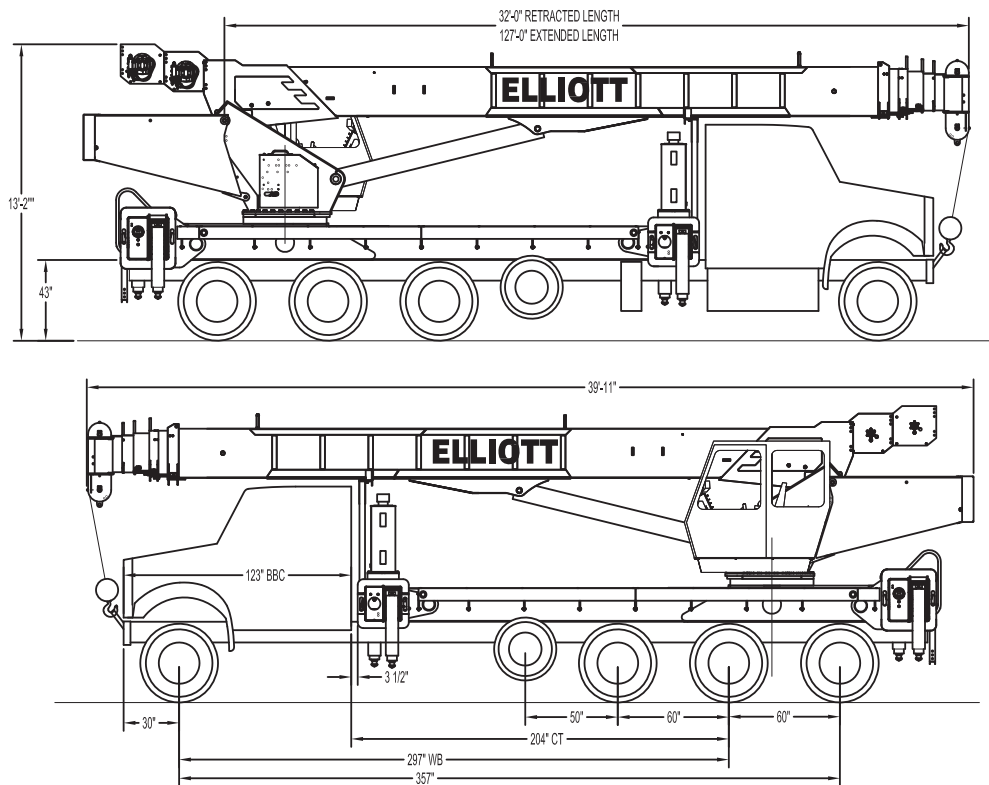


45127 SIDE VIEW DIAGRAM



- | | | | |
|----------------------------------|----------------------|---------------------------------|--------------------------------|
| • Maximum Vertical Reach | 192'/58,5 m | • Powered Boom Sections | 5 |
| • Working Area | 360 Degrees | • Overall Height | 13'2"/4 m |
| • Lifting Capacity | 90,000 lbs/40 823 kg | • Operator Controls | Rotating Cab with Control Seat |
| • Boom Length | 127'/38,7 m | • Outrigger Type Front | Out-Down |
| • Crane Weight (Standard) | 43,000 lbs/19 504 kg | • Outrigger Spread Front | 21'2"/6,4 m |
| • Jib Lengths | 32'-55' / 9,7-16,7 m | • Outrigger Type Rear | Out-Down |
| • Winch Bare Drum Pull | 15,000 lbs/6804 kg | • Outrigger Spread Rear | 26'2"/8 m |

TECHNICAL SPECIFICATIONS

Crane Capacity: 90,000 lbs at 7' radius.

Maximum Tip Height: 137' tip height (192' with 55' jib).

Control Console: Rotating seated controls with operator cab and deluxe operators seat. Station equipped with four pilot operated control levers for the main crane controls. Operator station includes LMI display, diesel heater, bubble level gauge, engine start/stop switch, signal horn button, variable speed throttle switch, lifting capacity chart, range diagram chart, boom angle indicator, system pressure gauge, 12V DC power source, and cup holder. Independent ground level electric operated outrigger controls.

Boom: Five-section fully proportional, high strength steel plated rectangular tube sections. A maximum boom tip height of 137' mounted on a truck. The boom nose contains one floating upper sheave and three lower sheaves. Assembly includes heavy-duty cylinder fittings, pivot pins, and replaceable wear pads.

Winch: Mounted at the base of the boom for a long fleet angle and flat level spooling of cable. Winch is driven by a planetary reducer and powered by a hydraulic motor. Burst-of-speed winch provides increased line speed. The winch brake is spring applied, pressure release design. Supplied with 430' of 5/8" diameter rotation resistant wire rope with a single line pull of 10,000 lbs., and a downhaul ball with swivel hook for single part line.

Load Moment Indicator System: System senses hoist cylinder pressures, boom length and boom angle with hydraulic function lockout. The display console is equipped with a bar graph showing crane utilization, boom angle or boom length, a mode select controls for main boom and jib operation, and an anti-two block with an audio/visual warning and shut-off functions to limit hook-boom point contact.

Elliott Equipment Company reserves the right to change the specification of any unit at any time without prior notice. This brochure is only a statement of general specifications on the date of this publication. For more detailed info on specific Elliott trucks go to www.elliottequip.com

Outriggers: Two sets of out and down overframe outriggers. Front outriggers have a 21'2" span, rear outriggers have a 26'2" span. Outriggers are configured for full span or mid span operation. Outriggers equipped with 22" diameter ball socket aluminum removable pads that stow on vertical outrigger legs.

Frame: Full length, all welded rigid 4-plate design sub-frame. Sub-frame allows for bolt-on addition of aluminum bed wings, with top plate of subbase serving as a portion of the bed deck, to form a three-piece bed.

Turret: Reverse offset turret is one-piece weldment. Turret rotates on large diameter ball bearing.

Rotation: Hydraulic motor drives turret through double reduction planetary swing drive for 360 degree continuous rotation. Glide-swing drive system has manual foot applied brake

Lift: One double-acting long stroke cylinder provides smooth and stable boom elevation. Holding valve prevents boom from falling in event of hose failure.

Boom Extension: Incorporates a 2-stage hydraulic extension cylinder, attached to the largest boom section, with a proportional cable extension system driving the outermost sections.

Hoses: All high pressure hoses are wire braid reinforced with a minimum safety factor of 4 to 1.

Cylinders: All cylinders use microhoned cylinder tubing, chrome shafts, top grade packing and protective rod wipers. Cylinder-mounted holding valves provided on all load-holding cylinders.

Hydraulic System: Equipped with air-shift PTO, piston pump, SAE O-ring face seals on pressure lines, and a 10-micron return line filter. Hydraulic oil cooler. The control valve distributes all flow to hoist system, swing circuit, and other crane functions. System is closed center type.

Oil Tank Capacity: 143 gallon mounted to top of frame.

Cab Equipment: Air shift PTO with indicator lights installed in truck cab. U/L approved 5:BC dry chemical fire extinguisher installed in truck cab.

Operators Manual & Video: Two CD copies and one hard copy of operation, maintenance, safety and parts manual provided with each unit. Operational and safety video provided at delivery.

Installation: Unit installed on chassis, painted, system and tank filled with oil, tested, inspected, and ready to operate.

Standard Paint: Paint turret and boom white, outriggers red, and bed and boxes black.

Bumper: Bureau of Motor Carrier Safety rear bumper.

Weight: Approximately 43,000 lbs. less truck.

Truck Chassis Required: Approx. 204" C.T., RBM 3,300,000 in-lb. per rail, 20,000 lb. front axle, 66,000 lb. tridem rear axles, and 8,000 lb pusher axle ahead of tridem. 94,000 lb. GVWR required. Trucks must have 12V electrical system with high capacity alternator, cab clearance stop/tail/backup lights, and I.D. lamps. Additional configurations available for bridge legal cranes and export. Contact factory when additional equipment is to be added.

Options:

Air Conditioning for Crane Cab.
32'-55' 2-Stage Telescopic Jib
Gravity Leveled Work Platform.
Wireless Radio Remote Controls.
Winch Drum Rotation Indicator.
Auxiliary Winch Package.
Work Area Definition (WADS)
Much More...

LOAD CHART - FULL SPAN OUTRIGGERS



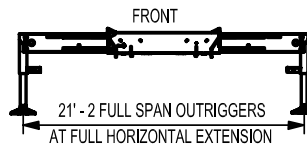
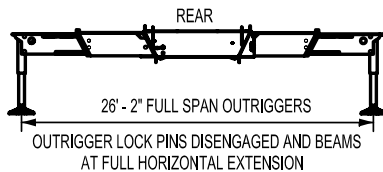
MODEL 4500 127-ft BOOM

MAIN BOOM LOAD RATINGS WITH FULLY EXTENDED OUTRIGGERS

MAIN BOOM LOAD RATINGS

LOAD RATINGS IN lbs WITH OUTRIGGERS AND STABILIZERS EXTENDED

LOAD RADIUS IN FEET	LOADED BOOM ANGLE	32-ft	LOADED BOOM ANGLE	A 43-ft	LOADED BOOM ANGLE	B 55-ft	LOADED BOOM ANGLE	C 67-ft	LOADED BOOM ANGLE	D 79-ft	LOADED BOOM ANGLE	E 91-ft	LOADED BOOM ANGLE	F 103-ft	LOADED BOOM ANGLE	G 115-ft	LOADED BOOM ANGLE	H 127-ft	
7	73.6	90,000																	
8	71.6	81,400																	
10	67.6	69,600	74.2	43,000															
12	63.4	57,600	71.4	43,000	75.8	43,000	78.8	41,000											
15	56.8	46,000	67.0	40,000	72.6	43,000	76.2	37,800	78.6	29,000	80.4	21,850							
20	44.4	33,200	59.4	33,700	66.9	34,100	71.7	33,800	74.9	25,500	77.2	19,400	79.2	16,300	80.7	12,850			
25	27.8	24,900	51.0	25,450	61.0	25,900	67.0	26,100	71.1	22,200	74.0	17,250	76.5	14,950	78.4	12,600	79.9	10,000	
30			41.4	20,250	54.6	20,700	62.1	20,900	67.2	20,150	70.8	15,650	73.7	13,700	76.0	11,800	77.9	9,900	
35			29.4	16,450	47.8	16,700	57.0	16,950	63.1	17,100	67.4	14,500	70.8	12,650	73.7	10,950	75.8	9,500	
40			7.2	13,000	40.0	13,300	51.6	13,500	58.8	13,700	63.9	13,250	67.9	11,600	71.2	10,300	73.6	9,000	
45					30.6	10,800	45.7	11,000	54.3	11,100	60.3	11,200	65.1	10,700	68.6	9,600	71.4	8,600	
50					18.5	9,000	39.8	9,200	50.0	9,400	56.8	9,500	62.0	9,500	65.9	9,000	69.0	8,100	
55							32.2	7,700	44.8	7,850	52.7	7,900	58.6	8,000	63.1	8,000	66.7	7,650	
60							22.3	6,500	39.2	6,600	48.4	6,700	55.1	6,800	60.1	6,800	64.2	6,800	
65									32.7	5,600	43.9	5,700	51.4	5,800	57.0	5,800	61.5	5,750	
70									24.7	4,700	38.9	4,800	47.5	4,900	53.7	5,000	58.6	4,900	
75									12.4	4,000	33.2	4,000	43.3	4,100	50.3	4,250	55.7	4,200	
80											26.5	3,450	38.8	3,500	46.8	3,600	52.7	3,550	
85											17.4	2,850	33.8	2,900	43.0	3,000	49.5	3,000	
90													28.0	2,450	38.9	2,500	46.2	2,450	
95													20.6	2,000	34.3	2,050	42.7	2,000	
100													7.1	1,650	29.2	1,650	38.9	1,600	
105															22.9	1,300	34.8	1,300	
110															13.9	950	30.1	1,000	
115																	24.7	700	
	0	21,200	0	12,900	0	8,200	0	5,600	0	3,800	0	2,500	0	1,600	0	800			
JIB DEDUCTIONS		950		700		550		450		400		350		300		250		200	DEDUCTIONS FOR STOWED EXTENDABLE JIB (lbs)
		750		550		450		350		300		250		200		200		150	DEDUCTIONS FOR STOWED FIXED JIB (lbs)



ELLIOTT EQUIPMENT CO. SUPPLIED LOADLINE EQUIPMENT DEDUCTIONS:
 DOWNHAUL WEIGHT.....225 lbs
 ONE SHEAVE BLOCK.....424 lbs
 TWO SHEAVE BLOCK.....592 lbs
 THREE SHEAVE BLOCK.....639 lbs
 FOUR SHEAVE BLOCK.....762 lbs
 AUXILIARY SHEAVE.....100 lbs

CRANE MEETS ASME B30.5 REQUIREMENTS AT TIME OF MANUFACTURE

DO NOT PAINT OVER ANY LABELS 1181460 092012



Elliott Equipment Company
 4427 South 76th Circle
 Omaha, NE 68127
 Phone: 402-592-4500
 Fax: 402-592-4553
 Email: sales@elliottequip.com

Built for You.
 www.elliottequip.com

LOAD CHART - MID SPAN OUTRIGGERS



MODEL 4500 127-ft BOOM

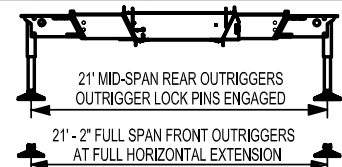
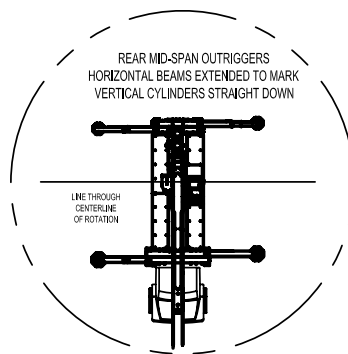
MAIN BOOM LOAD RATINGS WITH MIDSPAN OUTRIGGERS

LOAD RATINGS IN lbs WITH OUTRIGGERS AND STABILIZERS EXTENDED

LOAD RADIUS IN FEET	LOADED BOOM ANGLE	32-ft	A	LOADED BOOM ANGLE	B	LOADED BOOM ANGLE	C	LOADED BOOM ANGLE	D	LOADED BOOM ANGLE	E	LOADED BOOM ANGLE	F	LOADED BOOM ANGLE	G	LOADED BOOM ANGLE	H	
		32-ft	43-ft	55-ft	67-ft	79-ft	91-ft	103-ft	115-ft	127-ft								
7	73.6	90,000																
8	71.6	81,400																
10	67.6	69,600	74.2	43,000														
12	63.4	57,600	71.4	43,000	75.8	43,000	78.8	41,000										
15	56.8	46,000	67.0	40,000	72.6	43,000	76.2	37,800	78.6	29,000	80.4	21,850						
20	44.4	33,000	59.4	33,000	66.9	34,100	71.7	33,800	74.9	25,500	77.2	19,400	79.2	16,300	80.7	12,850		
25	27.8	24,000	51.0	24,000	61.0	25,000	67.0	25,000	71.1	22,200	74.0	17,250	76.5	14,950	78.4	12,600	79.9	10,000
30			41.4	16,000	54.6	16,000	62.1	16,000	67.2	15,700	70.8	15,650	73.7	13,700	76.0	11,800	77.9	9,900
35			29.4	12,400	47.8	12,400	57.0	12,700	63.1	12,700	67.4	12,900	70.8	12,650	73.7	10,950	75.8	9,500
40			7.2	9,700	40.0	10,000	51.6	10,300	58.8	10,300	63.9	10,300	67.9	10,300	71.2	10,300	73.6	9,000
45					30.6	8,000	45.7	8,300	54.3	8,300	60.3	8,300	65.1	8,400	68.6	8,500	71.4	8,600
50					18.5	6,700	39.8	6,700	50.0	6,700	56.8	6,800	62.0	6,900	65.9	7,000	69.0	7,000
55							32.2	5,500	44.8	5,500	52.7	5,600	58.6	5,600	63.1	5,700	66.7	5,700
60							22.3	4,500	39.2	4,500	48.4	4,500	55.1	4,500	60.1	4,600	64.2	4,600
65									32.7	3,500	43.9	3,500	51.4	3,500	57.0	3,600	61.5	3,700
70									24.7	2,600	38.9	2,600	47.5	2,700	53.7	2,800	58.6	2,900
75									12.4	2,000	33.2	2,000	43.3	2,000	50.3	2,100	55.7	2,200
80											26.5	1,400	38.8	1,400	46.8	1,500	52.7	1,600
85											17.4	1,000	33.8	1,000	43.0	1,100	49.5	1,100
90																		
	0	21,000	0	9,500	0	6,000	0	3,400	0	1,900								
JIB DEDUCTIONS	950		700		550		450		400		350		300		250		200	DEDUCTIONS FOR STOWED EXTENDABLE JIB (lbs)
	750		550		450		350		300		250		200		200		150	DEDUCTIONS FOR STOWED FIXED JIB (lbs)

NOTE:

- Operate jib by radius when main boom is fully extended. Increase boom angle if necessary to maintain load radius.
- When boom is retracted, operate jib by boom angles. Do not exceed any rated jib capacities at reduced boom lengths.
- Do not exceed capacities recommended by ASME/ANSI B30.5.
- Load ratings above bold line are structurally limited.
- Personnel handling is allowed only with full span outriggers.
- Boom load ratings are based on loaded boom radius. Loaded boom angles are given as reference only.



ELLIOTT EQUIPMENT CO. SUPPLIED LOADLINE EQUIPMENT DEDUCTIONS:

- DOWNHAUL WEIGHT225 lbs
- ONE SHEAVE BLOCK.....424 lbs
- TWO SHEAVE BLOCK.....592 lbs
- THREE SHEAVE BLOCK.....639 lbs
- FOUR SHEAVE BLOCK.....762 lbs
- AUXILIARY SHEAVE.....100 lbs

CRANE MEETS ASME B30.5 REQUIREMENTS AT TIME OF MANUFACTURE

DO NOT PAINT OVER ANY LABELS 1181460 092012



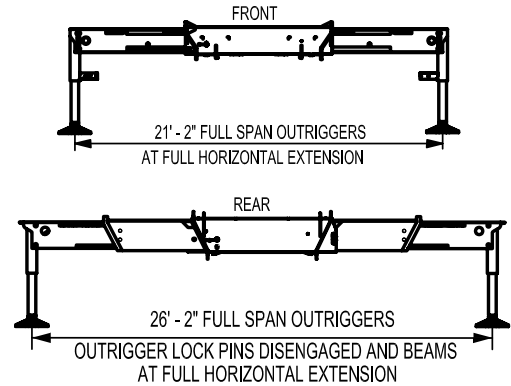
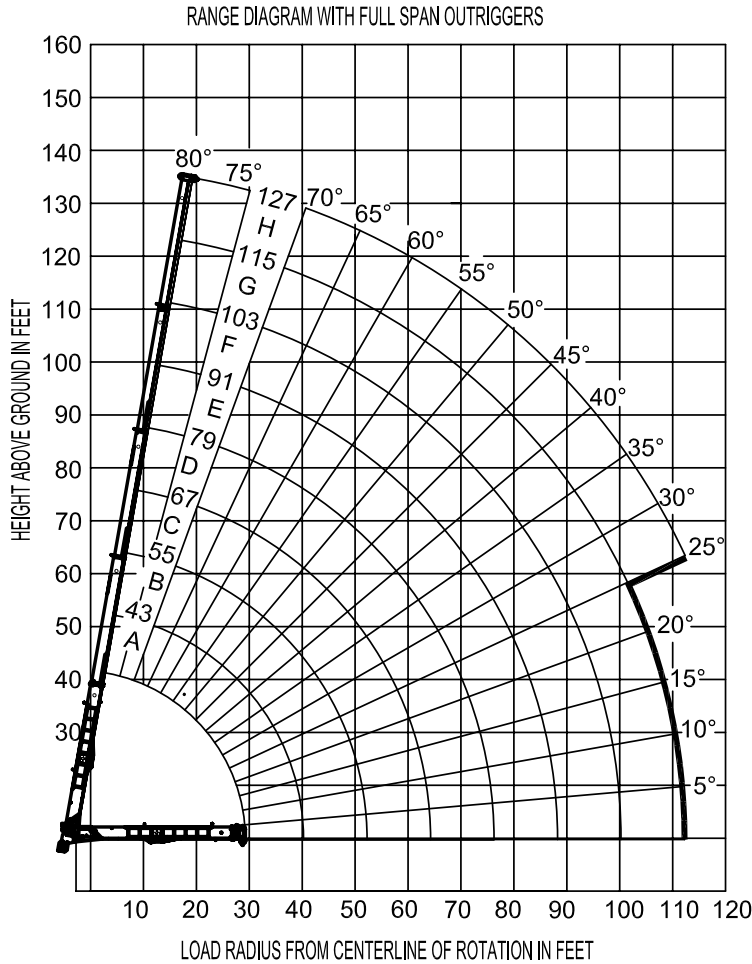
Elliott Equipment Company
4427 South 76th Circle
Omaha, NE 68127
Phone: 402-592-4500
Fax: 402-592-4553
Email: sales@elliottequip.com

Built for You.
www.elliottequip.com

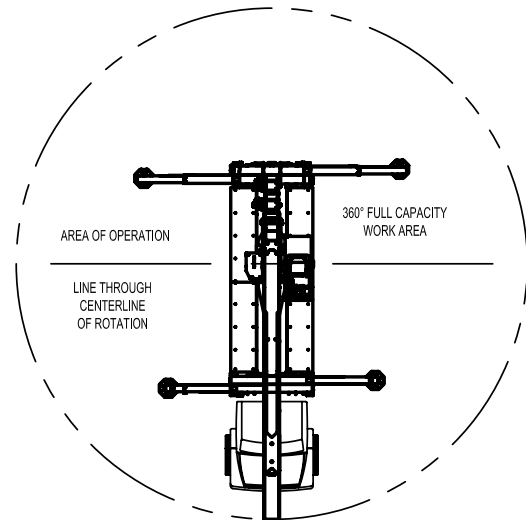
RANGE CHART - FULL SPAN OUTRIGGERS, NO JIB



MODEL 4500 127-ft BOOM



- NOTE:
1. Operate jib by radius when main boom is fully extended. Increase boom angle if necessary to maintain load radius.
 2. When boom is retracted, operate jib by boom angles. Do not exceed any rated jib capacities at reduced boom lengths.
 3. Capacities do not exceed 85% stability.
 4. Load ratings above bold line are structurally limited.
 5. Personnel handling is allowed only with full span outriggers.
 6. Boom load ratings are based on loaded boom radius. Loaded boom angles are given as reference only.



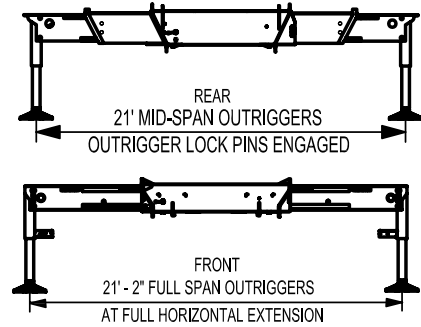
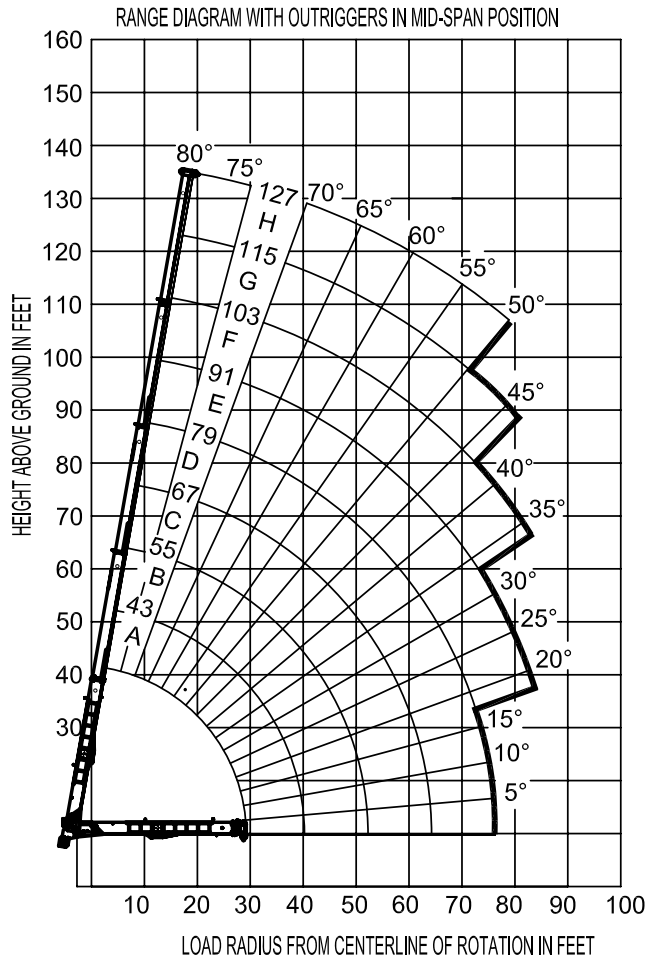
CRANE MEETS ASME B30.5 REQUIREMENTS AT TIME OF MANUFACTURE

DO NOT PAINT OVER ANY LABELS 1181460 092012

RANGE CHART - MID-SPAN OUTRIGGERS, NO JIB

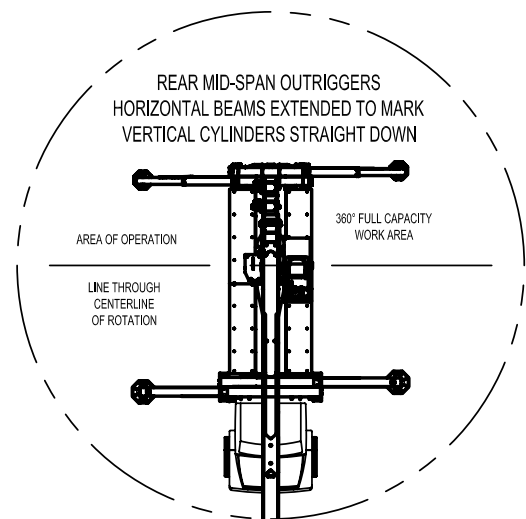


MODEL 4500 127-ft BOOM



NOTE:

1. Operate jib by radius when main boom is fully extended. Increase boom angle if necessary to maintain load radius.
2. When boom is retracted, operate jib by boom angles. Do not exceed any rated jib capacities at reduced boom lengths.
3. Do not exceed capacities recommended by ASME/ANSI B30.5.
4. Load ratings above bold line are structurally limited.
5. Personnel handling is allowed only with full span outriggers.
6. Boom load ratings are based on loaded boom radius. Loaded boom angles are given as reference only.



CRANE MEETS ASME B30.5 REQUIREMENTS AT TIME OF MANUFACTURE

DO NOT PAINT OVER ANY LABELS

1181460 092012



Elliott Equipment Company
4427 South 76th Circle
Omaha, NE 68127

Phone: 402-592-4500
Fax: 402-592-4553
Email: sales@elliottequip.com

Built for You.
www.elliottequip.com

JIB CHART - FULL-SPAN OUTRIGGERS, 32'-55' TWO SECTION JIB



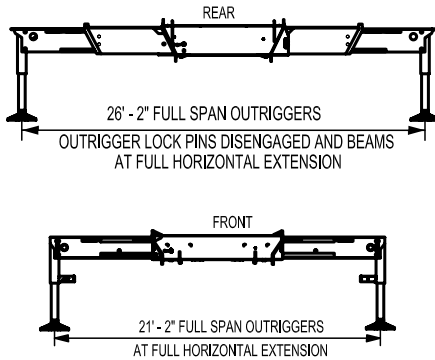
MODEL 4500

127-ft BOOM

JIB LOAD RATINGS WITH FULLY EXTENDED OUTRIGGERS

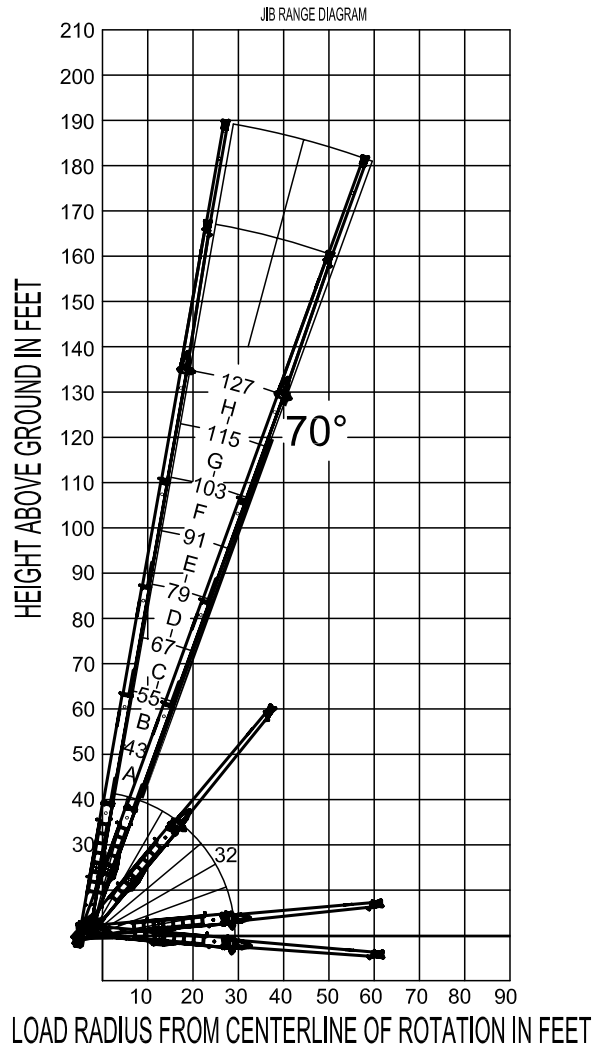
32'-55' TWO SECTION JIB					
LOAD RADIUS IN FEET	LOADED BOOM ANGLE	32-ft JIB 360°	LOAD RADIUS IN FEET	LOADED BOOM ANGLE	55-ft JIB 360°
30	80	3,600	36	80	2,400
46	75	3,600	54	75	2,400
60	70	1,200	70	70	800
LMI MODE: 32'RET			LMI MODE: 55'EXT		

DO NOT OPERATE JIB IN WINDS EXCEEDING 15MPH



NOTE:

1. Operate jib by radius when main boom is fully extended. Increase boom angle if necessary to maintain load radius.
2. When boom is retracted, operate jib by boom angles. Do not exceed any rated jib capacities at reduced boom lengths.
3. Do not exceed capacities recommended by ASME/ANSI B30.5.
4. Load ratings above bold line are structurally limited.
5. Personnel handling is allowed only with full span outriggers.
6. Boom load ratings are based on loaded boom radius. Loaded boom angles are given as reference only.



CRANE MEETS ASME B30.5 REQUIREMENTS AT TIME OF MANUFACTURE

1181460 110912

RANGE CHART - 2-MAN BASKET 600 LB / 272 KG CAPACITY

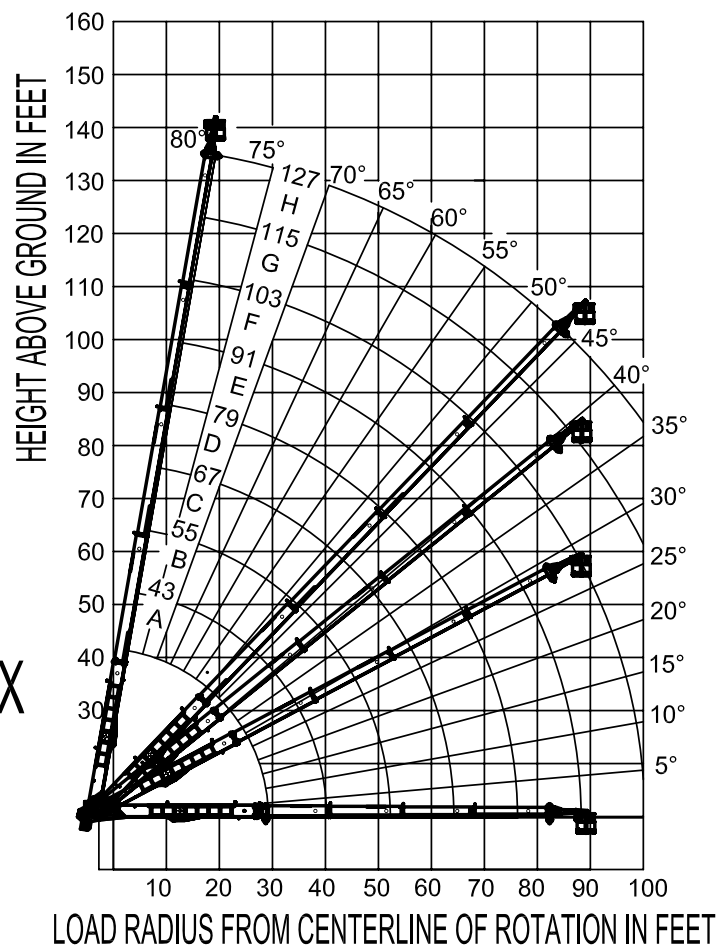


MODEL 4500

127-ft BOOM

BOOM RANGE DIAGRAM WITH PLATFORM ATTACHED

LOAD RADIUS IN FEET	LOADED BOOM LENGTH	LOADED BOOM ANGLE
91	91	0
90	103	28.0
90	115	38.9
90	127	46.2



PERSONNEL 600 LBS MAX

**USE OUTRIGGERS
AT ALL TIMES**

- NOTE:
1. Personnel handling is allowed only with full span outriggers.
 2. Boom load ratings are based on loaded boom radius.
Loaded boom angles are given as reference only.

CRANE MEETS ASME B30.5 REQUIREMENTS AT TIME OF MANUFACTURE

DO NOT PAINT OVER ANY LABELS

1181460 092012



Elliott Equipment Company
4427 South 76th Circle
Omaha, NE 68127
Phone: 402-592-4500
Fax: 402-592-4553
Email: sales@elliottequip.com

Built for You.
www.elliottequip.com

RANGE CHART - 2-MAN BASKET 1,200 LB / 544 KG CAPACITY

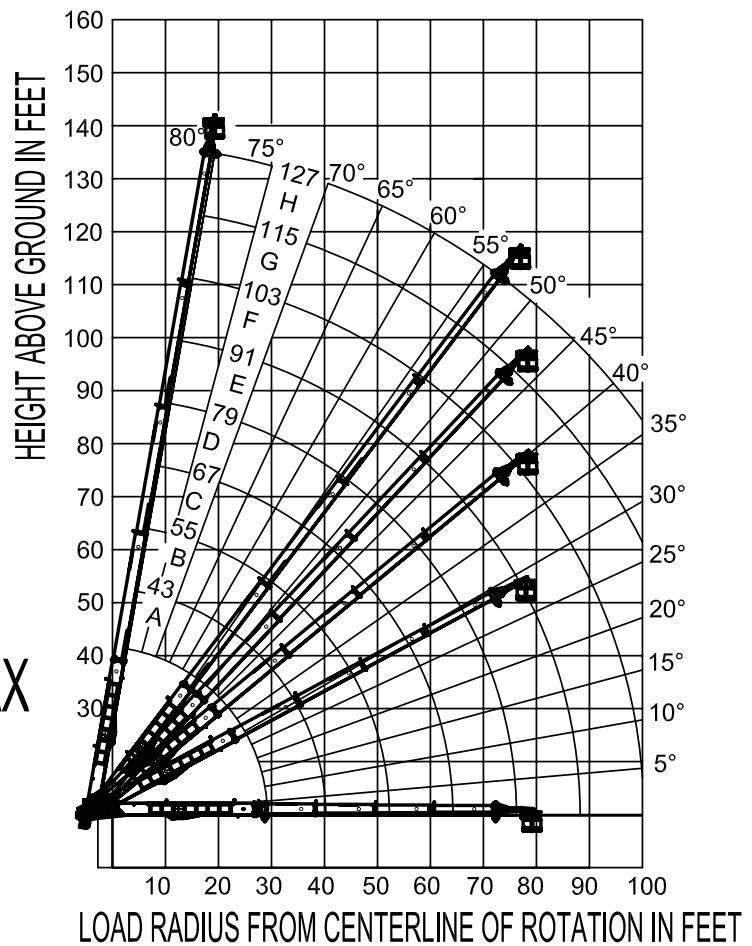


MODEL 4500

127-ft BOOM

BOOM RANGE DIAGRAM WITH PLATFORM ATTACHED

LOAD RADIUS IN FEET	LOADED BOOM LENGTH	LOADED BOOM ANGLE
81	79	0
79	91	28.3
79	103	39.6
80	115	46.8
80	127	52.9



PERSONNEL 1200LBS MAX

**USE OUTRIGGERS
AT ALL TIMES**

- NOTE:
1. Personnel handling is allowed only with full span outriggers.
 2. Boom load ratings are based on loaded boom radius.
Loaded boom angles are given as reference only.

CRANE MEETS ASME B30.5 REQUIREMENTS AT TIME OF MANUFACTURE

DO NOT PAINT OVER ANY LABELS

1181460 092012



Elliott Equipment Company
4427 South 76th Circle
Omaha, NE 68127
Phone: 402-592-4500
Fax: 402-592-4553
Email: sales@elliottequip.com

Built for You.
www.elliottequip.com

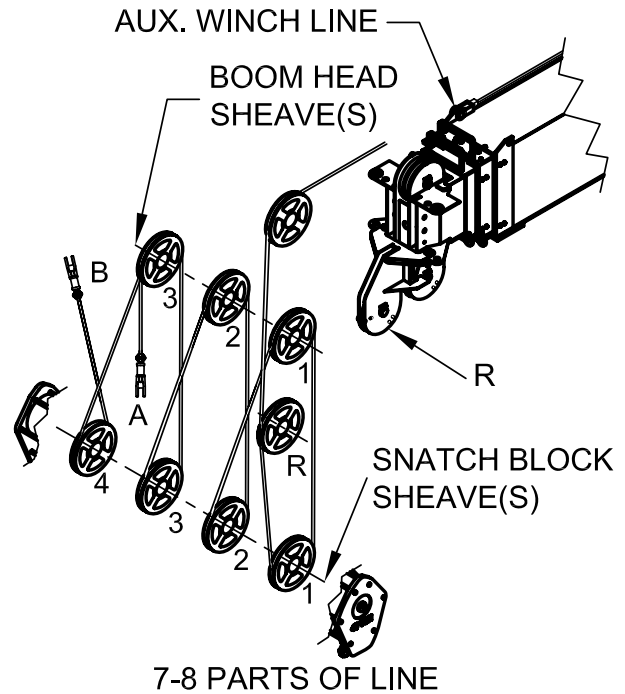
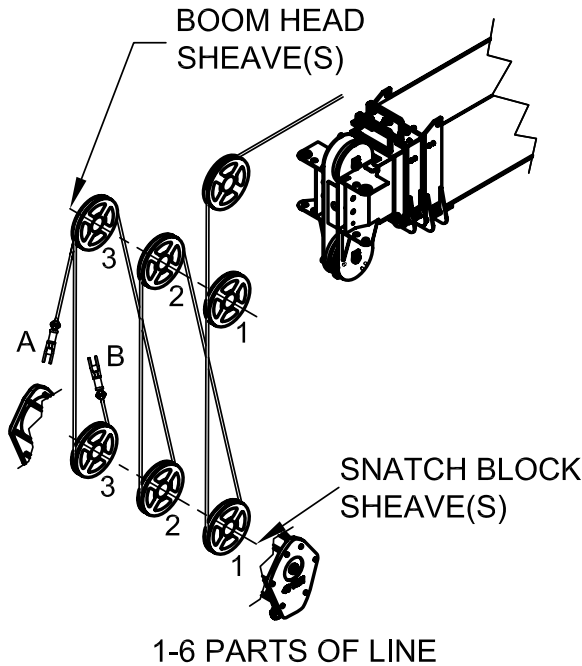
MAIN BOOM WINCH DATA



MODEL 4500

127-ft BOOM

PARTS OF LINE



NOTICE:

- DO NOT DEADHEAD LINE BLOCK AGAINST BOOM TIP WHEN EXTENDING BOOM.
- KEEP AT LEAST 5 WRAPS OF LOADLINE ON THE WINCH DRUM AT ALL TIMES.
- USE ONLY 5/8" DIAMETER WIRE ROPE, AS SPECIFIED, WITH THE PROPER BREAKING STRENGTH LISTED.
- ANTI-TWO-BLOCK SYSTEM MUST BE IN GOOD OPERATING CONDITION BEFORE OPERATING CRANE. SEE OPERATION & SAFETY MANUAL.

PARTS OF LINE	SHEAVE(S) ON BOOM HEAD	SHEAVE(S) ON SNATCH BLOCK	5/8" - SPIN RESISTANT (5:1 S.F.) 50,000-lbs. BREAKING STRENGTH
1	1	A	10,000 lbs
2	1B	1	20,000 lbs
3	12	1A	30,000 lbs
4	12B	12	40,000 lbs
5	123	12A	50,000 lbs
6	123B	123	60,000 lbs
7	R123	123A	70,000 lbs
8	R123B	1234	80,000 lbs

A-DEAD END FOR ODD PARTS OF LINE
 B-DEAD END FOR EVEN PARTS OF LINE
 R-ROOSTER SHEAVE REQUIRED WHEN USING 7 AND 8 PARTS OF LINE

CRANE MEETS ASME B30.5 REQUIREMENTS AT TIME OF MANUFACTURE

DO NOT PAINT OVER ANY LABELS

1181460 092012



Elliott Equipment Company
 4427 South 76th Circle
 Omaha, NE 68127
 Phone: 402-592-4500
 Fax: 402-592-4553
 Email: sales@elliottequip.com

Built for You.
www.elliottequip.com

TRUCK CHASSIS SPECIFICATIONS

	45127 BoomTruck
Wheelbase (WB)	297" / 754 cm
Cab to Axle (CT)	204" / 518 cm
Frame Section Modulus	30.0 in3-110,000 psi / 758 428 kPa
Front Axle Gross Weight Rating	20,000 lb / 9072 kg
Rear Axle Gross Weight Rating	66,000 lb / 29 937 kg
Pusher Axle Rating	8,000 lb / 3629 kg
Integral Front Frame Extensions	Required for Optional Front Stabilizer

Chassis data is minimum general requirements-not for engineering.
 Actual dimensions and truck data will depend on truck selection and axle configuration.
 *Minimum chassis weight is required to meet 85% stability requirements.

OPTIONS



Radio Remote Control

Interference protected radio remotes let you get closer to your work and have full control over your machine. Optional LMI display is available.



Bridge-Legal in All 50 States

In partnership with chassis manufacturers, Elliott Equipment is proud to offer a bridge-legal version of the 45127 in all 50 US states. Contact us to learn more.



Air Conditioning in Crane Cab

Work all day in comfort with an high efficiency air conditioning system mounted on the rear of the crane control cab.



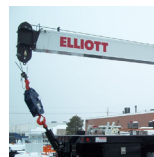
Dual Winch System & Drum Indicators

Take advantage of Elliott's auxiliary dual 10,000 lb single line pull winch package with optional winch drum rotation indicators



Tool Boxes

Optional tool boxes and bed storage can accommodate any storage need for tools, work materials and more.



Hook Block for Multi-Part Line

Elliott can include a hook block device for up to 8 parts of line to improve lifting capabilities and allow you to maximize your use of the crane.



2-Man Yoke Work Platform

Elliott's new 1,200 lb capacity 2-man platform features a hydraulic yoke lifting system for easy attachment to the boom tip. Fully OSHA compliant and heavy duty.



Body Mounted Hose Reels and Circuits

Let us work with you to customize your tool compatability by adding hose reels or hydraulic circuits to the crane bed.