

Valla 400 D



Self Diesel operated Mobile Crane
Max. Capacity Lbs. 88,000



Valla	
OUTREACH (Ft)	CAPACITY (Lbs.)
6	88,000
18	24,000
29	14,000



TECHNICAL DATA

CRANE FRAME: fabricated from preformed and welded steel plate with built-in counterweight.

ENGINE: diesel 6 cylinders motor.

ELECTRIC SYSTEM: 24 V.

TRANSMISSION: automatic torque converter – 3 gear forward + 3 gear reverse; max speed up to 25 km/h – hydraulic pump PTO.

BRAKES: service hydraulic (disk brakes), parking hydraulic.

STEERING: power steering operated through own hydraulic circuit. Fitted with safety valves and filter.

CAB: automotive type.

WHEELS: nr. 4 on drive axle 14.00 – 24 + nr. 2 on steering axle.

HYDRAULIC SYSTEM: electric proportional distributor controlled with joystick. Fitted with filter and safety valves. Maximum hydraulic pressure 220 Bar.

BOOM: boom fabricated from preformed and welded quality steel plate. Nr.4 telescoping sections: 1 fixed; 2 hydraulically telescoping. Fitted with nylon wear pads adjustable wear pads on the sides.

WINCH: hydraulic with cable inside the boom.

LMI: electronic Load Moment Indicator. Display showing lifted load, max allowed load, tilting percentage, operating radius, angle, telescope and light indicators on the operative mode.

TOTAL WEIGHT: approx. Lbs. 68,000 **MAX. CAPACITY:** Lbs. 88,000

Options on request: manual and hydraulic jibs; cable remote control; radio remote control; man bucket and relevant certification as aerial platform; non marking tires; full set of road lights.

Data subject to be changed without any previous notice. Pictures may differ from technical description.

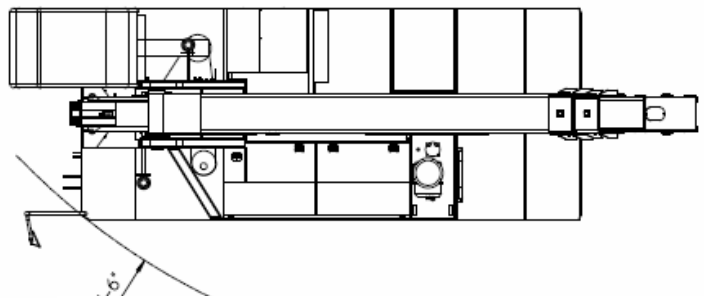
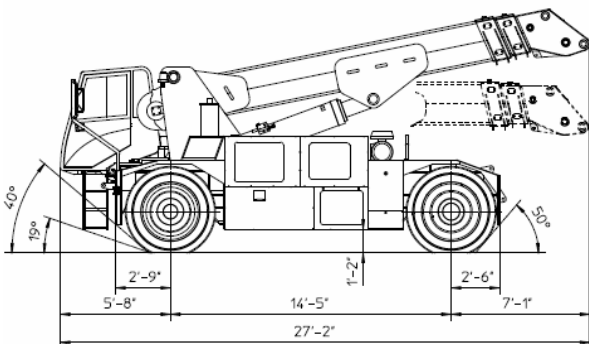
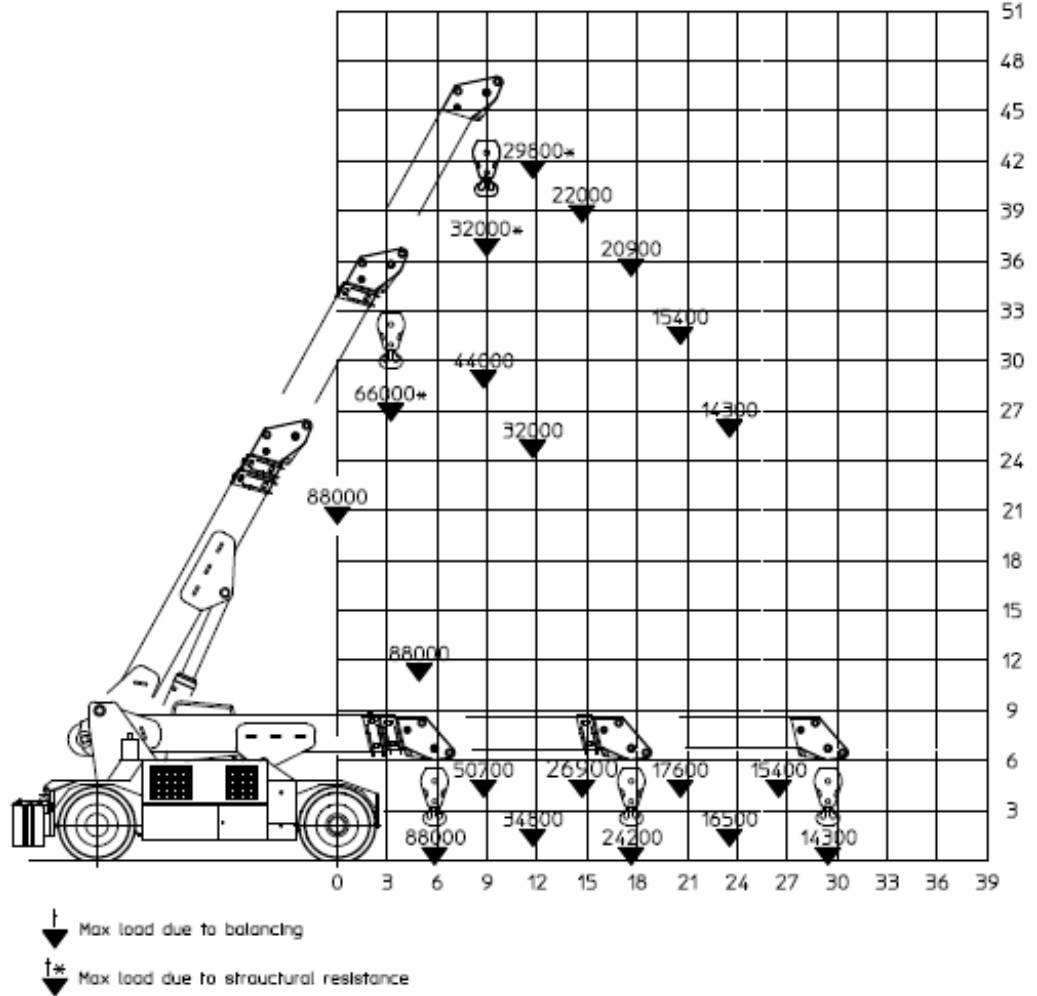
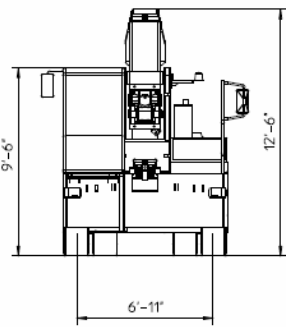
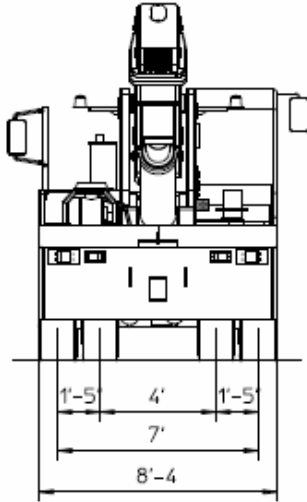
Valla



400 D



VALLA mobile crane mod. 400D
 complies with the following standards:
 -2006/42/CE
 -UNIEN13000
 -I.S.P.E.S.L.



Data subject to be changed without any previous notice. Pictures may differ from technical description.

Lbs./ft



Valla a division of CVS Ferrari Srl
 Via Piacenza, 45 - 29010 Calendasco (Piacenza) - ITALIA
 Tel. +39 0523 762025 / 752004 - Fax +39 0523 760531
 e-mail: info@valla.com - www.valla.com