

Mighty Crane CR285D

The Mighty Crane Series

Our mini cranes are strong enough to do the job and compact enough to work in hard to access areas. The Mighty Crane product line comes from the well renowned manufacturer R&B Engineering and is now exclusively distributed in the US and Canada by ReachMaster, Inc.. Innovation, quality, superior design and above all safety are trademarks of R&B Engineering. This Mighty Crane has a lifting capacity of 6,172 lbs and 28 ft 6in. lifting height yet is ultra-compact and will fit in tight situations where normal sized cranes cannot venture. It's applications include: glass and curtain wall installation, residential and commercial construction, building maintenance, pipeline handling, oil/gas refinery use and many more.

- Available in 2 models
- Ultra-Compact
- Safety moment limiter standard
- Tier 4 engine
- Five Section full automatic boom
- 4 Falls / 2 Falls / 1 fall hook block
- Hydraulic outriggers

OPTIONS

- Remote operation controller
- Searcher hook

■ Specifications

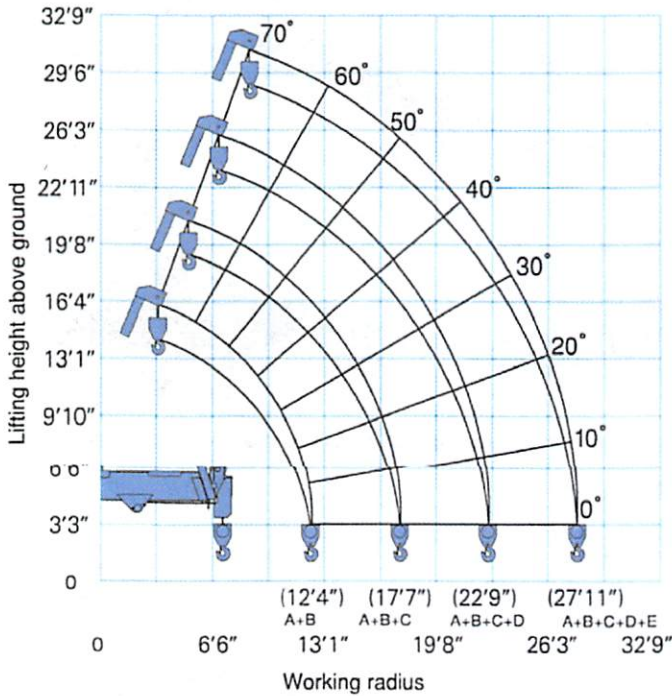
Crane capacity		6,172lbs X 4'11"
Max.working radius		27'10" X 330lbs
Max lifting height (on the ground)		28'6"
Winch system	Hook speed	37'/min(4layers, 4falls)
	Hoist wire rope	φ8mm(0.31") X 164'
Telescoping system	Type	Fully automatic 5-sections pentagonal telescopic boom (Section 3,4 and 5 slide simultaneously)
	Boom length	8'5"-13'8"-18'11"-24'1"-29'3"
	Boom telescoping stroke/Time	20'10"/22sec
Boom hoisting system	Boom angle / time	0-70°/8sec
Swing system	Swing angle / time	360°(continuous)/16sec
Outrigger	Type	Hydraulic cylinder jack
	Max.extended width	11'2" X 10'4"
Travel system	Type	Hydraulic motor reducer with brake
	Travel speed	0~1.16mph
	Grade ability	20°
	Crawler ground length X width	3'10" X 7"
Engine	Ground pressure	6.11psi
	Model	YANMAR 2TNV70 Certified to EPA Tier4
	Displacement	0.570ℓ [570cc]
	Continuous rated output	7.9kw/2,600min ⁻¹ [10.5hp,10.7PS/2,600rpm]
Electric motor	Starting method	Electric starting
	Fuel / Fuel tank capacity	Diesel/5.2gallon
	Motor type	Totally enclosed fan-cooled motor 4P,5.5kw, 220V-380V
Hydraulic	Hydraulic pump	Fixed torque dual piston pump
	Speed mode	High/Low
Remote	Operation	Boom telescoping, Hoisting, Swing, Winch, Engine speed control, Emergency stop, Alarm
Overall length X width X height		9'7" X 2'7" X 4'8"
Machine weight		3,858lbs (4,740lbs with electric motor)
Options		Moment limiter, Tricolored light, Head lamp, Electric motor 2falls/1fall hook



Mighty Crane

CR 285D

Working range chart



Working radius and lifting height are based on unloaded condition, excluding deflection of the boom.

Table of Total Rated Load [5-section boom]

When booms A and B are used

Working radius	~4'11"	6'6"	8'2"	9'10"	11'5"	12'1"			
Total rated load (lbs)	6,172	4,850	3,637	2,711	2,138	1,895			

When booms A, B and C are used

Working radius	~9'6"	9'10"	11'5"	13'1"	14'9"	16'4"	17'4"		
Total rated load (lbs)	2,755	2,689	2,138	1,697	1,344	1,168	1,036		

When booms A, B, C and D are used

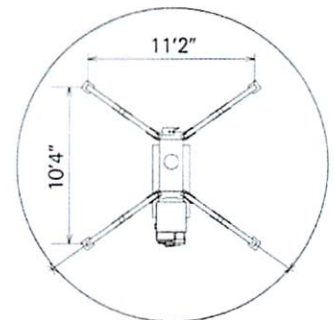
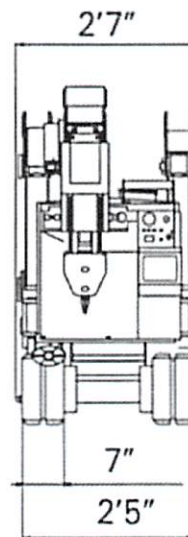
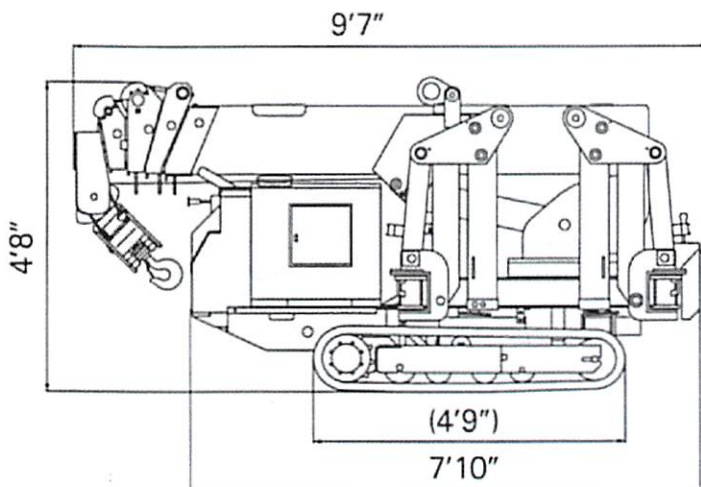
Working radius	~11'9"	13'1"	14'9"	16'4"	18'0"	19'8"	21'3"	22'7"	
Total rated load (lbs)	1,873	1,587	1,322	1,102	947	815	705	639	

When booms A, B, C, D and E are used

Working radius	~13'1"	16'4"	18'0"	19'8"	21'3"	22'11"	24'7"	26'3"	27'10"
Total rated load (lbs)	1,212	727	617	551	485	462	396	374	330

※Figures in each table includes 50.7lbs of hook block.

※There are different figures in some areas / directions. Refer to the operation manual for further detail.



ReachMaster, Inc.
 1416 D Stonehollow Dr.
 Kingwood, TX 77339
 TF: 866-358-7088
 Tel: 281-358-7088
 Fax: 281-359-3500
www.reachmaster.com

We reserve the right to alterations