

# LIBERATOR 3200



..... **better by design** .....

Ideal Crane LLC is committed to designing and manufacturing the best electric hydraulic crane value in the industry. Our cranes are innovatively designed to perform to a higher standard of durability and reliability, and to provide the maximum duty cycle possible in an electric crane. For nearly 50 years we've backed that commitment with our limited lifetime structural warranty and factory direct technical support. You can be assured that your new Ideal Liberator crane will provide many years of dependable service.



- ◆ Solid-state controls with Arc-Suppression circuits to extend life for switches and contactors.
- ◆ Large diameter swing bearing has stronger all-steel worm gear for positive "hillside" load locking.
- ◆ "eXtended On Time" hydraulic system increases duty cycle and prevents costly breakdowns.
- ◆ Meets OSHA 1910.180 and ANSI B30.5 specifications.

[www.idealcrane.com](http://www.idealcrane.com)

IDEAL CRANE LLC - PO BOX 35249 - TULSA, OKLAHOMA 74153-0249

# LIBERATOR 3200

- 3200 lbs. Maximum Capacity
- 10,500 ft-lbs Crane Rating

## SPECIFICATIONS

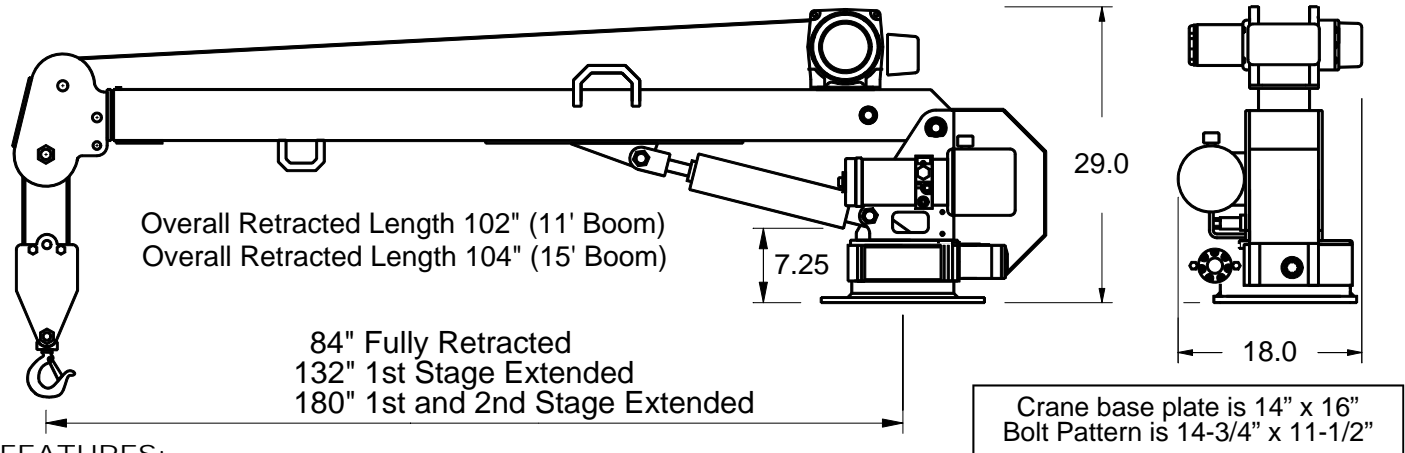
Liberator 3200 cranes come complete with 25' power cable, a crane grounding cable, a 225 amp fuse, a 4' frame grounding cable, 25' remote control pendant, mounting bolts and owner's manual.

All Liberator 3200 cranes are shipped assembled, factory tested and ready to go to work.

1000 amp CCA battery and 100 amp alternator recommended. 8,000 GVW chassis recommended minimum.

### ► Maximum Lifting Capacities ◀

3200 Lbs.	@ 3 ft.	1312 Lbs.	@ 8 ft.
2625 Lbs.	@ 4 ft.	1050 Lbs.	@ 10 ft.
2100 Lbs.	@ 5 ft.	954 Lbs.	@ 11 ft.
1750 Lbs.	@ 6 ft.	807 Lbs.	@ 13 ft.
1500 Lbs.	@ 7 ft.	700 Lbs.	@ 15 ft.



### FEATURES:

- Self-contained 12 Volt DC hydraulic system supplies 2.2 gallons per min, powered by high-output extended on time series wound motor.
- Automatic overload protection prevents hoist up, boom extension and boom down.
- Anti two-block system is standard on all cranes with power extension.
- Large diameter, self-locking, all steel worm gear rotation drive mounted on steel slewing ring crane bearing and provides 360 degree continuous power rotation.
- Load cushioning counterbalance/check valves on all cylinders for precise load holding and handling.
- Safety valves on all cylinders prevents load drop if hose fails.
- 100% Solid-state control system has arc-suppression circuitry for extended life of switches, contactors and motors.
- Hydraulic boom elevation from  $-5^{\circ}$  to  $75^{\circ}$ .
- 25' remote control pendant with "Quik-Turn" connector.
- Planetary gear hoist is designed for maximum power, efficiency and hook speed.
- Industrial grade electrical contactors, no automotive type solenoids.
- 65' of 7/32" wire rope. Hoist drum and wire rope are on the outside of the boom where they are visible to the operator.
- Permanently lubricated polymer wire rope pulleys reduce wire rope wear.
- Boom extensions slide on low friction self-lubricating polymer slide pads.
- Meets OSHA 1910.180 requirements, and ANSI B30.5 safety standards.
- Powder coat finish for high gloss and durability.
- Mounting bolts provided (4 ea. 1/2" gr 8).

Model	Power Boom	Power Extend	Manual Extend	Weight	O.A. Lgth Retracted	O.A. Width
LIB 3200 XTW-PR	Yes	No	7' to 11'	580#	8' 6"	18"
LIB 3200 XTW15-PR	Yes	No	7' to 15'	617#	8' 8"	18"
LIB 3200 PXTW-PR	Yes	7' to 11'	none	660#	8' 6"	18"
LIB 3200 PXTW15-PR	Yes	7' to 11'	11' to 15'	697#	8' 8"	18"



PO Box 35249 - Tulsa, Oklahoma 74153-0249  
(800) 622-6163 fax (918) 234-0564  
www.idealcrane.com

Distributed by: