



AT A GLANCE:

- Rated Capacity -- 30,000 pounds
- Vertical Reach to 45' 7"
- Horizontal Reach to 36'
- Continuous Rotation
- Deck Capacity -- 17,000 pounds
- 4-Wheel Steer
- Hydraulic Outriggers
- 7' 11" Overall Height

bmc BRODERSON
Manufacturing Corp.

P.O. Box 14770, Lenexa, KS 66285-4770
(913) 888-0606 • FAX (913) 541-0690
• FAX (913) 888-8431 (Sales)

IC-200

IC-200-1B

All Capacities For 360° Rotation

Load Radius Feet	Booms Retracted	Booms Extended		15' Boom Extension Installed	
	On Outriggers	On Rubber	On Outriggers	On Rubber	On Outriggers
6	30000	16000	30000	7500	7500
8	25000	13000	24000	7500	7500
10	20000	11000	20000	7500	7500
12	16000	8500	16000	7500	7500
14		6600	11950	6000	7000
16		5025	10500	5000	6500
19		3825	8875	4000	5800
22		2950	7600	3400	5200
25		2450	6350	2800	4600
28		2125	5300	2200	4000
31				1700	3600
34				1400	3300
38				1000	3000
43				700	2700

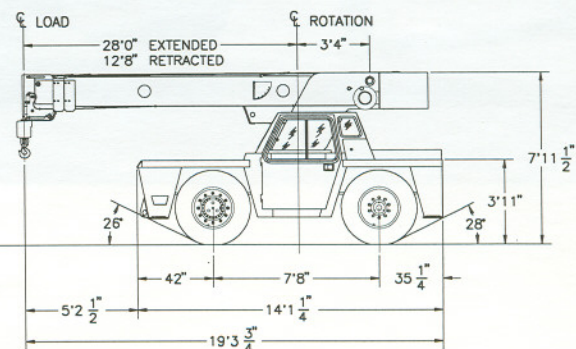
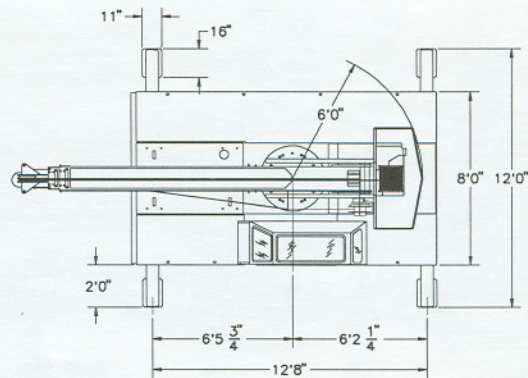
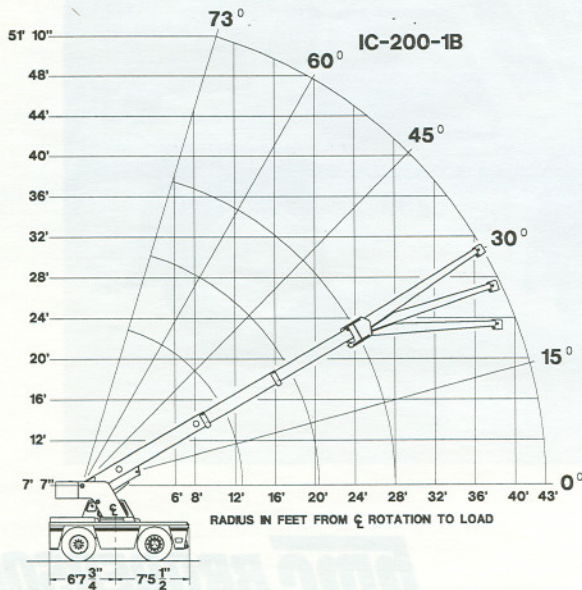
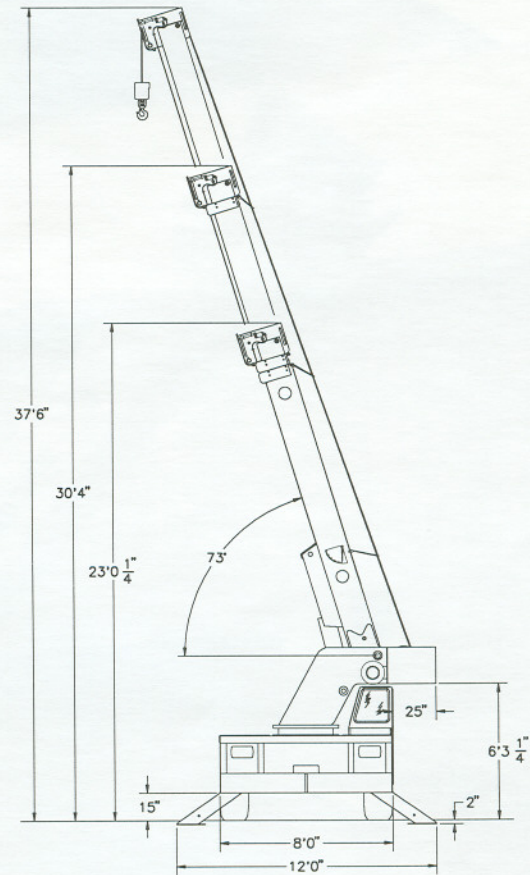
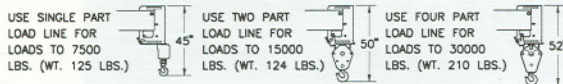
Capacities on outriggers are 85% of tipping loads. Capacities on rubber are 75% of tipping loads. Capacities below bold line are limited by tipping. Other capacities are limited by structural or hydraulic capability. Deduct 400 lbs. with Boom Extension in stowed position.

15 Ft. Boom Extension Angle Chart

Boom Ext. Offset Angle	Main Boom Angle						
	0°	15°	30°	40°	50°	60°	70°
0°	---	3100	3450	3900	4650	6000	7500
15°	---	3000	3100	3300	3650	4250	5200
30°	---	---	3000	3050	3200	3450	3900

*Use 0° for straight boom extension.

The boom extension installed chart and the boom extension angle chart must both be considered when using boom extension. The smaller capacity selected between the two charts must be used.



IC-200-2B

All Capacities For 360° Rotation

Load Radius Feet	Booms Retracted	Booms Extended		15' Boom Extension Installed	
	On Outriggers	On Rubber	On Outriggers	On Rubber	On Outriggers
6	30000	16000	30000		
8	25000	13000	24000	7500	7500
10	19500	11000	19800	7500	7500
12	16000	8000	16000	7500	7500
14	13500	6200	12500	6000	7500
16		5000	9500	5000	7000
19		3700	7900	4000	6000
22		2800	7000	3000	5000
25		2200	6100	2400	4500
28		1800	5100	1900	4000
32		1400	4100	1400	3500
36		1100	3300	1000	3100
40				750	2700
45				500	2200
51				200	1700

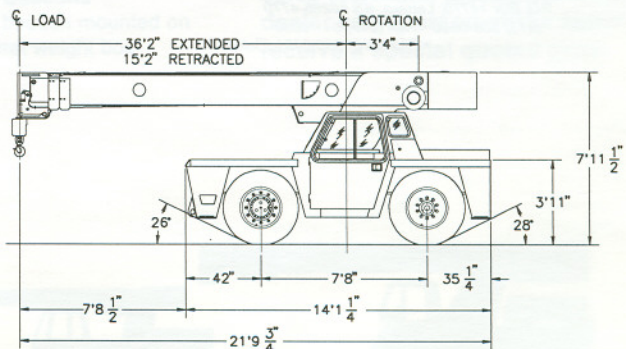
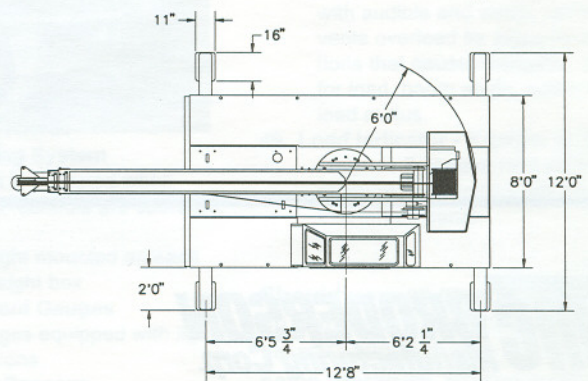
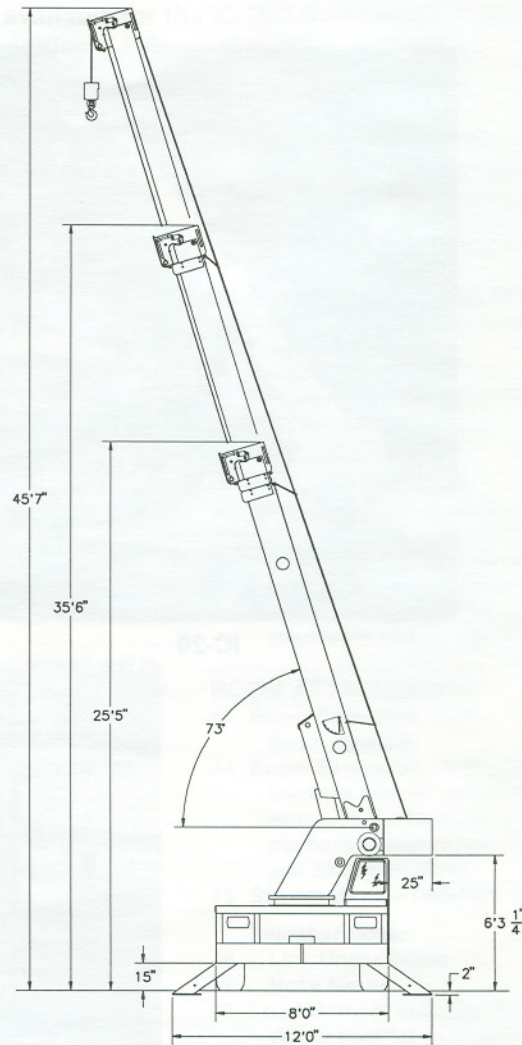
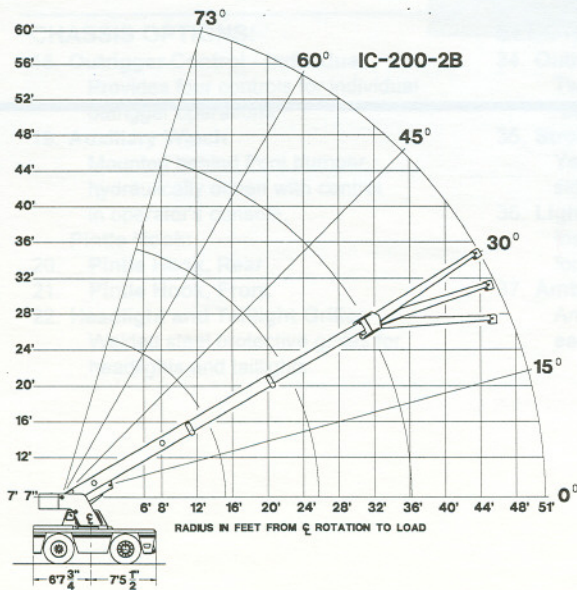
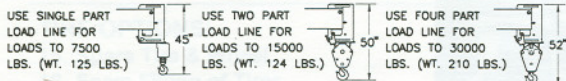
Capacities on outriggers are 85% of tipping loads. Capacities on rubber are 75% of tipping loads. Capacities below bold line are limited by tipping. Other capacities are limited by structural or hydraulic capability. Deduct 400 lbs. with Boom Extension in stowed position.

15 Ft. Boom Extension Angle Chart

Boom Ext. Offset Angle	Main Boom Angle						
	0°	15°	30°	40°	50°	60°	70°
0°	—	3100	3450	3900	4650	6000	7500
15°	—	3000	3100	3300	3650	4250	5200
30°	—	—	3000	3050	3200	3450	3900

*Use 0° for straight boom extension.

The boom extension installed chart and the boom extension angle chart must both be considered when using boom extension. The smaller capacity selected between the two charts must be used.



GENERAL:

Weight:
 IC-200-1B 26,200 lbs.
 IC-200-2B 26,500 lbs.

Gradeability: 70%

Turning Radius:
 (C/L of Outside
 Steering Wheel) 13' 5"

Aisle Width for 90° Turn: 11' 10"

Boom Movement:	IC-200-1B	IC-200-2B
Rotation	Continuous	Continuous
Elevation	0° to 73°	0° to 73°
Extension	15' 4"	21' 0"

Boom Speeds:		
Rotation	1.8 RPM	1.8 RPM
Elevation	21 sec.	21 sec.
Extension	18 sec.	28 sec.

ENGINE:

	Standard	Optional	Optional	Optional
Make	Ford	Perkins	J. Deere	Cummins
Model	CSG-649	4.236	4.039D	4B3.9
Type	Gas	Diesel	Diesel	Diesel
No. Cyl.	6	4	4	4
Displacement	300 CID	236 CID	239 CID	239 CID
HP @ Gov.				
Speed	112	80	80	76

Fuel Tank Capacity: 30 Gallons

TRANSMISSION:

Make: Borg Warner
Model: PR-1/T18
Type: Reversing gearbox and manual shift 4-speed gearbox. Equipped with torque convertor and transmission oil cooler. Torque convertor has stall ratio of 2.0:1.

Gear Ratio:	Forward	Reverse
First	6.324:1	6.956:1
Second	3.092:1	3.401:1
Third	1.686:1	1.855:1
Fourth	1.000:1	1.000:1

AXLES:

Drive Axle: **Standard**
Make Clark
Model 12S0736
Gear Ratio 19.54:1
Location Front
 Differential equipped with "limited slip" feature

Gear	Travel Speed	Drawbar Pull*
First	2.1 MPH	20,420
Second	4.9 MPH	9,682
Third	9.4 MPH	4,906
Fourth	16.0 MPH	2,699

*Drawbar pull is calculated

Steering Axle: (Non-Driving)

Make Rockwell
Model FL-941
Location Rear
Oscillation 1-1/2 Degrees in either direction

STEERING:

Standard:
 Full hydraulic orbitrol unit with two double-acting hydraulic cylinders attached to each axle. Steering modes include:
 Rear wheel steer & round steer.

BRAKES:

Service: 4-Wheel hydraulic with hydraulic power booster
Parking: Band type mounted on transmission

TIRES:

15.00 x 22.5, 16-ply, highway type tread

CHASSIS:

CARGO DECK:
 71 square feet of deck area. 17,000 lbs. capacity on deck when load is centered over or between axles. A storage box is located in front carry deck. Steps located on front corners.

OUTRIGGERS:
 Four hydraulic outriggers of box beam construction with direct-connected holding valves. Independent controls for left and right-hand outriggers. Outrigger pad dimension 11" x 16".

ACCESSORY STORAGE BOX:
 Storage box is 14" deep x 10-1/2" long x 36 1/2" wide, located in front carry deck.

ELECTRICAL:

12 Volt System
Lighting Package:
 One pair headlights with Hi and Low beams, back-up lights, integral tail, brake and turn signals and front turn signals.

Instrument Package:
 Fuel, ammeter, oil pressure, water temperature, convertor oil temperature gauges and hourmeter.

Back-Up Alarm:
 Provides pulsating sound when transmission is in reverse.

HYDRAULIC SYSTEM:

Tandem pump, direct-driven by engine crankshaft, rated at 22 and 34 GPM at rated RPM. Hydraulic oil tank capacity of 34 gallons.

BOOM ASSEMBLY:

Three-section boom assembly equipped with bearing pads, double acting hydraulic cylinders with direct-connected holding valves and boom angle indicator on each side of boom.

Boom Rotation:
 Heavy-duty ball bearing rotation gear with external teeth. Rotation is powered by hydraulic motor and worm gear drive.

Boom Hoist:
 Turret mounted planetary gear hoist hydraulically powered with a bare drum line pull of 10,000 lbs. at a line speed of 110 FPM. Includes downhaul weight, swivel hook and sheave block for 4-part line and 220 ft of 1/2" hoist rope.

Anti-Two Block Device:
 Prevents damage to hoist rope and/or crane components from pulling load hook against tip.

Listed below are brief descriptions of each option available for the IC-200-B Industrial Cranes. Consult the IC-200-B Engineering Spec for additional information on each option.

MODELS:

1. IC-200-1B Industrial Crane with 12' 8"-28' Boom
2. IC-200-2B Industrial Crane with 15' 2"-36' 2" Boom

ENGINE:

4. **LP Gas Fuel System**
Contains all necessary components for LP gas operations.
5. **Dual Fuel System**
Contains all necessary components to burn LP gas and gasoline.
- Diesel Engines:**
6. **Perkins**
4-cylinder, Model D4.236
7. **John Deere**
4-cylinder, Model 4.039D
8. **Cummins**
4-cylinder, Model 4B3.9
9. **Spark Arrester Muffler**
Installed in addition to std. muffler.
10. **Catalytic Convertor**
Reduces engine emissions, Diesel only.
11. **Engine Heater**
Engine coolant heater installed to circulate warm water through engine, plugs into 120 volt AC.
12. **Ether Injection System**
Ether starting aid controlled by switch in operator compartment and injects ether directly into intake manifold.
13. **Engine Shut Down Gauges**
Shuts engine off when high water temperature or low engine oil pressure occurs.

TIRE OPTIONS:

15. Spare Tire & Wheel
16. Foam Filling of Tires

CHASSIS OPTIONS:

18. **Outrigger Control - Individual**
Provides four controls for individual outrigger operations.
19. **Auxiliary Winch**
Mounted behind front bumper, hydraulically driven with control in operator's console.
- Pintle Hook:**
20. **Pintle Hook, Rear**
21. **Pintle Hook, Front**
22. **Headlight and Taillight Grilles**
Welded steel protective grilles for headlights and taillights.

CHASSIS OPTIONS: Cont'd

23. **Rearview Mirrors**
One mounted on right-hand deck stake and 1 mounted on left-hand deck stake.
24. **Lifting Rings**
Lifting rings at each corner of carry deck so sling can be attached for lifting crane.

OPERATOR COMPARTMENT OPTIONS:

25. **Operator Guard**
Tubular steel weldment with heavy expanded steel mesh top section.
26. **Operator Guard Cover**
Canvas cover with windows to go over Operator Guard, for inclement weather operations.
27. **Operator Guard Door**
Hinged door covers operator compartment side opening.
28. **All-Weather Cab**
Rigid-mounted canopy section and removable hinged door. Includes heater, electric windshield wiper, one sliding glass window in the door & one in the right side of canopy. Defroster fan included.
29. **Cab Heater Only**
Heater with two-speed fan for units without All-Weather Cab.
30. **Windshield Washer**
Includes reservoir, pump and nozzle.
31. **Floor Mat**
Vinyl mat with foam backing.
32. **Operator Suspension Seat**
Provides additional operator comfort.
33. **Noise Reduction Kit**
Includes floor mat, control valve and side panels of foam backed vinyl for noise reduction.

ELECTRICAL OPTIONS:

34. **Outrigger Warning System**
Two-tone alarm is activated when "outrigger down" controls are operated.
35. **Strobe Lights**
Yellow strobe light mounted on each side of turret weight box.
36. **Lighted Instrument Gauges**
Instrument gauges equipped with lights for night operations.
37. **Amber Rotating Beacons**
Amber rotating beacon mounted on each side of turret weight box.

ELECTRICAL OPTIONS: Cont'd

38. **Boom Work Lights**
One work light mounted to boom to light boom tip and one work light mounted to turret to light ground under boom tip.
39. **Boom Work Lights and Beacons**
Boom work lights and amber rotating beacons installed.
40. **Boom Work Lights and Strobe**
Boom work lights and strobe lights installed.
41. **Dome Light**
Interior light installed for units equipped with an All-Weather Cab.

HYDRAULIC OPTIONS:

42. **Boom Structural Protection System**
Important to understand fully the description of the Boom Structural Protection System described in the IC-200 Engineering Spec. This option is not intended to and will not replace an LMI.

BOOM ATTACHMENTS:

43. **Boom Extension, 15 Ft.**
Boom stowable.
44. **Boom Extension, 15 Ft., Offsettable**
Same as item 43, except the boom extension is offsettable to 3 different positions; 0 degree (inline), 15 degree and 30 degree offset.
45. **Sheave Block - Two-Part**
Searcher Hook:
46. **Link Under Boom**
47. **Nose Mount**
48. **Load Moment Indicator-Krueger or PAT**
Warns operator of impending overload with audible and visual signals. Prevents overload by stopping boom functions that cause overloads. Readouts for load, boom angle, boom length, and load radius.
49. **Load Indicator - Krueger or PAT**
Includes 3-sheave load sensor on top of boom and readout box on top of instrument panel.

Should you, as an end user, require an option or special equipment on your IC-200-B that is not listed on our sales literature, please contact your dealer salesperson or the factory to receive a special quoted price.



IC-200



IC-20



IC-80



IC-35

BMC BRODERSON
Manufacturing Corp.

P.O. Box 14770, Lenexa, KS 66285-4770
(913) 888-0606 • FAX (913) 541-0690
• FAX (913) 888-8431 (Sales)