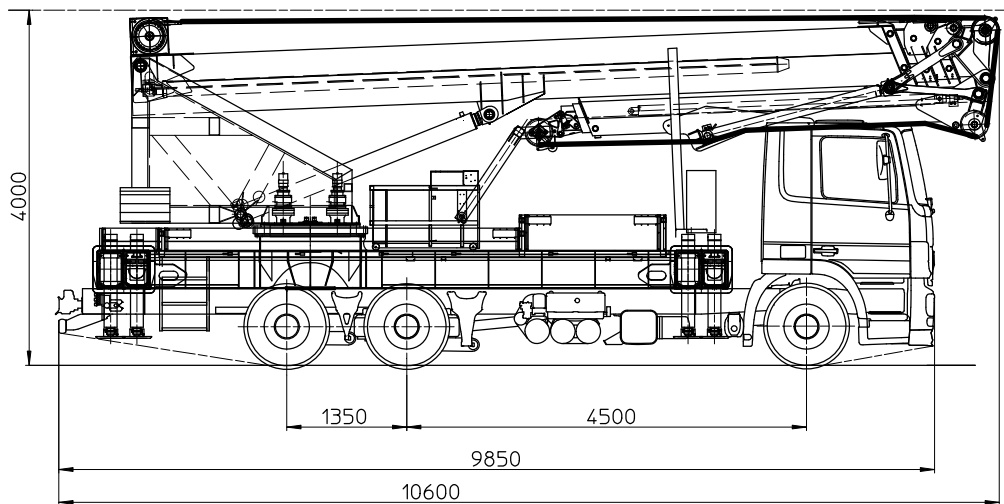


## Böcker-Truck Crane AK 41/6000 PLC

as at 07/2010

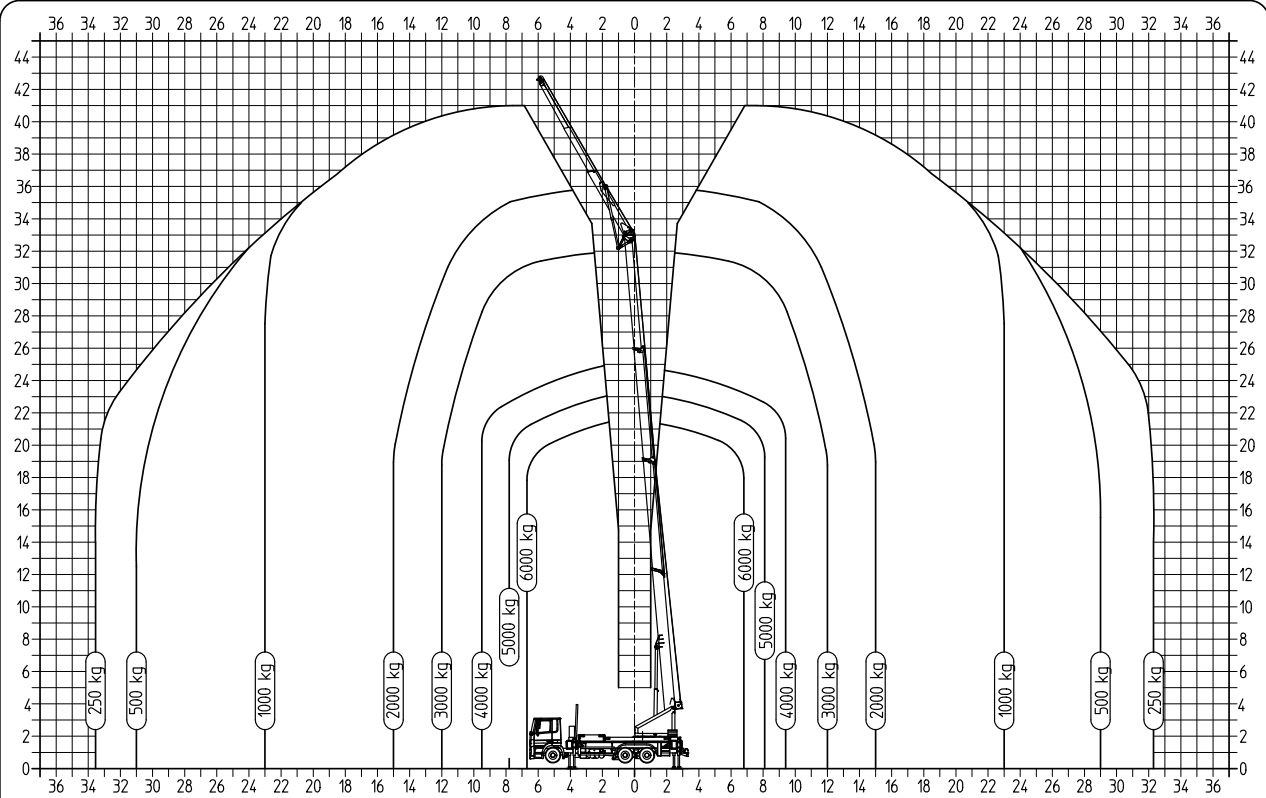


### Dimensions /Specifications

Angle of telescope arm	approx. 85 degree	<i>Max. range of crane operation</i>	
Angle of jib	approx. 155 degree	6000 kg Lifting capacity	approx. 7,00 m
Swivel range	approx. 620 degree	3000 kg Lifting capacity	approx. 12,10 m
Working height up to jib	approx. 32,50 m	2000 kg Lifting capacity	approx. 15,20 m
Max. extension length	approx. 41,00 m	1000 kg Lifting capacity	approx. 23,00 m
Extendible jib:		500 kg Lifting capacity	approx. 29,00 m
Basic length	approx. 5,00 m		
Extendible max.	approx. 11,00 m	<i>Max. range of platform operation</i>	
Capacity hydraulic pump	approx. 140 litre	250 kg Lifting capacity	approx. 30,00 m
Hook speed	approx. 57 m/min	Max. working height	approx. 41,00 m
Support length	approx. 6,50 m		
Support width	approx. 5,35 m		
One- sided support	approx. 3,96 m	<i>Truck Data</i>	
Length vehicle	approx. 10,60 m	Wheelbase min.	4500/1350 mm
Width vehicle	approx. 2,55 m	Gross vehicle weight	26,00 t
Height vehicle	approx. 4,00 m	Max. dead weight	8,00 t
Body weight	approx. 16.000 kg		

**All rights reserved for changes in dimension and construction!**

## Work diagram

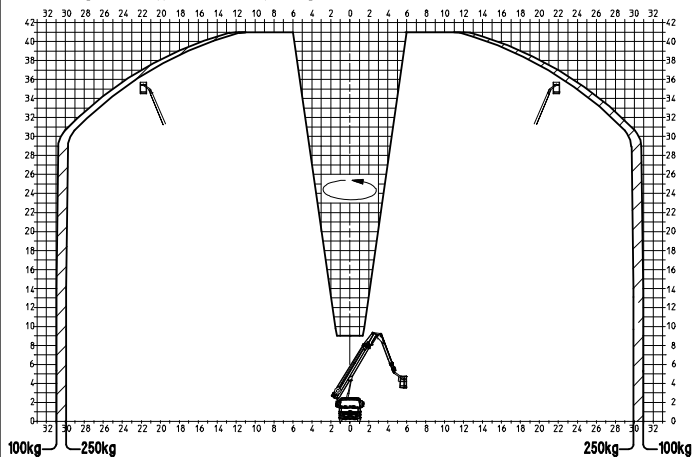


**AK 41/6000**

Max. Reichweiten bei ganz ausgefahrenen Stützen  
Maße in Meter (m). Maß- und Konstruktionsänderungen vorbehalten !

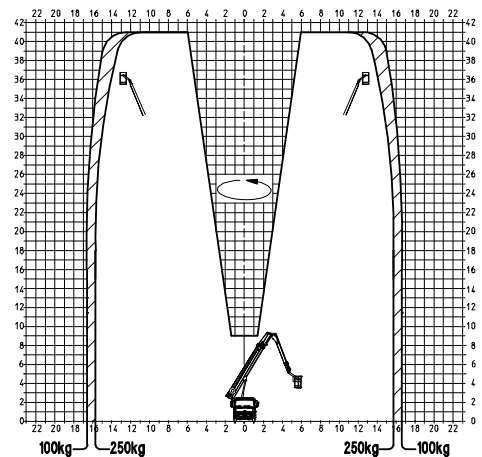
103161

Stützen ausgefahren / Supports sortis / Sleupolen uitgeschoven / Stabilizzatori usciti



Maß- und Konstruktionsänderungen vorbehalten. Maße in Metern (m).  
Modifications de mesures et de construction réservées. Mesures en mètres (m)  
Maat- en constructiegegevens onder voorbehoud. Afmetingen in meter (m).  
Con riserva di cambiamenti della costruzione e misure. Misure in metri (m).

Stützen eingefahren / Supports rentrés / Sleupolen ingeschoven / Stabilizzatori rientrati



AK 41/6000

103160

**All rights reserved for changes in dimension and construction!**