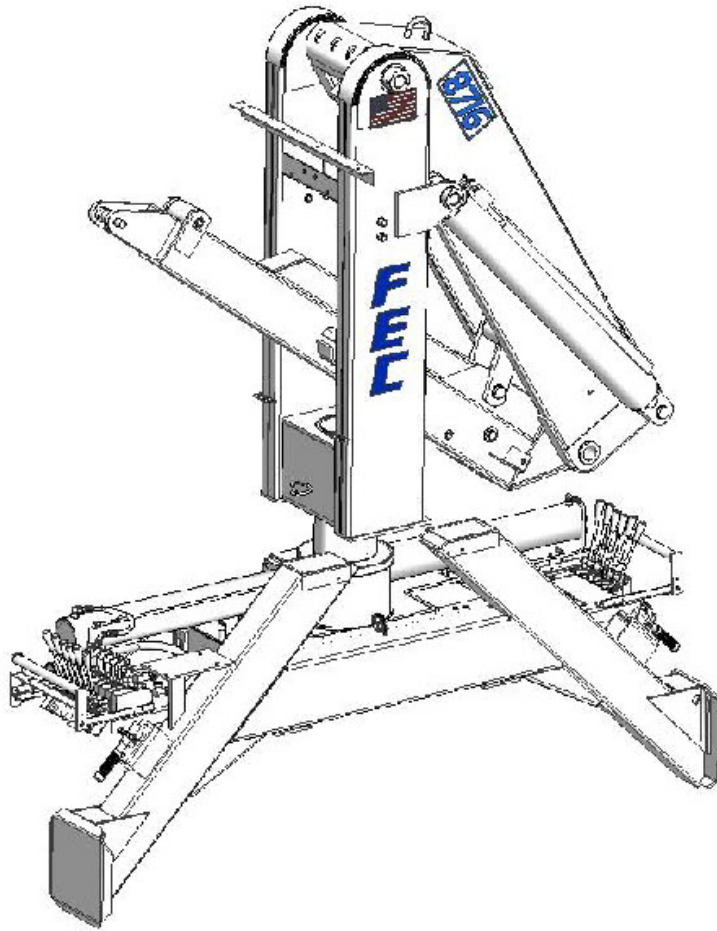


# 8716

96,000 ft.lbs. Rating



Load holding valves on all lift cylinders.

Rack and pinion rotation for superior power and durability.

Center mounted with "A" frame outriggers.

Overload by-pass system built into main control valve banks.

Optional Radio remote control with manual lever back up.



**FLEET EQUIPMENT CORPORATION**

*The most trusted name in tire trucks.*

800.631.0873