



4

R-B International

CH 135 HD

serial number: various

35.6 t counterweight

Summaries



4.1

R-B International CH 135 HD, liftratings 360°, main boom
 This summary is extracted from the Euro-standard load charts 98054 16 rev. 0, cwt. 35.6 t

98054 16/74

rev. 0
 2000.05.30

boomlength: parts reeving radius \ wind	serial number: various																					
	12.0	15.0	18.0	21.0	24.0	27.0	30.0	33.0	36.0	39.0	42.0	45.0	48.0	51.0	54.0	57.0	60.0	63.0	66.0	69.0	72.0	75.0
4.0	12	12	12	10	9	8	7	6	6	5	4	4	4	4	3	3	3	3	2	2	2	2
4.5	135	135	135	131	105	90.1	79.1	70.2	63.3	57.2	49.3	47.8	41.8	40.8	36.2	34.9	31.0	27.6	24.3	22.4	21.9	19.9
5.0	135	135	135	131	105	90.1	79.1	70.2	63.3	57.2	49.3	47.8	41.8	40.8	36.2	34.9	31.0	27.6	24.3	22.4	21.9	19.9
5.5	129	122	115	109	94.1	80.1	71.1	63.3	57.2	49.3	47.8	41.8	40.8	36.2	34.9	31.0	27.6	24.3	22.4	21.9	19.9	18.2
6.0	114	108	103	98.3	84.1	71.1	63.3	57.2	49.3	47.8	41.8	40.8	36.2	34.9	31.0	27.6	24.3	22.4	21.9	19.9	18.2	17.8
6.5	102	97.4	93.0	89.0	75.5	63.3	57.2	49.3	47.8	41.8	40.8	36.2	34.9	31.0	27.6	24.3	22.4	21.9	19.9	18.2	17.8	17.4
7.0	92.0	88.5	84.7	81.4	69.7	57.2	49.3	47.8	41.8	40.8	36.2	34.9	31.0	27.6	24.3	22.4	21.9	19.9	18.2	17.8	17.4	17.0
7.5	82.3	81.0	77.7	74.9	63.3	57.2	49.3	47.8	41.8	40.8	36.2	34.9	31.0	27.6	24.3	22.4	21.9	19.9	18.2	17.8	17.4	17.0
8.0	74.3	74.2	71.8	69.3	67.1	64.8	62.8	60.7	59.0	57.2	55.0	53.3	52.0	50.6	49.3	47.8	46.4	45.2	44.1	42.9	41.8	40.8
9.0	62.2	62.1	62.0	60.3	58.5	56.7	55.0	53.3	52.0	50.6	49.3	47.8	46.4	45.2	44.1	42.9	41.8	40.8	39.8	38.8	37.9	37.0
10.0	53.4	53.3	53.1	53.0	51.8	50.3	48.9	47.5	46.4	45.2	44.1	42.9	41.8	40.8	39.8	38.8	37.9	37.0	36.3	35.3	34.5	33.8
11.0	46.8	46.6	46.4	46.3	46.3	45.1	44.0	42.7	41.8	40.8	39.9	38.7	38.0	37.1	36.3	35.3	34.5	33.8	33.3	32.4	31.7	31.0
12.0	41.5	41.3	41.2	41.0	41.0	40.8	39.9	38.7	38.0	37.1	36.3	35.3	34.5	33.8	33.3	32.4	31.7	31.0	30.3	29.5	28.7	28.1
13.0	37.1	36.9	36.8	36.7	36.5	36.4	36.4	35.4	34.7	34.0	33.3	32.5	32.0	31.3	30.6	29.9	29.2	28.6	27.9	27.2	26.5	26.1
14.0	33.6	33.4	33.3	33.2	33.0	32.9	32.9	32.5	32.0	31.3	30.6	29.9	29.2	28.6	27.9	27.2	26.5	26.1	25.9	25.2	24.6	24.2
15.0	30.7	30.5	30.3	30.3	30.1	30.0	29.7	29.6	28.9	28.4	27.6	26.9	26.4	25.7	25.1	24.6	24.0	23.4	22.8	22.5	22.1	21.0
16.0	28.0	27.8	27.8	27.6	27.5	27.2	27.1	26.9	26.4	25.7	25.1	24.6	24.0	23.4	22.8	22.5	22.1	21.0	19.9	19.6	19.3	18.8
18.0	23.8	23.7	23.5	23.4	23.2	23.1	23.0	23.0	23.0	23.0	22.4	21.9	21.5	21.0	20.4	19.9	19.6	19.3	18.8	18.3	18.3	18.3
20.0	20.8	20.7	20.4	20.3	20.1	20.0	19.9	19.8	19.8	19.6	19.6	19.4	19.4	19.0	18.5	18.0	17.5	17.2	17.0	16.5	16.5	16.6
22.0	18.2	18.0	17.8	17.7	17.6	17.4	17.3	17.1	17.0	16.9	16.4	16.4	16.0	15.5	15.3	15.1	14.6	14.2	13.8	13.8	13.8	13.8
24.0	16.0	15.8	15.7	15.6	15.4	15.3	15.1	14.9	14.8	14.8	14.7	14.7	14.3	13.8	13.6	13.5	13.0	12.6	12.2	12.2	12.2	12.2
26.0	14.4	14.2	14.0	13.9	13.8	13.7	13.4	13.3	13.2	13.0	12.7	12.4	12.2	12.1	11.7	11.3	11.1	11.0	10.9	10.5	10.1	9.7
28.0	12.8	12.6	12.5	12.4	12.3	12.0	11.9	11.8	11.5	11.3	11.1	10.8	10.7	10.5	10.3	10.1	9.9	9.9	9.8	9.4	9.1	8.7
30.0	11.5	11.4	11.2	11.1	11.1	10.8	10.7	10.5	10.3	10.1	9.9	9.9	9.9	9.9	9.9	9.8	9.4	9.1	8.7	8.4	8.1	7.9
34.0	9.5	9.5	9.3	9.1	9.1	8.9	8.9	8.7	8.6	8.4	8.1	7.9	7.9	7.9	7.9	7.9	7.9	7.9	7.9	7.6	7.3	7.0
38.0	7.7	7.4	7.4	7.2	7.1	6.9	6.9	6.6	6.4	6.3	6.1	6.3	6.1	5.9	5.7	5.4	5.2	5.1	4.9	4.7	4.5	4.5
42.0	6.3	6.1	6.1	6.3	6.1	6.3	6.1	5.9	5.7	5.4	5.2	5.0	4.7	4.5	4.2	4.2	4.2	4.2	4.2	3.9	3.7	3.5
46.0	5.2	5.2	5.0	4.7	4.5	4.2	4.2	4.2	4.2	4.2	4.0	4.2	4.2	4.2	4.0	3.7	3.5	3.4	3.3	3.1	2.9	2.7
50.0	4.2	4.2	4.2	4.2	4.2	4.2	4.2	4.2	4.2	4.2	4.0	4.2	4.2	4.2	4.0	3.7	3.5	3.4	3.3	3.1	2.9	2.7
54.0	3.0	3.0	3.0	3.0	3.0	3.0	3.0	3.0	3.0	3.0	3.0	3.0	3.0	3.0	3.0	3.0	3.0	3.0	3.0	3.0	3.0	3.0
58.0	2.2	2.2	2.2	2.2	2.2	2.2	2.2	2.2	2.2	2.2	2.2	2.2	2.2	2.2	2.2	2.2	2.2	2.2	2.2	2.2	2.2	2.2
62.0	2.2	2.2	2.2	2.2	2.2	2.2	2.2	2.2	2.2	2.2	2.2	2.2	2.2	2.2	2.2	2.2	2.2	2.2	2.2	2.2	2.2	2.2
66.0	2.1	2.1	2.1	2.1	2.1	2.1	2.1	2.1	2.1	2.1	2.1	2.1	2.1	2.1	2.1	2.1	2.1	2.1	2.1	2.1	2.1	2.1
70.0	1.6	1.6	1.6	1.6	1.6	1.6	1.6	1.6	1.6	1.6	1.6	1.6	1.6	1.6	1.6	1.6	1.6	1.6	1.6	1.6	1.6	1.6
74.0	1.6	1.6	1.6	1.6	1.6	1.6	1.6	1.6	1.6	1.6	1.6	1.6	1.6	1.6	1.6	1.6	1.6	1.6	1.6	1.6	1.6	1.6
78.0	1.6	1.6	1.6	1.6	1.6	1.6	1.6	1.6	1.6	1.6	1.6	1.6	1.6	1.6	1.6	1.6	1.6	1.6	1.6	1.6	1.6	1.6
LLD-CODE BOOM	00	01	02	03	04	05	06	07	08	09	10	11	12	13	14	15	16	17	18	19	20	21

parts reeving max. load (t)	1	2	3	4	5	6	7	8	9	10	12
	12.8	25.4	37.8	49.8	61.7	73.3	84.7	95.8	107	117	135



EURO-RIGGING

LIFTING AND TRANSPORT CONSULTANTS

4.2

R-B International CH 135 HD, liftratings 360°, flyjib, 85° tower

This summary is extracted from the Euro-standard load charts 98054.16 rev. 0, cwt. 35.6 t

98054 16/75

rev. 0

2000.05.30

serial number: various

tower parts reeving min. jiboffset wind (m/s) radius/fib. (m)	24.0 m						30.0 m						36.0 m						42.0 m											
	6	5	4	3	2	2	6	4	4	3	2	2	6	4	4	3	2	2	6	4	4	3	2	2	6	4	4	3	2	2
	10°	14°	14°	14°	10°	10°	10°	10°	10°	10°	10°	10°	10°	10°	10°	10°	10°	10°	10°	10°	10°	10°	10°	10°	10°	10°	10°	10°	10°	10°
7.2	65.0																													
7.5	64.7																													
8.0	60.6	-					56.6																							
9.0	53.8	50.9					50.5																							
10.0	48.4	45.9	-				45.6	43.3																						
11.0	44.0	41.8	40.2				41.6	39.6	38.1																					
12.0	40.3	38.3	36.9	33.0			38.2	36.4	35.1	-																				
13.0	37.2	35.4	34.1	32.6	-		35.3	33.6	32.5	31.2																				
14.0	31.0	32.9	31.7	30.5	21.7	-	32.9	31.3	30.3	29.1	21.8																			
15.0	24.6	30.7	29.7	28.5	21.3	16.6	28.6	29.3	28.3	27.2	21.5																			
16.0	-	28.8	27.8	26.7	21.0	16.3	-	27.5	26.6	25.6	21.1	16.4																		
18.0	25.4	24.7	23.8	20.3	15.7	12.7	24.5	23.7	22.8	20.4	15.8	12.8																		
20.0	21.2	22.3	21.4	19.7	15.2	12.3	22.1	21.4	20.5	19.8	15.3	12.3																		
22.0	-	19.8	19.4	19.1	14.7	11.8	-	19.4	18.6	18.3	14.8	11.9																		
24.0	17.7	17.6	17.4	14.2	11.4		17.6	17.1	16.8	14.3	11.5																			
26.0	15.6	15.9	16.0	13.8	11.0		16.0	15.7	15.5	13.9	11.1																			
28.0	-	14.5	14.6	13.5	10.7		-	14.3	14.3	13.5	10.7																			
30.0	13.1	13.4	13.1	10.4			13.1	13.2	12.8	10.4																				
32.0	11.7	12.0	12.1	10.1			11.7	12.1	12.2	11.9	10.1																			
34.0	-	10.8	11.2	9.8			-	11.3	11.1	9.8																				
36.0	9.8	10.4	9.6				10.5	10.3	9.5																					
38.0	8.9	9.4	9.3				9.8	9.6	9.3																					
40.0	-	8.6	8.8				-	8.9	8.7																					
42.0	7.9	8.1	8.1				8.4	8.1	8.1																					
44.0	-	7.4	7.4				-	7.9	7.6																					
46.0	6.8	6.8	6.3				7.2	7.2	7.2																					
48.0	6.3	6.3					6.7	6.7	6.7																					
50.0	6.3	6.3					6.3	6.3	6.3																					
52.0	6.2	6.2					6.2	6.2	6.2																					
54.0	-	-					-	-	-																					



EURO-RIGGING

LIFTING AND TRANSPORT CONSULTANTS

98054 16/76

rev. 0

2000.05.30

serial number various

R-B International CH 135 HD, liftratings 360°, flyjib, 85° tower

This summary is extracted from the Euro-standard load charts 98054 16 rev. 0, cwt. 35.6 t

tower parts reeving min. jiboffset wind (m/s) radius/jib (m)	48.0 m						54.0 m						57.0 m						60.0 m											
	3	3	2	2	2	2	2	2	2	2	2	2	2	2	2	2	2	2	2	2	2	2	2	2	2	2				
	10°	10°	10°	10°	10°	10°	10°	10°	10°	10°	10°	10°	10°	10°	10°	10°	10°	10°	10°	10°	10°	10°	10°	10°	10°	10°				
12.0	18.0	24.0	30.0	36.0	42.0	48.0	18.0	24.0	30.0	36.0	42.0	48.0	18.0	24.0	30.0	36.0	42.0	48.0	18.0	24.0	30.0	36.0	42.0	48.0	18.0	24.0	30.0	36.0	42.0	48.0
9.0																														
10.0	31.3																													
11.0	30.3	27.3																												
12.0	29.4	26.5																												
13.0	28.5	25.8	22.7																											
14.0	27.7	25.1	22.2	20.1																										
15.0	26.8	24.5	21.6	19.6																										
16.0	25.3	23.9	21.2	19.2	17.4																									
18.0		21.8	20.3	18.4	16.7	15.1																								
20.0	19.8	19.2	17.6	16.0	14.5	12.6																								
22.0	18.1	17.5	16.8	15.4	13.9	12.1																								
24.0		16.1	15.5	14.9	13.4	11.6																								
26.0	14.9	14.3	13.7	12.9	11.2																									
28.0	13.9	13.3	12.7	12.2	10.9																									
30.0		12.4	11.8	11.3	10.5																									
32.0		11.6	11.1	10.6	10.1																									
34.0	10.9	10.4	9.9	9.4																										
36.0		9.8	9.3	8.8																										
38.0		9.2	8.7	8.3																										
40.0		8.8	8.2	7.8																										
42.0			7.8	7.3																										
44.0			7.4	6.9																										
46.0				6.6																										
48.0				6.2																										
50.0				5.9																										
52.0																														
54.0																														
56.0																														
58.0																														
60.0																														
LLD-CODE	104	105	106	107	108	109	110	111	112	113	114	115	116	117	118	119	120	121	122	123	124	125	126	127	128					



EURO-RIGGING

LIFTING AND TRANSPORT CONSULTANTS

98054 16/77

rev. 0

2000.05.30

serial number: various

R-B International CH 135 HD, liftratings 360°, flyjib, 75° tower

This summary is extracted from the Euro-standard load charts 98064 16 rev. 0, cwt. 35.6 t

tower parts reeving min. jiboffset wind [m/s] radius/jib [m]	24.0 m						30.0 m						36.0 m						42.0 m											
	3	2	2	2	2	2	3	2	2	2	2	2	3	2	2	2	2	2	3	2	2	2	2	2	3	2	2	2	2	2
	10°	10°	10°	10°	10°	10°	10°	10°	10°	10°	10°	10°	10°	10°	10°	10°	10°	10°	10°	10°	10°	10°	10°	10°	10°	10°	10°	10°	10°	10°
14.0	12.0	18.0	24.0	30.0	36.0	42.0	12.0	18.0	24.0	30.0	36.0	42.0	14.0	14.0	14.0	14.0	14.0	14.0	12.0	18.0	24.0	30.0	36.0	42.0	14.0	14.0	14.0	14.0	14.0	14.0
15.0	30.2	-	-	-	-	-	28.3	-	-	-	-	-	28.3	-	-	-	-	-	28.3	-	-	-	-	-	28.3	-	-	-	-	-
16.0	28.2	27.0	-	-	-	-	26.4	-	-	-	-	-	26.4	-	-	-	-	-	26.4	-	-	-	-	-	26.4	-	-	-	-	-
18.0	24.3	24.0	-	-	-	-	23.5	22.4	-	-	-	-	23.5	22.4	-	-	-	-	23.5	22.4	-	-	-	-	23.5	22.4	-	-	-	-
20.0	-	21.0	20.9	-	-	-	20.7	20.1	19.6	-	-	-	20.7	20.1	19.6	-	-	-	20.7	20.1	19.6	-	-	-	20.7	20.1	19.6	-	-	-
22.0	18.7	18.7	18.1	-	-	-	-	18.1	17.8	-	-	-	-	18.1	17.8	-	-	-	-	18.1	17.8	-	-	-	-	18.1	17.8	-	-	-
24.0	16.8	16.7	16.5	16.3	-	-	16.2	16.2	15.5	-	-	-	16.2	16.2	15.5	-	-	-	16.2	16.2	15.5	-	-	-	16.2	16.2	15.5	-	-	-
26.0	-	15.2	14.9	15.0	14.4	-	14.7	14.7	14.3	14.1	-	-	14.7	14.7	14.3	14.1	-	14.7	14.7	14.3	14.1	-	-	14.7	14.7	14.3	14.1	-	-	
28.0	-	13.8	13.5	13.6	13.3	-	-	13.4	13.1	13.0	12.5	-	-	13.4	13.1	13.0	12.5	-	-	13.4	13.1	13.0	12.5	-	-	13.4	13.1	13.0	12.5	-
30.0	12.7	12.4	12.5	12.2	11.1	-	12.3	12.0	12.1	11.5	11.0	-	12.3	12.0	12.1	11.5	11.0	-	12.3	12.0	12.1	11.5	11.0	-	12.3	12.0	12.1	11.5	11.0	-
32.0	-	11.5	11.5	11.2	10.7	-	11.3	11.0	11.1	10.7	10.2	-	11.3	11.0	11.1	10.7	10.2	-	11.3	11.0	11.1	10.7	10.2	-	11.3	11.0	11.1	10.7	10.2	-
34.0	10.6	10.6	10.4	10.1	-	-	-	10.2	10.3	10.0	9.5	-	-	10.2	10.3	10.0	9.5	-	-	10.2	10.3	10.0	9.5	-	-	10.2	10.3	10.0	9.5	-
36.0	9.9	9.9	9.6	9.4	-	-	9.5	9.5	9.3	8.9	8.5	-	9.5	9.5	9.3	8.9	8.5	-	9.5	9.5	9.3	8.9	8.5	-	9.5	9.5	9.3	8.9	8.5	-
38.0	-	9.2	9.0	8.7	-	-	-	8.8	8.9	8.6	8.3	-	-	8.8	8.9	8.6	8.3	-	-	8.8	8.9	8.6	8.3	-	-	8.8	8.9	8.6	8.3	-
40.0	-	8.6	8.4	8.1	-	-	-	8.3	8.0	7.7	7.3	-	-	8.3	8.0	7.7	7.3	-	-	8.3	8.0	7.7	7.3	-	-	8.3	8.0	7.7	7.3	-
42.0	8.1	7.8	7.6	-	-	-	7.8	7.5	7.2	-	-	-	7.8	7.5	7.2	-	-	-	7.8	7.5	7.2	-	-	-	7.8	7.5	7.2	-	-	-
44.0	-	7.3	7.1	-	-	-	-	7.0	6.8	-	-	-	-	7.0	6.8	-	-	-	-	7.0	6.8	-	-	-	-	7.0	6.8	-	-	-
46.0	-	6.9	6.6	-	-	-	-	6.6	6.3	-	-	-	-	6.6	6.3	-	-	-	-	6.6	6.3	-	-	-	-	6.6	6.3	-	-	-
48.0	-	6.2	-	-	-	-	-	6.2	5.9	-	-	-	-	6.2	5.9	-	-	-	-	6.2	5.9	-	-	-	-	6.2	5.9	-	-	-
50.0	-	5.9	-	-	-	-	-	5.6	-	-	-	-	-	5.6	-	-	-	-	-	5.6	-	-	-	-	-	5.6	-	-	-	-
52.0	-	5.5	-	-	-	-	-	5.3	-	-	-	-	-	5.3	-	-	-	-	-	5.3	-	-	-	-	-	5.3	-	-	-	-
54.0	-	-	-	-	-	-	-	5.0	-	-	-	-	-	5.0	-	-	-	-	-	5.0	-	-	-	-	-	5.0	-	-	-	-
56.0	-	-	-	-	-	-	-	4.7	-	-	-	-	-	4.7	-	-	-	-	-	4.7	-	-	-	-	-	4.7	-	-	-	-
58.0	-	-	-	-	-	-	-	4.4	-	-	-	-	-	4.4	-	-	-	-	-	4.4	-	-	-	-	-	4.4	-	-	-	-
60.0	-	-	-	-	-	-	-	-	-	-	-	-	-	-	-	-	-	-	-	-	-	-	-	-	-	-	-	-	-	-
62.0	-	-	-	-	-	-	-	-	-	-	-	-	-	-	-	-	-	-	-	-	-	-	-	-	-	-	-	-	-	-
64.0	-	-	-	-	-	-	-	-	-	-	-	-	-	-	-	-	-	-	-	-	-	-	-	-	-	-	-	-	-	-

LID-CODE_JIB 129 130 131 132 133 134 135 136 137 138 139 140 141 142 143 144 145 146 147 148 149 150 151 152 153 154 155 156



EURO-RIGGING

LIFTING AND TRANSPORT CONSULTANTS

98054 16/78

rev. 0

2000.05.30

serial number: various

R-B International CH 135 HD, liftratings 360°, flyjib, 75° tower

This summary is extracted from the Euro-standard load charts 98054 16 rev. 0, cwt. 35.6 t

tower parts reeving min. jib/offset wind (m/s) radius/jib (m)	48.0 m						54.0 m						57.0 m						60.0 m					
	2	2	2	2	2	2	2	2	2	2	2	2	2	2	2	2	2	2	2	2	2	2	2	2
	10°	10°	10°	10°	10°	10°	10°	10°	10°	10°	10°	10°	10°	10°	10°	10°	10°	10°	10°	10°	10°	10°	10°	10°
11	11	11	11	11	11	11	11	11	11	11	11	11	11	11	11	11	11	11	11	11	11	11	11	11
12.0	18.0	24.0	30.0	36.0	42.0	48.0	18.0	24.0	30.0	36.0	42.0	48.0	18.0	24.0	30.0	36.0	42.0	48.0	18.0	24.0	30.0	36.0	42.0	48.0
17.3	-	-	-	-	-	-	-	-	-	-	-	-	-	-	-	-	-	-	-	-	-	-	-	-
22.0	15.7	15.2	-	-	-	-	-	-	-	-	-	-	-	-	-	-	-	-	-	-	-	-	-	-
24.0	14.4	13.9	-	-	-	-	13.0	-	-	-	-	-	-	-	-	-	-	-	-	-	-	-	-	-
26.0	-	12.8	12.5	-	-	-	12.0	-	-	-	-	-	-	-	-	-	-	-	-	-	-	-	-	-
28.0	11.9	11.5	11.0	-	-	-	11.1	10.6	-	-	-	-	-	-	-	-	-	-	-	-	-	-	-	-
30.0	11.1	10.7	10.2	9.7	-	-	10.4	9.8	9.3	-	-	-	-	-	-	-	-	-	-	-	-	-	-	-
32.0	-	10.0	9.5	9.0	8.5	-	9.7	9.1	8.6	8.2	-	-	-	-	-	-	-	-	-	-	-	-	-	-
34.0	-	9.4	8.9	8.4	7.9	-	-	8.6	8.1	7.6	7.1	-	-	-	-	-	-	-	-	-	-	-	-	-
36.0	-	8.8	8.3	7.9	7.4	6.9	8.1	7.6	7.1	6.6	6.2	-	-	-	-	-	-	-	-	-	-	-	-	-
38.0	-	-	7.8	7.4	6.9	6.5	7.6	7.1	6.7	6.2	5.7	-	-	-	-	-	-	-	-	-	-	-	-	-
40.0	-	-	7.4	7.0	6.5	6.0	-	6.7	6.3	5.8	5.3	-	-	-	-	-	-	-	-	-	-	-	-	-
42.0	-	-	7.0	6.6	6.1	5.7	6.3	5.9	5.4	5.0	4.6	-	-	-	-	-	-	-	-	-	-	-	-	-
44.0	-	-	-	6.2	5.8	5.3	5.0	5.6	5.1	4.7	-	-	-	-	-	-	-	-	-	-	-	-	-	-
46.0	-	-	-	5.9	5.4	5.0	-	5.3	4.8	4.4	4.0	-	-	-	-	-	-	-	-	-	-	-	-	-
48.0	-	-	-	5.5	5.1	4.7	5.0	4.5	4.1	3.7	3.3	-	-	-	-	-	-	-	-	-	-	-	-	-
50.0	-	-	-	-	4.9	4.4	-	4.3	3.9	3.5	3.1	-	-	-	-	-	-	-	-	-	-	-	-	-
52.0	-	-	-	-	4.6	4.2	4.1	3.6	3.2	2.8	2.4	-	-	-	-	-	-	-	-	-	-	-	-	-
54.0	-	-	-	-	4.4	4.0	3.9	3.4	3.0	2.6	2.2	-	-	-	-	-	-	-	-	-	-	-	-	-
56.0	-	-	-	-	-	3.7	-	3.2	2.8	2.4	2.0	-	-	-	-	-	-	-	-	-	-	-	-	-
58.0	-	-	-	-	-	3.6	-	3.0	2.6	2.2	1.8	-	-	-	-	-	-	-	-	-	-	-	-	-
60.0	-	-	-	-	-	-	-	2.9	2.5	2.1	1.7	-	-	-	-	-	-	-	-	-	-	-	-	-
62.0	-	-	-	-	-	-	-	2.8	2.4	2.0	1.6	-	-	-	-	-	-	-	-	-	-	-	-	-
64.0	-	-	-	-	-	-	-	2.6	2.2	1.8	1.4	-	-	-	-	-	-	-	-	-	-	-	-	-
66.0	-	-	-	-	-	-	-	2.5	2.1	1.7	1.3	-	-	-	-	-	-	-	-	-	-	-	-	-
68.0	-	-	-	-	-	-	-	2.4	2.0	1.6	1.2	-	-	-	-	-	-	-	-	-	-	-	-	-
70.0	-	-	-	-	-	-	-	2.2	1.8	1.4	1.0	-	-	-	-	-	-	-	-	-	-	-	-	-
72.0	-	-	-	-	-	-	-	-	-	-	-	-	-	-	-	-	-	-	-	-	-	-	-	-

LLD-CODE 157 158 159 160 161 162 163 164 165 166 167 168 169 170 171 172 173 174 175 176 177 178 179 180 181



EURO-RIGGING

LIFTING AND TRANSPORT CONSULTANTS

98054 16/79

rev. 0

2000.05.30

serial numbers various

R-B International CH 135 HD, liftratings 360°, flyjib, 65° tower

This summary is extracted from the Euro-standard load charts 98054 16 rev. 0, cwt. 35.6 t

tower parts reeving min. jiboffset wind [m/s] radius/lb [m]	24.0 m						30.0 m						36.0 m						42.0 m											
	2	2	2	2	2	2	2	2	2	2	2	2	2	2	2	2	2	2	2	2	2	2	2	2	2	2	2	2	2	2
	10°	10°	10°	10°	10°	10°	10°	10°	10°	10°	10°	10°	10°	10°	10°	10°	10°	10°	10°	10°	10°	10°	10°	10°	10°	10°	10°	10°	10°	10°
14	14	14	14	14	14	11	14	14	14	14	14	11	14	14	14	14	14	11	14	14	14	14	14	11	14	14	14	14	14	11
12.0	18.0	24.0	30.0	36.0	42.0	20.2	12.0	18.0	24.0	30.0	36.0	42.0	12.0	18.0	24.0	30.0	36.0	42.0	12.0	18.0	24.0	30.0	36.0	42.0	12.0	18.0	24.0	30.0	36.0	42.0
20.0																														
18.0							17.1																							
24.0							15.3						14.7																	
26.0							14.4	14.3					13.3																	
28.0							13.1	13.0					12.1	11.8																
30.0								11.9	11.6				11.3	11.2																
32.0							11.0	10.7						10.8																
34.0							10.2	9.9	9.9					10.0	9.6															
36.0								9.2	9.2	8.9				9.2	8.9															
38.0							8.6	8.6	8.3					8.3	7.9															
40.0							8.0	8.0	7.7					7.7	7.4	7.4														
42.0								7.5	7.2					7.2	6.8	6.9														
44.0								7.0	6.8					7.0	6.7															
46.0								6.6	6.3					6.5	6.3															
48.0														6.1	5.9															
50.0														5.8	5.5															
52.0																														
54.0														5.2																
56.0														4.9																
58.0														4.6																
60.0																														
62.0																														
64.0																														
66.0																														
68.0																														
70.0																														
72.0																														
LLD-CODE JIB	182	183	184	185	186	187	188	189	190	191	192	193	194	195	196	197	198	199	200	201	202	203	204	205						



EURO-RIGGING

LIFTING AND TRANSPORT CONSULTANTS

98054 16/80

rev. 0

2000.05.30

serial number various

R-B International CH 135 HD, liftratings 360°, flyjib, 65° tower

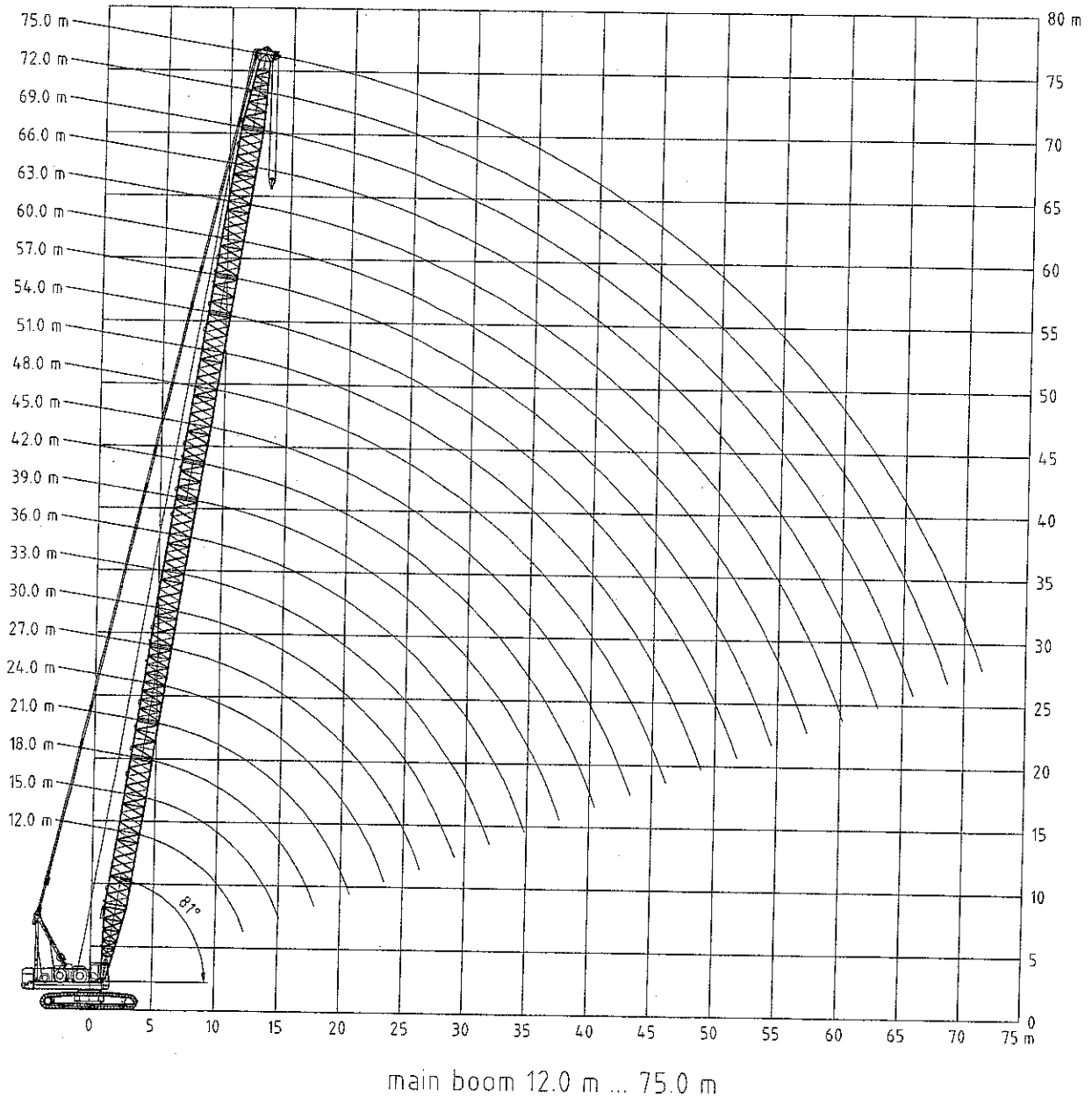
This summary is extracted from the Euro-standard load charts 98054 16 rev. 0, cwt. 35,6 t

tower parts reeving min. jiboffset wind [m/s] radius jib [m]	48.0 m						54.0 m						57.0 m					
	2	2	2	2	2	2	2	2	2	2	2	2	2	2	2	2	2	2
	10°	10°	10°	10°	10°	10°	10°	10°	10°	10°	10°	10°	10°	10°	10°	10°	10°	10°
14	14	14	14	14	14	11	11	11	11	11	11	11	11	11	11	11	11	
12.0	18.0	24.0	30.0	36.0	42.0	18.0	24.0	30.0	36.0	42.0	18.0	24.0	30.0	36.0	42.0			
30.0	30.0	30.0	30.0	30.0	30.0	30.0	30.0	30.0	30.0	30.0	30.0	30.0	30.0	30.0	30.0			
32.0	8.8	-	-	-	-	-	-	-	-	-	-	-	-	-	-	-	-	-
34.0	8.0	-	-	-	-	-	-	-	-	-	-	-	-	-	-	-	-	-
36.0	7.4	7.2	-	-	-	6.7	-	-	-	-	-	-	-	-	-	-	-	-
38.0	6.9	6.8	-	-	-	6.3	-	-	-	-	-	-	-	-	-	-	-	-
40.0	-	6.3	5.9	-	-	5.9	5.4	-	-	-	-	-	-	-	-	-	-	-
42.0	-	5.9	5.5	-	-	5.5	5.1	4.6	-	-	-	-	-	-	-	-	-	-
44.0	-	5.5	5.2	4.8	-	4.8	4.3	-	-	-	-	-	-	-	-	-	-	-
46.0	-	-	4.9	4.5	-	4.5	4.1	3.7	-	-	-	-	-	-	-	-	-	-
48.0	-	-	4.6	4.3	3.8	-	-	3.8	3.4	-	-	-	-	-	-	-	-	-
50.0	-	-	4.3	4.0	3.6	-	-	3.6	3.2	2.8	-	-	-	-	-	-	-	-
52.0	-	-	-	3.8	3.4	-	-	3.4	3.0	2.6	-	-	-	-	-	-	-	-
54.0	-	-	-	3.5	3.2	-	-	-	2.9	2.4	-	-	-	-	-	-	-	-
56.0	-	-	-	3.3	3.0	-	-	-	2.7	2.3	-	-	-	-	-	-	-	-
58.0	-	-	-	-	2.8	-	-	-	2.5	2.1	-	-	-	-	-	-	-	-
60.0	-	-	-	-	2.7	-	-	-	-	2.0	-	-	-	-	-	-	-	-
62.0	-	-	-	-	2.5	-	-	-	-	1.8	-	-	-	-	-	-	-	-
64.0	-	-	-	-	-	-	-	-	-	1.7	-	-	-	-	-	-	-	-
66.0	-	-	-	-	-	-	-	-	-	-	-	-	-	-	-	-	-	-
68.0	-	-	-	-	-	-	-	-	-	-	-	-	-	-	-	-	-	-
70.0	-	-	-	-	-	-	-	-	-	-	-	-	-	-	-	-	-	-
72.0	-	-	-	-	-	-	-	-	-	-	-	-	-	-	-	-	-	-
74.0	-	-	-	-	-	-	-	-	-	-	-	-	-	-	-	-	-	-
76.0	-	-	-	-	-	-	-	-	-	-	-	-	-	-	-	-	-	-
78.0	-	-	-	-	-	-	-	-	-	-	-	-	-	-	-	-	-	-
80.0	-	-	-	-	-	-	-	-	-	-	-	-	-	-	-	-	-	-
82.0	-	-	-	-	-	-	-	-	-	-	-	-	-	-	-	-	-	-

LD-CODE 206 207 208 209 210 211 212 213 214 215 216 217 218 219 220 221

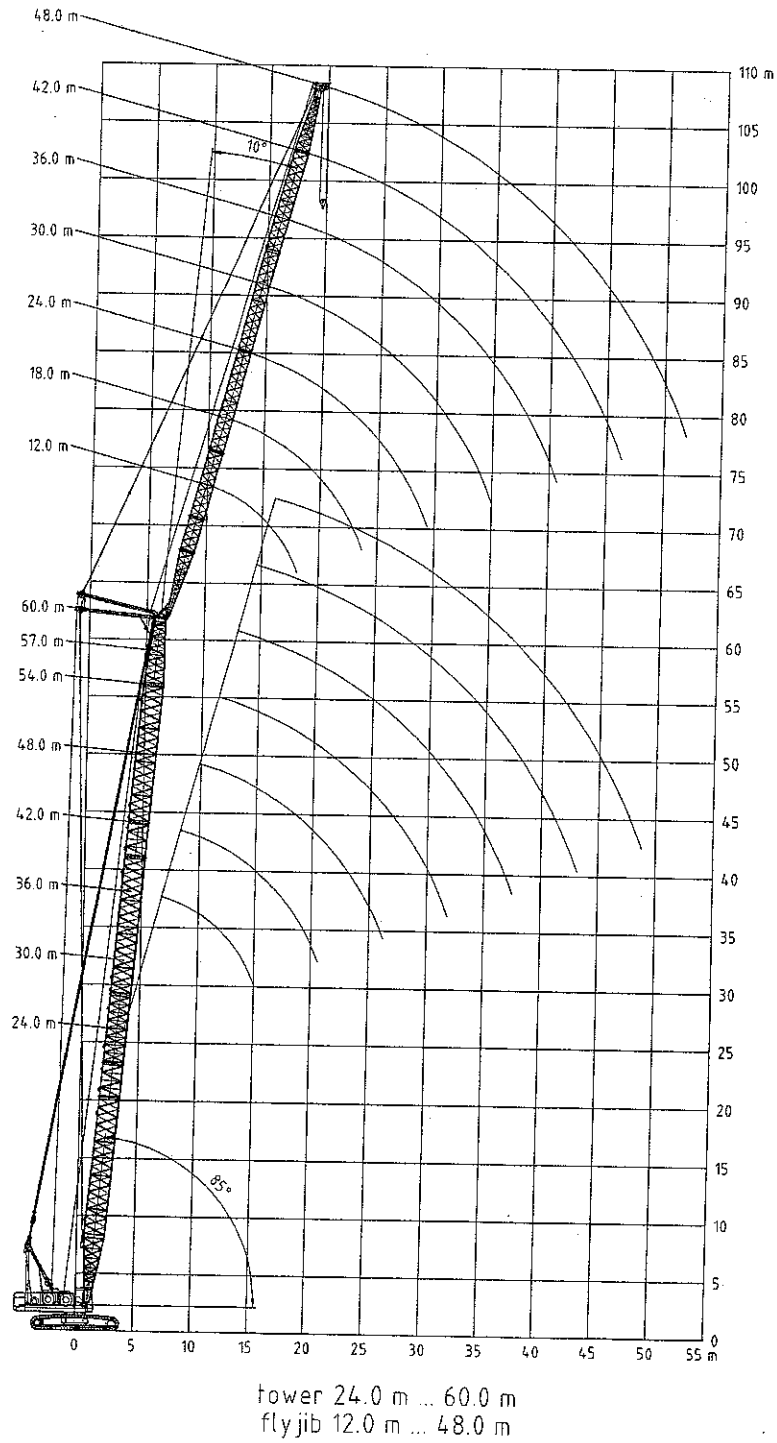


4.3 Reach main boom





4.4 Reach tower & jib





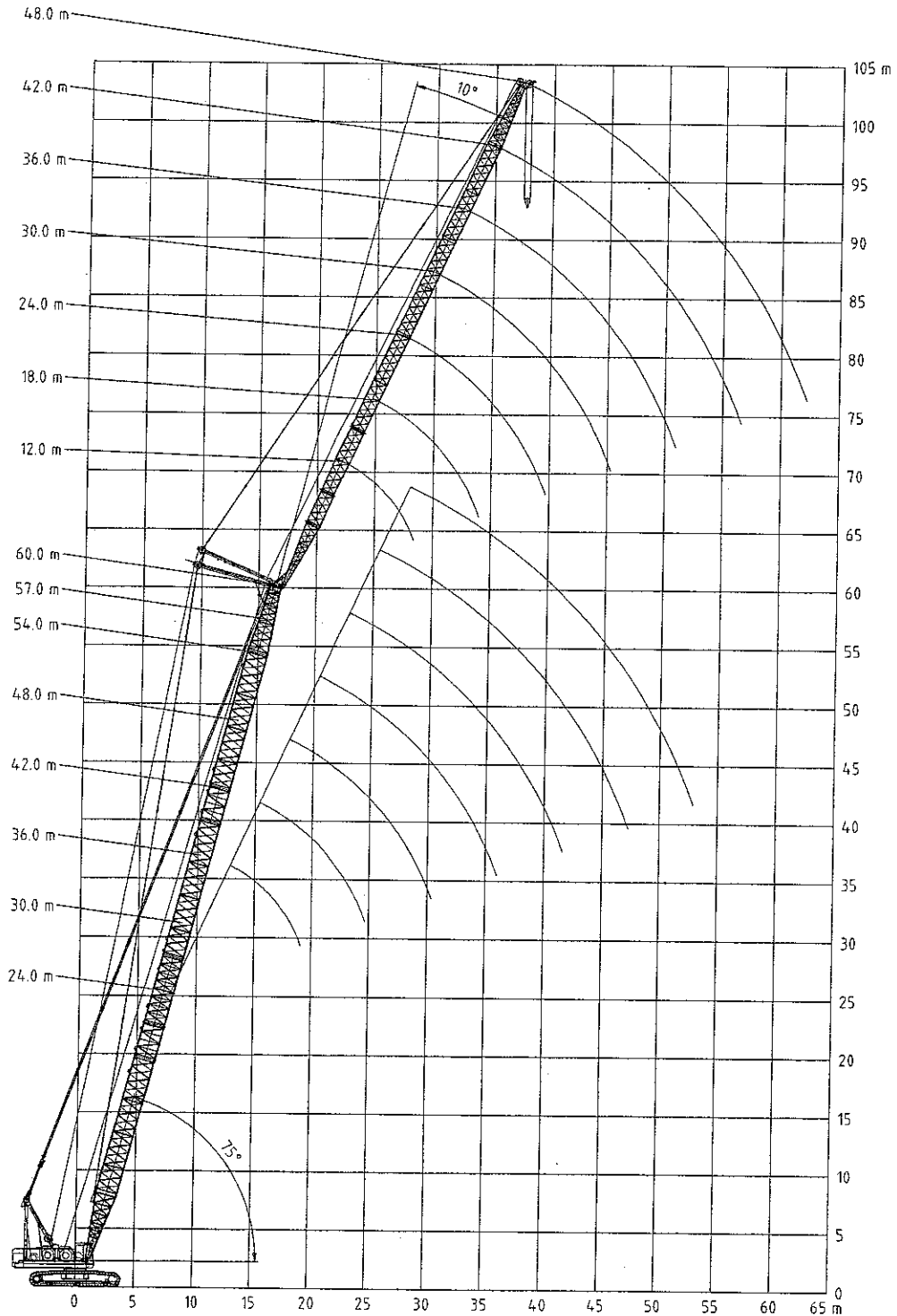
EURO-RIGGING

LIFTING AND TRANSPORT CONSULTANTS

98054 16/83

rev. 0

serial number various



tower 24.0 m ... 60.0 m
flyjib 12.0 m ... 48.0 m



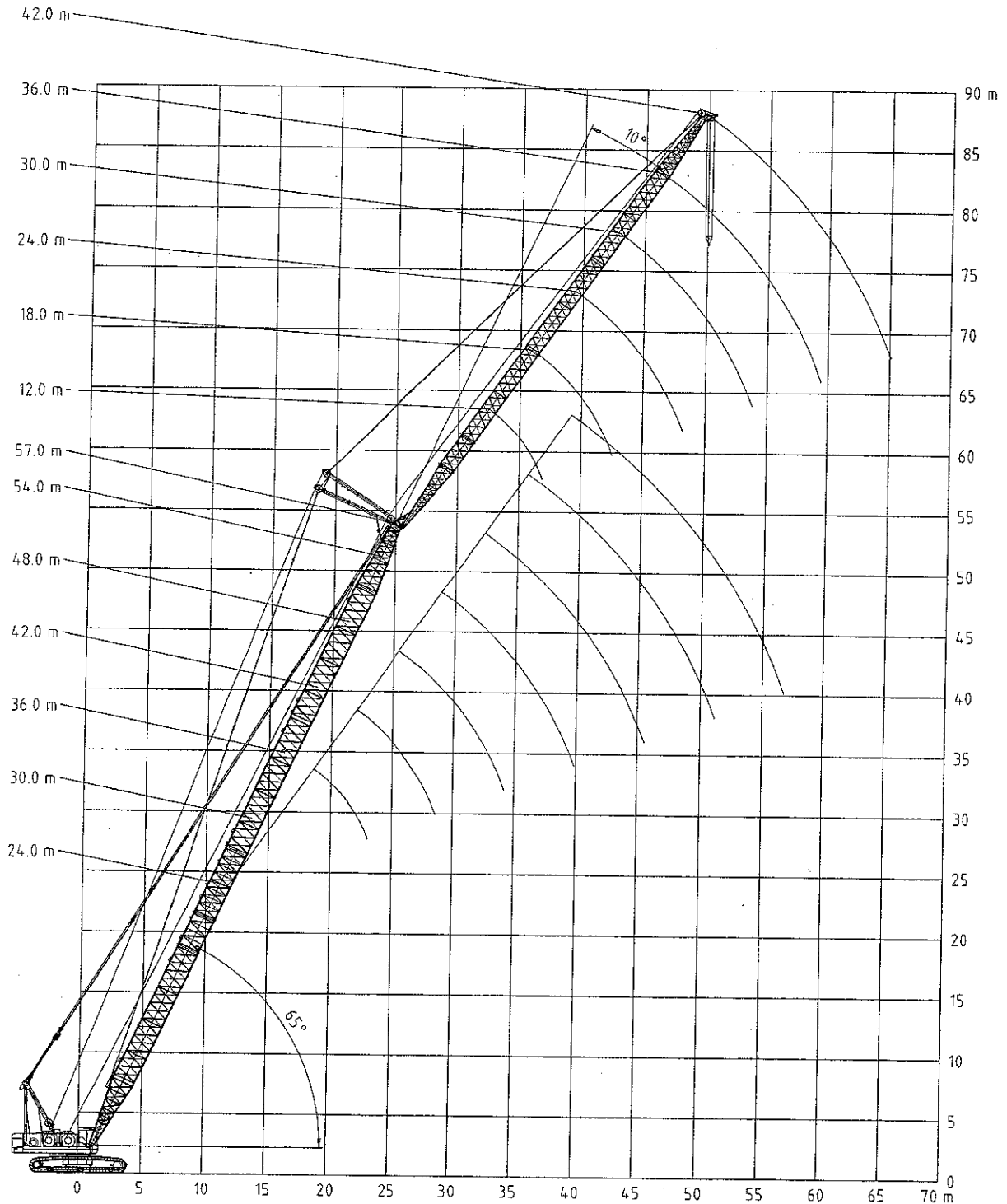
EURO-RIGGING

LIFTING AND TRANSPORT CONSULTANTS

98054-16/84

rev. 0

serial number: various



tower 24.0 m ... 57.0 m
flyjib 12.0 m ... 42.0 m



4.5 ALLOWABLE WINDSPEEDS

4.5.1 CH 135 HD MAIN BOOM

length boom m	working wind m/s	lower boom at m/s
12.0	14	20
15.0	14	20
18.0	14	20
21.0	14	20
24.0	14	20
27.0	14	20
30.0	14	20
33.0	14	20
36.0	14	20
39.0	14	20
42.0	14	20
45.0	14	20
48.0	14	20
51.0	14	20
54.0	14	20
57.0	14	20
60.0	14	20
63.0	14	20
66.0	11	17
69.0	11	17
72.0	11	17
75.0	11	17



ALLOWABLE WINDSPEEDS

4.5.2 CH 135 HD LUFFING FLY JIB

length tower m	length luffing jib m	working wind m/s	lower jib at m/s	lower tower at m/s	
24.0	12.0	14	17	20	
	18.0	14	17	20	
	24.0	14	17	20	
	30.0	14	17	20	
	36.0	14	17	20	
	42.0	11	14	17	
30.0	48.0	11	14	17	
	12.0	14	17	20	
	18.0	14	17	20	
	24.0	14	17	20	
	30.0	14	17	20	
	36.0	14	17	20	
36.0	42.0	11	14	17	
	48.0	11	14	17	
	12.0	14	17	20	
	18.0	14	17	20	
	24.0	14	17	20	
	30.0	14	17	20	
42.0	36.0	14	17	20	
	42.0	11	14	17	
	48.0	11	14	17	
	12.0	14	17	20	
	18.0	14	17	20	
	24.0	14	17	20	
	30.0	14	17	20	
	36.0	14	17	20	
	42.0	11	14	17	
	48.0	11	14	17	



ALLOWABLE WINDSPEEDS

CH 135 HD LUFFING FLY JIB

length tower m	length luffing jib m	working wind m/s	lower jib at m/s	lower tower at m/s
48.0	12.0	14	17	20
	18.0	14	17	20
	24.0	14	17	20
	30.0	11	14	17
	36.0	11	14	17
	42.0	11	14	17
	48.0	11	14	17
54.0	18.0	11	14	17
	24.0	11	14	17
	30.0	11	14	17
	36.0	11	14	17
	42.0	11	14	17
	48.0	11	14	17
	57.0	18.0	11	14
24.0		11	14	17
30.0		11	14	17
36.0		11	14	17
42.0		11	14	17
48.0		11	14	17
60.0		18.0	11	14
	24.0	11	14	17
	30.0	11	14	17
	36.0	11	14	17
	42.0	11	14	17
	48.0	11	14	17