



# VO-255/260-I

Insulated Articulated Overcenter Aerial Lift



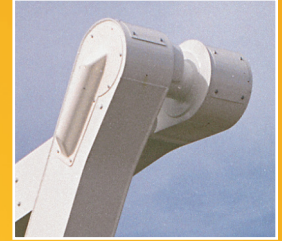
## DEMAND BETTER

214" Upper Boom Insulation Gap

24" Lower Boom Insulation Gap

Ground Access from Bucket

Positive Knuckle Linkage



Cylinder Rods Fully Retracted in Stowed Position



For more information about the VO-255/260-I or any of the other outstanding VERSALIFT machines, contact your authorized VERSALIFT Distributor or call 1.800.825.1085.



# V0-255/260-I

## Insulated Articulated Overcenter Aerial Lift

### GENERAL SPECIFICATIONS

(Based on 40 in (1.02 m) Frame Height)

	V0-255-I	V0-260-I
Horizontal Reach, Overcenter	46 ft. 2 in. (14.1 m)	50 ft. 8 in. (15.4 m)
Horizontal Reach, Non-Overcenter	41 ft. 11 in. (12.8 m)	46 ft. 5 in. (14.1 m)
Maximum Platform Capacity	400 lbs. (181 kg)	350 lbs. (159 kg)
Lower Boom Lift Eye Capacity	1,500 lbs. (680 kg)	1,500 lbs. (680 kg)

### WITH STANDARD REVERSE MOUNT PEDESTAL

Height to Bottom of Platform	55 ft. 4 in. (16.9 m)	59 ft. 10 in. (18.2 m)
Working Height	60 ft. 4 in. (18.4 m)	64 ft. 10 in. (19.8 m)
Stowed Travel Height	11 ft. 9 in. (3.58 m)	11 ft. 9 in. (3.58 m)
Weight of Lift with Outriggers	5,860 lbs. (2660 kg)	5,970 lbs. (2707 kg)

### HYDRAULIC SYSTEM

Operating Pressure	2900 PSI (205 kg/cm <sup>2</sup> )	2900 PSI (205 kg/cm <sup>2</sup> )
Flow Rate	7 GPM (26 lpm)	7 GPM (26 lpm)
Filtration	10 Micron Return	10 Micron Return
System Type	Open Center	Open Center
Power Source	PTO Pump	PTO Pump

### BOOM ACTION

Upper-Boom Articulation	270° relative to lower boom	245° relative to lower boom
Lower-Boom Articulation	125° from horizontal to 35° past vertical	125° from horizontal to 35° past vertical
Rotation	360° Continuous	360° Continuous

### INSULATION GAPS

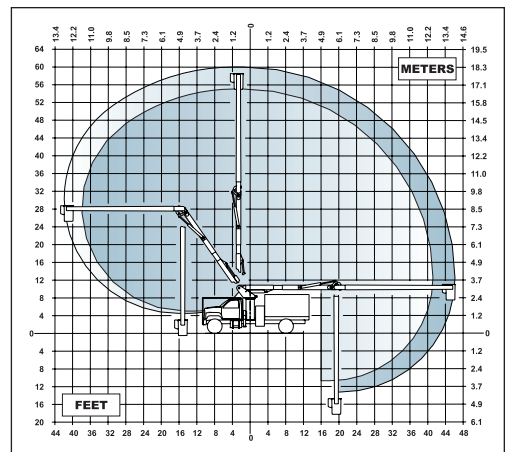
Upper Boom	214 in. (5.44 m)	214 in. (5.44 m)
Lower Boom	24 in. (0.61 m)	24 in. (0.61 m)

#### NOTE:

- Specifications may vary without prior notification.
- Required GVWR can vary significantly with chassis, lift mounting location, service body, accessories, and desired payload.

### OPTIONS

- Tilt Platform
- Platform Size Variations
- Capacity Variations
- Lifting Eye Attachment
- Two-Speed Throttle Control



  
**TIME**  
 MANUFACTURING COMPANY  
 P.O. Box 20368  
 Waco, TX 76702-0368  
 254.399.2100  
 Fax: 254.399.2651  
 1.800.825.1085  
 www.timemfg.com