

# Valla 50 D



## Self Diesel operated Mobile Crane Max. Capacity **Lbs. 11,000**



Valla	
OUTREACH (Ft)	CAPACITY (Lbs.)
6	4,600
9	3,800
15	2,000



### TECHNICAL DATA

**CRANE FRAME:** five-wheelers frame fabricated from preformed and welded steel plate with built-in counterweight.

**TRACTION:** 3 cylinders, water cooled diesel engine Kubota D1105T – 23,5 kW.

**TRANSMISSION:** automatic (hydrostatic) – max. speed 8 k/h with final reduction gear in oil bath.

**BRAKES:** hydaraulically controlled foot operating brake. Lever mechanically controlled parking brake.

**STEERING:** power steering with hydraulic motor and gear 180° . Safety valves and filter.

**WHEELS:** nr. 1 rear pneumatic 250/60 R12 nr. 4 front superelastic 16 x 7 R8.

**BOOM:** boom fabricated from preformed and welded quality steel plate. Nr.4 telescoping sections: 1 fixed; 2 hydraulically telescoping and 1 manually telescoping. Fitted with nylon wear pads adjustable wear pads on the sides.

**HYDRAULIC SYSTEM:** in own enclosed circuit powered by a gear pump throughtwo control valves, lever operated, 1 for boom raise an lower, 1 for boom extension and retraction. Fitted with safety valves and filters. Maximum hydraulic pressure 210 Bar.

**LMI:** electronic Load Moment Indicator. Display showing lifted load, max allowed load, tilting percentage, operating radius, angle, telescope and light indicators on the operative mode.

**TOTAL WEIGHT:** approx. Lbs. 12,000      **MAX. CAPACITY:** Lbs. 11,000

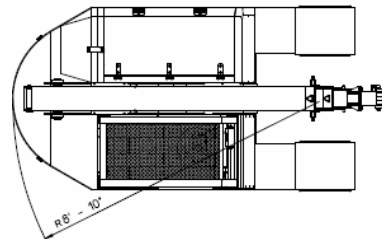
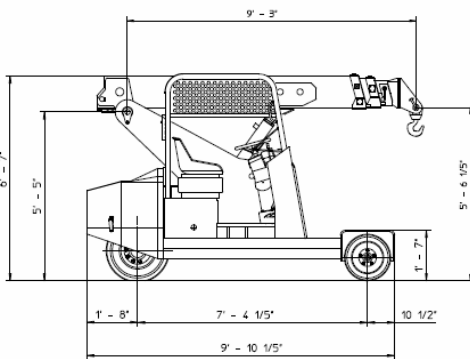
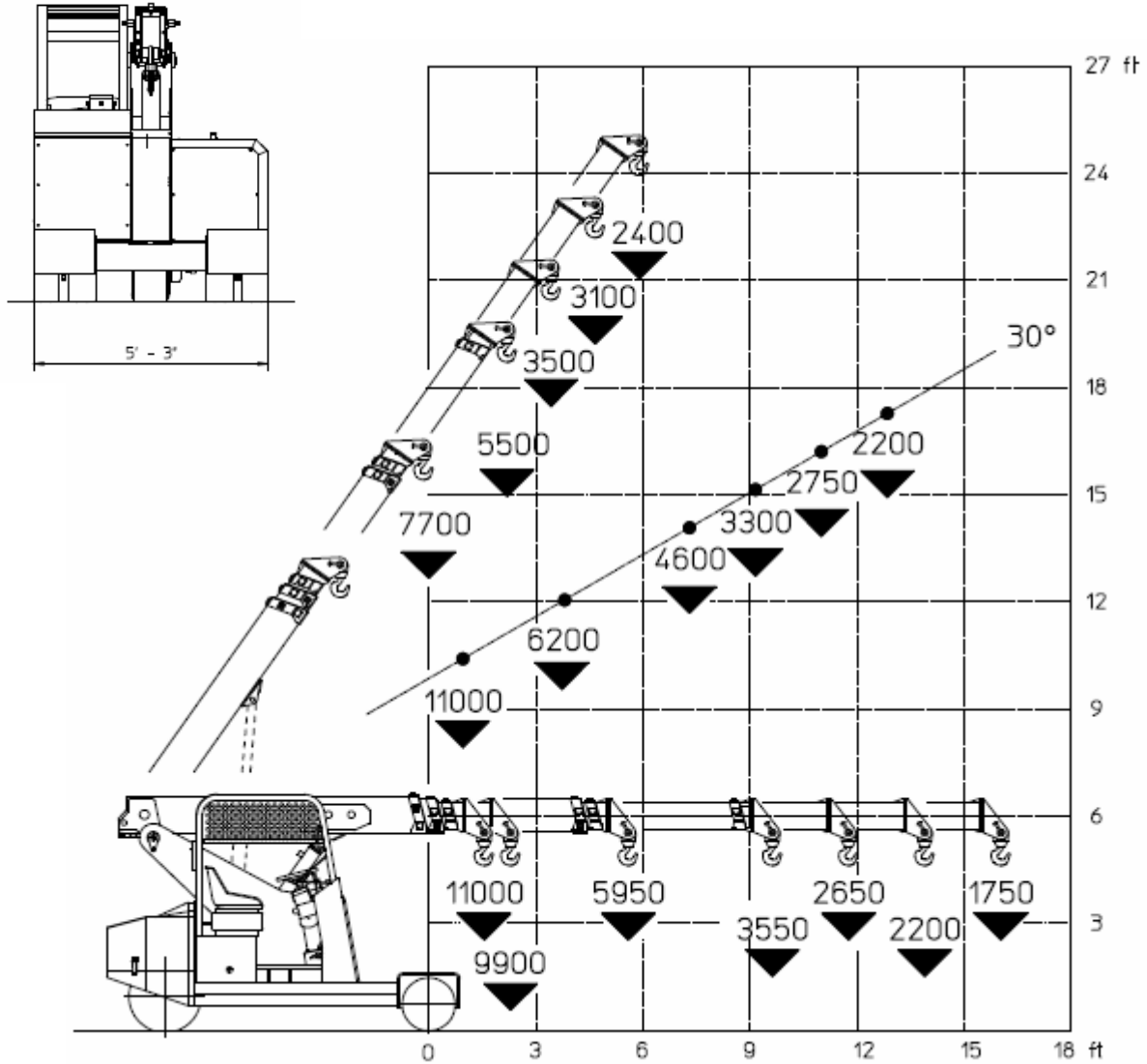
**Options on request:** hydraulic winch; chain hoists; carry-deck; manual and hydraulic jibs; cable remote control; radio remote control; fully hydraulic boom; man bucket and relevant certification as aerial platform; full set of road lights, non marking tires.

Data subject to be changed without any previous notice. Pictures may differ form technical description.

# Valla 50 D



VALLA mobile crane mod. 50D complies with the following standards:  
 -2006/42/CE  
 -UNIEN13000  
 -I.S.P.E.S.L.



Lbs./ft



Valla a division of CVS Ferrari Srl  
 Via Piacenza, 45 - 29010 Calendasco (Piacenza) - ITALIA  
 Tel. +39 0523 762025 / 752004 - Fax +39 0523 760531  
 e-mail: info@valla.com - www.valla.com

Data subject to be changed without any previous notice. Pictures may differ from technical description.