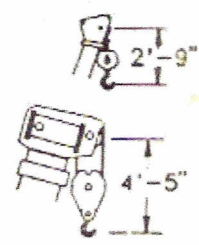
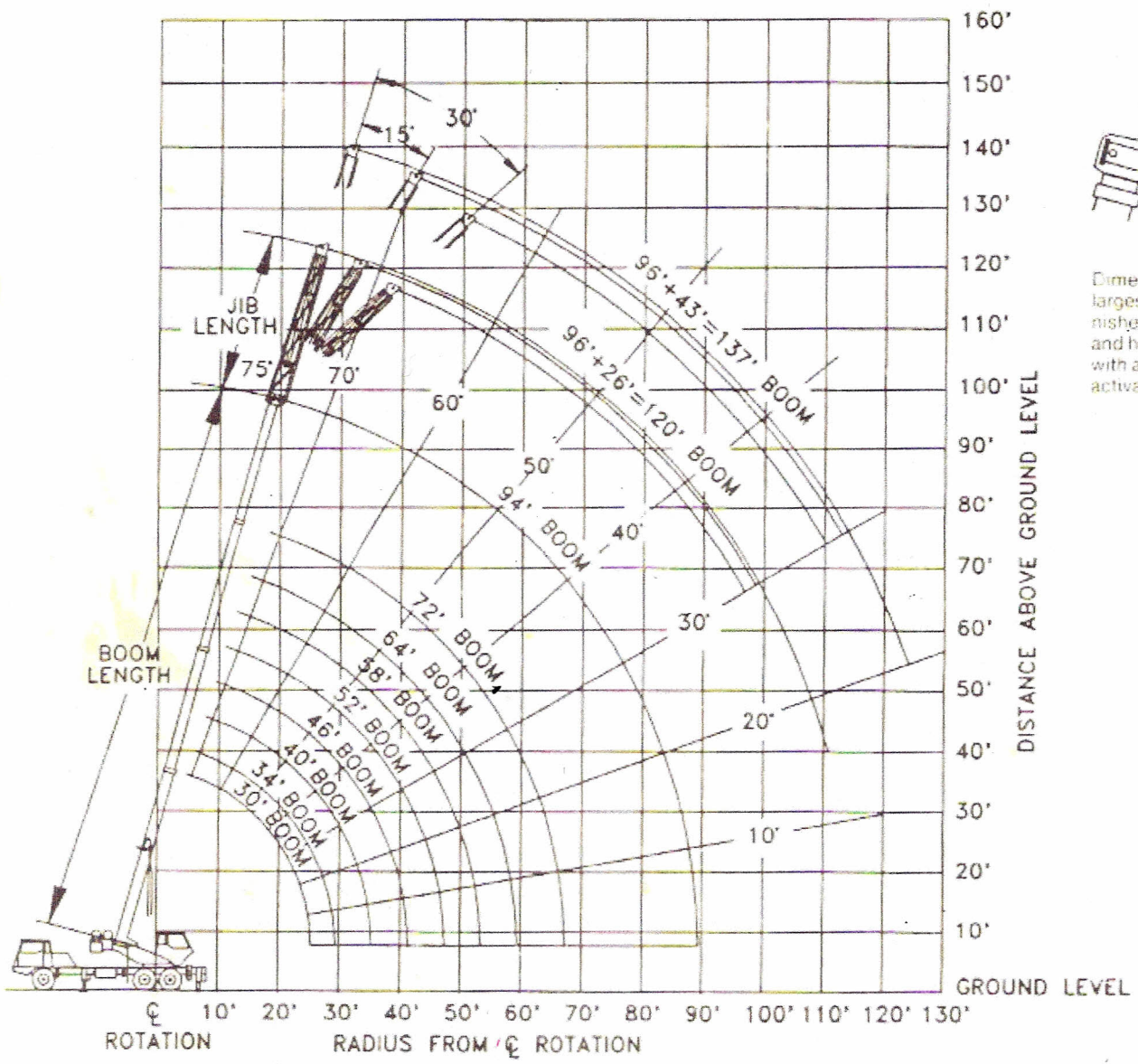
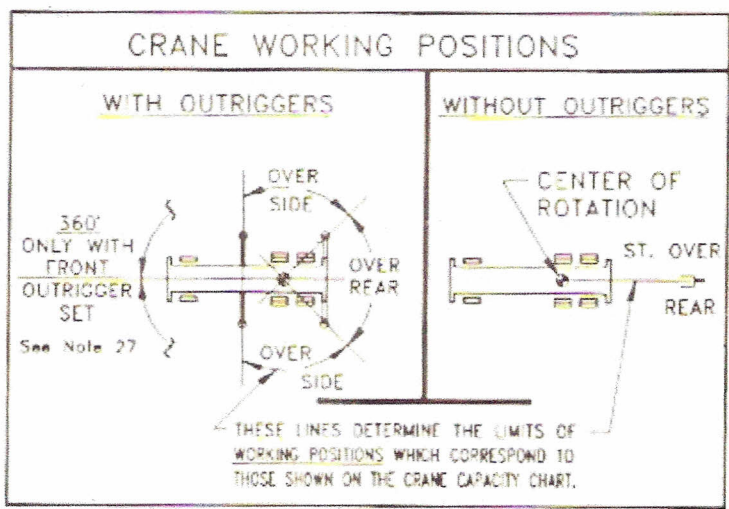


Range Diagram (30'-94' boom)

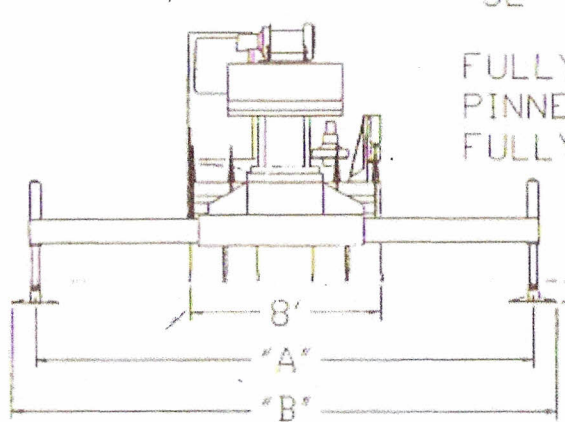
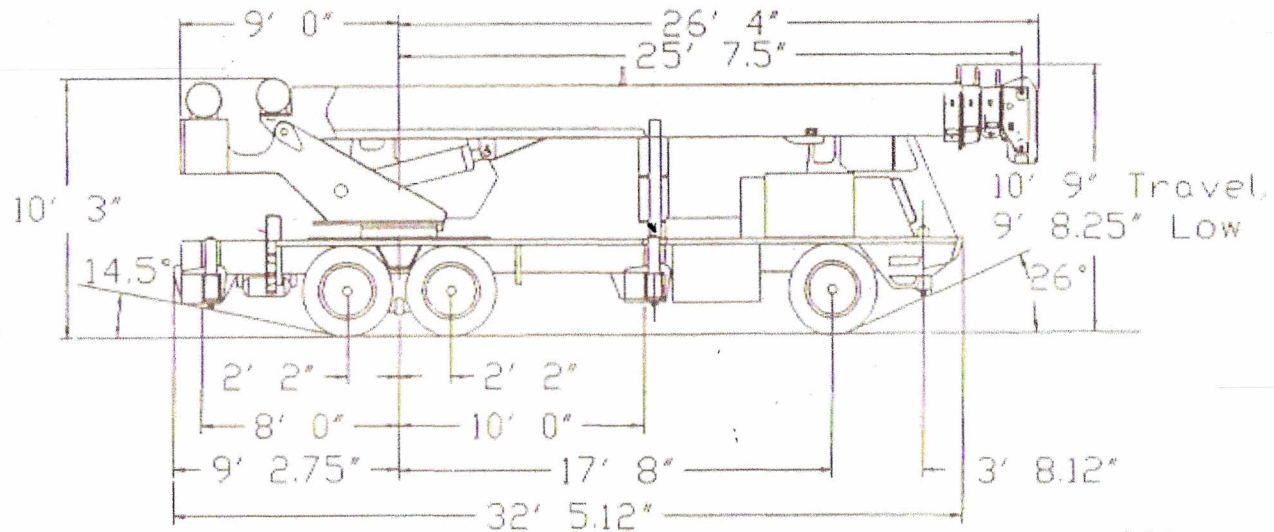


Dimensions are for largest Lorain furnished hook block and hook and ball with anti-two-block activated



WEIGHT - 54,000 lbs.
 CLR PAOS - 254 in.² /ea.

BASIC DIMENSIONS



	<u>"A"</u>	<u>"B"</u>
FULLY EXTENDED OUTRIGGERS	18'-0"	20'-0"
PINNED OUTRIGGERS		
FULLY RETRACTED OUTRIGGERS	7'-4.5"	9'-4.5"

Capacity Charts — Pounds (30'-94' boom)

MODEL MCH 230D

COUNTERWEIGHT
UPPER STRUCTURE
W/O AUX. WINCH 2500 lb.
W/O AUX. WINCH 3600 lb.
BOOM LENGTH 30-94 ft

OUTRIGGER SPREAD 18 ft
STABILITY PCT.
ON OUTRIGGERS 85%
ON TIRES 75%
PCSA CLASS 10-66

IMPORTANT: This specification sheet is not to be used as load rating chart in the machine as data may be subject to change.

ON OUTRIGGERS

R A D I U S	BOOM LENGTH 30'		BOOM LENGTH 34'		BOOM LENGTH 40'		BOOM LENGTH 46'		BOOM LENGTH 52'		BOOM LENGTH 58'		BOOM LENGTH 64'		BOOM LENGTH 72'		BOOM LENGTH 94'(1)		R A D I U S
	REAR	SIDE	REAR	SIDE	REAR	SIDE	REAR	SIDE	REAR	SIDE	REAR	SIDE	REAR	SIDE	REAR	SIDE	REAR	SIDE	
10	55	46,100	46,000	58	46,000	46,000	72	46,000	46,000	7	44,500	44,500							10
12	61	44,800	44,800	65	43,500	43,500	69	41,400	41,400	7	39,900	39,900	75	58,800	58,800				12
15	54	35,100	35,100	55	35,200	35,200	64	35,400	35,400	68	34,600	34,600	71	33,400	33,400	73	32,500	32,500	15
20	40	24,600	24,600	47	24,800	24,800	56	25,000	25,000	67	25,100	25,100	65	25,200	25,200	68	25,500	25,500	20
25	18	18,200	17,500	33	18,500	17,300	46	18,700	17,700	53	18,800	17,900	59	18,900	18,100	63	19,000	18,100	25
30							34	14,500	12,000	45	14,600	12,300	52	14,700	12,500	57	14,800	12,500	30
35							11	11,500	8,500	34	11,600	8,900	45	11,700	9,000	51	11,800	9,100	35
40							18	9,300	6,400	35	9,400	6,600	44	9,500	6,700	50	9,600	6,800	40
45										22	7,500	4,800	35	7,700	5,000	43	7,800	5,100	45
50													27	6,300	3,600	36	6,400	3,800	50
55																25	5,200	2,800	55
60																21	4,300	2,100	60
65																21	3,500	1,400	65
70																			70
75																			75
80																			80
85																			85

(1) FOR BOOM LENGTHS LESS THAN MAXIMUM WITH THE PULLOUT 4TH SECTION EXTENDED, THE RATED LOADS ARE DETERMINED BY BOOM ANGLE ONLY IN THE 94 FT. BOOM LENGTH COLUMN. FOR BOOM ANGLES NOT SHOWN, USE THE CAPACITY OF THE NEXT LOWER BOOM ANGLE.

ON TIRES STRAIGHT OVER REAR ONLY

R A D I U S	PICK & CARRY	R A D I U S
10	11,000	10
12	9,200	12
15	6,900	15
20	4,000	20
25	2,700	25
30	1,000	30

SIDE STOW JIB ON OUTRIGGERS

R A D I U S	26' OFFSET JIB												43' OFFSET JIB												R A D I U S
	0' OFFSET		15' OFFSET		30' OFFSET		45' OFFSET		0' OFFSET		15' OFFSET		30' OFFSET		45' OFFSET										
	PULLOUT 4TH SECTION RET.	PULLOUT 4TH SECTION EXT.	PULLOUT 4TH SECTION RET.	PULLOUT 4TH SECTION EXT.	PULLOUT 4TH SECTION RET.	PULLOUT 4TH SECTION EXT.	PULLOUT 4TH SECTION RET.	PULLOUT 4TH SECTION EXT.	PULLOUT 4TH SECTION RET.	PULLOUT 4TH SECTION EXT.	PULLOUT 4TH SECTION RET.	PULLOUT 4TH SECTION EXT.	PULLOUT 4TH SECTION RET.	PULLOUT 4TH SECTION EXT.	PULLOUT 4TH SECTION RET.	PULLOUT 4TH SECTION EXT.									
25	29.0	12,500	32.5	7,000	35.0	7,300	37.5	4,700	35.0	5,100	41.0	3,300	37.5	5,000	38.5	4,000	38.5	3,200	47.5	3,100	48.0	2,600	50.0	2,400	75
20	28.0	11,500	34.5	6,800	33.0	6,900	41.5	4,000	38.0	4,300	45.0	3,200	37.0	4,500	43.5	3,800	43.5	3,100	52.0	3,000	50.5	2,500	58.5	2,300	70
15	33.0	10,200	43.0	6,300	38.0	6,400	47.5	3,800	47.0	4,000	51.5	3,000	46.5	4,100	50.5	3,200	49.0	3,000	59.0	2,800	55.5	2,400	65.5	2,200	65
10	37.5	9,000	48.5	5,800	42.5	5,900	53.0	3,700	47.0	4,000	57.0	2,900	46.0	4,200	57.5	3,600	54.5	3,800	65.5	3,200	61.5	2,700	71.5	2,100	60
7.5	41.0	7,400	54.0	5,200	47.0	5,400	58.0	3,000	51.0	4,400	62.5	2,700	50.5	4,600	64.0	4,400	59.5	3,700	71.5	3,600	68.0	2,500	77.0	2,000	55
5	46.0	6,100	60.0	3,900	51.5	5,100	64.0	3,100	55.5	4,700	67.5	2,600	54.0	5,200	70.0	3,200	65.0	3,600	77.5	3,500	74.0	2,300	81.0	2,000	50
2.5	58	4,950	68.0	3,100	58.0	4,500	69.0	2,800	59.0	4,900	72.0	2,600	61.0	5,000	74.0	3,600	69.5	4,000	80.0	4,000	76.5	2,100	84.0	1,900	45
1.5	64	3,900	76.0	2,400	66.0	3,500	73.0	2,100	63.0	3,700	76.0	2,000	68.0	3,800	82.0	3,000	75.5	3,400	88.0	3,800	85.0	1,800	90.0	1,700	40
1	70	3,000	84.0	1,800	74.0	2,700	81.0	1,600	69.0	2,900	83.5	1,600	73.0	3,000	86.0	2,400	83.5	2,800	93.0	2,800	90.0	1,600	96.0	1,500	35
0.75	77.0	2,300	92.0	1,200	82.0	2,200	87.0	1,100	77.0	2,100	89.0	1,000	81.0	1,900	95.5	1,800	85.0	2,000	99.0	1,800	96.5	1,600	100.0	1,100	30
0.5	84	1,700	100.0	900	90.0	1,700	95.0	800	80.0	1,600	97.0	800	84.0	1,500	100.0	1,400	88.0	1,500	104.0	1,500	100.0	1,300	106.0	1,100	25
0.25	91	1,000	108.0	600	98.0	1,000	103.0	500	88.0	1,200	105.0	500	90.0	1,100	110.0	1,000	92.0	1,100	114.0	1,000	100.0	900	116.0	800	20

RECOMMENDED TIRE PRESSURE (PSI)

TIRE SIZE	9.00X20, 10PR	10.00X20, 12PR
LIFT ON TIRES	90	95
LOADING	70	75

Notes for Jib Capacities:

- F. For all boom lengths less than the maximum with a jib erected, the rated loads are determined by boom angle only in the appropriate column.
- G. For boom angles not shown, use the capacity of the next lower boom angle.
- H. Listed radii are for fully extended main boom only.

MAXIMUM PERMISSIBLE HOIST LINE LOAD

LINE PARTS	1	2	3	4	5	6	7	8
MAX. LOAD	7,600	15,200	22,800	30,400	38,000	45,600	53,200	60,800
BOOM HEAD	2	2-0	2-3	1-2-0	1-2-3	1-2-3-0	1-2-3-4	---
HOOK BLOCK	0	2	2-0	1-2	1-2-0	1-2-3	1-2-3-0	---

WIRE ROPE: 6 X 19 OR 6 X 37 CLASS 26,500 LBS. MINIMUM BREAKING STRENGTH.
1/2" DIAMETER, K1 P.S., L.W.R.C., PREFORMED.
9/16" DIAMETER, U.P.S., L.W.R.C., PREFORMED.
5/8" DIAMETER, P.S., L.W.R.C., PREFORMED.

Notes for On Tire Capacities:

- A. For Pick and Carry operation, boom must be centered over the rear of the crane with swing brake locked or with mechanical swing lock engaged, if crane is so equipped. Use minimum boom point height and keep load close to ground surface.
- B. The load should be restrained from swinging. No On Tires Operation With Jib Erected.
- C. Without outriggers, never maneuver the boom beyond listed load radii for applicable tires used to ensure stability.
- D. Creep speed is crane movement of less than 200 ft. (61 m) in a 30 minute period and not exceeding 1.0 mph (1.6 km/h).
- E. Refer to General Notes for additional information.

REDUCTION IN MAIN BOOM CAPACITY

ALL JIBS IN STOWED POSITION	0 Lbs.
26'-43' OFFSET JIB STINGER RETRACTED	2,540 Lbs.
26'-43' OFFSET JIB STINGER EXTENDED	2,990 Lbs.
HOOK BLOCK WEIGHTS	
HOOK & BALL	121 Lbs.
HOOK BLOCK (2 SHEAVE)	330 Lbs.
HOOK BLOCK (3 SHEAVE)	360 Lbs.
HOOK BLOCK (4 SHEAVE)	427 Lbs.