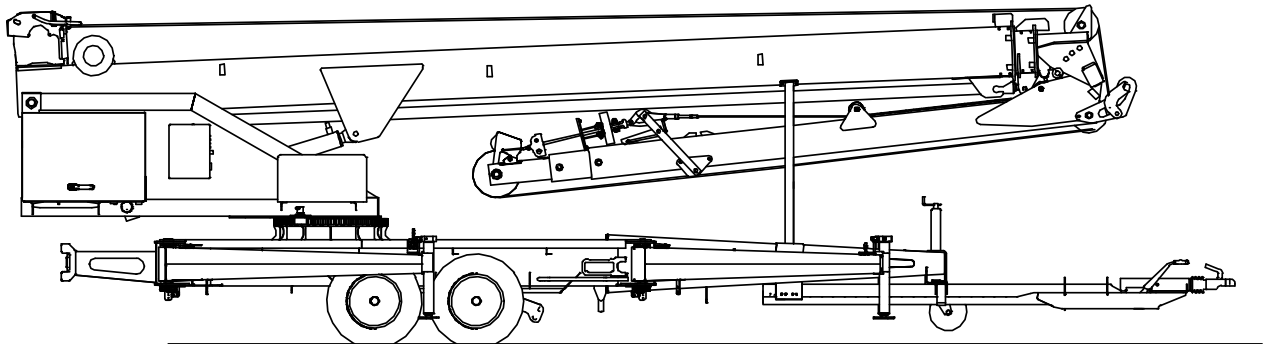


Böcker Aluminium-Trailer Crane – AHK 27/1200

As at 07/2010



Description		Data
Total length		approx. 9,00 m
Total width		approx. 2,20 m
Total height		approx. 2,60 m
Gross vehicle weight		3.500 kg
Max. erection angle telescope arm		85°
Jib length extended		7,00 m
Jib length retracted		4,30 m
Jib lockable at		165° / 150° / 135°
Max. extension length		27,00 m
Max. hook speed		40 m/min
Support area double-sided		LxW 5,40 x 5,40 m
Support area one-sided		LxW 7,30 x 3,75 m
Swivelling range		± 310°
Drive unit		Honda 24 hp petrol engine
Hydraulic unit		With constant displacement pump
Max. operation width	at 100 kg	24,30 m
	at 250 kg	18,60 m
	at 300 kg	17,00 m
	at 400 kg	13,00 m
	at 600 kg	10,40 m
	at 800 kg	7,60 m
	at 1000 kg	5,30 m
	at 1200 kg	3,50 m

All rights reserved for changes in dimensions and construction!

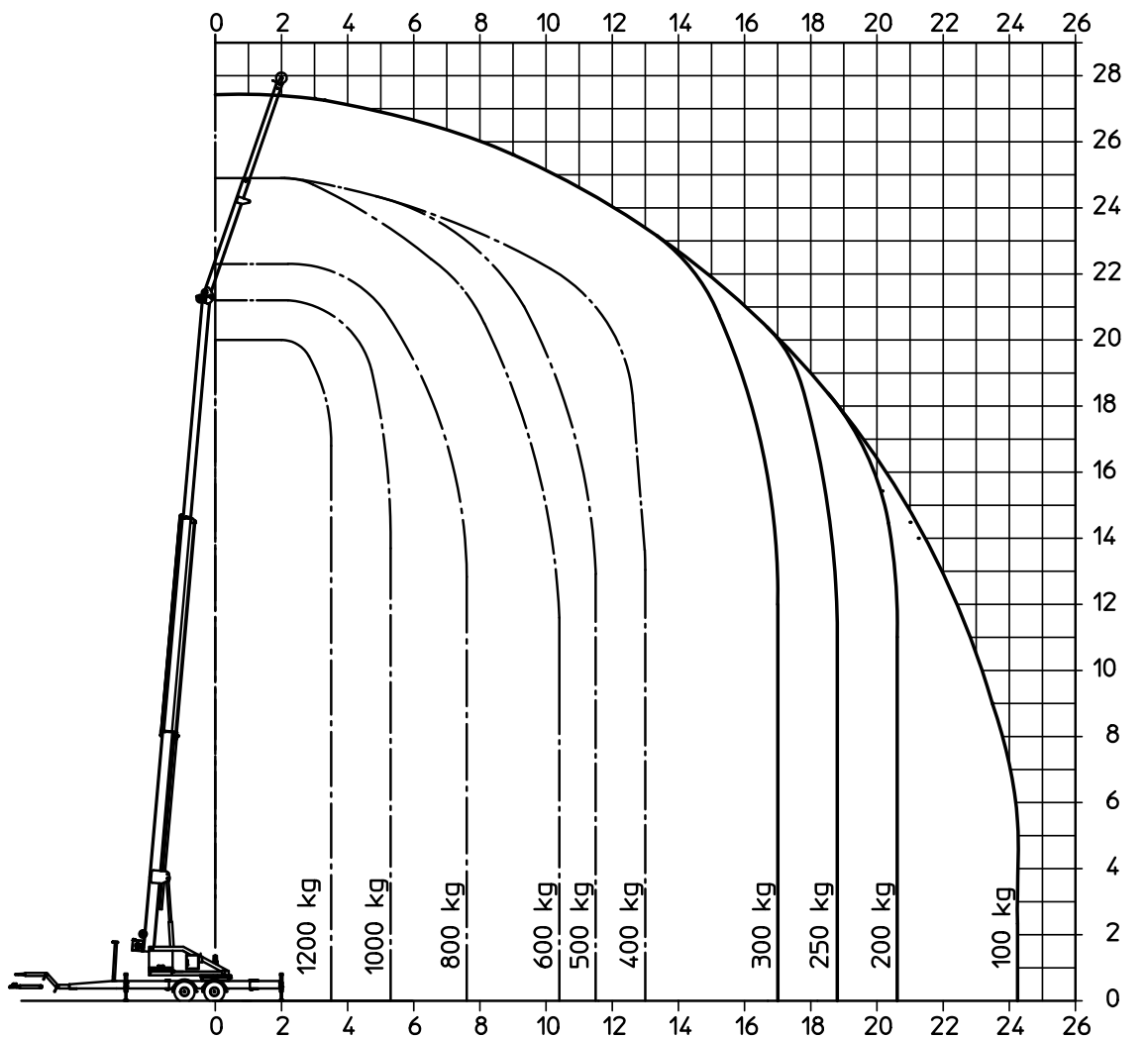
Böcker Aluminium-Trailer Crane – AHK 27/1200

106029

AHK 27/1200

Stand 6.08

Arbeitsdiagramm Kran / Werkdiagram kraan /
Diagramme de travail grue / Operation diagram crane



— Ausleger ausgezogen / Hijsarm uitgetrokken / Tubes de la flèche sortis / Boom extended
 - - - Ausleger eingeschoben / Hijsarm ingeschoven / Tubes de la flèche rentres / Boom retracted

Maße in Meter [m]. Maß- und Konstruktionsänderungen vorbehalten
 Afmetingen in metres [m]. Wijzigingen van de afmetingen en constructiewijzigingen voorbehouden.
 Mesures en mètre [m]. Indications et des constructions sous réserve.
 Dimensions in metre [m]. Böcker reserves the rights for alterations to dimensions and constructions.

All rights reserved for changes in dimensions and construction!