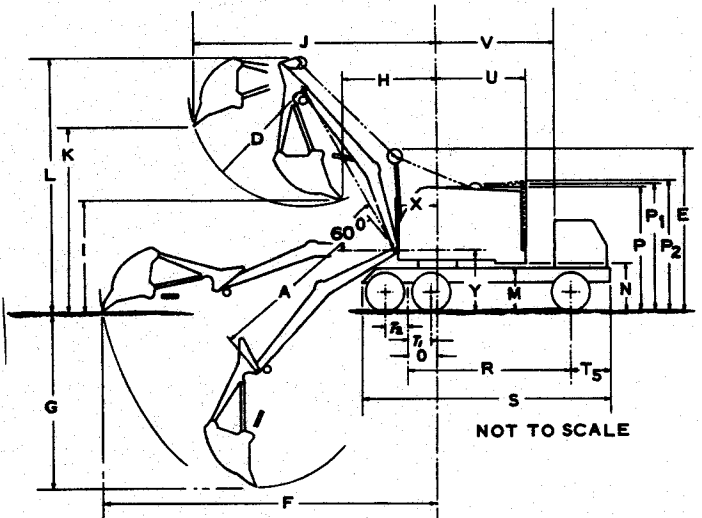
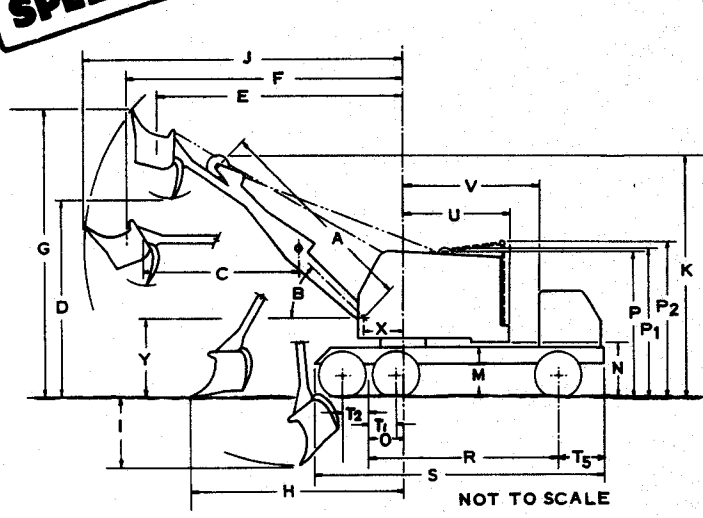


**LINK-BELT
SPEEDER**

HC-58B ⁵/₈ Cubic Yard Shovel and Hoe



SHOVEL WORKING RANGES						
Dipper capacity, cubic yards (struck measure)	----- ⁵ / ₈					
A—Boom length, center to center of pins	----- 16' 0"					
Effective boom length (center of boom foot pin to cable pitch line of peak sheave)	----- 16' 9"					
C—Dipper stick length, effective	----- 12' 3"					
Dipper stick length over-all	----- 13' 0"					
X—Radius of boom hinge pin	----- 3' 1"					
Y—Height of boom hinge pin	----- 6' 1"					
BOOM ANGLE	B	60°	55°	50°	45°	40°
Maximum dumping height	D	18' 11"	17' 11"	16' 9"	15' 8"	14' 4"
Dumping radius maximum height	E	15' 10"	17' 2"	18' 4"	19' 4"	20' 4"
Maximum dumping radius	F	19' 9"	20' 4"	20' 10"	21' 3"	21' 9"
Maximum cutting height	G	25' 9"	24' 7"	23' 5"	22' 1"	20' 7"
Maximum clean-up radius	H	14' 3"	14' 7"	14' 11"	15' 2"	15' 4"
Maximum digging depth	I	3' 11"	4' 3"	4' 8"	5' 2"	5' 6"
Maximum cutting radius	J	22' 7"	23' 1"	23' 7"	24' 1"	24' 6"
Boom clearance height	K	20' 9"	20' 0"	19' 3"	18' 3"	17' 3"

GENERAL DIMENSIONS COMMON TO BOTH SHOVEL AND HOE		
Over-all height top of ring gear plate	M	3' 9"
Ground clearance under counterweight "A"	N	4' 2"
Centerline rotation to rear axle bogie	O	2' 6"
Over-all cab height	P	11' 3"
Over-all height low gantry	P1	11' 6"
Over-all height retractable gantry lowered [ⓐ]	P2	12' 0"
Wheel base	R	14' 7"
Over-all length rear outrigger removed	S	20' 11"
Center rear axle to pivot of bogie	T1	2' 0"
Center rear axle to pivot of bogie	T2	2' 0"
Center front axle to front bumper	T5	3' 4"
Tailswing of counterweight "A"	U	8' 3"
Centerline rotation to back of truck cab	V	9' 5"

[ⓐ] With boom suspension slack. When boom is supported by the mast, over-all height of the mast bail is 12' 2".



These specifications comply with the recommended Commercial Standard CS90-58, developed under the National Bureau of Standards and issued by the United States Department of Commerce.

HOE WORKING RANGES		
Bucket capacity, cubic yards	----- ⁵ / ₈	
Bucket cutting width	----- 32 1/2"	
Boom length	A	16' 6"
Average sweep radius	D	9' 10"
Height of hoe mast	E	14' 8"
Maximum digging radius	F	29' 4"
Maximum digging depth [ⓐ]	G	16' 1"
Radius beginning of dump	H	8' 8"
Ground clearance beginning of dump	I	10' 4"
Clearance radius end of dump	J	21' 2"
Ground clearance end of dump	K	16' 7"
Over-all height end of dump	L	21' 7"
Radius of boom hinge pin	X	3' 7"
Height of boom hinge pin	Y	5' 5"

[ⓐ] Dimension "G" shows maximum digging depth with 45° boom. The maximum "effective" digging depth will vary with the type of soil and excavation.

HOE LIFTING CAPACITIES	
These are maximum lifting capacities for hoe when used for laying pipe. Two part hoist line used.	
BOOM RADIUS [ⓐ]	LIFTING CAPACITIES
12'	9,300 lbs.
15'	7,600 lbs.
20'	4,700 lbs.

[ⓐ] Radius is measured from machine centerline of rotation to centerline of boom peak shaft. Capacities are based upon the arm being in a vertical position.

BRIEF SPECIFICATIONS		
SHOVEL		
Approximate working weight with low gantry, counterweight "A"	----- 42,100 lbs.	
Crowd speed	----- 101 f.p.m.	
Retract speed	----- 146 f.p.m.	
Swing speed	----- 4.9 r.p.m.	
Lagging	Line Pull	Line Speed
9" hoist (rear)	----- 12,000 lbs.	----- @ 134 f.p.m.
HOE		
Approximate working weight with low gantry, counterweight "A"	----- 42,150 lbs.	
Swing speed	----- 4.9 r.p.m.	
Lagging	Line Pull	Line Speed
10" inhaul (front)	----- 11,300 lbs.	----- @ 150 f.p.m.
11" hoist (rear)	----- 9,950 lbs.	----- @ 162 f.p.m.

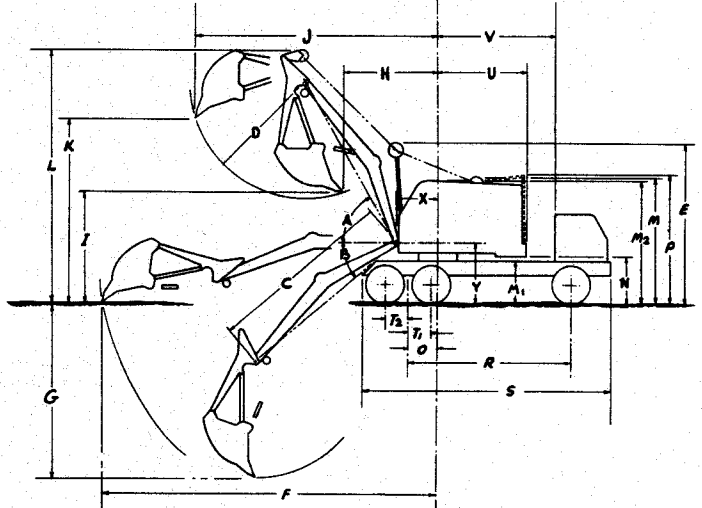
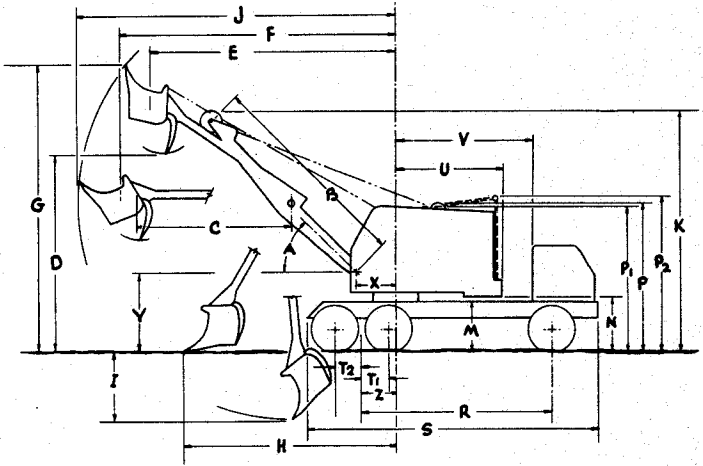
WE ARE CONSTANTLY IMPROVING OUR PRODUCTS AND THEREFORE RESERVE THE RIGHT TO CHANGE DESIGNS AND SPECIFICATIONS. FOR CERTIFIED DIMENSIONS, CONSULT FACTORY

LINK-BELT SPEEDER
 Link-Belt Speeder Cedar Rapids, Iowa
 Link-Belt Speeder (Canada), Ltd. Woodstock, Ontario

**LINK-BELT
SPEEDER**

Clearances - Specifications - Working Ranges HC-58B Zephyrcrane Shovel and Hoe

15 TON TRUCK MOUNTED CRANE (PCSA CLASS 10-60)
(Supersedes Flysheet CRF1065-1-62)



SHOVEL WORKING RANGES						
Dipper capacity, cubic yards (struck measure)					5/8
B—Boom length, center to center of pins					16' 0"
Effective boom length (center of boom foot pin to cable pitch line of peak sheave)					16' 9"
C—Dipper stick length, effective					12' 3"
Dipper stick length, over-all					13' 0"
BOOM ANGLE	A	60°	55°	50°	45°	40°
Maximum dumping height	D	18' 11"	17' 11"	16' 9"	15' 8"	14' 4"
Dumping radius max. height	E	15' 10"	17' 2"	18' 4"	19' 4"	20' 4"
Maximum dumping radius	F	19' 9"	20' 4"	20' 10"	21' 3"	21' 9"
Maximum cutting height	G	25' 9"	24' 7"	23' 5"	22' 1"	20' 7"
Maximum clean-up radius	H	14' 3"	14' 7"	14' 11"	15' 2"	15' 4"
Maximum digging depth	I	5' 0"	3' 11"	4' 4"	4' 10"	5' 2"
Maximum cutting radius	J	22' 7"	23' 1"	23' 7"	24' 1"	24' 6"
Boom clearance height	K	20' 9"	20' 0"	19' 3"	18' 3"	17' 3"
Radius of boom hinge pin	X		3' 1"		6' 1"	
Height of boom hinge pin	Y		3' 1"		6' 1"	

HOE WORKING RANGES			
Bucket capacity, cubic yards		5/8
Bucket cutting width		32 1/2"
Boom length	C	16' 6"	
Average sweep radius	D	9' 10"	
Height of hoe mast	E	14' 8"	
Maximum digging radius	F	29' 4"	
Maximum digging depth	G	16' 1"	
Radius beginning of dump	H	8' 8"	
Ground clearance beginning dump	I	10' 4"	
Clearance radius end of dump	J	21' 2"	
Ground clearance end of dump	K	16' 7"	
Over-all height end of dump	L	21' 7"	
Radius of boom hinge pin	X	3' 7"	
Height of boom hinge pin	Y	5' 5"	

① Dimension "G" shows maximum digging depth with 45° boom. The maximum "effective" digging depth will vary according to type of soil and excavation.

GENERAL DIMENSIONS COMMON TO BOTH SHOVEL AND HOE			
	SHOVEL	HOE	
Over-all width over tires			8' 0"
Over-all width with outriggers extended			12' 0"
Over-all height, top of ring gear plate	M	M1	3' 9"
Ground clearance under counterweight "A"	N	N	4' 2"
Minimum ground clearance			9"
Over-all height, retractable gantry lowered	P2	P	11' 7"
Over-all height, retractable gantry raised			14' 2"
Over-all height, low gantry	P	M	11' 6"
Cab clearance height	P1	M2	11' 2"
Truck wheelbase	R	R	14' 7"
Over-all truck length (rear outrigger removed)	S	S	20' 11"
Center rear axle to pivot of bogie	T1	T1	2' 0"
Center rear axle to pivot of bogie	T2	T2	2' 1"
Tailswing (counterweight "A")	U	U	8' 3"
Center line rotation to back of truck cab	V	V	9' 5"
Center line rotation to rear axle bogie	Z	O	2' 6"

HOE LIFTING CAPACITIES

These are maximum lifting capacities for the hoe when used for laying pipe. Two part hoist line used.

BOOM RADIUS	LIFTING CAPACITIES
12'	9,300 lbs.
15'	7,600 lbs.
20'	4,700 lbs.

③ Radius is measured from machine centerline of rotation to centerline of boom peak shaft. Capacities are based upon the hoe arm being in a vertical position.

BRIEF CARRIER SPECIFICATIONS

Heavy-duty all-welded frame, 9:00 x 20, 10-ply rating tires; single tires on front axle. 6 x 4 drive and 4-wheel air brakes. 10 speeds forward, 2 speeds reverse. Road speeds up to 44 m.p.h. International BD308 engine stripped develops 150 maximum brake horsepower at 3600 r.p.m. Turning radius right and left 32 feet. Removable front and rear outriggers with sliding beams.

BRIEF SPECIFICATIONS

SHOVEL			
Approximate working weight with low gantry, counterweight "A"		42,100 lbs.
Crowd speed		101 f.p.m.
Retract speed		146 f.p.m.
Swing speed		4.9 r.p.m.
Lagging	Line Pull	Line Speed	
9" hoist (rear)	12,000 lbs.	@ 134 f.p.m.	
HOE			
Approximate working weight with low gantry, counterweight "A"		42,150 lbs.
Swing speed		4.9 r.p.m.
Lagging	Line Pull	Line Speed	
9" inhaul (front)	12,400 lbs.	@ 134 f.p.m.	
11" hoist (rear)	9,950 lbs.	@ 162 f.p.m.	

LINK-BELT SPEEDER

Link-Belt Speeder
Cedar Rapids, Iowa

Link-Belt Speeder (Canada), Ltd.
Woodstock, Ontario

Printed in U.S.A.

Flysheet CRF1073-7-63

11863-62-8-15-63