

15/105DL

Articulating Crane Technical Specifications

15/105DL Lifting Capacities

15/105DL - 1 Hydraulic

7430 lb 3370 kg	5135 lb 2330 kg
14'-2" 4.3 m	20'-4" 6.2 m

15/105DL - 2 Hydraulic

7145 lb 3240 kg	4850 lb 2200 kg	3640 lb 1650 kg
14'-2" 4.3 m	20'-8" 6.3 m	27'-3" 8.3 m

15/105DL - 3 Hydraulic

6790 lb 3080 kg	4540 lb 2060 kg	3350 lb 1520 kg	2645 lb 1200 kg
14'-6" 4.4 m	20'-8" 6.3 m	27'-3" 8.3 m	34'-1" 10.4 m

15/105DL - 4 Hydraulic

6480 lb 2940 kg	4255 lb 1930 kg	3045 lb 1400 kg	2380 lb 1080 kg	1940 lb 880 kg
14'-10" 4.5 m	20'-10" 6.4 m	27'-7" 8.4 m	34'-5" 10.5 m	41'-8" 12.7 m

15/105DL - 5 Hydraulic

6195 lb 2810 kg	4010 lb 1820 kg	2845 lb 1290 kg	2140 lb 970 kg	1700 lb 770 kg	1435 lb 650 kg
15'-1" 4.6 m	21'-4" 6.5 m	27'-11" 8.5 m	34'-10" 10.6 m	42'-0" 12.8 m	48'-11" 14.9 m

15/105DL - 6 Hydraulic

5930 lb 2690 kg	3770 lb 1710 kg	2625 lb 1190 kg	1940 lb 880 kg	1500 lb 680 kg	1235 lb 560 kg	1060 lb 480 kg
15'-1" 4.6 m	21'-8" 6.6 m	28'-2" 8.6 m	35'-1" 10.7 m	42'-4" 12.9 m	49'-2" 15.0 m	56'-5" 17.2 m



Note: Crane appearance subject to change.

15/105DL Specifications

Outrigger Pad Diameter	
Crane Storage Height	7' 5" (2,250 mm)
Mounting Space ***	2' 8" (820 mm)
Rotational Torque	12,295 ft-lb (1.7 tm)
Rotation	400°
Optimum Pump Performance	13.2 gpm (50 L/min)
System Pressure	4,350 psi (300 bar)
Oil Reservoir Capacity	23.8 gal (90 L)
Outrigger Extension Span	
Standard (manual out / hydraulic down)	15' 2" (4,615 mm)
Weight	440 lb (200 kg)
Opt. 1 (manual out / hydraulic down)	18' 4" (5,590 mm)
Weight	518 lb (235 kg)
Opt. 2 (hydraulic out / hydraulic down)	21' 3" (6,470 mm)
Weight	660 lb (300 kg)

Minimum Chassis Specifications

Front Axle Rating (GAWR)	12,000 lb (5,445 kg)
Rear Axle Rating (GAWR)	21,000 lb (9,525 kg)
Resistance To Bending Moment	1,850,000 in-lb (213,145 kg-m)

15/105DL	1 - Hydraulic	2 - Hydraulic	3 - Hydraulic	4 - Hydraulic	5 - Hydraulic	6 - Hydraulic
Crane Rating*	104,880 ft-lb (14.5 tm)	101,260 ft-lb (14.0 tm)	98,370 ft-lb (13.6 tm)	95,475 ft-lb (13.2 tm)	92,580 ft-lb (12.8 tm)	90,410 ft-lb (12.5 tm)
Maximum Horizontal Reach	20' 4" (6.2 m)	27' 3" (8.3 m)	34' 1" (10.4 m)	41' 8" (12.7 m)	48' 11" (14.9 m)	56' 5" (17.2 m)
Maximum Vertical Reach	28' 7" (8.7 m)	35' 5" (10.8 m)	42' 4" (12.9 m)	49' 10" (15.2 m)	57' 1" (17.4 m)	64' 8" (19.7 m)
Maximum Capacity	13,470 lb (6,110 kg)	13,115 lb (5,950 kg)	12,520 lb (5,680 kg)	11,970 lb (5,430 kg)	11,465 lb (5,200 kg)	11,000 lb (4,990 kg)
Max Cap @ Max Reach	5,135 lb (2,330 kg)	3,640 lb (1,650 kg)	2,645 lb (1,200 kg)	1,940 lb (880 kg)	1,435 lb (650 kg)	1,060 lb (480 kg)
Crane Weight **	3,130 lb (1,420 kg)	3,440 lb (1,560 kg)	3,750 lb (1,700 kg)	4,045 lb (1,835 kg)	4,310 lb (1,955 kg)	4,520 lb (2,050 kg)
Hook Approach						
Vertical	9' 1" (2.76 m)	8' 11" (2.71 m)	8' 7" (2.62 m)	8' 4" (2.53 m)	8' 0" (2.44 m)	7' 9" (2.35 m)
Horizontal	2' 5" (0.74 m)	2' 7" (0.79 m)	2' 9" (0.84 m)	2' 11" (0.89 m)	3' 1" (0.94 m)	3' 3" (1.0 m)
Center of Gravity - Stored						
Vertical	2' 7" (785 mm)	2' 7" (800 mm)	2' 8" (820 mm)	2' 9" (835 mm)	2' 9" (850 mm)	2' 10" (860 mm)
Horizontal (C/L RotTo Bridge)	13.0" (330 mm)	12.8" (325 mm)	12.4" (315 mm)	12.0" (305 mm)	11.8" (300 mm)	11.0" (280 mm)

* Crane rating (ft-lb) is the rated load (lb) multiplied by the respective distance (ft) from centerline of rotation with all extensions retracted and the inner and outer booms in a horizontal position, per ANSI B30.22. ** Crane weight does not include outriggers. *** Maximum swing clearance radius required is 25" (620 mm) at 7'-10" (2390 mm).

© 2009 Iowa Mold Tooling Co., Inc. All Rights Reserved.



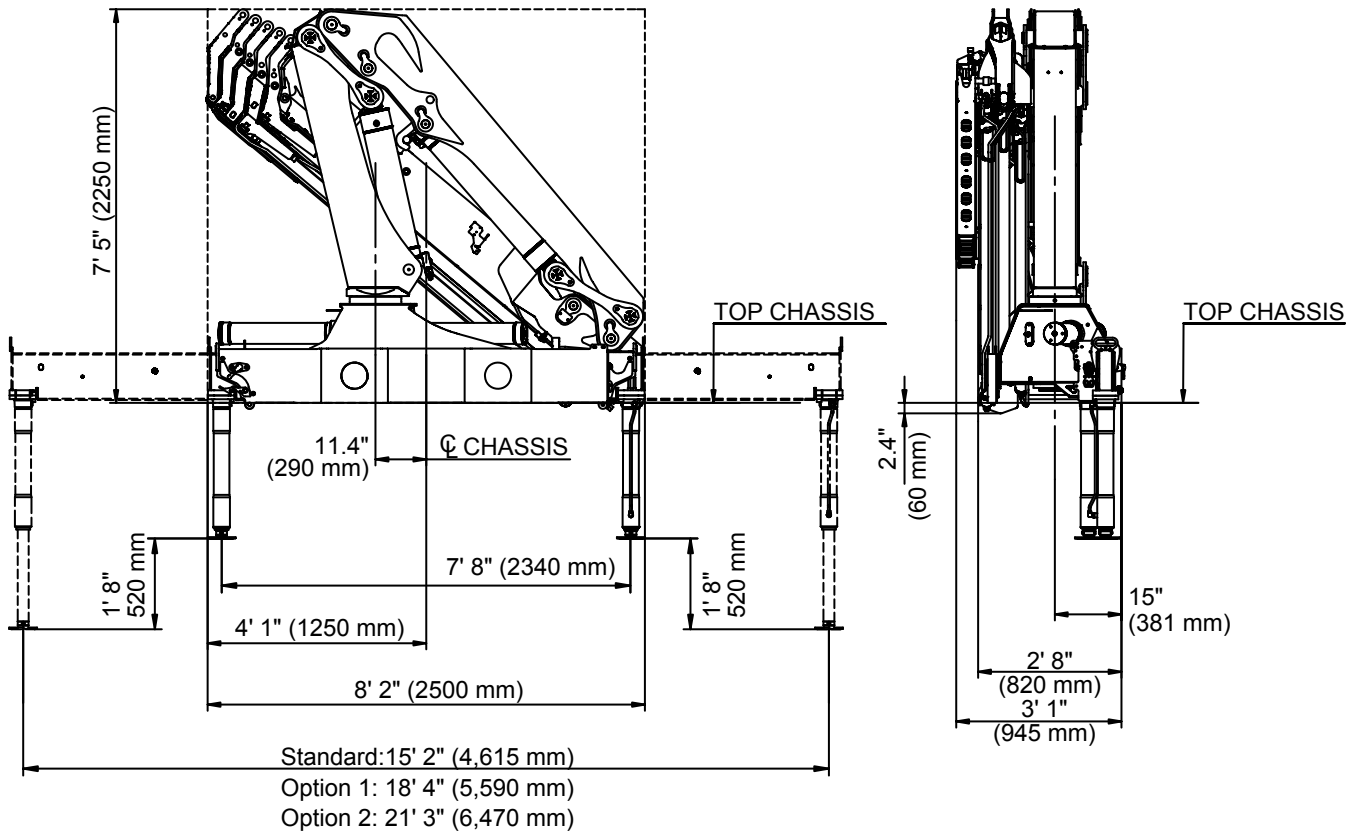
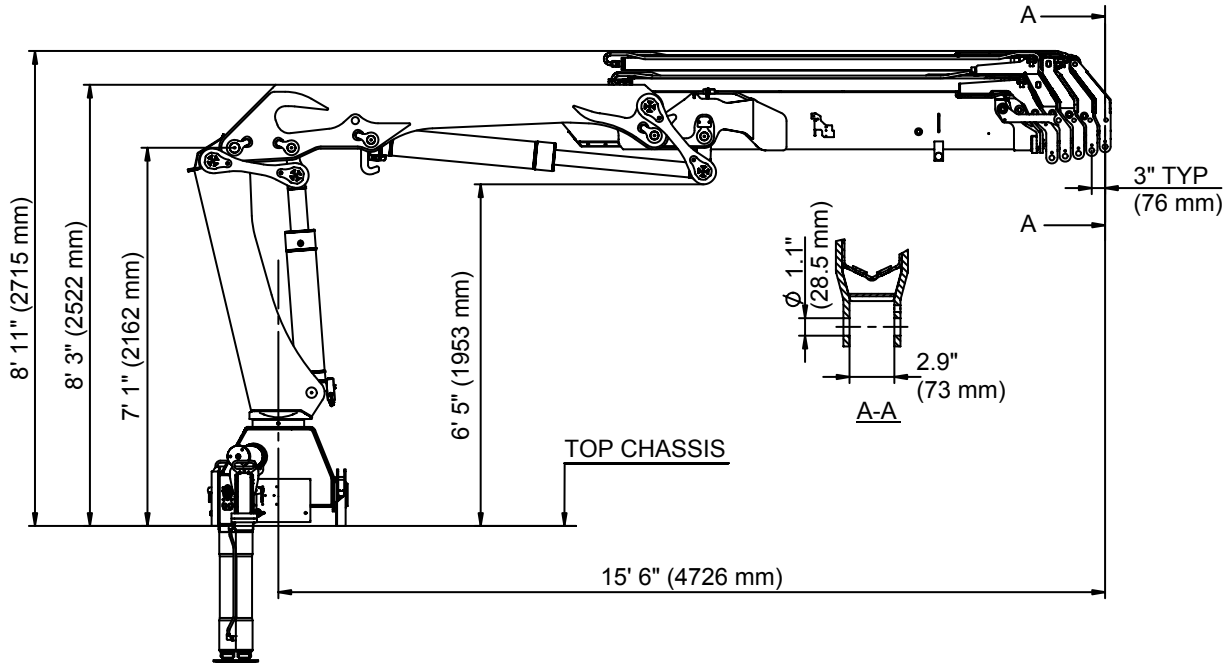
An Oshkosh Corporation Company

15/105DL Articulating Crane



An Oshkosh Corporation Company

Geometric Configurations



Iowa Mold Tooling Co., Inc.

500 Highway 18 West P.O. Box 189 Garner, Iowa 50438-0189
 800-247-5958 641-923-3711 Fax: 641-923-6063 www.imt.com