

# PK 10501

*Performance*

**PALFINGER CRANE**



THE IDEAL CRANE FOR MUNICIPAL DUTY



## A MIGHTY PARTNER

The PK 10501 *Performance* handles even the most difficult jobs reliably and efficiently. Amongst other things, it is supported by the High Power Lifting System (HPLS) which if required reduces the working speed and significantly increases the lifting capacity of the crane.

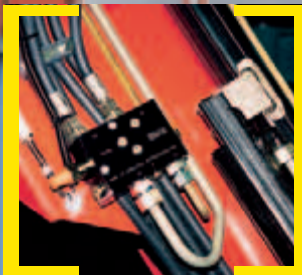
This PALFINGER product proves its strength both in the transport sector as well as in municipal duty. Various attachments widen the range of applications considerably and make the PK 10501 *Performance* a working unit for universal deployment.



# IDEAL FOR MULTI-TASK DUTY

## Return Oil Utilization

The high speed of the boom extension system is impressive. It results from the return oil utilization feature, which is installed as standard, and the generously dimensioned hydraulic pipes. This increases the operating speed by 30 per cent.



## Load-holding valves

They prevent the crane booms from dropping and are fitted as standard on the main boom cylinder, the extension boom cylinders, and the swivel cylinder. The valves are positioned in such a way that they are protected from being damaged.



## Central lubrication

For all bearings on the base frame.

## Advanced Package

- Radio remote control
- PALTRONIC 50
- Oil cooler
- External 100 l additional tank
- HPLS



# CONVINCES WITH GREAT LIFTING CAPACITY



## Hose equipment for accessories

This option provides the oil supply for accessories. The hoses are routed in compact hose trays and are therefore well protected.

## Internally routed oil ducts

The internally routed oil passages make it possible to have a compact boom design for the boom extension system and ensure perfect protection from damage.



## Extension Boom System

- The extension boom cylinders are guided on Jordal rails over guide blocks.
- Optimal height compensation of the extension cylinders.



## Large outrigger widths

The PK 10501 *Performance* can be fitted on all standard truck chassis. Three outrigger widths are possible: 3.3 m (10' 8") mechanical, 4.9 m (16' 1") mechanical or hydraulically, and 5.6 m (18' 4") hydraulically.

# QUICK AND EFFICIENT

## Max. lifting capacities

PK 10501 Performance			
hydraulic			
Max. lifting capacities		5700 kg	12570 lbs
Outreach	Capacity		
4.1 m	13' 5"	2470 kg	5450 lbs
5.6 m	18' 4"	1780 kg	3924 lbs

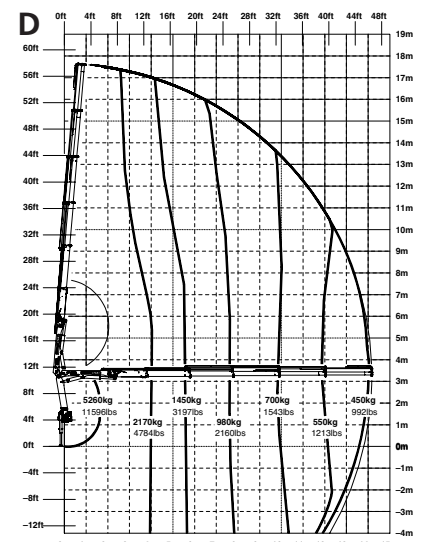
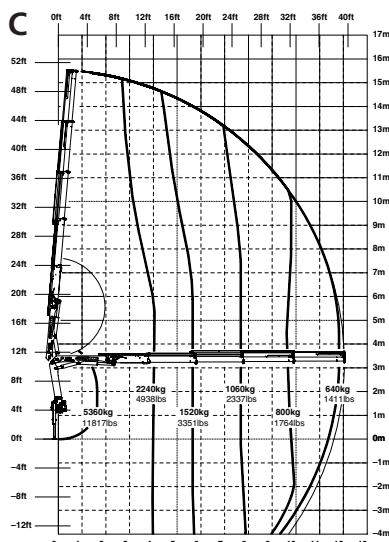
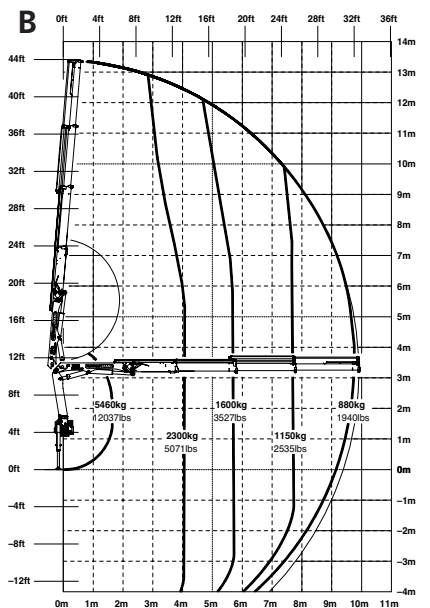
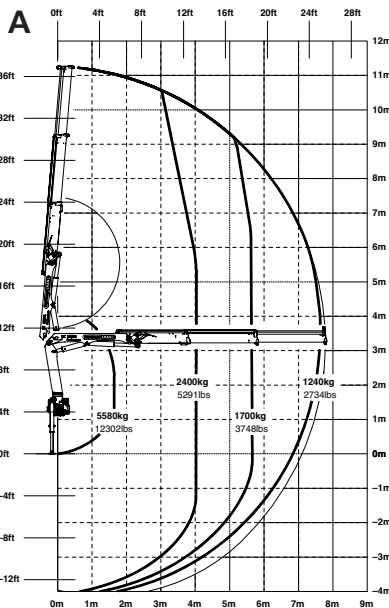
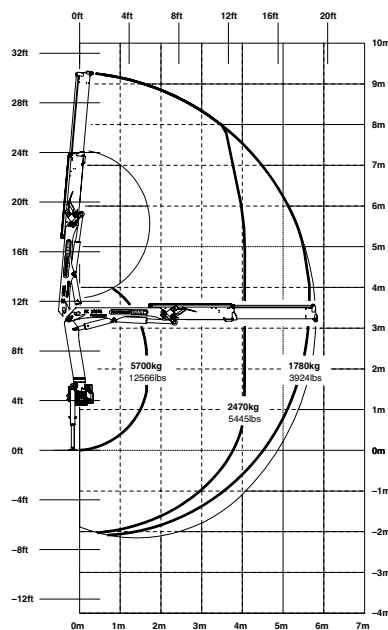
PK 10501 A Performance			
hydraulic			
Max. lifting capacities		5580 kg	12300 lbs
Outreach	Capacity		
4.1 m	13' 5"	2400 kg	5290 lbs
5.6 m	18' 4"	1700 kg	3750 lbs
7.6 m	24' 11"	1240 kg	2730 lbs

PK 10501 B Performance			
hydraulic			
Max. lifting capacities		5460 kg	12040 lbs
Outreach	Capacity		
4.1 m	13' 5"	2300 kg	5070 lbs
5.6 m	18' 4"	1600 kg	3530 lbs
7.6 m	24' 11"	1150 kg	2540 lbs
9.8 m	32' 2"	880 kg	1940 lbs
manual			
11.9 m	39' 1"	680 kg	1500 lbs
13.9 m	45' 7"	550 kg	1210 lbs
15.9 m	52' 2"	380 kg	840 lbs

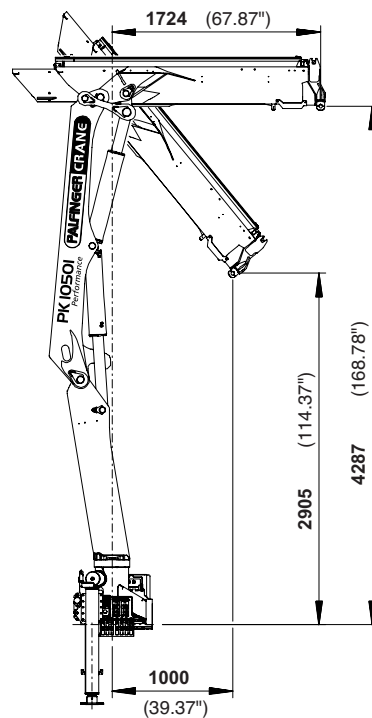
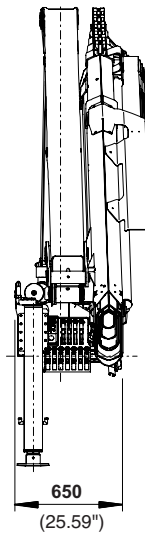
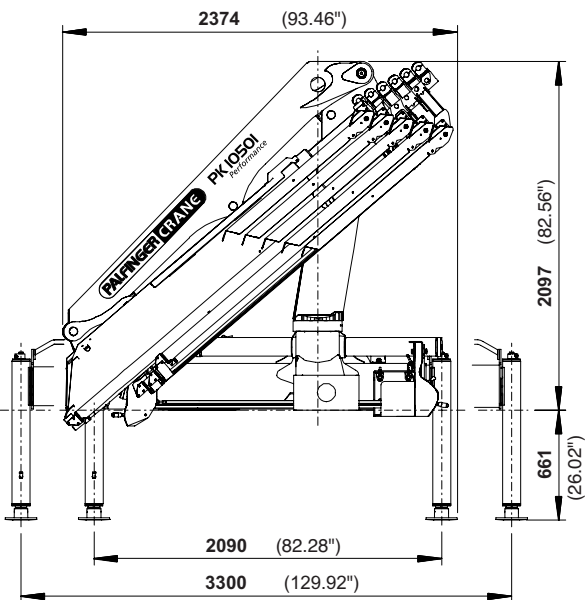
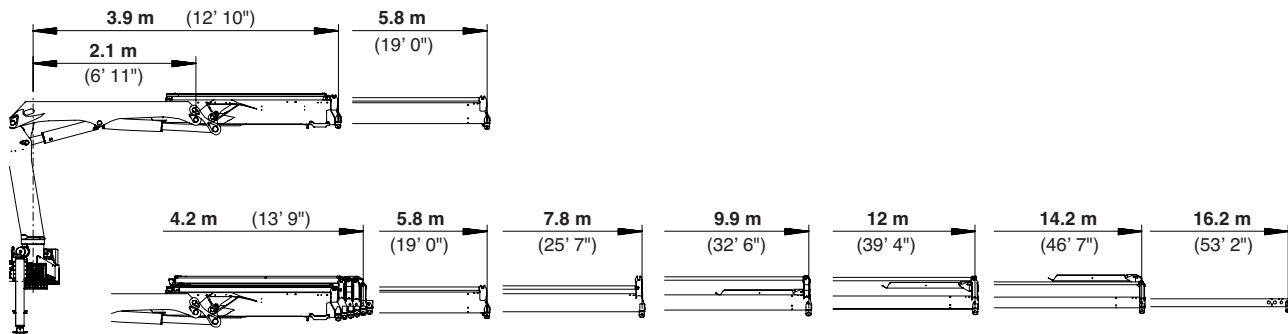
PK 10501 C Performance			
hydraulic			
Max. lifting capacities		5360 kg	11820 lbs
Outreach	Capacity		
4.1 m	13' 5"	2240 kg	4940 lbs
5.6 m	18' 4"	1520 kg	3350 lbs
7.6 m	24' 11"	1060 kg	2340 lbs
9.8 m	32' 2"	800 kg	1760 lbs
11.9 m	39' 1"	640 kg	1410 lbs
manual			
13.9 m	45' 7"	510 kg	1120 lbs
15.9 m	52' 2"	380 kg	840 lbs

PK 10501 D Performance			
hydraulic			
Max. lifting capacities		5260 kg	11600 lbs
Outreach	Capacity		
4.1 m	13' 5"	2170 kg	4780 lbs
5.6 m	18' 4"	1450 kg	3200 lbs
7.6 m	24' 11"	980 kg	2160 lbs
9.8 m	32' 2"	700 kg	1540 lbs
11.9 m	39' 1"	550 kg	1210 lbs
14.0 m	45' 11"	450 kg	990 lbs
manual			
16.0 m	52' 6"	370 kg	820 lbs

## PK 10501 Performance



# ENDURANCE AND TOP PERFORMANCE



## PK 10501 Performance

### Technical Specifications

Max. lifting moment	10.1 mt/99.0 kNm	72990 ft.lbs
Max. lifting capacity	5700 kg/55.9 kN	12570 lbs
Max. hydraulic outreach	14.2 m	46' 7"
Max. manual outreach	16.2 m	53' 2"
Slewing angle	400 °	

## PK 10501 Performance

### Standard crane

Slewing torque	1.2 mt/11.8 kNm	8700 ft.lbs
Outreach	5.8 m	19' 0"
Stabilizer spread standard	3.3 m	10' 9"
Stabilizer spread maximal	5.6 m	18' 4"
Fitting space required	0.65 m	2' 2"
Width folded	2.4 m	7' 9"
Max. operating pressure	330 bar	4785 psi
Recommended pump capacity with RC- and LS-system	from 45 l/min 9.9 imp.gal./min 11.9 US gal./min to 60 l/min 13.2 imp.gal./min 15.9 US gal./min	
Dead weight standard crane	1064 kg	2350 lbs

Applications shown in the leaflet do not always correspond to the standard specifications. Design and specification are subject to change without prior notice.

