

# TELESCOPIC CRAWLER CRANE

# KOBELCO

# TK750

**Max. Lifting Capacity: 75.0 metric ton**  
**Max. Boom Length: 30.1 m**

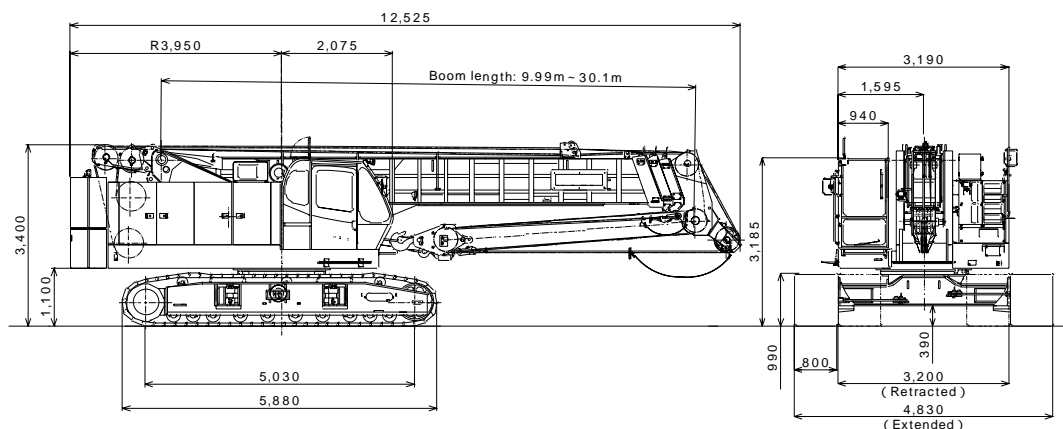
## S P E C I F I C A T I O N S

CRANE PERFORMANCE	
<b>Max. rated load</b>	
9.99 m boom	75.0 ton x 3.0 m (11-line)
16.7 m boom	36.0 ton x 4.5 m (6-line)
23.4 m boom	29.0 ton x 6.0 m (5-line)
30.1 m boom	18.5 ton x 8.0 m (4-line)
Aux. Sheave	7.0 ton (single-line)
<b>Main boom length</b>	9.99 m to 30.1 m
<b>Main hook height</b>	30.4 m
<b>Main hook operating radius</b>	27.8 m
<b>Line Speed</b>	
Main	120 m/min at 1st layer
Aux.	120 m/min at 1st layer
Third (Option)	100 m/min at 1st layer
<b>Rated Line Pull</b>	
Main	68.7 kN (7.0 ton)
Aux.	68.7 kN (7.0 ton)
Third (Option)	52.0 kN (5.3 ton)
<b>Boom telescoping speed</b>	125 sec/20.1 m
<b>Boom raising speed</b>	64 sec/0 to 83°
<b>Swing speed</b>	2.5 min <sup>-1</sup> (rpm)
BOOM STRUCTURE	
<b>Main boom</b>	Four section, box construction, 2nd and 3rd simultaneously telescoping, 4th independently telescoping
<b>Boom hoist device</b>	Direct forced type by double acting hydraulic cylinder (one)
<b>Boom telescoping device</b>	Direct forced type by double acting hydraulic cylinders (three)
<b>Load hoist device</b>	Independent 2 winch, disc type built-in reducer + disc type built-in motor (spring-set, hydraulically release disc type) Foot brake and spring-set, hydraulically release negative brake
<b>Swing device</b>	Hydraulic drive motor with planetary gear reduction with brake, swing neutral-free or neutral -brake select type

WIRE ROPE	
<b>Main winch</b>	22 dia. X 170 m, IWRC 6 x Fi (29) anti twist rope
<b>Aux. winch</b>	22 dia. X 75 m, IWRC 6 x Fi (29) anti twist rope
<b>Third. Winch (Option)</b>	18 dia. X 170 m, IWRC 6 x Ws (26) anti twist rope
<b>Hydraulic device</b>	4-pumps (2 variable plunger pumps + 2 gear pumps) + 4-pumps (2 variable plunger pumps + 2 gear pumps)
<b>Hydraulic oil tank</b>	860 liters
UPPERSTRUCTURE	
<b>Engine</b>	
Model	MITSUBISHI 6D24-TLE2A
Type	Water cooled, 4 cycle, 6 cyls, direct injection diesel with turbocharger, intercooler
Total displacement	11,945 cc
Max. output	235 kW/2,000 min <sup>-1</sup> (rpm)
Max. torque	1,245 N.m/1,400 min <sup>-1</sup> (127 kgf.m/1,400 rpm)
Fuel tank	400 liters
LOWERSTRUCTURE	
<b>Propel system</b>	Hydraulic motors, planetary reducer, direct drive, shoe-in type
<b>Travel speed</b>	1.9/1.2 km/h
<b>Gradeability</b>	40 % (21.8°)
OPERATING WEIGHT	
<b>Operating weight</b>	64.8 tons
<b>Ground pressure</b>	79.0 kPa (0.805 kgf/cm <sup>2</sup> )

## GENERAL DIMENSIONS

Unit: mm



**KOBELCO CONSTRUCTION MACHINERY CO., LTD.**

# LIFTING CAPACITY

Rated loads in metric tons for 360° area with 15.0 ton counterweight

Unit: metric ton

Boom length (m)	9.99	16.7	23.4	30.1	Boom length (m)
3.0	75.00	36.00	29.00	18.50	3.0
3.5	60.00	36.00	29.00	18.50	3.5
3.7	56.00	36.00	29.00	18.50	3.7
4.0	51.00	36.00	29.00	18.50	4.0
4.5	44.50	36.00	29.00	18.50	4.5
5.0	39.50	35.00	29.00	18.50	5.0
5.5	34.50	33.00	29.00	18.50	5.5
6.0	30.50	29.50	29.00	18.50	6.0
6.5	28.20	27.00	26.10	18.50	6.5
7.0	26.00	24.50	23.20	18.50	7.0
7.5	23.75	22.50	21.60	18.50	7.5
7.7	22.35	21.65	20.90	18.50	7.7
8.0		20.50	20.00	18.50	8.0
8.5		18.80	18.45	17.00	8.5
9.0		17.15	16.95	15.50	9.0
9.5		15.75	15.55	14.50	9.5
10.0		14.55	14.35	13.50	10.0
11.0		12.50	12.30	12.25	11.0
12.0		10.90	10.70	11.00	12.0
13.0		9.55	9.35	9.90	13.0
14.0		8.50	8.25	8.80	14.0
14.4		8.10	7.85	8.40	14.4
15.0			7.30	7.85	15.0
16.0			6.50	7.05	16.0
17.0			5.80	6.35	17.0
18.0			5.25	5.75	18.0
19.0			4.70	5.20	19.0
20.0			4.25	4.80	20.0
21.0			3.85	4.30	21.0
21.1			3.80	4.25	21.1
22.0				3.95	22.0
23.0				3.60	23.0
24.0				3.30	24.0
25.0				3.00	25.0
26.0				2.70	26.0
27.0				2.40	27.0
27.8				2.25	27.8
Min. boom angle	0°	0°	0°	0°	Min. boom angle

# LIFTING CAPACITY

Rated loads in metric tons for 360° area with 6.0 ton counterweight (Optional setting)

Unit: metric ton

Boom length (m)	9.99	16.7	23.4	30.1	Boom length (m)
3.0	75.00	36.00	29.00	18.50	3.0
3.5	60.00	36.00	29.00	18.50	3.5
3.7	56.00	36.00	29.00	18.50	3.7
4.0	51.00	36.00	29.00	18.50	4.0
4.5	41.05	36.00	29.00	18.50	4.5
5.0	34.05	33.20	29.00	18.50	5.0
5.5	28.60	28.20	27.60	18.50	5.5
6.0	24.60	24.20	23.95	18.50	6.0
6.5	21.45	21.05	20.80	18.50	6.5
7.0	18.95	18.55	18.30	18.50	7.0
7.5	16.90	16.50	16.30	16.90	7.5
7.7	16.20	15.75	15.55	16.25	7.7
8.0		14.80	14.60	15.30	8.0
8.5		13.35	13.15	13.85	8.5
9.0		12.15	11.95	12.60	9.0
9.5		11.10	10.85	11.50	9.5
10.0		10.15	9.95	10.55	10.0
11.0		8.60	8.40	9.00	11.0
12.0		7.35	7.15	7.75	12.0
13.0		6.35	6.15	6.75	13.0
14.0		5.55	5.30	5.90	14.0
14.4		5.25	5.00	5.55	14.4
15.0			4.60	5.15	15.0
16.0			4.00	4.55	16.0
17.0			3.50	4.00	17.0
18.0			2.95	3.55	18.0
19.0			2.50	3.15	19.0
20.0			2.05	2.70	20.0
21.0			1.75	2.35	21.0
21.1			1.70	2.30	21.1
22.0				2.00	22.0
23.0				1.70	23.0
24.0				1.40	24.0
25.0				1.15	25.0
Min. boom angle	0°	0°	0°	27.3°	Min. boom angle

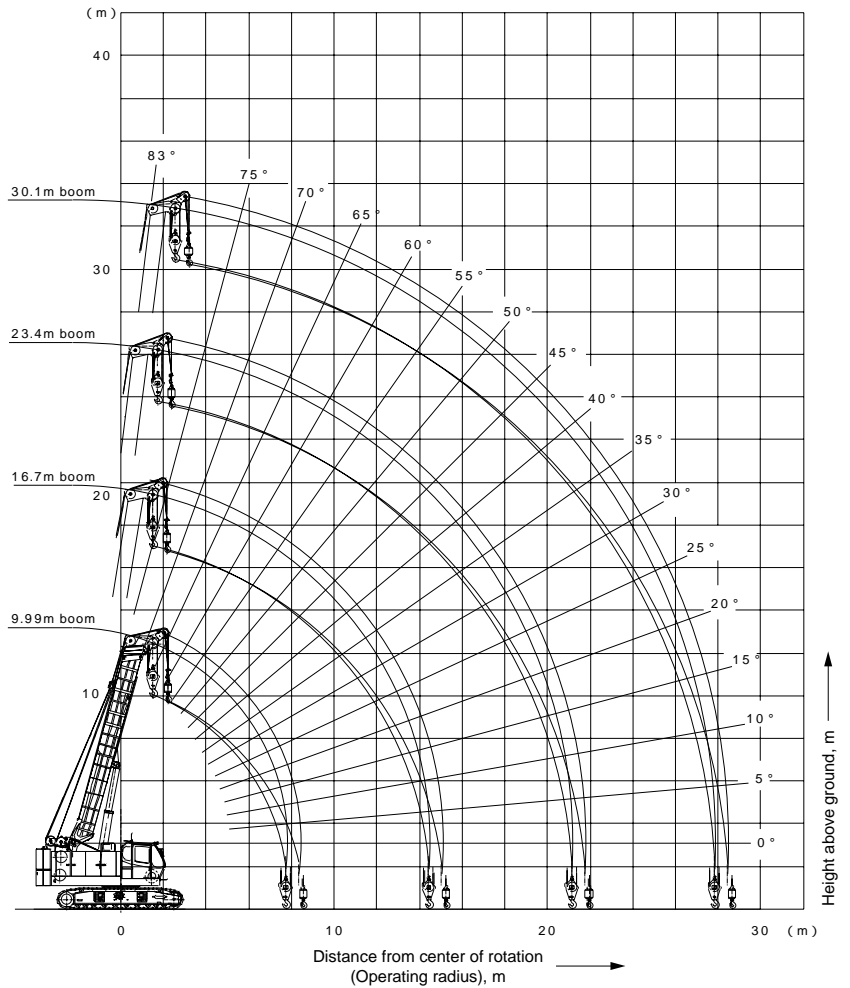
# LIFTING CAPACITY

Rated loads in metric tons for 360° area without counterweight (Optional setting)

Unit: metric ton

Boom length (m)		9.99	16.7
Working radius (m)	3.0	30.00	20.00
	3.5	30.00	20.00
	3.7	30.00	20.00
	4.0	30.00	20.00
	4.5	30.00	20.00
	5.0	24.50	20.00
	5.5	20.45	20.00
	6.0	17.45	17.05
	6.5	15.10	14.75
	7.0	13.25	12.90
	7.5	11.75	11.35
	7.7	11.20	10.80
	8.0		10.10
	8.5		9.05
	9.0		8.10
	9.5		7.35
10.0		6.65	
11.0		5.50	
12.0		4.60	
13.0		3.85	
14.0		3.25	
14.4		3.05	
Min. boom angle		0°	0°

# WORKING RANGES



## Notes:

- Rated load do not exceed 78% of the tipping loads with machine set horizontally on a firm and level ground, satisfy the specified stability over the front, and include weight of hook block(s) and other handling accessories. Ratings shown in   are based on the machine's structural strength, and others are determined by the machine's stability.

Hooks	75-ton	32-ton	7-ton	7-ton (ball hook)
Weight	800 kg	500 kg	160 kg	60 kg

Note: 5-ton ball hook is option.

- Rated loads shown are based on freely suspended loads and make no allowance for such factors as wind effect on lifted load, ground conditions out-of-level. Operating speeds or any other condition that could be detrimental to the safe operation of this equipment, the operator, therefore, has the responsibility to judge the existing conditions and reduce lifted loads and operating speeds accordingly.
- Operating radius is the horizontal distance from centerline of rotation to a vertical line through the center of gravity the load. Operating radius given in the charts allow for loaded boom deflection. Always operate the machine on the basis of actual operating radius.
- Both crawlers should be fully extended.
- The ratings of the auxiliary sheave are the same as the main boom ratings, but should not exceed 7,000 kg. Ratings of the auxiliary sheave are calculated by deducting from the main boom ratings 75 ton hook weight (800 kg) with the main boom extended ranging from 9.99 m to 16.7 m, and 32 ton hook weight (500 kg) with the main boom extended over 16.7m up to its maximum length.

- The main boom ratings shall be applied to the third drum ratings, but the jib ratings shall not exceed 31,800 kg.
- To determine load ratings that fall between those shown in the charts, proceed as follows:
  - For boom lengths not listed use rating for next longer boom length or next shorter boom length, whichever is smaller.
  - For load radii not shown, use rating for next larger radius.
- At radii and boom lengths where no ratings are shown on chart, operation is not intended or approved.
- Standard hoist reevings are shown bellow. Rated single-line pull must not exceed 7,000 kg.

Boom length	9.99 m	16.7 m	23.4 m	30.1 m
Hook	75-ton		32-ton	
No. of reeving	11	6	5	4

- Third drum hoist reevings are shown bellow. Rated single-line pull must not exceed 5,300 kg.

Boom length	9.99 m	16.7 m	23.4 m	30.1 m
Hook	75-ton		32-ton	
No. of reeving	6	6	4	4

- In order to prevent a load from falling down to mistake of operation, do not use free-fall in crane operation.

## STANDARD EQUIPMENT

<b>Upper structure/Lower structure</b>
Counterweight: 15.0 ton (6.0 ton + 9.0 ton)
800 mm shoe crawlers
165G51 battery
Electric hand throttle grip
Variable main/aux. speed controller
Side deck (for cab): 300 mm (W) x 970 mm (L)
Anti-slip sheet
Step (equipped on crawlers)
Tools (for routine maintenance)
Lubrication device
Tool box (equipped on right-side guard)
Three front working lights
Two back mirrors
<b>Cab</b>
Air conditioner
Convenient compartment
Cup holder
AM/FM Radio
Ashtray
Cigarette lighter
Intermittent windshield wiper with window washer (roof, front and lower front window)
Sun visor
Roof blind
Tinted glass
Floor mat (cloth)
Foot pedal cover (rubber)
Shoe tray
<b>Safety Device</b>
Over-load prevention device (auto stop function)
Release prevention key for hook over-hoist prevention device
LCD Multi-display (shows gauges and warning signs)
Hook over-hoist auto-stop device
Operating zone limit device
Safety lever lock
Lever lock switch (main, aux., boom hoist, and telescoping)
Propel lever lock
Manual drum safety pawl (main, aux. and boom hoist)
Negative brake in lever neutral-position
Service brake pedal lock (main, aux.)
Lamp for neutral-free/brake select switch (main, aux.)
Neutral-free/brake select switch (main, aux.)
Neutral brake release prevention key (main, aux.)
Brake activating device for engine stop
Hydraulically safety valve
Boom telescoping default operation prevention device
Boom telescoping safety device
Boom hoist safety device
Sling wire lock
Swing lock pin
Swing flashers
Swing warning buzzer
Voice alarm for travel/swing
Level gauge

## OPTIONAL EQUIPMENT

Third drum: wire rope 18 dia. X 170 m, without free-fall
4-spool valve: Max. discharge pressure 17.2 MPa (175 kgf/cm <sup>2</sup> ) Max. discharge flow 40 lites/min
Outlet for Auger: Max. output 145 kW (200 PS) Max. discharge pressure 30.0 MPa (305 kgf/cm <sup>2</sup> ) Max. discharge flow 425 lites/min (with oil flow select switch)
Hydraulic tagline: 10 dia. x 45 m
Lifting capacity set: insert counterweight/without counterweight
Swing neutral brake: cannot select swing neutral free
7-ton light hook: 60 kg
Counterweight self-removal device
Trans-lifter
Foot acceleration: right hand
Boom hoist pedal: left hand
Boom hoist pedal: right hand (not available to equip with foot acceleration)
Engine rpm fix switch: 4-steps
Cab roof guard
Cab front upper/lower guard
Side catwalk (without handrail): 300 mm (W) x 3,710 mm (L) - right hand/ 4,090 mm (L) - left hand
Color monitoring camera (backward) with monitor
Monitoring camera for main/aux. with lighting
Overload alarm lamp (3 colors, square shape)
One way call
Electric fuel pump
Fire extinguisher
Electric fan

**Note:** Due to our policy of continual product improvements all designs and specifications are subject to change without advance notice.

### **KOBELCO CONSTRUCTION MACHINERY CO., LTD.**

17-1, Higashi-Gotanda 2-chome, Shinagawa-ku, TOKYO, 141-8626 JAPAN  
Tel: ++81 (0) 3-5789-2121 Fax: ++81 (0) 3-5789-2134